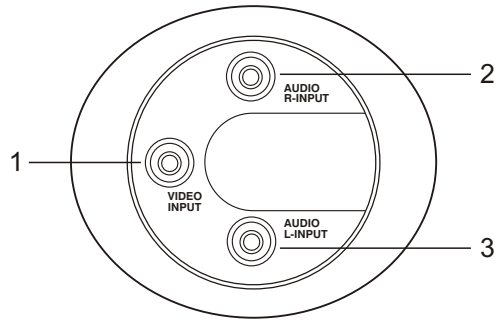


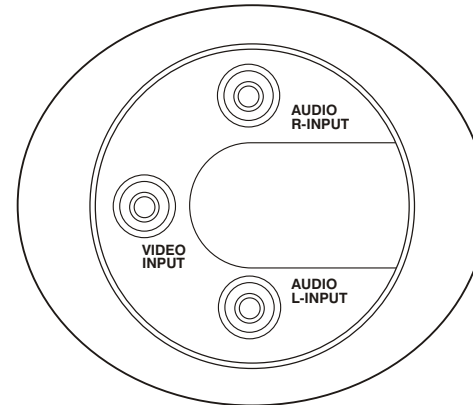
## Description of GCS (Game Control Station)



- 1. Video Input**
  - To insert the video game player Video source into this jack for viewing the Video Game Source.
- 2. Audio L Input**
  - To insert the video game player Audio L source into this jack for listening the Video Game Source.
- 3. Audio R Input**
  - To insert the video game player Audio R source into this jack for listening the Video Game Source.



## GCS Game Control Station



## Owner's Manual

128-6056

# Installation from SDB to GCS

## OPTIONAL

