

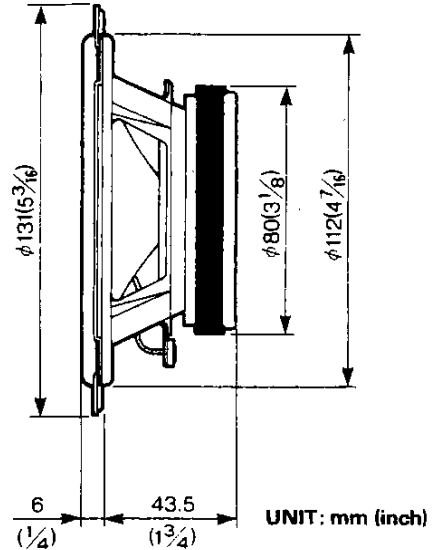
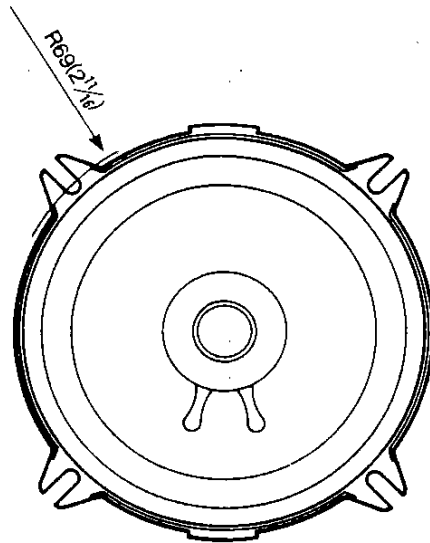
KFC-136E

SERVICE MANUAL

KENWOOD




©1988-12 PRINTED IN JAPAN
B51-3770-00(B)1107

EXTERNAL VIEW



COPY

PARTS INCLUDED

-  4.5m(15ft)..... X2
-  φ4-20(3/4-3/4)..... X8
-  X8

SPECIFICATIONS

- Speaker.....13cm(5 1/4in) Water proof treatment
cone type
167g(5.9oz) Magnet
- Peak input power.....50 Watts
- Frequency Response.....60Hz ~ 20,000Hz
- Sensitivity.....91dB/W at 1m
- Impedance.....4 ohms
- Weight per speaker.....0.55kg(1 lb 3 oz)/pc

We follow a policy of advancements in development.
For this reason specifications may be changed without notice.

PARTS LIST

★ New parts
Parts without **Parts No.** are not supplied.
Les articles non mentionnés dans le **Parts No.** ne sont pas fournis.
Teile ohne **Parts No.** werden nicht geliefert.

Ref No.	New Parts	Parts No.	Description
		B46-0100-10	WARRANTY CARD
	★	E30-1237-08	CORD SET
	★	N99-1088-08	SCREW SET
	★	T07-0144-08	SPEAKER