



A KOHLER COMPANY

CARTHAGE™

# KITCHEN SINK 11445-NA

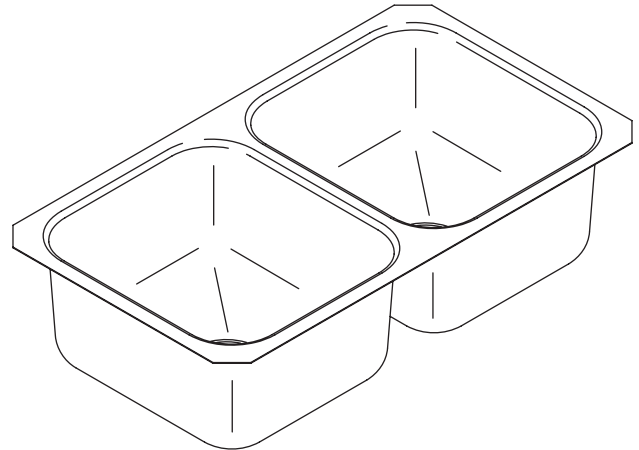
## Features

- *SilentShield™* sound deadening
- *Satin finish*
- *18-gauge stainless steel*
- *One-piece steel construction, no center weld*
- *Undermount rimless design*
- *32" (81.3 cm) x 18" (45.7 cm) x 8-9/16" (21.7 cm)*

## Codes/Standards Applicable

Specified model meets or exceeds the following:

- *ASME A112.19.3*
- *CSA B45*
- *IAPMO/cUPC*



## Colors/Finishes

- NA: None applicable

### Accessories:

- NA: None applicable

## Specified Model

| Model    | Description  | Colors/Finishes             |
|----------|--------------|-----------------------------|
| 11445-NA | Kitchen sink | <input type="checkbox"/> NA |

## SterlingPlumbing.com

Visit us online for fixture color choices, detailed product information, color photos, installation instructions, care guides, and warranties. Sterling offers additional lines of plumbing products to complement the Sterling product you've chosen. Sign up for the Sterling e-newsletter to learn more about our latest product innovations. You may also reach us by calling the Sterling Answer Center from within the USA at 1-888-STERLING in addition to consulting with your local dealer.

# CARTHAGE™

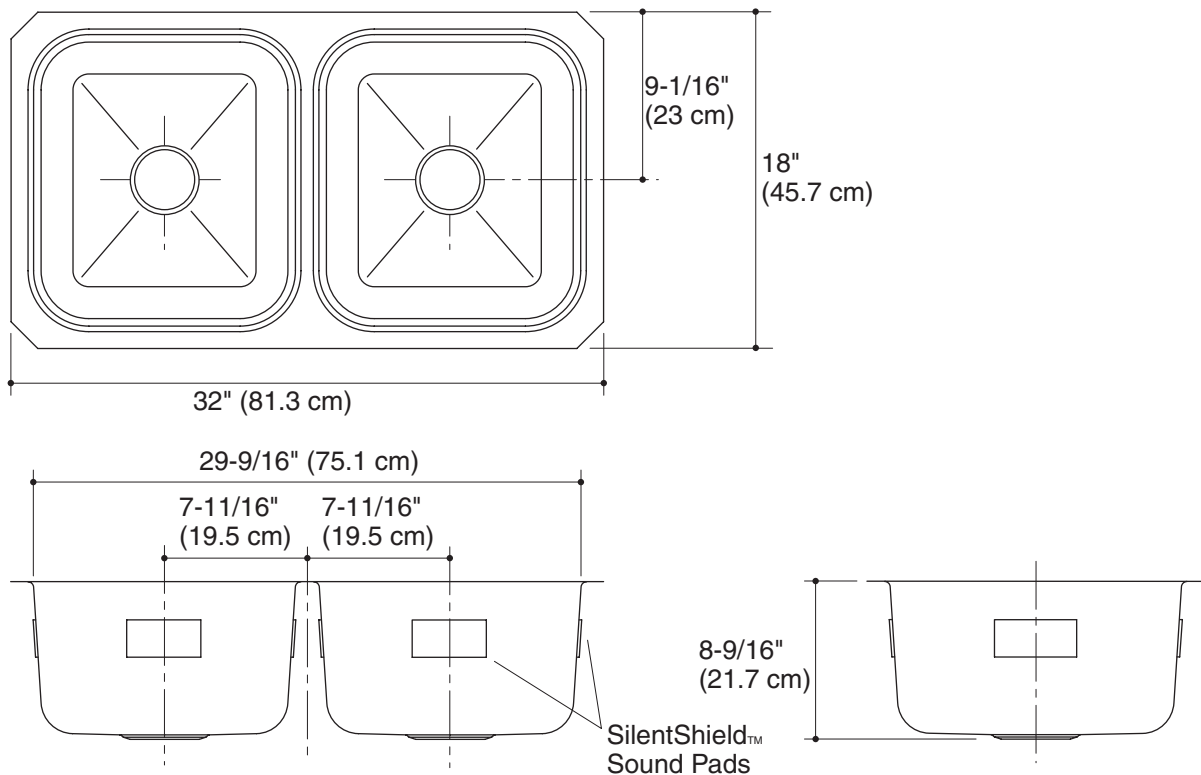
## Technical Information

|   |                                      |
|---|--------------------------------------|
| Fixture*:                                       |                                      |
| Basin area                                      | 14-1/16" (35.7 cm) x 15-3/4" (40 cm) |
| Drain hole                                      | 3-5/8" (9.2 cm) D.                   |
| * Approximate measurements for comparison only. |                                      |
| Included Components:                            |                                      |
| Hardware kit                                    | 91915                                |
| Cut-out template                                | 1041962-7                            |

## Installation Notes

Install this product according to the installation guide.

Use the supplied cut-out template to select either a hidden or exposed rim.



## Product Diagram