

2004 SONY MOBILE PRODUCT GUIDE



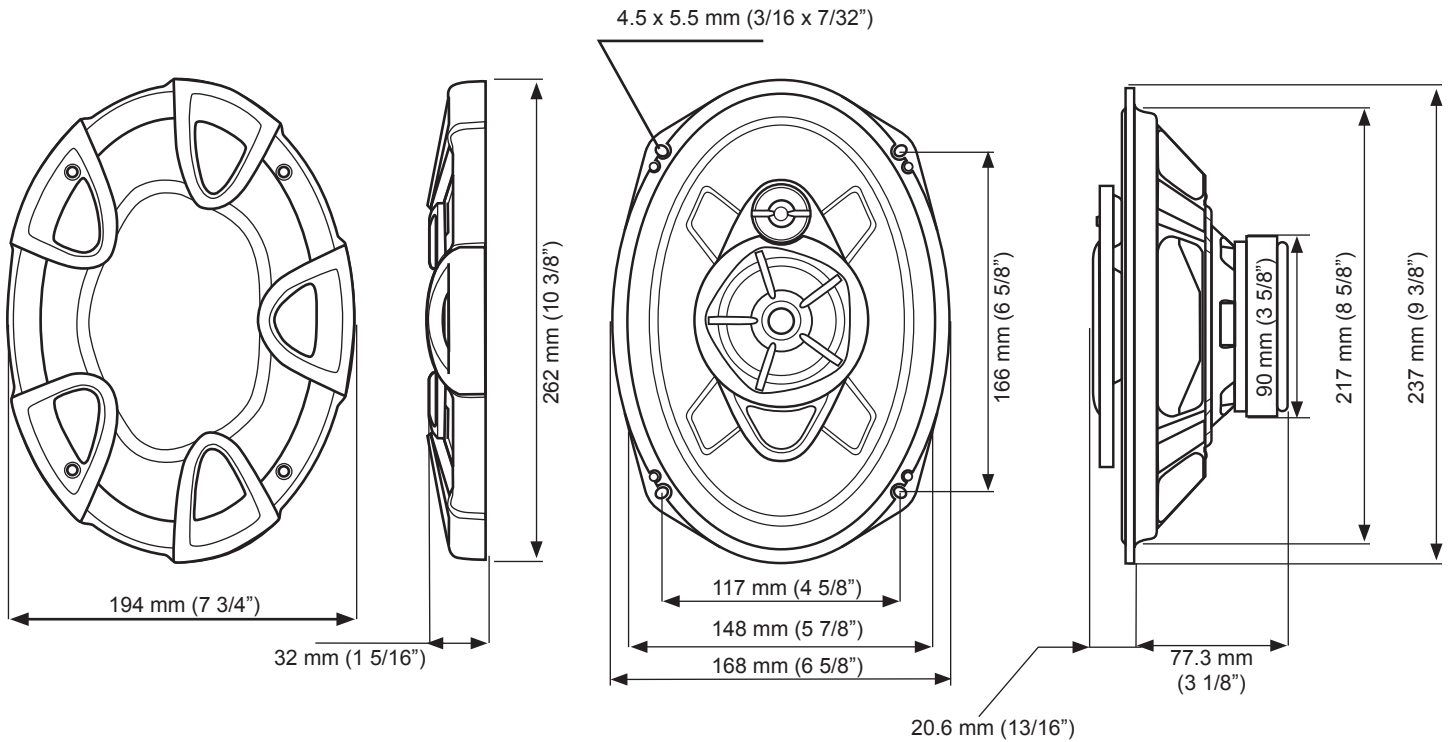
- 6 x 9" HOP woofer cone
- 2-9/16" Nano-fine mid
- 1" balanced dome tweeter
- 350W peak power (100W RMS)
- Flexible mounting options

XS-V6935X 3-Way Speaker

Specifications

Speaker	Coaxial 3-way
	Woofer 16 x 24 cm (6 3/8 x 9 1/2 in.) cone type
	Midrange 6.6 cm (2 5/8 in.) cone type
	Tweeter 2.5 cm (1 in.) balance dome type
Peak Power	350 watts
Rated Power	100 watts
Impedance	4 ohms
Sensitivity	92 dB/W/m
Frequency response	27 - 30,000 Hz
Mass	Approx. 1,330 g (2 lb 15 oz) per speaker

Dimensions



Design and Specifications subject to change without notice.

SONY