

# INSTALLATION GUIDE

**AXIS P5532-E PTZ Dome Network Camera**

**AXIS P5534-E PTZ Dome Network Camera**

ENGLISH

FRANÇAIS

DEUTSCH

ITALIANO

ESPAÑOL

## Legal Considerations

Video and audio surveillance can be prohibited by laws that vary from country to country. Check the laws in your local region before using this product for surveillance purposes.

This product includes one (1) H.264 decoder license. To purchase further licenses, contact your reseller.

## Trademark Acknowledgments

Apple, Boa, Bonjour, Ethernet, Internet Explorer, Linux, Microsoft, Mozilla, Netscape Navigator, OS/2, Real, SMPTE, QuickTime, UNIX, Windows, WWW are registered trademarks of the respective holders. Java and all Java-based trademarks and logos are trademarks or registered trademarks of Sun Microsystems, Inc. in the United States and other countries. Axis Communications AB is independent of Sun Microsystems Inc. UPnP™ is a certification mark of the UPnP™ Implementers Corporation.


## Electromagnetic Compatibility (EMC)

This equipment generates, uses and can radiate radio frequency energy and, if not installed and used in accordance with the instructions, may cause harmful interference to radio communications. However, there is no guarantee that interference will not occur in a particular installation.

If this equipment does cause harmful interference to radio or television reception, which can be determined by turning the equipment off and on, the user is encouraged to try to correct the interference by one or more of the following measures: Re-orient or relocate the receiving antenna. Increase the separation between the equipment and receiver. Connect the equipment to an outlet on a different circuit to the receiver. Consult your dealer or an experienced radio/TV technician for help. Shielded (STP) network cables must be used with this unit to ensure compliance with EMC standards.

**USA** – This equipment has been tested and found to comply with the limits for a Class B computing device pursuant to Subpart B of Part 15 of FCC rules, which are designed to provide reasonable protection against such interference when operated in a commercial environment. Operation of this equipment in a residential area is likely to cause interference, in which case the user at his/her own expense will be required to take whatever measures may be required to correct the interference.

**Canada** – This Class B digital apparatus complies with Canadian ICES-003.

**Europe** –  This digital equipment fulfills the requirements for radiated emission according to limit B of EN55022, and the requirements for immunity according to EN55024 residential and commercial industry.

**Japan** – This is a class B product based on the standard of the Voluntary Control Council for Interference from Information Technology Equipment (VCCI). If this is used near a radio or television receiver in a domestic environment, it may cause radio interference. Install and use the equipment according to the instruction manual.

**Australia** – This electronic device meets the requirements of the Radio communications (Electromagnetic Compatibility) Standard AS/NZS CISPR22:2002.

**Korea** – Class B: As this equipment has obtained EMC registration for household use, it can be used in any area including residential areas.

## Safety

Complies to EN 60950-1 (IEC 60950-1), Safety of Information Technology Equipment.

## Equipment Modifications

This equipment must be installed and used in strict accordance with the instructions given in the user documentation. This equipment contains no user-serviceable components. Unauthorized equipment changes or modifications will invalidate all applicable regulatory certifications and approvals.

## Liability

Every care has been taken in the preparation of this document. Please inform your local Axis office of any inaccuracies or omissions. Axis Communications AB cannot be held responsible for any technical or typographical errors and reserves the right to make changes to the product and documentation without prior notice. Axis Communications AB makes no warranty of any kind with regard to the material contained within this document, including, but not limited to, the implied warranties of merchantability and fitness for a particular purpose. Axis Communications AB shall not be liable nor responsible for incidental or consequential damages in connection with the furnishing, performance or use of this material.

## RoHS

This product complies with both the European RoHS directive, 2002/95/EC, and the Chinese RoHS regulations, ACPEIP.



## WEEE Directive

The European Union has enacted a Directive 2002/96/EC on Waste Electrical and Electronic Equipment (WEEE Directive). This directive is applicable in the European Union member states. The WEEE marking on this product (see right) or its documentation indicates that the product must not be disposed of together with household waste. To prevent possible harm to human health and/or the environment, the product must be disposed of in an approved and environmentally safe recycling process. For further information on how to dispose of this product correctly, contact the product supplier, or the local authority responsible for waste disposal in your area. Business users should contact the product supplier for information on how to dispose of this product correctly. This product should not be mixed with other commercial waste.



## Support

Should you require any technical assistance, please contact your Axis reseller. If your questions cannot be answered immediately, your reseller will forward your queries through the appropriate channels to ensure a rapid response. If you are connected to the Internet, you can:

- download user documentation and firmware updates
- find answers to resolved problems in the FAQ database. Search by product, category, or phrases
- report problems to Axis support by logging in to your private support area

# Safeguards

Please read through this Installation Guide carefully before installing the product. Keep the Installation Guide for further reference.

## CAUTION!

- When transporting the Axis product, use the original packaging or equivalent to prevent damage to the product.
- Avoid exposing the Axis product to vibration, shocks or heavy pressure and do not install the camera on unstable brackets, unstable or vibrating surfaces or walls, since this could cause damage to the product.
- Only use handtools when installing the Axis product, the use of electrical tools or excessive force could cause damage to the product.
- Do not use chemicals, caustic agents, or aerosol cleaners. Use a damp cloth for cleaning.
- Only use accessories and spare parts provided or recommended by Axis.
- Do not attempt to repair the product by yourself, contact Axis or your Axis reseller for service matters.

## IMPORTANT!

- This Axis product must be used in compliance with local laws and regulations.

## Battery replacement

This Axis product uses a 3.0V CR2032 Lithium battery as the power supply for its internal real-time clock (RTC). Under normal conditions this battery will last for a minimum of 5 years. Low battery power affects the operation of the RTC, causing it to reset at every power-up. A log message will appear when the battery needs replacing. The battery should not be replaced unless required!

If the battery does need replacing, please contact [www.axis.com/techsup](http://www.axis.com/techsup) for assistance.

- Danger of Explosion if battery is incorrectly replaced.
- Replace only with the same or equivalent battery, as recommended by the manufacturer.
- Dispose of used batteries according to the manufacturer's instructions.

## Cleaning of dome cover

- Be careful not to scratch or damage the dome cover. Do not clean a dome cover that looks clean to the eye and never polish the surface. Excessive cleaning can damage the surface.
- For general cleaning of a dome cover it is recommended to use a non-abrasive, solvent-free neutral soap or detergent with water and a soft cloth. Rinse well with clean lukewarm water. Dry with a soft cloth to prevent water spotting.
- Never use harsh detergents, gasoline, benzene or acetone etc. and avoid cleaning in direct sunlight or at elevated temperatures.



# AXIS P5532-E/AXIS P5534-E Installation Guide

This installation guide provides instructions for installing an AXIS P5532-E/AXIS P5534-E PTZ Dome Network Camera on your network. For all other aspects of using the product, please see the User's Manual, available on the CD included in this package, or from [www.axis.com](http://www.axis.com)

## Installation steps

1. Check the package contents against the list below.
2. Hardware overview. See page 6.
3. Install the hardware. See page 7.
4. Assign an IP address. See page 11.
5. Set the password. See page 14.

**Important!**

This product must be used in compliance with local laws and regulations.

## 1 Package contents

Item	Models/variants/notes
Network camera	AXIS P5532-E/AXIS P5534-E 60Hz/50Hz
Dome covers	Clear transparent cover (pre-mounted) Smoked transparent cover
High PoE Midspan	AXIS T8123 including power cable (country specific)
RJ45 connector	IP66 rated network connector
Sunshield	Plastic protective cover, including screws
CD	AXIS Network Video Product CD, including product documentation, installation tools and other software
Printed materials	AXIS P5532-E Installation Guide (this document) Axis Warranty Document Extra serial number labels (2x)

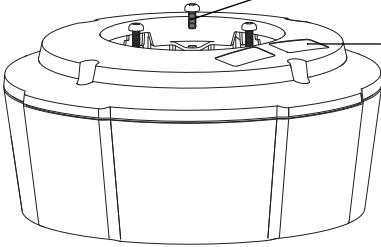
Optional accessories	AXIS T91A Mounting Accessories See <a href="http://www.axis.com">www.axis.com</a> for information on available accessories
----------------------	---

## 2 Hardware overview

Sunshield

Screws (3)

Part number (P/N) & Serial number (S/N).  
The serial number may be required  
during the installation.

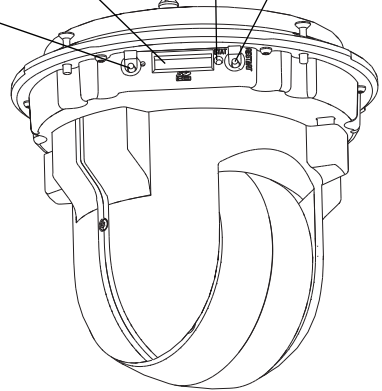


Restart button

SDHC card slot

Status indicator LED

Control button

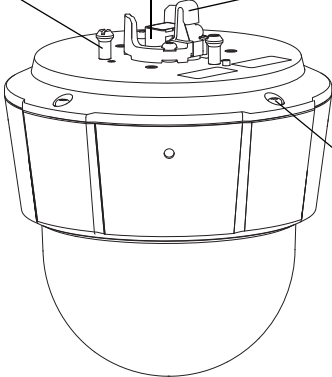


Network connector (PoE)

Unit holders (3)

Hook for safety wire

Top cover screws (4)



Screws (6)

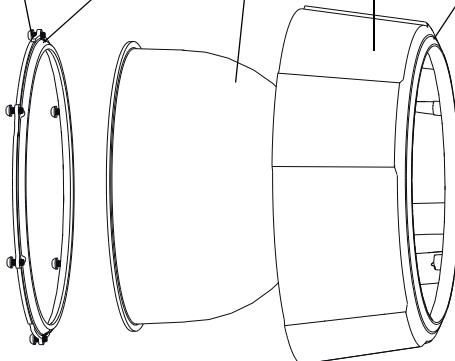
Dome cover

Sealing ring

Dome cover

Dome ring

Top cover



### 3 Install the hardware

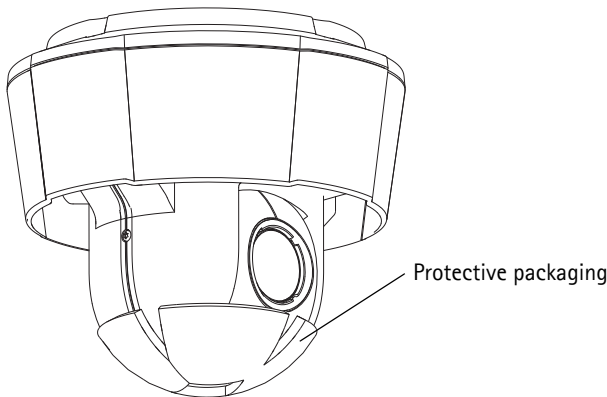
#### Prepare for installation

Read all the instructions before preparing to install the network camera since several installation preparation steps require removing the top cover and would benefit from being completed together. The sunshield must be removed to install/remove an SD card, see *Install an SD card (optional)*, on page 8.

- Follow the instructions *Remove the protective packaging*, below to remove the protective packing before installing the camera.
- The network camera is supplied with a clear transparent cover and a smoked transparent cover. If required, follow the instructions *Replace the clear/smoked dome cover (optional)*, below to replace the dome cover.
- A standard or high capacity SD card (not included) is required to store images locally in the network camera. Follow the instructions *Install an SD card (optional)*, below to remove the dome cover and install an SD card.

#### Remove the protective packaging

1. Loosen the 4 top cover screws and remove the top cover, see illustration on page 6.
2. Remove the protective packaging.



3. If replacing the clear/smoked dome cover or installing an SD card, refer to the instructions *Replace the clear/smoked dome cover (optional)* and *Install an SD card (optional)*, on page 8.
4. Put the top cover back in its original position and fasten the screws.

## Replace the clear/smoked dome cover (optional)

### ! IMPORTANT!

This camera has a dehumidifying membrane to maintain low humidity levels inside the dome. To avoid condensation, do not disassemble the camera in rain or in damp conditions.

1. Loosen the 4 top cover screws and remove the top cover, see illustration on page 6.
2. Remove the 6 dome ring screws and remove the dome ring from the top cover.
3. Attach the dome ring and the replacement dome cover to the top cover and secure by tightening the 6 screws.
4. If installing an SD card, refer to the instructions *Install an SD card (optional)*, below.
5. Put the top cover back in its original position and fasten the screws.

### Note:

Be careful not to scratch or damage the dome cover. If possible, keep the protective plastic on the dome cover until the installation is complete.

## Install an SD card (optional)

1. Remove the sunshield, see illustration on page 6.
1. Loosen the 4 top cover screws and remove the top cover, see illustration on page 6.
2. Insert an SD card (not included) into the SDHC (Secure Digital High Capacity) card slot.
3. Put the top cover back in its original position and fasten the screws.
4. Put the sunshield back in its original position and fasten the screws.

### Note:

The SD card is automatically mounted when inserted into the SDHC card slot. However, before removing the SD card it should be unmounted through the camera's web pages. Go to **Setup > System Options > Storage > SD Card** and click **Unmount**. For more information, please see the User's Manual available from the AXIS Network Video Product CD supplied with this product or from the website at [www.axis.com](http://www.axis.com)

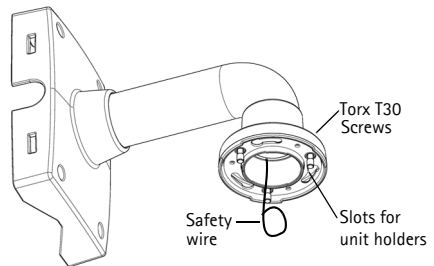


## Install the network camera

### ! IMPORTANT!

The supplied RJ45 connector or a compatible, IP66 rated RJ45 connector must be used in order to comply with the IP66 rated design of the camera.

1. Install the selected bracket (not included) according to the instructions supplied with the bracket. If drilling is required, make sure to use drill bits, screws, and plugs that are appropriate for the material. See [www.axis.com](http://www.axis.com) for information on available mounting accessories.
2. Route the network cable and attach the supplied RJ45 connector. Refer to the instructions provided with the connector for information on wiring and assembly.
3. Hook the camera to the safety wire on the bracket.
4. Connect the network cable and RJ45 connector to the network connector on the camera.
5. Install AXIS T8123, see *Install AXIS T8123 High PoE Midspan 1-port*, on page 10.
6. Check that the indicator LEDs on the midspan indicate the correct conditions, see the table on page 11 for further details.
7. Slide the unit holders on the camera into the slots on the bracket and rotate the camera unit.
8. Secure the network camera to the mounting bracket by fastening the 3 screws (Torx T30).



Wall bracket (mounting example, bracket not included)

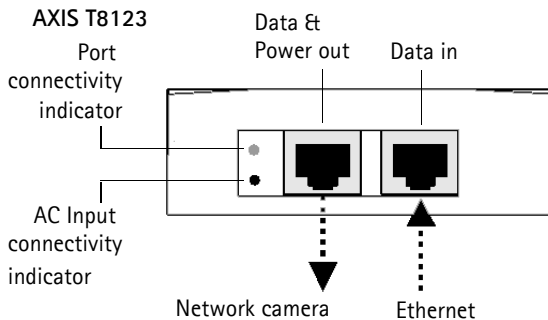
## Install AXIS T8123 High PoE Midspan 1-port

Axis T8123 High PoE Midspan enables Axis network video products with high power consumption to receive data and power over the same Ethernet cable. Follow these instructions to connect AXIS T8123.

### Note:

Axis can only guarantee full functionality with the AXIS T8123, no other High PoE devices are supported.

1. Connect the AXIS T8123 (Data in) to the network switch using a standard network cable.
2. Connect the AXIS T8123 (Data and Power Out) to the network camera, using the network cable that has been connected to the camera.
3. Connect the AXIS T8123 to an AC outlet (100-240 VAC), using the supplied power cable.





For information on the LEDs on the midspan, see *Assign an IP address*, on page 11.

## 4 Assign an IP address

Most networks today have a DHCP server that automatically assigns IP addresses to connected devices. If your network does not have a DHCP server the network camera will use 192.168.0.90 as the default IP address.

If you would like to assign a static IP address, the recommended method in Windows is either **AXIS IP Utility** or **AXIS Camera Management**. Depending on the number of cameras you wish to install, use the method that best suits your purpose.

Both of these free applications are available on the Axis Network Video Product CD supplied with this product, or they can be downloaded from [www.axis.com](http://www.axis.com)

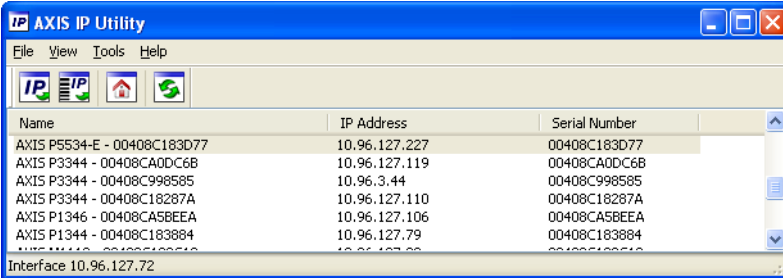
Method	Recommended for	Operating system
 AXIS IP Utility See page 12	Single camera Small installations	Windows
 AXIS Camera Management See page 13	Multiple cameras Large installations Installation on a different subnet	Windows 2000 Windows XP Pro Windows 2003 Server Windows Vista Windows 7

**Notes:**

- If assigning the IP address fails, check that there is no firewall blocking the operation.
- For other methods of assigning or discovering the IP address, e.g. in other operating systems, see page 16.

## AXIS IP Utility – single camera/small installation

AXIS IP Utility automatically discovers and displays Axis devices on your network. The application can also be used to manually assign a static IP address.




Note that the computer running AXIS IP Utility must be on the same network segment (physical subnet) as the network camera.

### Automatic discovery

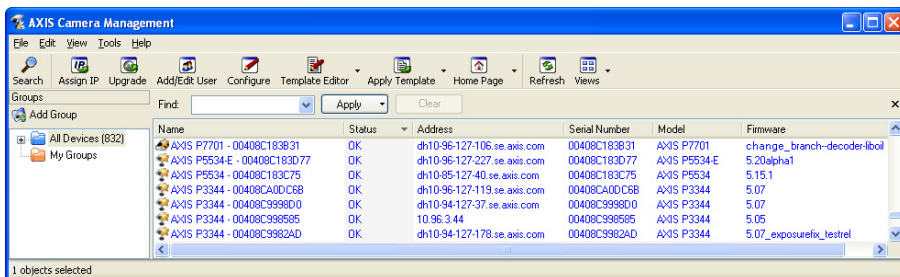
1. Check that the camera is connected to the network and that power has been applied.
2. Start AXIS IP Utility.
3. When the camera appears in the window, double-click it to open its home page.
4. See page 14 for instructions on how to assign the password.

### Assign the IP address manually (optional)

1. Acquire an unused IP address on the same network segment as your computer.
2. Select the network camera in the list.
3. Click the **Assign new IP address to the selected device** button  and enter the IP address.
4. Click **Assign** and follow the on-screen instructions. Note that the camera must be restarted within 2 minutes for the new IP address to be set.
5. Click **Home Page** to access the camera's web pages.
6. See page 14 for instructions on how to set the password.

## AXIS Camera Management – multiple cameras/large installations


AXIS Camera Management can automatically discover multiple Axis devices, show connection status, manage firmware upgrades and set IP addresses.



### Automatic discovery

1. Check that the camera is connected to the network and that power has been applied.
2. Start AXIS Camera Management. When the network camera appears in the window, right-click the link and select **Live View Home Page**.
3. See page 14 for instructions on how to set the password.


### Assign an IP address in a single device

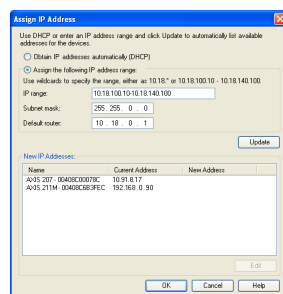
1. Select network camera in AXIS Camera Management and click the **Assign IP** button .
2. Select **Assign the following IP address** and enter the IP address, subnet mask and default router the device will use.
3. **OK**.



### Assign IP addresses in multiple devices

AXIS Camera Management speeds up the process of assigning IP addresses to multiple devices, by suggesting IP addresses from a specified range.

1. Select the devices you wish to configure (different models can be selected) and click the **Assign IP** button .
2. Select **Assign the following IP address range** and enter the range of IP addresses, the subnet mask and default router the devices will use.
3. Click **Update**. Suggested IP addresses are listed under **New IP Addresses** and can be edited by selecting a device and clicking **Edit**.
4. Click **OK**.



## 5 Set the password

To gain access to the product, the password for the default administrator user **root** must be set. This is done in the 'Configure Root Password' dialog, which is displayed when the network is accessed for the first time.

To prevent network eavesdropping when setting the root password, this can be done via an encrypted HTTPS connection, which requires an HTTPS certificate.

**Note:** HTTPS (Hypertext Transfer Protocol over Secure Socket Layer) is a protocol used to encrypt the traffic between web browsers and servers. The HTTPS certificate controls the encrypted exchange of information.

To set the password via a standard HTTP connection, enter it directly in the first dialog shown below.

To set the password via an encrypted HTTPS connection, follow these steps:

1. Click the **Create self-signed certificate** button.
2. Provide the requested information and click **OK**. The certificate is created and the password can now be set securely. All traffic to and from the network camera is encrypted from this point on.
3. Enter a password and then re-enter it to confirm the spelling. Click **OK**. The password has now been configured.

To create an HTTPS connection, start by clicking this button.

To configure the password directly via an unencrypted connection, enter the password here.

4. To log in, enter the user name "root" in the dialog as requested  
**Note:** The default administrator user name **root** cannot be deleted.
5. Enter the password as set above, and click **OK**.  
**Note:** If the password is lost, the camera must be reset to the factory default settings. See page 19.

## Access the video stream

The Live View page of the network camera is displayed, with links to the Setup tools, which allow you to customize the camera.

If required, click Yes to install AMC (AXIS Media Control), which allows viewing of the video stream in Internet Explorer. You will need administrator rights on the computer to do this.

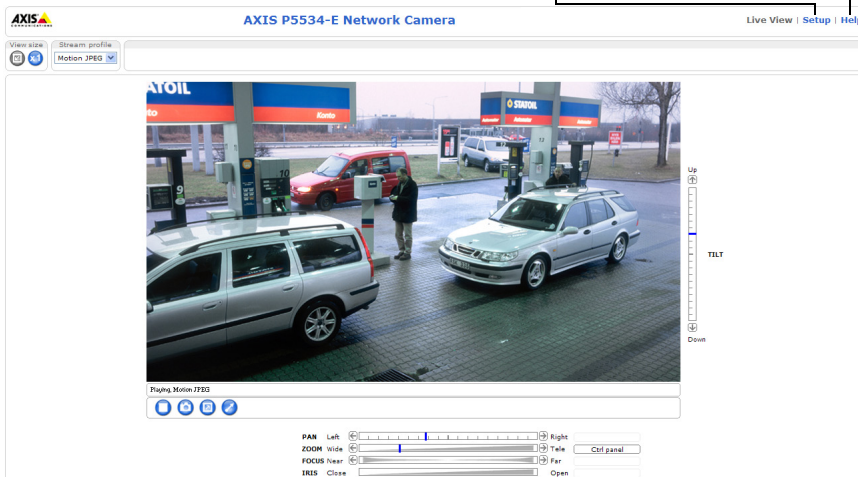
If required, click the link to install missing decoders.

### Note:

To install AMC in Windows Vista, you must run Internet Explorer as administrator. Right-click the Internet Explorer icon and select **Run as administrator**.

**Setup** - Provides all the tools for configuring the camera to requirements.

**Help** - Displays online help on all aspects of using the camera.



## Other methods of setting the IP address

The table below shows the other methods available for setting or discovering the IP address. All methods are enabled by default, and all can be disabled.

	Use in operating system	Notes
UPnP™	Windows	When enabled on your computer, the camera is automatically detected and added to "My Network Places."
Bonjour	MAC OSX (10.4 or later)	Applicable to browsers with support for Bonjour. Navigate to the Bonjour bookmark in your browser (e.g. Safari) and click on the link to access the camera's web pages.
AXIS Dynamic DNS Service	All	A free service from Axis that allows you to quickly and simply install your camera. Requires an Internet connection with no HTTP proxy. See <a href="http://www.axiscam.net">www.axiscam.net</a> for more information.
ARP/Ping	All	See below. The command must be issued within 2 minutes of connecting power to the camera.
DHCP server	All	To view the admin pages for the network DHCP server, see the server's own documentation.

## AXIS Video Hosting System (AVHS)

The camera can also be connected to an AVHS service for hosted video. If you have subscribed to an AVHS service, follow the instructions in the Service Provider's Installation Guide. For more information and help to find a local AVHS Service Provider, go to [www.axis.com/hosting](http://www.axis.com/hosting)

The **Camera owner authentication key** is found on the back cover of this document. The key is associated with the camera's unique serial number (S/N) as shown on the top of the label.

### Note:

Save the key for future reference.



## Set the IP address with ARP/Ping

1. Acquire an IP address on the same network segment your computer is connected to.
2. Locate the serial number (S/N) on the product label on the camera.
3. Open a command prompt on your computer and enter the following commands:

<b>Windows syntax:</b>	Windows example:
arp -s <IP Address> <Serial Number> ping -l 408 -t <IP Address>	arp -s 192.168.0.125 00-40-8c-18-10-00 ping -l 408 -t 192.168.0.125
<b>UNIX/Linux/Mac syntax:</b>	UNIX/Linux/Mac example:
arp -s <IP Address> <Serial Number> temp ping -s 408 <IP Address>	arp -s 192.168.0.125 00:40:8c:18:10:00 temp ping -s 408 192.168.0.125

4. Check that the network cable is connected to the camera and then start/restart the camera, by disconnecting and reconnecting power.
5. Close the command prompt when you see 'Reply from 192.168.0.125: ...' or similar.
6. In your browser, type in `http://<IP address>` in the Location/Address field and press Enter on your keyboard.

### Notes:

- To open a command prompt in Windows: from the Start menu, select **Run...** and type `cmd`. Click **OK**.
- To use the ARP command in Windows Vista, right-click the command prompt icon and select **Run as administrator**.
- To use the ARP command on a Mac OS X, use the Terminal utility in **Application > Utilities**.

## Status indicators

Unit	Color	Indication
AXIS P5532-E AXIS P5534-E	Unlit	Steady connection/normal operation
	Amber	Steady during system initiating and reset to factory default. Flashes during firmware upgrade.
	Amber/red	No network connection
	Red	Firmware upgrade failure
	Green	Steady for 10 sec. after successful restart

### Note:

For more information on the AXIS P5532-E/AXIS P5534-E status indicators, please see the User's Manual available from the AXIS Network Video Product CD supplied with this product or from the website at [www.axis.com](http://www.axis.com)

Unit		Color	Indication
AXIS T8123	Port	Unlit	No camera connected
		Flashing	Power overload or other input voltage error
		Green	Camera connected, normal behavior
	AC input	Steady green	AC power connected

## Resetting to the Factory Default Settings

To reset the camera to the original factory default settings, use the control button and the restart button on the side of the camera, see *Hardware overview*, on page 6, as described below:

Using the control and restart buttons will reset all the parameters, including the IP address, to the factory default settings:

1. Remove the sunshield, see illustration on page 6.
2. Remove the top cover, see *Remove the protective packaging*, on page 7.
3. Press and hold the control button and the restart button at the same time.
4. Release the restart button but continue to hold down the control button.
5. Continue to hold down the control button until the status indicator flashes amber at regular intervals (this may take up to 15 seconds).
6. Release the control button.
7. When the status indicator changes to green (which may take up to 1 minute), the process is complete and the camera has been reset. The unit now has the default IP address 192.168.0.90
8. Put the top cover back in its original position.
9. Put the sunshield back in its original position.
10. Re-assign the IP address, using one of the methods described in *Assign an IP address*, on page 11.

It is also possible to reset parameters to the original factory default settings via the web interface. For more information, please see the online help or the User's Manual available from the AXIS Network Video Product CD supplied with this product.

## Accessing the camera from the Internet

Once installed, your network camera is accessible on your local network (LAN). To access the camera from the Internet, network routers must be configured to allow incoming traffic, which is usually done on a specific port.

- HTTP port (default port 80) for viewing and configuration
- RTSP port (default port 554) for viewing H.264 video streams

Please refer to the documentation for your router for further instructions. For more information on this and other topics, visit the Axis Support Web at [www.axis.com/techsup](http://www.axis.com/techsup)

## Further information

The User's Manual is available from the Axis Web site at [www.axis.com](http://www.axis.com) or from the Axis Network Video Product CD supplied with this product.

**Tip!**

Visit [www.axis.com/techsup](http://www.axis.com/techsup) to check if there is updated firmware available for your network camera. To see the currently installed firmware version, see **Setup > About**.

# Mesures de sécurité

Lisez attentivement le présent guide d'installation avant d'installer le produit. Conservez le guide d'installation si vous souhaitez le consulter ultérieurement.

## ATTENTION !

- Pour éviter d'endommager le produit Axis, utilisez l'emballage d'origine ou un équivalent pour le transporter.
- Évitez d'exposer le produit Axis à des vibrations, des chocs ou une trop forte pression et ne l'installez pas sur des supports instables, ou des surfaces ou des murs instables ou vibrants. Cela risque de l'endommager.
- Utilisez uniquement des outils manuels pour l'installation du produit Axis, l'utilisation d'outils électriques ou l'usage excessif de la force risque de l'endommager.
- N'utilisez ni produits chimiques, ni substances caustiques, ni nettoyeurs aérosol. Utilisez un linge humide pour le nettoyage.
- Utilisez uniquement des accessoires et des pièces de rechange fournis ou recommandés par Axis.
- Ne tentez pas de réparer le produit vous-même, contactez Axis ou votre revendeur Axis pour tout problème lié au service.

## IMPORTANT !

- Ce produit Axis doit être utilisé conformément aux lois et réglementations locales en vigueur.

## Remplacement des piles

Ce produit Axis nécessite une pile au lithium CR2032 de 3,0 V pour l'alimentation de son horloge en temps réel interne. Dans des conditions normales d'utilisation, cette pile devrait durer au moins 5 ans. Si la pile est faible, cela a un impact sur le fonctionnement de l'horloge en temps réel qui se réinitialise alors à chaque mise sous tension. Un message enregistré apparaît lorsque la pile doit être remplacée. Ne remplacez la pile que lorsque cela est nécessaire !

Si la pile doit être remplacée, veuillez contacter [www.axis.com/techsup](http://www.axis.com/techsup) pour obtenir de l'aide.

- Afin d'éviter tout risque d'explosion, remplacez correctement la pile.
- Remplacez la pile par une pile identique ou équivalente uniquement, en respectant les recommandations du fabricant.
- Jetez les piles usagées conformément aux consignes du fabricant.

## Nettoyage de la bulle du dôme

- Veillez à ne pas rayer ou endommager la bulle du dôme. Ne nettoyez pas la bulle du dôme si elle semble propre à l'œil nu et ne frottez jamais la surface. Un nettoyage excessif peut endommager la surface.
- Pour le nettoyage général de la bulle du dôme, il est recommandé d'utiliser un savon ou un détergent neutre sans solvant, non abrasif, avec de l'eau et un chiffon doux. Rincez abondamment avec de l'eau douce et tiède. Séchez à l'aide d'un chiffon doux pour éviter les salissures d'eau.
- N'utilisez jamais de détergents forts, d'essence, de benzène ou d'acétone, etc. et évitez de vous exposer directement aux rayons du soleil ou à des températures élevées lors du nettoyage.

# AXIS P5532-E/AXIS P5534-E

## Guide d'installation

Ce guide d'installation explique comment installer une AXIS P5532-E/AXIS P5534-E Caméra réseau à dôme PTZ sur votre réseau. Pour toute autre question concernant l'utilisation du produit, reportez-vous au manuel d'utilisation du produit, que vous trouverez sur le CD joint ou sur le site [www.axis.com](http://www.axis.com)

### Procédure d'installation

1. Vérifiez que l'emballage contient bien tous les éléments répertoriés dans la liste ci-dessous.
2. Vue d'ensemble du matériel. Reportez-vous à la page 22.
3. Installation du matériel. Reportez-vous à la page 23.
4. Attribution d'une adresse IP. Reportez-vous à la page 27.
5. Configuration du mot de passe. Reportez-vous à la page 30.

#### Important !

Ce produit doit être utilisé conformément aux lois et réglementations locales en vigueur.

### 1 Contenu de l'emballage

Élément	Modèles/variantes/remarques
Caméra réseau	AXIS P5532-E/AXIS P5534-E 50 Hz/60 Hz
Bulles des dômes	Bulle transparente non fumée (prémontée) Bulle transparente fumée
Injecteur de puissance High PoE	AXIS T8123 avec câble d'alimentation fourni (différent selon les pays)
Connecteur RJ45	Connecteur réseau norme IP66
Pare-soleil	Bulle de protection en plastique, vis fournies
CD	CD de la caméra vidéo réseau Axis comprenant la documentation, les outils d'installation et des logiciels complémentaires
Documentation imprimée	Guide d'installation de l'AXIS P5532-E (le présent document) Document de garantie d'Axis Étiquettes de numéro de série supplémentaires (2x)

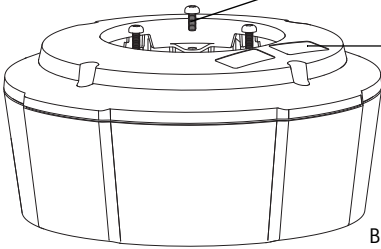
Accessoires en option	Accessoires de montage AXIS T91A Consultez le site à l'adresse <a href="http://www.axis.com">www.axis.com</a> pour plus d'informations sur les accessoires disponibles
-----------------------	---

## 2 Description du matériel

Pare-soleil

Vis (3)

Référence (P/N) et numéro de série (S/N).  
Le numéro de série peut être demandé  
pendant l'installation.



Logement de carte SDHC

Bouton Redémarrer

Voyant d'état

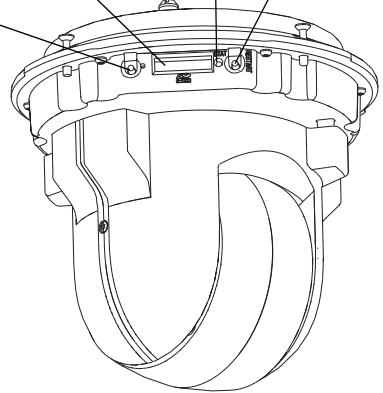
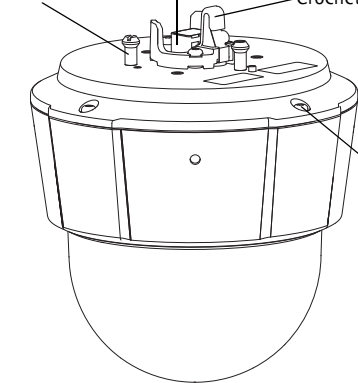
Bouton de commande

Connecteur réseau (PoE)

Supports de rack (3)

Crochet pour fil de sécurité

Vis du couvercle  
supérieur (4)



Vis (6)

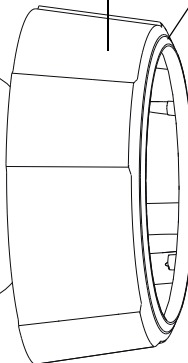
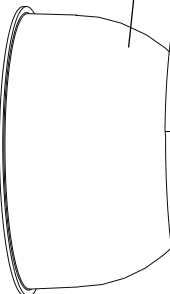
Bulle du dôme

Anneau d'étanchéité

Bulle du dôme

Anneau du dôme

Couvercle supérieur



## 3 Installation du matériel

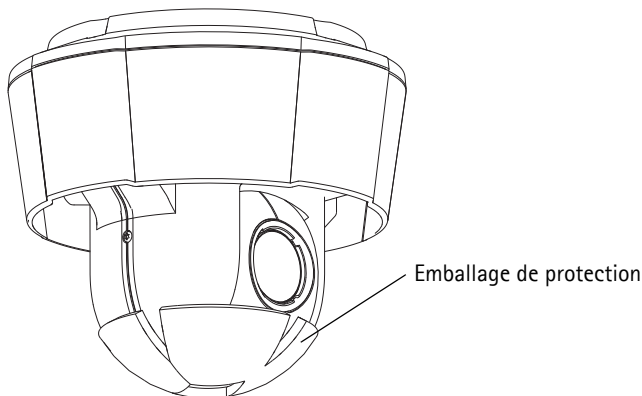
### Préparation de l'installation

Lisez toutes les instructions avant de préparer l'installation de la caméra réseau. En effet, de nombreuses étapes de cette préparation requièrent le retrait du couvercle supérieur et il serait plus judicieux de les effectuer ensemble. Le pare-soleil doit être retiré pour installer/enlever une carte SD. Reportez-vous à *Installation d'une carte SD (facultatif)*, à la page 24.

- Suivez les instructions décrites dans la section ci-après *Enlèvement de l'emballage de protection* pour enlever l'emballage de protection, avant d'installer la caméra.
- La caméra réseau est fournie avec deux bulles transparentes (non fumée et fumée). Si nécessaire, suivez les instructions décrites dans la section *Remplacement de la bulle du dôme fumée/non fumée (facultatif)* ci-après pour replacer la bulle du dôme.
- Une carte SD standard ou haute capacité (non fournie) est requise pour stocker des images en local sur la caméra réseau. Suivez les instructions décrites dans la section *Installation d'une carte SD (facultatif)* ci-après pour retirer la bulle du dôme et installer la carte SD.

### Enlèvement de l'emballage de protection

1. Desserrez les quatre vis du couvercle supérieur et retirez-le, voir l'illustration à la page 22.
2. Enlèvement de l'emballage de protection.



3. Si vous remplacez la bulle de dôme fumée/non fumée, ou installez la carte SD, suivez les instructions décrites dans les sections *Remplacement de la bulle du dôme fumée/non fumée (facultatif)* et *Installation d'une carte SD (facultatif)*, à la page 24.
4. Remettez en place le couvercle supérieur, puis serrez les vis.

## Remplacement de la bulle du dôme fumée/non fumée (facultatif)

### ! IMPORTANT !

Cette caméra dispose d'une membrane de déshumidification qui permet de maintenir de faibles niveaux d'humidité dans le dôme. Pour éviter toute condensation, ne démontez pas la caméra s'il pleut ou s'il fait humide.

1. Desserrez les quatre vis du couvercle supérieur et retirez-le, voir l'illustration à la page 22.
2. Desserrez les six vis de l'anneau du dôme, puis retirez ce dernier du couvercle supérieur.
3. Fixez l'anneau et la bulle du dôme sur le couvercle supérieur, puis serrez les six vis.
4. En cas d'installation de la carte SD, reportez-vous aux instructions décrites dans la section *Installation d'une carte SD (facultatif)* ci-après.
5. Remettez en place le couvercle supérieur, puis serrez les vis.

### Remarque :

Veillez à ne pas rayer ou endommager la bulle du dôme. Laissez, si possible, la protection en plastique sur la bulle du dôme jusqu'à la fin de l'installation.

## Installation d'une carte SD (facultatif)

1. Retirez le pare-soleil, voir l'illustration à la page 22.
1. Desserrez les quatre vis du couvercle supérieur et retirez-le, voir l'illustration à la page 22.
2. Insérez une carte SD (non fournie) dans le logement de carte SDHC (Secure Digital High Capacity).
3. Remettez en place le couvercle supérieur, puis serrez les vis.
4. Remettez en place le pare-soleil, puis serrez les vis.

### Remarque :

La carte SD est automatiquement installée une fois insérée dans le logement de carte SDHC. Il est cependant nécessaire de désinstaller la carte SD à partir des pages Web de la caméra avant de la retirer. Choisissez **Setup > System Options > Storage > SD Card** (Configuration > Options système > Stockage > Carte SD), puis cliquez sur **Unmount** (Désinstaller). Pour plus d'informations, consultez le manuel de l'utilisateur, disponible sur le CD du produit de vidéo sur IP AXIS, fourni avec le produit ou en téléchargement sur le site Web [www.axis.com](http://www.axis.com)

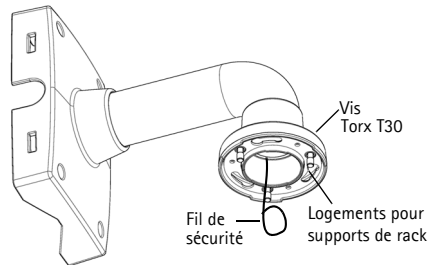


## Installation de la caméra réseau

### ! IMPORTANT !

Le design norme IP66 de la caméra nécessite l'utilisation des connecteurs RJ45 ou RJ45 compatible norme IP66 fournis.

1. Installez le support choisi (non inclus) conformément aux instructions fournies avec le support. S'il s'avère nécessaire de percer, vérifiez que les forets, vis et chevilles à utiliser sont appropriés pour le matériau. Consultez le site [www.axis.com](http://www.axis.com) pour plus d'informations sur les accessoires de montage disponibles.
2. Acheminez le câble réseau et fixez le connecteur RJ45 fourni. Reportez-vous aux instructions fournies avec le connecteur pour plus d'informations sur le câblage et le montage.
3. Accrochez la caméra au fil de sécurité du support.
4. Connectez le câble réseau et le connecteur RJ45 au connecteur réseau de la caméra.
5. Installez l'injecteur AXIS T8123, reportez-vous à la section *Installez l'injecteur High PoE AXIS à 1 port AXIS T8123*, à la page 26.
6. Vérifiez que les voyants lumineux sur l'injecteur indiquent les conditions correctes. Pour plus d'informations, reportez-vous au tableau à la page 27.
7. Glissez les supports de rack de la caméra dans les logements du support, puis tournez la caméra.
8. Fixez la caméra réseau au support de fixation à l'aide des trois vis (Torx T30).



Plaquette de fixation murale (exemple de montage, plaquette non incluse)

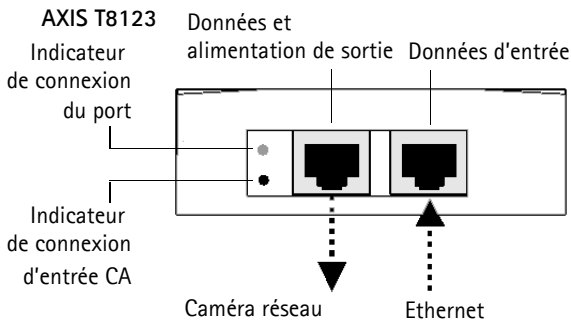
## Installez l'injecteur High PoE AXIS à 1 port AXIS T8123

L'injecteur de puissance Axis T8123 High PoE permet aux produits vidéo Axis consommant une quantité importante d'énergie de recevoir des données et de l'alimentation via le même câble Ethernet. Procédez comme suit pour connecter l' AXIS T8123.

### Remarque :

Axis peut garantir l'intégralité des fonctions pour le modèle AXIS T8123 uniquement, tout autre périphérique High PoE n'est pas pris en charge.

1. Branchez l'AXIS T8123 (Données d'entrée) au commutateur réseau via un câble réseau standard.
2. Branchez l'AXIS T8123 (Données et alimentation de sortie) à la caméra réseau, via un câble réseau déjà branché à la caméra.
3. Branchez l'AXIS T8123 sur une prise CA (100-240 V CA), à l'aide du câble d'alimentation fourni.





Pour plus d'informations sur les voyants lumineux de l'injecteur, reportez-vous à la section *Attribution d'une adresse IP*, à la page 27.

## 4 Attribution d'une adresse IP

Aujourd'hui, la plupart des réseaux sont équipés d'un serveur DHCP qui attribue automatiquement des adresses IP aux périphériques connectés. Si votre réseau ne possède pas de serveur DHCP, la caméra réseau utilise l'adresse IP 192.168.0.90 comme adresse IP par défaut.

Si vous souhaitez paramétrer une adresse IP statique sous Windows, nous recommandons l'utilisation de l'application **AXIS IP Utility** ou de l'application **AXIS Camera Management**. Selon le nombre de caméras à installer, choisissez la méthode qui vous convient le mieux.

Ces deux applications gratuites sont disponibles sur le CD du produit de vidéo sur IP Axis fourni avec ce produit. Vous pouvez également les télécharger à partir du site [www.axis.com](http://www.axis.com)

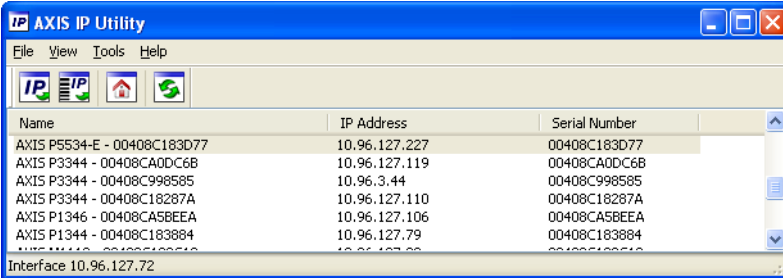
Méthode	Recommandée pour	Système d'exploitation
 AXIS IP Utility Voir page 28	Une seule caméra Petites installations	Windows
 AXIS Camera Management Voir page 29	Plusieurs caméras Grandes installations Installation sur un autre sous-réseau	Windows 2000 Windows XP Pro Windows 2003 Server Windows Vista Windows 7

### Remarques :

- En cas d'échec de l'attribution d'adresse IP, vérifiez qu'aucun pare-feu ne bloque l'opération.
- Pour connaître les autres méthodes d'attribution ou de détection de l'adresse IP, par exemple sous d'autres systèmes d'exploitation, reportez-vous à la page 32.

## AXIS IP Utility : une seule caméra et une petite installation

AXIS IP Utility détecte et affiche automatiquement les périphériques Axis présents sur votre réseau. Cette application peut également être utilisée pour attribuer manuellement une adresse IP statique.




Notez que l'ordinateur exécutant l'application AXIS IP Utility doit se trouver sur le même segment de réseau (sous-réseau physique) que la caméra réseau.

### Détection automatique

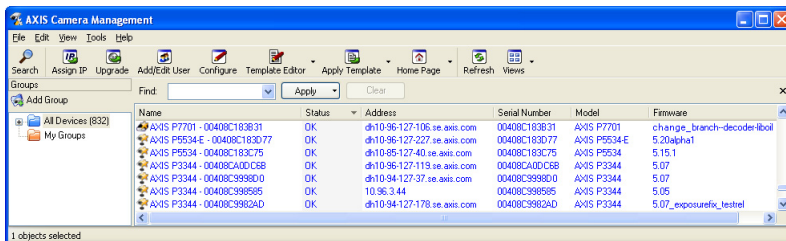
1. Vérifiez que la caméra est connectée au réseau et qu'elle est sous tension.
2. Lancez AXIS IP Utility.
3. Lorsque l'icône de la caméra apparaît dans la fenêtre, cliquez deux fois dessus pour ouvrir la page d'accueil correspondante.
4. Reportez-vous à la page 30 pour savoir comment configurer le mot de passe.

### Attribution manuelle de l'adresse IP (facultatif)

1. Trouvez une adresse IP non utilisée sur le même segment de réseau que celui de votre ordinateur.
2. Sélectionnez la caméra réseau dans la liste.
3. Cliquez sur le bouton **Assign new IP address to the selected device** (Attribuer une nouvelle adresse IP au périphérique sélectionné) , puis saisissez l'adresse IP.
4. Cliquez sur le bouton **Assign** (Attribuer) et suivez les instructions qui s'affichent à l'écran. La caméra doit être redémarrée dans les 2 minutes pour que la nouvelle adresse IP soit prise en compte.
5. Cliquez sur le bouton **Home Page** (Page d'accueil) pour accéder aux pages Web de la caméra.
6. Reportez-vous à la page 30 pour savoir comment configurer le mot de passe.

## AXIS Camera Management : plusieurs caméras et de grandes installations


AXIS Camera Management est capable de détecter automatiquement plusieurs dispositifs Axis, d'afficher leur état de connexion, de gérer les mises à niveau des micrologiciels et de définir les adresses IP.



### Détection automatique

1. Vérifiez que la caméra est connectée au réseau et qu'elle est sous tension.
2. Lancez AXIS Camera Management. Lorsque la caméra réseau apparaît dans la fenêtre, cliquez sur le lien avec le bouton droit de la souris, puis sélectionnez Live View Home Page (Page d'accueil – Vue en direct).
3. Reportez-vous à la page 30 pour savoir comment configurer le mot de passe.


### Attribution d'une adresse IP à un seul périphérique

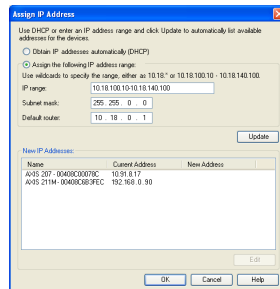
1. Sélectionnez la caméra réseau dans l'application AXIS Camera Management, puis cliquez sur le bouton Assign IP (Attribuer une adresse IP) .
2. Sélectionnez Assign the following IP address (Attribuer l'adresse IP suivante) et saisissez l'adresse IP, le masque de sous-réseau et le routeur par défaut que le périphérique utilisera.
3. Cliquez sur OK.



### Attribution d'adresses IP à plusieurs périphériques

AXIS Camera Management accélère le processus d'attribution d'adresses IP à plusieurs périphériques en suggérant des adresses IP dans une plage spécifiée.

1. Sélectionnez les périphériques à configurer (il peut s'agir de modèles différents), puis cliquez sur le bouton Assign IP (Attribuer adresses IP) .
2. Sélectionnez Assign the following IP address range (Attribuer la plage d'adresses IP suivante) et saisissez la plage d'adresses IP, le masque de sous-réseau et le routeur par défaut que les périphériques utiliseront.
3. Cliquez sur Update (Mettre à jour). Les adresses IP suggérées sont énumérées sous le champ New IP Addresses (Nouvelles adresses IP) et peuvent être modifiées en sélectionnant un périphérique et en cliquant sur le bouton Edit (Modifier).
4. Cliquez sur OK.



## 5 Configuration du mot de passe

Pour accéder au produit, le mot de passe par défaut de l'administrateur, **root**, doit être configuré. Pour ce faire, utilisez la boîte de dialogue **Configure Root Password** (Configurer le mot de passe root) qui s'affiche lors du premier accès au réseau.

Pour éviter les écoutes électroniques lors de la configuration du mot de passe root, utilisez une connexion HTTPS cryptée nécessitant un certificat HTTPS.

**Remarque :** Le protocole HTTPS (Hypertext Transfer Protocol over Secure Socket Layer) est utilisé pour crypter le trafic entre les navigateurs Web et les serveurs. Le certificat HTTPS contrôle l'échange crypté des informations.

Pour configurer le mot de passe avec une connexion HTTP standard, saisissez directement le mot de passe dans la première boîte de dialogue représentée ci-dessous.

Pour configurer le mot de passe avec une connexion HTTPS cryptée, procédez comme suit :

1. Cliquez sur le bouton **Create self-signed certificate** (Créer un certificat autosigné).
2. Saisissez les informations demandées, puis cliquez sur **OK**. Le certificat est créé et le mot de passe peut maintenant être configuré en toute sécurité. Tout le trafic entrant et sortant de la caméra réseau est désormais crypté.
3. Saisissez un mot de passe, puis saisissez-le à nouveau pour confirmation. Cliquez sur **OK**. Le mot de passe est maintenant configuré.

**AXIS**  
Create Certificate

Secure configuration of the root password via HTTPS requires a self-signed certificate.

Create self-signed certificate...

**Configure Root Password**

User name: root

Password:

Confirm password:

The password for the pre-configured administrator **root** must be changed before the product can be used.

If the password for root is lost, the product must be reset to the factory default settings, by pressing the button located in the product's casing. Please see the user documentation for more information.

Pour créer une connexion HTTPS, cliquez sur ce bouton.

**AXIS**  
Create Self-Signed Certificate

Common name: 10.92.25.211

Validity: 365 days

\*The name of the entity to be certified, i.e. the IP address or host name of this product.

Pour configurer directement le mot de passe par le biais d'une connexion cryptée, saisissez le mot de passe dans cette section.

**AXIS**  
Configure Root Password using HTTPS

User name: root

Password:

Confirm password:

OK

The password for the pre-configured administrator **root** must be changed before the product can be used.

If the password for root is lost, the product must be reset to the factory default settings, by pressing the button located in the product's casing. Please see the user documentation for more information.

4. Pour vous connecter, saisissez le nom d'utilisateur « **root** » dans la boîte de dialogue à l'invite. **Remarque :** le nom d'utilisateur par défaut de l'administrateur (**root**) ne peut pas être supprimé.
5. Saisissez le mot de passe de la manière indiquée ci-dessus et cliquez sur **OK**. **Remarque :** si vous avez oublié votre mot de passe, vous devrez rétablir les paramètres d'usine par défaut de votre caméra. Reportez-vous à la page 35.

## Accès au flux de données vidéo

La page Live View (Vidéo en direct) de la caméra réseau s'affiche, avec des liens vers les outils de configuration, lesquels vous permettent d'adapter la caméra à vos besoins.

Si nécessaire, cliquez sur Yes (Oui) pour installer AMC (AXIS Media Control) afin de visualiser le flux de données vidéo dans Internet Explorer. Pour ce faire, vous devrez être connecté à l'ordinateur avec des droits d'administrateur.

Si nécessaire, cliquez sur le lien pour installer les décodeurs manquants.

### Remarque :

Pour installer AMC sous Windows Vista, vous devez exécuter Internet Explorer en tant qu'administrateur. Cliquez avec le bouton droit de la souris sur l'icône d'Internet Explorer et sélectionnez Run as administrator (Exécuter en tant qu'administrateur).

**Setup (Configuration) :** contient tous les outils nécessaires pour configurer la caméra en fonction de vos besoins.

**Help (Aide) :** affiche l'aide en ligne sur tout ce qui trait à l'utilisation de la caméra.



## Autres méthodes de définition de l'adresse IP

Le tableau ci-dessous indique les autres méthodes permettant de configurer ou de détecter l'adresse IP. Toutes les méthodes sont activées par défaut et peuvent être désactivées.

	Utiliser sous le système d'exploitation	Remarques
UPnP™	Windows	Lorsque cette option est activée sur l'ordinateur, la caméra est automatiquement détectée et ajoutée au dossier Favoris réseau.
Bonjour	MAC OSX (10.4 ou version ultérieure)	Pour les navigateurs compatibles avec Bonjour. Accédez au signet de Bonjour de votre navigateur (par exemple Safari), puis cliquez sur le lien permettant d'accéder aux pages Web de la caméra.
AXIS Dynamic DNS Service	Tous	Service Axis gratuit permettant d'installer rapidement et facilement votre caméra. Nécessite une connexion Internet sans proxy HTTP. Pour plus d'informations, rendez-vous sur <a href="http://www.axiscam.net">www.axiscam.net</a> .
ARP/Ping	Tous	Voir ci-dessous. La commande doit être saisie dans les 2 minutes suivant la mise sous tension de la caméra.
Serveur DHCP	Tous	Pour consulter les pages administratives du serveur DHCP réseau, reportez-vous à la documentation du serveur.

### AXIS Video Hosting System (AVHS)

La caméra peut aussi être connectée à un serveur AVHS pour les vidéos reçues. Si vous vous êtes inscrit à un serveur AVHS, suivez les instructions décrites dans le Guide d'installation du fournisseur de service. Pour obtenir des renseignements supplémentaires et trouver un fournisseur de service AVHS, consultez le site [www.axis.com/hosting](http://www.axis.com/hosting)

La Clé d'authentification du propriétaire de la caméra est inscrite sur la couverture arrière de ce document. La clé est associée au numéro de série (S/N) unique de la caméra, comme décrit sur le haut de l'étiquette.

#### Remarque :

Enregistrez la clé pour référence ultérieure.



## Définition de l'adresse IP à l'aide d'ARP/Ping

1. Trouvez une adresse IP sur le même segment de réseau que celui de votre ordinateur.
2. Repérez le numéro de série (S/N) sur l'étiquette de la caméra.
3. Ouvrez une invite de commandes sur votre ordinateur et saisissez les commandes suivantes :

Syntaxe pour Windows :	Exemple pour Windows :
arp -s <Adresse IP> <Numéro de série> ping -l 408 -t <Adresse IP>	arp -s 192.168.0.125 00-40-8c-18-10-00 ping -l 408 -t 192.168.0.125
Syntaxe pour UNIX/Linux/Mac :	Exemple pour UNIX/Linux/Mac :
arp -s <Adresse IP> <Numéro de série> temp ping -s 408 <Adresse IP>	arp -s 192.168.0.125 00:40:8c:18:10:00 temp ping -s 408 192.168.0.125

4. Vérifiez que le câble réseau est connecté à la caméra, puis démarrez/redémarrez cette dernière en débranchant puis en rebranchant l'alimentation.
5. Fermez l'invite de commande lorsque le message « Reply from 192.168.0.125: ...' (Réponse de 192.168.0.125 : ...) ou un message similaire s'affiche.
6. Dans votre navigateur, saisissez http://<Adresse IP> dans le champ Emplacement/Adresse, puis appuyez sur la touche Entrée de votre clavier.

### Remarques :

- Ouvrir une invite de commandes sous Windows : dans le menu Démarrer, sélectionnez **Exécuter** et tapez cmd. Cliquez sur **OK**.
- Pour utiliser la commande ARP sous Windows Vista, cliquez avec le bouton droit de la souris sur l'icône d'invite de commande et sélectionnez **Run as administrator** (Exécuter en tant qu'administrateur).
- Pour utiliser la commande ARP sous Mac OS X, utilisez l'utilitaire Terminal dans **Application > Utilities** (Application - Utilitaires).

## Voyants d'état

Unité	Couleur	Indication
AXIS P5532-E AXIS P5534-E	Éteint	Connexion stable/fonctionnement normal
	Orange	En continu pendant l'initialisation du système et le rétablissement des valeurs d'usine par défaut. Clignote pendant les mises à niveau du microprogramme.
	Orange/rouge	Pas de connexion au réseau.
	Rouge	Échec de la mise à niveau du microprogramme
	Vert	Continu pendant 10 s après avoir redémarré avec succès

### Remarque :

Pour plus d'informations sur les voyants d'état AXIS P5532-E/AXIS P5534-E, consultez le manuel de l'utilisateur disponible sur le CD du produit de vidéo sur IP AXIS, fourni avec le produit ou en téléchargement sur le site Web [www.axis.com](http://www.axis.com)

Unité		Couleur	Indication
AXIS T8123	Indicateur	Éteint	Aucune caméra connectée
		Clignotement	Surcharge de l'alimentation ou autre erreur de tension d'entrée
		Vert	Caméra connectée, fonctionnement normal
	Entrée CA	Vert continu	Alimentation CA connectée

## Rétablissement des paramètres d'usine par défaut

Pour rétablir les paramètres d'usine par défaut de la caméra, utilisez les boutons de commande de redémarrage situés sur le côté de la caméra, reportez-vous à la section *Description du matériel*, à la page 22, comme décrit ci-après :

Les boutons de commande et de redémarrage permettent de rétablir les paramètres par défaut définis en usine et de réinitialiser l'adresse IP :

1. Retirez le pare-soleil. Voir illustration à la page 22.
2. Retirez le couvercle supérieur, reportez-vous à la section *Enlèvement de l'emballage de protection*, à la page 23.
3. Appuyez sur le bouton de commande et le bouton de redémarrage en même temps et maintenez-les enfoncés.
4. Relâchez le bouton de redémarrage, mais maintenez le bouton de commande enfoncé.
5. Maintenez le bouton de commande enfoncé jusqu'à ce que la couleur du témoin d'état passe à l'orange en intervalles réguliers (cela peut prendre jusqu'à 15 secondes).
6. Relâchez le bouton de commande.
7. Lorsque le voyant d'état change en vert (ce qui peut prendre 1 minute), les paramètres par défaut de la caméra ont été rétablis. L'adresse IP de la caméra est maintenant 192.168.0.90
8. Remettez en place le couvercle supérieur de la caméra.
9. Remettez en place le pare-soleil.
10. Attribuez à nouveau l'adresse IP selon une des méthodes décrites dans la section *Attribution d'une adresse IP*, à la page 27.

Il est également possible de rétablir les paramètres d'usine par défaut d'origine à partir de l'interface web. Pour plus d'informations, consultez l'aide en ligne ou le manuel de l'utilisateur, disponibles sur le CD du produit de vidéo sur IP AXIS fourni avec le produit.

## Accès à la caméra sur Internet

Une fois installée, votre caméra réseau est accessible sur votre réseau local (LAN). Pour accéder à la caméra via Internet, les routeurs réseau doivent être configurés pour autoriser le trafic entrant, ce qui est généralement réalisé sur un port spécifique.

- Le port HTTP (port 80 par défaut) pour l'affichage et la configuration
- Le port RTSP (port 554 par défaut) pour l'affichage des flux de données vidéo H.264

Pour obtenir des instructions supplémentaires, consultez la documentation du routeur. Pour plus d'informations à ce sujet ou pour toute autre question, consultez la page d'assistance technique d'Axis à l'adresse [www.axis.com/techsup](http://www.axis.com/techsup).

## Plus d'informations

Le manuel d'utilisation est disponible sur le site web d'Axis ([www.axis.com](http://www.axis.com)) et sur le CD de la caméra vidéo Axis fourni avec ce produit.

### Conseil !

Consultez le site [www.axis.com/techsup](http://www.axis.com/techsup) pour vérifier si des micrologiciels à jour sont disponibles pour votre caméra réseau. Pour connaître la version du micrologiciel actuellement installée, reportez-vous à la page **Setup > About** (Configuration - À propos de).



# Sicherheitsvorkehrungen

Bitte lesen Sie zunächst diese Installationsanleitung vollständig durch, bevor Sie mit der Installation Ihres Produkts beginnen. Halten Sie die Installationsanleitung bereit, falls Sie darauf zurückgreifen müssen.

## VORSICHT!

- Transportieren Sie das Axis-Produkt nur in der Originalverpackung bzw. in einer vergleichbaren Verpackung, damit das Produkt nicht beschädigt wird.
- Achten Sie darauf, dass das Axis-Produkt keinen Erschütterungen, Stößen oder starkem Druck ausgesetzt ist und montieren Sie die Kamera nicht auf instabilen Halterungen oder auf instabilen und vibrierenden Oberflächen oder Wänden. Dies könnte zu Beschädigungen des Produkts führen.
- Verwenden Sie keine elektrischen Werkzeuge zur Montage des Axis-Produkts, da diese das Produkt beschädigen könnten.
- Verwenden Sie keine chemischen, ätzenden oder Aerosol-Reinigungsmittel. Verwenden Sie zur Reinigung ein feuchtes Tuch.
- Verwenden Sie nur Zubehör und Ersatzteile, die von Axis empfohlen bzw. bereitgestellt wurden.
- Versuchen Sie nicht, das Produkt selbst zu reparieren. Wenden Sie sich bei Service-Angelegenheiten an Axis oder an Ihren Axis-Händler.

## WICHTIG!

- Verwenden Sie dieses Axis-Produkt unter Beachtung der geltenden rechtlichen Bestimmungen.

## Batteriewechsel

Dieses Axis-Produkt ist mit einer 3,0 V CR2032 Lithium-Batterie ausgestattet, mit der die interne Echtzeituhr (RTC) versorgt wird. Unter normalen Bedingungen hält die Batterie mindestens 5 Jahre. Bei entladener Batterie ist der Betrieb der Echtzeituhr nicht mehr ausreichend gewährleistet, sodass die Uhr bei jedem Systemstart zurückgesetzt wird. Sie erhalten eine Protokollnachricht, wenn ein Batteriewechsel erforderlich ist. Die Batterie sollte erst bei Bedarf gewechselt werden.

Unter „[www.axis.com/techsup](http://www.axis.com/techsup)“ finden Sie Informationen darüber, was Sie beim Austausch der Batterie beachten müssen.

- Explosionsgefahr bei fehlerhaftem Batteriewechsel!
- Die Batterie muss durch dasselbe oder ein gleichwertiges Fabrikat ersetzt werden, das vom Hersteller zugelassen ist.
- Verbrauchte Batterien sind gemäß Herstelleranweisungen zu entsorgen.

## Reinigen der Kuppelabdeckung

- Achten Sie darauf, die Kuppelabdeckung nicht zu zerkratzen oder zu beschädigen. Reinigen Sie die Kuppelabdeckung nicht, solange sie sauber aussieht, und polieren Sie niemals die Oberfläche. Übermäßiges Reinigen kann die Oberfläche beschädigen.
- Zur allgemeinen Reinigung einer Kuppelabdeckung wird die Verwendung einer nicht aggressiven, lösungsmittelfreien neutralen Seife bzw. eines solchen Reinigungsmittels zusammen mit Wasser und einem weichen Tuch empfohlen. Spülen Sie gut mit sauberem, lauwarmem Wasser nach. Trocknen Sie die Kuppelabdeckung mit einem weichen Tuch ab, um Wasserflecken zu vermeiden.-
- Verwenden Sie niemals scharfe Reinigungsmittel, Benzin, Benzol, Aceton o. Ä. und führen Sie die Reinigung nicht unter direkter Sonneneinstrahlung oder bei hohen Temperaturen durch.

# AXIS P5532-E/AXIS P5534-E Installationsanleitung

In dieser Anleitung wird die Installation der AXIS P5532-E/AXIS P5534-EPTZ-Dome-Netzwerk-Kamera in einem Netzwerk beschrieben. Alle weiteren Hinweise zur Verwendung des Produkts finden Sie im Benutzerhandbuch, das auf der mitgelieferten CD oder auf unserer Website unter „www.axis.com“ zur Verfügung steht.

## Installationschritte

1. Prüfen Sie, ob alle in der nachfolgenden Liste aufgeführten Komponenten vorhanden sind.
2. Sehen Sie sich die Hardwareübersicht an. Siehe Seite 40.
3. Installieren Sie die Hardware. Siehe Seite 41.
4. Weisen Sie eine IP-Adresse zu. Siehe Seite 45.
5. Legen Sie das Kennwort fest. Siehe Seite 48.

### Wichtig!

Verwenden Sie dieses Produkt unter Beachtung der geltenden rechtlichen Bestimmungen.

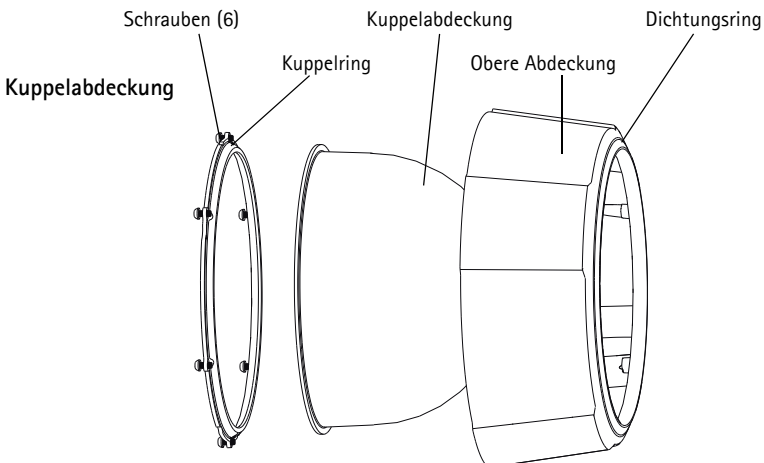
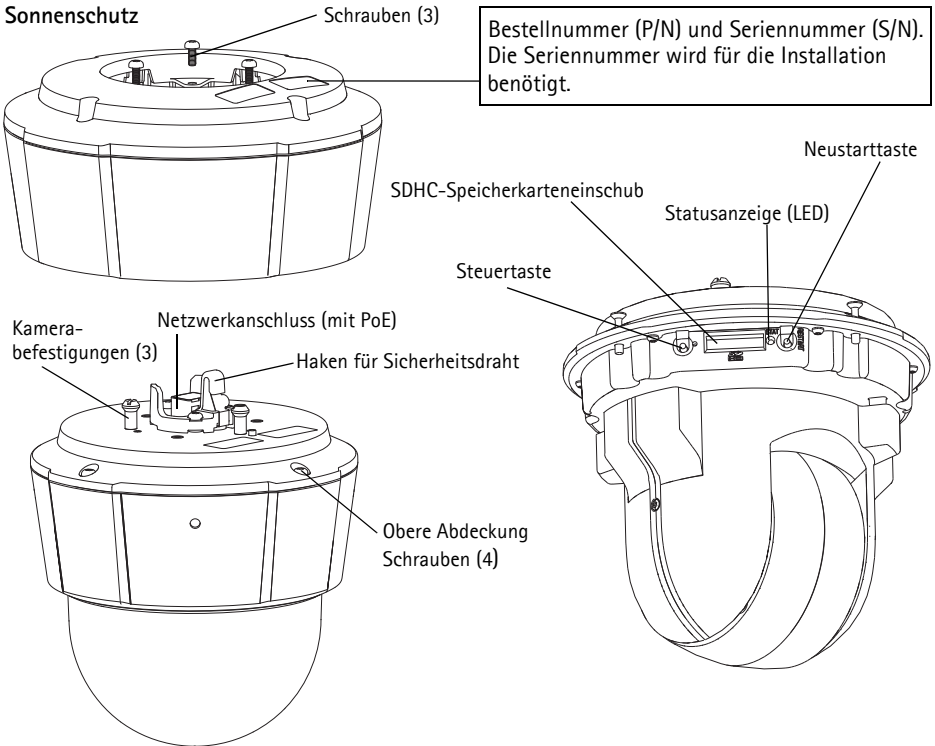
## 1 Lieferumfang

Komponente	Modelle/Varianten/Anmerkungen
Netzwerk-Kamera	AXIS P5532-E/AXIS P5534-E 60 Hz/ 50 Hz
Kuppelabdeckungen	Transparente Klarglasabdeckung (vormontiert) Getönte transparente Abdeckung
High PoE Midspan	AXIS T8123 einschließlich Netzkabel (länderspezifisch)
RJ45-Stecker	IP66-konformer Netzwerkstecker
Sonnenschutz	Kunststoff-Schutzabdeckung, einschließlich Schrauben
CD-ROM	CD für AXIS-Netzwerkvideoprojekte einschließlich Produktdokumentation, Installationswerkzeugen und anderer Software
Gedruckte Dokumente	AXIS P5532-E Installationsanleitung (dieses Dokument) Axis-Garantierklärung Zwei zusätzliche Etiketten mit der Seriennummer

Optionales Zubehör	AXIS T91A Montagezubehör Unter <a href="http://www.axis.com">www.axis.com</a> finden Sie Informationen zum verfügbaren Zubehör
--------------------	---

## 2 Hardwareübersicht

### Sonnenschutz





## 3 Installation der Hardware

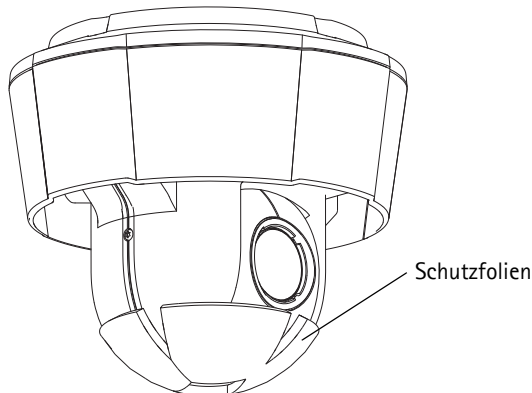
### Vorbereitung der Installation

Lesen Sie zunächst alle Anweisungen, bevor Sie mit der Installationsvorbereitung der Netzwerk-Kamera beginnen. Bei einigen Vorbereitungsschritten muss die obere Abdeckung abgenommen werden, sodass es sinnvoll ist, diese Schritte zusammen durchzuführen. Der Sonnenschutz muss entfernt werden, um eine SD-Karte zu installieren/entfernen. Siehe *Installation einer SD-Speicherkarte (optional)*, auf Seite 42.

- Führen Sie die unter *Entfernen der Schutzfolien* beschriebenen Schritte zur Entfernung der Schutzfolien aus, bevor Sie mit der Installation der Kamera beginnen.
- Im Lieferumfang der Netzwerk-Kamera ist eine transparente Abdeckung in Klarglas und in Rauchglas enthalten. Führen Sie bei Bedarf die Anweisungen unter *Austauschen der klaren/getönten Kuppelabdeckung (optional)* aus, um die Kuppelabdeckung auszutauschen.
- Wenn Sie Bilder lokal in der Netzwerk-Kamera speichern möchten, benötigen Sie eine SD-Speicherkarte mit normaler oder hoher Kapazität (separat erhältlich). Führen Sie die unter *Installation einer SD-Speicherkarte (optional)* beschriebenen Schritte aus, um die Kuppelabdeckung zu entfernen und eine SD-Speicherkarte zu installieren.

### Entfernen der Schutzfolien

1. Lösen Sie die vier Schrauben der oberen Abdeckung und nehmen Sie die Abdeckung ab. Siehe Abbildung auf Seite 40.
2. Entfernen Sie die Schutzfolien.



3. Wenn Sie die klare bzw. getönte Kuppelabdeckung austauschen oder eine SD-Speicherkarte installieren möchten, führen Sie die Anweisungen unter *Austauschen der klaren/getönten Kuppelabdeckung (optional)* bzw. unter *Installation einer SD-Speicherkarte (optional)*, auf Seite 42 aus.
4. Bringen Sie die obere Abdeckung wieder an der ursprünglichen Position an und ziehen Sie die Schrauben fest.

## Austauschen der klaren/getönten Kuppelabdeckung (optional)

### ! WICHTIG!

Diese Kamera verfügt über eine Feuchtigkeit entziehende Membrane, die für eine niedrige Luftfeuchtigkeit in der Kuppel sorgt. Um Kondenswasserbildung zu vermeiden, demontieren Sie die Kamera nicht im Regen oder unter feuchten Bedingungen.

1. Lösen Sie die vier Schrauben der oberen Abdeckung und nehmen Sie die Abdeckung ab. Siehe Abbildung auf Seite 40.
2. Lösen Sie die 6 Schrauben des Kuppelrings und entfernen Sie den Kuppelring von der oberen Abdeckung.
3. Bringen Sie den Kuppelring und die Ersatz-Kuppelabdeckung an der oberen Abdeckung an und befestigen Sie diese, indem Sie die sechs Schrauben anziehen.
4. Zur Installation einer SD-Speicherkarte führen Sie die unter *Installation einer SD-Speicherkarte (optional)* beschriebenen Schritte aus.
5. Bringen Sie die obere Abdeckung wieder an der ursprünglichen Position an und ziehen Sie die Schrauben fest.

### Hinweis:

Achten Sie darauf, die Kuppelabdeckung nicht zu zerkratzen oder zu beschädigen. Lassen Sie, sofern möglich, den Kunststoffschutz bis zum Abschluss der Installation auf der Kuppelabdeckung.

## Installation einer SD-Speicherkarte (optional)

1. Entfernen Sie den Sonnenschutz (siehe Abbildung auf Seite 40).
1. Lösen Sie die vier Schrauben der oberen Abdeckung und nehmen Sie die Abdeckung ab. Siehe Abbildung auf Seite 40.
2. Schieben Sie eine SD-Speicherkarte (separat erhältlich) in den SDHC-Speicherkartenschacht.
3. Bringen Sie die obere Abdeckung wieder an der ursprünglichen Position an und ziehen Sie die Schrauben fest.
4. Bringen Sie den Sonnenschutz wieder an der ursprünglichen Position an und ziehen Sie die Schrauben fest.

### Hinweis:

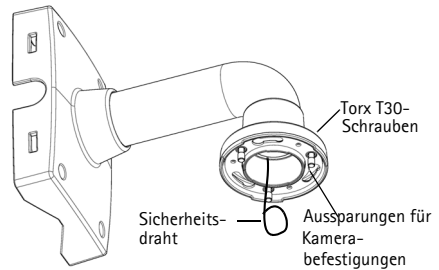
Die SD-Speicherkarte wird automatisch aktiviert, wenn Sie sie in den SDHC-Speicherkarteneinschub einsetzen. Bevor Sie die SD-Speicherkarte entfernen, müssen Sie sie über die Webseiten der Kamera deaktivieren. Wählen Sie hierzu **Setup > System Options > Storage > SD Card** (Setup > Systemoptionen > Speicher > SD-Speicherkarte) und klicken Sie auf **Unmount** (Deaktivieren). Weitere Informationen hierzu finden Sie im Benutzerhandbuch, das sich auf der mitgelieferten CD für Axis-Netzwerkvideoprodukte befindet und auf der Website unter „[www.axis.com](http://www.axis.com)“ erhältlich ist.

## Installation der Netzwerk-Kamera

### ! WICHTIG!

Es muss der mitgelieferte RJ45-Stecker oder ein kompatibler, IP66-konformer RJ45-Stecker verwendet werden, um dem IP66-konformen Design der Kamera zu entsprechen.

1. Montieren Sie die gewünschte Halterung (nicht enthalten) gemäß den im Lieferumfang des Montagesatzes enthaltenen Anweisungen. Falls das Bohren von Löchern erforderlich ist, stellen Sie sicher, dass die Bohrerspitzen, Schrauben und Dübel für den Baustoff der Wand geeignet sind. Mehr Information zum gesamten Befestigungszubehör finden Sie unter [www.axis.com](http://www.axis.com).
2. Ziehen Sie das Netzwerkabel und bringen Sie den mitgelieferten RJ45-Stecker daran an. Informationen zum Verkabeln und zum Zusammenbau finden Sie in den mit dem Stecker gelieferten Anweisungen.
3. Haken Sie die Kamera in den Sicherheitsdraht an der Halterung ein.
4. Verbinden Sie das Netzwerkabel mit dem RJ45-Stecker mit dem Netzwerkanschluss an der Kamera.
5. Installieren Sie den AXIS T8123, siehe *Installation des AXIS T8123 High PoE Midspan 1-Port*, auf Seite 44.
6. Überprüfen Sie, ob die LED-Anzeigen die Betriebszustände korrekt angeben. Weitere Informationen hierzu finden Sie in der Tabelle auf Seite 45.
7. Schieben Sie die Kamerabefestigungen an der Kamera in die Aussparungen in der Halterung und drehen Sie die Kameraeinheit.
8. Befestigen Sie die Netzwerk-Kamera an der Halterung, indem Sie die drei Schrauben (Torx T30) anziehen.



Wandhalterung (Montagebeispiel, Halterung nicht enthalten)

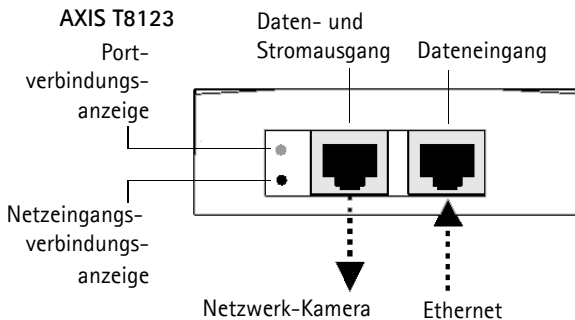
## Installation des AXIS T8123 High PoE Midspan 1-Port

Mit dem Axis T8123 High PoE Midspan können Netzwerk-Videoprodukte von Axis mit einem großen Stromverbrauch über dasselbe Ethernet-Kabel sowohl mit Daten als auch mit Strom versorgt werden. Führen Sie folgende Installationsschritte durch, um den AXIS T8123 anzuschliessen.

### Hinweis:

Axis kann nur mit dem AXIS T8123 eine volle Funktionsfähigkeit gewährleisten. Andere High PoE-Geräte werden nicht unterstützt.

1. Verbinden Sie den AXIS T8123 (Dateneingang) über ein Standard-Netzwerkkabel mit dem Netzwerk-Switch.
2. Verbinden Sie den AXIS T8123 (Daten- und Stromausgang) über das zuvor an die Kamera angeschlossene Netzwerkkabel mit der Netzwerk-Kamera.
3. Schließen Sie den AXIS T8123 über das mitgelieferte Netzkabel an eine Netzsteckdose (100-240 V Wechselstrom) an.





Informationen zu den LEDs auf dem Midspan finden Sie unter *Zuweisen einer IP-Adresse*, auf Seite 45.

## 4 Zuweisen einer IP-Adresse

In den meisten Netzwerken ist heutzutage ein DHCP-Server eingebunden, der angeschlossenen Geräten automatisch IP-Adressen zuweist. Wenn Ihr Netzwerk über keinen DHCP-Server verfügt, wird für die Netzwerk-Kamera die Standard-IP-Adresse 192.168.0.90 verwendet.

Zum Zuweisen einer statischen IP-Adresse stehen unter Windows die Programme **AXIS IP Utility** und **AXIS Camera Management** zur Verfügung. Verwenden Sie die Methode, die für die gewünschte Anzahl der zu installierenden Kameras geeignet ist.

Beide Anwendungen stehen kostenlos auf der mitgelieferten CD für Axis-Netzwerkvideoprodukte zur Verfügung oder können unter „www.axis.com“ heruntergeladen werden.

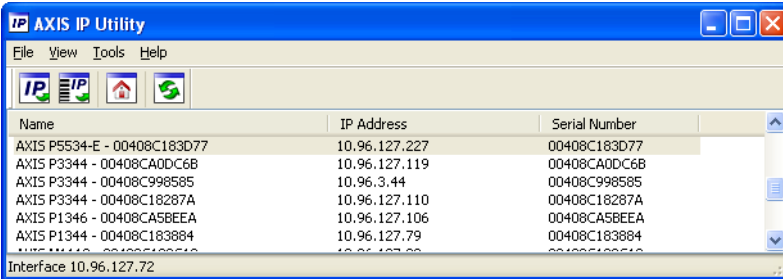
Methode	Empfohlen für	Betriebssystem
 AXIS IP Utility Siehe Seite 46	Einzelne Kamera Kleine Installationen	Windows
 AXIS Camera Management Siehe Seite 47	Mehrere Kameras Große Installationen Installation in einem anderen Subnetz	Windows 2000 Windows XP Pro Windows 2003 Server Windows Vista Windows 7

### Hinweise:

- Falls Sie die IP-Adresse nicht zuweisen können, müssen ggf. die Einstellungen der Firewall überprüft werden.
- Weitere Informationen zu alternativen Methoden zum Festlegen der IP-Adresse, z. B. in anderen Betriebssystemen, finden Sie auf Seite 50.

## AXIS IP Utility – einzelne Kamera/kleine Installation

AXIS IP Utility erkennt automatisch die im Netzwerk vorhandenen Axis-Geräte und zeigt diese an. Die Anwendung kann außerdem zur manuellen Zuweisung einer statischen IP-Adresse verwendet werden.




Beachten Sie, dass sich der Computer, auf dem AXIS IP Utility ausgeführt wird, und die Netzwerk-Kamera in demselben Netzwerksegment (physischen Subnetz) befinden müssen.

### Automatische Erkennung

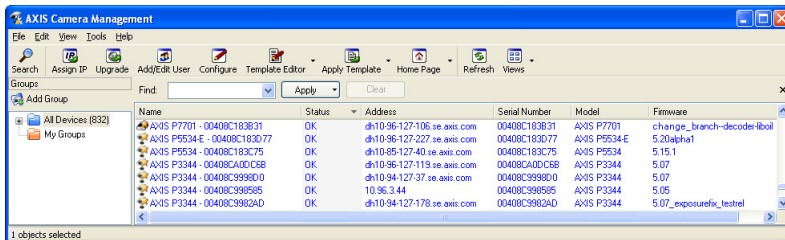
1. Stellen Sie sicher, dass die Kamera an das Netzwerk und die Stromversorgung angeschlossen ist.
2. Starten Sie AXIS IP Utility.
3. Doppelklicken Sie auf das Symbol der Kamera, um die entsprechende Startseite zu öffnen.
4. Anweisungen zum Festlegen des Kennworts finden Sie auf Seite 48.

### Manuelle Zuweisung der IP-Adresse (optional)

1. Wählen Sie eine nicht zugewiesene IP-Adresse im selben Netzwerksegment, in dem sich Ihr Computer befindet.
2. Wählen Sie die Netzwerk-Kamera in der Liste aus.
3. Klicken Sie auf die Schaltfläche **Assign new IP address to the selected device**  (Zuweisung einer neuen IP-Adresse an das ausgewählte Gerät) und geben Sie die IP-Adresse ein.
4. Klicken Sie auf die Schaltfläche **Assign** (Zuweisen) und befolgen Sie die angezeigten Anweisungen. Beachten Sie, dass die Kamera innerhalb von 2 Minuten neu gestartet werden muss, um die neue IP-Adresse festzulegen.
5. Klicken Sie auf die Schaltfläche **Home Page** (Startseite), um auf die Webseiten der Kamera zuzugreifen.
6. Anweisungen zum Festlegen des Kennworts finden Sie auf Seite 48.

## AXIS Camera Management – mehrere Kameras/große Installationen

Mit AXIS Camera Management können automatisch mehrere Axis-Geräte erkannt, der Verbindungsstatus angezeigt, die Firmware-Aktualisierungen verwaltet und IP-Adressen festgelegt werden.



### Automatische Erkennung

1. Stellen Sie sicher, dass die Kamera an das Netzwerk und die Stromversorgung angeschlossen ist.
2. Starten Sie AXIS Camera Management. Wenn die Netzwerk-Kamera im Fenster angezeigt wird, klicken Sie mit der rechten Maustaste darauf und wählen Sie **Live View Home Page** (Homepage der Live-Ansicht).
3. Anweisungen zum Festlegen des Kennworts finden Sie auf Seite 48.

### Zuweisen einer IP-Adresse für ein einzelnes Gerät

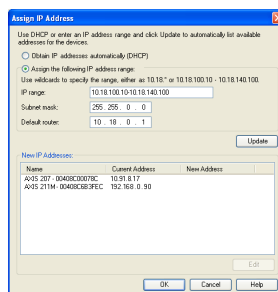
1. Wählen Sie in AXIS Camera Management die Netzwerk-Kamera aus und klicken Sie auf die Schaltfläche **Assign IP** (IP-Adresse zuweisen).
2. Wählen Sie die Option **Assign the following IP address** (Folgende IP-Adresse zuweisen) und geben Sie die IP-Adresse, die Subnetzmaske und den Standardrouter für das Gerät ein.
3. Klicken Sie auf **OK**.



### Zuweisen von IP-Adressen für mehrere Geräte

AXIS Camera Management beschleunigt die Zuweisung von IP-Adressen an mehrere Geräte, indem IP-Adressen aus einem angegebenen Bereich vorgeschlagen werden.

1. Wählen Sie die zu konfigurierenden Geräte aus (es können auch unterschiedliche Modelle gewählt werden) und klicken Sie auf die Schaltfläche **Assign IP** (IP-Adresse zuweisen).
2. Wählen Sie die Option **Assign the following IP address range** (Folgenden IP-Adressbereich zuweisen) und geben Sie den IP-Adressbereich, die Subnetzmaske und den Standardrouter für die Geräte ein.
3. Klicken Sie auf **Update** (Aktualisieren). Die vorgeschlagenen IP-Adressen werden in der Liste **New IP Addresses** (Neue IP-Adressen) aufgeführt. Wenn Sie eine IP-Adresse ändern möchten, wählen Sie das Gerät aus und klicken Sie auf die Schaltfläche „Edit“ (Bearbeiten).
4. Klicken Sie auf **OK**.



## 5 Festlegen des Kennworts

Für den Zugriff auf das Produkt muss das Kennwort für den standardmäßigen Administrator-Benutzer **root** festgelegt werden. Beim erstmaligen Zugriff auf die Netzwerk-Kamera wird das Dialogfeld „Configure Root Password“ (Root-Kennwort konfigurieren) angezeigt. Dort kann das Kennwort festgelegt werden.

Um ein Abhören der Netzwerkkommunikation während der Festlegung des Root-Kennworts zu vermeiden, können Sie diesen Vorgang über eine verschlüsselte HTTPS-Verbindung durchführen, die ein HTTPS-Zertifikat erfordert.

**Hinweis:** Das Protokoll HTTPS (Hypertext Transfer Protocol over Secure Socket Layer) wird verwendet, um den Datenverkehr zwischen Webbrowsern und Servern zu verschlüsseln. Das HTTPS-Zertifikat steuert den verschlüsselten Informationsaustausch.

Zum Festlegen des Kennworts über eine standardmäßige HTTP-Verbindung geben Sie es direkt in das erste unten abgebildete Dialogfeld ein.

Um das Kennwort über eine verschlüsselte HTTPS-Verbindung festzulegen, führen Sie die folgenden Schritte aus:

1. Klicken Sie auf die Schaltfläche **Create self-signed certificate** (Selbstsigniertes Zertifikat erstellen).
2. Geben Sie die angeforderten Informationen ein und klicken Sie auf **OK**. Das Zertifikat wird erstellt, und das Kennwort kann jetzt sicher festgelegt werden. Der gesamte Datenverkehr der Netzwerk-Kamera wird ab diesem Zeitpunkt verschlüsselt.
3. Geben Sie ein Kennwort ein, und wiederholen Sie die Eingabe, um die korrekte Schreibweise zu bestätigen. Klicken Sie auf **OK**. Damit ist das Kennwort konfiguriert.

Klicken Sie zum Herstellen einer HTTPS-Verbindung zunächst auf diese Schaltfläche.

Um das Kennwort direkt über eine unverschlüsselte Verbindung zu konfigurieren, geben Sie es hier ein.

4. Geben Sie in das Anmeldungsdialogfeld den Benutzernamen „root“ wie erforderlich ein.  
**Hinweis:** Der standardmäßige Administrator-Benutzername **root** kann nicht gelöscht werden.



- Geben Sie das zuvor festgelegte Kennwort ein und klicken Sie auf „OK“.  
**Hinweis:** Wenn Sie das Kennwort vergessen haben, muss die Kamera auf die Werkseinstellungen zurückgesetzt werden. Siehe Seite 53.

## Zugriff auf den Videostrom

Die Seite „Live View“ (Live-Ansicht) der Netzwerk-Kamera wird geöffnet. Sie enthält Links zu Setup-Tools, mit denen Sie die Kamera Ihren Anforderungen entsprechend anpassen können.

Klicken Sie bei Bedarf auf Yes (Ja), um AMC (AXIS Media Control) zu installieren. Nach Abschluss der Installation können Sie Videostreams in Internet Explorer anzeigen. Hierzu müssen Sie über Administratorrechte für den Computer verfügen.

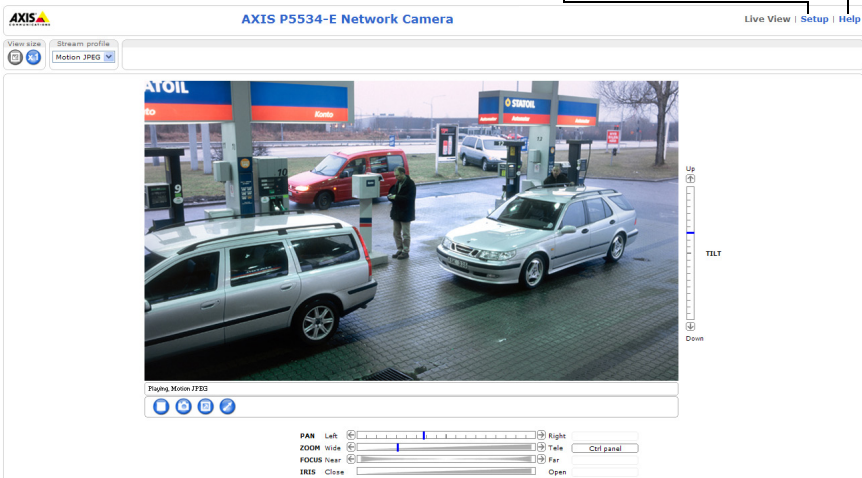
Falls nötig, klicken Sie auf den Link, um fehlende Decoder zu installieren.

### Hinweis:

Für die Installation von AMC unter Windows Vista müssen Sie Internet Explorer als Administrator ausführen. Klicken Sie mit der rechten Maustaste auf das Internet Explorer-Symbol und wählen Sie **Als Administrator ausführen**.

**Setup:** Alle zur benutzerspezifischen Konfiguration der Kamera notwendigen Werkzeuge.

**Hilfe:** Zum Aufrufen der Online-Hilfe für die Kamera.



## Andere Methoden zum Festlegen der IP-Adresse

Diese Tabelle bietet einen Überblick über weitere Methoden, die IP-Adresse festzulegen bzw. zu ermitteln. Alle Methoden sind standardmäßig aktiviert und können deaktiviert werden.

	Verwendung im Betriebssystem	Hinweise
UPnP™	Windows	Wenn die Funktion auf dem Computer aktiviert ist, wird die Kamera automatisch erkannt und zu „Netzwerkumgebung“ hinzugefügt.
Bonjour	MAC OSX (10.4 oder höher)	Kann nur bei Browsern verwendet werden, die Bonjour unterstützen. Navigieren Sie zum Bonjour-Lesezeichen Ihres Browsers (z. B. Safari) und klicken Sie auf den Link, um auf die Webseiten der Kamera zu gelangen.
AXIS Dynamic DNS Service	Alle	Ein kostenloser Service von Axis, mit dem Sie Ihre Kamera schnell und einfach installieren können. Eine Internetverbindung ohne HTTP-Proxyserver ist Voraussetzung. Weitere Informationen hierzu finden Sie auf „www.axiscam.net“.
ARP/Ping	Alle	Siehe unten. Der Befehl muss innerhalb von 2 Minuten erfolgen, nachdem die Kamera an das Stromnetz angeschlossen wurde.
DHCP-Server	Alle	Hinweise zum Anzeigen der Administrationsseiten des DHCP-Servers im Netzwerk finden Sie in der Serverdokumentation.

## AXIS Video Hosting System (AVHS)

Die Kamera kann auch an einen AVHS-Service für gehostetes Video angeschlossen werden. Wenn Sie einen AVHS-Service abonniert haben, befolgen Sie die Anweisungen im Installationshandbuch des Diensteanbieters. Weitere Informationen zu lokalen AVHS-Diensteanbietern finden Sie unter „www.axis.com/hosting“.

Der **Authentifizierungsschlüssel des Kameraeigentümers** befindet sich auf der Rückseite dieses Dokuments. Der Schlüssel ist der eindeutigen Seriennummer (S/N) der Kamera zugeordnet, die sich oben auf dem Etikett befindet.

Hinweis:

Bewahren Sie den Schlüssel auf, um ihn später verfügbar zu haben.

## Zuweisen der IP-Adresse per ARP/Ping

1. Wählen Sie eine IP-Adresse aus dem Netzwerksegment, in dem sich auch Ihr Computer befindet.
2. Suchen Sie die Seriennummer (S/N) auf dem Produktaufkleber an der Kamera.
3. Öffnen Sie auf Ihrem Computer die Eingabeaufforderung und geben Sie die folgenden Befehle ein:

<b>Windows-Syntax:</b>	Beispiel für Windows:
arp -s <IP-Adresse> <Seriennummer> ping -l 408 -t <IP-Adresse>	arp -s 192.168.0.125 00-40-8c-18-10-00 ping -l 408 -t 192.168.0.125
<b>Syntax unter UNIX/Linux/Mac:</b>	Beispiel für UNIX/Linux/Mac:
arp -s <IP-Adresse> <Seriennummer> temp ping -s 408 <IP-Adresse>	arp -s 192.168.0.125 00:40:8c:18:10:00 temp ping -s 408 192.168.0.125

4. Stellen Sie sicher, dass das Netzkabel mit der Kamera verbunden ist und starten Sie die Kamera bzw. starten Sie diese neu, indem Sie die Stromversorgung unterbrechen und wiederherstellen.
5. Schließen Sie die Befehlszeile, sobald „Reply from 192.168.0.125:“ ...' oder eine ähnliche Meldung erscheint.
6. Starten Sie einen Browser, geben Sie im Adressfeld „http://<IP-Adresse>“ ein und drücken Sie die Eingabetaste auf der Tastatur.

### Hinweise:

- So öffnen Sie die Eingabeaufforderung unter Windows: Wählen Sie im Startmenü die Option **Ausführen...** und geben Sie „cmd“ ein. Klicken Sie auf **OK**.
- Klicken Sie zum Eingeben des Befehls „ARP“ unter Windows Vista mit der rechten Maustaste auf das Befehlszeilensymbol und wählen Sie **Als Administrator ausführen**.
- Verwenden Sie zum Eingeben des Befehls „ARP“ unter Mac OS X das Dienstprogramm „Terminal“, das Sie unter **Programme > Dienstprogramme** finden.

## Statusanzeigen

Gerät	Farbe	Bedeutung
AXIS P5532-E AXIS P5534-E	Leuchtet nicht	Konstante Verbindung/Normalbetrieb
	Gelb	Leuchtet konstant bei der Systeminitialisierung und beim Zurücksetzen auf die Werkseinstellungen. Blinkt bei der Firmware-Aktualisierung.
	Gelb/rot	Keine Netzwerkverbindung vorhanden
	Rot	Firmware-Aktualisierung fehlgeschlagen
	Grün	Konstant für 10 Sek. nach erfolgreichem Neustart

### Hinweis:

Weitere Informationen zu den AXIS P5532-E/AXIS P5534-E Statusanzeigen finden Sie im Benutzerhandbuch-, das sich auf der mitgelieferten CD für Axis-Netzwerkvideoprodukte befindet und auf der Website unter „[www.axis.com](http://www.axis.com)“ erhältlich ist.

Gerät		Farbe	Bedeutung
AXIS T8123	Port	Leuchtet nicht	Keine Kamera angeschlossen
		Blinkt	Stromüberlast oder anderer Fehler bei der Eingangsspannung
		Grün	Kamera verbunden, normales Verhalten
	Netzeingang	Konstant grün	Netzstrom verbunden

## Wiederherstellen der werkseitigen Standardeinstellungen

Wenn Sie die Kamera auf die Werkseinstellungen zurücksetzen möchten, drücken Sie die Steuertaste und die Neustarttaste an der Seite der Kamera (siehe „*Hardwareübersicht*“, auf Seite 40) wie im Folgenden beschrieben:

So setzen Sie mithilfe der Steuer- und der Neustarttaste sämtliche Parameter einschließlich der IP-Adresse auf die werkseitigen Standardeinstellungen zurück:

1. Entfernen Sie den Sonnenschutz (siehe Abbildung auf Seite 40).
2. Nehmen Sie die obere Abdeckung ab, siehe *Entfernen der Schutzfolien*, auf Seite 41.
3. Drücken Sie gleichzeitig die Steuer- und die Neustarttaste und halten Sie die Tasten gedrückt.
4. Lassen Sie die Neustarttaste los und halten Sie die Steuertaste weiterhin gedrückt.
5. Halten Sie die Steuertaste, bis die Statusanzeige in regelmäßigen Intervallen gelb blinkt (dies kann bis zu 15 Sekunden dauern).
6. Lassen Sie die Steuertaste los.
7. Wenn die Statusanzeige grün wird (was bis zu einer Minute lang dauern kann), ist der Vorgang abgeschlossen, und die Kamera wurde zurückgesetzt. Die Kamera hat jetzt die Standard-IP-Adresse 192.168.0.90.
8. Bringen Sie die obere Abdeckung wieder an der ursprünglichen Position an.
9. Bringen Sie den Sonnenschutz wieder an der ursprünglichen Position an.
10. Legen Sie die IP-Adresse erneut fest. Wenden Sie dabei eines der unter *Zuweisen einer IP-Adresse*, auf Seite 45 beschriebenen Verfahren an.

Die Parameter können auch über die Weboberfläche auf die werkseitigen Einstellungen zurückgesetzt werden. Weitere Informationen hierzu finden Sie in der Online-Hilfe und im Benutzerhandbuch auf der mitgelieferten CD für Axis-Netzwerkvideoprodukte.

## Zugriff auf die Kamera über das Internet

Sobald die Netzwerk-Kamera installiert ist, können Sie in Ihrem lokalen Netzwerk (LAN) darauf zugreifen. Um auch über das Internet auf die Kamera zugreifen zu können, müssen Sie die Netzwerk-Router so konfigurieren, dass diese den entsprechenden eingehenden Datenverkehr zulassen, was üblicherweise durch Zuweisung eines bestimmten Ports geschieht.

- HTTP-Port (standardmäßig Port 80) für die Anzeige und Konfiguration
- RTSP-Port (standardmäßig Port 554) für die Anzeige von H.264-Videostreamen

Ausführliche Informationen zu diesem Thema finden Sie in der Dokumentation des Routers. Weitere Informationen zu diesem und zu anderen Themen erhalten Sie auf der Axis Support-Website unter „[www.axis.com/techsup](http://www.axis.com/techsup)“.

## Weitere Informationen

Das Benutzerhandbuch ist auf der Axis Website unter „<http://www.axis.com>“ erhältlich und befindet sich auch auf der mitgelieferten CD für Axis-Netzwerkvideoprodukte.

### Tipp!

Unter „[www.axis.com/techsup](http://www.axis.com/techsup)“ finden Sie Firmware-Aktualisierungen für Ihre Netzwerk-Kamera. Informationen zur aktuellen Firmware-Version finden Sie unter **Setup > About** (Setup - Info).



# Precauzioni

Leggere per intero e con attenzione questa Guida all'installazione prima di installare il prodotto. Conservare la Guida all'installazione per ulteriori riferimenti.

## ATTENZIONE!

- Quando si trasporta un prodotto Axis, utilizzare l'imballo originale o un imballo equivalente per evitare danni al prodotto.
- Evitare di esporre il prodotto Axis a vibrazioni, urti o pressioni eccessive e non installare la telecamera su staffe instabili, superfici o pareti instabili o vibranti, poiché in tal modo si potrebbe danneggiare il prodotto.
- Per l'installazione del prodotto Axis, utilizzare solo attrezzi manuali, l'utilizzo di utensili elettrici o l'applicazione di una forza eccessiva potrebbero danneggiare il prodotto.
- Non utilizzare sostanze chimiche, agenti caustici o detersivi aerosol. Utilizzare un panno umido per la pulizia.
- Utilizzare solo accessori e parti di ricambio forniti o consigliati da Axis.
- Non tentare di riparare da soli il prodotto, ma contattare Axis o il rivenditore Axis per qualsiasi argomento relativo all'assistenza tecnica.

## IMPORTANTE!

- Questo prodotto Axis deve essere utilizzato in conformità alle leggi e alle regolamentazioni locali.

## Sostituzione della batteria

Questo prodotto Axis utilizza una batteria al litio CR2032 da 3,0V come sorgente di alimentazione per l'orologio in tempo reale (RTC) interno. In condizioni normali, la batteria dura almeno 5 anni. Una scarsa potenza della batteria influisce sul funzionamento dell'RTC, causandone la reimpostazione a ogni accensione. Quando la batteria necessita di sostituzione, appare un messaggio di log. La batteria non deve essere sostituita se non è necessario!

Se è necessario sostituire la batteria, visitare la pagina web [www.axis.com/techsup](http://www.axis.com/techsup) per assistenza.

- La sostituzione non corretta della batteria comporta il pericolo di esplosioni.
- Sostituire solo con una batteria uguale o equivalente, come consigliato dal produttore.
- Smaltire le batterie usate secondo le istruzioni del produttore.

## Pulizia del coperchio della cupola

- Fare attenzione a non graffiare o danneggiare la cupola. Non pulire la cupola che visivamente sembra pulita e non lucidarne mai la superficie. La pulizia eccessiva può danneggiare la superficie.
- Per la pulizia generica della cupola si consiglia di utilizzare un sapone o un detersivo neutro, non abrasivo e privo di solventi, con acqua e un panno morbido. Risciacquare bene con acqua pulita tiepida. Asciugare con un panno morbido per evitare macchie causate dall'acqua.
- Non usare mai detersivi aggressivi, benzina, benzene, acetone, ecc. ed evitare le operazioni di pulizia sotto la luce solare diretta o con temperature elevate.



# Guida all'installazione

## AXIS P5532-E/AXIS P5534-E

Questo documento fornisce le istruzioni necessarie per installare la Telecamera di rete PTZ a cupola AXIS P5532-E/AXIS P5534-E nella rete in uso. Per ulteriori informazioni sull'utilizzo del prodotto, consultare la Guida per l'utente disponibile sul CD incluso nella confezione oppure visitare il sito web all'indirizzo [www.axis.com](http://www.axis.com)

### Procedura di installazione

1. Controllare il contenuto della confezione con l'elenco che segue.
2. Panoramica dell'hardware. Vedere a pagina 58.
3. Installazione dell'hardware. Vedere a pagina 59.
4. Assegnazione di un indirizzo IP. Vedere a pagina 63.
5. Impostazione della password. Vedere a pagina 66.

#### Importante!

Questo prodotto deve essere usato in conformità alle leggi e ai regolamenti locali.

### 1 Contenuto della confezione

Elemento	Modelli/varianti/note
Telecamera di rete	AXIS P5532-E/AXIS P5534-E 60Hz/50Hz
Coperture a cupola	Copertura trasparente chiara (premontata) Copertura trasparente scura
Midspan High PoE	Telecamera AXIS T8123 con cavo di alimentazione (specifico per il paese)
Connettore RJ45	Connettore di rete di classe IP66
Parasole	Copertura di protezione in plastica con viti
CD	CD del prodotto con tecnologia video di rete AXIS, comprensivo della documentazione del prodotto, utensili di installazione ed altro software
Materiali stampati	Guida all'installazione della AXIS P5532-E (questo documento) Documento di garanzia Axis Etichetta aggiuntiva con numero di serie (2x)

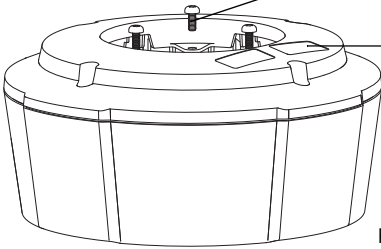
Accessori opzionali	Accessori per il montaggio AXIS T91A Visitare il sito web <a href="http://www.axis.com">www.axis.com</a> per informazioni sugli accessori disponibili
---------------------	--

## 2 Panoramica dell'hardware

Parasole

Viti (3)

Codice prodotto (P/N) e numero di serie (N/S).  
Il numero di serie potrebbe essere necessario durante l'installazione.



Alloggiamento scheda SDHC

Pulsante di riavvio

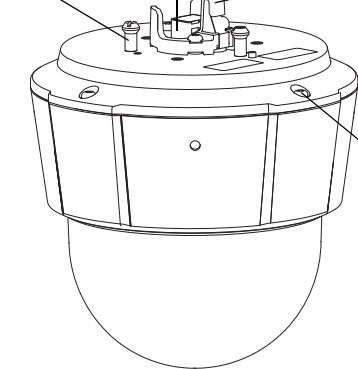
LED di stato

Pulsante di comando

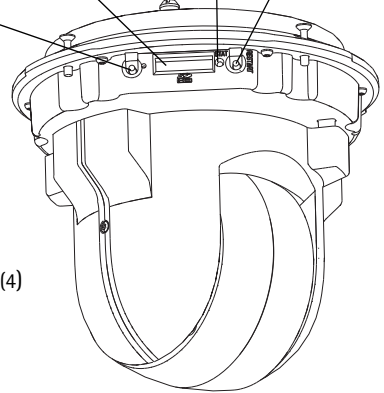
Supporti dell'unità (3)

Connettore di rete (PoE)

Gancio del cavo di sicurezza



Viti della copertura superiore (4)



Copertura a cupola

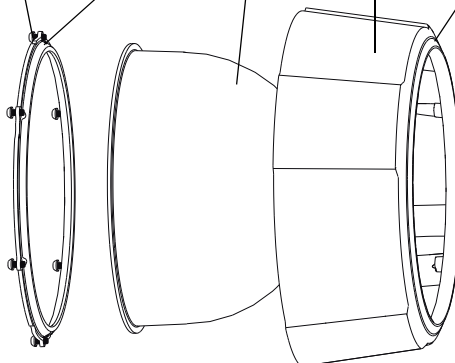
Viti (6)

Copertura a cupola

Guarnizione ad anello

Anello della cupola

Copertura superiore



## 3 Installazione dell'hardware

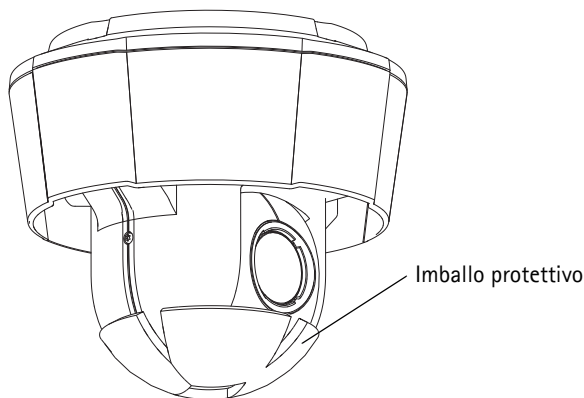
### Preparazione dell'installazione

Leggere tutte le istruzioni prima di prepararsi ad installare la telecamera di rete, poiché numerose fasi di preparazione dell'installazione richiedono la rimozione della copertura superiore ed è opportuno che vengano completate insieme. Per installare/rimuovere la scheda SD, è necessario rimuovere il parasole, vedere *Installazione di una scheda SD (facoltativa)*, a pagina 60.

- Seguire le istruzioni in *Rimuovere l'imballo protettivo*, più avanti, per rimuovere l'imballo protettivo prima di installare la telecamera.
- La telecamera di rete viene fornita con una copertura trasparente chiara ed una copertura trasparente oscurata. Se necessario, seguire le istruzioni in *Sostituire la copertura a cupola trasparente/oscurata (facoltativa)*, più avanti, per sostituire la copertura a cupola.
- Per memorizzare localmente le immagini riprese dalla telecamera di rete, è necessaria una scheda SD (non inclusa) con capacità standard o elevata. Seguire le istruzioni in *Installazione di una scheda SD (facoltativa)*, più avanti, per rimuovere il coperchio della cupola prima di installare una scheda SD.

### Rimuovere l'imballo protettivo

1. Allentare le 4 viti della copertura superiore e rimuoverla, come nell'illustrazione a pagina 58.
2. Rimuovere l'imballo protettivo.



3. Se si deve sostituire la copertura a cupola chiara/oscurata o installare una scheda SD, fare riferimento alle istruzioni in *Sostituire la copertura a cupola trasparente/oscurata (facoltativa)* e *Installazione di una scheda SD (facoltativa)*, a pagina 60.
4. Rimontare la copertura posteriore nella posizione originale e serrare le viti.

## Sostituire la copertura a cupola trasparente/oscurata (facoltativo)

### ! IMPORTANTE!

Questa telecamera è dotata di una membrana deumidificante per mantenere basso il livello di umidità nella cupola. Per evitare fenomeni di condensa, non smontare la telecamera in caso di pioggia o elevata umidità atmosferica.

1. Allentare le 4 viti della copertura superiore e rimuoverla, come nell'illustrazione a pagina 58.
2. Rimuovere le 6 viti dell'anello della copertura e rimuovere l'anello dalla copertura superiore.
3. Fissare l'anello della cupola e la copertura a cupola sostitutiva sulla copertura superiore serrando le 6 viti.
4. Se si installa una scheda SD, fare riferimento alle istruzioni in *Installazione di una scheda SD (facoltativa)*, più avanti.
5. Rimontare la copertura posteriore nella posizione originale e serrare le viti.

### Nota:

Fare attenzione a non graffiare o danneggiare la copertura a cupola. Se possibile, tenere la plastica protettiva sul coperchio della cupola fino a quando l'installazione non è terminata.

## Installazione di una scheda SD (facoltativa)

1. Rimuovere il parasole, vedere la figura a pagina 58.
1. Allentare le 4 viti della copertura superiore e rimuoverla, come nell'illustrazione a pagina 58.
2. Inserire una scheda SD (non inclusa) nell'alloggiamento per la scheda SDHC (Secure Digital High Capacity).
3. Rimontare la copertura posteriore nella posizione originale e serrare le viti.
4. Rimontare il parasole nella posizione originale e serrare le viti.

### Nota:

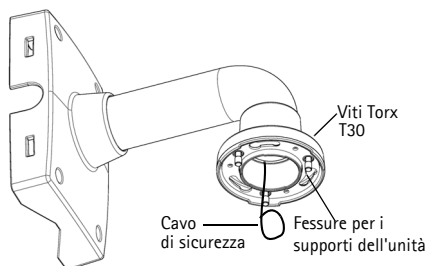
La scheda SD viene montata automaticamente quando la si inserisce nell'alloggiamento per la scheda SDHC. Tuttavia, prima di rimuovere la scheda SD, questa dovrebbe essere smontata per mezzo delle pagine web della telecamera. Selezionare **Setup (Configurazione) > System Options (Opzioni di sistema) > Storage (Archiviazione) > SD Card (Scheda SD)** e fare clic su **Unmount (Smonta)**. Per ulteriori informazioni, leggere la Guida per l'utente, disponibile sul CD del prodotto con tecnologia video di rete AXIS fornito insieme al prodotto, oppure sul sito web di Axis all'indirizzo [www.axis.com](http://www.axis.com).

## Installazione della telecamera di rete

### ! IMPORTANTE!

Per mantenere inalterate le caratteristiche di tenuta di classe IP66 della telecamera, usare il connettore RJ45 fornito o un connettore RJ45 compatibile di classe.

1. Installare la staffa selezionata (non inclusa) secondo le istruzioni fornite con la staffa. Se è necessario forare, assicurarsi di utilizzare punte, viti e tasselli adatti al materiale. Visitare il sito web [www.axis.com](http://www.axis.com) per informazioni sugli accessori di montaggio disponibili.
2. Installare il cavo di rete e montare il connettore RJ45 fornito. Fare riferimento alle istruzioni fornite con il connettore per le informazioni su cablaggio e montaggio.
3. Agganciare la telecamera al cavo di sicurezza della staffa.
4. Collegare il cavo di rete e il connettore RJ45 al connettore di rete sulla telecamera.
5. Installare l'unità AXIS T8123, vedere *Installazione del Midspan con 1 porta AXIS PoE AXIS T8123*, a pagina 62.
6. Controllare che i LED di segnalazione del midspan indichino le condizioni corrette e consultare la tabella a pagina 63 per ulteriori dettagli.
7. Far scorrere i supporti della telecamera nelle scanalature della staffa e ruotare la telecamera.
8. Fissare la telecamera di rete alla staffa di montaggio serrando le 3 viti (Torx T30).



Staffa di montaggio a muro (esempio di montaggio, la staffa non è inclusa)

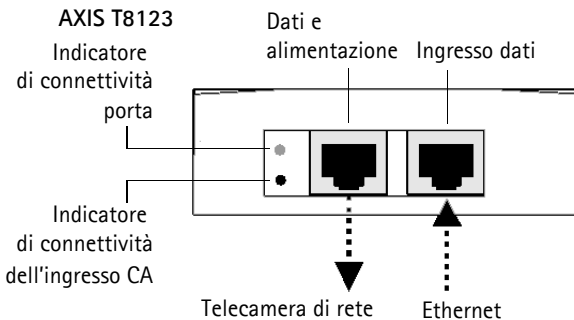
## Installazione del Midspan con 1 porta AXIS PoE AXIS T8123

Il midspan Axis T8123 High PoE consente di alimentare e trasmettere dati ai prodotti con tecnologia video di rete di Axis che consumano molta potenza utilizzando un unico cavo di rete Ethernet. Attenersi alla seguente procedura per collegare l'unità AXIS T8123.

### Nota:

Axis garantisce un funzionamento corretto solo se si utilizza il midspan AXIS T8123 e non supporta altri dispositivi High PoE.

1. Collegare il midspan AXIS T8123 (ingresso dati) allo switch di rete utilizzando un cavo di rete standard.
2. Collegare l'unità AXIS AXIS T8123 (uscita dati e alimentazione) alla telecamera di rete, utilizzando il cavo di rete già connesso alla telecamera.
3. Collegare il midspan AXIS T8123 a una presa CA (100-240 VCA) utilizzando il cavo di alimentazione fornito.





Per informazioni sui LED del midspan, vedere *Assegnazione di un indirizzo IP*, a pagina 63.

## 4 Assegnazione di un indirizzo IP

La maggior parte delle reti dispone di un server DHCP che assegna automaticamente gli indirizzi IP alle periferiche connesse. Se la rete non dispone di un server DHCP, per la telecamera di rete viene utilizzato l'indirizzo IP predefinito 192.168.0.90.

Per assegnare un indirizzo IP statico, utilizzare **AXIS IP Utility** o **AXIS Camera Management** in ambiente Windows. In base al numero di videocamere da installare, utilizzare il metodo che meglio si adatta alle proprie esigenze.

Entrambe le applicazioni sono disponibili gratuitamente sul CD del prodotto con tecnologia video di rete Axis oppure possono essere scaricate dal sito web all'indirizzo [www.axis.com](http://www.axis.com).

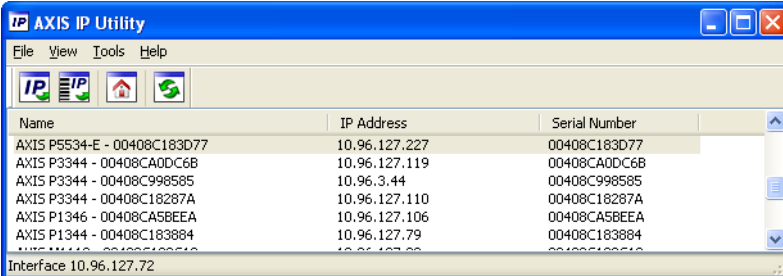
Metodo	Consigliato per	Sistema operativo
 AXIS IP Utility Vedere pagina 64	Videocamera singola Piccole installazioni	Windows
 AXIS Camera Management Vedere pagina 65	Più videocamere Grandi installazioni Installazione in una subnet diversa	Windows 2000 Windows XP Pro Windows 2003 Server Windows Vista Windows 7

### Note:

- Se l'assegnazione dell'indirizzo IP non è riuscita correttamente, verificare che non siano presenti firewall che bloccano l'operazione.
- Per altri metodi di assegnazione o rilevazione dell'indirizzo IP, per esempio in altri sistemi operativi, vedere a pagina 68.

## AXIS IP Utility: telecamera singola/piccole installazioni

AXIS IP Utility rileva e visualizza automaticamente i dispositivi Axis collegati alla rete. L'applicazione inoltre può essere utilizzata per assegnare manualmente un indirizzo IP statico.




Si tenga presente che la telecamera di rete deve essere installata sullo stesso segmento di rete (subnet fisica) del computer sul quale è in esecuzione AXIS IP Utility.

### Rilevamento automatico

1. Verificare che la telecamera sia collegata alla rete ed alimentata correttamente.
2. Avviare AXIS IP Utility.
3. Quando la telecamera viene visualizzata nella finestra, selezionarla con un doppio clic per aprire la home page.
4. Vedere la pagina 66 per istruzioni su come assegnare la password.

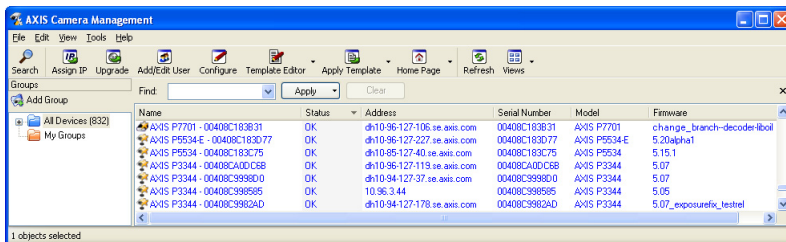
### Assegnazione manuale dell'indirizzo IP (opzionale)

1. Acquisire un indirizzo IP non utilizzato sullo stesso segmento di rete del computer.
2. Selezionare la telecamera di rete dall'elenco.
3. Fare clic sul pulsante **Assign new IP address to the selected device** (Assegna un nuovo indirizzo IP alla periferica selezionata)  e immettere l'indirizzo IP.
4. Fare clic su **Assign** (Assegna) e seguire le istruzioni visualizzate. Si tenga presente che la telecamera deve essere riavviata entro due minuti per impostare il nuovo indirizzo IP.
5. Fare clic sul pulsante **Home Page** (Pagina home) per accedere alle pagine web della telecamera.
6. Vedere la pagina 66 per le istruzioni sull'impostazione della password.



## AXIS Camera Management: più telecamere/grandi installazioni


È possibile utilizzare AXIS Camera Management per individuare automaticamente la presenza di più periferiche Axis, mostrare lo stato di connessione, gestire gli aggiornamenti del firmware ed assegnare gli indirizzi IP.



### Rilevamento automatico

1. Verificare che la telecamera sia collegata alla rete e alimentata correttamente.
2. Avviare AXIS Camera Management. Non appena la telecamera di rete viene visualizzata nella finestra, fare clic con il pulsante destro sul collegamento e selezionare **Live View Home Page** (Immagini dal vivo).
3. Vedere a pagina 66 le istruzioni per impostare la password.


### Assegnazione di un indirizzo IP ad un singolo dispositivo

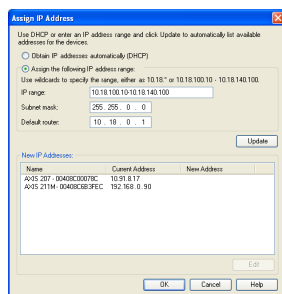
1. Selezionare la telecamera di rete in AXIS Camera Management e fare clic sul pulsante **Assign IP** (Assegna IP) .
2. Selezionare **Assign the following IP address** (Assegna il seguente indirizzo IP) e immettere l'indirizzo IP, la subnet mask e il router predefinito utilizzati dalla periferica.
3. Fare clic su **OK**.



### Assegnazione degli indirizzi IP a più telecamere

AXIS Camera Management facilita il processo di assegnazione degli indirizzi IP di più periferiche, suggerendo gli indirizzi IP in base a un intervallo specifico.

1. Selezionare le periferiche che si desidera configurare (è possibile selezionare più modelli) e fare clic sul pulsante **Assign IP** (Assegna IP) .
2. Selezionare **Assign the following IP address range** (Assegna il seguente intervallo di indirizzi IP) e immettere l'intervallo di indirizzi IP, la subnet mask e il router predefinito utilizzati dalla periferica.
3. Fare clic su **Update** (Aggiorna). Gli indirizzi IP suggeriti sono elencati sotto a **New IP Addresses** (Nuovi indirizzi IP) e possono essere modificati selezionando una periferica e facendo clic su **Edit** (Modifica).
4. Fare clic su **OK**.



## 5 Impostazione della password

Per ottenere l'accesso al prodotto, è necessario impostare la password dell'utente amministratore predefinito **root**. Questa operazione può essere effettuata nella finestra di dialogo **'Configure Root Password'** (Configura password root), che viene visualizzata quando si accede alla rete per la prima volta.

Per evitare l'interruzione della connessione di rete durante l'impostazione della password root, è possibile eseguire questa operazione tramite la connessione crittografata HTTPS, che richiede un certificato HTTPS.

**Nota:** HTTPS (Hypertext Transfer Protocol over Secure Socket Layer) è un protocollo utilizzato per crittografare il traffico tra i browser e i server web. Il certificato HTTPS controlla lo scambio crittografato di informazioni.

Per impostare la password tramite una connessione HTTP standard, inserirla direttamente nella prima finestra di dialogo mostrata di seguito.

Per impostare la password tramite una connessione HTTPS crittografata, attenersi alla seguente procedura.

1. Fare clic sul pulsante **Create self-signed certificate** (Crea certificato autofirmato).
2. Fornire le informazioni richieste e fare clic su **OK**. Il certificato viene creato e la password può essere ora impostata in modo sicuro. Da questo momento in poi tutto il traffico verso e dalla telecamera di rete viene cifrato.
3. Immettere una password e reimmetterla per confermarla. Fare clic su **OK**. La password è stata ora configurata.

Per creare una connessione HTTPS, iniziare facendo clic su questo pulsante.

Per configurare la password direttamente tramite una connessione non crittografata, immettere qui la password.

Once the certificate is created, this dialog will be used to configure the root password via HTTPS.

The password for the pre-configured administrator root must be changed before the product can be used.

If the password for root is lost, the product must be reset to the factory default settings, by pressing the button located in the product's casing. Please see the user documentation for more information.

The password for the pre-configured administrator root must be changed before the product can be used.

If the password for root is lost, the product must be reset to the factory default settings, by pressing the button located in the product's casing. Please see the user documentation for more information.

4. Per eseguire l'accesso, inserire il nome utente "root" nella finestra di dialogo appena il programma lo richiede.

**Nota:** Non è possibile eliminare il nome utente predefinito dell'amministratore (**root**).

5. Immettere la password impostata in precedenza e fare clic su OK.

**Nota:** Se si dimentica la password, sarà necessario ripristinare le impostazioni predefinite della telecamera. Vedere a pagina 71.

## Accesso al flusso video

Viene visualizzata la pagina Live View (Immagini dal vivo) con i collegamenti agli strumenti di configurazione che consentono di personalizzare la telecamera.

Se necessario, fare clic su **Yes (Sì)** per installare AMC (Axis Media Control) che consente di visualizzare il flusso video in Microsoft Internet Explorer. A questo scopo è necessario disporre dei privilegi di amministratore.

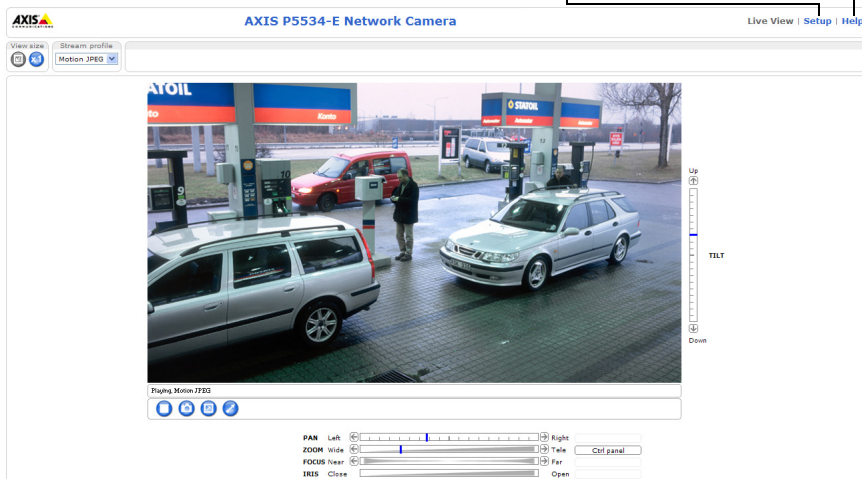
Se necessario, fare clic sul collegamento per installare i decodificatori mancanti.

### Nota:

Per installare AMC in Windows Vista, è necessario eseguire Internet Explorer come amministratore. Fare clic con il pulsante destro del mouse sull'icona di Internet Explorer e selezionare **Run as administrator (Esegui come amministratore)**.

**Setup (Configurazione):** fornisce tutti gli strumenti necessari per configurare la telecamera.

**Help (Guida):** visualizza la Guida in linea relativa alla modalità di utilizzo della telecamera.



## Altri metodi di assegnazione dell'indirizzo IP

La seguente tabella descrive gli altri metodi disponibili per assegnare o individuare l'indirizzo IP. Per impostazione predefinita, tutti i metodi sono disponibili e possono essere disabilitati.

	Utilizzo nel sistema operativo	Note
UPnP™	Windows	Se abilitata sul computer, la telecamera viene rilevata automaticamente e aggiunta a "Risorse di rete".
Bonjour	MAC OSX (versione 10.4 o successive)	Si applica ai browser con supporto Bonjour. Selezionare il segnalibro Bonjour nel browser (ad esempio Safari) e fare clic sul collegamento per accedere alle pagine web della telecamera.
AXIS Dynamic DNS Service	Tutte	Servizio gratuito fornito da Axis che consente di installare la telecamera in modo facile e veloce. È necessaria una connessione a Internet senza proxy http. Per ulteriori informazioni, visitare il sito web all'indirizzo <a href="http://www.axiscam.net">www.axiscam.net</a> .
ARP/Ping	Tutte	Vedere le sezioni che seguono. È necessario eseguire il comando entro 2 minuti dal collegamento dell'alimentazione alla telecamera.
Server DHCP	Tutte	Per visualizzare le pagine di amministrazione del server DHCP di rete, vedere la documentazione specifica del server.

### AXIS Video Hosting System (AVHS)

La telecamera può essere anche collegata ad un server AVHS per l'hosting video. Se ci si è abbonati a un servizio AVHS, seguire le istruzioni della guida all'installazione fornita dal provider. Per ulteriori informazioni su come trovare un provider di servizi AVHS locale, accedere a [www.axis.com/hosting](http://www.axis.com/hosting)

La chiave di autenticazione per il proprietario della telecamera si trova sulla copertina posteriore di questo documento. La chiave è associata al numero di serie univoco della telecamera mostrato nella parte superiore dell'etichetta.

#### Nota:

Conservare la chiave come riferimento per il futuro.

## Assegnazione dell'indirizzo IP con ARP/Ping

1. Acquisire un indirizzo IP sullo stesso segmento di rete cui è connesso il computer in uso.
2. Individuare il numero di serie indicato sull'etichetta della telecamera.
3. Aprire una finestra MS-DOS sul computer e digitare i seguenti comandi:

Sintassi di Windows:	Esempio di Windows:
arp -s <Indirizzo IP> <Numero di serie> ping -l 408 -t <Indirizzo IP>	arp -s 192.168.0.125 00-40-8c-18-10-00 ping -l 408 -t 192.168.0.125
Sintassi di UNIX/Linux/Mac:	Esempio di UNIX/Linux/Mac:
arp -s <Indirizzo IP> <Numero di serie> temp ping -s 408 <Indirizzo IP>	arp -s 192.168.0.125 00:40:8c:18:10:00 temp ping -s 408 192.168.0.125

4. Verificare che il cavo di rete sia collegato alla telecamera, quindi avviare/riavviare la telecamera, scollegando e ricollegando l'alimentazione.
5. Chiudere la finestra MS-DOS appena viene visualizzato il messaggio "Reply from 192.168.0.125: ..." (Risposta da 192.168.0.125) o altro messaggio simile.
6. Nel browser immettere `http://<indirizzo IP>` nel campo dell'indirizzo e premere Invio sulla tastiera.

### Note:

- Per aprire una finestra MS-DOS in Windows: dal menu Start selezionare **Run** (Esegui) e digitare `cmd`. Fare clic su **OK**.
- Per usare il comando ARP in Windows Vista, fare clic con il pulsante destro del mouse sull'icona della finestra MS-DOS e selezionare **Esegui come amministratore**.
- Per utilizzare il comando ARP in un sistema operativo Mac OS X, usare l'utility Terminal, in **Applicazioni > Utilità**.

## Indicatori di stato

Unità	Colore	Indicazione
AXIS P5532-E AXIS P5534-E	Spento	Connessione stabile/funzionamento normale
	Giallo	Stabile durante l'inizializzazione del sistema o il ripristino delle impostazioni predefinite in fabbrica. Lampeggia durante l'aggiornamento del firmware.
	Ambra/rosso	Connessione di rete non disponibile
	Rosso	Errore durante l'aggiornamento del firmware
	Verde	Fisso per 10 secondi dopo un riavvio senza errori

### Nota:

Per ulteriori informazioni sugli indicatori di stato dell'unità AXIS P5532-E/AXIS P5534-E, leggere la Guida per l'utente, disponibile sul CD del prodotto video di rete AXIS fornito insieme al prodotto, oppure sul sito web di Axis all'indirizzo [www.axis.com](http://www.axis.com).

Unità		Colore	Indicazione
AXIS T8123	Indicatore	Spento	Nessuna telecamera connessa
		Lampeggiante	Sovraccarico di alimentazione o altro errore nella tensione di ingresso
		Verde	Telecamera connessa, condizione normale
	Ingresso CA	Verde fisso	Connessione all'alimentazione CA attiva

## Ripristino delle impostazioni predefinite

Per reimpostare la telecamera alle impostazioni originali predefinite in fabbrica, utilizzare il pulsante di comando ed il pulsante di riavvio sul lato della telecamera, vedere *Panoramica dell'hardware*, a pagina 58, come descritto di seguito:

Utilizzando il pulsante di comando ed il pulsante di riavvio, verranno ripristinati tutti i parametri, incluso l'indirizzo IP, alle impostazioni predefinite in fabbrica:

1. Rimuovere il parasole, vedere la figura a pagina 58.
2. Rimuovere la copertura superiore, vedere *Rimuovere l'imballo protettivo*, a pagina 59.
3. Tenere premuti contemporaneamente i pulsanti di comando e di riavvio.
4. Rilasciare il pulsante di riavvio, continuando a tener premuto il pulsante di comando.
5. Continuare a tenere premuto il pulsante di comando fino a quando l'indicatore di stato non lampeggia di colore giallo a intervalli regolari (l'operazione può richiedere fino a 15 secondi).
6. Rilasciare il pulsante di comando.
7. Quando l'indicatore di stato diventa verde (l'operazione può richiedere fino a 1 minuto) la procedura è completata e la telecamera è stata ripristinata. L'unità ha ora l'indirizzo IP predefinito 192.168.0.90
8. Rimontare il coperchio superiore della telecamera nella posizione originale.
9. Rimontare il parasole della telecamera nella posizione originale.
10. Riassegnare l'indirizzo IP utilizzando uno dei metodi descritti in *Assegnazione di un indirizzo IP*, a pagina 63.

È possibile inoltre reimpostare i parametri alle impostazioni predefinite in fabbrica mediante l'interfaccia web. Per ulteriori informazioni, leggere la guida in linea o la Guida per l'utente, disponibile sul CD del prodotto con tecnologia video di rete AXIS fornito insieme al prodotto.

## Accesso alla telecamera da Internet

Dopo l'installazione, la telecamera di rete è accessibile dalla rete locale (LAN). Per accedere alla telecamera da Internet, è necessario configurare i router di rete per consentire il traffico in entrata, che di norma avviene su una porta specifica.

- Porta HTTP (porta predefinita 80) per la visualizzazione e la configurazione
- Porta RTSP (porta predefinita 554) per la visualizzazione di flussi video in formato H.264

Per ulteriori istruzioni, consultare la documentazione del router. Per ulteriori informazioni su questo e altri argomenti, visitare il sito web per il supporto Axis all'indirizzo [www.axis.com/techsup](http://www.axis.com/techsup)

## Ulteriori informazioni

La Guida per l'utente è disponibile sul sito web di Axis all'indirizzo [www.axis.com](http://www.axis.com) oppure sul CD del prodotto con tecnologia video di rete Axis, fornito con il prodotto.

### Suggerimento

Visitare il sito di Axis all'indirizzo [www.axis.com/techsup](http://www.axis.com/techsup) per verificare se sono stati pubblicati aggiornamenti per la telecamera di rete. Per conoscere la versione installata del firmware, vedere **Setup > About** (Configurazione > Informazioni su).





# Medidas preventivas

Lea atentamente la Guía de instalación antes de instalar el producto. Guarde la Guía de instalación para futuras consultas.

## ¡PRECAUCIÓN!

- A la hora de transportar el producto Axis, utilice el embalaje original o uno equivalente para no dañar el producto.
- Evite exponer el producto Axis a vibraciones, golpes o presiones excesivas y no lo instale en soportes inestables, o en superficies o paredes inestables o con vibraciones, ya que esto podría dañar el producto.
- Utilice solo herramientas manuales a la hora de instalar el producto Axis, ya que el empleo de herramientas eléctricas o de una fuerza excesiva podría dañar el producto.
- No utilice productos químicos, agentes cáusticos ni limpiadores en aerosol. Utilice un paño húmedo para la limpieza.
- Utilice únicamente accesorios y piezas de recambio suministrados o recomendados por Axis.
- No intente reparar el producto por sí mismo, póngase en contacto con Axis o con el distribuidor de Axis para los temas de servicio técnico.

## ¡IMPORTANTE!

- Este producto Axis debe utilizarse de conformidad con la legislación y normativas locales.

## Sustitución de la batería

Este producto Axis utiliza una batería de litio CR2032 de 3,0 V como fuente de alimentación para su reloj de tiempo real interno (RTC). En condiciones normales esta batería durará un mínimo de 5 años. Cuando la batería tiene poca carga el funcionamiento del RTC se puede ver afectado, ya que esto puede hacer que se reinicie cada vez que se encienda la cámara. Aparecerá un mensaje de registro cuando sea necesario sustituir la batería. No debe sustituirse la batería a menos que sea necesario.

Si necesita sustituir la batería, visite la página [www.axis.com/techsup](http://www.axis.com/techsup) para recibir asistencia.

- Peligro de explosión si la batería se sustituye de forma incorrecta.
- Utilice solo baterías de recambio iguales o equivalentes, de acuerdo con las recomendaciones del fabricante.
- Deseche las baterías usadas según las instrucciones del fabricante.

## Limpieza de la cubierta del domo

- Tenga cuidado de no arañar ni dañar la cubierta del domo. No limpie una cubierta del domo que parezca limpia y no pule nunca la superficie. El exceso de limpieza puede dañar la superficie.
- Para la limpieza general de la cubierta del domo se recomienda utilizar un jabón neutro no abrasivo y sin disolvente o un detergente con agua y un paño limpio. Aclare bien con agua limpia tibia. Seque con un paño suave para evitar las manchas del agua.
- No utilice detergentes abrasivos, gasolina, benceno o acetona etc. y evite limpiarlo con luz directa del sol o a temperaturas elevadas.

# AXIS P5532-E/AXIS P5534-E

## Guía de instalación

En esta guía de instalación se proporcionan instrucciones para instalar una cámara de red domo PTZ AXIS P5532-E/AXIS P5534-E en su red. Para obtener información sobre cualquier cuestión relacionada con el uso del producto, consulte el Manual del usuario, disponible en el CD que se incluye en este paquete, o la página web [www.axis.com](http://www.axis.com)

### Pasos para la instalación

1. Verifique el contenido del paquete con la lista que aparece más abajo.
2. Presentación del hardware. Consulte la página 76.
3. Instale el hardware. Consulte la página 77.
4. Asignación de una dirección IP. Consulte la página 81.
5. Configuración de la contraseña. Consulte la página 84.

**Importante:**  
este producto debe utilizarse de acuerdo con la legislación y normativas locales.

### 1 Contenido del paquete

Artículo	Modelos/variantes/notas
Cámara de red	AXIS P5532-E/AXIS P5534-E 60 Hz/50 Hz
Cubiertas de domo	Cubierta transparente clara (preinstalada) Cubierta transparente ahumada
Midspan High PoE	AXIS T8123 incluido el cable de alimentación (específico del país)
Conector RJ45	Conector de red con clasificación de protección IP66
Parasol	Cubierta de plástico protectora (incluye tornillos)
CD	CD de los productos de vídeo en red de AXIS, incluida la documentación del producto, herramientas de instalación y otro software
Material impreso	AXIS P5532-E Guía de instalación (este documento) Documento de garantía de Axis Etiquetas adicionales con el número de serie (2)

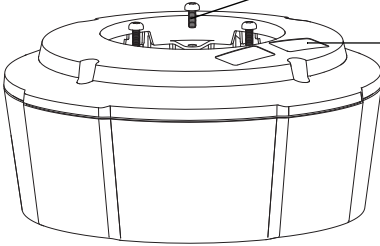
Accesorios opcionales	Accesorios de montaje de AXIS T91A Visite <a href="http://www.axis.com">www.axis.com</a> para obtener información sobre los accesorios disponibles
-----------------------	---

## 2 Presentación del hardware

Parasol

Tornillos (3)

Referencia (P/N) y número de serie (S/N).  
Es posible que necesite el número de serie durante la instalación.



Ranura para tarjeta SDHC

Botón de reinicio

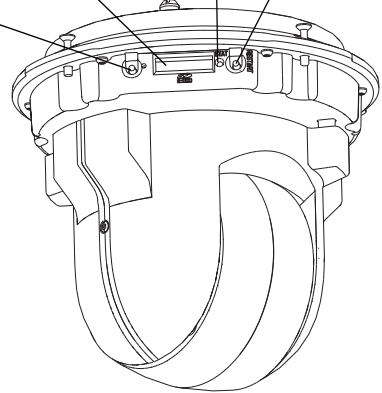
Botón de control

LED indicador de estado

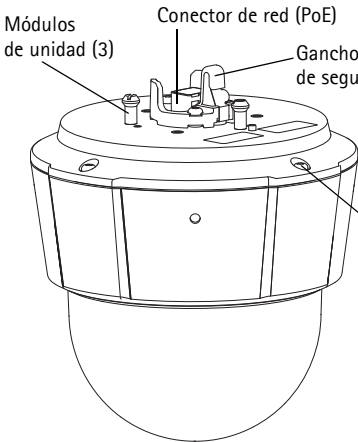
Módulos de unidad (3)

Conector de red (PoE)

Gancho para el cable de seguridad



Tornillos de la cubierta superior (4)



Tornillos (6)

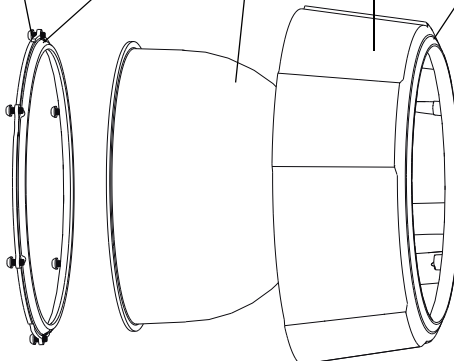
Cubierta del domo

Anillo de sellado

Cubierta del domo

Anillo del domo

Cubierta superior



## 3 Instalación del hardware

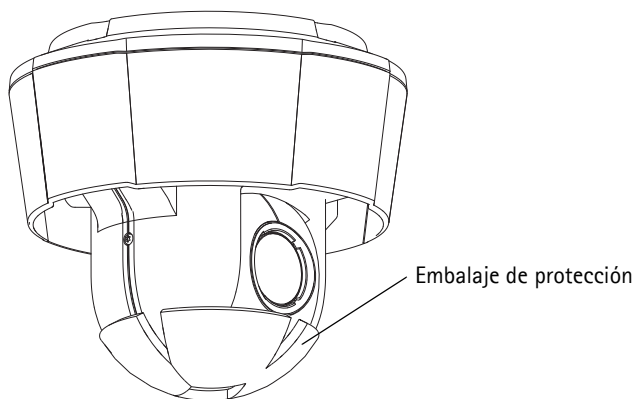
### Preparación para la instalación

Lea las instrucciones al completo antes de prepararse para instalar la cámara de red, puesto que varios de los pasos de preparación para la instalación requieren que se retire la cubierta superior y es recomendable llevarlos a cabo todos juntos. Es necesario retirar el parasol para instalar/extraer una tarjeta SD, consulte *Instalación de una tarjeta SD (opcional)*, en la página 78.

- Siga las instrucciones de la sección *Retirada del embalaje de protección* a continuación para retirar el embalaje de protección antes de instalar la cámara.
- La cámara de red se suministra con una cubierta transparente clara y otra ahumada. En caso necesario, siga las instrucciones de la sección *Sustitución de la cubierta clara/ahumada del domo (opcional)* a continuación para sustituir la cubierta del domo.
- Es necesaria una tarjeta SD estándar o de gran capacidad (no incluida) para guardar las imágenes localmente en la cámara de red. Siga las instrucciones de la sección *Instalación de una tarjeta SD (opcional)* a continuación para retirar la cubierta del domo e instalar una tarjeta SD.

### Retirada del embalaje de protección

1. Afloje los 4 tornillos de la cubierta superior y retirela, consulte la ilustración en la página 76.
2. Retire el embalaje de protección.



3. Si va a sustituir la cubierta clara/ahumada del domo o va a instalar una tarjeta SD, consulte las instrucciones de las secciones *Sustitución de la cubierta clara/ahumada del domo (opcional)* y *Instalación de una tarjeta SD (opcional)*, en la página 78.
4. Vuelva a colocar la cubierta superior en su posición original y apriete los tornillos.

## Sustitución de la cubierta clara/ahumada del domo (opcional)

### ¡IMPORTANTE!

Esta cámara posee una membrana de deshumidificación para mantener niveles de humedad bajos dentro del domo. Para evitar la condensación, no desmonte la cámara bajo la lluvia o en lugares húmedos.

1. Afloje los 4 tornillos de la cubierta superior y retírela, consulte la ilustración en la página 76.
2. Quite los 6 tornillos del anillo del domo y retírelo de la cubierta superior.
3. Fije el anillo y la cubierta del domo de repuesto a la cubierta superior y asegúrelos apretando los 6 tornillos.
4. Si va a instalar una tarjeta SD, consulte las instrucciones de la sección *Instalación de una tarjeta SD (opcional)* a continuación.
5. Vuelva a colocar la cubierta superior en su posición original y apriete los tornillos.

### Nota:

Tenga cuidado de no arañar ni dañar la cubierta del domo. Si es posible, mantenga el plástico protector sobre la cubierta del domo hasta finalizar la instalación.

## Instalación de una tarjeta SD (opcional)

1. Extraiga el parasol, consulte la ilustración en la página 76.
1. Afloje los 4 tornillos de la cubierta superior y retírela, consulte la ilustración en la página 76.
2. Inserte una tarjeta SD (no incluida) en la ranura para tarjeta SDHC (Secure Digital High Capacity).
3. Vuelva a colocar la cubierta superior en su posición original y apriete los tornillos.
4. Vuelva a colocar el parasol en su posición original y apriete los tornillos.

### Nota:

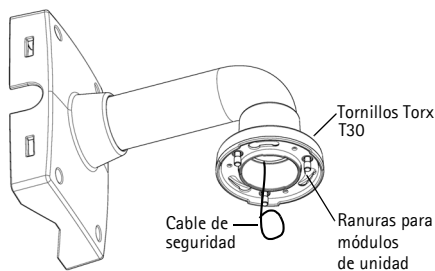
La tarjeta SD se instala automáticamente al insertarla en la ranura para tarjeta SDHC. No obstante, antes de retirar la tarjeta SD se debería desinstalar mediante las páginas web de la cámara. Vaya a **Setup (Configuración) > System Options (Opciones de sistema) > Storage (Almacenamiento) > SD Card (tarjeta SD)** y haga clic en **Unmount (Desinstalar)**. Para obtener más información, consulte el Manual del usuario disponible en el CD de productos de vídeo en red de AXIS suministrado con este producto o en el sitio web [www.axis.com](http://www.axis.com).

## Instale la cámara de red

### ¡IMPORTANTE!

Se debe usar el conector RJ45 o un conector compatible RJ45 con clasificación IP66 para la compatibilidad con el diseño con clasificación IP66 de la cámara.

1. Instale el soporte seleccionado (no incluido) según las instrucciones que se suministran con él. Si es necesario taladrar, asegúrese de utilizar las brocas, los tornillos y los tacos adecuados para el material. Visite [www.axis.com](http://www.axis.com) para obtener información sobre los accesorios de montaje disponibles.
2. Extienda el cable de red y enchúfelo al conector RJ45 suministrado. Consulte las instrucciones incluidas con el conector para obtener más información sobre el cableado y el montaje.
3. Enganche la cámara al cable de seguridad del soporte.
4. Conecte el cable de red y el conector RJ45 al conector de red en la cámara.
5. Instale el dispositivo AXIS T8123, consulte la sección *Instale el Midspan High PoE AXIS T8123 con 1 puerto incluido*, en la página 80.
6. Compruebe que los indicadores LED del midspan indiquen las condiciones correctas, consulte la tabla de la página 81 para obtener más información.
7. Deslice los módulos de unidad de la cámara por las ranuras del soporte y gire la unidad de cámara.
8. Fije la cámara de red al soporte de montaje apretando los 3 tornillos (Torx T30).



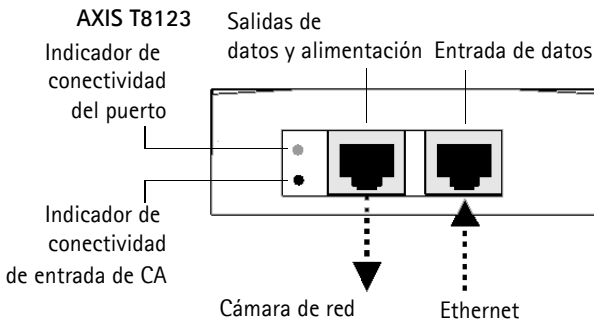
## Instale el Midspan High PoE AXIS T8123 con 1 puerto incluido

El Midspan High PoE AXIS T8123 permite que los productos de vídeo en red de Axis con un consumo eléctrico elevado reciban datos y alimentación por el mismo cable Ethernet. Siga estas instrucciones para conectar la AXIS T8123.

### Nota:

Axis sólo puede garantizar completa funcionalidad con la AXIS T8123; no se admiten otros dispositivos High PoE.

1. Conecte la cámara AXIS T8123 (entrada de datos) al switch de red mediante un cable de red estándar.
2. Conecte el dispositivo AXIS T8123 (salidas de datos y alimentación) a la cámara de red mediante el cable de red que se ha conectado a la cámara.
3. Conecte la AXIS T8123 a una toma de corriente CA (100-240 VCA) mediante el cable de alimentación proporcionado.



Para obtener información sobre los LED del midspan, consulte la sección *Asignación de una dirección IP*, en la página 81.





## 4 Asignación de una dirección IP

Actualmente, la mayoría de redes disponen de un servidor DHCP que asigna direcciones IP a los dispositivos conectados de forma automática. Si su red no dispone de un servidor DHCP, la cámara de red utilizará 192.168.0.90 como dirección IP predeterminada.

Si desea asignar una dirección IP estática, el método recomendado en Windows es **AXIS IP Utility** o **AXIS Camera Management**. En función del número de cámaras que desee instalar, deberá utilizar el método que se adapte mejor a sus necesidades.

Ambas aplicaciones son gratuitas y están disponibles en el CD de productos de vídeo en red de Axis suministrado con este producto, o pueden descargarse de [www.axis.com](http://www.axis.com).

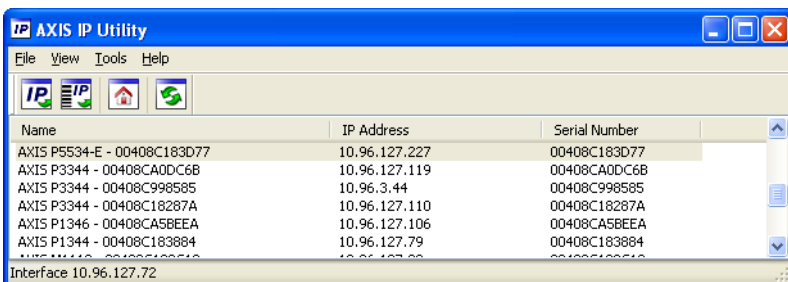
Método	Recomendado para	Sistema operativo
 AXIS IP Utility Consulte la página 82	Cámaras individuales Instalaciones pequeñas	Windows
 AXIS Camera Management Consulte la página 83	Varias cámaras Instalaciones grandes Instalación en una subred diferente	Windows 2000 Windows XP Pro Windows 2003 Server Windows Vista Windows 7

### Notas:

- Si no puede asignar la dirección IP, compruebe que no haya ningún cortafuegos que bloquee la operación.
- Para ver otros métodos de asignar o detectar la dirección IP, p. ej., en otros sistemas operativos, consulte la página 86.

## AXIS IP Utility: Para cámaras individuales o instalaciones pequeñas

AXIS IP Utility detecta y muestra automáticamente los dispositivos Axis que existen en la red. Además, puede utilizarse para asignar manualmente una dirección IP estática.




Recuerde que el equipo que ejecute AXIS IP Utility debe instalarse en el mismo segmento de red (subred física) que la cámara de red.

### Detección automática

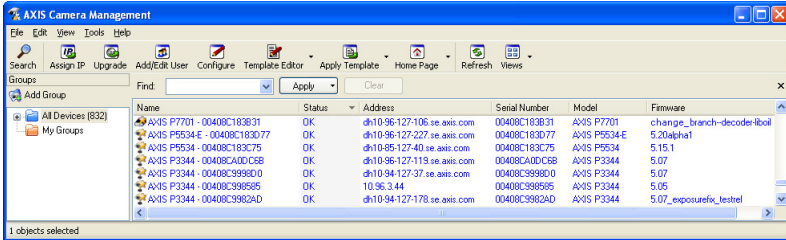
1. Compruebe que la cámara esté conectada a la red y que recibe alimentación.
2. Inicie AXIS IP Utility.
3. Cuando la cámara aparezca en la ventana, haga doble clic en ella para abrir su página de inicio.
4. Consulte la página 84 para obtener instrucciones sobre cómo asignar la contraseña.

### Asignación manual de la dirección IP (opcional)

1. Obtenga una dirección IP que no esté en uso y que se encuentre en el mismo segmento de red que su equipo.
2. Seleccione la cámara de red en la lista.
3. Haga clic en el botón **Assign new IP address to the selected device (Asignar nueva dirección IP al dispositivo seleccionado)**  e introduzca la dirección IP.
4. Haga clic en **Assign (Asignar)** y siga las instrucciones que aparecen en la pantalla. Recuerde que la cámara debe reiniciarse en los dos minutos siguientes a la configuración de la dirección IP.
5. Haga clic en el botón **Home Page** (Página de inicio) para acceder a las páginas web de la cámara.
6. Consulte la página 84 para obtener instrucciones sobre cómo configurar la contraseña.

## AXIS Camera Management: para varias cámaras o instalaciones grandes


AXIS Camera Management puede detectar automáticamente varios dispositivos Axis, mostrar el estado de la conexión, gestionar las actualizaciones del firmware y configurar direcciones IP.

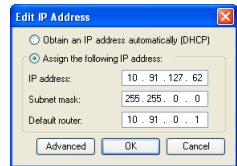


### Detección automática

1. Compruebe que la cámara esté conectada a la red y que recibe alimentación.
2. Inicie AXIS Camera Management. Cuando la cámara de red aparezca en la ventana, haga clic con el botón derecho en el enlace y seleccione Live View Home Page (Página de inicio de vista en vivo).
3. Consulte la página 84 para obtener instrucciones sobre cómo configurar la contraseña.


### Asignación de una dirección IP en un dispositivo individual

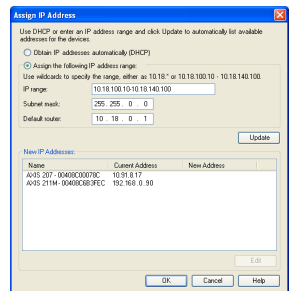
1. Seleccione cámara de red en AXIS Camera Management y haga clic en el botón Assign IP (Asignar IP) .
2. Seleccione Assign the following IP address (Asignar la siguiente dirección IP) e introduzca la dirección IP, la máscara de subred y el router predeterminado que utilizará el dispositivo.
3. Haga clic en OK (Aceptar).



### Asignación de direcciones IP en varios dispositivos

AXIS Camera Management acelera el proceso de asignación de direcciones IP en varios dispositivos indicando direcciones IP disponibles dentro de un intervalo especificado.

1. Seleccione los dispositivos que desee configurar (se pueden seleccionar varios modelos) y haga clic en el botón Assign IP (Asignar IP) .
2. Seleccione Assign the following IP address range (Asignar el siguiente intervalo de direcciones IP) e introduzca las direcciones IP, la máscara de subred y el router predeterminado que utilizará el dispositivo.
3. Haga clic en Update (Actualizar). Las direcciones IP sugeridas se muestran en New IP Addresses (Nuevas direcciones IP) y se pueden editar si se selecciona un dispositivo y se hace clic en el botón Edit (Editar).
4. Haga clic en OK (Aceptar).



## 5 Configuración de la contraseña

Para poder acceder al producto, hay que asignar una contraseña para el administrador root (es el usuario predeterminado). Aparecerá el cuadro de diálogo 'Configure Root Password' (Configurar contraseña de root) cuando se acceda a la red por primera vez.

Para evitar la interceptación de la contraseña de root cuando se configura, este proceso se puede realizar a través de una conexión HTTPS cifrada, que precisa un certificado HTTPS.

**Nota:** HTTPS (Hypertext Transfer Protocol over Secure Socket Layer) es un protocolo usado para cifrar el tráfico entre navegadores y servidores en red. El certificado HTTPS controla el intercambio cifrado de información.

Para configurar la contraseña a través de una conexión HTTP estándar, escribala directamente en el primer cuadro de diálogo que se muestra a continuación.

Para configurar la contraseña a través de una conexión HTTPS cifrada, siga estos pasos:

1. Haga clic en el botón **Create self-signed certificate** (Crear un certificado de autofirma).
2. Proporcione la información que se le solicita y haga clic en **OK** (Aceptar). Se creará el certificado y se podrá configurar la contraseña con seguridad. Todo el tráfico hacia y desde la cámara de red se cifrará a partir de este punto.
3. A continuación, escriba una contraseña y vuelva a escribirla para confirmarla. Haga clic en **OK** (Aceptar). La contraseña ya se ha configurado.

Para crear una conexión HTTPS, empiece haciendo clic en este botón.

Para configurar directamente la contraseña a través de una conexión sin cifrar, escriba aquí la contraseña.

4. Para iniciar sesión, escriba el nombre de usuario 'root' en el cuadro de diálogo.
 

**Nota:** El nombre de usuario predeterminado para el administrador root no se puede borrar.
5. Escriba la contraseña que introdujo anteriormente y haga clic en Aceptar.
 

**Nota:** Si ha perdido u olvidado la contraseña, la cámara debe restablecerse a los valores iniciales. Consulte la página 89.

## Acceso a la transmisión de vídeo

La página Live View (vista en vivo) de la cámara de red aparece con enlaces a las herramientas de configuración que le permiten personalizar la cámara.

En caso necesario, haga clic en **Yes (Sí)** para instalar el AMC (AXIS Media Control), y así permitir la visualización de la transmisión de vídeo en Internet Explorer. Para ello, debe tener derechos de administrador en su equipo.

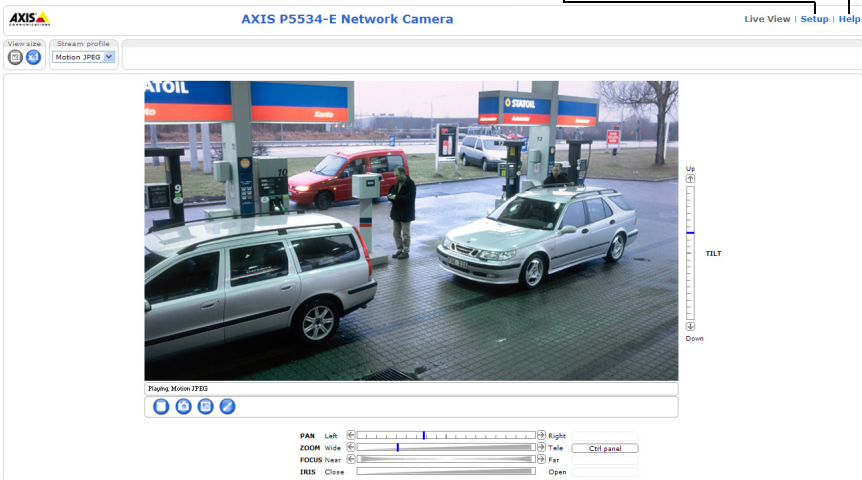
Si es necesario, haga clic en el enlace para instalar los decodificadores que faltan.

### Nota:

Para instalar AMC en Windows Vista, debe ejecutar Internet Explorer como administrador. Haga clic con el botón derecho en el icono de Internet Explorer y seleccione **Ejecutar como administrador**.

**Setup (Configuración):** proporciona todas las herramientas necesarias para configurar la cámara según sus necesidades.

**Help (Ayuda):** presenta ayuda en línea sobre todos los aspectos del uso de la cámara.



## Otros métodos para configurar la dirección IP

Esta tabla presenta otros métodos disponibles para configurar o detectar la dirección IP. Todos los métodos están habilitados de forma predeterminada y es posible deshabilitarlos.

	Uso en sistema operativo	Notas
UPnP™	Windows	La cámara se detecta y añade a "Mis sitios de red" automáticamente, siempre que esta opción esté habilitada en el equipo.
Bonjour	MAC OSX (10.4 o posterior)	Aplicable a navegadores compatibles con Bonjour. Navegue hasta el favorito Bonjour™ del explorador (p. ej., Safari) y haga clic en el vínculo para acceder a las páginas web de la cámara.
Servicio de DNS dinámico de AXIS	Todos	Servicio gratuito suministrado por Axis que permite instalar la cámara de forma rápida y sencilla. Es necesario disponer de conexión a Internet sin proxy HTTP. Para más información, consulte <a href="http://www.axiscam.net">www.axiscam.net</a> .
ARP/Ping	Todos	Véase más adelante. El comando debe emitirse en los dos minutos posteriores al encendido de la cámara.
Servidor DHCP	Todos	Para acceder a las páginas de administración del servidor DHCP en red, consulte la documentación propia del servidor.

### AXIS Video Hosting System (AVHS)

La cámara también se puede conectar a un servicio AVHS de vídeo alojado. Si se ha suscrito a un servicio AVHS, siga las instrucciones incluidas en la Guía de instalación del proveedor de servicios. Para más información y asistencia para encontrar un proveedor de servicios AVHS local, visite [www.axis.com/hosting](http://www.axis.com/hosting)

La **Camera owner authentication key** (Clave de autenticación del propietario de la cámara) se encuentra en la contraportada de este documento. La clave está asociada con el número de serie (S/N) único de la cámara, que se muestra en la parte superior de la etiqueta.

#### Nota:

Conserve la clave para referencia en el futuro.

## Configuración de la dirección IP con ARP/Ping

1. Adquiera una dirección IP en el mismo segmento de red en el que está conectado su equipo.
2. Localice el número de serie (S/N) en la etiqueta de producto de la cámara.
3. Abra una línea de comando en su equipo y escriba los comandos siguientes:

Sintaxis en Windows:	Ejemplo en Windows:
arp -s <Dirección IP> <Número de serie> ping -l 408 -t <Dirección IP>	arp -s 192.168.0.125 00-40-8c-18-10-00 ping -l 408 -t 192.168.0.125
Sintaxis en UNIX/Linux/Mac:	Ejemplo en UNIX/Linux/Mac:
arp -s <Dirección IP> <Número de serie> temp ping -s 408 <Dirección IP>	arp -s 192.168.0.125 00:40:8c:18:10:00 temp ping -s 408 192.168.0.125

4. Compruebe que el cable de red está conectado a la cámara y desconecte y vuelva a conectar la corriente para iniciarla o reiniciarla.
5. Cierre la línea de comando cuando vea "Respuesta de 192.168.0.125:" ..." o similar.
6. En el explorador, escriba http://<dirección IP> en el campo Ubicación/Dirección y pulse Intro en el teclado.

### Notas:

- Para abrir una línea de comando en Windows: desde el menú Start (Inicio), seleccione Run... (Ejecutar...) y escriba cmd. Haga clic en OK (Aceptar).
- Para utilizar el comando ARP en Windows Vista, haga clic con el botón derecho del ratón en el icono de línea de comando y seleccione Ejecutar como administrador.
- Para utilizar el comando ARP en un sistema operativo Mac OS X, utilice la herramienta Terminal, que se encuentra en Application (Aplicaciones) > Utilities (Utilidades).

## Indicadores de estado de la cámara

Unidad	Color	Indicación
AXIS P5532-E AXIS P5534-E	Apagado	Fijo: funcionamiento o conexión normales
	Ámbar	Fijo durante el inicio del sistema y el restablecimiento de los valores iniciales. Parpadea durante la actualización del firmware.
	Ámbar/rojo	Sin conexión de red
	Rojo	Fallo de actualización de firmware
	Verde	Fijo durante 10 segundos después de un reinicio correcto

### Nota:

Para obtener más información sobre los indicadores de estado de la cámara AXIS P5532-E/AXIS P5534-E, consulte el Manual del usuario disponible en el CD de productos de vídeo en red de AXIS suministrado con este producto o en el sitio web [www.axis.com](http://www.axis.com).

Unidad		Color	Indicación
AXIS T8123	Puerto	Apagado	No se ha conectado ninguna cámara
		Intermitente	Sobrecarga eléctrica u otro error de tensión de entrada
		Verde	Cámara conectada, comportamiento normal
	Entrada de CA	Verde fijo	Conectado a la alimentación de CA



## Restablecimiento de los valores iniciales

Para restablecer la cámara a los valores iniciales, utilice el botón de control y el botón de reinicio que se encuentran en el lateral de la cámara, consulte la sección *Presentación del hardware*, en la página 76, como se describe a continuación:

Mediante los botones de control y reinicio se restablecerán los valores iniciales de todos los parámetros, incluida la dirección IP:

1. Extraiga el parasol, consulte la ilustración en la página 76.
2. Retire la cubierta superior, consulte la sección *Retirada del embalaje de protección*, en la página 77.
3. Mantenga pulsados al mismo tiempo los botones de control y reinicio.
4. Suelte el botón de reinicio pero siga manteniendo pulsado el de control.
5. Mantenga el botón de control pulsado hasta que el indicador de estado parpadee en ámbar a intervalos regulares (puede tardar hasta 15 segundos).
6. Suelte el botón de control.
7. Cuando el indicador de estado cambie a verde (puede tardar hasta 1 minuto), habrá finalizado el proceso y se habrán restablecido los valores iniciales de la cámara. La unidad tiene ahora la dirección IP predeterminada 192.168.0.90.
8. Vuelva a colocar la cubierta superior en su posición original.
9. Vuelva a colocar el parasol en su posición original.
10. Vuelva a asignar la dirección IP mediante uno de los métodos descritos en la sección *Asignación de una dirección IP*, en la página 81.

También es posible restablecer los valores predeterminados originales mediante la interfaz web. Para obtener más información, consulte la ayuda en línea o el Manual del usuario disponible en el CD de productos de vídeo en red de AXIS suministrado con este producto.

## Acceso a la cámara desde Internet

Una vez instalada, podrá acceder a la cámara de red desde su red local (LAN). Para acceder a la cámara desde Internet, los routers deben configurarse para permitir tráfico entrante, que normalmente se realiza en un puerto específico.

- Puerto HTTP (puerto 80 predeterminado) para visualización y configuración
- Puerto RTSP (puerto 554 predeterminado) para visualización de secuencias de vídeo H.264

Consulte la documentación de su router para obtener más instrucciones. Si desea más información sobre éste y otros temas, visite la página Web de soporte de Axis en [www.axis.com/techsup](http://www.axis.com/techsup)

## Más información

El Manual del usuario está disponible en el sitio Web de Axis, [www.axis.com](http://www.axis.com), o en el CD de productos de vídeo en red de Axis suministrado con este producto.

**Un consejo:**

Visite [www.axis.com/techsup](http://www.axis.com/techsup) para comprobar si hay disponible firmware actualizado para su cámara de red. Para ver la versión de firmware que tiene instalada actualmente, consulte la sección **Setup (Configuración) > About (Acerca de)**.



## **Camera owner authentication key**

For registering the camera when using an AVHS Service Provider for hosted video.

For more information, go to

[www.axis.com/hosting](http://www.axis.com/hosting)

Label here