

CE

**MOUNTING and
OPERATING MANUAL**

**Brine-to-Water Heat Pump
for Indoor Installation**

SI 5CS

SI 14CS

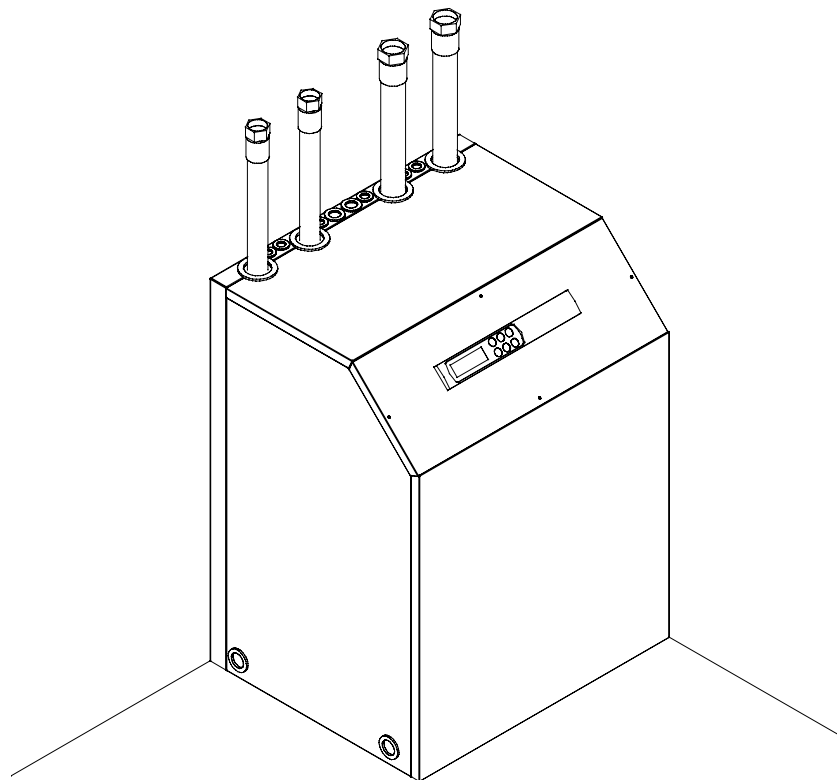
SI 7CS

SI 17CS

SI 9CS

SI 21CS

SI 11CS



CONTENTS

1	READ IMMEDIATELY	3
1.1	Important Information	
1.2	Legal Provisions and Directives	
1.3	Energy-Efficient Use of the Heat Pump	
2	PURPOSE OF THE HEAT PUMP	4
2.1	Application	
2.2	Principle of Operation	
3	BASELINE UNIT	4
4	ACCESSORIES	5
4.1	Brine Manifold	
5	TRANSPORT	5
6	INSTALLATION	6
6.1	General Information	
6.2	Sound Emissions	
7	MOUNTING	6/7
7.1	General	
7.2	Connection on Heating Side	
7.3	Connection on Heat Source Side	
7.4	Electrical Connection	
8	COMMISSIONING	8
8.1	General	
8.2	Preparation	
8.3	Commissioning Procedure	
9	CARE/CLEANING	9
9.1	Care	
9.2	Cleaning of Heating Side	
9.3	Cleaning of Heat Source Side	
10	MALFUNCTIONS/TROUBLE-SHOOTING	10
11	DECOMMISSIONING	10
11.1	Shutdown in Summer	
11.2	End-of-Life Decommissioning	
12	Appendix	11

1 READ IMMEDIATELY

1.1 Important Information

CAUTION! The heat pump is not attached to the wooden pallet.

CAUTION! The heat pump must not be tilted more than max. 45° (in either direction).

CAUTION! Do not lift unit by the holes in the panel assemblies!

CAUTION! Flush the heating system prior to connecting the heat pump.

CAUTION! The supplied strainer is to be fitted in the heat source inlet of the heat pump in order to protect the evaporator against contamination.

CAUTION! The brine must contain at least 25 % of a frost and corrosion protection agent on a monoethylene glycol or propylene glycol basis.

CAUTION! The clockwise phase sequence must be observed when connecting the load line.

CAUTION! Commissioning of the heat pump must be performed in accordance with the mounting and operating manual of the heat pump controller.

CAUTION! Any work on the heat pump may only be performed by authorised and qualified customer service technicians.

CAUTION! All power circuits must be disconnected from the power source prior to opening the cabinet.

1.2 Legal Provisions and Directives

This heat pump conforms to all relevant DIN/VDE regulations and EU directives. For details refer to the EC Declaration of Conformity in the appendix.

The electrical connection of the heat pump must be performed according to and conforming with all relevant VDE, EN and IEC standards. Beyond that, the connection requirements of the local utility companies have to be observed.

The heat pump is to be connected to the heat source and heat distribution systems in accordance with all applicable provisions.

1.3 Energy-Efficient Use of the Heat Pump

By operating this heat pump you contribute to the protection of our environment. A prerequisite for an efficient operation is the proper design and sizing of the heating system and the heat source system. In particular, it is important to keep water flow temperatures as low as possible. All energy consumers connected should therefore be suitable for low flow temperatures. A 1 K higher heating water temperature corresponds to an increase in power consumption of approx. 2.5 %. Underfloor heating systems with flow temperatures between 30 °C and 40 °C are optimally suited for energy-efficient operation.

2 PURPOSE OF THE HEAT PUMP

2.1 Application

The brine-to-water heat pump is designed for use in existing or newly built heating systems. Brine is used as the heat carrier in the heat source system. Ground coils, ground collectors or similar systems can be used as the heat source.

2.2 Principle of Operation

The heat generated by the sun, wind and rain is stored in the ground. This heat stored in the ground is collected at low temperature by the brine circulating in the ground collector, ground coil or similar device. A circulating pump then conveys the warmed brine to the evaporator of the heat pump. There, the heat is given off to the refrigerant in the refrigeration cycle. When so doing, the brine cools so that it can again take up heat energy in the brine circuit.

The refrigerant, however, is drawn in by the electrically driven compressor, is compressed and "pumped" to a higher temperature level. The electrical power needed to run the compressor is not lost in this process, but most of the generated heat is transferred to the refrigerant as well.

Subsequently, the refrigerant is passed through the condenser where it transfers its heat energy to the heating water. Based on the thermostat setting, the heating water is thus heated to up to 55 °C.

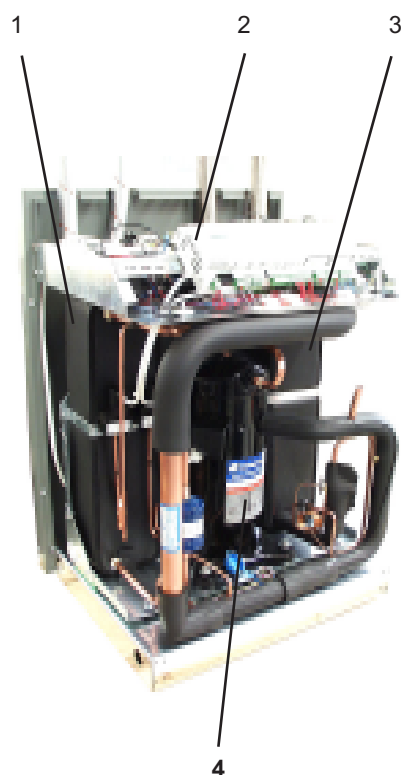
3 BASELINE UNIT

The baseline unit consists of a heat pump, ready for connection, for indoor installation, complete with sheet metal cabinet, control panel and integrated controller. The refrigeration cycle contains the refrigerant R407C. Refrigerant R407C is CFC-free, non-ozone depleting and non-combustible.

All components required for the operation of the heat pump are located on the control panel. The power feed for the load and control current must be field-installed by the customer.

The supply lead of the brine pump (to be provided by the customer) must be connected to the control panel. When so doing, a motor protecting device is to be installed, if required.

The collector loops including brine manifold must be provided by the customer.

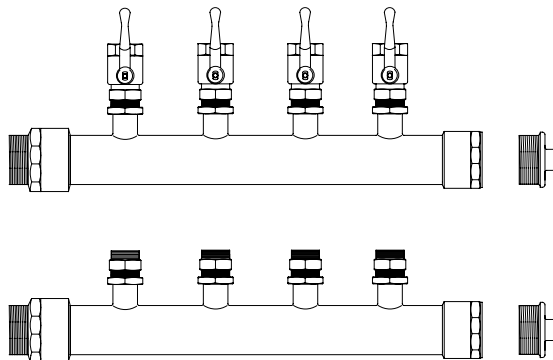


- 1) Condenser
- 2) Control panel
- 3) Evaporator
- 4) Compressor

4 ACCESSORIES

4.1 Brine Manifold

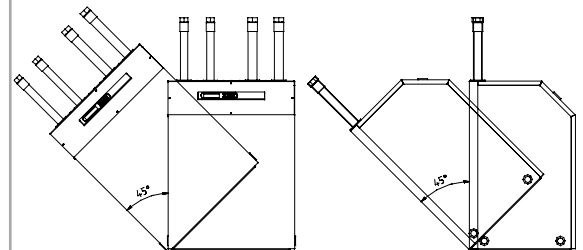
The brine manifold ties the individual collector loops of the heat source system into a single main line which is connected to the heat pump. Integrated ball valves allow individual brine circuits to be shut off for venting purposes.



5 TRANSPORT

A lift truck is suited for transporting the unit on a level surface. If the heat pump needs to be transported on an uneven surface or carried up or down stairs, carrying straps may be used for this type of transport. These straps may be passed directly underneath the wooden pallet.

CAUTION! The heat pump is not secured to the wooden pallet.



CAUTION! The heat pump must not be tilted more than max. 45° (in either direction).

For lifting the unit without pallet, the holes provided in the sides of the frame should be used. The side panel assemblies must be removed for this purpose. A commercially available pipe can be used as a carrying aid.

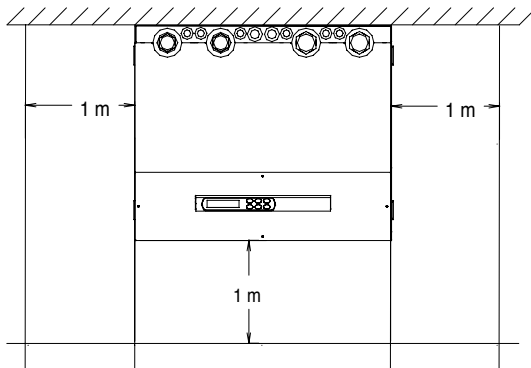
CAUTION! Do not use the holes in the panel assemblies for lifting the unit!

6 INSTALLATION

6.1 General Information

As a rule, the unit must be installed indoors on a level, smooth and horizontal surface. The entire base frame should thereby make close contact with the surface in order to ensure adequate sound insulation. Failing this, additional sound insulation measures may become necessary.

The heat pump should be located to allow safe and easy maintenance/service access. This is ensured if a clearance of approx. 1 m in front of and to each side of the heat pump is maintained.



6.2 Sound Emissions

The heat pump offers silent operation due to efficient sound insulation. To prevent noise transmission to the foundation, a suitable, sound dampening rubber mat should be placed underneath the base frame of the heat pump.

Any sound transmission to the heating systems is prevented by means of flexible pressure tubing already integrated into the heat pump.

7 MOUNTING

7.1 General

The following connections need to be established on the heat pump:

- supply/return flow of the brine system
- supply/return flow of the heating system
- power supply

7.2 Connection on Heating Side

CAUTION!

The heating system must be flushed prior to connecting the heat pump.

Before completing the heat pump connections on the heating water side, the heating installation must be flushed in order to remove any impurities that may be present, as well as residues of sealing material, and the like. Any accumulation of deposits in the condenser may result in a total failure of the heat pump.

Once the installation on the heating side has been completed, the heating system must be filled, de-aerated and pressure-tested.

Heating water minimum flow rate

The heating water minimum flow rate through the heat pump must be assured in all operating states of the heating system. This can be accomplished, for example, by installing a differential pressure-free manifold or an overflow valve. The procedure for setting an overflow valve is described in the Chapter Commissioning.

Frost protection for installations prone to frost

Provided the controllers and circulating pumps are ready for operation, the frost protection feature of the controller is active. If the heat pump is taken out of service or in the event of a power failure, the system has to be drained. In heat pump installations where a power failure cannot be readily detected (holiday house), the heating circuit must contain a suitable antifreeze product.

7.3 Connection on Heat Source Side

The following procedure must be observed when making the connection:

Connect the brine line to the flow and return pipe of the heat pump.

CAUTION!

The supplied strainer must be fitted in the heat source inlet of the heat pump in order to protect the evaporator against the ingress of impurities.

In addition, a powerful vent must be installed at the highest point of the heat source system. The hydraulic plumbing diagram must be observed here.

The brine liquid must be produced prior to charging the system. The brine concentration must be at least 25 %. Freeze protection down to -14°C can thus be ensured.

Only antifreeze products on the basis of monoethylene glycol or propylene glycol may be used.

The heat source system must be vented (de-aerated) and be checked for leaks.

CAUTION!

The brine solution must contain at least 25 % of an antifreeze and corrosion protection agent on a monoethylene glycol or propylene glycol basis.

7.4 Electrical Connection

The following electrical connections must be established on the heat pump:

- Connection of the control wire to the control panel of the heat pump via terminals X1: L/N/PE.
- Connection of the load wire to the control panel of the heat pump via terminals X5: L1/L2/L3/PE.
- Connection of the brine pump (to be provided by the customer) to the control panel of the heat pump via terminal X1: PE and pump contactor K2: 2/4/6 (.. 5-17CS), or motor protection F7: 2/4/6 (.. 21CS).

All electrical components required for the operation of the heat pump are located on the control panel.

For detailed instructions concerning the connection and functioning of the heat pump controller refer to the operating manual supplied with the controller.

An all-pole disconnecting device with a contact gap of at least 3 mm (e.g. utility company disable contactor or power contactor) as well as a 3-pole circuit breaker with simultaneous tripping of all external conductors must be provided. The required cross-sectional area of the conductor is to be selected according to the power consumption of the heat pump, the technical connection requirements of the relevant utility company and all applicable regulations. Power consumption data of the heat pump is provided in the product literature and on the nameplate. The terminals are designed for a max. conductor cross-section of 10 mm².

CAUTION!

The clockwise phase sequence must be observed when connecting the load line (the heat pump will deliver no output and will be very noisy when the phase sequence is incorrect).

8 COMMISSIONING

8.1 General Information

To ensure proper commissioning it should be carried out by an after-sales service authorized by the manufacturer. Only then can an extended warranty period of 3 years in total be granted (cf. Warranty service).

8.2 Preparation

Prior to commissioning, the following items need to be checked:

- All connections of the heat pump must have been made as described in Chapter 7.
- The heat source system and the heating circuit must have been filled and checked.
- The strainer must have been fitted in the sole inlet of the heat pump.
- In the brine and heating circuits all valves that could impair the proper heating water flow must be open.
- The settings of the heat pump controller must be adapted to the heating installation in accordance with the instructions contained in the controller's operating manual.

8.3 Commissioning Procedure

The start-up of the heat pump is effected via the heat pump controller.

CAUTION!

Commissioning of the heat pump must be performed in accordance with the mounting and operating manual of the heat pump controller.

Where an overflow valve is fitted to assure the minimum heating water flow rate, the valve must be set in accordance with the requirements of the heating installation. An incorrect setting may result in various error symptoms and an increased electric power consumption. To correctly set the overflow valve, the following procedure is recommended:

- a) Open all heating circuits and close the overflow valve. Determine the resulting temperature difference between supply and return flow.

- b) Close all of the heating circuits that may also be closed during operation (depending on the type of heat pump usage) so that the most unfavourable operating state - with respect to the water flow rate - is achieved.

- c) In this operating state open the overflow valve until approximately the same temperature difference exists that was measured under a) when the overflow valve was closed and the heating circuits open.

Any malfunctions occurring during operation are displayed on the heat pump controller and can be corrected as described in the operating manual of the heat pump controller.

9 CARE/CLEANING

9.1 Care

The heat pump is maintenance-free. To prevent malfunctions due to sediments in the heat exchangers, care must be taken that no impurities can enter the heat source system and heating installation. In the event that operating malfunctions due to contamination occur nevertheless, the system should be cleaned as described below.

9.2 Cleaning of Heating Side

The ingress of oxygen into the heating water circuit may result in the formation of oxidation products (rust). It is therefore important - in particular with respect to the piping of underfloor heating systems - that the installation is executed in a diffusion-proof manner.

Also residues of lubricating and sealing agents may contaminate the heating water.

In the case of severe contaminations leading to a reduction of the performance of the condenser in the heat pump, the system must be cleaned by a heating technician.

According to current knowledge, we recommend cleaning with a 5% phosphoric acid solution or, in the case that cleaning needs to be performed more frequently, with a 5% formic acid solution.

In either case, the cleaning fluid should be at room temperature. It is recommended that the heat exchanger be cleaned in the direction opposite to the normal flow direction.

To prevent acidic cleaning agents from entering the circuit of the heating installation we recommend that the flushing device be fitted directly to the supply and return lines of the condenser. To prevent any damage caused by cleaning agent residues that may be present in the system it is important that the system be thoroughly flushed using appropriate neutralising agents.

The acids must be used with great care, all relevant regulations of the employers' liability insurance associations must be adhered to.

If in doubt, contact the manufacturer of the chemicals!

CAUTION!

Caution - Heating Technicians !

Depending on the filling water quality and quantity, in particular in the case of mixed installations and plastic pipes, mineral deposits (rust sludge, lime) may form, impairing the proper functioning of the heating installation. A reason for this is the water hardness and oxygen dissolved in the filling waters as well as additional oxygen from the air, which may penetrate via valves, fittings and plastic pipes (oxygen diffusion). As a preventive measure it is recommended that a physical water conditioner such as ELYSATOR be used.

9.3 Cleaning of Heat Source Side

CAUTION!

The supplied strainer is to be installed in the heat source inlet of the heat pump in order to protect the evaporator against contamination.

The filter screen of the strainer should be cleaned one day after commissioning, thereafter every week. If no more contamination can be noticed any more, the strainer filter can be removed in order to reduce pressure losses.

10 MALFUNCTIONS/ TROUBLESHOOTING

This heat pump is a quality product and is designed for trouble-free operation. In the event that a malfunction occurs nevertheless, you will be able to correct the problem yourself in most of the cases. Simply consult the Malfunctions and Troubleshooting table contained in the operating manual of the heat pump controller.

Additional malfunctions can be interrogated at the heat pump controller.

If you cannot correct the malfunction yourself, please contact the after-sales service agent in charge (see Warranty Certificate).

CAUTION!

All work on the heat pump may only be performed by an authorised and qualified after-sales service.

CAUTION!

All electrical circuits must be disconnected from the power source prior to opening the equipment.

11 DECOMMISSIONING

11.1 Shutdown in Summer

Shutting down the heating system in summer is effected by switching the heat pump controller to the "Summer" operating mode.

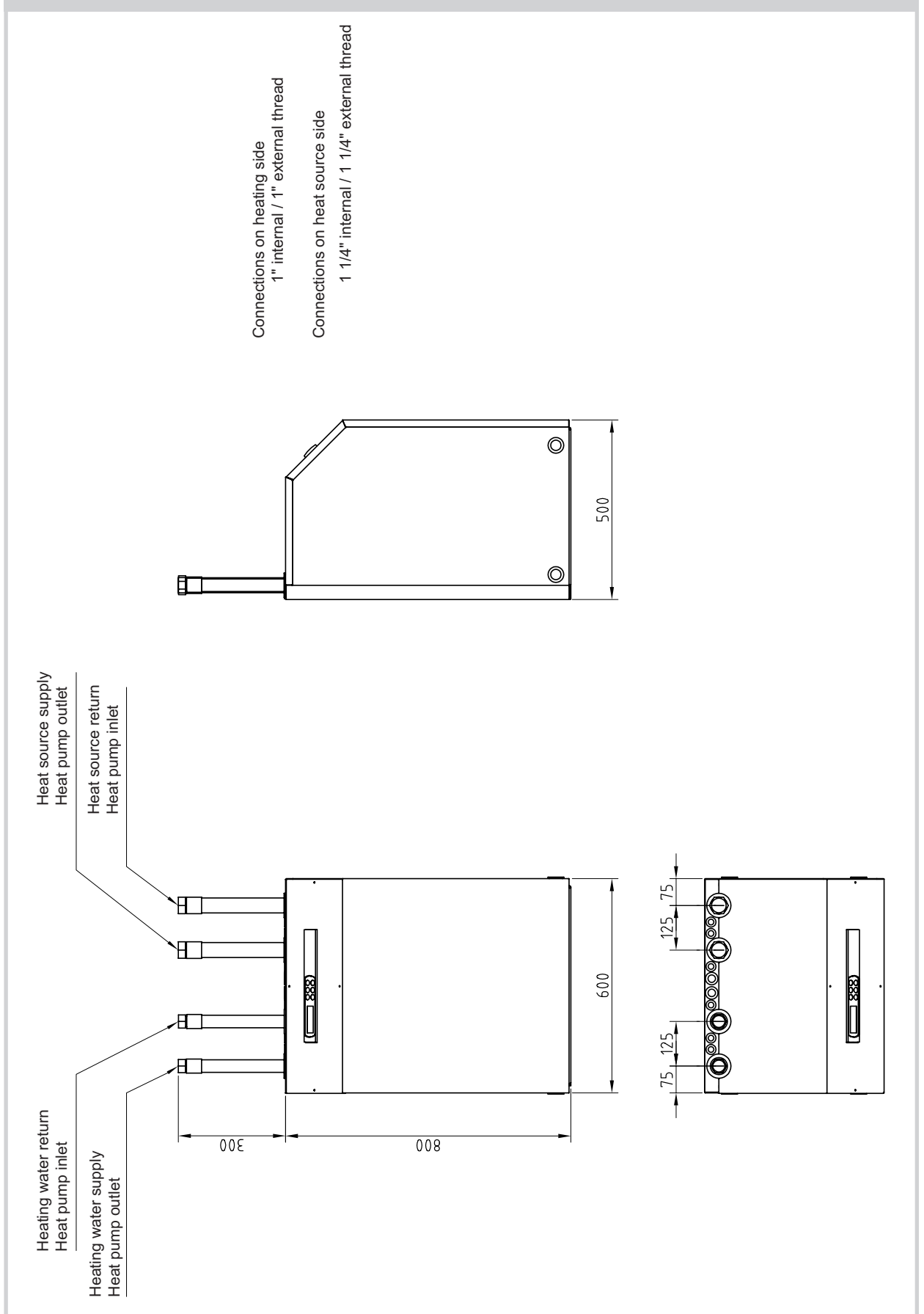
11.2 End-of-Life Decommissioning/ Disposal

Before removing the heat pump, disconnect the machine from the power source and close all valves. Environment-relevant requirements regarding the recovery, recycling and disposal of service fuels and components in accordance with all relevant standards must be adhered to. Particular attention must hereby be paid to the proper disposal of refrigerants and refrigeration oils.

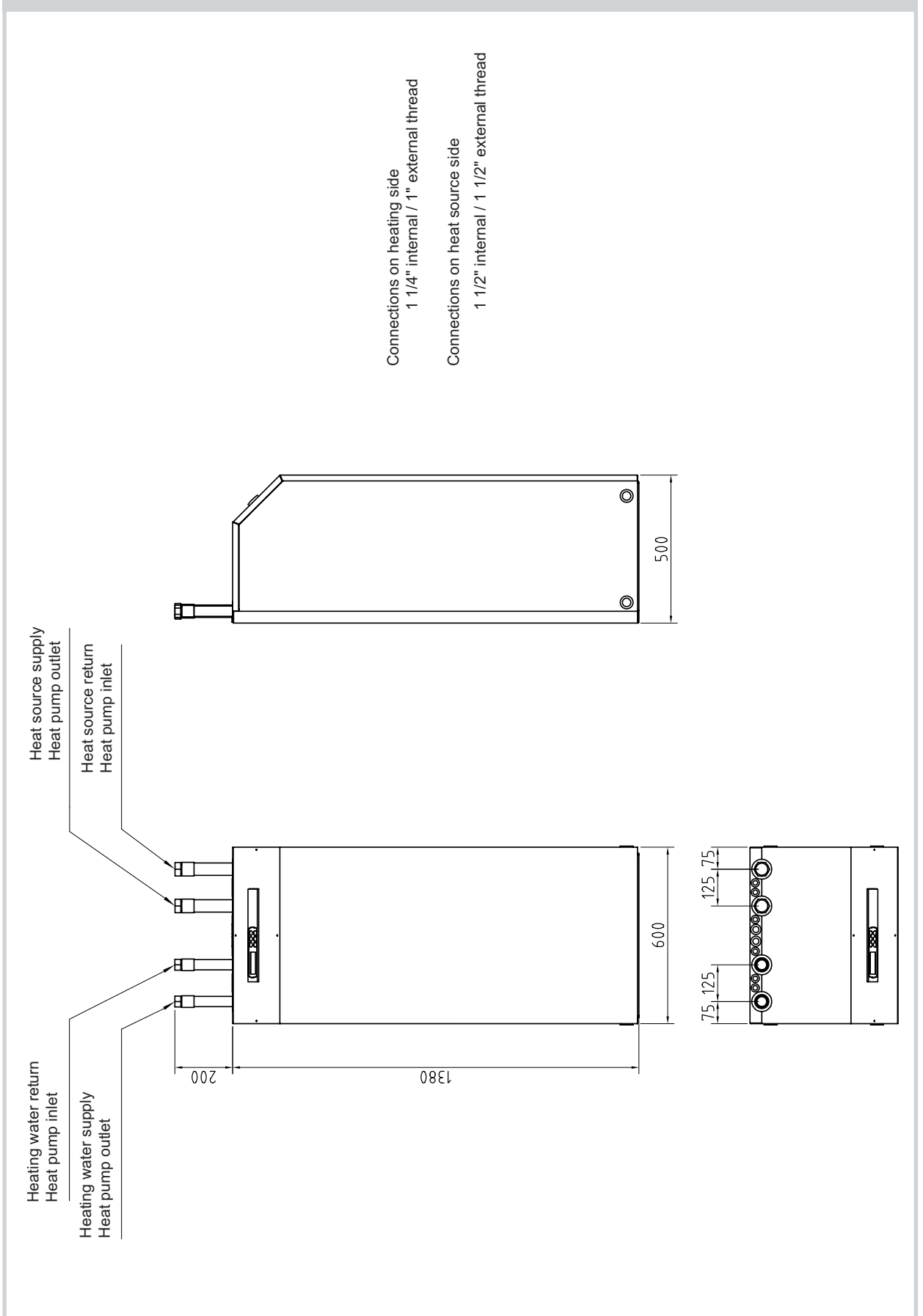
12 APPENDIX

12.1	Dimensioned Drawings	
12.1.1	Dimens'ddrawing .. 5CS - 14CS	12
12.1.2	Dimens'd drawing .. 17CS - 21CS	13
12.2	Equipment Data	14
12.3	Performance Curves/Pressure Losses	
12.3.1	Performance Curves .. 5CS	15
12.3.2	Pressure Losses .. 5CS	16
12.3.3	Performance Curves .. 7CS	17
12.3.4	Pressure Losses .. 7CS	18
12.3.5	Performance Curves .. 9CS	19
12.3.6	Pressure Losses .. 9CS	20
12.3.7	Performance Curves .. 11CS	21
12.3.8	Pressure Losses .. 11CS	22
12.3.9	Performance Curves .. 14CS	23
12.3.10	Pressure Losses .. 14CS	24
12.3.11	Performance Curves .. 17CS	25
12.3.12	Pressure Losses .. 17CS	26
12.3.13	Performance Curves .. 21CS	27
12.3.14	Pressure Losses .. 21CS	28
12.4	Wiring Diagram	
12.4.1	Control .. 5CS to .. 17CS	29
12.4.2	Load .. 5CS bis .. 17CS	30
12.4.3	Terminal Diagram .. 5CS to .. 17CS	31
12.4.4	Legend .. 5CS to .. 17CS	32
12.4.5	Control .. 21CS	33
12.4.6	Load .. 21CS	34
12.4.7	Terminal Diagram .. 21CS	35
12.4.8	Legend .. 21CS	36
12.5	Hydraulic Block Diagram	37
12.6	EC Declaration of Conformity	38
12.7	Warranty Certificate	39

12.1.1 Dimensioned Drawing .. 5CS - 14CS



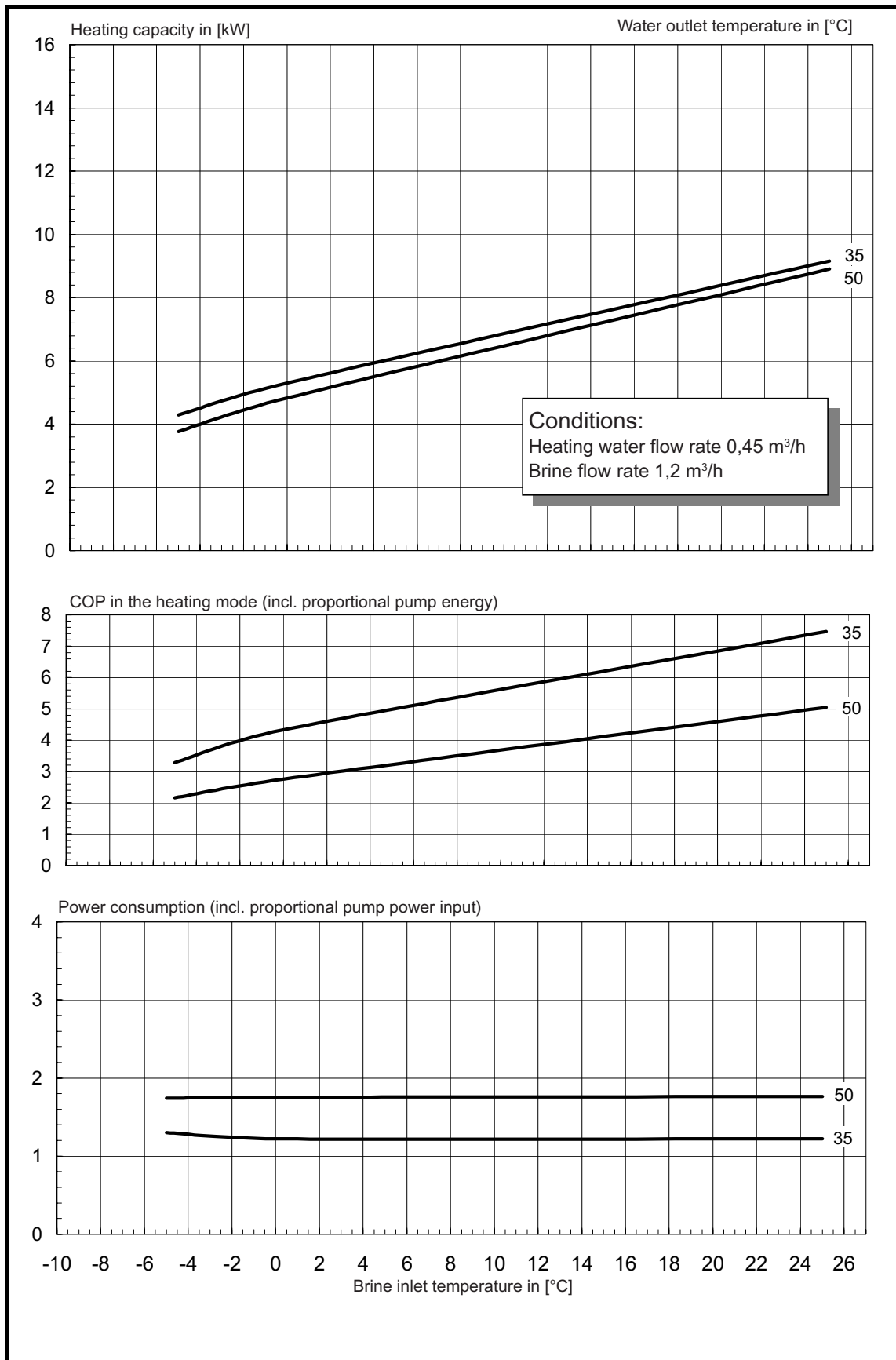
12.1.2 Dimensioned Drawings .. 17CS - 21 CS



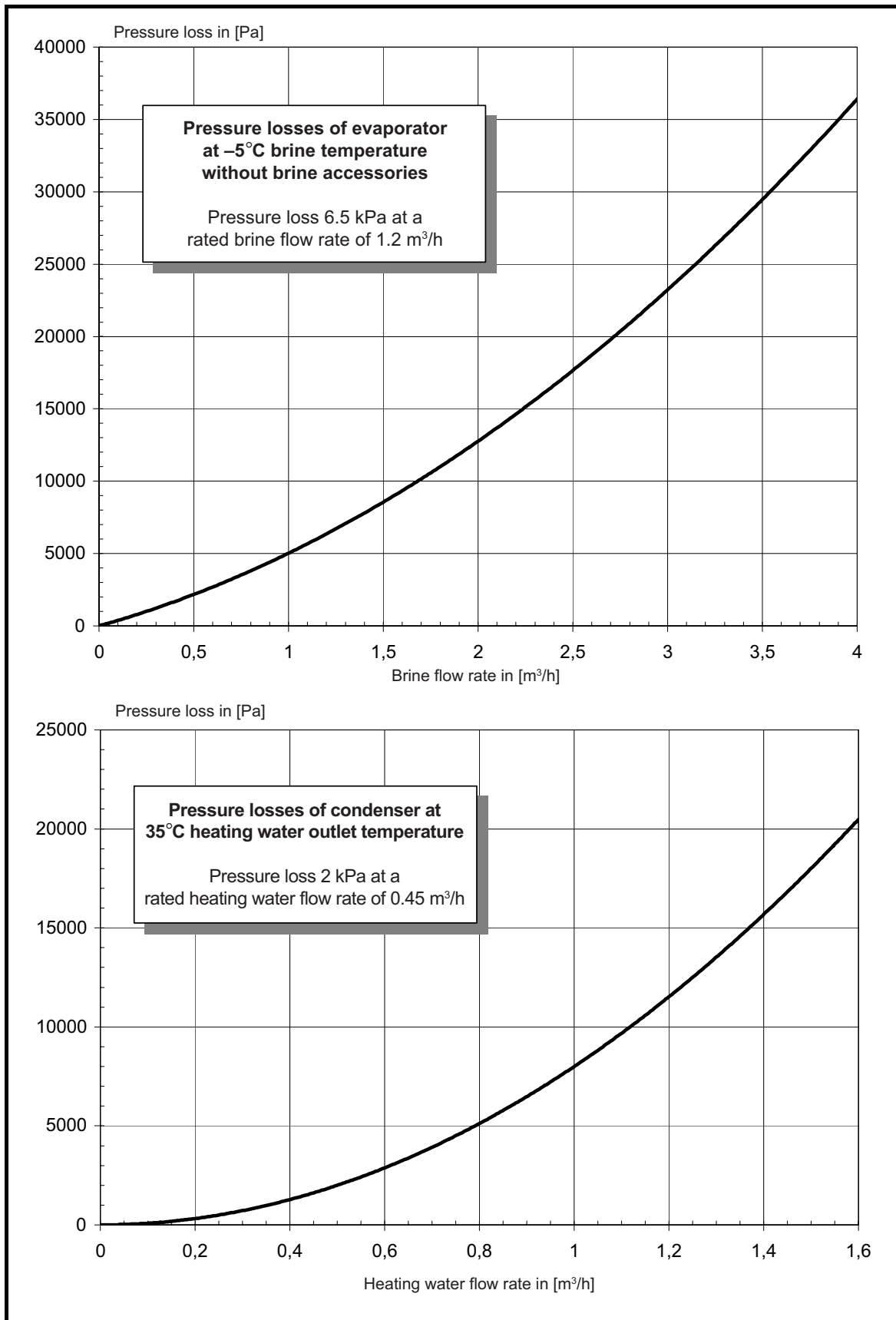
Equipment Data

EQUIPMENT DATA for brine-to-water heat pumps for heating purposes									
	..5CS	..7CS	..9CS	..11CS	..14CS	..17CS	..21CS		
1	TYPE AND COMMERCIAL DESCRIPTION								
2	MODEL								
2.1	IP 20	IP 20	IP 20	IP 20	IP 20	IP 20	IP 20	IP 20	IP 20
2.2	indoors	indoors	indoors	indoors	indoors	indoors	indoors	indoors	indoors
3	PERFORMANCE DATA								
3.1	Operating temperature limits:								
	max. 55	max. 55	max. 55	max. 55	max. 55	max. 55	max. 55	max. 55	max. 55
	-5 to +25	-5 to +25	-5 to +25	-5 to +25	-5 to +25	-5 to +25	-5 to +25	-5 to +25	-5 to +25
	monoethylene glycol	monoethylene glycol	monoethylene glycol	monoethylene glycol	monoethylene glycol	monoethylene glycol	monoethylene glycol	monoethylene glycol	monoethylene glycol
	0.25	0.25	0.25	0.25	0.25	0.25	0.25	0.25	0.25
3.2	10,1	9,9	10,5	10,1	9,6	9,3	11,3		
3.3	3,8 / 1,96	5,6 / 2,2	7,7 / 2,3	9,4 / 2,4	12,5 / 2,6	14,4 / 2,6	17,9 / 2,5		
	at B0 / W50 1)		9,0 / 3,1	11,3 / 3,0	14,2 / 3,4	16,7 / 3,2	20,4 / 3,1		
	at B0 / W35 1)	6,9 / 4,3	9,2 / 4,4	11,8 / 4,4	14,5 / 4,5	17,1 / 4,6	21,1 / 4,3		
3.4	54	55	56	56	56	58	59		
3.5	0,45 / 2000	0,6 / 2500	0,75 / 4500	1,0 / 3500	1,3 / 3500	1,5 / 4000	1,6 / 6000		
3.6	1,2 / 6500	1,7 / 10000	2,3 / 16000	3,0 / 13000	3,5 / 13000	3,8 / 9000	6,0 / 12000		
3.7	R407C / 1,7	R407C / 1,5	R407C / 1,8	R407C / 2,0	R407C / 2,3	R407C / 2,8	R407C / 4,5		
4	DIMENSIONS; CONNECTIONS AND WEIGHT								
4.1	800 x 600 x 500	800 x 600 x 500	800 x 600 x 500	800 x 600 x 500	800 x 600 x 500	800 x 600 x 500	1380 x 600 x 500		
4.2	thread 1" / ext.	thread 1" / ext.	thread 1" / ext.	thread 1" / ext.	thread 1" / ext.	thread 1" / ext.	thread 1" / ext.		
4.3	thread 1 1/4" / ext.	thread 1 1/4" / ext.	thread 1 1/4" / ext.	thread 1 1/4" / ext.	thread 1 1/4" / ext.	thread 1 1/4" / ext.	thread 1 1/4" / ext.		
4.4	131	133	134	145	157	165	215		
5	ELECTRICAL CONNECTION								
5.1	400 / 16	400 / 16	400 / 16	400 / 16	400 / 16	400 / 16	400 / 20		
5.2	1.23	1.6	2.07	2.66	3.22	3.72	4.91		
5.3	22 (w/out soft st.)	30 (w/out soft st.)	15	26	26	27	29		
5.4	2.22	2.89	3.77	4.84	5.81	6.35	8.86		
6	COMPLIES WITH EUROPEAN SAFETY REGULATIONS								
7	OTHER DESIGN CHARACTERISTICS								
7.1	ja	yes	yes	yes	yes	yes	yes		
7.2	1	1	1	1	1	1	1		
7.3	internal	internal	internal	internal	internal	internal	internal		
1)	These data characterize the size and performance capability of the system. For economic and energetic reasons, additional factors such as balance point and control need to be taken into consideration. Abbreviations have the following meaning, e.g. B10 / W55: heat source temperature 10 °C and heating water supply temperature 55 °C.								
3)	See EC Declaration of Conformity								
2)	The heating circulating pump and the controller of the heat pump must be ready for operation at all times.								
4)	Please keep in mind that more space is required for pipe connection, operation and maintenance.								

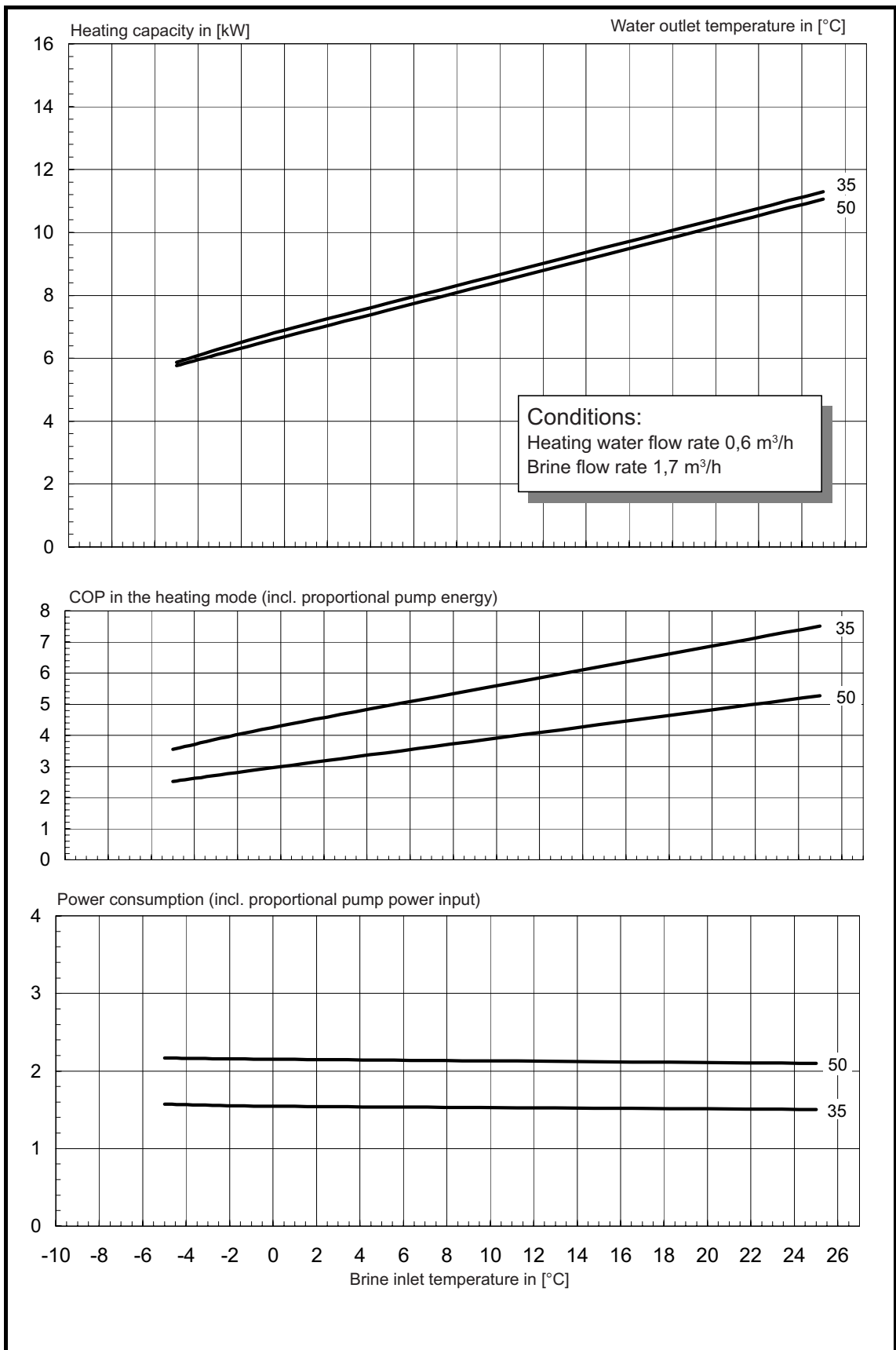
12.3.1 Performance Curves .. 5CS



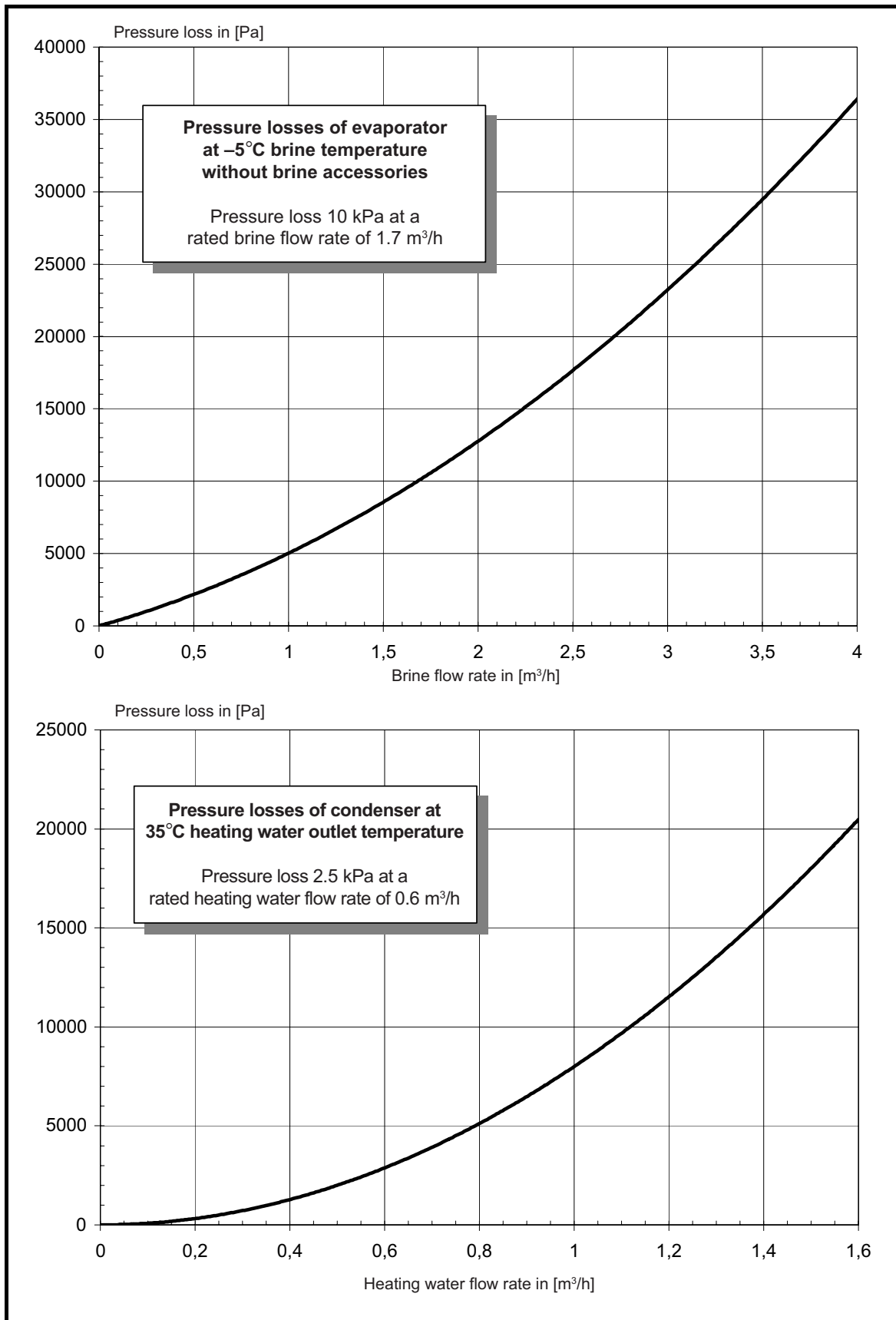
12.3.2 Pressure Losses .. 5CS



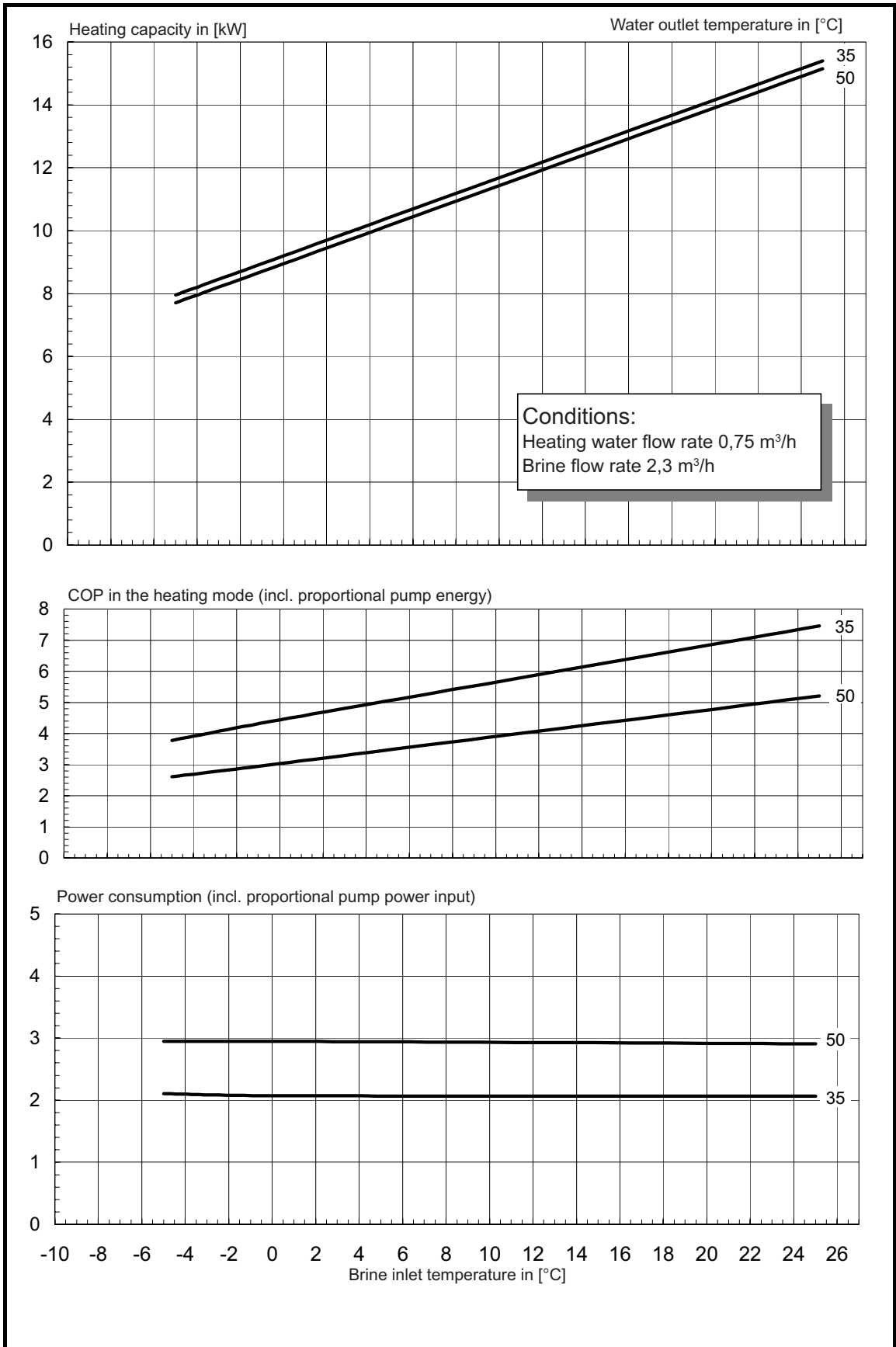
12.3.3 Performance Curves .. 7CS



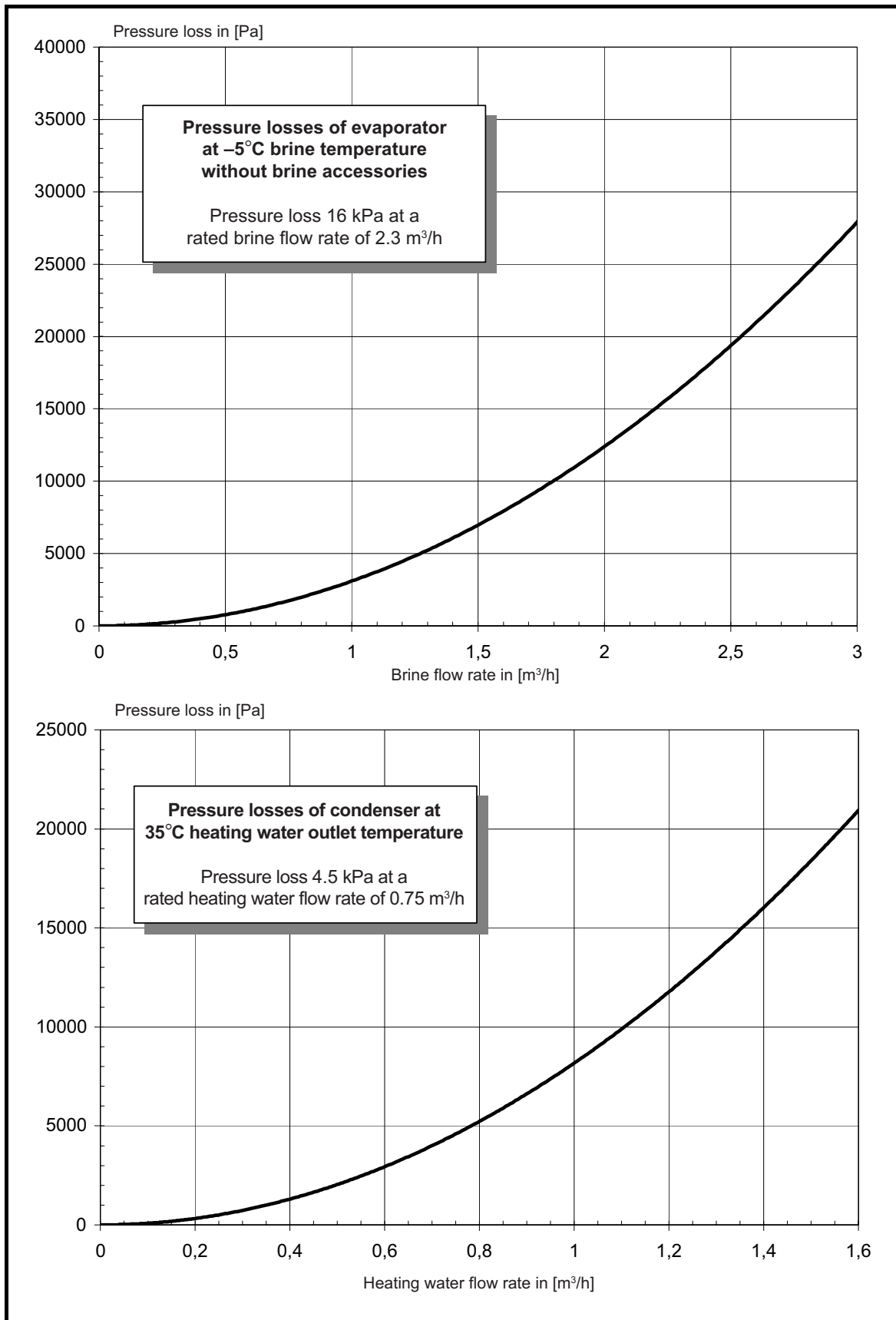
12.3.4 Pressure Losses .. 7CS



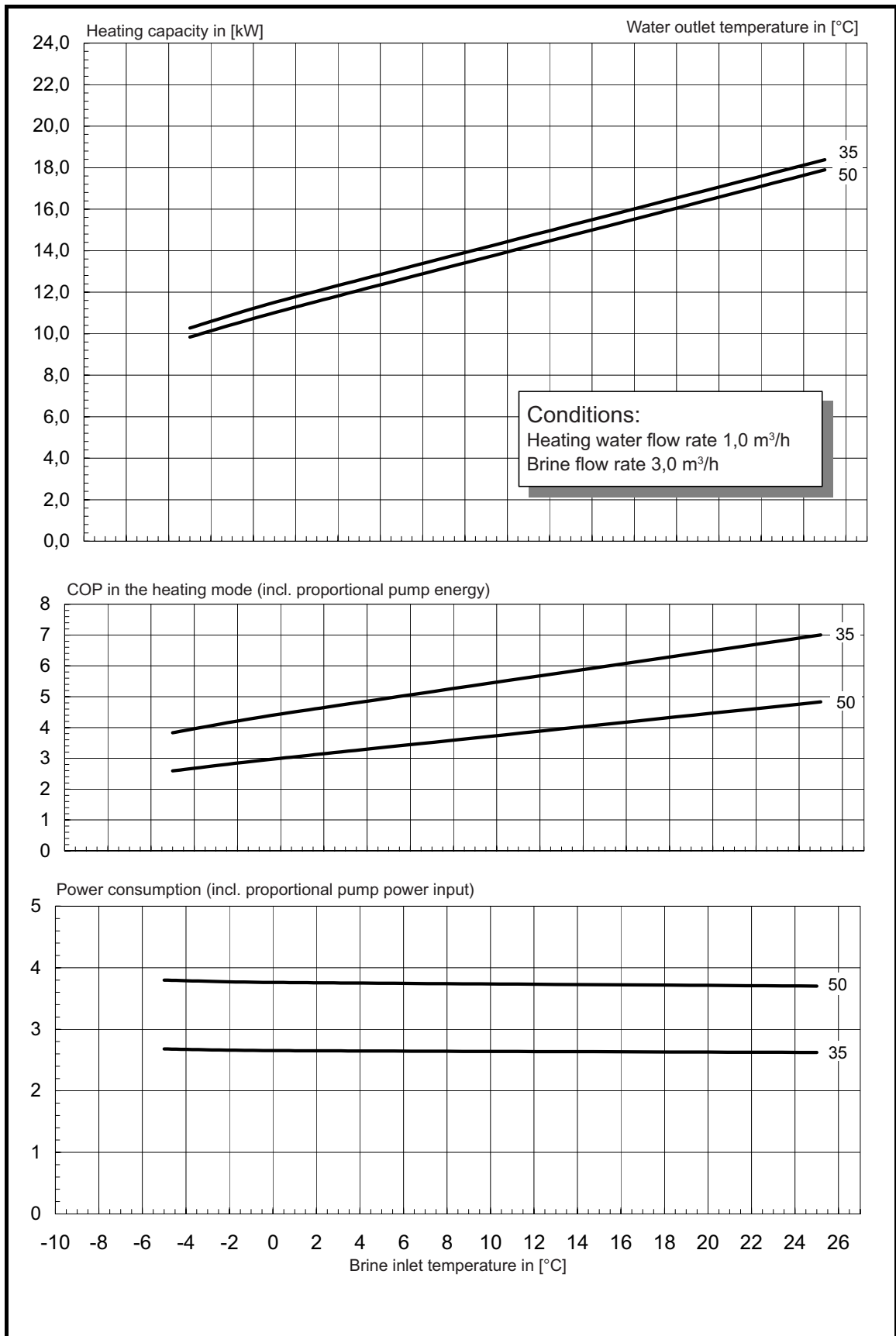
12.3.5 Performance Curves .. 9CS



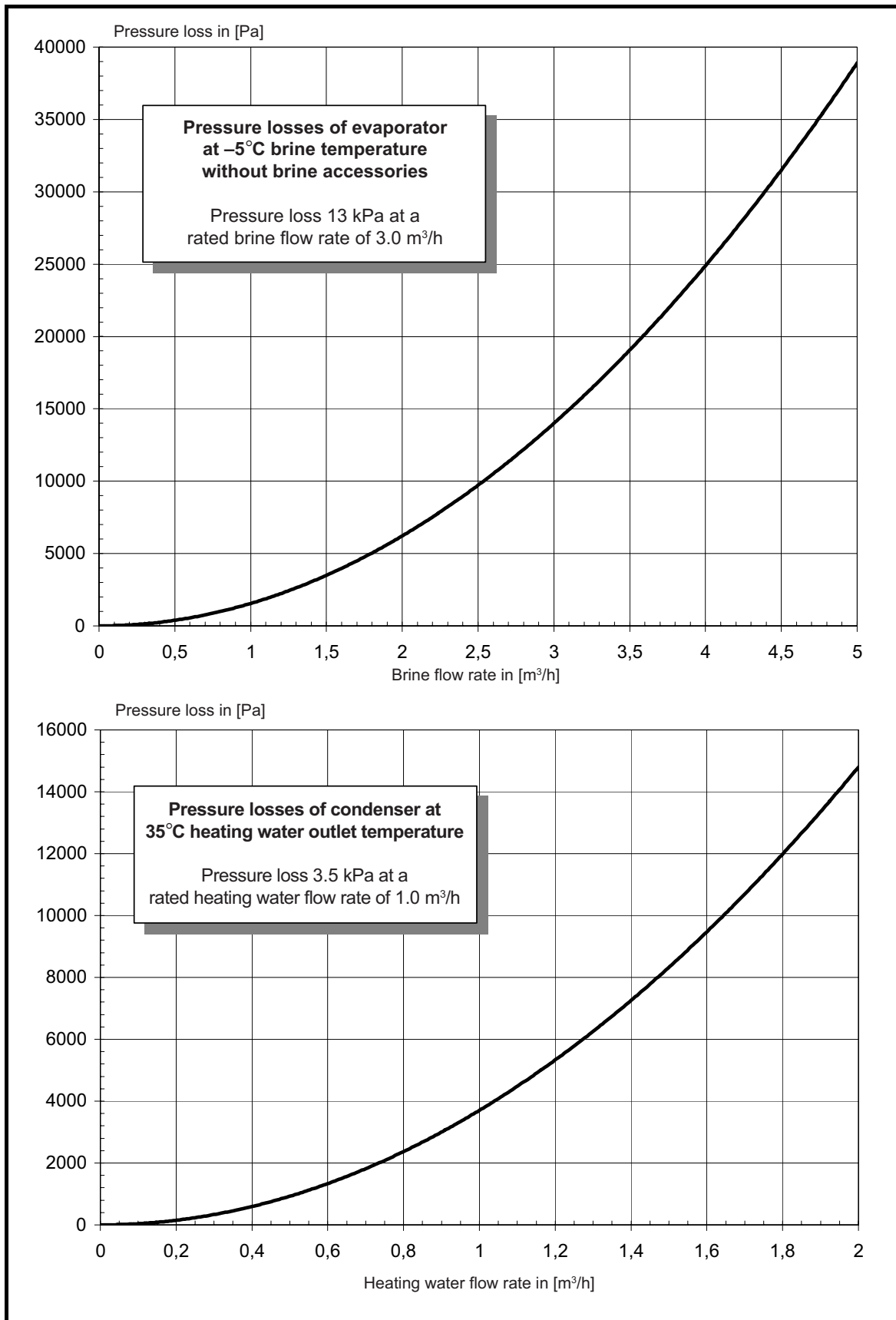
12.3.6 Pressure Losses .. 9CS



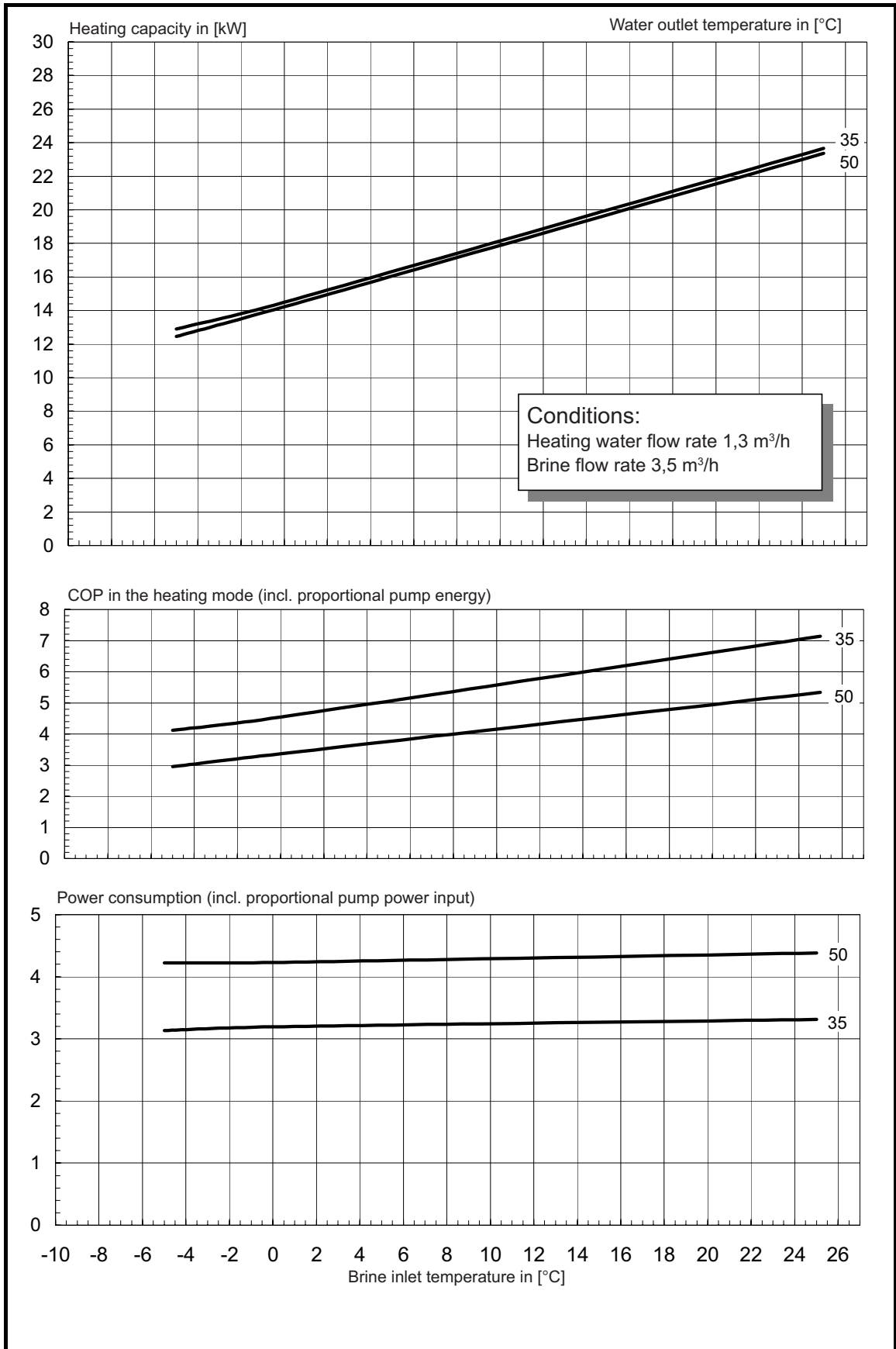
12.3.7 Performance Curves .. 11CS



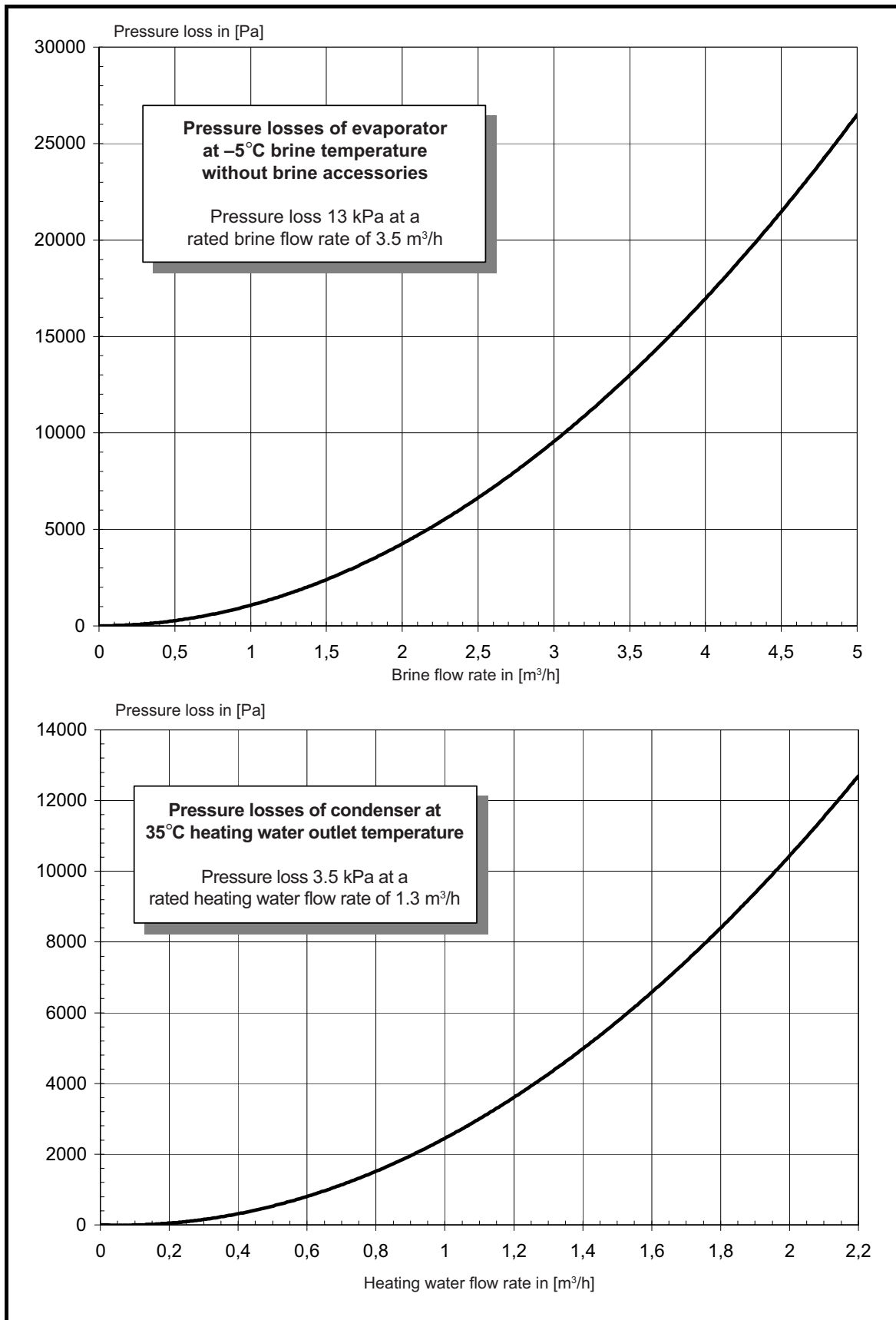
12.3.8 Pressure Losses .. 11CS



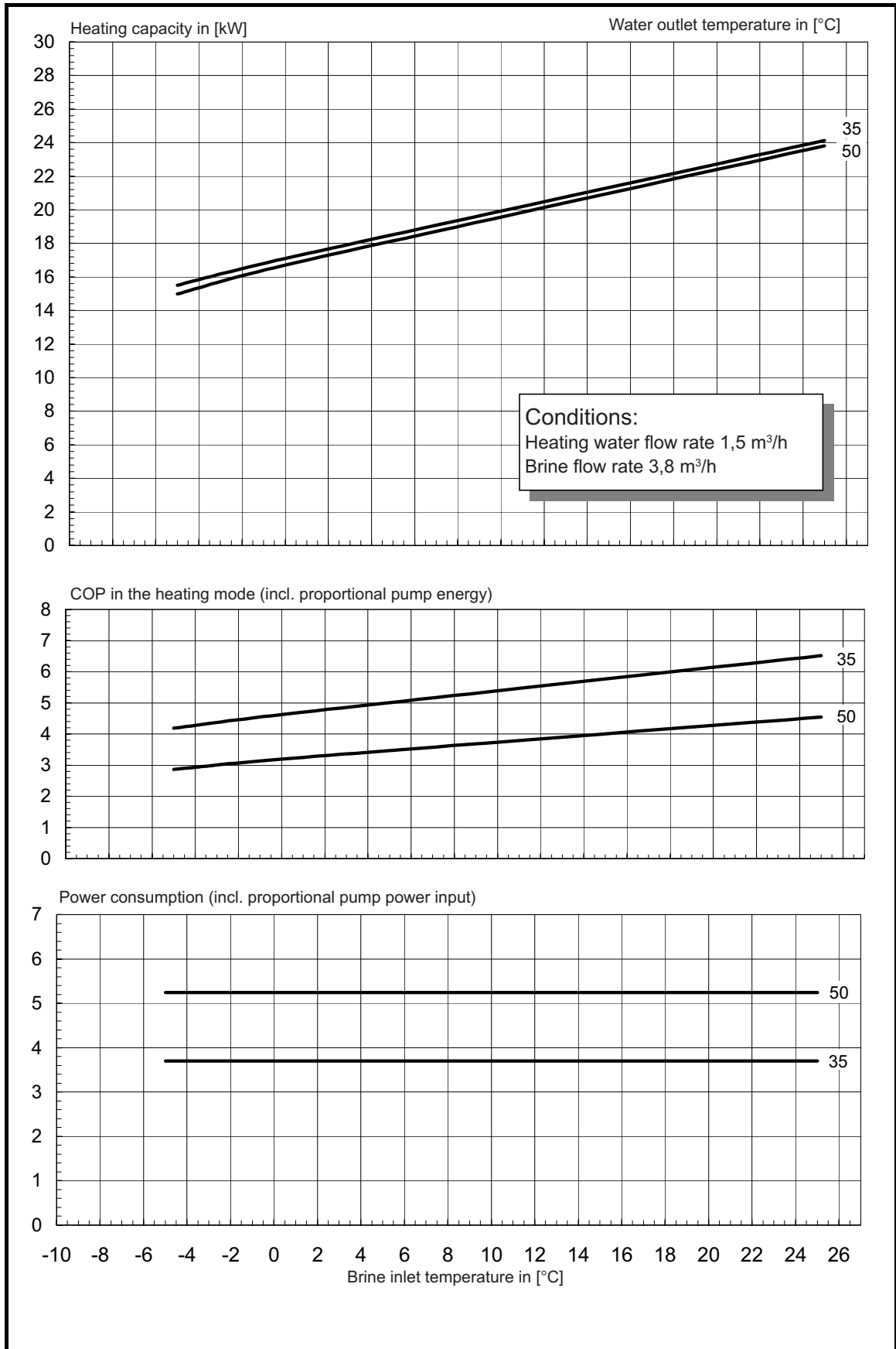
12.3.9 Performance Curves .. 14CS



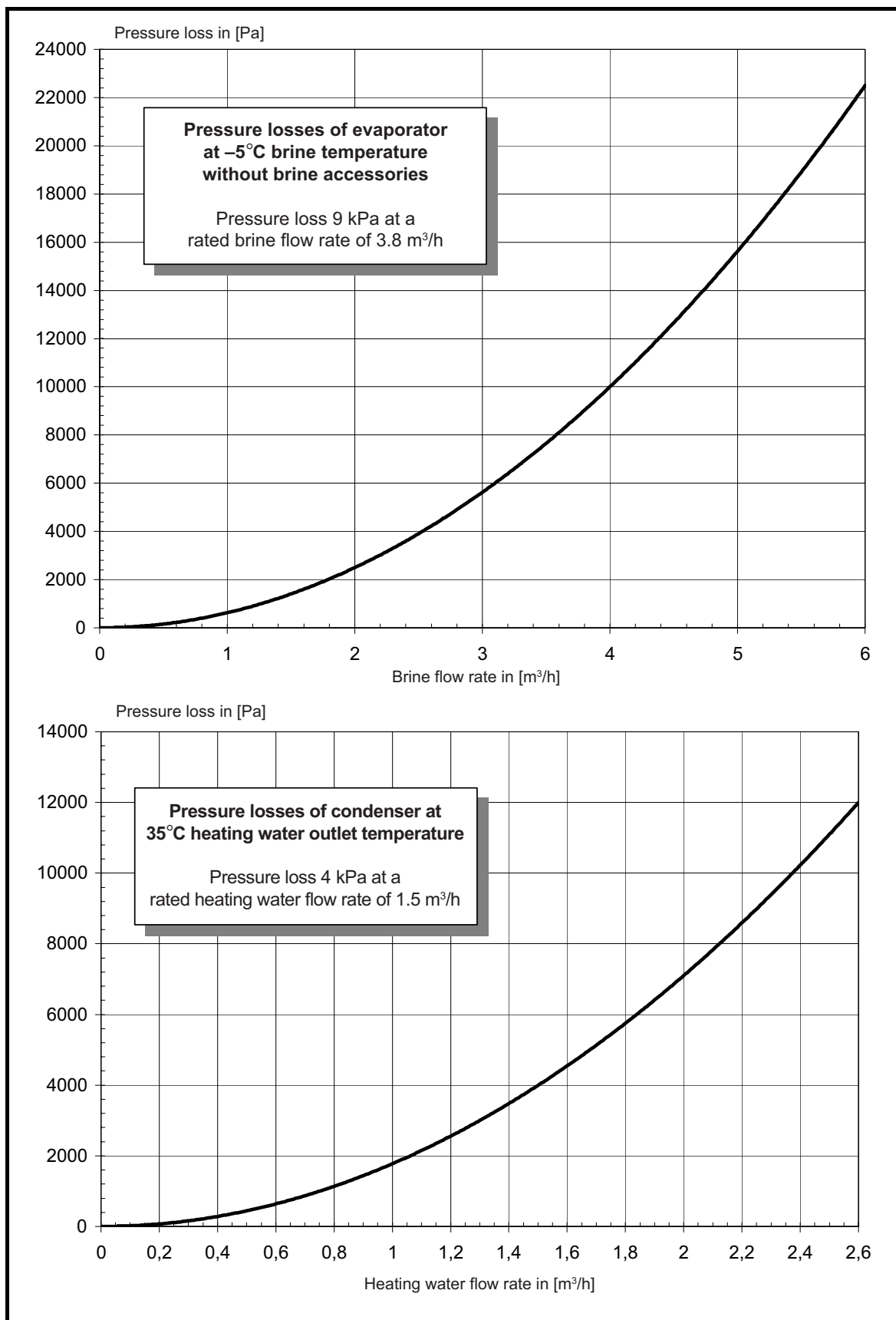
12.3.10 Pressure Losses .. 14CS



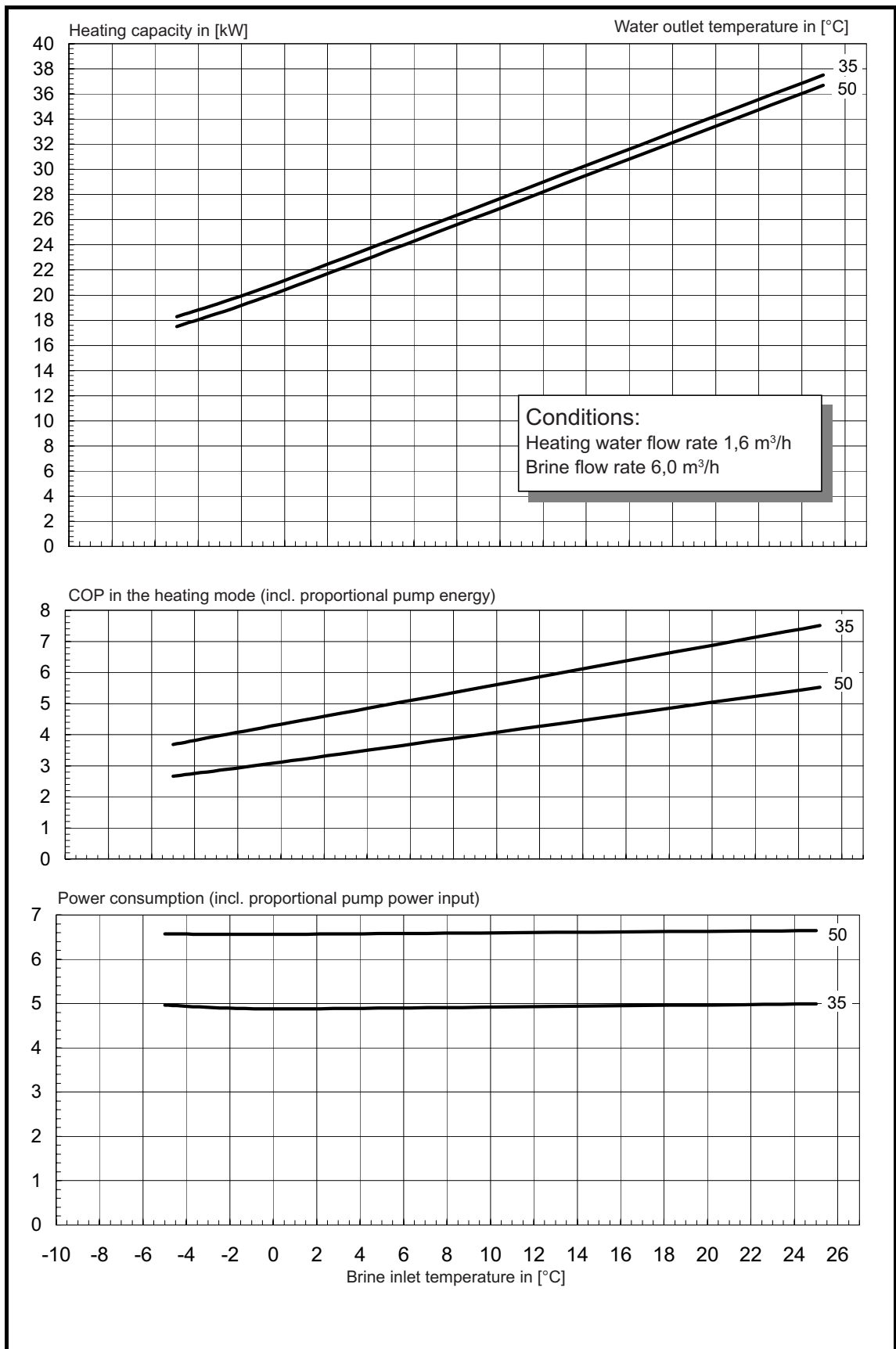
12.3.11 Performance Curves .. 17CS



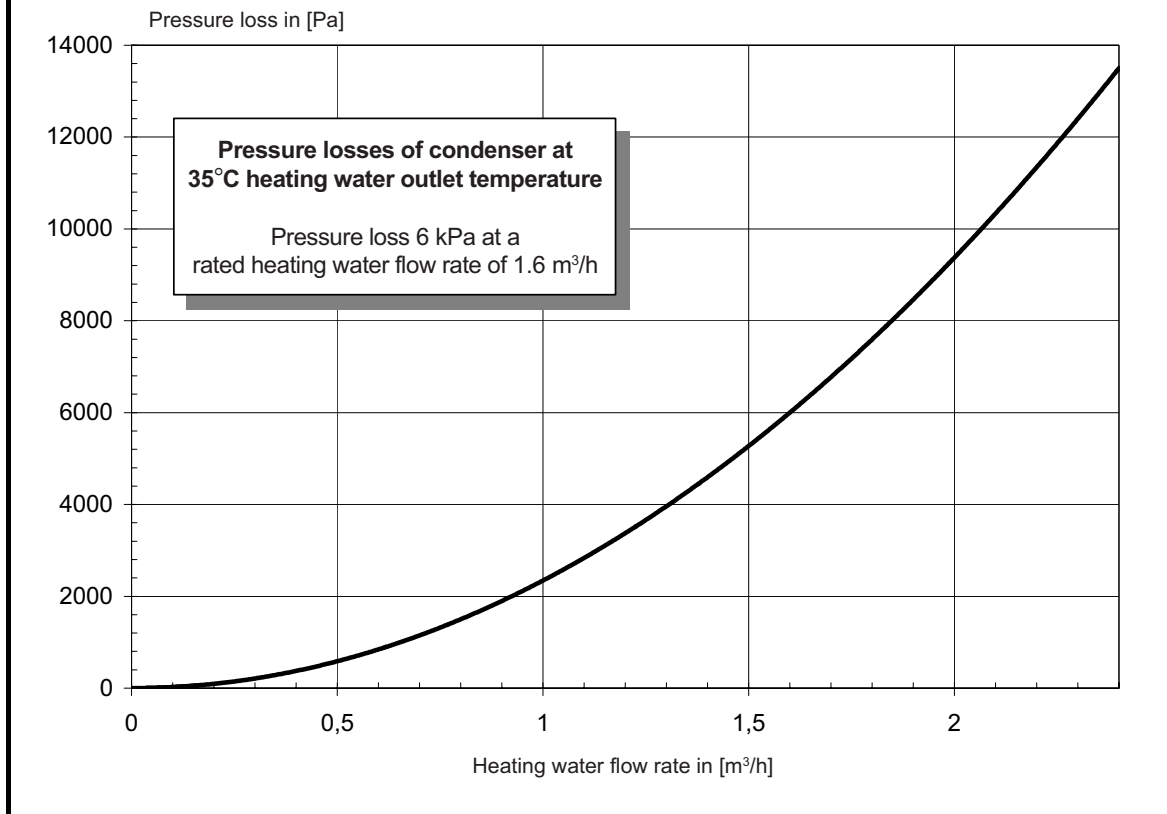
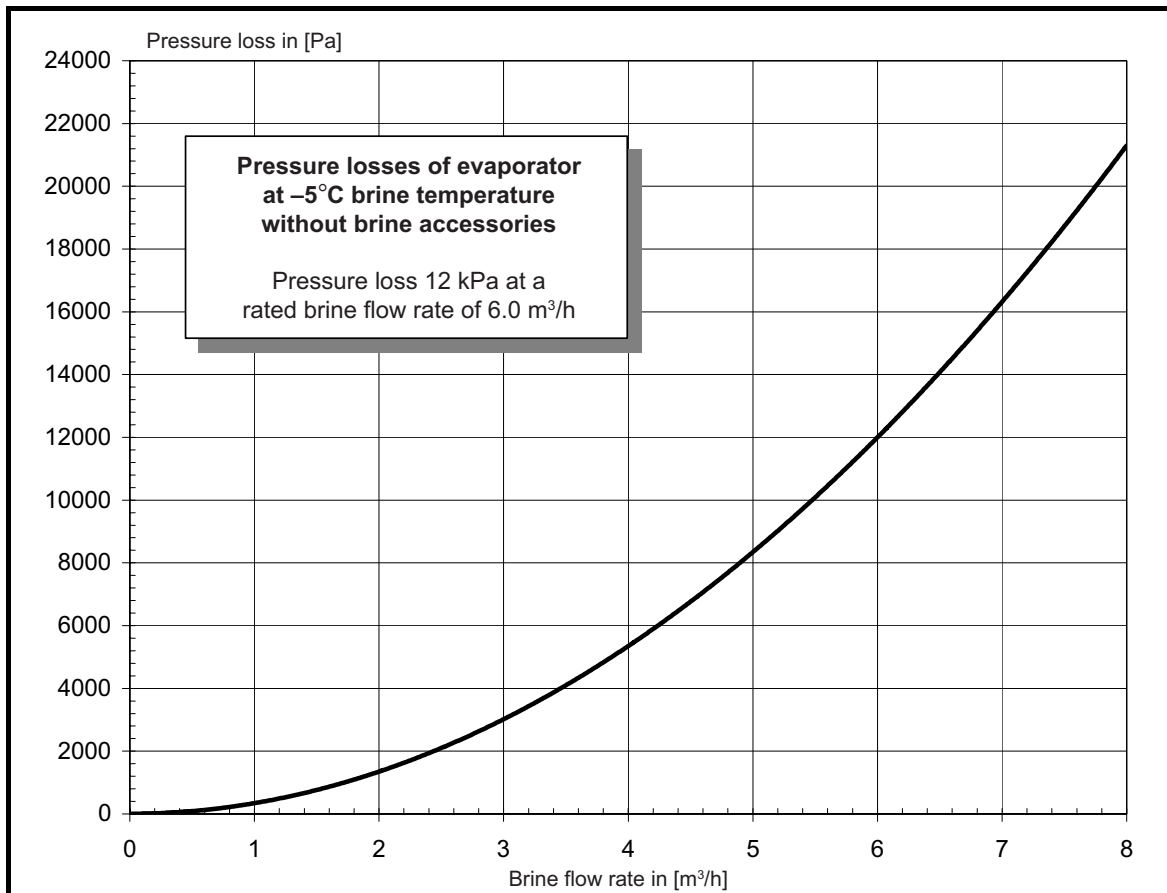
12.3.12 Pressure Losses .. 17CS



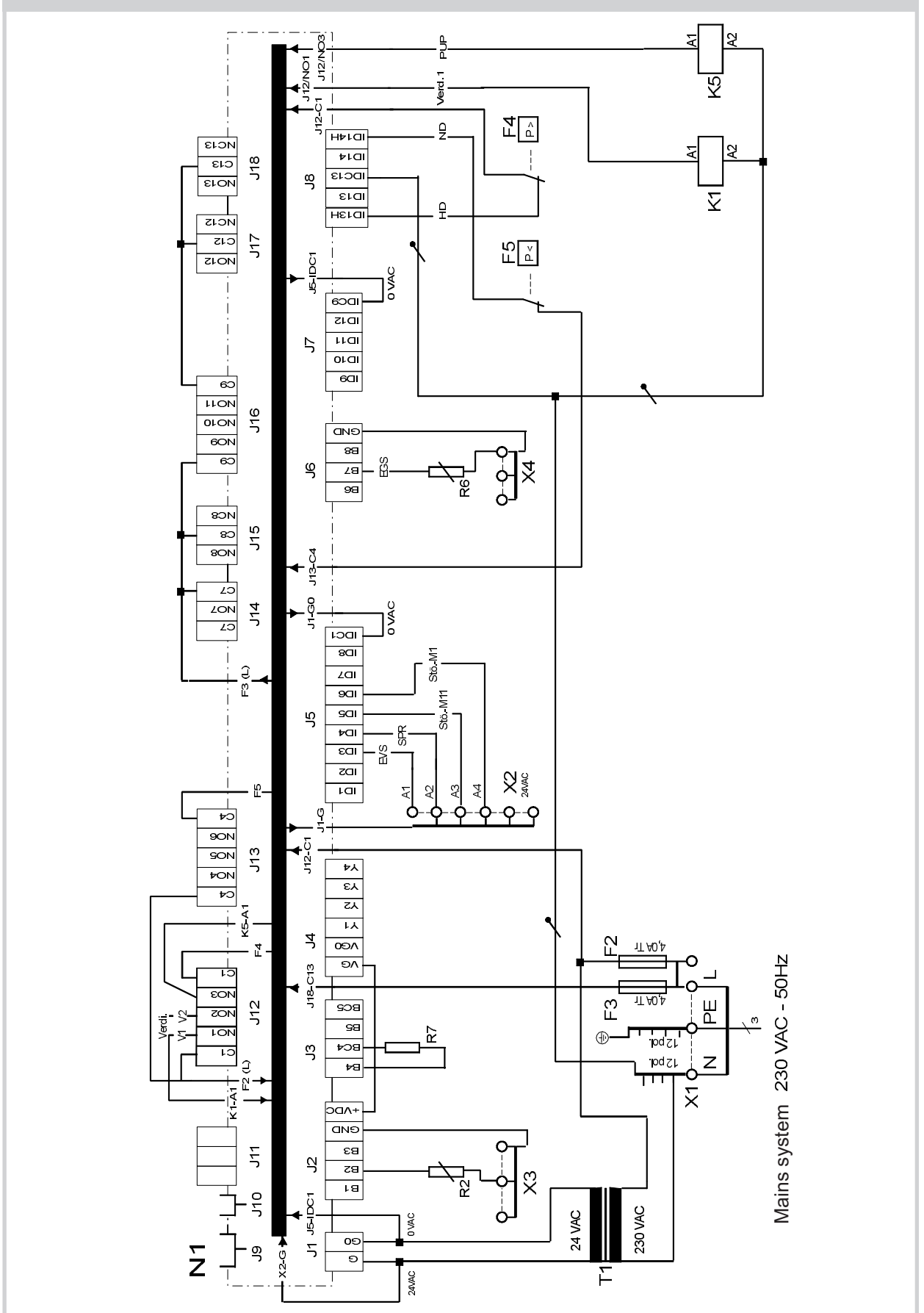
12.3.13 Performance Curves .. 21CS



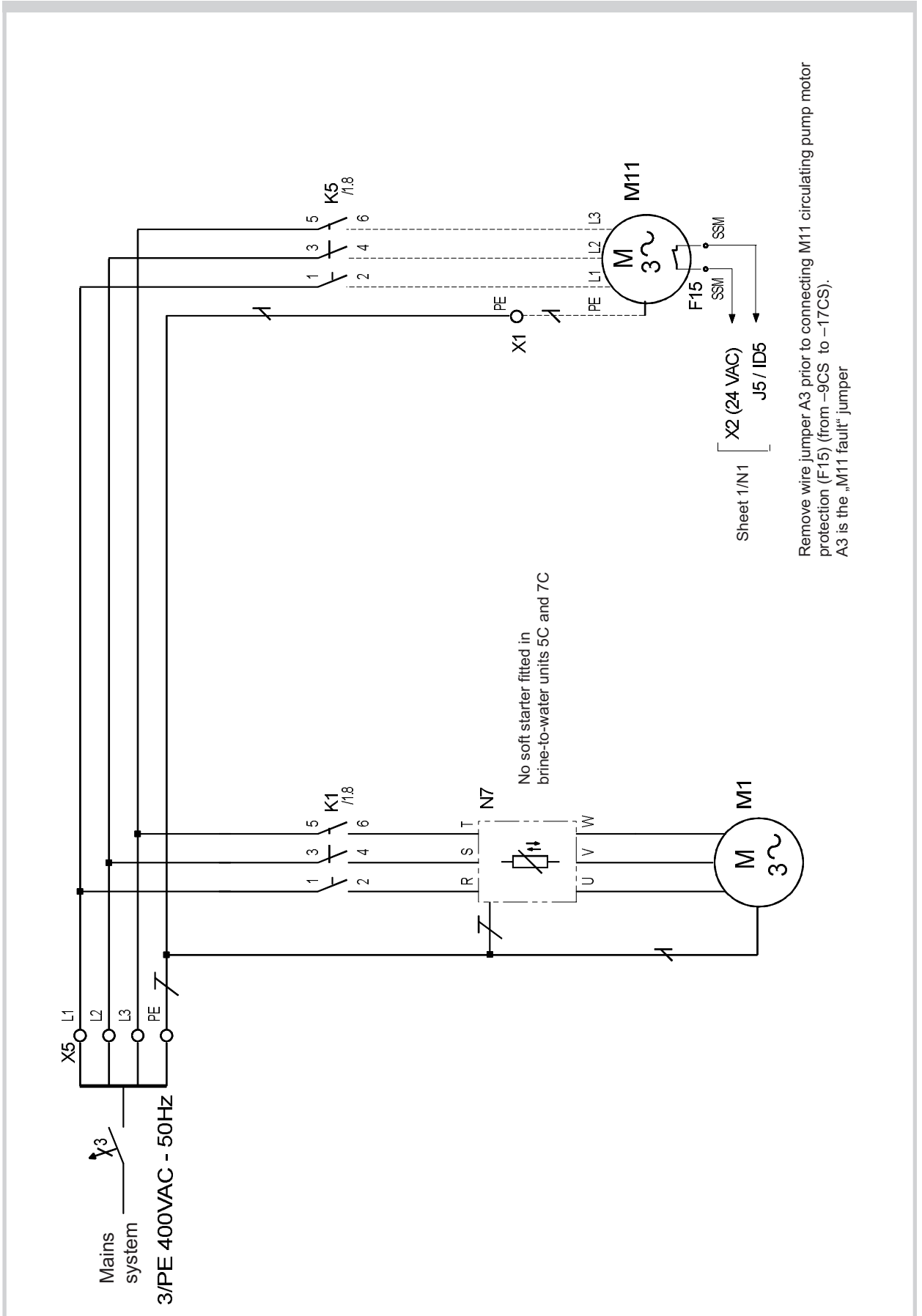
12.3.14 Pressure Losses .. 21CS



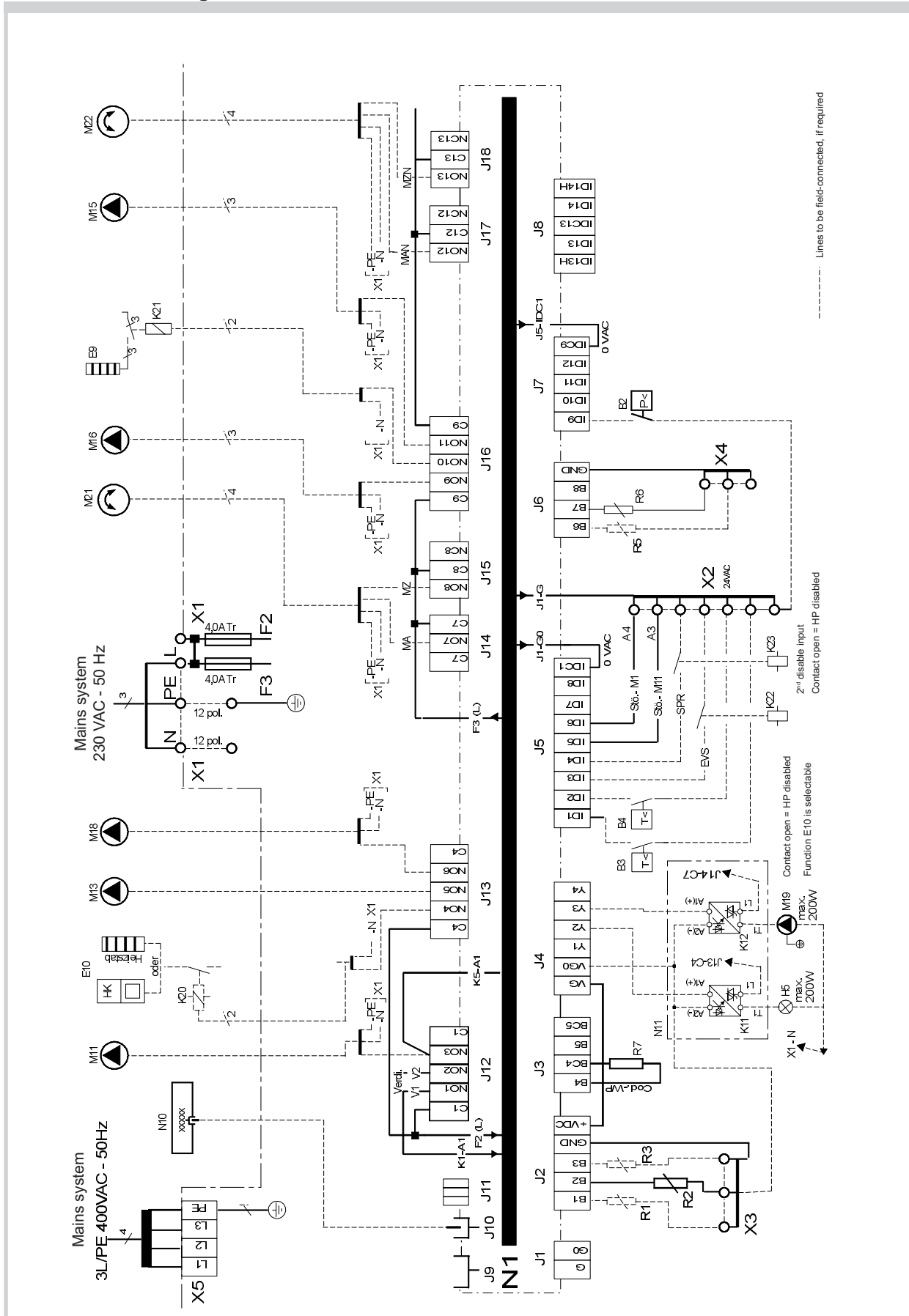
12.4.1 Control .. 5CS to .. 17CS



12.4.2 Load .. 5CS to .. 17CS



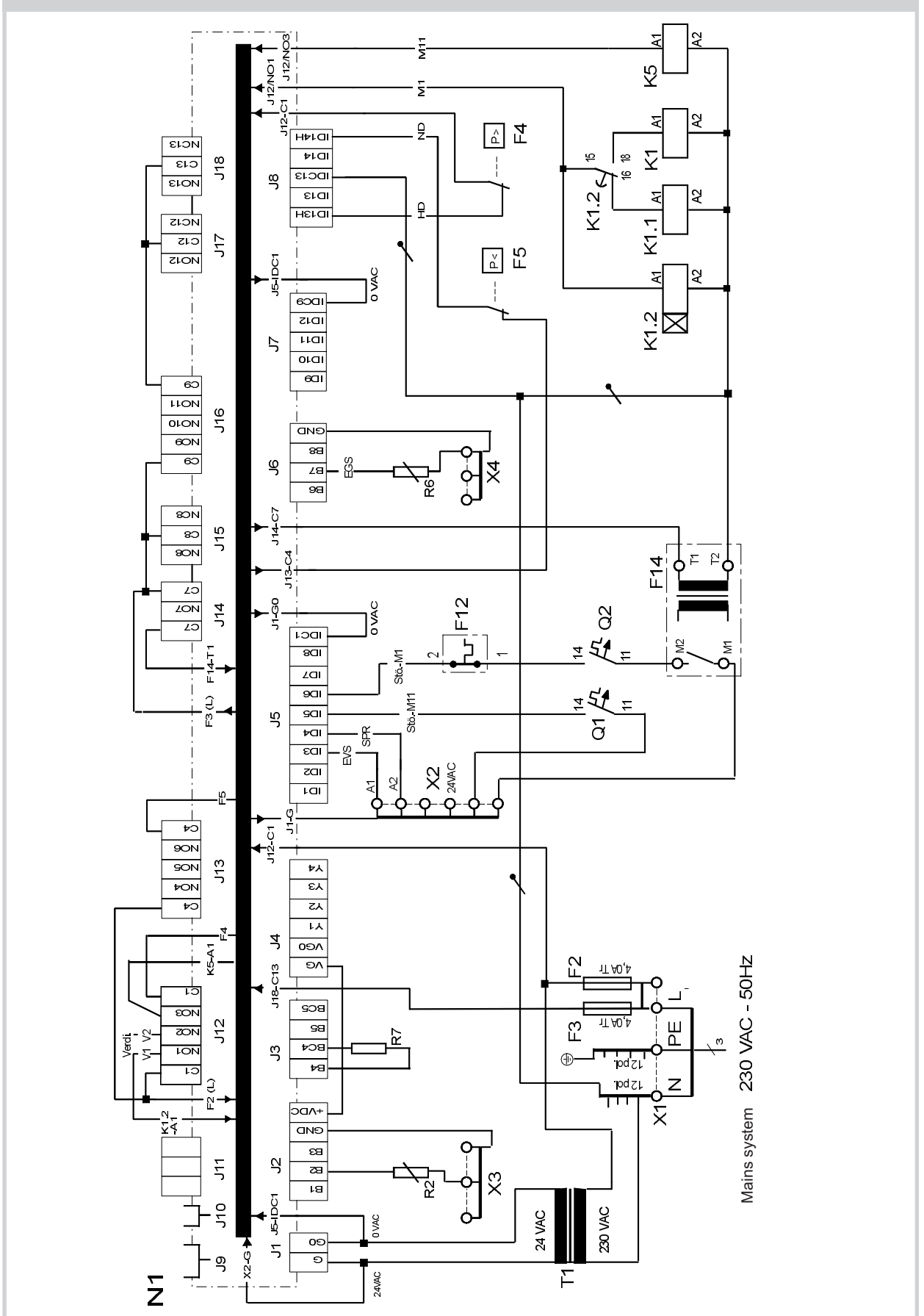
12.4.3 Terminal Diagram .. 5CS to .. 17CS



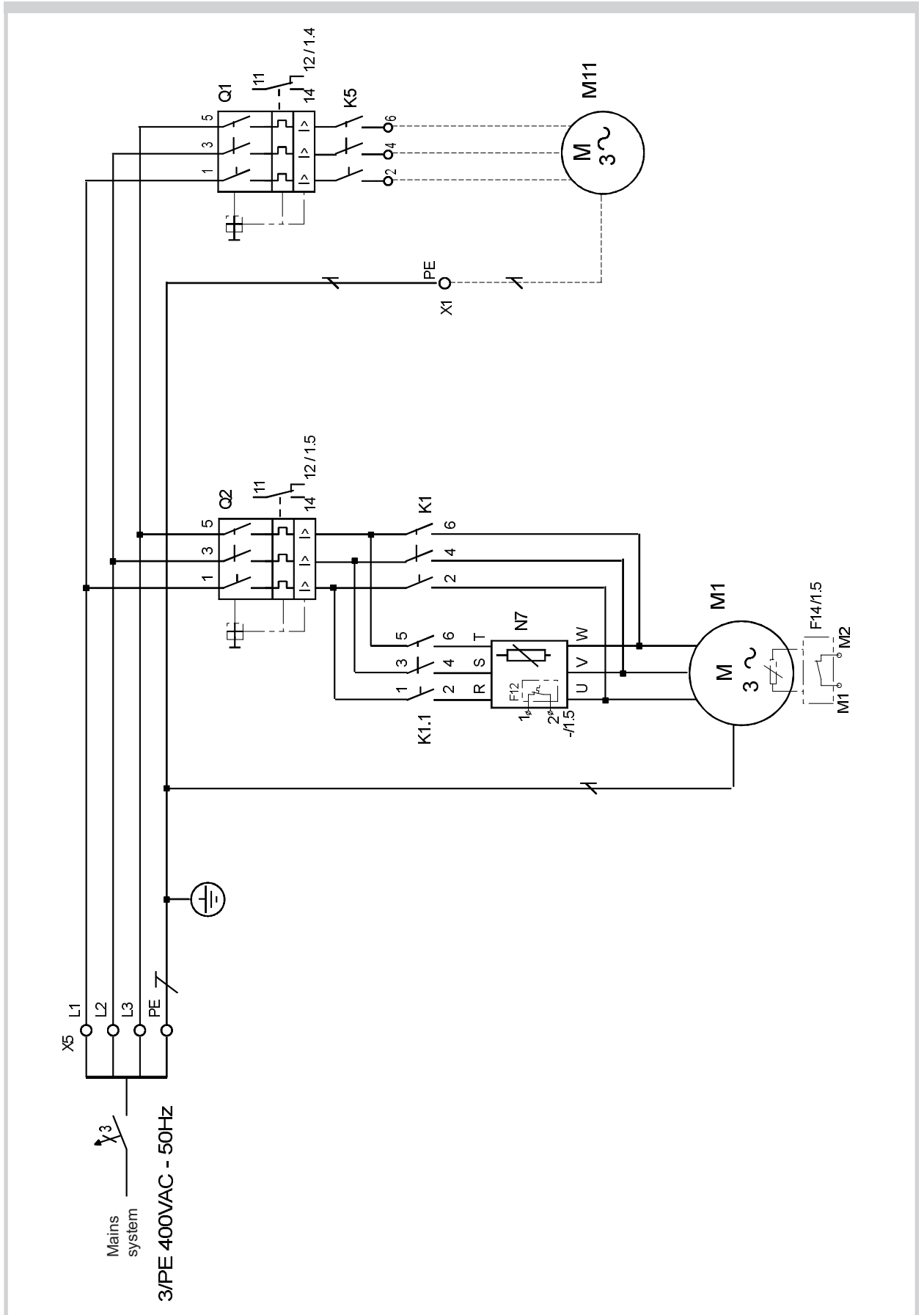
12.4.4 Legend .. 5CS to .. 17CS

A1	Wire jumper, must be removed if a utility company disable contactor is used	
A2	Wire jumper, must be removed if 2nd disable input is used	
A3	Wire jumper, must be removed if a motor protection contact for primary pump is used	
A4	Wire jumper, must be removed if a motor protection contact for the compressor is used	
	Open wire jumpers or contacts mean: lock-out or malfunction	
B2*	Pressostat low pressure, brine	
B3*	Thermostat, hot water	
B4*	Thermostat, swimming pool water	
E9*	Electr. immersion heater, hot water	
E10*	Suppl. heating system (boiler or electr. heating element)	
F2	Load fuse for N1 relay outputs across J12 and J13	4.0 A slow
F3	Load fuse for N1 relay outputs across J15 to J18	4.0 A slow
F4	Pressostat high pressure	
F5	Pressostat low pressure (in SI 17CS, F5 is a limiter with manual reset)	
F15*	Motor protection M11, from SI 9CS to SI 17CS integrated in primary pump	
H5*	Lamp, remote fault indicator	
J1...J18	Terminal connector at N1	
K1	Contactor, compressor	
K5	Contactor, primary pump	
K11*	Electron. relay for remote fault indicator (relay module)	
K12*	Electron. relay for swimming pool water circulating pump	
K20*	Contactor, suppl. heating system	
K21*	Contactor, electr. immersion heater, hot water	
K22*	Utility company disable contactor	
K23*	SPR auxiliary contactor	
M1	Compressor	
M11*	Primary pump	
M13*	Heating circulating pump	
M15*	Heating circulating pump for heating circuit 2	
M16*	Suppl. circulating pump	
M18*	Hot water circulating pump	
M19*	Swimming pool circulating pump	
M21*	Mixer heating circuit 1	
M22*	Mixer heating circuit 2	
N1	Heat pump controller	
N7	Soft start control (not fitted in SI 5CS and SI 7CS appliances)	
N10*	Remote control station	
N11*	Relay module	
R1	External sensor	
R2	Return sensor	
R3	Hot water sensor (as an alternative to hot water thermostat)	
R5	Sensor for heating circuit 2	
R6	Freeze protection sensor	
R7	Coding resistor 8k	
T1	Safety isolating transformer 230/24V AC-28V A	
X1	Terminal strip mains control L/N/PE-230V AC-50 Hz/fuses/N and PE-terminal block	
X2	Terminal strip 24V AC-terminal block	
X3	Terminal strip GND terminal block for sensors R1/-2 and -3 at J2	
X4	Terminal strip GND terminal block for sensors R5 and -6 at J6	
X5	Terminal strip power supply 3 L/PE-400V AC-50 Hz	
Abbreviations:		
EVS	Utility company disable input	
SPR	Supplementary disable input	
MA*	Mixer OPEN	
MZ	Mixer CLOSED	
*Components to be supplied by the customer		

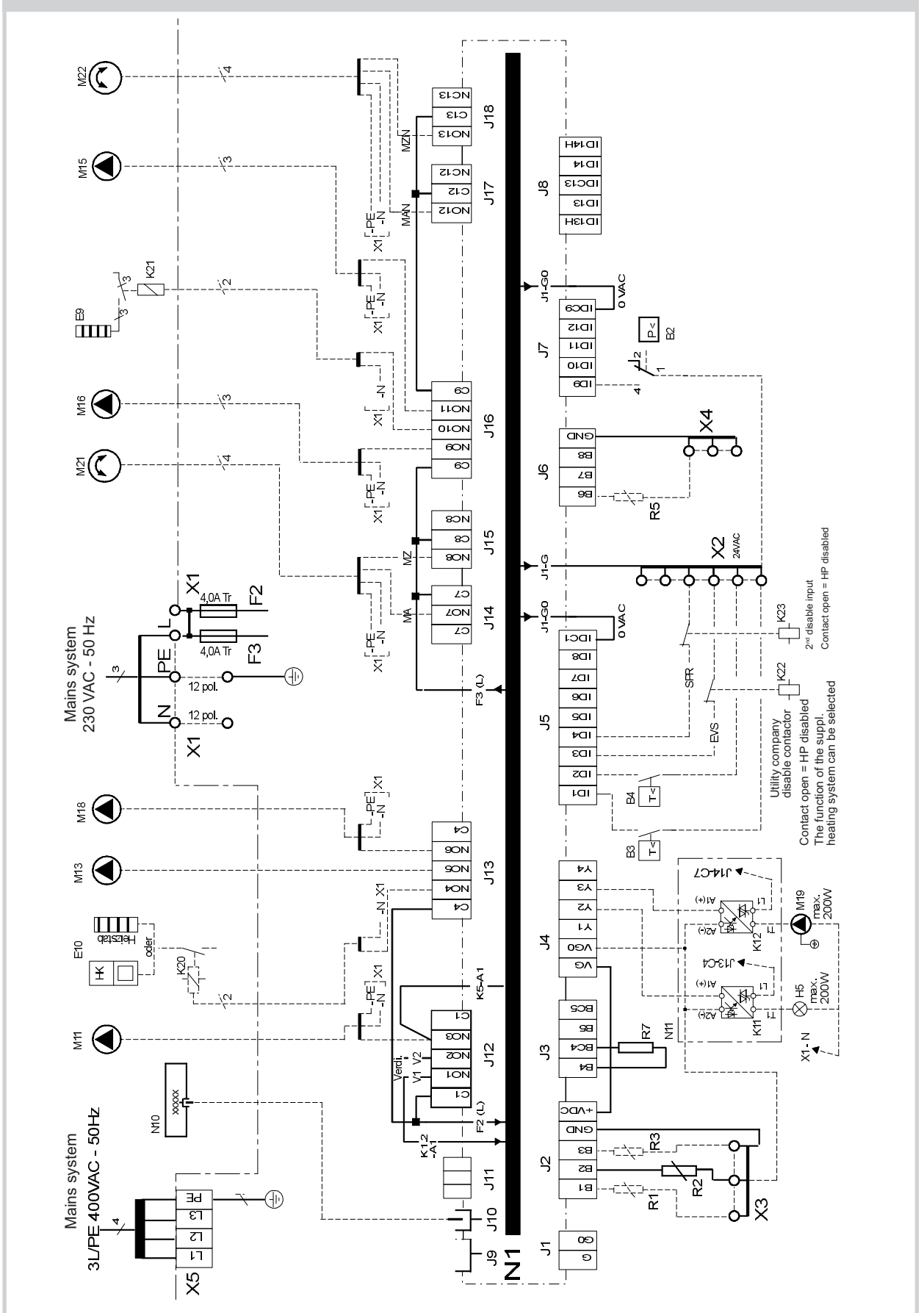
12.4.5 Control .. 21CS



12.4.6 Load .. 21CS



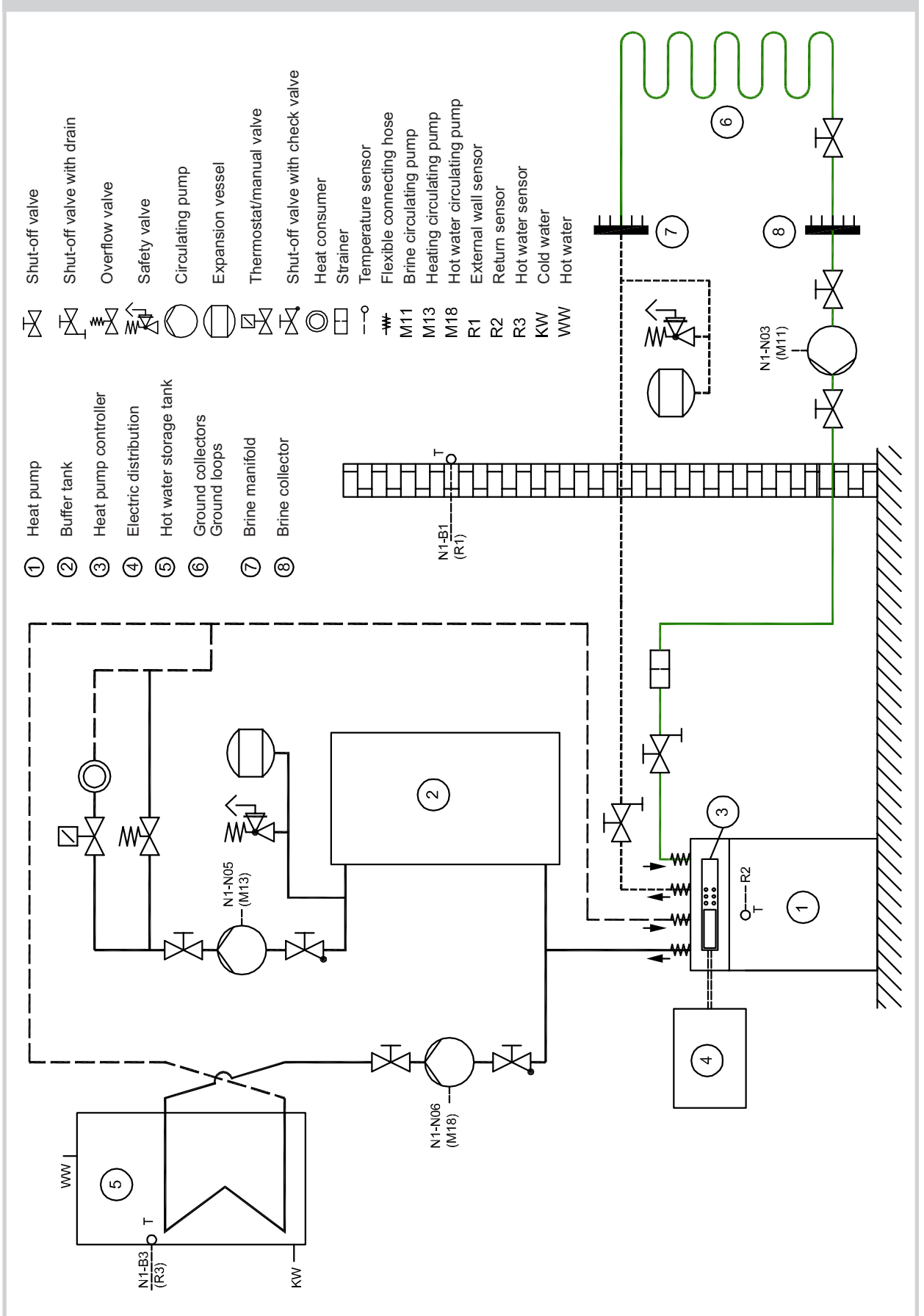
12.4.7 Terminal Diagram .. 21CS



12.4.8 Legend .. 21CS

A1	Wire jumper, must be removed if a utility company disable contactor is used	
A2	Wire jumper, must be removed if 2nd disable input is used	
B2*	Pressostat low pressure, brine	
B3*	Thermostat, hot water	
B4*	Thermostat, swimming pool water	
E9*	Electr. immersion heater, hot water	
E10*	Suppl. heating system (boiler or electr. heating element)	
F2	Load fuse for N1 relay outputs across J12 and J13	4.0 A slow
F3	Load fuse for N1 relay outputs across J15 to J18	4.0 A slow
F4	Pressostat high pressure	
F5	Pressostat low pressure limiter with manual reset	
F12	Thermostat N7	
F14	Electronic motor protection, compressor 1	
H5*	Lamp, remote fault indicator	
J1...J18	Terminal connector at N1	
K1	Contactor, compressor	
K5	Contactor, primary pump	
K1.1	Contactor, starting current limiter	
K1.2	Time-delay relay for delay of K1	
K11*	Electron. relay, remote fault indicator (relay module)	
K12*	Electron. relay, swimming pool circulating pump (relay module)	
K20*	Contactor, suppl. heating system (boiler or electr. heating element)	
K21*	Contactor, electr. immersion heater for hot water	
K22*	Utility company disable contactor	
K23*	SPR auxiliary contactor	
M1	Compressor	
M11*	Primary pump	
M13*	Heating circulating pump	
M15*	Heating circulating pump heating circuit 2	
M16*	Suppl. circulating pump	
M18*	Hot water circulating pump	
M19*	Swimming pool water circulating pump	
M21*	Mixer main circuit	
M22*	Mixer heating circuit 2	
N1	Heat pump controller	
N7	Soft start board	
N10*	Remote control station	
N11*	Relay module	
Q1	Power protection switch, brine pump	
Q2	Power protection switch, compressor	
R1	External sensor	
R2	Return sensor	
R3	Hot water sensor (as an alternative to hot water thermostat)	
R5	Sensor for heating circuit 2	
R6	Freeze protection sensor	
R7	Coding resistor 8k	
T1	Safety isolating transformer 230/24V AC-28V A	
X1	Terminal strip mains control L/N/PE-230V AC-50 Hz/fuses/N and PE-terminal block	
X2	Terminal strip 24V AC terminal block	
X3	Terminal strip GND terminal block for sensors R1/-2 and -3 at J2	
X4	Terminal strip GND terminal block for sensors R5 and -6 at J6	
X5	Terminal strip power supply 3 L/PE-400V AC-50 Hz	
Abbreviations:		
EVS	Utility company disable input	
SPR	Supplementary disable input	
MA	Mixer OPEN	
MZ	Mixer CLOSED	
* Components to be supplied by the customer		

Hydraulic Block Diagram



EC Declaration of Conformity



Declaration of Conformity



The undersigned

KKW Kulmbacher Klimageräte-Werk GmbH,
Division Dimplex
Am Goldenen Feld 18
D-95326 Kulmbach

hereby confirm that the design and construction of the product(s) listed below, in the version(s) placed on the market by us, conform to the relevant basic requirements of the applicable EC directives.

This declaration becomes invalidated if any modifications are made to the product(s) without our prior authorization.

Designation of the product(s):

EC Directives:

Brine-to-water heat pumps

for indoor installation with R407C

EC Low Voltage Directive

(73/23/EEC)

EC EMC Directive

(89/336/EEC)

Water-to-water heat pumps

for indoor installation with R407C

Pressure Equipment Directive

(97/23/EEC)

Type(s):

Harmonized EN Standards:

SI 5CS	EN 255:1997	
SI 7CS	EN 378:1994	
SI 9CS	DIN EN 60335-1 (VDE 0700 Teil1):1995-10	EN 60335-1:1994+A11:1995
SI 11CS	DIN EN 60335-1/A1 (VDE 0700 Teil1/A1):1997-08	EN 60335-1/A1:1996
SI 14CS	DIN EN 60335-1/A12 (VDE 0700 Teil 1/A12):1997-08	EN 60335-1/A12:1996
SI 17CS	DIN EN 60335-1/A13 (VDE 0700 Teil 1/A13):1998-12	EN 60335-1/A13:1998
SI 21CS	DIN EN 60335-1/A14 (VDE 0700 Teil 1/A14):1999-05	EN 60335-1/A14:1998
	DIN EN 60335-2-40 (VDE 0700 Teil 40):1998-07	EN 60335-2-40:1997
	DIN EN 55014-2 (VDE 0875 Teil 14-2):1997-10	EN 55014-2:1997
WI 9CS	Requirements of category II	
WI 14CS	DIN EN 55014-1 (VDE 0875 Teil 14-1):1999-10	EN 55014-1:1993+A1:1997+A2:1999
WI 22CS	DIN EN 61000-3-2 (VDE 0838 Teil 2):1998-10	EN 61000-3-2:1995+
WI 27CS		Corrigendum:1997+A1:1998+A2:1998
	DIN EN 61000-3-2/A14 (VDE 0838 Teil 2/A14):2001-01	EN 61000-3-2:1995/A14:2000
	DIN EN 61000-3-3 (VDE 0838 Teil 3):1996-03	EN 61000-3-3:1995

Order No.:

National Standard/Directives:

337 280	338 720
337 290	337 350
337 300	337 360
337 310	337 370
337 320	
337 330	
337 340	

<u>D</u>	<u>A</u>	<u>CH</u>
VBG20		SVTI

Wolfgang Weinhold
 General Manager

Mathias Huprich
 Technical Director

Kulmbach, 07.05.2002

Notes

Lined area for taking notes, consisting of multiple horizontal lines.

