

# WMX

Hybrid™ horn and reflex loaded subwoofer

## features

- ▶ Very high output compact Hybrid™ folded horn/reflex loaded subwoofer.
- ▶ Single 18" (460mm) ultra-long excursion high power drive unit
- ▶ Frequency response 35Hz-150Hz ± 3dB (-10dB @ 28Hz)
- ▶ 104dB 1W/1m
- ▶ Fast integral rigging system
- ▶ Compatible with W8LM and W8LMD line array elements
- ▶ Can be ground stacked or flown
- ▶ Socket for pole mounted W8LMD

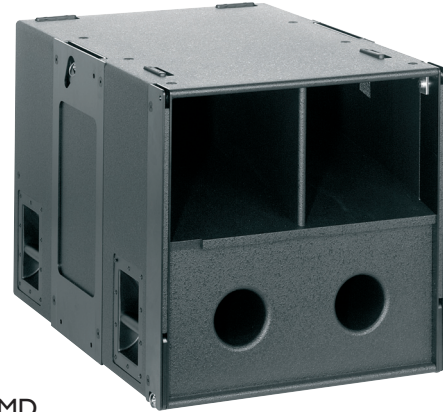
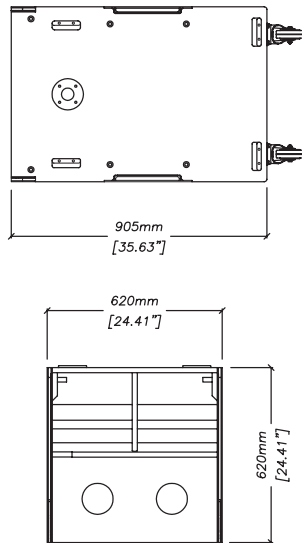
## applications

- ▶ Dedicated flown or groundstacked sub for use with W8LM and W8LMD
- ▶ Ground stacked sub with any Martin Audio Wavefront products
- ▶ Fixed installations
- ▶ Live sound reinforcement
- ▶ Corporate events
- ▶ Theatre sound reinforcement

The Martin Audio WMX is a compact, high performance flown or ground stacked subwoofer featuring our trademark Hybrid™ loading. Primarily intended for use with the W8LM/W8LMD, it shares the same cabinet width and is directly compatible with the W8LM and its flying hardware.

A single long-excursion 18" (460mm)/ 4" (100mm) coil driver is front loaded by a hyperbolic horn with an ultra-low flare rate. The rear of the driver is reflex loaded to extend the LF output to below the natural cut-off point of the horn. This Hybrid™ technique marries the very high efficiency of horn loading with the extended low frequency response of a reflex enclosure.

## overall dimensions



## technical specifications

TYPE	Hybrid™ horn and reflex loaded subwoofer
FREQUENCY RESPONSE (1)	35Hz-150Hz ± 3dB -10dB @ 28Hz
DRIVERS	18" (460mm)/ 4" (100mm) voice coil, ultra-long excursion, water resistant cone
RATED POWER (2)	1000W AES, 4000W peak
SENSITIVITY (6,3)	98dB (open space), 104dB (half space)
MAXIMUM SPL (calculated @ 1m)	127dB continuous, 133dB peak (open space) 133dB continuous, 139dB peak (half space)
NOMINAL IMPEDANCE	8 ohms
CROSSOVER	70Hz-150Hz active low pass (via DX1 controller)
ENCLOSURE	Rectangular, multi-laminate birch ply
FINISH	Textured paint
PROTECTIVE GRILLE	Perforated steel
CONNECTORS	2 x Neutrik NL8
FITTINGS	Proprietary rigging system Interlocking skids on top & bottom 2 generously sized bar handles on each side Mounting clips for optional lid Top mounted top hat fitting
DIMENSIONS (inc. wheels)	(W) 620mm x (H) 620mm x (D) 905mm (1032mm) (W) 24.4ins x (H) 24.4ins x (D) 35.6ins (40.6ins)
WEIGHT	87kg (191lbs)

Century Point, Halifax Road, Cressex Business Park,  
High Wycombe, Buckinghamshire HP12 3SL, England.  
Telephone: +44 (0)1494 535312 Facsimile: +44 (0)1494 438669  
E-mail: info@martin-audio.com  
All information is Copyright © 2006 Martin Audio Ltd.



[www.martin-audio.com](http://www.martin-audio.com)

touring and theatre