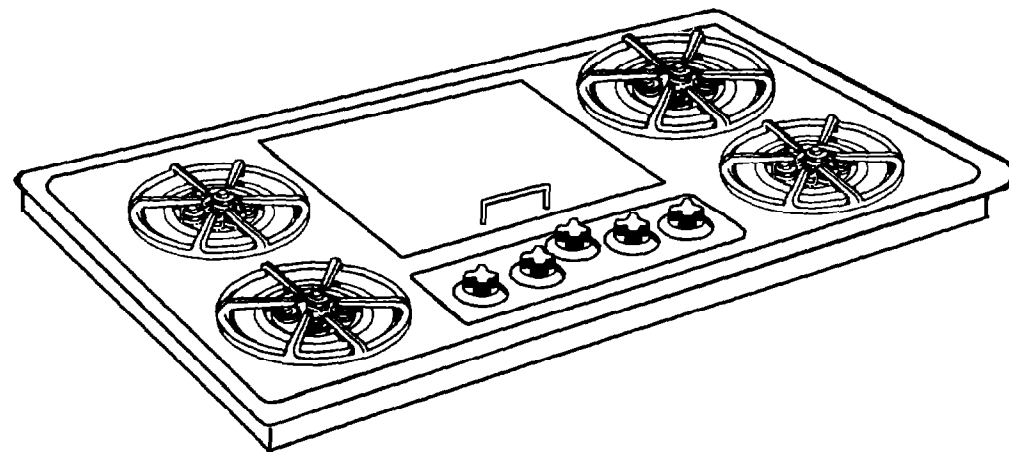
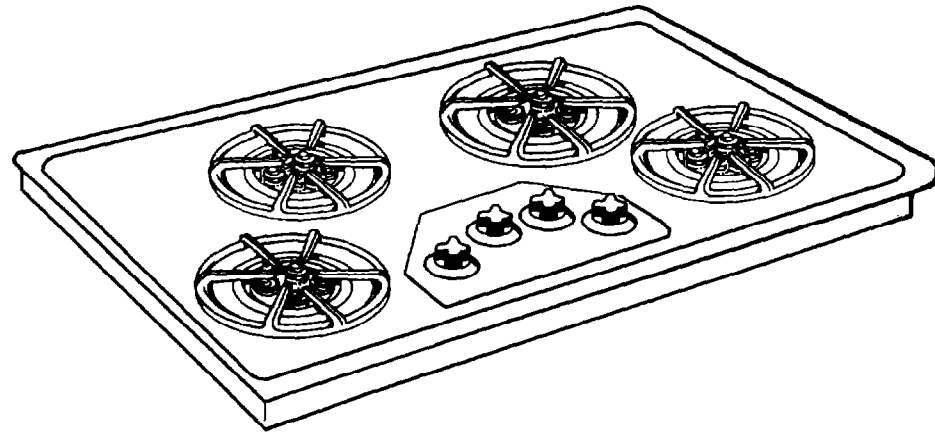


**KitchenAid**<sup>®</sup>  
HOME APPLIANCES

# Installation Instructions

30" (76.2 cm) and  
36" (91.4 cm)  
Gas Cooktops



**IMPORTANT:**  
Read and save these  
instructions.

**IMPORTANT:**

**Installer:** Leave Installation Instructions with the homeowner.

**Homeowner:** Keep Installation Instructions for future reference.

**Save** Installation Instructions for local electrical inspector's use.

Part No. 3189086 Rev. A

6-98

# Before you start...

**Proper installation** is your responsibility. Make sure you have everything necessary for correct installation. It is the responsibility of the installer to comply with the installation clearances specified on the model/serial rating plate. The model/serial rating plate can be found on the bottom of the cooktop.

**Check location** where cooktop will be installed. The location should be away from strong draft areas, such as windows, doors and strong heating vents or fans. The cooktop should be located for convenient use in the kitchen.

When installing a cooktop under existing cabinets and the installation does not meet the minimum cabinet clearances, install a range hood above the cooktop to avoid burn hazards.

ALL OPENINGS IN THE WALL OR FLOOR WHERE THE COOKTOP IS TO BE INSTALLED MUST BE SEALED.

**Do Not obstruct the flow of combustion and ventilation air.**

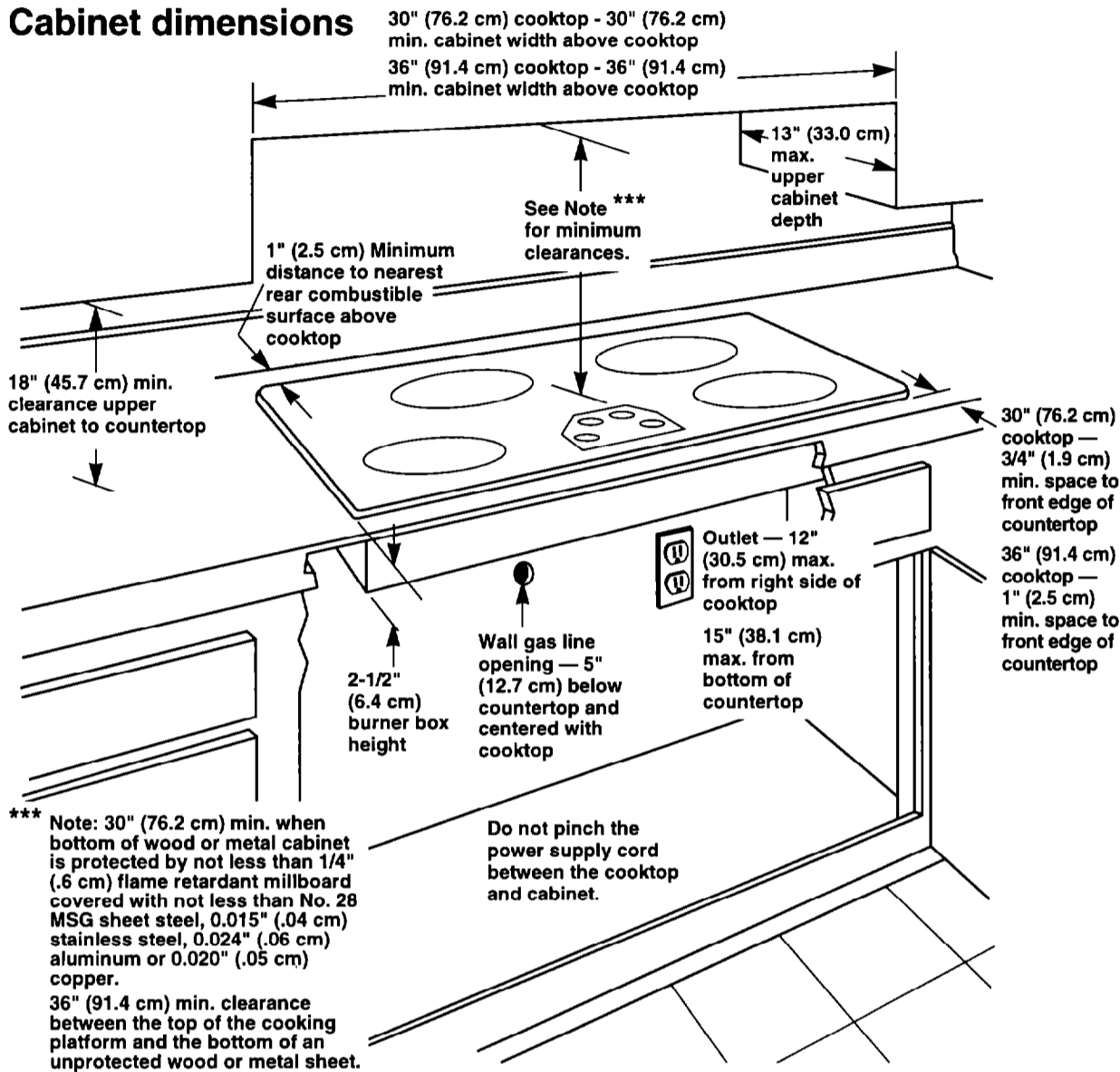
**Grounded electrical outlet** is required. See "Electrical requirements."

**Proper gas supply connection** must be available. See "Gas supply requirements."

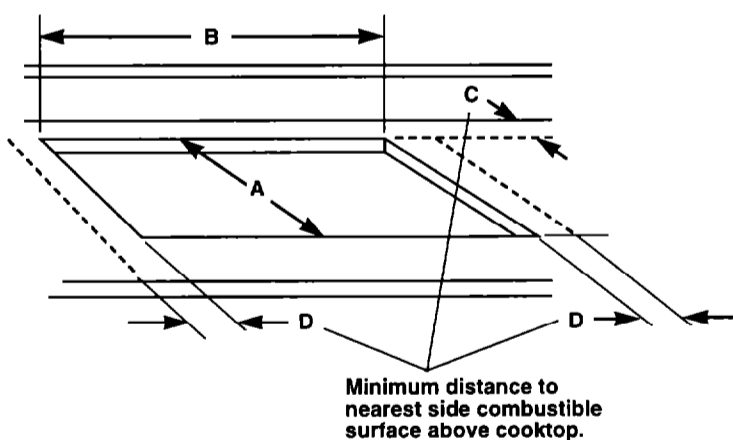
**Countertop opening dimensions** that are shown must be used. Given dimensions provide required 0" (0 cm) clearance.

**Important: Observe all governing codes and ordinances. Failure to meet codes and ordinances could lead to fire or electric shock.**

## Cabinet dimensions



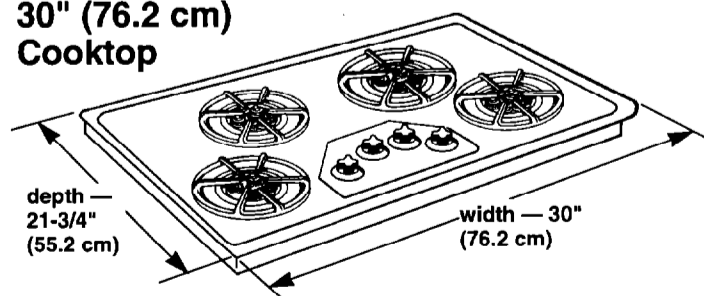
## Cutout dimensions



Cutout:	30" (76.2 cm)	36" (91.4 cm)
<b>A</b> depth	18-3/4" (47.6 cm) min.	18-3/4" (47.6 cm) min.
<b>B</b> width	26-1/2" (67.3 cm) min.	33" (83.8 cm) min.
<b>C</b> Minimum distance to nearest rear combustible surface above cooktop.	2-5/8" (6.7 cm) min.	2-5/8" (6.7 cm) min.
<b>D</b> Minimum distance to nearest side combustible surface above cooktop.	5-1/4" (13.3 cm) min.	5-1/4" (13.3 cm) min.

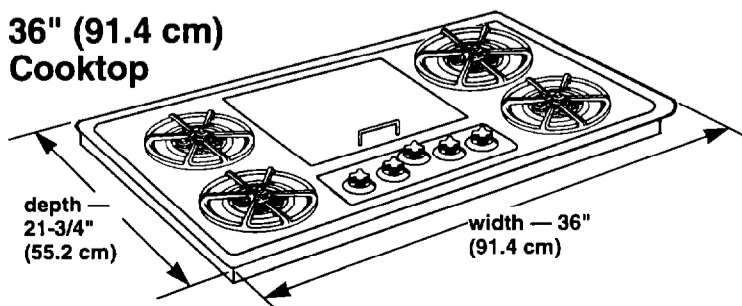
## Product dimensions

### 30" (76.2 cm) Cooktop



30" (76.2 cm) min. base cabinet is required. If cabinet has a drawer, a 3-1/2" (8.9 cm) depth clearance from the countertop to the top of the drawer (or other obstruction) in base cabinet is required.

### 36" (91.4 cm) Cooktop



36" (91.4 cm) min. base cabinet is required. If cabinet has a drawer, a 3-1/2" (8.9 cm) depth clearance from the countertop to the top of the drawer (or other obstruction) in base cabinet is required.

**Grill/griddle cooktop must be used with suitable vent hoods.**

## Panel A

**Your safety and the safety of others is very important.**

We have provided many important safety messages in this manual and on your appliance. Always read and obey all safety messages.



This is the safety alert symbol. This symbol alerts you to hazards that can kill or hurt you and others. All safety messages will be preceded by the safety alert symbol and the word "DANGER" or "WARNING". These words mean:

## DANGER

**You will be killed or seriously injured if you don't follow instructions.**

## WARNING

**You can be killed or seriously injured if you don't follow instructions.**

All safety messages will identify the hazard, tell you how to reduce the chance of injury, and tell you what can happen if the instructions are not followed.

**WARNING: If the information in this manual is not followed exactly, a fire or explosion may result causing property damage, personal injury or death.**

— Do not store or use gasoline or other flammable vapors and liquids in the vicinity of this or any other appliance.

— **WHAT TO DO IF YOU SMELL GAS**

- Do not try to light any appliance.
- Do not touch any electrical switch.
- Do not use any phone in your building.
- Immediately call your gas supplier from a neighbor's phone. Follow the gas supplier's instructions.
- If you cannot reach your gas supplier, call the fire department.

— Installation and service must be performed by a qualified installer, service agency or the gas supplier.

It is the customer's responsibility:

- To contact a qualified electrical installer.
- To assure that electrical installation is adequate and in conformance with National Electrical Code, ANSI/NFPA 70 — latest edition\* and all local codes and ordinances.

### Mobile home installation

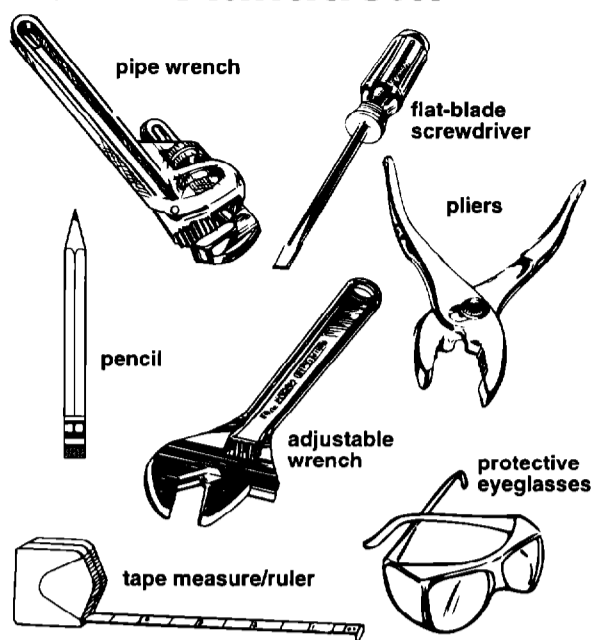
The installation of this cooktop must conform to the Manufactured Home Construction and Safety Standards, Title 24 CFR, Part 3280 (formerly the Federal Standard for Mobile Home Construction and Safety, Title 24, HUD Part 280); or when such standard is not applicable, the Standard for Manufactured Home Installation 1982 (Manufactured Home Sites, Communities and Setups), ANSI A225.1/NFPA 501A — 1987, or latest edition, or with local codes.

Copies of the standards listed may be obtained from:

\* National Fire Protection Association  
Batterymarch Park  
Quincy, Massachusetts 02269

\*\* American Gas Association  
1515 Wilson Boulevard  
Arlington, Virginia 22209

## Tools and materials needed for installation:



## Gas supply requirements

Observe all governing codes and ordinances.

### ⚠ WARNING



#### Explosion Hazard

Use a new AGA approved gas supply line.

Install a shut-off valve.

Securely tighten all gas connections.

If connected to LP, have a qualified person make sure gas pressure does not exceed 11" water column. Examples of a qualified person include licensed heating personnel, authorized gas company personnel, and authorized service personnel.

Failure to do so can result in death, explosion, or fire.

## A.

This installation must conform with local codes and ordinances. In the absence of local codes, installations must conform with American National Standard, National Fuel Gas Code ANSI Z223.1 — latest edition (See \*\*, Panel A.)

## B.

Input ratings shown on the model/serial rating plate are for elevations up to 2,000 feet (610 m). For elevations above 2,000 feet (610 m), ratings are reduced at a rate of 4% for each 1,000 feet (305 m) above sea level. (For the USA only.)

## C.

This cooktop is equipped for use with NATURAL gas. The model/serial rating plate, located on the bottom of the cooktop, has information on the type of gas that can be used. If this information does not agree with the type of gas available, see your KitchenAid dealer or authorized parts distributor.

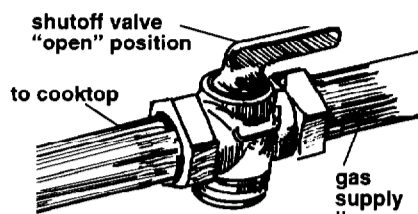
## D.

Provide a gas supply line of 3/4" (1.9 cm) rigid pipe to the cooktop location. A smaller size pipe on long runs may result in insufficient gas supply. Pipe-joint compounds, made for use with NATURAL and L.P. gas, must be used.

## E.



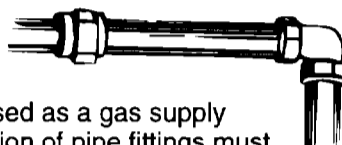
If local codes and ordinances permit, A.G.A. design-certified, flexible metal tubing is recommended for connecting this cooktop to the gas supply line. Do Not kink or damage the flexible tubing when moving the cooktop. A 3/8" (.95 cm) male pipe thread is needed for connection to pressure regulator female pipe threads.



## F.

The supply line shall be equipped with an approved shutoff valve. This valve should be located in the same room as the cooktop and should be in a location that allows ease of opening and closing. Do Not block access to shutoff valve. The valve is for turning on or shutting off gas to the appliance.

## G.



If rigid pipe is used as a gas supply line, a combination of pipe fittings must be used to obtain an in-line connection to the cooktop. All strains must be removed from the supply and fuel lines so cooktop will be level and in line.

## H.

The regulator must be checked at a minimum 1-inch (2.5 cm) water column above the set pressure. The inlet pressure to the regulator should be as follows for operation:

#### NATURAL GAS:

Set pressure — 6 inches (15.2 cm) W.C.

Supply pressure — 7 to 14 inches (17.8 cm to 35.5 cm) maximum W.C.

#### L.P. GAS:

Set pressure — 10 inches (25.4 cm) W.C.

Supply pressure — 11 inches (27.9 cm) W.C.

## I.

#### Line Pressure Testing:

**Testing above 1/2 psi (3.5kPa) (gauge) —** The cooktop and its individual shutoff valve must be disconnected from the gas supply piping system during any pressure testing of that system at test pressures greater than 1/2 psi (3.5 kPa).

**Testing at 1/2 psi (3.5kPa) (gauge) or lower —**

The cooktop must be isolated from the gas supply piping system by closing its individual manual shutoff valve during any pressure testing of the gas supply piping system at test pressures equal to or less than 1/2 psi (3.5 kPa).

## Electrical requirements

### ⚠ WARNING



#### Electrical Shock Hazard

Plug into a grounded 3-prong outlet.

Do not remove ground prong.

Do not use an adapter.

Failure to follow these instructions can result in death, fire, or electrical shock.

If codes permit and a separate ground wire is used, it is recommended that a qualified electrician determine that the ground path is adequate.

Check with a qualified electrician if you are not sure whether the cooktop is properly grounded.

Do Not ground to a gas pipe.

A 120-volt, 60-Hz, AC-only, 15-ampere for KGCS1005 models (20-ampere for KGCG2605 models), fused electrical supply is required. A time-delay fuse or circuit breaker is recommended. It is recommended that a separate circuit serving only this appliance be provided.

Electronic ignition systems operate within wide voltage limits, but proper grounding and polarity are necessary. In addition to checking that the outlet provides 120-volt power and is correctly grounded, the outlet must be checked by a qualified electrician to see if it is wired with correct polarity.

A wiring diagram is provided on the back cover of Installation Instructions.

The wiring diagram is also located on the underside of the cooktop control panel.

#### Recommended ground method

For your personal safety, this appliance must be grounded. This appliance is equipped with a 3-prong ground plug. To minimize possible shock hazard, the cord must be plugged into a mating 3-prong ground-type outlet, grounded in accordance with National Electrical Code, ANSI/NFPA 70 — latest edition (see\*, Panel A) and local codes and ordinances. See Figure 1. If a mating outlet is not available, it is the personal responsibility and obligation of the customer to have a properly grounded, 3-prong outlet installed by a qualified electrician.

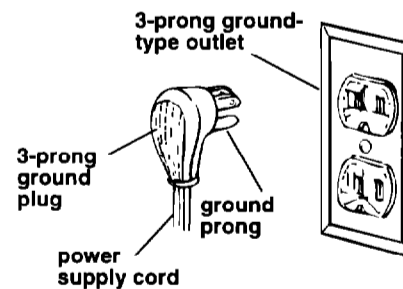
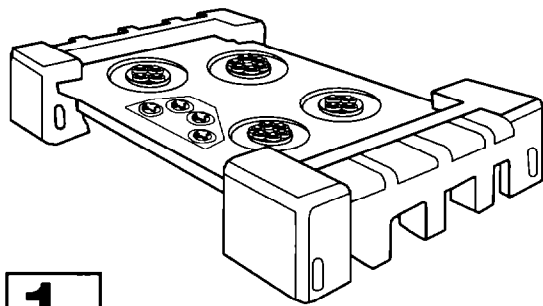


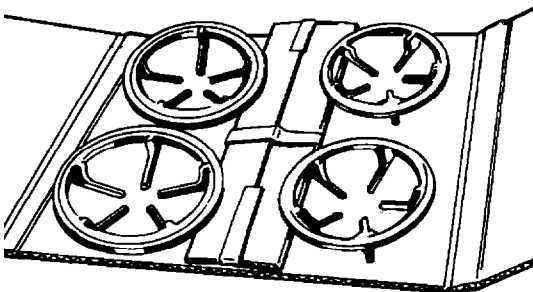
Figure 1

# Now start...

With cooktop in kitchen.



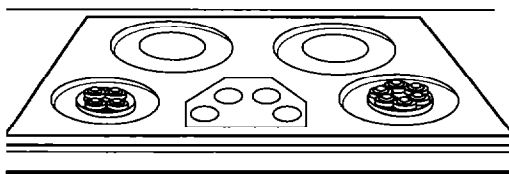
**1.** Remove shipping materials and tape from cooktop. Remove pressure regulator and hardware package from side of carton.



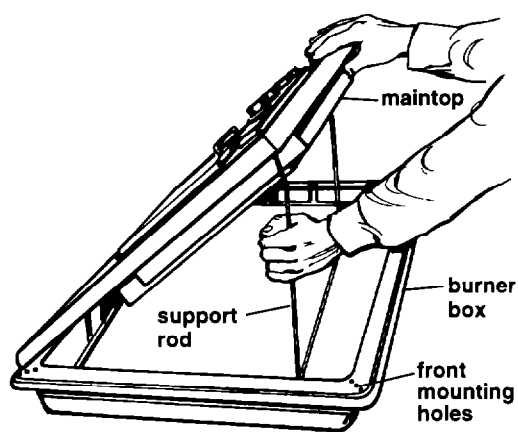
**2.** Remove cooktop and burner grates package from shipping box.

**3.** Remove plastic parts bag from inside cooktop. Remove parts from bag and line up next to your tools.

Lift entire cooktop up from cutout when repositioning cooktop in countertop opening.

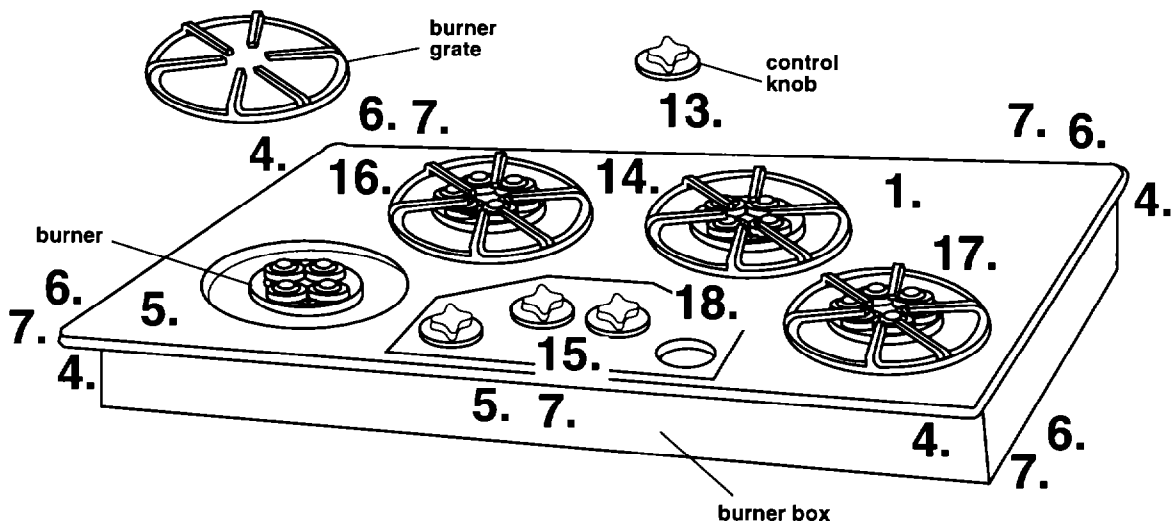


**4.** Lift up and pull out the two rear burner assemblies to remove them from the cooktop. Insert cooktop into the countertop opening. Center cooktop in cutout. Check that the front of the cooktop is parallel to the front edge of the countertop. Check that all required clearances are met.



**5.** Place a hand in each front burner opening and lift maintop. Support maintop by inserting the rod between the maintop and the burner box. Mark location of mounting holes on countertop. Remove cooktop from cutout.

Determine which mounting method you will use. Refer to Steps 6 and 7.

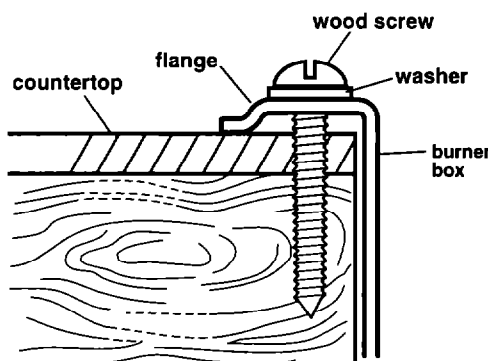


**6.** If the burner box will be screwed directly through the countertop:

**a.** Put on safety glasses. Drill holes in countertop according to your countertop type. **Note:** To drill holes in countertop types not listed, contact a qualified countertop installer.

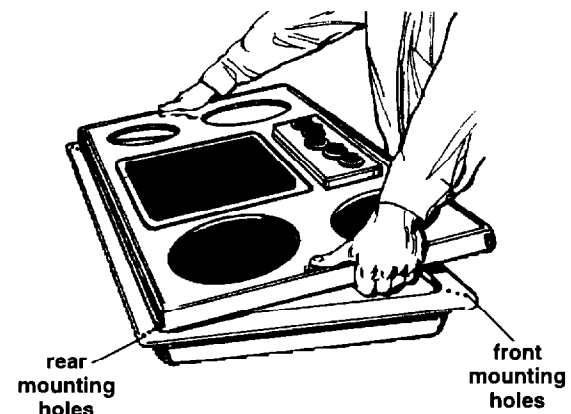
Countertop type:	Drill bit size:
Wood	3/32" (.24 cm) dia. or No. 42
Formica/steel on plywood	13/64" (.52 cm) dia. or No. 6
Steel only	0.1405" (.36 cm) dia. or No. 8-32 x 1/2" No. 1 slotted oval head thread cutting screws will be required (not supplied).

**b.** Insert cooktop into cutout and align mounting holes with the starter holes. Check that the front edge of cooktop is parallel to front edge of countertop.

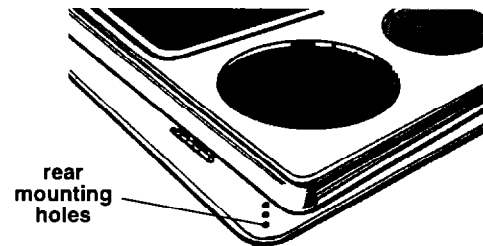


**c.** Remove four wood screws and washers from parts bag. Insert a wood screw through each washer. Fasten front of burner box using one screw and washer in each of the two front mounting holes that will best secure the cooktop to the countertop.

**Note:** Handtighten screws only until outer lip of burner box is snug to countertop. Overtightening may cause damage to cooktop.



**d.** Lift maintop slightly and release support rod. Pull maintop forward until hinges lock. Lower maintop.



**e.** Locate rear mounting holes. Fasten rear of burner box using one screw and washer in each of the two rear mounting holes that will best secure the cooktop to the countertop.

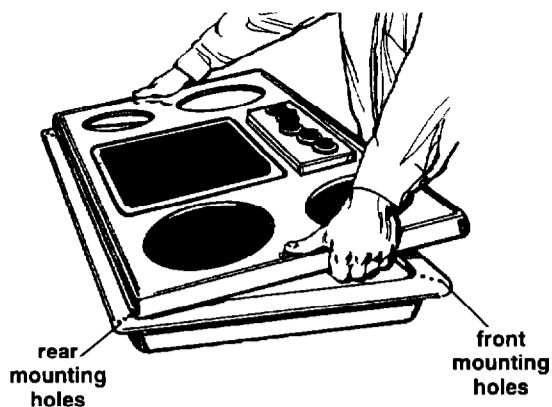
**Note:** Handtighten screws only until outer lip of burner box is snug to countertop. Overtightening may cause damage to cooktop.

**f.** Lift maintop slightly and push back, lowering maintop into proper position.

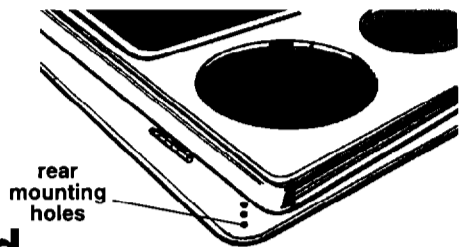
**7.** If cutout dimensions are too large or screws cannot be used with countertop material (such as ceramic):

**a.** Remove washers and bolts from parts bag. Place a grooved washer over each bolt with the grooved side of washer facing away from bolt head.

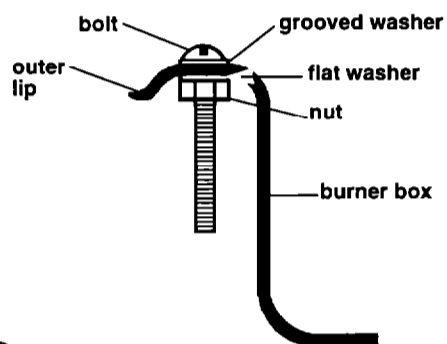
**b.** Place one bolt and washer into each of the outermost front mounting holes that can be used.



**C.** Lift maintop slightly and release support rod. Pull maintop forward until hinges lock. Lower maintop.

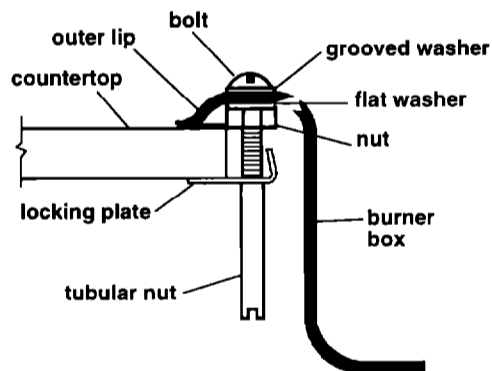


**d.** Locate rear mounting holes. Place one bolt and washer into each of the two outermost rear mounting holes that can be used. Remove cooktop from countertop cutout.

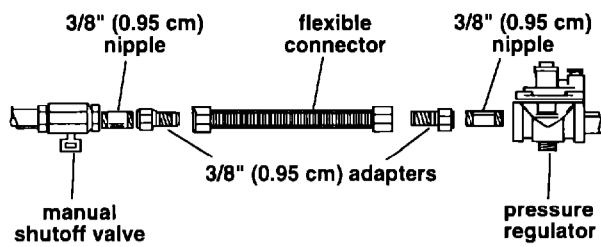


**e.** Lock each bolt and washer in place using a flat washer and hex nut on the bottom side of the burner box flange.

**f.** Reset cooktop in countertop opening. Center the burner box in the cutout. Check that front edge of burner box is parallel to edge of countertop.



**g.** Working below the countertop, slide a locking plate over the lower end of each bolt. Fasten each bolt in place with a tubular nut. The locking plate must make contact with as much of the countertop as possible. Tighten each tubular nut by hand until outer lip of burner box is snug to countertop. **Do Not overtighten** to prevent damage to countertop.

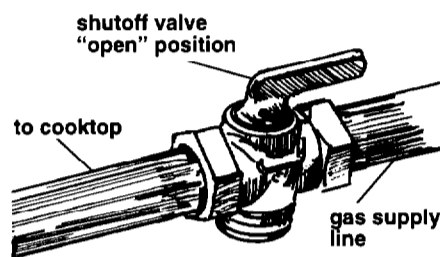


All connections must be wrench-tightened.

**8.** Assemble the flexible connector from the gas supply pipe to the pressure regulator in order: manual shutoff valve, 3/8" (0.95 cm) nipple, 3/8" (0.95 cm) adapter, flexible connector, 3/8" (0.95 cm) adapter, and 3/8" (0.95 cm) nipple.

**9.** Replace the 2 rear burner assemblies.

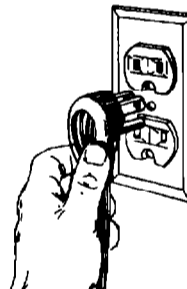
**10.** Use pipe-joint compound made for use with L.P. gas to seal all gas connections. If flexible connectors are used, be certain connectors are not kinked.



**11.** Open the shutoff valve in the gas supply line. Wait a few minutes for gas to move through the gas line.

**12.** Use a brush and liquid detergent to test all gas connections for leaks. Bubbles around connections will indicate a leak. If a leak appears, shut off gas valve controls and adjust connections. Then check connections again. **NEVER TEST FOR GAS LEAKS WITH A MATCH OR OTHER FLAME.** Clean all detergent solution from cooktop.

**13.** Plug the power supply cord into the grounded outlet.



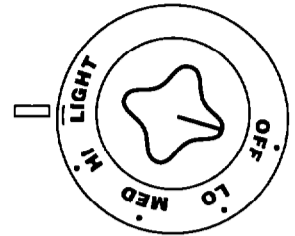
**14.** Align notch in each drip bowl with hole in cooktop. Insert pin located in the bottom of each burner grate in hole in cooktop. Burner grate should sit level on drip bowl.

Place control knobs on valve stems.

**If your cooktop has a griddle,** place flavor-generator insert in bottom of drip pan. Place grill, griddle and cover on top of drip pan. Insert drip pan into cooktop.

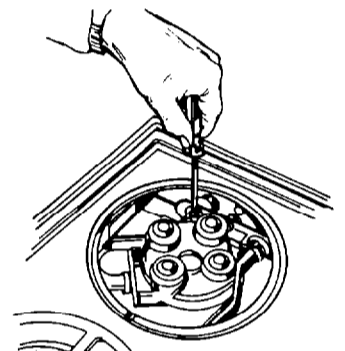
## Electronic Ignition System — Initial lighting

Cooktop burners use electronic igniters in place of standing pilots. When the cooktop control knob is turned to the "HI" position, the system creates a spark to light the burner. This sparking continues until the burner lights.



**15.** Check the operation of the cooktop burners. Push in and turn each control knob to "LIGHT" position. The flame should light within 4 seconds. **Do Not leave the knob in the "LIGHT" position after burner lights.**

**16.** After burner lights, turn control knob to "HI" position. Check each cooktop burner for proper flame. The small inner cone should have a very distinct blue flame 1/4" (.64 cm) to 1/2" (1.3 cm) long. The outer cone is not as distinct as the inner cone.



**17.** If burners need adjusting for proper flame, lift maintop and support with support rod. Adjust the air shutter to the widest opening that will not cause the flame to lift or blow off of the burner. Repeat as necessary with each burner.

**18.** Push in and turn each control knob to the "LIGHT" position and then to the "LO" position. The low flame should be a minimum, steady, blue flame approximately 1/8" (3 mm) long. To adjust the burner, remove the control knob and turn the adjustment screw in the center of the valve stem. Check the adjustment by running the control knob from "HI" to "LO" several times. The burner is properly adjusted when the low flame remains steady and the burner does not go out. Check each burner.

**To get the most efficient use from your new cooktop, read your KitchenAid Use and Care Guide. Keep Installation Instructions and Guide close to cooktop for easy reference.**

## L.P. gas conversion

Converting to L.P. gas should be done by a qualified installer.

### ⚠ WARNING

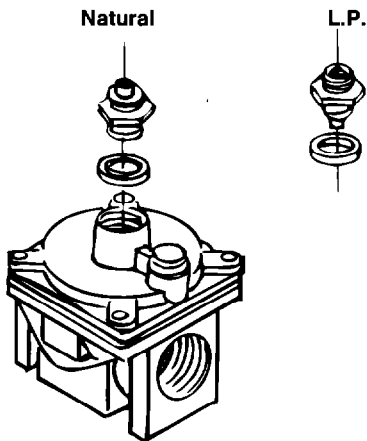


#### Fire Hazard

Shut off gas supply line valve.

Make all conversions before turning gas supply valve back on.

Failure to follow these instructions can result in explosion, fire or other injury.



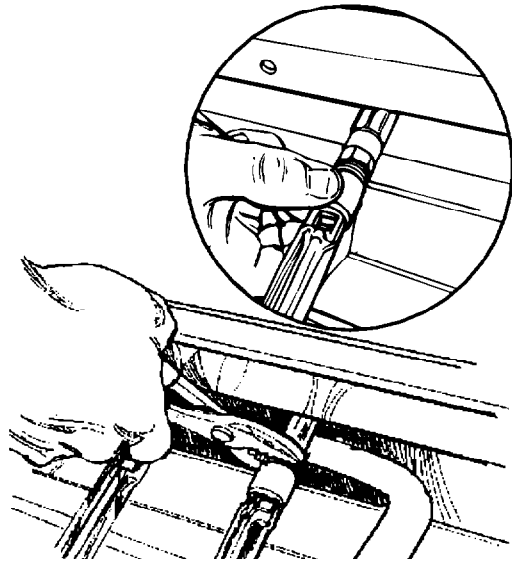
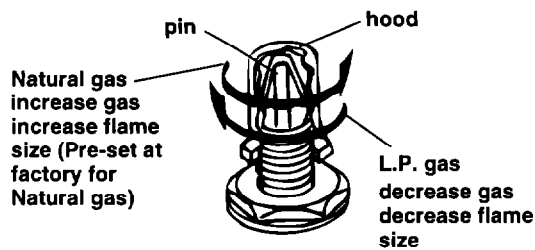
**A.** Complete installation instructions, Steps 1 - 9 before converting your cooktop to L.P. gas.

#### Pressure regulator:

Use a wrench to unscrew the cap from the top by turning counterclockwise. Turn the cap over so the hole end is up. "L.P." and "10" W.C." should be visible on face of cap.

Replace the cap and gasket on the regulator.

**DO NOT REMOVE THE PRESSURE REGULATOR.**



**B.** Turn the orifice hoods down until snug against pin (approximately 2 to 2-1/2 turns). **DO NOT OVERTIGHTEN.** The burner flames cannot be properly adjusted if this conversion is not made.

**C.** After all the burners have been converted to L.P. gas usage, complete Steps 10 - 13, Panel D.

#### Adjusting for proper flame

Adjust the air shutters for proper flame by sliding the air shutter to close or open the shutter as needed. See Panel D, Steps 14-17. L.P. gas has a slightly yellow tip on top of burner flames in addition to the other proper characteristics.

Panel E

## Natural gas conversion

Converting to Natural gas should be done by a qualified installer.

### ⚠ WARNING

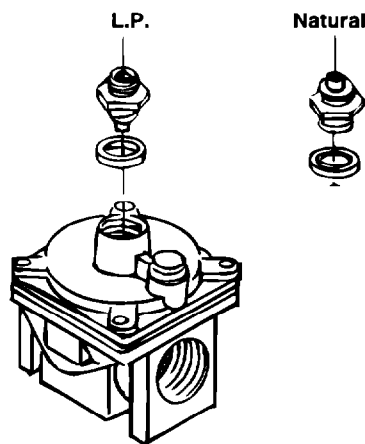


#### Fire Hazard

Shut off gas supply line valve.

Make all conversions before turning gas supply valve back on.

Failure to follow these instructions can result in explosion, fire or other injury.



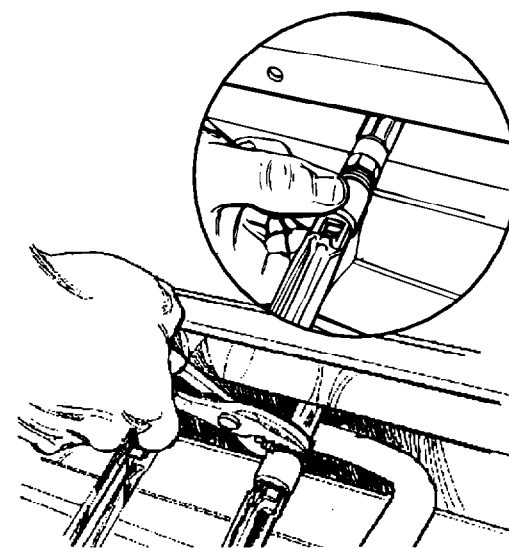
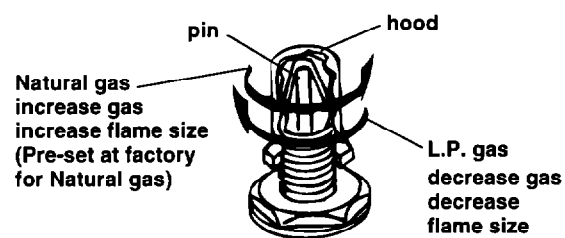
**A.** Shut off main gas supply line valve and disconnect power supply cord before converting your cooktop to Natural gas.

#### Pressure regulator:

Use a wrench to unscrew the cap from the top by turning counterclockwise. Turn the cap over so the hole end is down. "Nat." and "6" W.C." should be visible on face of cap.

Replace the cap and gasket on the regulator.

**DO NOT REMOVE THE PRESSURE REGULATOR.**



**B.** Loosen the orifice hoods away from pins 2 to 2-1/2 turns. The burner flames cannot be properly adjusted if this conversion is not made.

**C.** After all the burners have been converted to Natural gas, complete Steps 10 - 13, Panel D.

#### Adjusting for proper flame

Adjust the air shutters for proper flame by sliding the air shutter to close or open the shutter as needed. See Panel D, Steps 14-17. Natural gas does not have a yellow tip to flame.

## If cooktop does not operate...

- Check that the circuit breaker is not tripped or house fuse blown.
- Check that power supply cord is plugged into outlet.
- Check that the gas valve is turned to the "ON" position.
- A more detailed troubleshooting checklist is provided in the Use and Care Guide.

**NOTE:**  
Refer to Use and Care Guide for operating instructions and cleaning instructions.

## If you need assistance...

The KitchenAid Consumer Assistance Center will answer any questions about operating or maintaining your cooktop not covered in the Installation Instructions. The KitchenAid Consumer Assistance Center is open 24 hours a day, 7 days a week. Just dial (800) 422-1230 — the call is free.

When you call, you will need the cooktop model number and serial number. Both numbers can be found on the model/serial rating plate located on the bottom of the cooktop.

## If you need service...

In the event that your KitchenAid appliance should need service, call the dealer from whom you purchased the appliance or a KitchenAid-authorized service company. A KitchenAid-authorized service company is listed in the Yellow Pages of your telephone directory under "Appliances — Household — Major — Service and Repair." You can also obtain the service company's name and telephone number by dialing, free, within the continental United States, the KitchenAid Consumer Assistance Center telephone number, (800) 422-1230. A special operator will tell you the name and number of your nearest KitchenAid-authorized service company.

Maintain the quality built into your KitchenAid appliance — call a KitchenAid-authorized service company.

## Care, cleaning and maintenance

If removing the cooktop is necessary for cleaning or maintenance, shut off gas supply. Disconnect the gas and electrical supply. Remove the mounting screws or bolts from the front and rear corners of the burner box (see Panels C and D). Lift cooktop out of countertop to complete cleaning or maintenance.

Reinstall cooktop in countertop and secure with mounting screws or bolts. Check that front edge of cooktop is parallel to front edge of countertop. Connect gas and electrical supplies. Check gas connection for leaks as described in installation steps, Panel D.

## Wiring diagrams

