

P7E™
Powered Wheelchair



Parts Catalog Usage Guide

The information contained in this document is subject to change without notice. This catalog contains service parts for Form No. 95-167. If you have any questions regarding this catalog, please contact one of our Customer Service Representatives.

For Customer Service Support Call:

1-800-333-6900

For Faxed In Orders Call:

1-800-678-4682 or

1-440-366-0709

For Technical Service Call:

1-800-832-4707

Literature Can Be Found at:

www.invacare.com or

1-800-828-6272

SYMBOL DEFINITION

Throughout this catalog you will notice letters to draw your attention to specific footnotes which are located at the bottom of the page or below specified charts.

Examples:

A,B,C etc. = Special Comments

NOTE: = General information pertaining to that specific page

NLA = No Longer Available

HARDWARE MEASUREMENTS

The measurements for the hardware will be listed as follows:

Screws, Bolts Diameter X Thread Count/Pitch X Length

Washers Inside Diameter X Outside Diameter X Thickness

Spacers Inside Diameter X Outside Diameter X Length

For your convenience, we have supplied an area for you to list your Invacare Representatives.

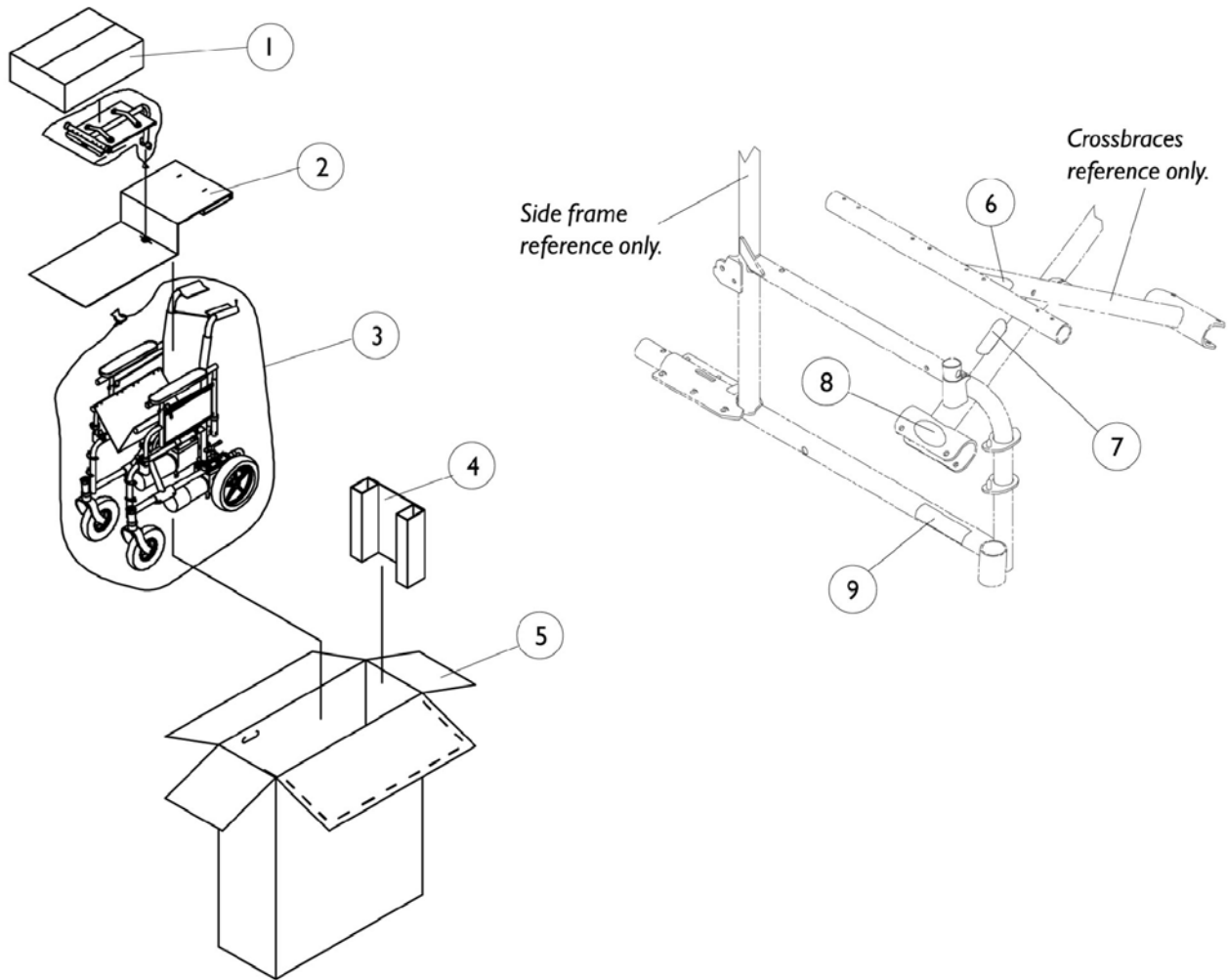
Name	Phone Numbers

©2008 Invacare Corporation. Elyria, Ohio. Invacare, Yes, you can., and the Medallion Design are registered trademarks and P7E and MKIV are trademarks of Invacare Corporation. Bussman is a registered trademark of Cooper Industries. MIDI is a registered trademark of Littelfuse Inc., Dynamic is a registered trademark of Dynamic Controls Limited.

TABLE of CONTENTS

Description	Page Number
Accessories - Power Wheelchair Tool Kit	43
Accessories, Headrest Extension, Upholstery and Hardware	12
Accessories, Miscellaneous	42
Arms, Adjustable Height	16
Arms, Fixed Height	14
Battery Boxes, Chargers, Harnesses, and Trays	26
Caster and Forks	18
Crossbraces, Hardware and Seat Extensions	8
Electronics - INT. Controller	40
Electronics - MKIV RII Joystick, Controller	37
Frame Finishes, Touch-Up Paints and Upholstery Color	5
Frames, Back Canes and Hardware	6
Front Rigging - Footrest - P93	29
Front Rigging - Footrest - PW93	31
Front Rigging - Legrest - P904A/T934A	33
Front Rigging - Pivot/Slide Tube and Footplate - P904 and T934A	36
Motor Gearbox Assembly	24
Packaging, Literature and Decals	3
Upholstery, Back and Seat	10
Wheel Locks	22
Wheels, Rear	20

Packaging, Literature and Decals



Packaging, Literature and Decals

Item Number	Note	Part Number	Description	Quantity Per	
				Package	Assembly
1		40131X011	Carton, Front Riggings	1	1
2		1023166-NLA	Insert	1	1
3		1015592	Bag, Poly (72" L x 35" W x 19" D)	1	1
4		1023165	Insert	1	1
5		1074355	Carton	1	1
6		1035900	Decal, Transportation	1	1
7		60103X013-NLA	Name Plate, Patent Numbers	1	1
8	B	1090146	Decal, Invacare 3-D Logo (1-19/32" L)	1	2
9	B	1095219	Decal, P7E	1	2
	A	1065145-NLA	Decal, Virtual Service	1	2
	A	1095273-NLA	Manual, Instruction MKIV RII LP	1	1
	A	1061807-NLA	Owner's Manual	1	1

NOTE: A - Not Shown
 B - Invacare logo added and model decal changed 1/11/2000. When replacing frames or crossbraces before 1/11/2000 order decals in pairs to match.

Frame Finishes, Touch-Up Paints and Upholstery Color

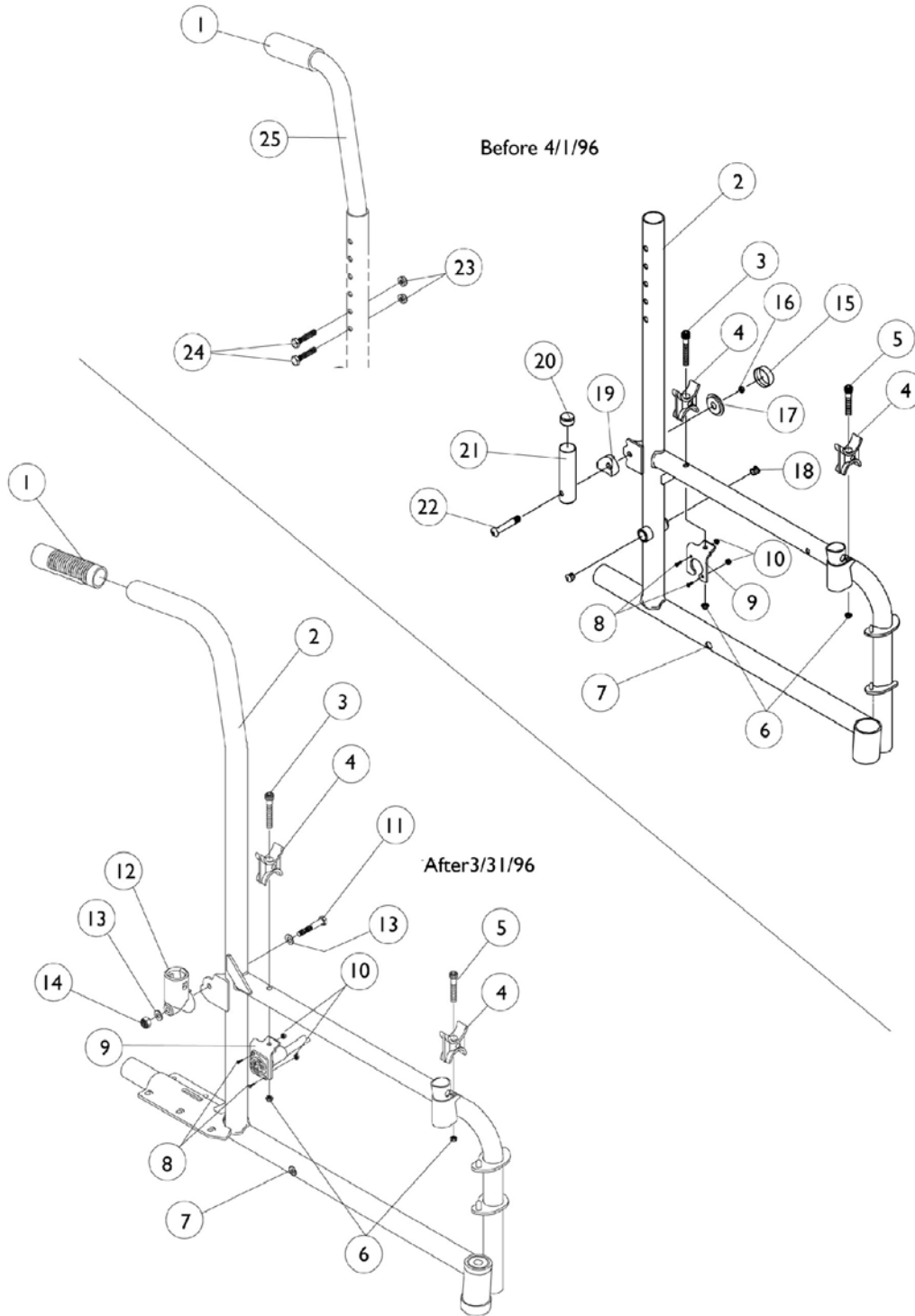
Frame Finishes and Touch-Up Paints

Part Number	Description	Bottle Size
1031450	Paint, Touch-Up, 24P Wet Black	.6 oz
1046327	Paint, Touch-Up, 34P Flat Black	.6 oz
1046321	Paint, Touch-Up, 61P Electric Red	.6 oz
1046320	Paint, Touch-Up, 62P Electric Blue	.6 oz
1101320-NLA	Paint, Touch-Up, 69P Teflon Black	.6 oz
1073892	Paint, Touch-Up, 80P Evergreen w/ Navy	.6 oz
1101325	Paint, Touch-Up, 101P Jeweled Green	.6 oz

Upholstery Color

U05 Black Lightweight Vinyl

Frames, Back Canes and Hardware

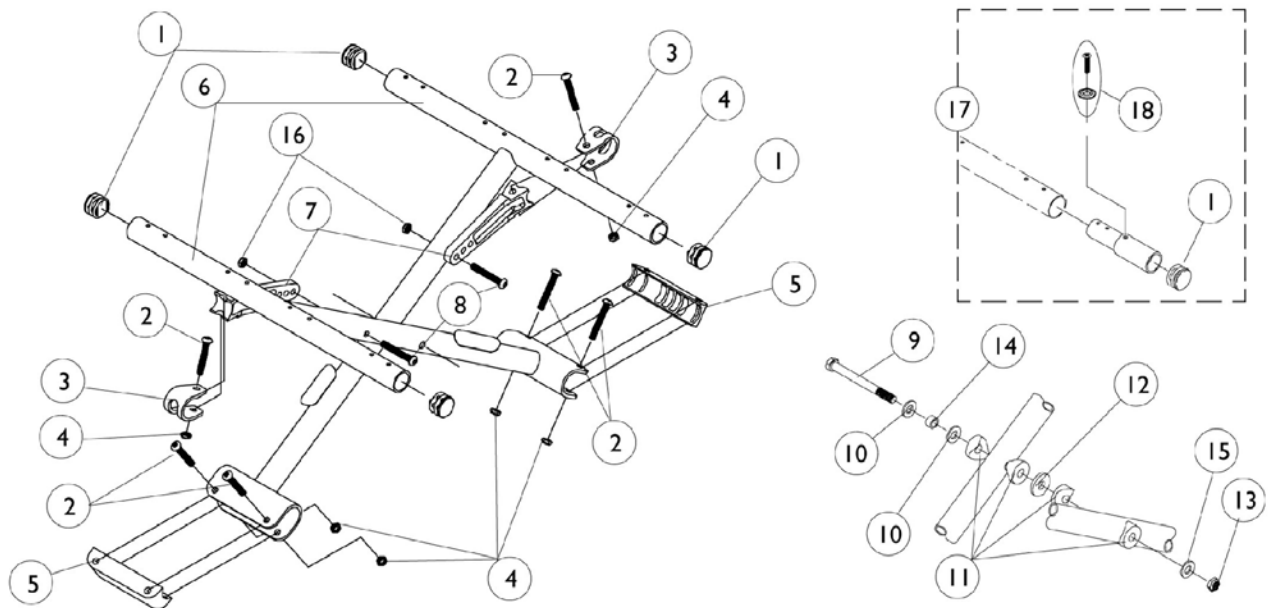


Frames, Back Canes and Hardware

Item Number	Note	Part Number	Description	Quantity Per	
				Package	Assembly
1	C	1006229	Grip, Foam (8")	1	1
1	D	1021261	Hand Grip 6"	1	1
2	A,B,C	8881039395-NL A	Frame, Right	1	1
2	A,B,C	8881039396-NL A	Frame, Left	1	1
2	A,B,D	8881061512	Frame, Right	1	1
2	A,B,D	8881061513	Frame, Left	1	1
3		1003424	Screw, Socket Head (1/4-20 x 1-3/4")	1	1
4		1015390	Seat Guide	1	1
5		1004170	Screw, Socket Head (1/4-20 x 1-1/2")	1	1
6		7930333	Locknut (1/4-20)	25	1
7		1058520	Fastener, Panel Snap-In	1	1
8		7930318	Screw, Phillips Pan Head (#4-40 x 1/2")	25	1
9		1053837	Bracket, Charger Connector	1	1
10		P0870X000	Nut, Hex Keps (#4-40)	1	2
11		1055298	Screw, Hex Head (1/4-28 x 1-5/8")	1	1
12		1056406	Cup, Socket Pivot	1	1
13		1026907	Washer (1/4 x 1/2 x 1/16")	1	4
14		7930334	Locknut (1/4-28)	25	1
15		1016291	Hub Cap, Black	1	1
16		7930364	Package, Locknut (1/4-20)	25	1
17		1016290	Caplugs Washer (9/32 x 1 x 3/32")	1	1
18		1027097	Plug Button, Black (3/4")	1	2
19		1015426	Spacer, Coved Cam - Right	1	1
19		1015427	Spacer, Coved Cam - Left	1	1
20		1023975	Bushing (3/8 x 3/4 x 3/8")	1	1
21		1015856	Socket, Armrest	1	1
22		1023968	Screw, Socket Button Head (1/4-20 x 1-7/16")	1	1
23		7930323	Package, Locknut (1/4-20)	25	1
24		1057955	Screw, Hex Head (1/4-20 x 1-1/4")	1	4
25		1028372	Back Cane Assembly - 10 Degree Bend	1	2

NOTE: A - Specify frame color.
 B - Decals not included with frame.
 C - Before 4/1/96
 D - After 3/31/96

Crossbraces, Hardware and Seat Extensions



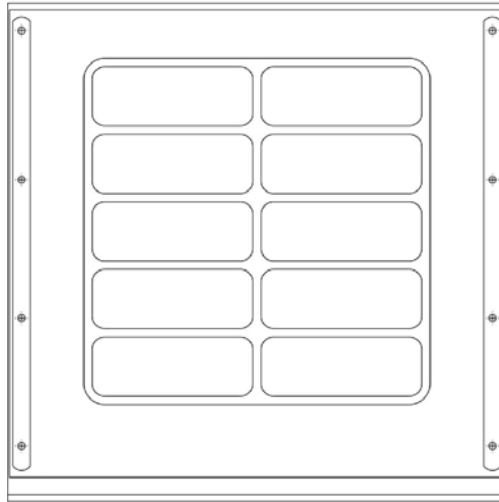
Crossbraces, Hardware and Seat Extensions

Item Number	Note	Part Number	Description	Quantity Per	
				Package	Assembly
1		1029501	Plug Button, Black (1")	1	4
2		1030949	Screw, Hex Head (1/4-20 x 1-1/2")	1	4
3		1012180	Bracket, Pivot	1	2
4		7930323	Package, Locknut (1/4-20)	25	1
5		1012172	Clamp, Saddle	1	2
6	A,B	1016252	Crossbrace, 16" Wide	1	2
6	A,B	1016253	Crossbrace, 18" Wide	1	2
6	A,C	1061299	Crossbrace, 16" Wide	1	2
6	A,C	1061300	Crossbrace, 18" Wide	1	2
7	D	1014666	Pivot Link	1	2
7	E	1014668	Pivot Link	1	2
8		1024793	Screw, Hex Head (1/4-20 x 1-3/4")	1	2
9		1098625	Screw, Hex Head (5/16-24 x 3-1/2")	1	1
10		16308X000	Washer, Flat (5/16 x 11/16 x 1/16")	1	2
11		1016263	Spacer, Coved (3/4 x 1 x 1/2")	1	4
12		7930313	Washer, Nylon (5/16 x 7/8 x 1/8")	25	1
13		7930330	Locknut (5/16-24)	25	1
14		1037913	Bushing (5/16 x 7/16 x 9/32")	1	1
15		1025704	Washer, Flat (5/16 x 5/8 x 1/16")	1	1
16		7930333	Locknut (1/4-20)	25	1
17		1058616	Seat Extension Kit - 1" (Pair)	2	1
17		1058617	Seat Extension Kit - 2" (Pair)	2	1
18		1026298	Screws with Washers (#10 x 7/8")	2	1
18		1076284	Screw w/ washer (#10 x 7/8")	1	2
NOTE: A - Decals not included with crossbraces. B - Before 4/1/96 C - After 3/31/96 D - 14-16" wide E - 17-19" wide					

Upholstery

Back and Seat

NOTE: For headrest extension upholstery, see titled page under accessories "Headrest Extension, Upholstery and Hardware"



Seat and Back Upholstery
- Vinyl

Seat Upholstery

Seat Width	Depth 16"	Depth 17"	Depth 18"
16" W	8881016920	8881020690	8881023360
18" W	8881016918	8881020691	8881023359

Specify upholstery color when ordering. See Frame Finishes, Touch-Up Paints and Upholstery Color page.

Back Upholstery

Back Width	Back Height 16"
16" W	8881017856
18" W	8881016582

Specify upholstery color when ordering. See Frame Finishes, Touch-Up Paints and Upholstery Color page.

Upholstery

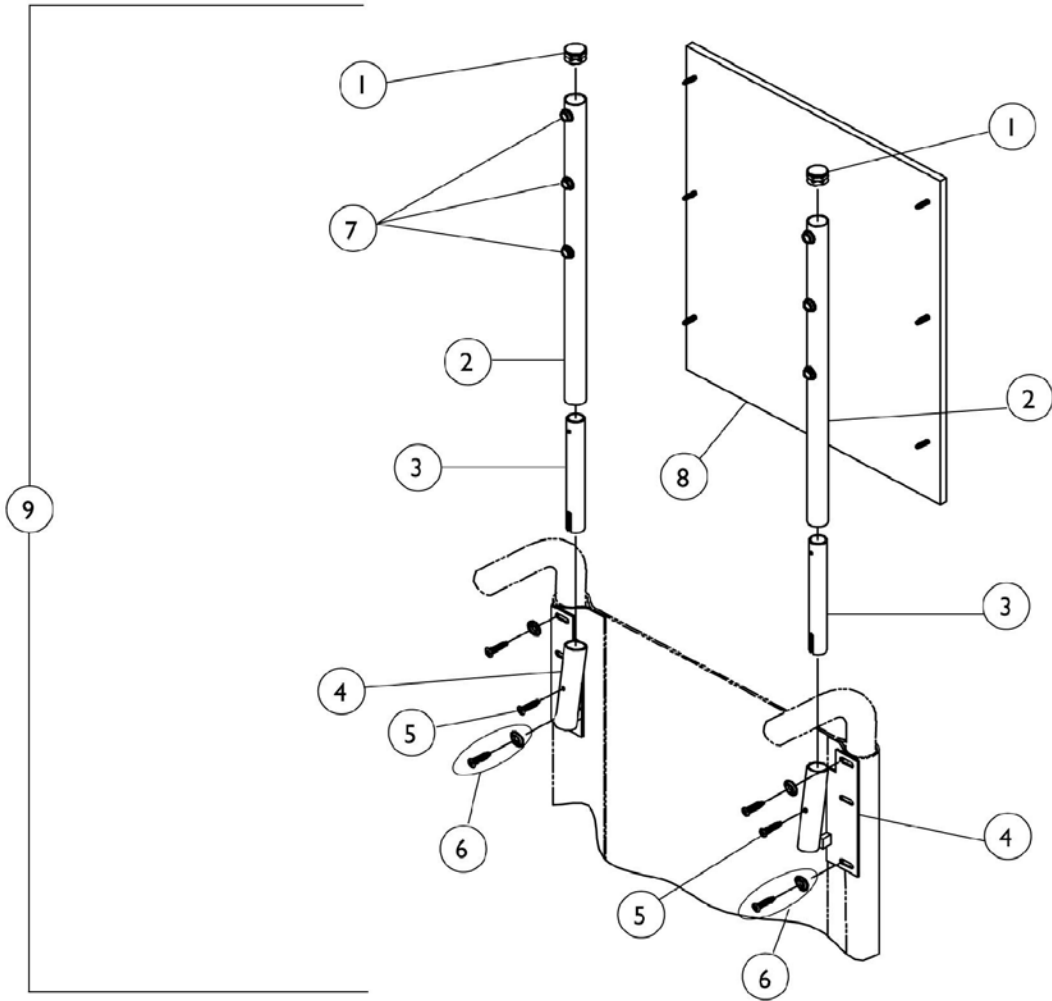
Back and Seat

NOTE: For headrest extension upholstery, see titled page under accessories "Headrest Extension, Upholstery and Hardware"

Hardware

Back and Seat Upholstery Hardware	Part Number
Consists of: 8 ea. Screw with Washer (10 x 7/8")	1027057

Headrest Extension, Upholstery and Hardware

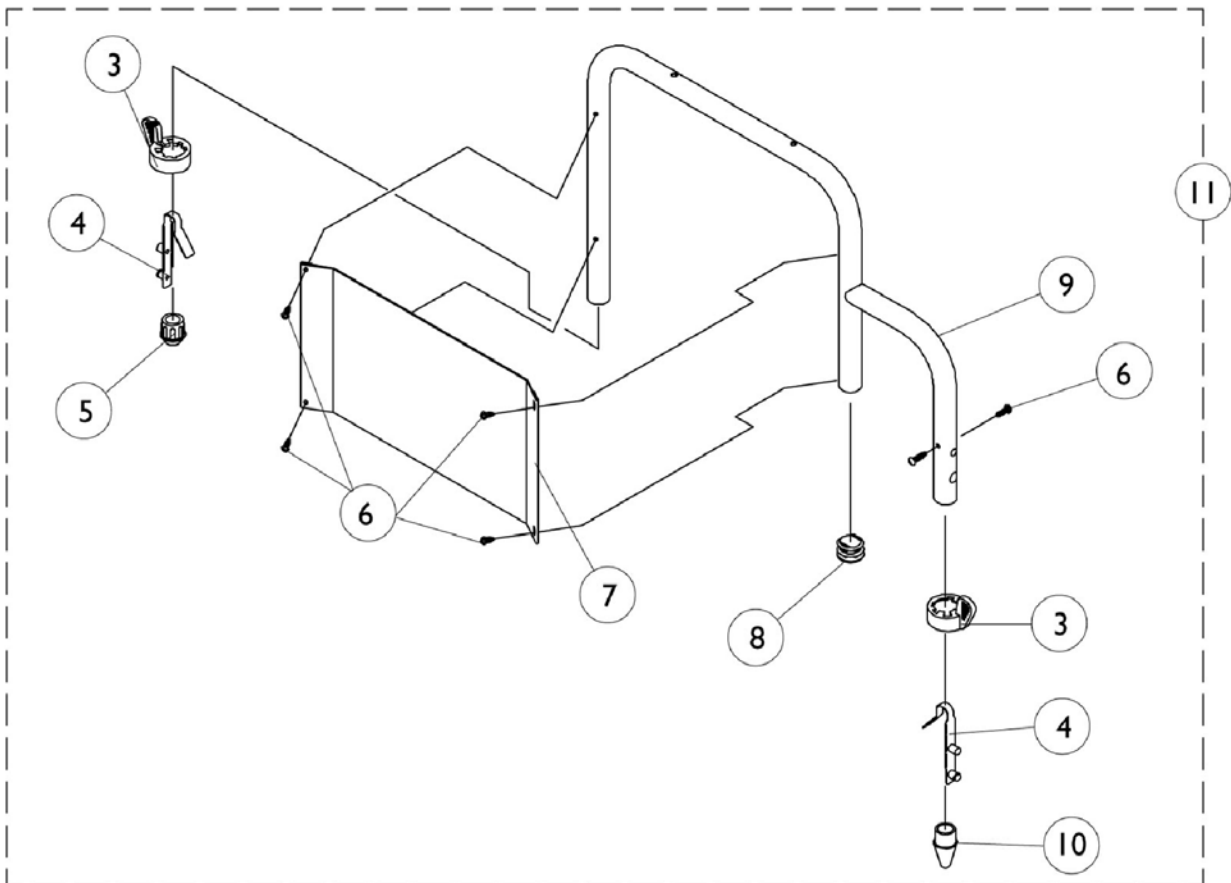
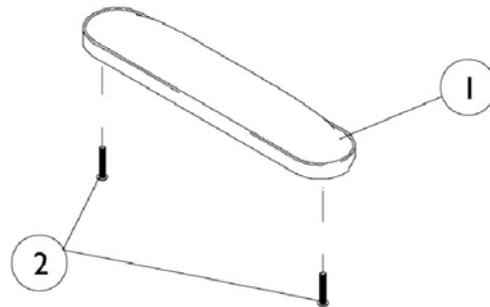


Headrest Extension, Upholstery and Hardware

Item Number	Note	Part Number	Description	Quantity Per	
				Package	Assembly
1		1027095	Plug Button, Black (7/8")	1	2
2		1054605	Tube, Headrest Extension	1	2
3		1028756	Tube, Insert	1	2
4		1028752	Bracket, Headrest, Right	1	2
4		1028753	Bracket, Headrest, Left	1	2
5		1028484	Screw, Phillips Pan Head Tap (#10-32 x 1/2")	1	2
6		1031095	Screws with Washers (#10-16 x 7/8")	4	1
6		1076284	Screw w/ washer (#10 x 7/8")	1	4
7		47447X009	Screw, Phillips (#8 x 3/8")	1	6
8	A	8881052588	Headrest Upholstery - Nylon 16" W	1	1
8	A	8881052590	Headrest Upholstery - Nylon 18" W	1	1
9	A,B	8881052778	Headrest Extension Assembly - Nylon 16" W	1	1
9	A,B	8881052780	Headrest Extension Assembly - Nylon 18" W	1	1

NOTE: A - Specify upholstery color U240 when ordering.
 B - Includes items 1-8

Fixed Height Arms and Hardware

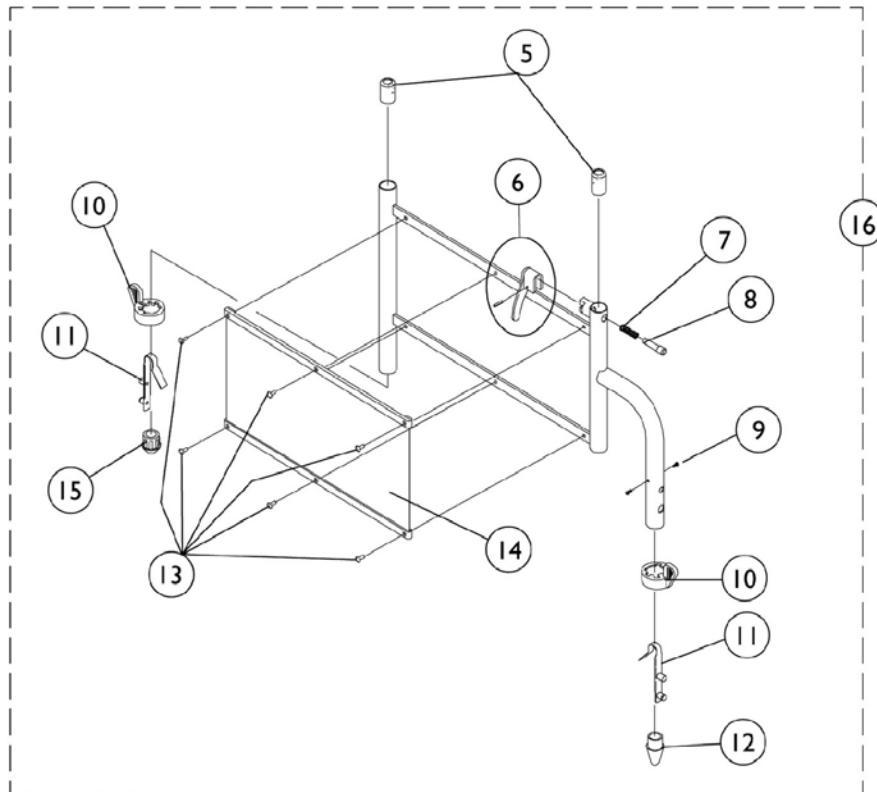
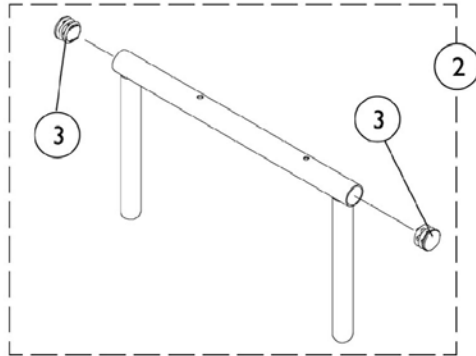
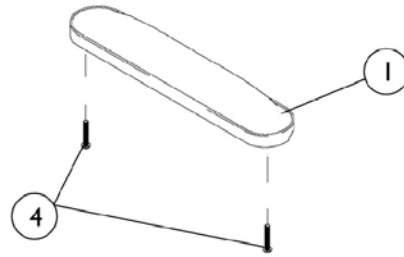


Fixed Height Arms and Hardware

Item Number	Note	Part Number	Description	Quantity Per	
				Package	Assembly
1	A	8881011813	Arm Pad, Full Length	1	1
1	A	8881053569	Arm Pad, Full Length with Screws	2	1
1	A	8881019747	Arm Pad Only - Desk Length	1	1
1	A	8881053568	Arm Pad, Desk Length with Screws	2	1
2		7930361	Screw, Phillips Round Head (#10-32 x 1-1/8")	25	1
3		1015450	Handle, Quad Release	1	2
4		1018225	Spring, Torsion with Button Lock	1	2
5		1036484	Plug Button, Arm Tube, Black (3/4")	1	1
6		1025729	Screw, Self Tapping Pan Head (#8-32 x 3/8")	1	6
7	C	1064132	Clothing Guard, Desk Length - Right/ Left	1	1
7	C	1064131	Clothing Guard, Full Length - Right/ Left	1	1
8		1027097	Plug Button, Black (3/4")	1	1
9	B	1061516	Arm Tube, Desk, Right	1	1
9	B	1061517	Arm Tube, Desk, Left	1	1
9	B	1061521	Arm Tube, Full, Right	1	1
9	B	1061586	Arm Tube, Full, Left	1	1
10		1020060	Arm Plug	1	1
11	B,C	8881061519	Arm Base, Desk, Right	1	1
11	B,C	8881061520	Arm Base, Desk, Left	1	1
11	B,C	8881061523	Arm Base, Full, Right	1	1
11	B,C	8881061524	Arm Base, Full, Left	1	1

NOTE: A - Specify upholstery color when ordering.
 B - Specify frame color from Frame Finishes, Touch-Up Paints and Upholstery Color page.
 C - Stainless steel clothing guards were replaced w/ABS plastic. Chairs manufactured before 7/30/97 should be ordered in pairs to match.

Adjustable Height Arms and Hardware

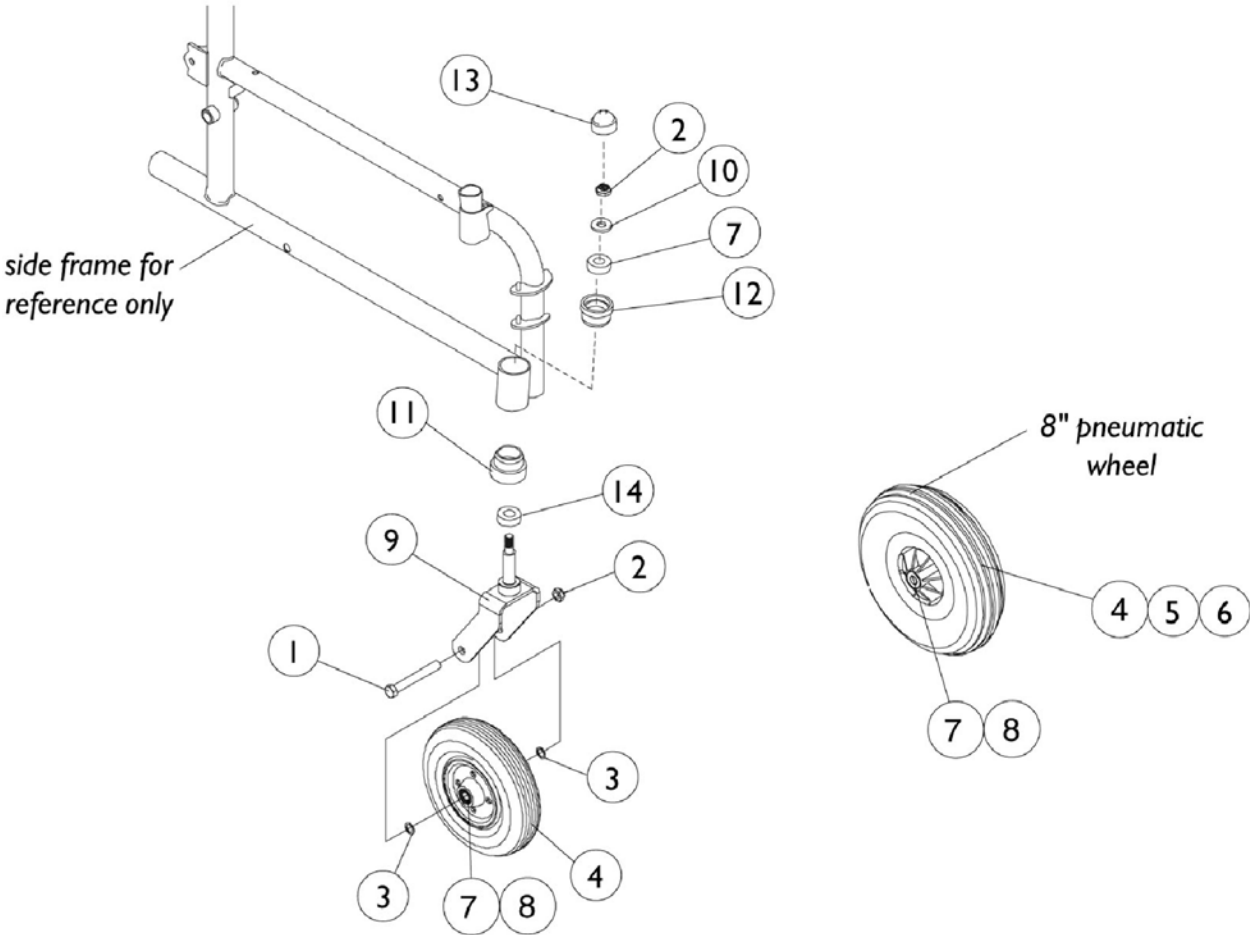


Adjustable Height Arms and Hardware

Item Number	Note	Part Number	Description	Quantity Per	
				Package	Assembly
1	A	8881011813	Arm Pad, Full Length	1	1
1	A	8881053569	Arm Pad, Full Length with Screws	2	1
1	A	8881019747	Arm Pad Only - Desk Length	1	1
1	A	8881053568	Arm Pad, Desk Length with Screws	2	1
2		1038470	Arm Tube Assembly w/o Pad w/ Plug Buttons, Conventional - Desk Length (Right/Left) (Black)	1	1
2		1038472	Arm Tube w/o Pad w/Plug Buttons, Full Length Right/Left (Black)	1	1
3		1027095	Plug Button, Black (7/8")	1	2
4		7930361	Screw, Phillips Round Head (#10-32 x 1-1/8")	25	1
5		1036150	Anti-Rattle	1	2
6		1090768	Kit, Lock Handle w/Rivets (both LT & RT side)	2	1
7		47471X074	Spring, Arm Lock	1	1
8		47471X068	Locking Pin	1	1
9		7930354	Package, Phillips Head Screw (#8-32 x 3/8")	25	1
10		1015450	Handle, Quad Release	1	2
11		1018225	Spring, Torsion with Button Lock	1	2
12		1020060	Arm Plug	1	1
13		1028645	Rivet	1	6
14	C	1064129	Clothing Guard	1	1
15		1036484	Plug Button, Arm Tube, Black (3/4")	1	1
16	B,C	8881061526	Arm Base, Right	1	1
16	B,C	8881061527	Arm Base, Left	1	1

NOTE: A - Specify upholstery color when ordering from Frame Finishes, Touch-Up Paints and Upholstery Color page.
 B - Specify frame color when ordering from Frame Finishes, Touch-Up Paints and Upholstery Color page.
 C - Stainless steel clothing guards were replaced w/ABS plastic. Chairs manufactured before 7/30/97 should be ordered in pairs to match.

Casters and Hardware

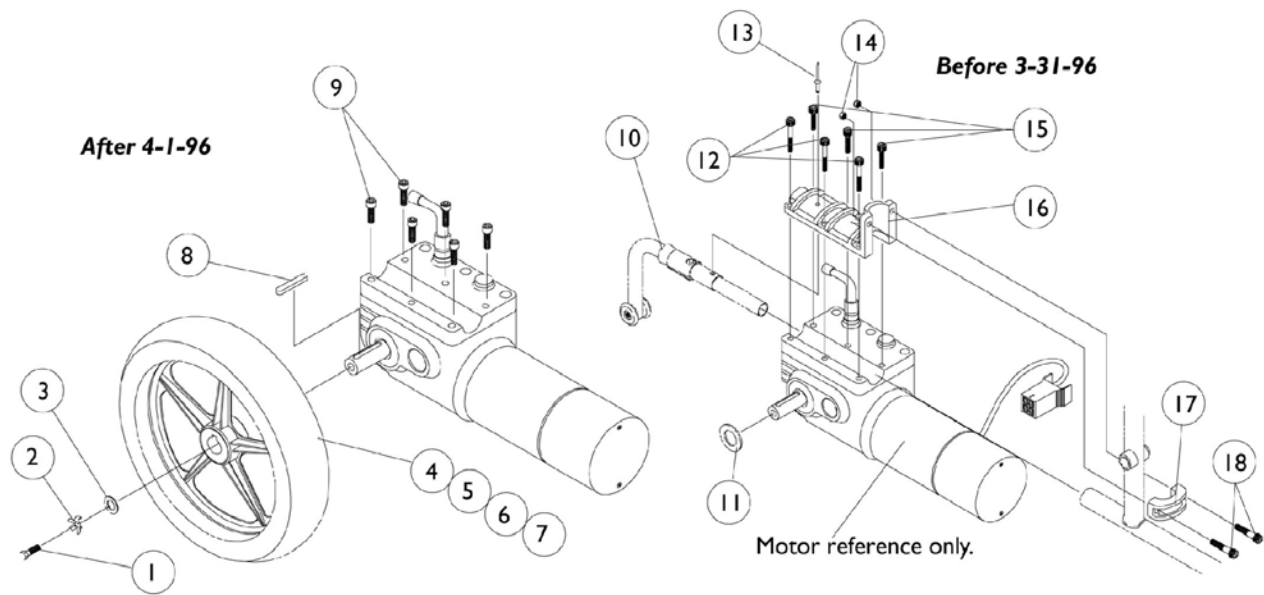


Casters and Hardware

Item Number	Note	Part Number	Description	Quantity Per	
				Package	Assembly
1		57667X007	Screw, Hex Head (7/16-20 x 3-1/4")	1	1
2		7930352	Locknut (7/16-20)	25	1
3		1016032	Washer (15/32 x 5/8 x 3/64")	1	2
4	B,D	1070811	Wheel/Caster, Semi-Pneumatic with Bearings (8 x 1-3/4")	1	1
4		1071666	Wheel Assembly (8" x 1-3/4") Composite Semi-Pneumatic (Pair)	2	1
4	D	1002002	Wheel with Bearings - Pneumatic (8 x 2")	1	1
5		40176X034	Tire, Pneumatic (8" x 2")	1	1
6		1034942	Tube, Pneumatic Inner (8" x 2")	1	1
7		1006049	Bearing (7/16")	1	2
8		1020592	Spacer, Bearing (7/16 x 5/8 x 1-3/4")	1	1
9	A,C	8881079862	Fork and Stem, 6" Colored	1	1
10		40014X044	Washer, Nylon (7/16 x 1 x 1/8")	1	1
11		1031829	Sleeve, Lower Bearing	1	1
12		1028257	Sleeve, Upper Bearing	1	1
13		1001843	Cap, Head Tube (Black)	1	1
14		40117X006	Bearing (5/8")	1	1

NOTE: A - Specify frame color 24P when ordering from Frame Finishes, Touch-Up Paints and Upholstery Color page..
 B - Chairs manufactured before 6/9/97 order in pairs (#1071666).
 C - Forks must be ordered in pairs for chairs manufactured before 10/5/98.
 D - Includes items 7 and 8

Rear Wheels and Motor Hardware



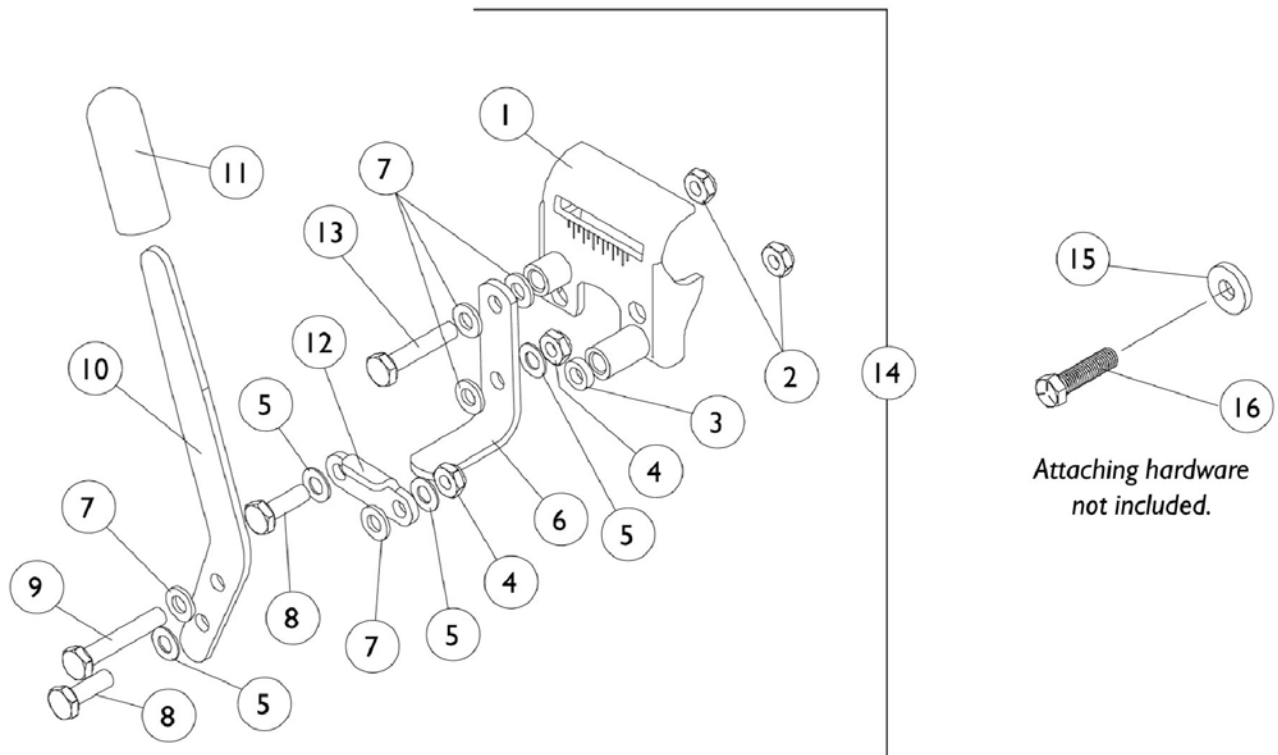
NOTE: Items 11 thru 18 only used on chairs before 3-31-96

Rear Wheels and Motor Hardware

Item Number	Note	Part Number	Description	Quantity Per	
				Package	Assembly
1		7930322	Screw, Hex Head (M8 x 1-1/4" x 20MM)	25	1
2		1064179	Kit, Locking Tab Washers with Instruction Sheet	2	1
3		1023262	Washer (11/32 x 13/16 x 1/8")	1	1
4		1064178	Wheel, Drive 5 Spoke, Pneumatic (12-1/2" x 2-1/4") Includes: Locking Tab Washer with Instruction Sheet	1	1
4		1064177	Wheel, Drive 5 Spoke with Foam Fill Insert (12-1/2" x 2-1/4") Includes: Locking Tab Washer with Instruction Sheet	1	1
5		1011524	Tire (12-1/2" x 2-1/4")	1	1
6		1011525	Tube (12-1/2" x 2-1/4")	1	1
6	A	1073936-NLA	Insert, Flat Free	1	1
7		1064176-NLA	Rim with Locking Tab	1	1
8		1023264	Key (6 MM x 6MM x 40 MM)	1	1
9		1057824	Screw, Socket Head (M6 x 1 x 16MM)	1	6
10	B	1034131	Anti-tipper	1	1
10	C	1061684	Anti-tipper	1	1
11		1023261	Washer {1-1/16 x 1-3/16 x 1/8"}	1	1
12		1023257	Screw, Socket Head (M6 x 25MM)	1	3
13		1007094	Rivet, Pop (3/16") (UI Battery Boxes Only)	1	1
14		7930307	Locknut (1/4-20")	25	1
15		1023258	Screw, Socket Head (M6 x 40MM)	1	3
16		1035012	Half Clamp, Motor	1	1
17		1035013	Half Clamp, Tube	1	1
18		7930304	Screw, Socket Head (1/4-20 x 1-1/4")	25	1

NOTE: A - As of 10/20/99 the "solid" flat free insert was replaced by a "foam fill" process. When a flat free insert is requested, a complete wheel must be ordered.
 B - Before 3/31/96
 C - After 4/1/96

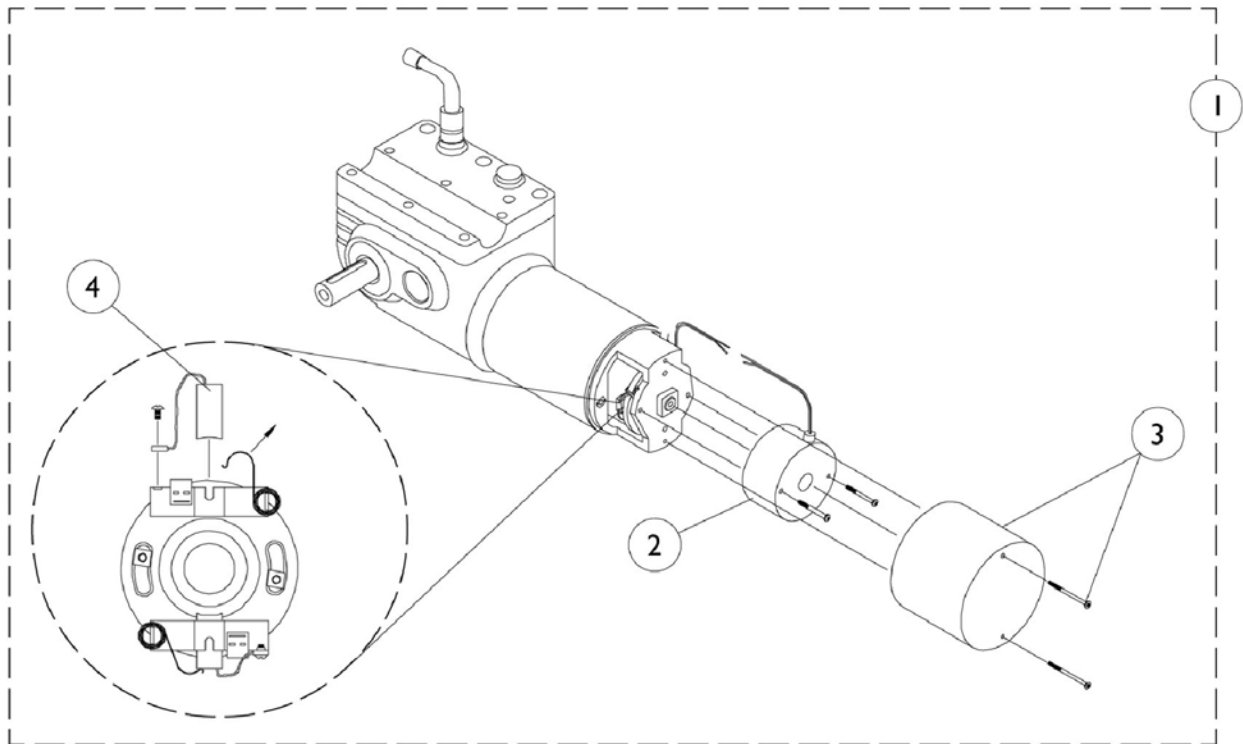
Wheel Locks and Hardware



Wheel Locks and Hardware

Item Number	Note	Part Number	Description	Quantity Per	
				Package	Assembly
1		1031837	Bracket, Right	1	1
1		1031838	Bracket, Left	1	1
2		7930323	Package, Locknut (1/4-20)	25	2
3		1026105	Spacer, Nylon (1/4 x 7/16 x 1/8")	1	1
4		7930334	Locknut (1/4-28)	25	2
5		1026103	Washer, Nylon (1/4 x 1/2 x 1/32")	1	4
6		1031833	Shoe, Wheel Lock	1	1
7		1026033	Washer, Nylon (1/4 x 1/2 x 1/16")	1	5
8		1028687	Screw, Hex Head (1/4-28 x 3/4")	1	2
9		1030949	Screw, Hex Head (1/4-20 x 1-1/2")	1	1
10		1061504	Handle, Wheel Lock	1	1
11		47376X024	Tip, Rubber Wheel Lock Handle, Black	1	1
12		1018733	Link	1	1
13		1021406	Screw, Hex Head (1/4-20 x 1-1/4")	1	1
14		1061612-NLA	Wheel Lock Assembly - Right	1	1
14		1061613-NLA	Wheel Lock Assembly - Left	1	1
15		1018739	Washer (1/4 x 5/8 x 3/32")	1	1
16		7930326	Screw, Hex Head (1/4-20 x 3/4")	25	1

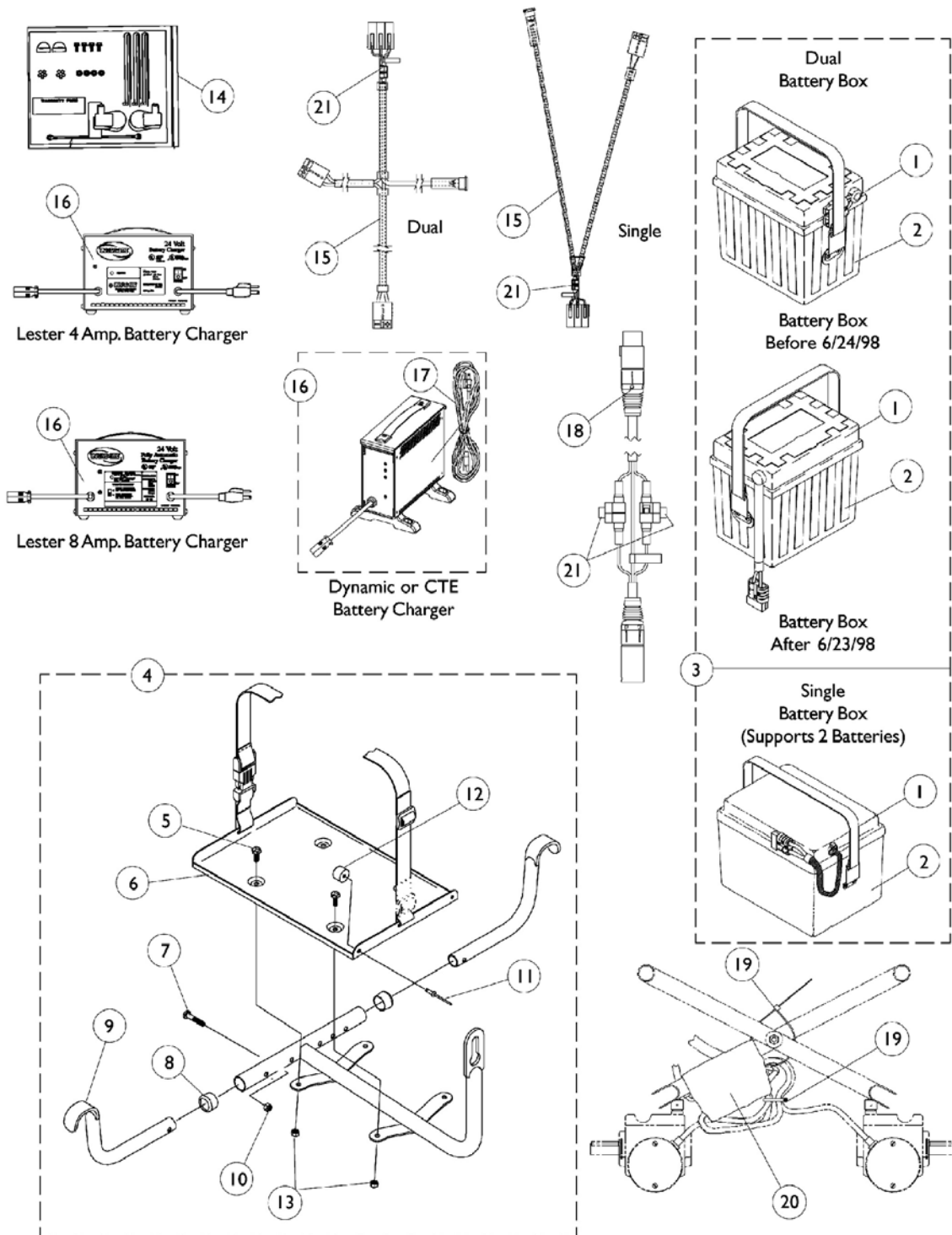
Motor Gearbox Assembly



Motor Gearbox Assembly

Item Number	Note	Part Number	Description	Quantity Per	
				Package	Assembly
1	A	1037543	Motor/Gearbox Assembly with Brake	2	1
1	B	1057902	Motor/ Gearbox, Long Cap, Right	1	1
1	B	1057903	Motor/ Gearbox, Long Cap, Left	1	1
2		1055872	Brake, Spring Set with Screws	1	1
3		1038361	Kit, Motor/Brake Covers with Screws	2	1
4		561-005	Kit, Motor Brush w/ Cap - Internal, Long Cap	2	1
NOTE: A - Before 3/31/96 B - After 4/1/96					

Battery Boxes, Chargers, Harnesses, and Trays



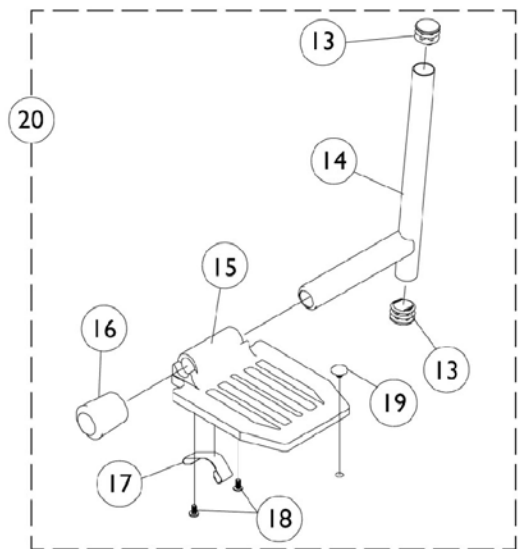
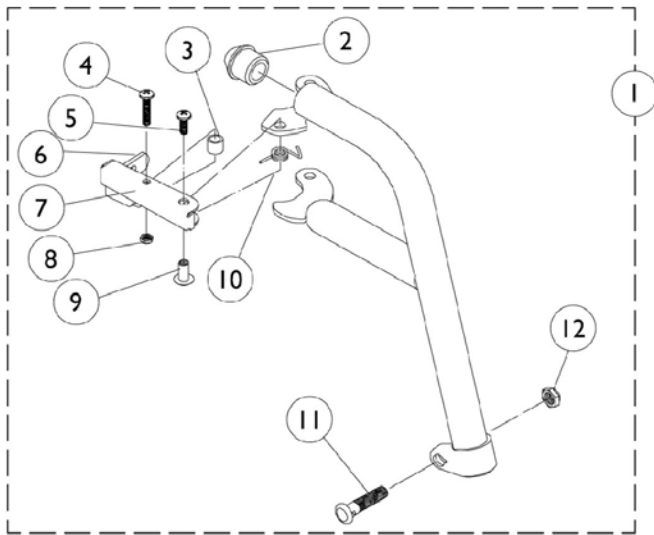
Battery Boxes, Chargers, Harnesses, and Trays

Item Number	Note	Part Number	Description	Quantity Per	
				Package	Assembly
1	B,B1,E	1060462-NLA	Battery Box Top Assembly, Single	1	1
1	B,B1,E, F	1037275	Battery Box Top Assembly, Dual w/ Single Fixed Connector	1	2
1	B,B1,E, G	1057941	Battery Box Top Assembly, Dual w/ Single Extended Connector, UI	1	2
2		1060460	Battery Box Bottom - Single	1	1
2		1009268	Battery Box Bottom Assembly	1	2
3		1061509-NLA	Battery Box Assembly - Single, (Supports 2 Batteries)	1	1
3	F	1061510	Battery Box Assembly, Dual w/ Single Fixed Connector	1	2
3	G	1057942	Battery Box Assembly, Dual w/ Single Extended Connector, UI	1	2
4		1060451	Battery Tray Assembly, Single	1	1
4		1061158	Battery Tray Assembly, Dual	1	1
5		1025752	Screw, Hex Head (1/4-20 x 1-1/2")	1	4
6		1037270	Tray with Buckle {Single and Dual}	1	1
7		1021406	Screw, Hex Head (1/4-20 x 1-1/4")	1	2
8		15680X012	Collar, Anti-Rattle (7/8")	1	2
9		1038220	Bracket, Tray Hanger	25	2
10		7930333	Locknut (1/4-20)	1	1
11		1007094	Rivet, Pop (3/16") (UI Battery Boxes Only)	1	2
12		1016025	Bumper, Rubber (UI Battery Boxes Only)	25	2
13		7930323	Package, Locknut (1/4-20)	1	1
14		1097005-NLA	Jumper Cable Hardware Kit	1	1
15		1060464	Wire Harness, Single	1	1
15		1067404	Wire Harness, Dual	1	1
16	C	1053161	Battery Charger, 8 Amp. 115vac (Off Board) Dual Mode Round Plug, Lester	1	1
16		1085678-NLA	Battery Charger, 8 Amp. 115vac (Off Board) Dual Mode Round Plug w/ AC Power Line Cord, Dynamic	1	1
16	L	1061411-NLA	Battery Charger, 4 Amp. 115vac (Off Board) Dual Mode Round Plug, Lester	1	1
16	M,M1	1123249	Battery Charger, 8 Amp. 115vac (Off Board) Single Mode Round Plug w/ AC Power Line Cord, CTE Corp.	1	1
17		1089627	Cord, AC Power Line 115vac (2-prong off-board 11'6"L)	1	1
18		1083929	Cable, Charger Extension (24" Long Round Plug)	1	1
19		1095502	Package, Cable Ties (11-1/2" Long)	10	1
20		1058491-NLA	Connector Boot, Wire	1	1
21	J	1098892	Fuse, 15 Amp. (Buss ATC-15)	1	1
21	K	1090117	Fuse, 15 Amp. (Buss Mini ATM-15)	1	2
	A,B,B1, H	50000X166-NLA	Fuse, 60 Amp (Buss 2-1/4" Long)	1	2

Battery Boxes, Chargers, Harnesses, and Trays

Item Number	Note	Part Number	Description	Quantity Per	
				Package	Assembly
	A,I	1089385	Fuse, 80 Amp, MIDI (Non-G/B & G/B)	1	1
	A,D	1060454-NLA	Terminal Harware, U1 Batteries	2	1
<p>NOTE:</p> <ul style="list-style-type: none"> A - Not Shown B - Battery harness fuse changed from a Bussman 60 Amp. to a MIDI 80 Amp. fuse as of 11/5/99 for Dual Battery Boxes and 11/10/00 for the Single Battery Box. B1 - The current battery box top assemblies are compatible for all chairs manufactured before the dates specified and must be ordered when a replacement Bussman 60 amp. fuse is requested. C - On 7/18/01 Lester 8 battery charger was reinstated. D - Hardware includes small battery terminal caps (gray and orange), 1/4-20 x 7/8" hex flange screws and instruction sheet for two batteries. E - It is recommended that new terminal hardware be ordered when a new battery box top is ordered. F - Before 6/24/98 G - After 6/23/98 H - Before 11/5/99 for dual battery box and Before 11/10/00 for Single battery box I - After 11/4/99 for dual battery box and After 11/9/00 for single battery box J - Before 4/1/03. Charger extension cable takes 1 fuse and the wire harness takes 2 fuses K - After 3/31/03. Charger extension cable takes 2 fuses and the wire harness takes 2 fuses L - The 4 amp. Lester charger was obsoleted and replaced with the 8 amp. CTE charger. For wet cell batteries, use the 8 amp. dual mode Lester charger. M - CTE charger introduced 4/1/04. Used on Gel Cell or AGM (Absorbed Glass Mat) batteries. For wet cell batteries refer to the 8 amp. Lester charger. M1 - CTE charger looks exactly the same as Dynamic's charger except for the company name that is silk screened on the narrow side panel, where the charger plug is (hard wired) attached. Serial number starts with 04A0000001. 					

P93 Footrest and Hardware



P93 Footrest and Hardware

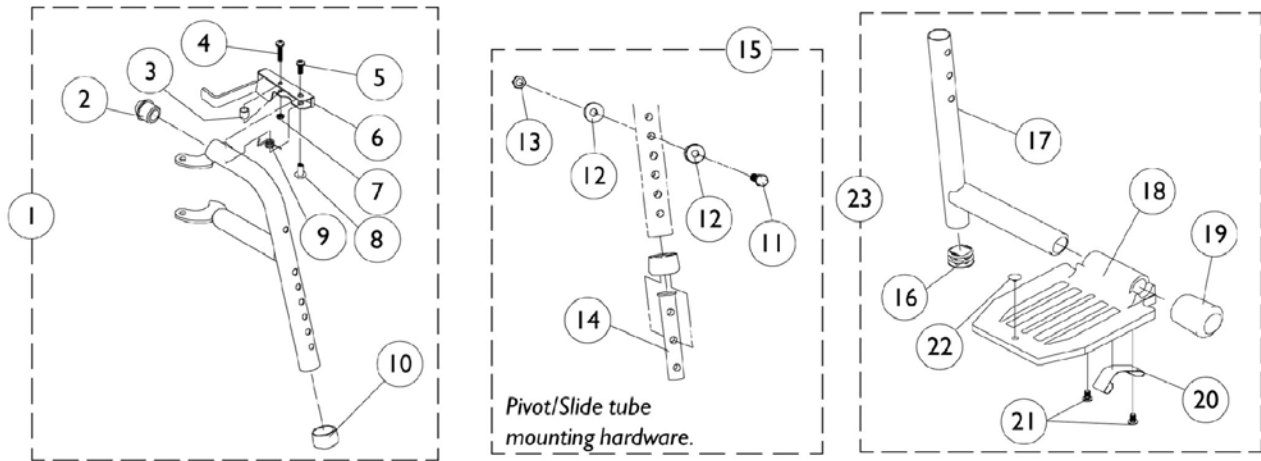
Item Number	Note	Part Number	Description	Quantity Per	
				Package	Assembly
1	A	8881035779	Footrest Support Assembly, Adult, Color - Right	1	1
1	A	8881035780	Footrest Support Assembly, Adult, Color - Left	1	1
2		1020719	Anti-Rattle, Black	1	1
3		47565X057	Bushing (7/32 x 3/8 x 11/32")	1	1
4		7930328	Screw, Phillips Pan Head (#10-32 x 11/16")	25	1
5		7930335	Screw, Phillips Pan Head (#10-32 x 1/2")	25	1
6		1006490	Tip, Plastic, Black	1	1
7		1035539	Handle, Release (Black) - Right	1	1
7		1035540	Handle, Release (Black) - Left	1	1
8		7930322	Screw, Hex Head (M8 x 1-1/4" x 20MM)	25	1
9		1028846	Rivnut (#10-32)	1	1
10		1028707	Spring, Release - Right	1	1
10		1028708	Spring, Release - Left	1	1
11		1026030	Screw, Lug (5/16-24 x 1-3/8")	1	1
12		1107321	Nut, Low Cap (5/16"-24)	1	1
13		1027097	Plug Button, Black (3/4")	1	1
14		1041527	Pivot/Slide Tube with Plug Button (Black)	1	1
14		1086474	Pivot Slide Tube with Plug Buttons, 2" Longer (Chrome)	1	1
14		1086475	Pivot Slide Tube with Plug Buttons, 4" Longer (Chrome)	1	1
15		44200X027	Footplate, Aluminum - Medium (7-3/4" W x 6" L)	1	1
16		1016346	Cap, Tube End (7/8")	1	1
17		1006981	Spring, Leaf	1	2
18		7930354	Package, Phillips Head Screw (#8-32 x 3/8")	25	1
19		1070168	Push Plug, Footplate	1	1
20		See Chart	#20 Pivot/Slide Tube and Footplate	1	1

NOTE: A - Specify frame color from Frame Finishes, Touch-Up Paints and Upholstery Color Page

#20 Pivot/Slide Tube and Footplate

Side	Standard	2" Longer	4" Longer
Right	1057969	1086503-NLA	1086504
Left	1057970	1086505-NLA	1086506

PW93 Footrest and Hardware



PW93 Footrest and Hardware

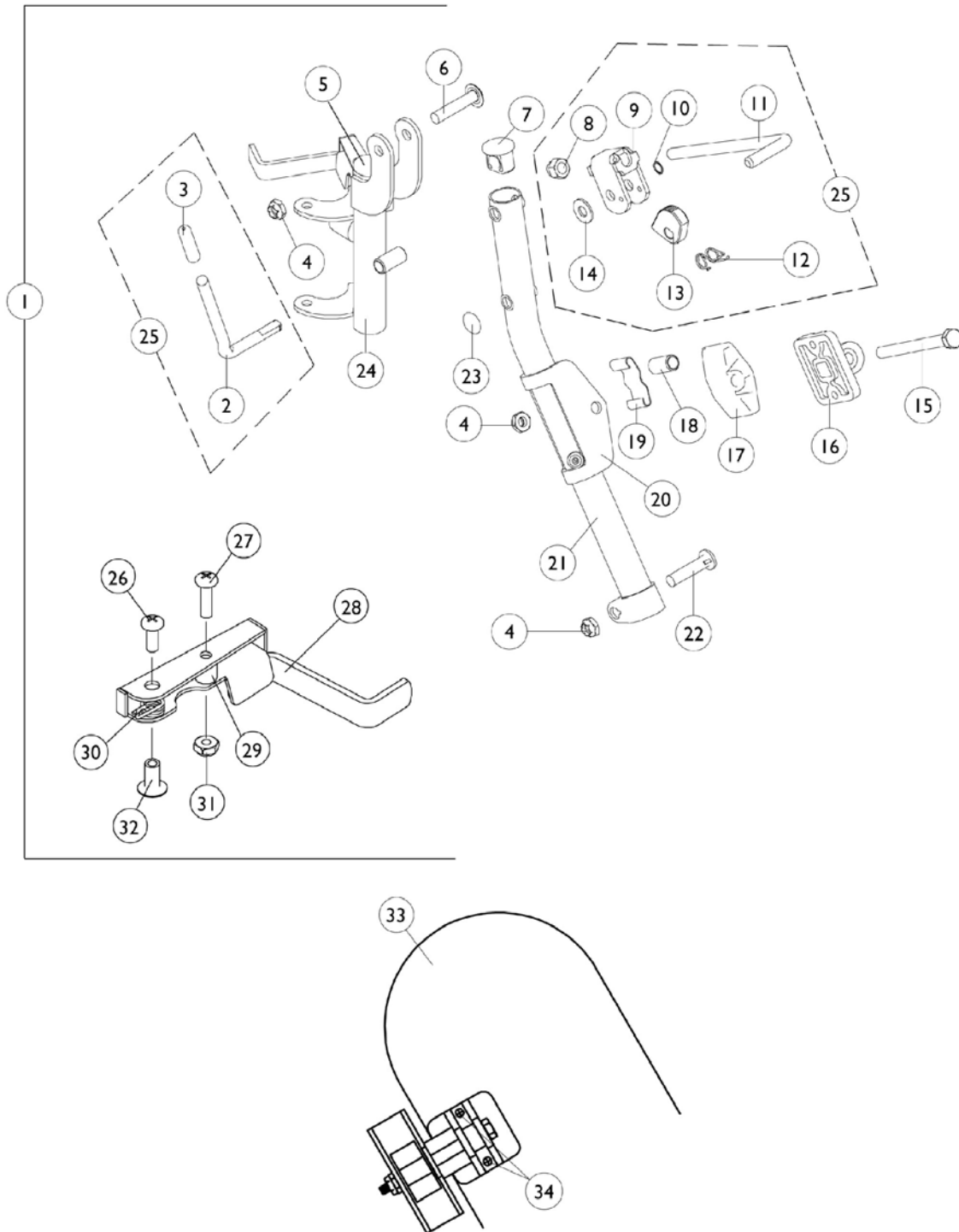
Item Number	Note	Part Number	Description	Quantity Per	
				Package	Assembly
1	A	8881070776	Footrest Support Assembly, Adult, Color - Right	1	1
1	A	8881070777	Footrest Support Assembly, Adult, Color - Left	1	1
2		1020719	Anti-Rattle, Black	1	1
3		47565X057	Bushing (7/32 x 3/8 x 11/32")	1	1
4		7930328	Screw, Phillips Pan Head (#10-32 x 11/16")	25	1
5		7930335	Screw, Phillips Pan Head (#10-32 x 1/2")	25	1
6		1035539	Handle, Release (Black) - Right	1	1
6		1035540	Handle, Release (Black) - Left	1	1
7		7930332	Locknut, High Profile (#10-32)	25	1
8		1028846	Rivnut (#10-32)	1	1
9		1028707	Spring, Release - Right	1	1
9		1028708	Spring, Release - Left	1	1
10		15680X012	Collar, Anti-Rattle (7/8")	1	1
11		1070759	Screw, Hex Head (1/4-20 x 1-1/2")	1	1
12		1026099	Spacer, Coved (1/4 x 11/16 x 1/2")	1	2
13		7930338	Nut, Acorn (1/4-20)	25	1
14		1020534	Insert, Threaded	1	1
15		1074143	Kit, Slide Tube Mounting Hardware	1	1
16		1027097	Plug Button, Black (3/4")	1	1
17		1048834	Pivot/Slide Tube with Plug Button	1	1
17		1098906	Pivot/Slide Tube with Plug Button - 2" Longer	1	1
17		1086482	Pivot/Slide Tube with Plug Button - 4" Longer	1	1
18		44200X027	Footplate, Aluminum - Medium (7-3/4" W x 6" L)	1	1
19		1016346	Cap, Tube End (7/8")	1	1
20		1006981	Spring, Leaf	1	2
21		7930354	Package, Phillips Head Screw (#8-32 x 3/8")	25	1
22		1070168	Push Plug, Footplate	1	1
23		See Chart	#23 Pivot/Slide Tube with Footplate	1	1

NOTE: A - Specify frame color from Frame Finishes, Touch-Up Paints and Upholstery Color Page

#23 Pivot/Slide Tube with Footplate

Side	Standard	2" Longer	4" Longer
Right	1074149	1086494	1086495
Left	1074150	1086497	1086498

P904/T934A Legrest and Hardware



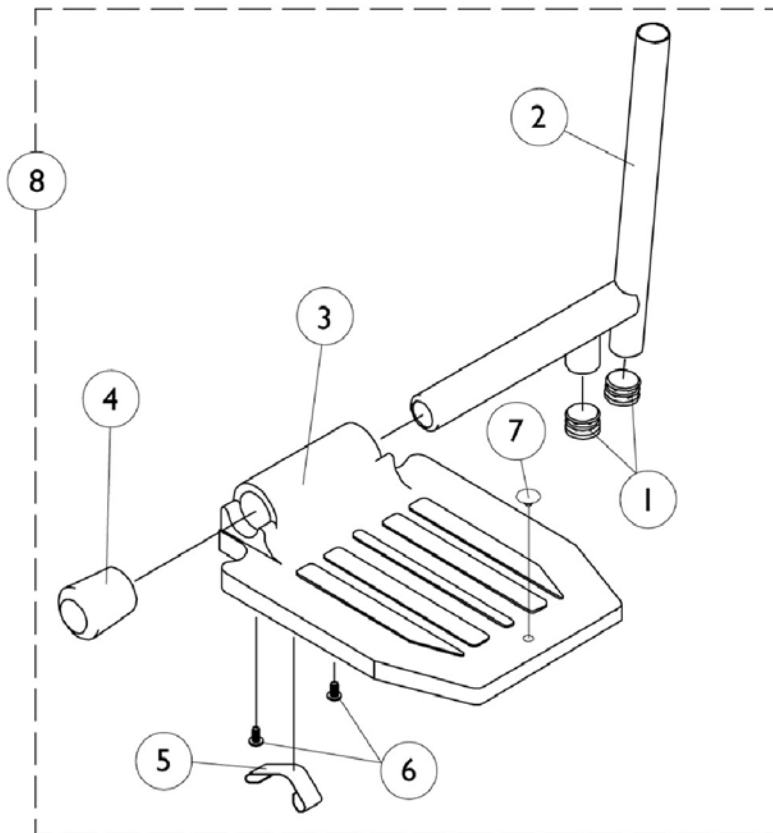
P904/T934A Legrest and Hardware

Item Number	Note	Part Number	Description	Quantity Per	
				Package	Assembly
1	C,I	1031579	Legrest Support Assembly, Adult, Silver Vein - Right	1	1
1	C,I	1031580	Legrest Support Assembly, Adult, Chrome - Left	1	1
2		1037126	Handle, Release	1	1
3		1040060	Tip, Black Plastic	1	1
4		7930363	Package, Locknut (5/16"-24)	25	3
5		1027095	Plug Button, Black (7/8")	1	1
6		1030948	Screw, Truss Head (5/16-24 x 1-1/2")	1	1
7		1095433	Plug Button, Black (7/8")	1	1
8		7930336	Nut, Acorn (5/16-24)	25	1
9		04528X002	Bracket, Release (Chrome)	1	1
10		1040831	Snap Ring	1	1
11		42326X001	Bar, Ratchet	1	1
12		1037485	Spring, Release	1	1
13		1037125	Cam, Legrest	1	1
14		7930310	Washer, Nylon (5/16 x 11/16 x 1/16")	25	1
15		1014807	Screw, Hex Head (5/16-24 x 3-1/4")	1	1
16		04526X019	Plate, Legrest Pad	1	1
17		1091220	Spacer	1	1
18		47328X003	Bushing, Pivot (5/16 x 7/16 x 7/8")	1	1
19		48823X008	Spring, Leaf	1	1
20		1025104	Bracket, Legrest (Chrome)	1	1
21	A,G	1031358	Support Tube, Elevating Legrest, Chrome - Right	1	1
21	A,G	1031359	Support Tube, Elevating Legrest, Chrome - Left	1	1
21	H	1149473	Support Tube, Elevating Legrest, Silver Vein - Right	1	1
21	H	1149474	Support Tube, Elevating Legrest, Silver Vein - Left	1	1
22		11232X009	Screw, Lug (5/16-24 x 1-3/8")	1	1
23		1096773	Nut, Push Dome (5/16")	1	1
24		1031581	Legrest Support w/ Release Handle and Bumper Right	1	1
24		1031582	Legrest Support w/ Release Handle and Bumper Left	1	1
25	D	1046328	Ratchet Assembly Kit	2	1
26		1025716	Screw, Phillips Pan Head (#10-32 x 11/16")	1	2
27		1026114	Screw, Phillips Pan Head (#10-32 x 1/2")	1	1
28		1035539	Handle, Release (Black) - Right	1	1
28		1035540	Handle, Release (Black) - Left	1	1
29		47565X057	Bushing (7/32 x 3/8 x 11/32")	1	1
30		1028707	Spring, Release - Right	1	1
30		1028708	Spring, Release - Left	1	1
31		1025735	Locknut (#10-32)	1	1
32		1028846	Rivnut (#10-32)	1	1
33	B,E	1091767-NLA	Pad with Screws, Legrest (Pair)	2	1
33	B,F	8881091764	Pad, Legrest Vinyl - Right/Left	1	1
34		1066591	Screws, Phillips Head (#10-32 x 11/16")	2	1

P904/T934A Legrest and Hardware

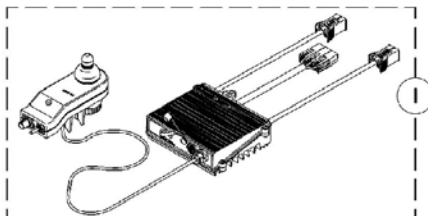
NOTE: A - Due to product improvement, item #5 must also be ordered.
B - Specify U67 Black vinyl upholstery when ordering.
C - Includes items 2-24
D - Includes items 2, 3 and 8-14
E - Before 9/5/00
F - After 9/4/00
G - Before 7/6/07
H - After 7/5/07
I - After 7/5/07 Color changed from chrome to silver vein. It is recommended to order in pairs to match

Pivot/Slide Tube and Footplate P904 and T934A



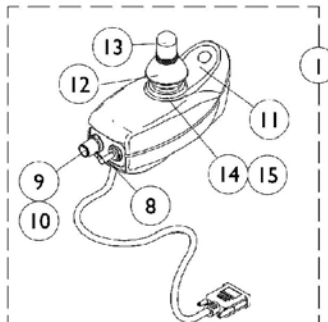
Item Number	Note	Part Number	Description	Quantity Per	
				Package	Assembly
1		1027097	Plug Button, Black (3/4")	1	2
2		04470X013	Pivot Slide Tube	1	1
3		44200X027	Footplate, Aluminum - Medium (7-3/4" W x 6" L)	1	1
4		1016346	Cap, Tube End (7/8")	1	1
5		1006981	Spring, Leaf	1	1
6		7930354	Package, Phillips Head Screw (#8-32 x 3/8")	25	1
7		1070168	Push Plug, Footplate	1	1
8		1017237	Pivot Slide Tube with Aluminium Footplate - Right	1	1
8		1017238	Pivot Slide Tube with Aluminium Footplate - Left	1	1

MKIV RII Joystick, Controller and Hardware

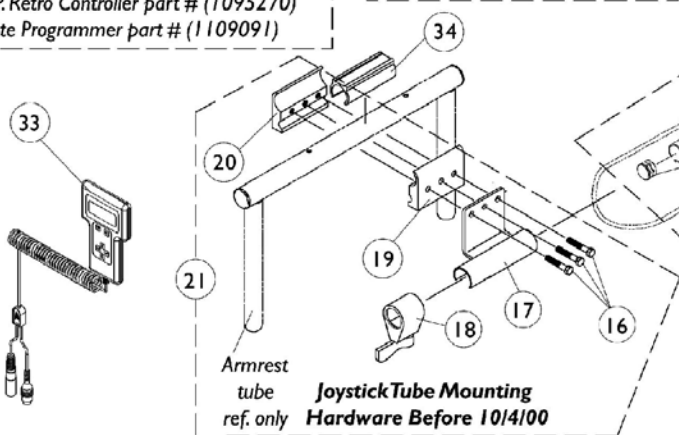


RII Joystick/L.P. Controller Before 5/1/00
Part Number 1080953NLA

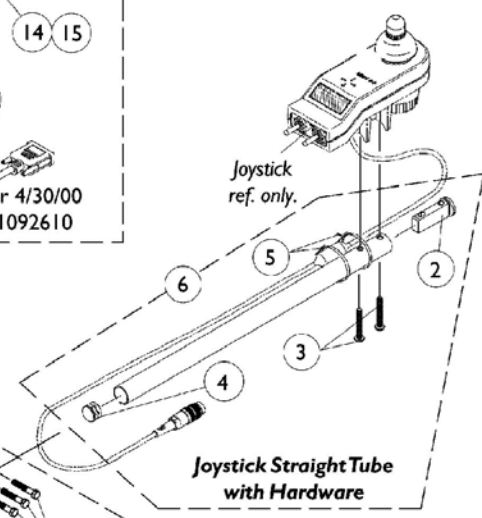
For chairs made before 5/1/00,
the following must be ordered:
RII Joystick part # (1092610)
RII L.P. Retro Controller part # (1095270)
Remote Programmer part # (1109091)



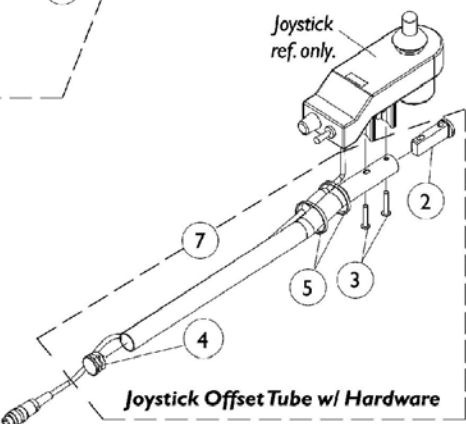
RII Joystick After 4/30/00
Part Number 1092610



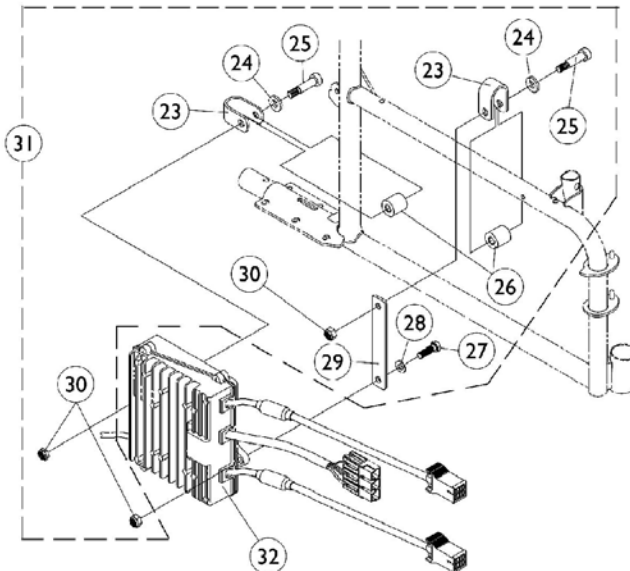
Joystick Tube Mounting
Hardware Before 10/4/00



Joystick Straight Tube
with Hardware



Joystick Offset Tube w/ Hardware



Joystick Tube Fixed Height
Clamp Assembly
After 10/3/00

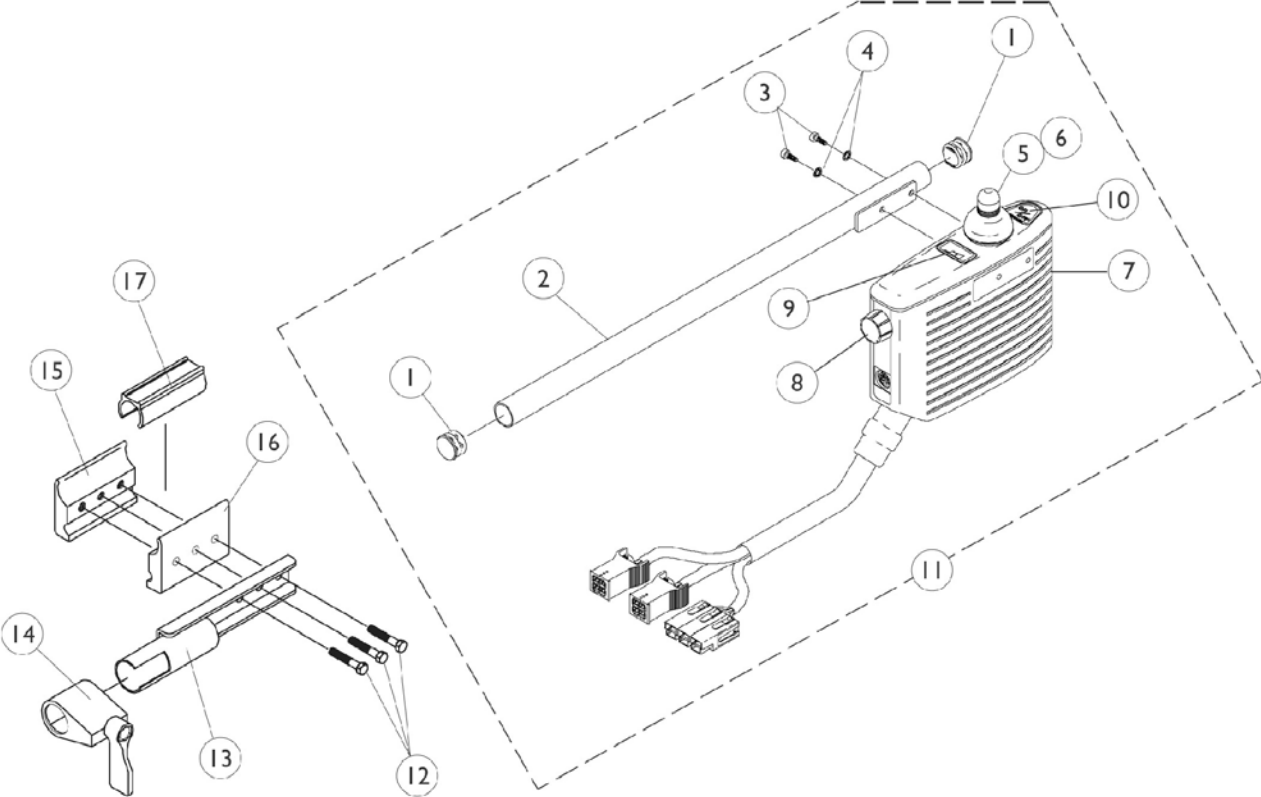
MKIV RII Joystick, Controller and Hardware

Item Number	Note	Part Number	Description	Quantity Per	
				Package	Assembly
1	B,F	1080953-NLA	Joystick/Controller, MKIV RII L.P	1	1
1	A,G	1092610	Joystick, RII	1	1
2		1093063	Spacer, Joystick Tube	1	1
3		1025714	Screw, Phillips Pan Head (#10-32 x 1-1/8")	1	1
4		1027095	Plug Button, Black (7/8")	1	1
5		1095502	Package, Cable Ties (11-1/2" Long)	10	2
6	I	1043568	Kit, Straight Joystick Tube with Hardware	1	1
7	D,D1,P	1093069	Kit, 1/2" Offset Joystick Tube with Hardware	1	1
8		1010042	Switch, Toggle SPDT	1	1
9		1025516	Knob, Speed Control	1	1
10		1040225	Potentiometer, Speed	1	1
11	F	1069204	Decal, Joystick Overlay - RII	1	1
12		1040218	Skirt, Joystick	1	1
13		1040217	Knob, Joystick	1	1
14		1036764	Inductive, Joystick	1	1
15		50000X364	Joystick, Boot	1	1
16		7930349	Screw, Hex Head (1/4-20 x 1-1/8")	1	1
17		1049582	Bracket, Joystick Mounting	1	1
18		1027274	Lock, Adjustment (Black)	1	1
19		1027266	Half Clamp, Non-Threaded Holes	1	1
20		1027267	Half Clamp, Threaded Holes	1	1
21	I	1049591	Hardware, Joystick Tube Mounting	1	1
22	D,D1,J, P	1093071	Clamp, Fixed Height Joystick Tube	1	1
23		1069658	Bracket, Pivot	1	2
24		1069548	Washer (7/16 x 13/16 x 1/8")	1	2
25		1062604	Screw, Shoulder Socket Head (3/8 x 1-1/4")	1	2
26		1069659	Bushing	1	1
27		1050161	Screw, Hex Head Cap with Patch (5/16-18 x 1")	1	1
28		1025704	Washer, Flat (5/16 x 5/8 x 1/16")	1	1
29		1069657	Strap	1	1
30		1028769	Locknut (5/16-18)	1	3
31		1069671	Mounting Hardware, P7E Controller	1	1
32	A,G	1095270	Controller, MKIV RII Retro L.P.	1	1
33	C	1109091	Programmer, Remote	1	1
34	N	1061983	Spacer, Plastic Snap Clamp (3/4" I.D. x 2-1/2" Long)	1	1
	K,O	1064404-NLA	Virtual Service Modem Kit	1	1
	L,O	1091631-NLA	Virtual Service Software Kit	1	1
	O	1095204	Cable, Virtual Service Charger/Modem	1	1
	O	1091980-NLA	Disk, 3.5 H.D. Floppy with V.S. Software	1	1
	O	1091637-NLA	Adaptor, Null Modem	1	1
	O	1091636-NLA	Service Manual - V.S. Software Kit	1	1
	O	1095204	Cable, Virtual Service Charger/Modem	1	1
	M,O	1046117-NLA	Printer and Interface	1	1

MKIV RII Joystick, Controller and Hardware

Item Number	Note	Part Number	Description	Quantity Per	
				Package	Assembly
	O	1026572-NLA	Paper, Printer	1	1
	O	1027280-NLA	Harness, Printer Wiring	1	1
	O	1058491-NLA	Connector Boot, Wire	1	1
<p>NOTE: A - After 4/30/00 retro L.P. controller part # (1095270) is sold separately from the joystick. B - Joystick and retro L.P. controller after 4/30/00 serve as direct replacements for chairs made before 5/1/00. C - Remote programmer part #(1109091) with the dual connectors (3-Pin and 5-Pin) is the only programmer functionable with the new RII joystick part #(1092610). D - The joystick straight tube changed to an offset joystick tube on 10/4/00. The joystick tube mounting hardware also changed to a new fixed height clamp assembly to allow an individual to use an D1 - adjustment lever to securely hold the joystick tube in place. The fixed height joystick tube clamp can be used as a direct replacement in the field for the joystick tube mounting hardware part number 1049591 manufactured for chairs before 10/4/00. F - Before 5/1/00 G - After 4/30/00 I - After 10/3/00 J - Includes items 16-20 K - Part number 1095204 is available for individual sale L - Part numbers 1091980, 1091637, 1091636 and 1095204 are available for individual sale. M - Part numbers 1026572 and 1027280 are available for individual sale. N - Spacer allows the half clamps to grip securely around the 3/4" arm tube O - Not Shown P - After 10/3/00</p>					

INT. Controller and Hardware



INT. Controller and Hardware

Item Number	Note	Part Number	Description	Quantity Per	
				Package	Assembly
1		1027095	Plug Button, Black (7/8")	1	2
2		1056086	Mounting Tube, Controller	1	1
3		1056087	Screw, Socket Head (#10-32 x 1/2")	1	2
4		1027263	Washer, Lock Tooth (3/16 x 3/8 x 1/32")	1	2
5		1040217	Knob, Joystick	1	1
6		1040218	Skirt, Joystick	1	1
7	B	1060086	Non Programmable MKIV INT.	1	1
8		1056559	Knob, Speed Control	1	1
9		GLA35137	Decal, Battery	1	1
10		GLA35136	Decal, On-Off	1	1
11		1056088-NLA	Controller with Tube	1	1
12		7930349	Screw, Hex Head (1/4-20 x 1-1/8")	25	1
13		1035414	Controller Bracket Tube	1	1
14		1027274	Lock, Adjustment (Black)	1	1
15		1027267	Half Clamp, Threaded Holes	1	1
16		1027266	Half Clamp, Non-Threaded Holes	1	1
	A	1058491-NLA	Connector Boot, Wire	1	1
17	C	1061983	Spacer, Plastic Snap Clamp (3/4" I.D. x 2-1/2" Long)	1	1

NOTE: A - Not Shown
 B - Includes items 5, 6, and 8.
 C - Spacer allows the half clamps to grip securely around the 3/4" arm tube

Accessories, Miscellaneous

Item Number	Note	Part Number	Description	Quantity Per	
				Package	Assembly
		1034625.	0	1	1
		1004310	Positioning Strap, Seat/Chest w/ Auto Style Push Button Buckle (Eyelet to Eyelet Length 48")	1	1
		1034744	Positioning Strap, Seat/Chest w/ Hook and Loop Style Buckle (Eyelet to Eyelet Length 45")	1	1
		40176X010	Tire Pump	1	1
	A	8881047959	Carrying Pocket, Nylon (16"-20" Wide Chair)	1	1
		1063287	Extension Handle Assembly, Clutch (Pair)	2	1
		1058899	Handle, Wheel Lock Extension, 6"	1	2
		1058900	Handle, Wheel Lock Extension, 8"	1	2
		1034206	Non-Removable Device (1820)	2	1
		1032002	"H" Heel Strap	1	1
		1035902	Calf Strap w/ Hook and Loop (31" Long)	1	1
	A,B	8881006725	Legrest Panel	1	1
	A,C	8881006726	Legrest Panel	1	1
	A,B	8881035816	Legrest Panel	1	1
	A,C	8881035817	Legrest Panel	1	1
		1035917	Heel Loops w/o Hardware	2	1
		1017621	Heel Loop	1	1
	D	1035907	Kit, Heel Loop Attaching Hardware	2	1
	D	04572X025	Toe Loop (Single)	1	1
	D	1037087	Toe Loops without Hardware (Pair)	2	1
	E	1037089	Hardware Toe Loop (Pair)	2	1
<p>NOTE: A - Specify upholstery color when ordering. See page titled Frame Finishes, Touch-Up Paints and Upholstery Color page. B - For 16" wide chairs C - For 18" wide chairs D - Fits all sizes E - Includes 4 ea. Screw, Phillips Pan Head (10-32 x7/8"); 4 ea. Washer (1/4 x 3/4 x 3/32"); 4 ea. Locknut (10-32)</p>					

Power Wheelchair Tool Kit

1



Multimeter with Leads



Grounding Wire



1" Test Leads



Protractor/Angle Locator



Invacare Pen Light



Invacare Tape Measure



Invacare Phillips/Flat Head Screwdriver



MKIV Programmer



Virtual Service Charger Cable

Power Wheelchair Tool Kit

Item Number	Note	Part Number	Description	Quantity Per	
				Package	Assembly
1		1125222	Kit, Power Wheelchair Tool Includes: 1 ea. Multimeter with Leads 1 ea. Locator, Protractor/Angle Magnetic Base 1 ea. Instructions, MKIV Programmer 1 ea. Wire, Grounding with Hand Strap and Clip 1 ea. Leads, 1" Test 1 ea. Light, Pen with Invacare Logo 1 ea. Tape Measure, Compact with Invacare Logo 1 ea. Screwdriver, Pen-Size Phillips/Flat Head 1 ea. Cable, Virtual Service Charger/Modem	1	1

Invacare Corporation

www.invacare.com



Yes, you can.™

One Invacare Way
Elyria, Oh USA
44036-2125
800-333-6900

Technical Support
800-832-4707
Customer Service
800-333-6900

Customer Service
800-333-6900

©2008 Invacare Corporation. Elyria, Ohio. All rights reserved. Trademarks are identified by the symbols™ and®. All trademarks are owned by or licensed to Invacare corporation unless otherwise noted. Bussman is a registered trademark of Cooper Industries. MIDI is a registered trademark of Littelfuse Inc., Dynamic is a registered trademark of Dynamic Controls Limited. (Revised 5/27/08)

Form No. 95-167