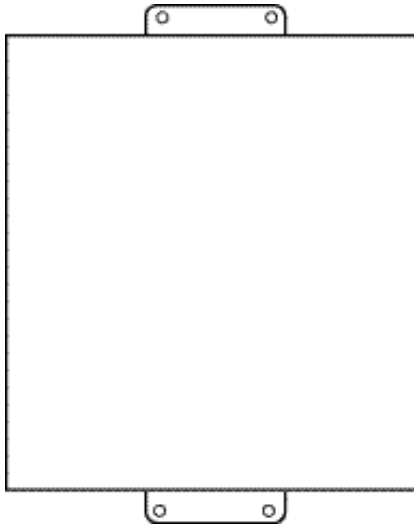


***TTX001***



***TV TUNER***

**OWNER'S MANUAL**



7. Do not let the unit become hot. If temperature in the car is high or the set has been exposed to direct sunlight and is hot, lower the temperature before using it.

### DESCRIPTION

The Clarion TTX001 TV tuner has a number of exceptional features. For instance, the TTX001 allows two types of wiring: stand alone or with the Clarion VMA1131.

It also has preset tuning (for a total of 12 VHF/UHF stations), manual tuning and automatic tuning to permit easy tuning of the desired broadcast stations.

### PACKAGE CONTENTS

The TTX001 comes with the following items:

- TV tuner
- RC-300 remote control
- 16 pin to A/V, IR and power inputs
- IR Receiver
- A/V RCA cable
- Power harness
- 3.5mm Male to Male IR extension
- Y connector for IR

### CONNECTOR LOCATIONS

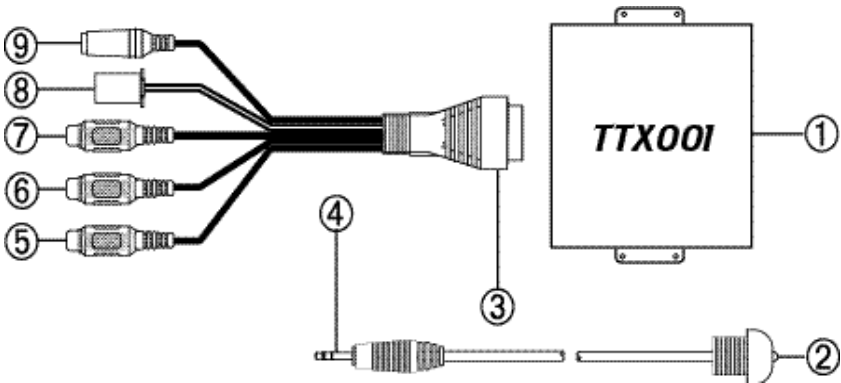


Figure 1-

- |                           |                            |
|---------------------------|----------------------------|
| ① 3.5mm Antenna Connector | ⑥ R Audio Output Connector |
| ② IR Sensor               | ⑦ L Audio Output Connector |
| ③ Connector               | ⑧ Power Connector          |
| ④ IR Sensor Connector     | ⑨ IR Input Connector       |
| ⑤ Video Output Connector  |                            |

## WIRING PRECAUTIONS

Read all wiring precautions. If you are not sure of the connections, contact your authorized Clarion dealer.

1. Disconnect the negative (-) lead of the battery before making any power connections.
2. When creating passage holes for the power wires, use grommets to eliminate any sharp edges created during drilling. This will protect the wire from being nicked and causing a short circuit.
3. When connecting the ground lead, fasten the ground lead (black) securely to a clean metal plate on the vehicle.

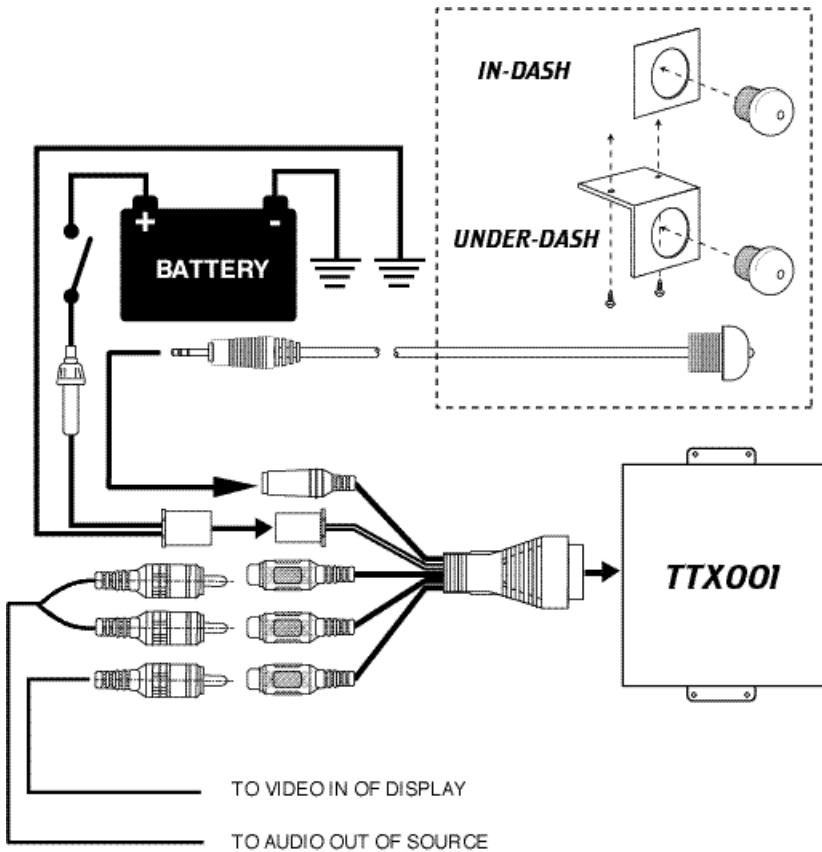


Figure 2- Wiring

## APPLICATIONS

The TTX001 can be operated in a number of applications. Find yours below.

### **With the VMA1131**

1. Place tuner into the channel on the back of the monitor and slide the tab into the slot. Mount tuner with the two machine screws supplied.
2. Plug the 16 to 16 pin cable (supplied with the monitor) into the tuner and the back of the monitor.
3. Mount the antenna (ZCB-003 or equivalent) and plug into the antenna input of the tuner.
4. Plug the power connector into the monitor and connect to vehicle accessory and ground.

### **Operation**

- The tuner can be controlled by the buttons on the monitor or by the remote control.

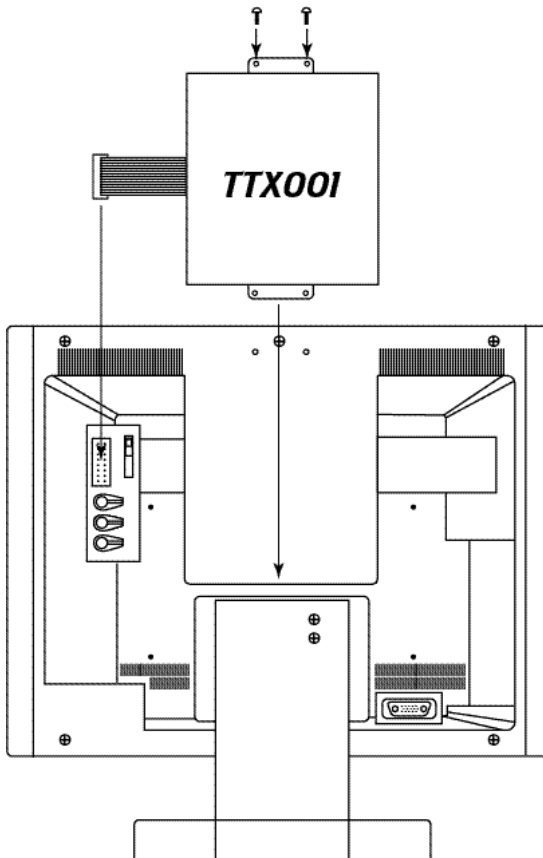


Figure 3- TTX001 with VMA1131

**With the VDH9600, OHM641 and the FM100S**

1. Pick a location to mount the tuner. Typically the tuner will be located close to the VCP. Avoid areas with excessive heat or moisture and mount the tuner.
2. Mount the TV antenna (ZCB-003 or equivalent) and plug into the tuner.
3. Plug the 16 pin to A/V out connector into the tuner. Plug the A/V RCA cables, IR extension and power plug into the 16 pin connector and run to the video player.
4. Plug the A/V RCA cable into the A/V input of the player. Plug the Y connector into the player and plug the IR extension into the Y connector.
5. At the OHM641, plug the IR extension and power cables supplied with the OHM641. Run these cables to the back of the video player. Plug the video RCA into the video output of the player. Plug the IR extension into the other leg of the Y connector. Tie all the power wires together. These wires will be run to the radio location.
6. Plug the audio RCA cable into the audio output of the player and run the audio RCA and main power cables to the radio location. Remove the radio and plug the audio RCA into the FM100S audio inputs.
7. Mount the switch for the FM100S and run its power wire to the radio location. The power and ground wires of the TTX001, video player, OHM641 and the FM100S can be joined and connected to the radio accessory and ground wires.
8. Plug the vehicle antenna into the antenna input of the FM100S. Plug the antenna output of the FM100S into the radio.
9. The FM 100S has a two position switch to select the modulation frequency. Pick the frequency that has the least amount of radio reception and set that frequency on the modulator and into a radio preset memory.

**Operation**

- Similar to a home system, the VDH9600 allow their auxiliary A/V inputs to loop through to their A/V outputs when they are not playing a video tape.
- Because the IR lines have been linked together, each component can be controlled by its respective remote control when pointed to the IR eye located on OHM641.
- Turn the vehicle ignition switch to the accessory position. Point the video player remote at the IR eye and press power to turn on the player. Point the remote (RC-300) at the IR eye and press power to turn on the tuner.
- You should now see the TV displayed on the monitor.
- Turn the modulator and the radio on and tune to the modulated frequency. Turn the FM100S's switch on. The audio can now be heard over the sound system. You can control the video player and the TV tuner by pointing their respective remotes at the IR eye in the monitor.

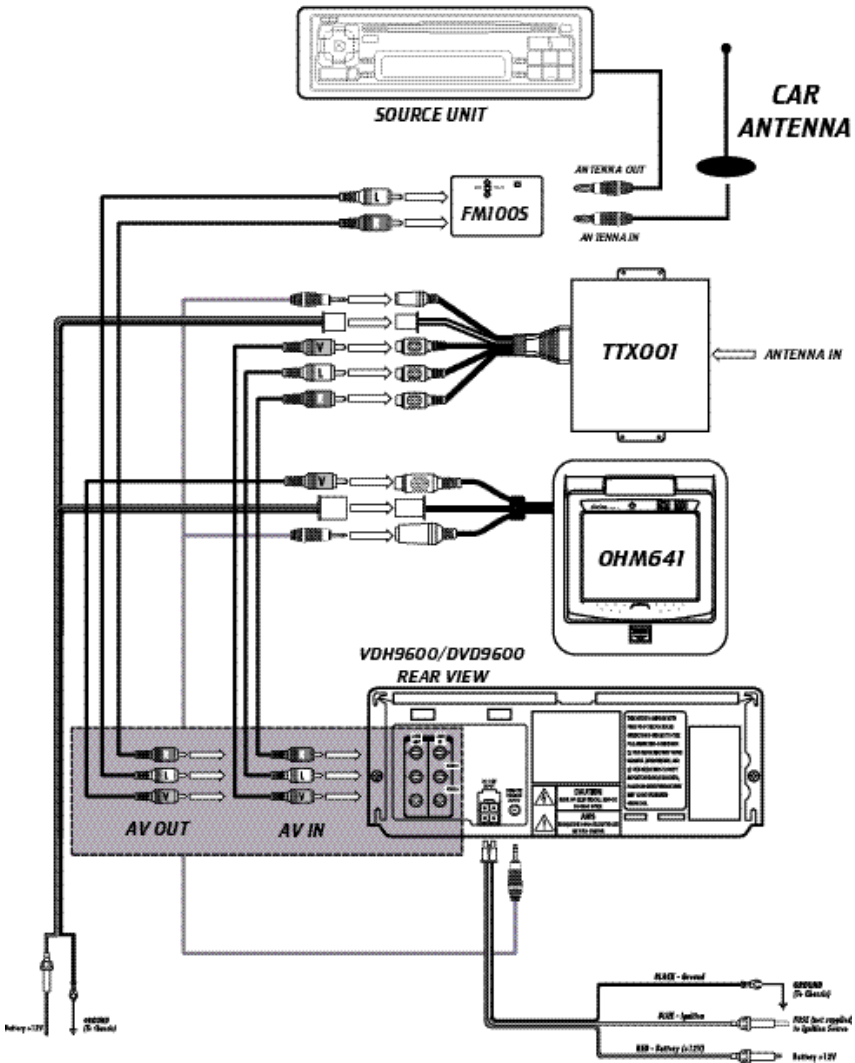


Figure 4- TTX001 with OHM641, VDH9600 and FM100S

**Stand alone with the OHM641 and the WH100**

1. Pick a location to mount the tuner. Avoid areas with excessive heat or moisture and mount the tuner. Plug the 16 pin to A/V output connector into the tuner.
2. Mount the TV antenna (ZCB-003 or equivalent) and plug into the tuner.
3. At the OHM641, plug in the video RCA, IR extension and power cables supplied with the OHM641 and run to the tuner. Plug the video RCA and IR extension into the tuner.
4. At the WH100 transmitter, plug in the audio RCAs and power connector and run the cables to the TV tuner. Plug the RCAs into the audio output of the tuner.
5. Tie all the ground wires to a good ground point. Connect all the power wires together and run to a fused accessory wire in the vehicle.

**Operation**

- Point the TV remote (RC-300) at the OHM641 and press power. You should now see the TV displayed on the monitor and can control the TV tuner functions with its remote.
- Turn on the headphones with its power switch to listen to the audio.

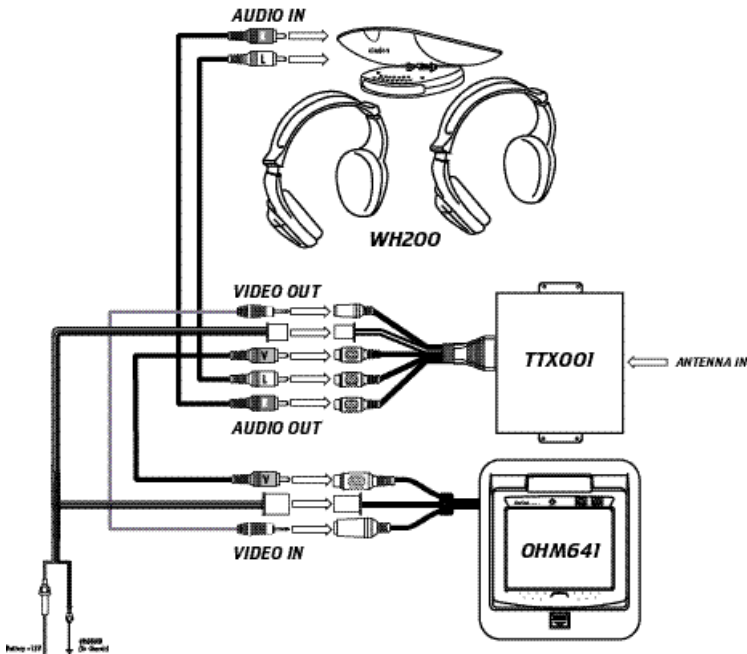


Figure 5- TTX001 with OHM641 and WH200



**REMOTE CONTROL BATTERY INSTALLATION**

- Insert 2 AAAbatteries into the compartment located on the back of the unit, observing the proper polarity.

**NOTES:**

- Each time you change the batteries, you must reprogram the channels.
- We suggest you use alkaline batteries; do not use rechargeable batteries.
- Always change all the batteries at the same time.

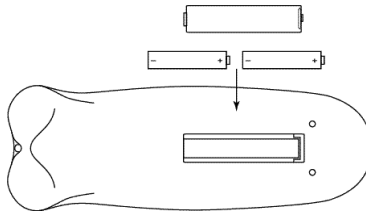
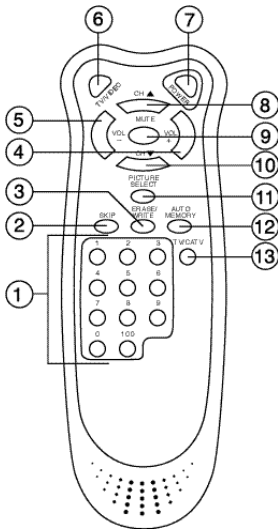


Figure 6- Remote Control Battery Installation

**REMOTE CONTROL OPERATION**

- To use the remote control, press the Power button to turn on the remote.
- Press the TV/VIDEO button to select the source to be controlled by the remote.
- The VOL(ume) +/- buttons and the MUTE button control the TV volume.



- ① Number Pad
- ② Skip
- ③ Erase/Write
- ④ Volume Up
- ⑤ Volume Down
- ⑥ TV/Video
- ⑦ Power
- ⑧ Channel Up
- ⑨ Mute
- ⑩ Channel Down
- ⑪ Picture Select
- ⑫ Auto Memory
- ⑬ TV/CATV

**REMOTE CONTROL**

Figure 7- Remote Control Operation

**TROUBLESHOOTING**

Before assuming malfunction of the unit, check the following:

**Problem:**

No power.

**Solution:**

- The fuse may be burned out. Replace the fuse with one of the same rating.
- The wiring is incomplete. Check the wire connections and connect them properly.

**Problem:**

The picture is unclear.

**Solution:**

- The reception condition is poor. This may be due to an insufficient signal arriving due to being in the shadow of mountains or buildings. Check again in a location exposed to a stronger signal.

**Problem:**

The picture is double or triple.

**Solution:**

- There is an interfering broadcast. The signal might be reflected from mountains or buildings. Check by changing location or direction.

**Problem:**

The picture has a flecked or lined pattern.

**Solution:**

- There may be effects from cars, trains, neon signs, or other interfering signals. Check by changing location.

**Problem:**

No sound.

**Solution:**

- (Only for FM modulator wiring) Check that the frequency of the vehicle stereo is matched (88.3 MHz or 88.7 KHz).

**Problem:**

A control does not function.

**Solution:**

- Incorrect setting of the position switch. Check whether the setting matches the details of the wiring.

**PRODUCTSPECS**

Power Source Voltage:	DC 11-15V
Power Consumption:	1.5Amax. (1.5Aor less)
Operation Temperature:	30 - 113 degrees F

**NOTES**



661 W. Redondo Beach Blvd.  
Gardena, CA 90247  
1-800-GO-CLARION  
[www.clarion-usa.com](http://www.clarion-usa.com)