

**Vacuum Cleaner
Instructions for use**

BKS 9316

BEKO

Please read this manual first!

Dear Customer,

We hope that your product which has been manufactured in modern facilities and passed through a strict quality control procedure will give you the best results.

Therefore, we advise you to read through this manual carefully before using your product and keep it for future reference.

This user manual will...

... help you use your machine in a fast and safe way.

- Please read the User Manual before installing and starting your machine.
- Particularly follow the instructions related to safety.
- Keep this User Manual within easy reach. You may need it in the future.
- Please read all additional documents supplied with this machine.

Please note that this User Manual may be applicable for several other models. Differences between models will be identified in the manual.



This product has been produced in environmentally friendly, modern facilities



Contents

1	Important Safety Instructions	2	5	Emptying The Dust Compartment	5
2	Technical Specifications	3	6	Cleaning	5
3	Functions Of Each Part	4	7	Storage	6
4	Unclogging The Hose	5	8	How To Use	6
9	Interchange of water filter system & SMS clotWh bag				9

1 Important Safety Instructions

• The mains voltage in the house must be the same as that of the appliance, which is specified on data plate at the bottom of the cleaner.

Otherwise the cleaner may be damaged.

• If the mains voltage does not suit to the cleaner, connect a 110/220 V 2.1 kVA transformer. The vacuum cleaner does not have to be connected to an earthed socket.

• Do not leave vacuum cleaner when plugged in. Turn off the switch and unplug the electrical cord when not in use and before servicing.

• The vacuum cleaner and other electrical appliances (e.g. receivers, mobile phones) may be affected when they are used nearby.

• Do not use the vacuum cleaner outdoors or on wet surfaces.

• Do not use the vacuum cleaner in horizontal position.

• Do not allow to be used as a toy.

Close attention is necessary when used by or near children.

• Do not use with damaged cord or plug. If vacuum cleaner is not working as it should, has been dropped, damaged, left outdoors, or dropped into water, return it to a service center before using.

• Do not pull or carry by cord, use cord as a handle, close a door on cord, or pull cord around sharp edges or corners. Do not run vacuum cleaner over cord. Keep cord away from heated surfaces.

• Do not unplug by pulling on cord.

To unplug, grasp the plug, not the cord.

• Do not handle plug or with wet hands.

• Do not put any object into openings. Do not use with any opening blocked; keep free of dust, lint, hair, and anything that may reduce airflow.

• Keep hair, loose clothing, fingers, and all parts of body away from openings and moving parts.

• Do not pick up anything that is burning or smoking, such as cigarettes, matches, or hot ashes.

• Do not use without dust bag or filter(s) in place.

• Turn off all controls before unplugging.

• Do not use to pick up flammable or combustible liquids such as gasoline, or use in areas where they may be present.

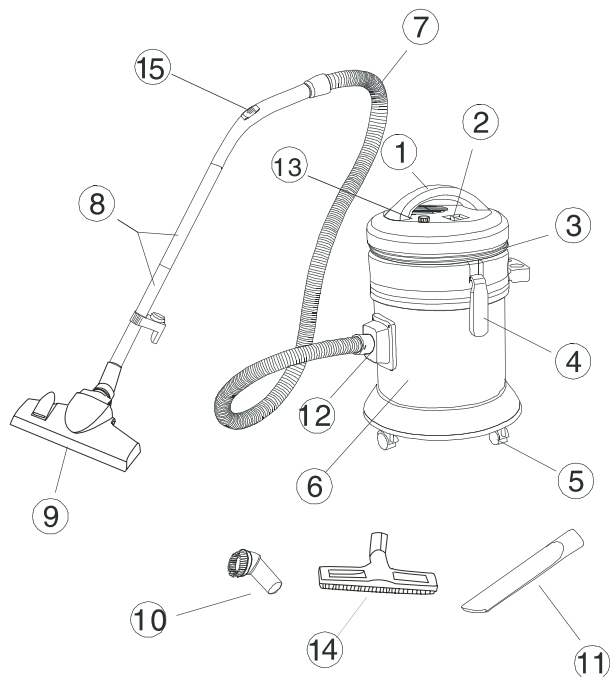
• Always turn off this appliance before connecting or disconnecting hose, nozzle or accessory tools.

• Hold plug when rewinding onto cord reel.

Do not allow plug to whip when rewinding.

• For household use only. Use vacuum cleaner only for its intended use as described in the instructions.

2 Technical Specifications



1 Handle

2 On/off button

3 Power cord

4 Clamp

5 Small wheel

6 Body

7 Hose

8 Tube

9 Floor brush

10 Small round nozzle

11 Crevice nozzle

12 Hose socket

13 Speed control knob

14 Wooden floor brush

15 Suction power regulator plate

Voltage: 220-240 V ~ 50-60HZ

Power: 1400Whom

3 Functions Of Each Part 1

1.The Switch

Press the ON side of the switch to start the motor.

To stop the motor,press the OFF side of the switch.

2.The Floor Nozzle

The two-way floor nozzle is with two positions.



FLOOR: For vacuuming wooden floors,linoleum or plastic covered floor.



RUG: For vacuuming rugs and carpets.



For vacuuming wooden floors,linoleum or plastic covered floor.



Use the crevice nozzle for corner or edge places. If the water is much on the floor, you could also use the long crevice nozzle to absorb.



Use the round nozzle for furniture, curtain, ceiling, etc.

3.Suction Control

• Turn the speed control knob to adjust the power & suction power.

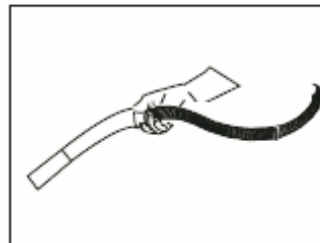
The power get minimum when turn the knob to “MIN”, and the power get maximum when turn the knob to “MAX”.

• Move the regulator plate on the hose handle to adjust the suction power. The suction power gets weak when opened, but normally it is used in closed condition.

4.The Blower

Use the blower to blow out dust from behind furniture.on bric-a-brac, inside radios and TVs.and to clean out hoses.

- Attach the hose to the exhaust outlet.
- Attach the crevice tool to the end of the hose.
- Press the ON side of the switch to start the motor.



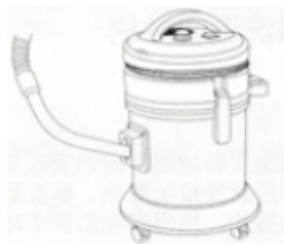
4 Unclogging The Hose

When the hose is clogged with dust, remove it in the following manner.

1. Pull off the hose, and insert the hose handle into the suction base.
2. Turn on the vacuum cleaner, and the clogged substances will be exsucted.

NOTE:

Do not use the hose without the handle in place. If the hose is used without the handle, the hose will bend excessively, causing it to break



5 Emptying The Dust Compartment

When suction power decreases, that means the dust compartment is full, turn off the motor, pull out the hose from the suction port of the main unit, and clean out the dirt in the following manner.

1. Remove the cloth filter/water filter system and clear out the dirt in the dust compartment.

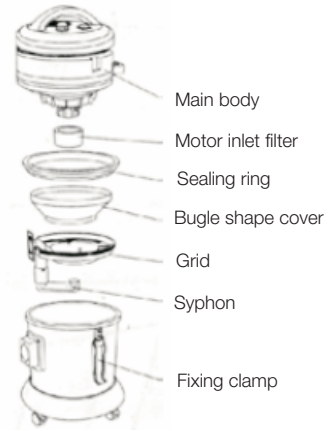
2. Put back the filter/water filter system to the previous position and place the top section to the dust compartment.

NOTE:

The switch and suction inlet in the unit should face the same direction.

6 Cleaning

1. Pull out the fixing clamp at two sides, remove the main body, and pull out the motor inlet filter.
2. Take out the bugle shape cover, grid & syphon(or SMS dust filter), clean Swash them. Pour out the dirty water/dust, and wash the dust barrel and it's components.
3. Pull out the outlet plate, wash & clean the outlet filters.
4. Wash all the dirty parts you think necessary (brush, tube, hose, etc) too.
5. After all the washed parts are dry, re-assemble all the parts correctly for next use.



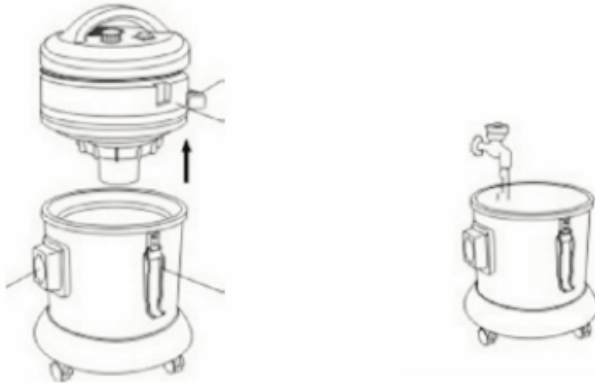
7 Storage

When vacuum cleaner is not in use, store attachments as shown in fig.



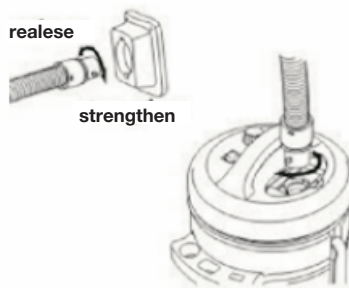
8 How To Use

Take this cleaner from the gift box after you get it.
Release the 2 sides clamp to unlock the top cover, then input some water in the dust bin no more than Max mark (no more than 2.5 L)



1 .Connect the hose and accessories:

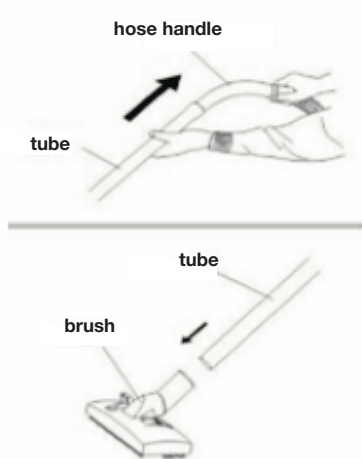
For suck, Insert the hose head into the “hose socket”, and then turn it to be lock for blow, take off the out-let frame, and connect the hose with the out-let socket



2.Connect the tube to the end of hose.

Then Connect different nozzle/brush to the tube for different cleaning purposes:

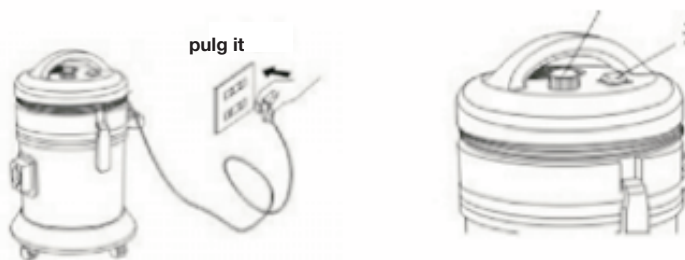
1. Normal floor brush for hard floor or carpet or any place is wet;
2. Wet floor brush for the wet place, even with much water;
- 3 .Small round nozzle or crevice nozzle for wall surface, corner, sofa, curtain or space between furniture, etc.



3. Turn on the machine:

Pull out the cord, then insert the plug into the power socket with conforms to that on the rating label for the power supply. Press the on/off button, then the machine could start working.

During the cleaning, you could change the power by turning the “speed regulator” button.



9 Interchange of water filter system & SMS cloth bag.

The vacuum cleaner is fixed with water filter system already when you buy it, you can use directly.

If you don't want to use water filter system, and you want to use normal SMS cloth bag, you should take out the sealing ring, bugle shape cover, grid & syphon, and fix the SMS cloth bag into the barrel. You can use after fix the main body & the clamps.