



**IMPORTANT:**  
Read Before Using

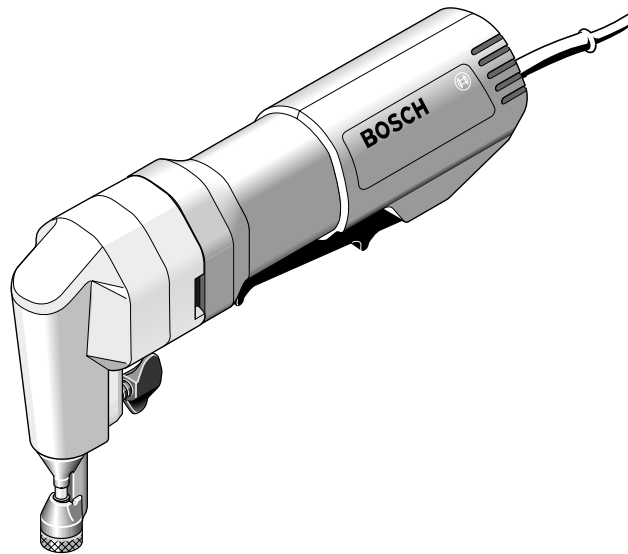
**IMPORTANT :**  
Lire avant usage

**IMPORTANTE:**  
Leer antes de usar



**Operating/Safety Instructions**  
**Consignes de fonctionnement/sécurité**  
**Instrucciones de funcionamiento y seguridad**

**1529B**



# BOSCH

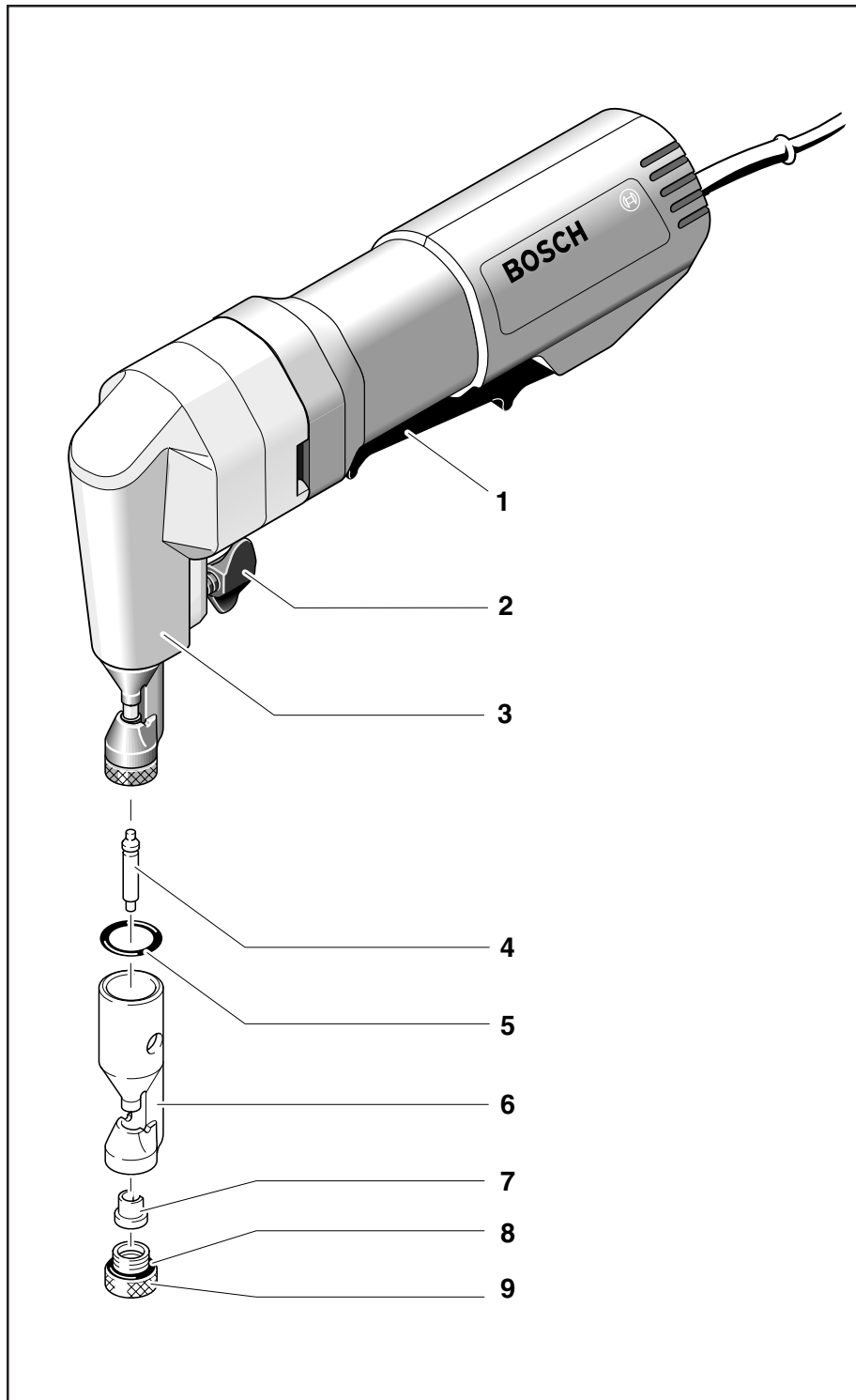
**Consumer Information**  
**Renseignements des consommateurs**  
**Información para el consumidor**

**Toll Free Number:    Appel gratuit :    Número de teléfono gratuito:**  
**1-877-BOSCH99 (1-877-267-2499) <http://www.boschtools.com>.**

**For English**  
**See page 3**

**Parlez-vous français?**  
**Voir page 9**

**¿Habla español?**  
**Ver página 16**



2



## Product Data - Corrugated Nibbler

Model number 1529B  
Identification number 0 601 529 2 . .

### Nibbler Capacities:

Material		Max. Sheet Thickness
Mild Steel 60,000 PSI	up to	18 Ga. (.048")
Most Alum. 36,000 PSI	up to	.080" (2mm)
Stainless 87,000 PSI	up to	20 Ga. (.036")

## Accessory Listing

Punch 2 608 639 027  
Die 2 608 639 028  
Carrying case

## Corrugated Nibbler Components

- |                         |                |
|-------------------------|----------------|
| 1. Paddle ON/OFF switch | 6. Die holder  |
| 2. Wing screw           | 7. Die         |
| 3. Housing              | 8. Rubber ring |
| 4. Punch                | 9. Knurled nut |
| 5. Sealing ring         |                |

**WARNING!** "READ ALL INSTRUCTIONS". Failure to follow the SAFETY RULES identified by the BULLET (•) symbols listed BELOW and other safety precautions, may result in serious personal injury. Keep these operating instructions with this product.

## GENERAL SAFETY RULES for all Power Tools

### Work Area

- KEEP WORK AREAS CLEAN. Cluttered areas and benches invite accidents.
- AVOID DANGEROUS ENVIRONMENT. Don't use power tools in damp or wet locations. Do not expose power tools to rain. Keep work area well lit.
- AVOID GASEOUS AREAS. Do not operate portable electric tools in explosive atmospheres in presence of flammable liquids or gases. Motors in these tools normally spark,

and the sparks might ignite fumes.

- KEEP CHILDREN AWAY. Do not let visitors contact tool or extension cord. All visitors should be kept away from work areas.

### Personal Safety

- GUARD AGAINST ELECTRIC SHOCK. Prevent body contact with grounded surfaces such as pipes, radiators, ranges and refrigerator enclosures. Rubber gloves and non-skid footwear are recommended when working outdoors, where damp or wet ground may be encountered. A Ground Fault Circuit Interrupter protected power line must be used for these conditions.
- DRESS PROPERLY. Do not wear loose clothing or jewelry. They can be caught in moving parts. Wear protective hair covering to contain long hair.
- USE SAFETY EQUIPMENT. WEAR SAFETY GOGGLES or glasses with side shields. Wear hearing protection during ex-



tended use of power tools and dust mask for dust operations.

- **STAY ALERT. USE COMMON SENSE.** Watch what you are doing. Do not operate tool when you are tired or under influence of drugs.
- **REMOVE ADJUSTING KEYS AND WRENCHES.** Form habit of checking to see that keys and adjusting wrenches are removed from tool before turning it on.
- **AVOID ACCIDENTAL STARTING.** Don't carry plugged in tool with finger on switch. Be sure the switch is OFF before being plugged in.
- **DON'T OVERREACH.** Keep proper footing and balance at all times.
- **BEFORE CONNECTING THE TOOL** to a power supply (receptacle, outlet, etc.) be sure the voltage supplied is the same as that specified on the tool's nameplate. A power supply with voltage greater than that specified for the tool can result in serious injury to the user - as well as damage to the tool. If in doubt, **DO NOT PLUG IN THE TOOL.** Using a power supply with voltage less than the nameplate rating is harmful to the motor.

"Volts AC" designated tools are for Alternating Current 50-60 Hz only. "Volts DC" designated tools are for Direct Current. Do not use AC designated tools with DC power supply. Do not use electronic speed controlled tools with DC power supply.

#### ***Tool Use and Care***

- **DON'T FORCE TOOL.** It will do the job better and safer at the rate for which it was designed.
- **USE RIGHT TOOL.** Don't force small tool or attachment to do the job of a heavy-duty tool. Don't use tool for purpose not intended - for example; don't use a circular saw for cutting tree limbs or logs.
- **SECURE WORK.** Use clamps or a vise to hold work. It's safer than using your hand and it frees both hands to operate the tool.
- **DON'T ABUSE CORD.** Never carry tool by cord or yank it to disconnect from receptacle. Keep cord from heat, oil, and sharp edges. Always keep cord away from the spinning blade, bits or any other moving part while the tool is in use.
- **OUTDOOR USE EXTENSION CORDS.**

When tool is used outdoors, use only extension cords suitable for use outdoors and marked with suffix W-A (for UL), or W (for CSA). Refer to section "Extension Cords", for proper cord use.

- **DISCONNECT TOOLS.** When not in use, before servicing, or when changing blades, bits, cutters, etc.
- **STORE IDLE TOOLS.** When not in use, tools should be stored in dry, high or locked up place - out of the reach of children.
- **DO NOT ALTER OR MISUSE TOOL.** These tools are precision built. Any alterations or modifications not specified is misuse and may result in a dangerous condition.
- **THE USE OF ANY ACCESSORIES** not specified in this manual may create a hazard.
- **MAINTAIN TOOLS WITH CARE.** Keep tools sharp and clean for better and safer performance. Follow instructions for lubricating and changing accessories. Inspect tool cords periodically and if damaged, have repaired by authorized service facility. Inspect extension cords periodically and replace if damaged. Keep handles dry, clean and free from oil and grease.
- **CHECK DAMAGED PARTS.** Before further use of the tool, a guard or other part that is damaged should be carefully checked to determine that it will operate properly and perform its intended function. Check for alignment of moving parts, binding of moving parts, breakage of parts, mounting, and any other conditions that may affect its operation. A guard or other part that is damaged should be promptly and properly repaired or replaced. Have defective switches replaced. Do not use tool if switch does not turn it on or off.
- **ALL REPAIRS, ELECTRICAL OR MECHANICAL,** should be attempted only by trained repairmen. Contact the nearest Bosch Factory Service Center, or Bosch Authorized Service Center or other competent repair center. Use only Bosch replacement parts, any other may create a hazard.

#### **Safety Rules for Nibblers**

- Always unplug the tool from the power source before changing accessories or making any adjustments.
- Always wear safety goggles or eye protection when using this tool.




- Wear leather gloves to protect hands from sharp metal edges and safety shoes to protect feet from sharp metal pieces.
- Periodically check tool fasteners for looseness, tighten as required.
- Do not cut material greater than the rated capacity of the nibbler.
- Secure the material being cut. Never hold small pieces in your hand or across legs.
- Do not use dull or damaged punch and dies or accessories not intended for a nibbler. Replace worn punches and dies immediately.
- Do not touch punch and die during use of the nibbler.
- Never place the tool down until the punch has come to a complete stop.

**⚠ WARNING** Some dust created by power sanding, sawing, grinding, drilling, and other construction activities contains chemicals known to cause cancer, birth defects or other reproductive harm. Some examples of these chemicals are:

- Lead from lead-based paints,
- Crystalline silica from bricks and cement and other masonry products, and
- Arsenic and chromium from chemically treated lumber.

Your risk from these exposures varies, depending on how often you do this type of work. To reduce your exposure to these chemicals: work in a well ventilated area, and work with approved safety equipment, such as those dust masks that are specially designed to filter out microscopic particles.

### Double Insulated Tools

• Double Insulation  is a design concept used in electric power tools which eliminates the need for the three wire grounded power cord and grounded power supply system. It is a recognized and approved system by Underwriter's Laboratories, CSA and Federal OSHA authorities.

**IMPORTANT:** Servicing of a tool with double insulation requires care and knowledge of the system and should be performed only by

a qualified service technician. **WHEN SERVICE IS REQUIRED USE ONLY IDENTICAL REPLACEMENT PARTS.**

**POLARIZED PLUGS:** If your tool is equipped with a polarized plug (one blade is wider than the other), this plug will fit in a polarized outlet only one way. If the plug does not fit fully in the outlet, reverse the plug. If it still does not fit, contact a qualified electrician to install the proper outlet. To reduce the risk of electric shock do not change the plug in any way.

### Extension Cords

- Replace damaged cords immediately. Use of damaged cords can shock, burn or electrocute.
- If an extension cord is necessary, a cord with adequate size conductors should be used to prevent excessive voltage drop, loss of power or overheating. The table below shows the correct size to use, depending on cord length and amperage rating on the tool's nameplate. If in doubt, use the next heavier gauge. Always use U.L. and CSA listed extension cords.

		Ampere Rating (shown on nameplate)					
		0-2.0	2.1-3.4	3.5-5.0	5.1-7.0	7.1-12.0	12.1-16.0
Cord Length	25'	18	18	18	18	16	14
	50'	18	18	16	16	14	12
	75'	18	18	16	14	12	10
	100'	18	16	14	12	10	
	150'	16	14	12	12	Wire Gauge	

Note: The smaller the gauge number, the larger the wire is in the cord.

**"SAVE THESE INSTRUCTIONS"**

### Operating the Tool

#### General Information

Following a few simple tips will reduce wear on the tool and the chance of injury to the user.

With the tool unplugged from the power supply and the ON/OFF Switch 1 in the "OFF" position, become familiar with handling the nibbler and learning the location of its parts.



Before running the nibbler, inspect the punch and die for excessive wear, and replace if necessary.

Do not exceed recommended capacities for this nibbler. Premature punch and die failure will occur when the nibbler is under- or over-gaged.

- Never start the nibbler with the punch and die in contact with the material being cut.

For clean and fast cuts, hold the nibbler so that the cutting head is at a right angle to the cutting path, with the body of the tool parallel to the corrugations. Move the cutting head in and out of the corrugations, constantly keeping the head at a right angle to the material being cut.

Feed the nibbler into the work with a minimum of pressure. Let the nibbler do the work. If the nibbler doesn't cut correctly, check for a dull punch or die. Dulling will be apparent as more pressure is required to feed the nibbler into the material. Burrs will also show along the cut edge. A harder material will dull the punch and die faster than a soft material.

Always direct the cord toward the rear, and away from the nibbler. Keep it away from sharp edges.

Secure or clamp small workpieces to be cut to prevent slippage.

Always use recommended lubricant for the material being cut. Lack of lubricant will shorten punch and die life.

#### ***Paddle Switch with "Lock-ON" feature***

The Paddle Switch enables the operator to control the switch functions of "ON/OFF" and "Lock-ON".

TO SWITCH TOOL "ON": Squeeze and hold the paddle lever.

TO SWITCH TOOL "OFF": Release pressure on the paddle lever. The switch is spring loaded and will return to "OFF" position automatically.

The "Lock-ON" feature, incorporated into the paddle switch, is a convenience for long operations.

TO LOCK SWITCH "ON": After switch has been activated, PULL the front portion of the paddle lever completely BACKWARD and release pressure on the paddle lever.

TO SWITCH TOOL "OFF": Squeeze the rear portion of paddle lever and then release the

paddle lever. The switch is spring loaded and will return to "OFF" position automatically.

#### ***Nibbling to a Scribed Line or with a Template***

Cuts may be executed easily by guiding the nibbler along a template or a straight edge.

A preboring of 21mm (.827") diameter is required for internal cut-outs.

When cutting, guide the unit with a slight thrust in the cutting direction. Cutting takes place during the downward movement of the punch. The chips are ejected downward through the knurled nut 9.

#### ***Rotating the Die holder***

By rotating the die holder 6, cutting can be performed at a right angle to the forward axis of the machine. Loosen the winged screw 2 and turn the die holder 6 (including the die 7 and knurled nut 9), to the right or left by 90°. Re-tighten the winged screw 2. The winged screw must engage one of the 3 holes in the die holder 6.

### **Tool Tips**

The corrugated nibbler is especially designed for working with corrugated sheets of both trapezoidal and rectangular profiles.

Always use both hands to guide the nibbler.

Do not use force; this will lead to premature die and punch wear.

Before running the nibbler, be sure the punch and die are properly lubricated. See "Punch and Die Lubrication" section.

Never start the nibbler with the punch and die in contact with the material being cut.

Always be sure material is resting on lower die during operation.

#### ***Changing Punches and Dies***

**CAUTION!** Unplug nibbler before changing punches and dies.

#### ***Replacing the punch***

Loosen the winged screw 2 and pull the die holder 6 (including the die 7 and knurled nut 9) out of the housing 3. Slide the punch 4 sideways out of the groove and remove downward.

Oil the new punch well, insert into the groove and center.



Slide the die holder **6** carefully over the punch and into the housing **3**. Re-tighten the winged screw **2**. The winged screw must engage one of the holes in the die holder **6**.

**NOTE: The punch cannot be reground.**

#### *Replacing the Die*

Unscrew the knurled nut **9** together with the rubber ring **8** out of the die holder **6** and remove the die **7**. Remove any rust material or cutting particles that may have collected in the die holder **6**.

Insert a new die **7** paying attention to the alignment of the flat surface on the side. Firmly tighten the knurled nut **9** against the resistance of the rubber ring **8**.

**NOTE: The die cannot be reground.**

#### *Punch and Die Lubrication*

Proper lubrication is essential to prolong punch and die life, and is achieved by occasionally fully submersing the punch and die in a small container of the proper lubricant.

To further ensure a smooth cut and long punch life, always lubricate the cutting path with cutting oil. When cutting steel or stainless steel, lubricate path of cut before starting work. When cutting aluminum, lubricate path of cut while making the cut. Since the punch cuts on the downstroke, the upper side of the cut should be lubricated.

When cutting steel, use a cutting oil or an SAE 30 weight oil.

When cutting aluminum, a mixture of 7 parts kerosene and 3 parts turpentine should be used.

Should punch jam, immediately switch off nibbler, re-lubricate punch and die, and remove tension from sheet.

**WARNING!** The use of any accessory or attachment other than recommended in this instruction manual or the BOSCH Catalog may present a risk of personal injury.

## Maintenance and Service

**WARNING!** Preventive maintenance performed by unauthorized personnel may result in misplacing of internal wires and components which could cause serious hazard. We recom-

mend that all tool service be performed at a Bosch Factory Service Center.

#### *Tool Lubrication*

Your Bosch tool has been properly lubricated and is ready for use. We recommend, that tools with gears be regreased with a special gear lubricant every time the brushes are changed.

#### *Carbon Brushes*

The brushes and commutator in your Bosch tool have been engineered for many hours of dependable service. To maintain peak efficiency of the motor, we recommend that every two to six months the brushes be examined. Only genuine Bosch replacement brushes specially designed for your tool should be used.

#### *Bearings*

After about 300-400 hours of operation, or at every second brush change, the bearings should be replaced at a Bosch Factory Service Center. Bearings which become noisy (due to heavy load or very abrasive material cutting) should be replaced at once to avoid overheating and motor failure.

#### *Cleaning*

**WARNING!** To avoid accidents, always disconnect the tool from the power supply before cleaning or performing any maintenance. The tool may be cleaned most effectively with compressed air. Always wear safety goggles when cleaning tools with compressed air.

Ventilation openings and switch levers must be kept clean and free of foreign matter. Do not attempt to clean by inserting pointed objects through openings.

**CAUTION!** Certain cleaning agents and solvents damage plastic parts. Some of these are: gasoline, carbon tetrachloride, chlorinated cleaning solvents, ammonia and household detergents that contain ammonia.



**LIMITED WARRANTY OF BOSCH PORTABLE AND  
BENCHTOP POWER TOOLS**

Robert Bosch Tool Corporation (“Seller”) warrants to the original purchaser only, that all BOSCH portable and benchtop power tools will be free from defects in material or workmanship for a period of one year from date of purchase. SELLER’S SOLE OBLIGATION AND YOUR EXCLUSIVE REMEDY under this Limited Warranty and, to the extent permitted by law, any warranty or condition implied by law, shall be the repair or replacement of parts, without charge, which are defective in material or workmanship and which have not been misused, carelessly handled, or misrepaired by persons other than Seller or Authorized Service Station. To make a claim under this Limited Warranty, you must return the complete portable or benchtop power tool product, transportation prepaid, to any BOSCH Factory Service Center or Authorized Service Station. For Authorized BOSCH Power Tool Service Stations, please refer to your phone directory.

THIS LIMITED WARRANTY DOES NOT APPLY TO ACCESSORY ITEMS SUCH AS CIRCULAR SAW BLADES, DRILL BITS, ROUTER BITS, JIGSAW BLADES, SANDING BELTS, GRINDING WHEELS AND OTHER RELATED ITEMS.

ANY IMPLIED WARRANTIES SHALL BE LIMITED IN DURATION TO ONE YEAR FROM DATE OF PURCHASE. SOME STATES IN THE U.S., SOME CANADIAN PROVINCES DO NOT ALLOW LIMITA-

TIONS ON HOW LONG AN IMPLIED WARRANTY LASTS, SO THE ABOVE LIMITATION MAY NOT APPLY TO YOU.

IN NO EVENT SHALL SELLER BE LIABLE FOR ANY INCIDENTAL OR CONSEQUENTIAL DAMAGES (INCLUDING BUT NOT LIMITED TO LIABILITY FOR LOSS OF PROFITS) ARISING FROM THE SALE OR USE OF THIS PRODUCT. SOME STATES IN THE U.S. AND SOME CANADIAN PROVINCES DO NOT ALLOW THE EXCLUSION OR LIMITATION OF INCIDENTAL OR CONSEQUENTIAL DAMAGES, SO THE ABOVE LIMITATION OR EXCLUSION MAY NOT APPLY TO YOU.

THIS LIMITED WARRANTY GIVES YOU SPECIFIC LEGAL RIGHTS, AND YOU MAY ALSO HAVE OTHER RIGHTS WHICH VARY FROM STATE TO STATE IN THE U.S., PROVINCE TO PROVINCE IN CANADA AND FROM COUNTRY TO COUNTRY.

THIS LIMITED WARRANTY APPLIES ONLY TO PORTABLE AND BENCHTOP ELECTRIC TOOLS SOLD WITHIN THE UNITED STATES OF AMERICA, CANADA AND THE COMMONWEALTH OF PUERTO RICO. FOR WARRANTY COVERAGE WITHIN OTHER COUNTRIES, CONTACT YOUR LOCAL BOSCH DEALER OR IMPORTER.

© Robert Bosch Tool Corporation 1800 W. Central Road  
Mt. Prospect, IL 60056 -2230





## Données concernant le produit — Grignoteuse de tôles ondulées

Numéro de modèle 1529B  
Numéro d'identification 0 601 529 2..

Capacités de la grignoteuse :

Matériau		Épaisseur max. de la tôle
Acier doux 60,000 lb/po <sup>2</sup>	jusqu'à	calibre 18 (,048")
La plupart des alum. 36,000 lb/po <sup>2</sup>	jusqu'à	,080" (2 mm)
Acier inox 87,000 lb/po <sup>2</sup>	jusqu'à	calibre 20 (,036")

## Liste des accessoires

Poinçon 2 608 639 027  
Filière 2 608 639 028  
Étui

## Composants de la grignoteuse de tôles ondulées

1. Interrupteur marche/arrêt à palette
2. Vis à oreilles
3. Boîtier
4. Poinçon
5. Anneau d'étanchéité
6. Porte-filière
7. Filière
8. Anneau en caoutchouc
9. Écrou moleté

**AVERTISSEMENT ! « LISEZ ATTENTIVEMENT TOUTES LES INSTRUCTIONS ».** Faute d'observer les RÈGLES DE SÉCURITÉ précédées d'un POINT NOIR (•) et les autres consignes du présent manuel risque de vous exposer à de graves blessures. Conservez ces instructions à portée de la main.

## RÈGLES GÉNÉRALES DE SÉCURITÉ pour tous les outils motorisés

### Lieu de travail

- TRAVAILLEZ DANS LA PROPRETÉ. Les endroits et les établis encombrés invitent les accidents.
- ÉVITEZ LES ENVIRONNEMENTS DANGEREUX. N'utilisez pas les outils électriques en lieux humides ou mouillés. N'exposez pas les outils motorisés à la pluie. Assurez-vous que l'endroit est adéquatement éclairé.

- ÉVITEZ LES ENVIRONNEMENTS GAZEUX. N'utilisez pas les outils électriques portatifs en atmosphères explosives en présence de liquides ou de gaz inflammables. Les moteurs de ces outils émettent normalement des étincelles qui risquent d'enflammer les vapeurs.
- GARE AUX ENFANTS. Ne permettez pas aux visiteurs de toucher à l'outil ou à la rallonge. Tenez-les à distance raisonnable du lieu de travail.

### Sécurité personnelle

- GARE AUX DÉCHARGES ÉLECTRIQUES. Évitez tout contact avec les surfaces mises à la terre telles que tuyaux, radiateurs, cuisinières et enceintes de réfrigérateurs. Pour le travail à l'extérieur, par temps humide ou sur sol mouillé, il est recommandé de porter des gants en caoutchouc et des chaussures à semelle antidérapante. Dans ce cas, vous devez utiliser une prise de courant protégée par disjoncteur de fuite à la terre.
- PORTEZ DES VÊTEMENTS CONVE-



NABLES. Ne portez pas de vêtements amples ni de bijoux car ils risquent de s'accrocher dans les pièces mobiles. De même, pour les cheveux longs, nous conseillons le port d'un serre-tête.

- **UTILISEZ L'ÉQUIPEMENT DE SÉCURITÉ. PORTEZ DES LUNETTES DE SÉCURITÉ** ou lunettes à coques latérales. Portez des protège-oreilles lors des travaux de longue durée et un masque protecteur si la situation l'exige.

- **SOYEZ VIGILANT, FAITES PREUVE DE DISCERNEMENT.** Agissez prudemment. N'utilisez pas l'outil quand vous êtes fatigué ou sous l'influence de stupéfiants.

- **ENLEVEZ LES CLÉS DE RÉGLAGE ET AUTRES.** Prenez l'habitude de voir à ce qu'elles soient mises de côté avant de mettre l'outil en marche.

- **ÉVITEZ LA MISE EN MARCHÉ ACCIDENTELLE.** Ne transportez pas un outil branché avec le doigt appuyé sur l'interrupteur. Assurez-vous que l'interrupteur est en position d'arrêt avant de le brancher.

- **TRAVAILLEZ AVEC APLOMB.** Tenez-vous bien d'aplomb et en équilibre en tout temps.

- **AVANT DE BRANCHER L'OUTIL** à une prise de courant, rassurez-vous que la tension correspond à celle spécifiée sur la plaquette emblématique de l'outil. Une tension supérieure à celle recommandée pour l'outil risque de blesser sérieusement l'utilisateur sans mentionner l'endommagement de l'outil. **NE BRANCHEZ PAS L'OUTIL** à moins que vous soyez absolument satisfait. Le raccordement à une source de courant dont la tension est inférieure à celle indiquée sur la plaquette endommagera le moteur.

Les outils portant la désignation « AC » ne s'alimentent que de courant alternatif de 50-60 Hz. Les outils portant la désignation « DC » s'alimentent de courant continu. N'enfichez pas d'outils c.a. à une source d'alimentation c.c. Ne branchez pas les outils à régulateur électronique de vitesse à une source d'alimentation c.c.

#### **Utilisation et entretien**

- **N'ABUSEZ PAS DE L'OUTIL.** Il est plus efficace et sûr au régime pour lequel il a été destiné.

- **UTILISEZ L'OUTIL APPROPRIÉ.** Ne

forcez pas un petit outil ou un accessoire à effectuer le travail d'un de plus grosse taille. N'utilisez pas l'outil à tort et à travers — par exemple — n'utilisez pas une scie circulaire pour tailler les branches d'arbres ou les bûches.

- **FIXEZ LE MATÉRIAU EN PLACE.** Utilisez des serre-joints ou un étau. C'est beaucoup plus sûr et vous pouvez manier l'outil des deux mains.

- **N'ABUSEZ PAS DU CORDON.** Ne transportez jamais l'outil par le cordon et ne tirez jamais sur ce dernier pour le débrancher. Protégez le cordon de la chaleur, de l'huile et des bords tranchants. Gardez toujours le cordon à bonne distance de la lame, des accessoires ou autres pièces mobiles de l'outil en marche.

- **CORDONS DE RALLONGE POUR EXTÉRIEUR.** Quand vous utilisez l'outil à l'extérieur, n'employez que des rallonges destinées à tel usage et portant les suffixes d'homologation, soit W-A (pour les UL) soit W (pour l'ACNOR). Voir le tableau « Dimensions des rallonges recommandées ».

- **DÉBRANCHEZ LES OUTILS.** Quand ils ne servent pas ; avant l'entretien ; avant de changer les lames, les mèches, les couteaux et autres.

- **RANGEZ LES OUTILS NE SERVANT PAS.** Suivant leur usage, les outils devraient être rangés dans un endroit sec, élevé ou sous clé — hors de la portée des enfants.

- **NE MODIFIEZ NI ABUSEZ DE L'OUTIL.** Ces outils sont extrêmement précis. Tout changement ou modification non recommandé constitue un mésusage risquant d'avoir de graves répercussions.

- **L'USAGE D'ACCESSOIRES AUTRES** que ceux recommandés dans le présent manuel peut être dangereux.

- **TRAITEZ LES OUTILS AVEC SOIN.** Maintenez-les bien propres et bien à point pour qu'ils fonctionnent en douceur. Observez les directives concernant le graissage et le changement des accessoires. Examinez périodiquement l'état des cordons de l'outil et, au besoin, confiez-en la réparation à un poste d'entretien agréé. Examinez périodiquement l'état des cordons de rallonge et remplacez-les au besoin. Maintenez les poignées sèches, propres, sans souillure d'huile et de graisse.

- **RECHERCHEZ LES PIÈCES ENDOM-**



MAGÉES. Avant d'utiliser l'outil, examinez soigneusement l'état des pièces telles que le protecteur pour vous assurer qu'elles fonctionnent correctement. Vérifiez l'alignement et la liberté de fonctionnement des pièces mobiles, l'état et le montage des pièces et toutes autres conditions susceptibles d'affecter défavorablement le fonctionnement. Il faut réparer ou remplacer toute pièce ou tout protecteur dont l'état laisse à désirer. Faites remplacer tout interrupteur défectueux. N'utilisez pas un outil dont l'interrupteur ne fonctionne pas correctement.

- TOUTES LES RÉPARATIONS, ÉLECTRIQUES OU MÉCANIQUES, devraient être exécutées par des techniciens compétents. Confiez-les au centre de service-usine Bosch le plus proche, à tout autre centre de service après-vente Bosch agréé ou, encore, à un poste d'entretien renommé. Pour vous éviter des ennuis, exigez toujours les pièces de rechange Bosch.

### Règles de sécurité pour grignoteuses

- Débranchez toujours l'outil de la source de courant avant de changer les accessoires ou de procéder à quelque réglage que ce soit.
- Portez toujours des lunettes de sécurité ou une protection oculaire en utilisant cet outil.
- Portez des gants en cuir pour vous protéger les mains contre les arêtes métalliques vives ainsi que des chaussures de sécurité pour vous protéger les pieds contre les pièces métalliques affilées.
- Vérifiez périodiquement les attaches de l'outil pour vous assurer qu'elles sont bien serrées et serrez au besoin.
- Ne coupez pas de matériaux plus grands que ce que le permet la grignoteuse.
- Assujettissez le matériau à couper. Ne tenez jamais les petites pièces dans votre main ou sur vos jambes.
- N'utilisez pas un poinçon et des matrices émoussés ou abîmés ou des accessoires non prévus pour une grignoteuse. Remplacez immédiatement les poinçons et les matrices usés.
- Ne touchez pas le poinçon et la matrice pendant que vous utilisez la grignoteuse.


- Ne posez jamais l'outil avant que le poinçon ne se soit complètement arrêté.

**AVERTISSEMENT** Les travaux à la machine tel que ponçage, sciage, meulage, perçage et autres travaux du bâtiment peuvent créer des poussières contenant des produits chimiques qui sont des causes reconnues de cancer, de malformation congénitale ou d'autres problèmes reproductifs. Ces produits chimiques sont, par exemple :

- Le plomb provenant des peintures à base de plomb,
- Les cristaux de silices provenant des briques et du ciment et d'autres produits de maçonnerie, et
- L'arsenic et le chrome provenant des bois traités chimiquement.

Le niveau de risque dû à cette exposition varie avec la fréquence de ces types de travaux. Pour réduire l'exposition à ces produits chimiques, il faut travailler dans un lieu bien ventilé et porter un équipement de sécurité approprié tel que certains masques à poussière conçus spécialement pour filtrer les particules microscopiques.

### Double isolation

- La double isolation  est utilisée dans les outils électriques pour éliminer le besoin de cordon d'alimentation avec prise de terre et de dispositif d'alimentation à prise de terre. Elle est homologuée par l'Underwriter's Laboratories, l'ACNOR et l'OSHA.

**IMPORTANT** : L'entretien d'un outil à double isolation exige la connaissance du système et la compétence d'un technicien qualifié. EN CAS D'ENTRETIEN, N'UTILISEZ QUE DES PIÈCES DE RECHANGE IDENTIQUES.

**FICHES POLARISÉES** : Si votre outil est équipé d'une fiche polarisée (une lame plus large que l'autre) elle ne s'enfiche que d'une manière dans une prise polarisée. Si la fiche n'entre pas à fond dans la prise, tournez-la d'un demi-tour. Si elle refuse encore d'entrer, demandez à un électricien qualifié d'installer une prise appropriée. Ne modifiez la fiche d'aucune façon.



## Rallonges

- Remplacez immédiatement toute rallonge endommagée. L'utilisation de rallonges endommagées risque de provoquer un choc électrique, des brûlures ou l'électrocution.
- En cas de besoin d'une rallonge, utilisez un cordon de calibre satisfaisant pour éviter toute chute de tension, perte de courant ou surchauffe. Le tableau ci-contre indique le calibre des rallonges recommandées en fonction de leur longueur et de l'intensité indiquée sur la plaque du constructeur de l'outil. En cas de doute, optez pour le prochain calibre inférieur. Utilisez toujours des rallonges homologuées par l'U.L. et l'ACNOR.

Longueur du cordon	Intensité nominale (indiquée sur la plaquette emblématique)					
	0- 2,0	2,1- 3,4	3,5- 5,0	5,1- 7,0	7,1- 12,0	12,1- 16,0
25'	18	18	18	18	16	14
50'	18	18	16	16	14	12
75'	18	18	16	14	12	10
100'	18	16	14	12	10	
150'	16	14	12	12	Calibre du fil	

Remarque : Plus le calibre est petit, plus le fil est gros.

« CONSERVEZ CES INSTRUCTIONS »

## Mode d'emploi

### Informations générales

L'observance de quelques conseils simples réduira l'usure sur l'outil et les possibilités de blessures pour l'utilisateur.

L'outil étant débranché de la source de courant et l'interrupteur MARCHE/ARRÊT 1 étant à la position d'ARRÊT, familiarisez-vous avec le maniement de la grignoteuse et apprenez l'emplacement de ses pièces.

Avant de mettre la grignoteuse en marche, inspectez le poinçon et la matrice pour y relever une usure excessive et remplacez au besoin.

Ne dépassez pas les capacités recommandées pour cette grignoteuse. L'utilisation de la grignoteuse en dehors de sa plage de fonctionnement provoquera une défaillance prématurée du poinçon et de la matrice.

- Ne mettez jamais la grignoteuse en marche avec le poinçon et la matrice en contact avec le matériau à couper.

Pour des coupes nettes et rapides, tenez la grignoteuse de manière à ce que la tête de coupe soit à angle droit par rapport à la trajectoire de coupe, le corps de l'outil étant parallèle aux ondulations. Déplacez la tête de coupe dans et hors des ondulations, en gardant constamment la tête à angle droit par rapport au matériau à couper.

Avancez la grignoteuse dans l'ouvrage en exerçant une pression minimale. Laissez la grignoteuse faire le travail. Si la grignoteuse ne coupe pas correctement, vérifiez si le poinçon ou la matrice sont émoussés. L'émoussement sera évident à mesure qu'une pression plus grande sera requise pour faire avancer la grignoteuse dans le matériau. Des bavures apparaîtront également le long du bord de coupe. Un matériau plus dur émoussera le poinçon et la matrice plus rapidement qu'un matériau doux.

Dirigez toujours le cordon vers l'arrière et à l'écart de la grignoteuse. Tenez-le à l'écart des arêtes vives.

Fixez ou serrez les petits ouvrages à couper pour les empêcher de glisser.

Utilisez toujours le lubrifiant recommandé pour le matériau à couper. L'absence de lubrifiant réduira la durée du poinçon et de la matrice.

### Interrupteur à palette avec dispositif de blocage en marche

L'interrupteur à palette permet à l'opérateur de contrôler les fonctions de mise en marche et à l'arrêt ainsi que de blocage en marche.

POUR METTRE L'OUTIL EN MARCHÉ :  
Pressez et tenez le levier à palette.

POUR METTRE L'OUTIL À L'ARRÊT :  
Relâchez la pression sur le levier à palette. L'interrupteur est à ressort et reviendra automatiquement à la position d'arrêt.

Le dispositif de blocage en marche, incorporé dans l'interrupteur à palette, est commode pour l'utilisation prolongée.

POUR BLOQUER L'INTERRUPTEUR EN MARCHÉ : Une fois l'interrupteur actionné, TIREZ la partie avant du levier à palette complètement VERS L'ARRIÈRE et relâchez la pression sur le levier à palette.



**POUR METTRE L'OUTIL À L'ARRÊT :** Pressez la partie arrière du levier à palette, puis relâchez le levier à palette. L'interrupteur est à ressort et reviendra automatiquement à la position d'arrêt.

#### ***Grignotage sur une ligne tracée ou à l'aide d'un gabarit***

Les coupes peuvent être réalisées facilement en guidant la grignoteuse le long d'un gabarit ou d'un bord droit. Un préperçage de 21 mm (0,827") de diamètre est requis pour les découpages internes. En coupant, guidez l'unité avec une légère poussée dans la direction de coupe. La coupe a lieu durant le mouvement vers le bas du poinçon. Les éclats sont éjectés vers le bas à travers l'écrou moleté 9.

#### ***Rotation du porte-filière***

En tournant le porte-filière 6, on peut couper à angle droit par rapport à l'axe avant de la machine. Desserrez la vis à oreilles 2 et tournez le porte-filière 6 (y compris la filière 7 et l'écrou moleté 9) vers la droite ou la gauche, de 90°. Resserrez la vis à oreilles 2. La vis à oreilles doit engager un des trois trous du porte-filière 6.

### **Conseils pratiques**

La grignoteuse de tôles ondulées est conçue spécialement pour le travail des tôles ondulées de profil trapézoïdal et rectangulaire.

Servez-vous toujours de vos deux mains pour guider la grignoteuse.

Ne forcez pas, ce qui provoquerait une usure prématurée de la matrice et du poinçon.

Avant de mettre la grignoteuse en marche, assurez-vous que le poinçon et la matrice sont bien lubrifiés. Reportez-vous à la section « Lubrification du poinçon et de la matrice ».

Ne mettez jamais la grignoteuse en marche alors que le poinçon et la matrice sont en contact avec le matériau à couper.

Assurez-vous toujours que le matériau repose sur la matrice inférieure durant le fonctionnement.

#### ***Remplacement des poinçons et des filières***

**ATTENTION !** Débranchez la grignoteuse

avant de changer les poinçons et les filières.

#### ***Remplacement du poinçon***

Desserrez la vis à oreilles 2 et tirez le porte-filière 6 (y compris la filière 7 et l'écrou moleté 9) hors du boîtier 3. Faites glisser le poinçon 4 latéralement hors de la rainure et retirez vers le bas.

Huilez le nouveau poinçon adéquatement, insérez dans la rainure et centrez.

Faites glisser le porte-filière 6 soigneusement par-dessus le poinçon et dans le boîtier 3. Resserrez la vis à oreilles 2. La vis à oreilles doit engager l'un des trous du porte-filière 6.

**REMARQUE :** Le poinçon ne peut être remeulé.

#### ***Remplacement de la filière***

Dévissez l'écrou moleté 9 avec l'anneau en caoutchouc 8 hors du porte-filière 6 et retirez la filière 7. Enlevez toute rouille ou particule de coupe qui peut s'être déposée dans le porte-filière 6.

Insérez une nouvelle filière 7 en accordant une attention particulière à l'alignement de la surface plate sur le côté. Serrez fermement l'écrou moleté 9 contre la résistance de l'anneau en caoutchouc 8.

**REMARQUE :** La filière ne peut être remeulée.

#### ***Lubrification du poinçon et de la matrice***

Une lubrification appropriée est essentielle pour prolonger la durée du poinçon et de la matrice, et cette lubrification se fait en immergeant complètement à l'occasion le poinçon et la matrice dans un petit récipient contenant le lubrifiant approprié.

Pour mieux assurer une coupe régulière et prolonger la durée du poinçon, lubrifiez toujours la trajectoire de coupe à l'aide d'huile de coupe. Pour couper l'acier ou l'acier inoxydable, lubrifiez la trajectoire de coupe avant de commencer le travail. Pour couper l'aluminium, lubrifiez la trajectoire de coupe tout en pratiquant la coupe. Étant donné que le poinçon coupe sur la course descendante, le côté supérieur de la coupe doit être lubrifié.



Pour couper l'acier, utilisez une huile de coupe ou une huile SAE 30.

Pour couper l'aluminium, un mélange de 7 parties de kérosène et de 3 parties de térébenthine doit être utilisé.

Au cas où le poinçon se gripperait, mettez immédiatement la grignoteuse à l'arrêt, relubrifiez le poinçon et la matrice, et délestez la tension de la tôle.

**AVERTISSEMENT !** L'utilisation de tout accessoire autre que ceux recommandés dans ce manuel d'instructions ou dans le catalogue BOSCH peut présenter un risque de blessures.

### Maintenance et entretien

**AVERTISSEMENT !** L'entretien préventif par des personnes non autorisées peut être dangereux. Il est recommandé que l'entretien et la réparation de nos outils soient confiés à un centre de service-usine Bosch.

#### *Graissage de l'outil*

Votre outil Bosch a été convenablement graissé et est prêt à utiliser. Il est recommandé que les outils à engrenages soient regraissés avec une graisse spéciale à l'occasion de tout remplacement de balais.

#### *Balais de charbon*

Les balais et le collecteur de votre outil ont été conçus pour donner plusieurs heures de fonctionnement sans aléas. Pour maintenir le moteur en forme, nous recommandons d'examiner les balais tous les deux à six mois. Vous ne devriez utiliser que les balais de rechange d'origine Bosch qui conviennent spécialement à votre outil.

#### *Roulements*

Après environ 300 à 400 heures d'utilisation, ou à tous les deux remplacements des balais, il faudrait confier le remplacement des roulements à un centre de service-usine Bosch. Les roulements qui sont devenus bruyants (à cause de sciage de matériaux très abrasifs ou de durs efforts) devraient être remplacés à l'instant pour éviter la surchauffe et la défaillance du moteur.

#### *Nettoyage*

**AVERTISSEMENT !** Pour éviter le risque d'accidents, débranchez toujours l'outil de la prise de courant avant de procéder au nettoyage ou à l'entretien. Vous pouvez très bien le nettoyer à l'air comprimé. Dans ce cas, portez toujours des lunettes de sécurité.

Les prises d'air et les leviers d'interrupteur doivent être maintenus propres et exempts de corps étrangers. Ne tentez pas de les nettoyer en insérant des objets pointus à travers les ouvertures.

**AVERTISSEMENT !** Certains produits de nettoyage et dissolvants dont la gazoline, le tétrachlorure de carbone, les nettoyeurs chlorés, l'ammoniaque et les détergents ménagers contenant de l'ammoniaque peuvent abîmer les pièces en plastique.

## GARANTIE LIMITÉE DES OUTILS ÉLECTRIQUES PORTATIFS ET D'ÉTABLI BOSCH

Robert Bosch Tool Corporation (le « vendeur ») garantit à l'acheteur initial seulement que tous les outils électriques portatifs et d'établi BOSCH seront exempts de vices de matériaux ou d'exécution pendant une période d'un an depuis la date d'achat. LA SEULE OBLIGATION DU VENDEUR ET LE SEUL RECOURS DE L'ACHETEUR sous la présente garantie limitée, et en autant que la loi le permette sous toute garantie ou condition implicite qui en découlerait, sera l'obligation de remplacer ou réparer gratuitement les pièces défectueuses matériellement ou comme fabrication, pourvu que lesdites déficiences ne soient pas attribuables à un usage abusif ou à quelque réparation bricolée par quelqu'un d'autre que le vendeur ou le personnel d'une station-service agréée. Pour présenter une réclamation en vertu de cette garantie limitée, vous devez renvoyer l'outil électrique portatif ou d'établi complet, port payé, à tout centre de service agréé ou centre de service usine. Veuillez consulter votre annuaire téléphonique pour les adresses.

LA PRÉSENTE GARANTIE NE S'APPLIQUE PAS AUX ACCESSOIRES TELS QUE LAMES DE SCIES CIRCULAIRES, MÈCHES DE PERCEUSES, FERS DE TOUPIES, LAMES DE SCIES SAUTEUSES, COURROIES DE PONÇAGE, MEULES ET AUTRES ARTICLES DU GENRE.

TOUTE GARANTIE IMPLICITE SERA LIMITÉE COMME DURÉE À UN AN À COMPTER DE LA DATE D'ACHAT. CERTAINS ÉTATS AMÉRICAINS, CERTAINES PROVINCES CANADIENNES N'ADMETTANT PAS LE PRINCIPE DE LA LIMITATION DE LA DURÉE DES

GARANTIES IMPLICITES, IL EST POSSIBLE QUE LES LIMITATIONS CI-DESSUS NE S'APPLIQUENT PAS À VOTRE CAS.

EN AUCUN CAS LE VENDEUR NE SAURAIT ÊTRE TENU POUR RESPONSABLE DES INCIDENTS OU DOMMAGES INDIRECTS (INCLUANT, MAIS NE SE LIMITANT PAS AUX PERTES DE PROFITS) CONSÉCUTIFS À LA VENTE OUL'USAGE DE CE PRODUIT. CERTAINS ÉTATS AMÉRICAINS ET CERTAINES PROVINCES CANADIENNES N'ADMETTANT PAS LE PRINCIPE DE LA LIMITATION NI L'EXCLUSION DES DOMMAGES INDIRECTS ET CONSÉQUENTIELS, IL EST POSSIBLE QUE LES LIMITATIONS OU EXCLUSIONS CI-DESSUS NE S'APPLIQUENT PAS À VOTRE CAS.

LA PRÉSENTE GARANTIE VOUS ACCORDE DES DROITS BIEN DÉTERMINÉS, Y COMPRIS POSSIBLEMENT CERTAINS DROITS VARIABLES DANS LES DIFFÉRENTS ÉTATS AMÉRICAINS, PROVINCES CANADIENNES.

CETTE GARANTIE LIMITÉE NE S'APPLIQUE QU'AUX OUTILS ÉLECTRIQUES PORTATIFS ET D'ÉTABLI VENDUS AUX ÉTATS-UNIS D'AMÉRIQUE, AU CANADA ET AU COMMONWEALTH DE PORTORICO. POUR COUVERTURE DE GARANTIE DANS LES AUTRES PAYS, CONTACTEZ VOTRE IMPORTATEUR OU REVENDEUR BOSCH LOCAL.

Exportado por: Robert Bosch Tool Corporation  
Mt. Prospect, IL 60056 -2230, E.U.A.



## Datos del producto — Recortadora de chapa corrugada

Modelo número 1529B  
 Número de identificación 0 601 529 2..

Capacidad de la recortadora de chapa:

Material		Grosor máximo de chapa
Acero suave 60,000 PSI	hasta	Calibre 18 (.048")
Casi todo el alum. 36,000 PSI	hasta	.080" (2mm)
Acero inoxidable 87,000 PSI	hasta	Calibre 20 (.036")

## Lista de accesorios

Punzón 2 608 639 027  
 Troquel 2 608 639 028  
 Estuche de transporte

## Componentes de la recortadora de chapa corrugada

1. Interruptor de paleta "ON/OFF" (de encendido y apagado)
2. Tornillo de mariposa
3. Caja protectora
4. Punzón
5. Anilla de sellado
6. Portatroquel
7. Troquel
8. Anilla de goma
9. Tuerca estriada

**!ADVERTENCIA!** "LEA TODAS LAS INSTRUCCIONES". El incumplimiento de las NORMAS DE SEGURIDAD identificadas por los símbolos del PUNTO NEGRO (●) que se indican A CONTINUACION y otras precauciones de seguridad puede dar lugar a lesiones personales graves. Conserve estas instrucciones de funcionamiento con este producto.

### NORMAS GENERALES DE SEGURIDAD

para todas las herramientas mecánicas

#### Area de trabajo

- MANTENGA LIMPIAS LAS AREAS DE TRABAJO. Las áreas y mesas desordenadas invitan a que se produzcan accidentes.
- EVITE LOS ENTORNOS PELIGROSOS. No utilice herramientas mecánicas en lugares húmedos o mojados. No exponga las herramientas mecánicas a la lluvia. Mantenga el área de trabajo bien iluminada.

- EVITE LAS AREAS DE GASES. No utilice herramientas eléctricas portátiles en atmósferas explosivas en presencia de líquidos o gases inflamables. Los motores de estas herramientas normalmente producen chispas y las chispas pueden dar lugar a la ignición de vapores.
- MANTENGA ALEJADOS A LOS NIÑOS. No permita que los visitantes toquen las herramientas o el cordón de extensión. Todos los visitantes deben mantenerse alejados del área de trabajo.

#### Seguridad personal

- PROTEJASE CONTRA LAS SACUDIDAS ELECTRICAS. Evite el contacto del cuerpo con las superficies conectadas a tierra tales como tuberías, radiadores, cocinas y refrigeradores. Se recomiendan guantes de caucho y calzado antideslizante cuando se trabaja a la intemperie, donde se puede encontrar terreno húmedo o mojado. En estas condiciones se debe utilizar una línea de energía protegida con un Interruptor de circuito para fallos de la conexión a tierra.





- **VISTASE ADECUADAMENTE.** No se ponga ropa suelta ni joyas. Pueden quedar atrapadas en las piezas móviles. Use cubiertas protectoras para el pelo a fin de sujetar el pelo largo.

- **UTILICE EQUIPO DE SEGURIDAD.** USE GAFAS DE SEGURIDAD o lentes con protectores laterales. Utilice protección en los oídos cuando use las herramientas mecánicas mucho rato y una máscara contra el polvo para operaciones que generan polvo.

- **MANTENGASE ALERTA. USE EL SENTIDO COMUN.** Fíjese en lo que está haciendo. No utilice la herramienta cuando está cansado o bajo la influencia de medicamentos.

- **QUITE LAS LLAVES DE AJUSTE Y LAS LLAVES DE TUERCA.** Forme el hábito de asegurarse de que las llaves de ajuste y de tuerca se han quitado de la herramienta antes de encenderla.

- **EVITE EL ARRANQUE ACCIDENTAL.** No lleve la herramienta enchufada con el dedo en el interruptor. Asegúrese de que el interruptor está en la posición OFF (desconectado) antes de enchufar.

- **NO INTENTE ALCANZAR DEMASIADO LEJOS.** Mantenga una posición y un equilibrio adecuados en todo momento.

- **ANTES DE CONECTAR LA HERRAMIENTA** a una fuente de energía (caja tomacorriente, tomacorriente, etc.), asegúrese de que el voltaje suministrado es el mismo que el que se indica en la placa del fabricante de la herramienta. Una fuente de energía con un voltaje superior al especificado para la herramienta puede ocasionar graves lesiones al usuario — así como daños a la herramienta. En caso de duda, **NO ENCHUFE LA HERRAMIENTA.** La utilización de una fuente de energía con un voltaje inferior a la capacidad nominal indicada en la placa del fabricante es perjudicial para el motor.

Las herramientas designadas “Volts AC” son para corriente alterna de 50-60 Hz solamente. Las herramientas designadas “Volts DC” son para corriente continua. No utilice herramientas designadas AC con una fuente de energía DC. No utilice herramientas de velocidad controlada electrónicamente con una fuente de energía DC.

### *Utilización y cuidado de las herramientas*

- **NO FUERCE LA HERRAMIENTA.** La herramienta trabajará mejor y con más seguridad a la capacidad para la cual fue diseñada.

- **UTILICE LA HERRAMIENTA ADECUADA.** No fuerce una herramienta pequeña o un accesorio pequeño a realizar el trabajo de una herramienta pesada. No utilice la herramienta para funciones para las cuales no fue diseñada — por ejemplo, no use una sierra circular para cortar ramas o troncos de árboles.

- **FIJE LA PIEZA DE TRABAJO.** Utilice abrazaderas o un tornillo de carpintero para sujetar la pieza de trabajo. Es más seguro que utilizar la mano y libera ambas manos para manejar la herramienta.

- **NO ABUSE DEL CORDON.** Nunca lleve la herramienta por el cordón ni tire de él para desconectarlo del tomacorriente. Proteja el cordón del calor, el aceite y los bordes afilados. Mantenga siempre el cordón alejado de la hoja cuando esté girando, de las brocas o de cualquier otra pieza móvil durante la utilización de la herramienta.

- **UTILICE CORDONES DE EXTENSION PARA USO A LA INTEMPERIE.** Cuando la herramienta se utiliza a la intemperie, use únicamente cordones de extensión adecuados para la utilización a la intemperie y marcados con el sufijo W-A (para UL) o W (para la CSA). Consulte la sección “Cordones de extensión” para la utilización del cordón adecuado.

- **DESCONECTE LAS HERRAMIENTAS.** Cuando no se estén utilizando, antes del servicio de ajustes y reparaciones o al cambiar hojas, brocas, cortadores, etc.

- **GUARDE LAS HERRAMIENTAS QUE NO ESTA USANDO.** Cuando las herramientas no se estén utilizando, deberán guardarse en un lugar seco, alto o con cierre — fuera del alcance de los niños.

- **NO ALTERE NI HAGA USO INCORRECTO DE LA HERRAMIENTA.** Estas herramientas están fabricadas con precisión. Cualquier alteración o modificación no especificada constituye un uso incorrecto y puede dar lugar a una situación peligrosa.

- **LA UTILIZACION DE CUALQUIER ACCESORIO** no especificado en este manual puede constituir un peligro.

- **MANTENGA LAS HERRAMIENTAS**



CON CUIDADO. Conserve las herramientas afiladas y limpias para que funcionen mejor y con más seguridad. Siga las instrucciones de lubricación y de cambio de accesorios. Inspeccione periódicamente los cordones de las herramientas y si están dañados hágalos reparar por un centro de servicio autorizado. Inspeccione periódicamente los cordones de extensión y sustitúyalos si están dañados. Mantenga los mangos secos, limpios y libres de aceite y grasa.

- **REVISE LAS PIEZAS DAÑADAS.** Antes de volver a utilizar la herramienta, una protección u otra pieza que esté dañada deberá revisarse cuidadosamente para determinar que funcionará adecuadamente y que realizará la función para la cual está diseñada. Verifique la alineación de las piezas móviles, la sujeción de las piezas móviles, la ruptura de piezas, el montaje y cualquier otra situación que pueda afectar su funcionamiento. Un protector o cualquier otra pieza que presenta daños se debe reparar o sustituir inmediata y adecuadamente. Haga que cambien los interruptores defectuosos. No utilice la herramienta si el interruptor no la enciende o apaga.

- **TODAS LAS REPARACIONES, ELECTRICAS O MECANICAS,** deben ser realizadas únicamente por técnicos de reparación capacitados. Póngase en contacto con el Centro de servicio de fábrica Bosch más próximo o con el Centro de servicio Bosch autorizado más próximo o con otro centro de reparaciones competente. Utilice piezas de repuesto Bosch únicamente, cualquier otra puede constituir un peligro.

### Normas de seguridad para recortadoras de chapa

- Desenchufe siempre la herramienta de la fuente de energía antes de cambiar accesorios o realizar ajustes.
- Use siempre gafas de seguridad o protección de los ojos al utilizar esta herramienta.
- Use guantes de cuero para protegerse las manos contra los bordes metálicos afilados y zapatos de seguridad para protegerse los pies contra pedazos de metal afilados.
- Compruebe periódicamente las piezas de fijación de la herramienta para ver si están flojas y apriételas según se requiera.
- No corte material más grande que la capacidad

nominal de la recortadora de chapa.


- Fije el material que se esté cortando. Nunca tenga piezas pequeñas en la mano ni sobre las piernas.
- No use un punzón y troqueles desafilados o dañados, o accesorios que no estén diseñados para una recortadora de chapa. Cambie los punzones y troqueles desgastados inmediatamente.
- No toque el punzón y el troquel durante la utilización de la recortadora de chapa.
- Nunca deje la herramienta en ningún sitio hasta que el punzón se haya detenido por completo.

**ADVERTENCIA** Cierta polvos generados por el lijado, aserrado, amolado y taladrado mecánicos, y por otras actividades de construcción, contienen agentes químicos que se sabe que causan cáncer, defectos de nacimiento u otros daños sobre la reproducción. Algunos ejemplos de estos agentes químicos son:

- Plomo de pinturas a base de plomo,
- Sílice cristalina de ladrillos y cemento y otros productos de mampostería, y
- Arsénico y cromo de madera tratada químicamente.

Su riesgo por causa de estas exposiciones varía, dependiendo de con cuánta frecuencia realice este tipo de trabajo. Para reducir su exposición a estos agentes químicos: trabaje en un área bien ventilada y trabaje con equipo de seguridad aprobado, como por ejemplo máscaras antipolvo que estén diseñadas especialmente para impedir mediante filtración el paso de partículas microscópicas.

### Herramientas con aislamiento doble

- El aislamiento doble  es un concepto de diseño utilizado en las herramientas mecánicas eléctricas que elimina la necesidad de un cable de energía de tres hilos conectado a tierra y de un sistema de fuente de energía conectado a tierra. Es un sistema reconocido y aprobado por Underwriter's Laboratories, la CSA y las autoridades federales de la OSHA.

**IMPORTANTE:** El servicio de ajustes y reparaciones de una herramienta con aislamiento



to doble requiere cuidado y conocimiento del sistema y deberá ser realizado únicamente por un técnico de servicio competente. CUANDO SE REQUIERA SERVICIO DE AJUSTES Y REPARACIONES, UTILICE UNICAMENTE PIEZAS DE REPUESTO IDENTICAS.

**ENCHUFES POLARIZADOS.** Si su herramienta está equipada con un enchufe polarizado (una terminal es más ancha que la otra), este enchufe entrará en un tomacorriente polarizado solamente de una manera. Si el enchufe no entra por completo en el tomacorriente, déle la vuelta. Si sigue sin entrar, póngase en contacto con un electricista competente para instalar el tomacorriente adecuado. Para reducir el riesgo de sacudidas eléctricas, no haga ningún tipo de cambio en el enchufe.

### Cordones de extensión

- Sustituya los cordones dañados inmediatamente. La utilización de cordones dañados puede causar “shock”, quemar o electrocutar.
- Si se necesita un cordón de extensión, se debe utilizar un cordón con conductores de tamaño adecuado para prevenir caídas de tensión excesivas, pérdidas de potencia o sobrecalentamiento. La tabla que se presenta a continuación muestra el tamaño correcto a utilizar, según la longitud del cordón y la capacidad nominal en amperios indicada en la placa del fabricante de la herramienta. En caso de duda, utilice la medida más gruesa siguiente. Utilice siempre cordones de extensión catalogados por U.L. y la CSA.

Longitud del cordón	Capacidad nominal en amperios (mostrada en la placa del fabricante)					
	0-2.0	2.1-3.4	3.5-5.0	5.1-7.0	7.1-12.0	12.1-16.0
25'	18	18	18	18	16	14
50'	18	18	16	16	14	12
75'	18	18	16	14	12	10
100'	18	16	14	12	10	calibre de alambre
150'	16	14	12	12		

Nota: Cuanto más pequeño es el número de calibre, más grueso es el cordón.

**“CONSERVE ESTAS INSTRUCCIONES”**

### Funcionamiento de la herramienta

#### Información general

El seguir unos cuantos consejos sencillos reducirá el desgaste de la herramienta y la posibilidad de lesiones del usuario.

Con la herramienta desenchufada de la fuente de energía y el interruptor “ON/OFF” (de encendido y apagado) **1** en la posición “OFF” (apagado), familiarícese con el manejo de la recortadora de chapa y apréndase la ubicación de sus partes.

Antes de poner en marcha la recortadora de chapa, inspeccione el punzón y el troquel para ver si se ha producido un desgaste excesivo y cámbielos si es necesario.

No exceda la capacidad recomendada para esta recortadora de chapa. El fallo prematuro del punzón y del troquel se producirá cuando la recortadora de chapa se utiliza para material de un calibre inferior o superior al recomendado.

- Nunca arranque la recortadora de chapa con el punzón y el troquel en contacto con el material que se esté cortando.

Para lograr cortes mejor hechos y rápidos, sujete la recortadora de chapa de manera que la cabeza de corte se encuentre en ángulo recto respecto a la trayectoria de corte, con el cuerpo de la herramienta paralelo a las corrugaciones. Mueva la cabeza de corte hacia adentro y hacia afuera de las corrugaciones, manteniendo constantemente la cabeza en ángulo recto respecto al material que se esté cortando.

Haga avanzar la recortadora de chapa por la pieza de trabajo con una presión mínima. Deje que la herramienta haga el trabajo. Si la recortadora de chapa no corta correctamente, compruebe si el punzón o el troquel están desafilados. El desafilado será evidente cuando se requiera más presión para hacer avanzar la recortadora de chapa por el material. También aparecerán rebabas a lo largo del borde cortado. Un material más duro desafilará el punzón y el troquel más deprisa que un material blando.

Dirija siempre el cordón hacia la parte posterior y alejándose de la recortadora de chapa. Manténgalo alejado de bordes afilados.

Fije o sujete con abrazadera las piezas de trabajo



pequeñas que se van a cortar para evitar que se produzca resbalamiento.

Use siempre un lubricante recomendado para el material que se esté cortando. La falta de lubricante reducirá la vida del punzón y del troquel.

### ***Interruptor de paleta con dispositivo de "Fijación en ON"***

El interruptor de paleta permite al operador controlar las funciones del interruptor de "ON/OFF" (de encendido y apagado) y de "Fijación en ON".

**PARA ENCENDER LA HERRAMIENTA (POSICION "ON"):** Apriete y sujete la palanca de paleta.

**PARA APAGAR LA HERRAMIENTA (POSICION "OFF"):** Reduzca la presión sobre la palanca de paleta. El interruptor está activado por resorte y volverá a la posición "OFF" (apagado) automáticamente.

El dispositivo de "Fijación en ON", incorporado al interruptor de paleta, es práctico para operaciones prolongadas.

**PARA FIJAR EL INTERRUPTOR EN "ON" (ENCENDIDO):** Después de que se haya activado el interruptor, TIRE de la parte delantera de la palanca de paleta completamente HACIA ATRAS y deje de presionar la palanca de paleta.

**PARA APAGAR LA HERRAMIENTA (POSICION "OFF"):** Apriete la parte de atrás de la palanca de paleta y luego suelte la palanca de paleta. El interruptor está activado por resorte y volverá a la posición "OFF" (apagado) automáticamente.

### ***Recorte de chapa siguiendo una línea marcada o con una plantilla***

Los cortes se pueden realizar fácilmente guiando la recortadora de chapa a lo largo de una plantilla o de una regla recta.

Se requiere un diámetro de perforación previa de 21mm (0.827") para cortes internos.

Al cortar, guíe la unidad con un ligero empuje en el sentido de corte. El corte tiene lugar durante el movimiento del punzón hacia abajo. Las virutas se expulsan hacia abajo a través de la tuerca estriada 9.

### ***Giro del portatroquel***

Al girar el portatroquel 6, el corte se puede realizar a un ángulo recto respecto al eje delantero de la máquina. Afloje el tornillo de mariposa 2 y gire el portatroquel 6 (incluyendo el troquel 7 y la tuerca estriada 9) hacia la derecha o hacia la izquierda 90°. Vuelva a apretar el tornillo de mariposa 2. El tornillo de mariposa debe acoplarse en uno de los 3 agujeros del portatroquel 6.

### **Consejos para la herramienta**

La recortadora de chapa corrugada está diseñada especialmente para trabajar con chapas corrugadas de perfiles tanto trapezoidales como rectangulares.

Use siempre ambas manos para guiar la recortadora de chapa.

No ejerza fuerza; esto llevará a un desgaste prematuro del troquel y del punzón.

Antes de hacer funcionar la recortadora de chapa, asegúrese de que el punzón y el troquel estén lubricados adecuadamente. Vea la sección "Lubricación del punzón y del troquel".

Nunca arranque la recortadora de chapa con el punzón y el troquel en contacto con el material que se esté cortando.

Asegúrese siempre de que el material esté apoyado en el troquel inferior durante la operación.

### ***Cambio de punzones y troqueles***

**¡PRECAUCION!** Desenchufe la recortadora de chapa antes de cambiar los punzones y los troqueles.

### ***Cambio del punzón***

Afloje el tornillo de mariposa 2 y tire del portatroquel 6 (incluyendo el troquel 7 y la tuerca estriada 9) hasta sacarlo de la caja protectora 3.

Deslice el punzón 4 lateralmente hacia afuera de la ranura y quítelo hacia abajo.

Aceite bien el nuevo punzón, introdúzcalo en la ranura y céntralo.

Deslice el portatroquel 6 cuidadosamente sobre el punzón y hacia el interior de la caja protectora 3. Vuelva a apretar el tornillo de mariposa 2. El



tornillo de mariposa debe acoplarse en uno de los agujeros del portatroquel 6.

**NOTA: El punzón no se puede reamolar.**

### ***Cambio del troquel***

Desenrosque la tuerca estriada 9 junto con la anilla de goma 8 hasta sacarla del portatroquel 6 y quite el troquel 7. Quite todo el material oxidado o todas las partículas resultantes del corte que se puedan haber acumulado en el portatroquel 6.

Introduzca un nuevo troquel 7 prestando atención a la alineación de la superficie plana sobre el lado. Apriete firmemente la tuerca estriada 9 contra la resistencia de la anilla de goma 8.

**NOTA: El troquel no se puede reamolar.**

### ***Lubricación del punzón y del troquel***

La lubricación adecuada es esencial para prolongar la vida del punzón y del troquel, y se logra sumergiendo ocasionalmente por completo el punzón y el troquel en un pequeño recipiente que contenga el lubricante adecuado.

Para asegurarse más de que se logre un corte suave y una larga vida del punzón, lubrique siempre la trayectoria de corte con aceite para cortar. Al cortar acero o acero inoxidable, lubrique la trayectoria de corte antes de comenzar a trabajar. Al cortar aluminio, lubrique la trayectoria de corte mientras realiza el corte. Como el punzón corta en la carrera descendente, se debe lubricar el lado superior del corte.

Al cortar acero, use un aceite para cortar o un aceite de viscosidad SAE 30.

Al cortar aluminio se debe usar una mezcla de 7 partes de queroseno y 3 partes de trementina.

Si el punzón se atasca, apague la recortadora de chapa inmediatamente, relubrique el punzón y el troquel y quite la tensión de la chapa.

**¡ADVERTENCIA!** El uso de cualquier accesorio o aditamento que no esté recomendado en este manual de instrucciones o en el catálogo BOSCH puede constituir riesgo de lesiones personales.

## **Mantenimiento y servicio**

**¡ADVERTENCIA!** El mantenimiento preventivo realizado por personal no autorizado puede dar lugar a la colocación incorrecta de cables y componentes internos que podría constituir un peligro serio. Recomendamos que todo el servicio de las herramientas sea realizado en un Centro de servicio de fábrica Bosch.

### ***Lubricación de las herramientas***

Su herramienta Bosch ha sido lubricada adecuadamente y está lista para la utilización. Recomendamos que las herramientas con engranajes se vuelvan a engrasar con un lubricante especial para engranajes cada vez que se cambien las escobillas.

### ***Escobillas de carbón***

Las escobillas y el conmutador de su herramienta Bosch han sido diseñados para muchas horas de servicio fiable. Para mantener un rendimiento óptimo del motor, recomendamos que se examinen las escobillas cada dos a seis meses. Sólo se deben utilizar escobillas de repuesto Bosch genuinas diseñadas especialmente para su herramienta.

### ***Rodamientos***

Después de 300-400 horas de funcionamiento o después de cada segundo cambio de escobillas, los rodamientos deben cambiarse en un Centro de servicio de fábrica Bosch. Los rodamientos que se vuelvan ruidosos (debido a una carga pesada o al corte de materiales muy abrasivos) deben ser sustituidos inmediatamente para evitar el sobrecalentamiento y el fallo del motor.

### ***Limpieza***

**¡ADVERTENCIA!** Para evitar accidentes, desconecte siempre la herramienta de la fuente de energía antes de la limpieza o de la realización de cualquier mantenimiento. La herramienta se puede limpiar más eficazmente con aire comprimido. Use gafas de seguridad siempre que limpie herramientas con aire comprimido.



Las aberturas de ventilación y las palancas de interruptor se deben mantener limpias y libres de materias extrañas. No intente limpiar introduciendo objetos puntiagudos a través de las aberturas.

**¡PRECAUCION!** Ciertos agentes de limpieza y disolventes dañan las piezas de plástico. Algunos de estos son: gasolina, tetracloruro de carbono, disolventes de limpieza clorados, amoníaco y detergentes domésticos que contienen amoníaco.





## **GARANTIA LIMITADA PARA HERRAMIENTAS MECANICAS PORTATILES Y PARA TABLERO DE BANCO BOSCH**

Robert Bosch Tool Corporation ("el Vendedor") garantiza, únicamente al comprador original, que todas las herramientas mecánicas portátiles y para tablero de banco BOSCH estarán libres de defectos de material o de fabricación durante un período de un año a partir de la fecha de compra. LA UNICA OBLIGACION DEL VENDEDOR Y EL RECURSO EXCLUSIVO QUE USTED TIENE bajo esta Garantía Limitada y, hasta donde la ley lo permita, bajo cualquier garantía o condición implícita por ley, consistirá en la reparación o sustitución sin costo de las piezas que presenten defectos de material o de fabricación y que no hayan sido utilizadas incorrectamente, manejadas descuidadamente o reparadas incorrectamente por personas que no sean el Vendedor o una Estación de servicio autorizada. Para efectuar una reclamación bajo esta Garantía Limitada, usted debe devolver el producto, que consiste en la herramienta mecánica portátil o para tablero de banco completa, con el transporte pagado, a cualquier Centro de servicio de fábrica o Estación de servicio autorizada. Para Estaciones de servicio autorizadas de herramientas mecánicas BOSCH, por favor, consulte el directorio telefónico.

ESTA GARANTIA LIMITADA NO SE APLICA A ARTICULOS ACCESORIOS TALES COMO HOJAS PARA SIERRAS CIRCULARES, BROCAS PARA TALADROS, BROCAS PARA FRESADORAS, HOJAS PARA SIERRAS DE VAIVEN, CORREAS PARA LIJAR, RUEDAS DE AMOLAR Y OTROS ARTICULOS RELACIONADOS. TODAS LAS GARANTIAS IMPLICITAS TENDRAN UNA DURACION LIMITADA A UN AÑO A PARTIR DE LA FECHA DE COMPRA. ALGUNOS ESTADOS DE LOS EE.UU., ALGUNAS PROVINCIAS

CANADIENSES NO PERMITEN LIMITACIONES EN CUANTO A LA DURACION DE UNA GARANTIA IMPLICITA, POR LO QUE ES POSIBLE QUE LA LIMITACION ANTERIOR NO SEA APLICABLE EN EL CASO DE USTED.

EL VENDEDOR NO SERA RESPONSABLE EN NINGUN CASO DE NINGUN DAÑO INCIDENTAL O EMERGENTE (INCLUYENDO PERO NO LIMITADO A RESPONSABILIDAD POR PERDIDA DE BENEFICIOS) QUE SE PRODUZCA COMO CONSECUENCIA DE LA VENTA O UTILIZACION DE ESTE PRODUCTO. ALGUNOS ESTADOS DE LOS EE.UU. Y ALGUNAS PROVINCIAS CANADIENSES NO PERMITEN LA EXCLUSION O LIMITACION DE LOS DAÑOS INCIDENTALES O EMERGENTES, POR LO QUE ES POSIBLE QUE LA LIMITACION O EXCLUSION ANTERIOR NO SEA APLICABLE EN EL CASO DE USTED.

ESTA GARANTIA LIMITADA LE CONFIERE A USTED DERECHOS LEGALES ESPECIFICOS Y ES POSIBLE QUE USTED TAMBIEN TENGA OTROS DERECHOS QUE VARIAN DE ESTADO A ESTADO EN LOS EE.UU., DE PROVINCIA A PROVINCIA EN CANADA.

ESTA GARANTIA LIMITADA SE APLICA SOLAMENTE A HERRAMIENTAS ELECTRICAS PORTATILES Y PARA TABLERO DE BANCO VENDIDAS EN LOS ESTADOS UNIDOS DE AMERICA, CANADA Y EL ESTADO LIBRE ASOCIADO DE PUERTO RICO. PARA COBERTURA DE GARANTIA EN OTROS PAISES, PONGASE EN CONTACTO CON SU DISTRIBUIDOR O IMPORTADOR LOCAL DE BOSCH.

Importado en México por: Robert Bosch, S.A. de C.V.,  
Calle Robert Bosch No. 405, Zona Industrial,  
Toluca, Edo. de México, C.P. 50070, Tel. (722) 2792300



# BOSCH

© Robert Bosch Tool Corporation  
1800 W. Central Road  
Mt. Prospect, IL 60056 -2230

3 609 929 430 4/04

Printed in Federal Republic of Germany - Imprimé en République Fédérale d'Allemagne