



SERVICE AND PARTS MANUAL

GLOBAL NO FROST DOUBLE DOOR REFRIGERATOR COUNTRY-VENEZUELA

1.0	Safety precautions & warnings	2-3
2.0	Product specifications	4
3.0	Circuit diagram	5
4.0	Product dimensions	6
5.0	Packaging dimensions	7
6.0	Sealed system schematic layout	8
7.0	Trouble shooting -cooling system	9
7.1	Trouble shooting defrosting	10
8.10	Cabinet assembly parts diagram	11
8.20	Shelves part diagram	12
8.30	Freezer compartment parts diagram	13
8.40	Control box parts diagram	14
8.50	Compressor assembly parts diagram	15
8.51	Parts list	16-19

MODEL	SAP CODE	DESCRIPTION
WRNE322	3730	285L EXPORT, ALMOND, VCM - VENEZUELA
WRNE322	2302	285L EXPORT GREY VCM -COLOMBIA
WRNE282	3700	250L EXPORT, ALMOND, VCM - VENEZUELA
WRNE282	5010	285L Q.Chill Dlx 110V N Grey Venezuela

Safety precautions and warnings:

Read all instructions before using this appliance in order to avoid risk of accident or possible damage.

Warning / Caution



Warning

This symbol is intended to alert the user to the possible death or injury.



Caution

This symbol is intended to alert the user to the possible injury or damage.

Description of symbols



Indicates prohibition



Do not disassemble



Do not contact



Adhere the instruction strictly



Unplug from the electrical outlet



Earth the appliance to avoid the risk of an electric shock.



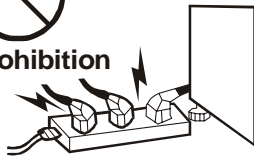
Warning

Do not plug multiple electric appliances into the same outlet.

This may cause abnormal heating or fire hazard.



Prohibition

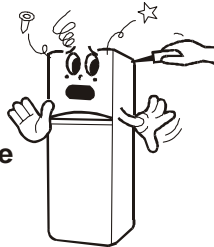


Do not disassemble repair or alter.

It may cause fire or abnormal operation which leads to injury.

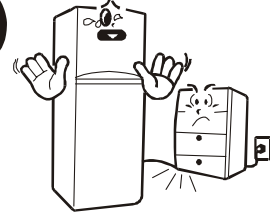


Do not disassemble



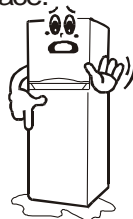
Do not bend the power cord with excessive force or do not have the power cord pressure by heavy article.

This may cause fire.



Check the operating environment

Do not install the refrigerator in a humid (with condensation) location or an unstable surface.

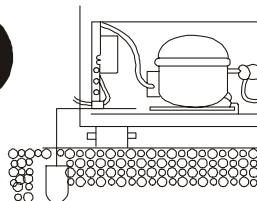


Be sure to earth.

If earthing is not done, it will cause break down and electric shock.



Earth

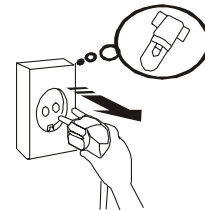


Pull the power plug out for exchanging the interior lam of the refrigerator.

It may cause electric shock



Unplug



Page 2



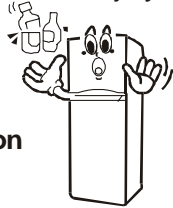
Caution

Do not store bottled food or drinks in the freezing compartment.

Bottles may explode causing personal injury.



Prohibition



Do not store food in unstable manner.

Opening the door may trigger loose items to slip & cause injury.



Prohibition



Do not store anything other than food in the refrigerator.

Medical supplies, which need to be under strict temperature control, should not be stored in the refrigerator.



Prohibition

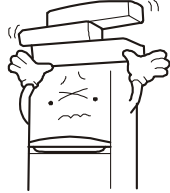


Do not put on top of the refrigerator.

Opening or closing the door may trigger the loose items to slip & cause injury.

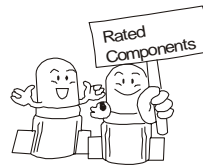


Prohibition



When replacing electric components, be sure to use rated components.

Check the model, rated voltage, rated current, operating temperature etc. of the component.



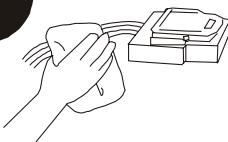
When servicing the refrigerator completely remove dust or foreign substances from the housing, electric connections etc.

This can protect against the risk of fire hazard caused by tracking and short circuit.



Please wipe out foreign materials of the metal option of power plug cleanly.

Use of it as it is may cause fire.



After servicing the refrigerator be sure to check the components are reassembled in a correct manner.

The service unit should be reassembled & return to its original assembly state.

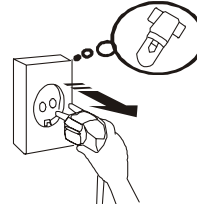


Check electrical ports for the trace of moisture penetration.

When the trace of moisture penetration is detected, insulation tapping.



Unplug



2.0 Technical Specifications

Dimensions

As mentioned in table

Capacity

Total

250/285L

Electrical Connection

Voltage 1150Volts
Frequency 60 Hz.

Power consumption

In 24 hours 1.4 kWh

Cooling agent

Type R134a

Quantity 98 g

Thermostat Cooling

Switching values

Switch on temperature

Min. 0.0 deg. C

Switch on temperature

Max. 3.1 deg. C

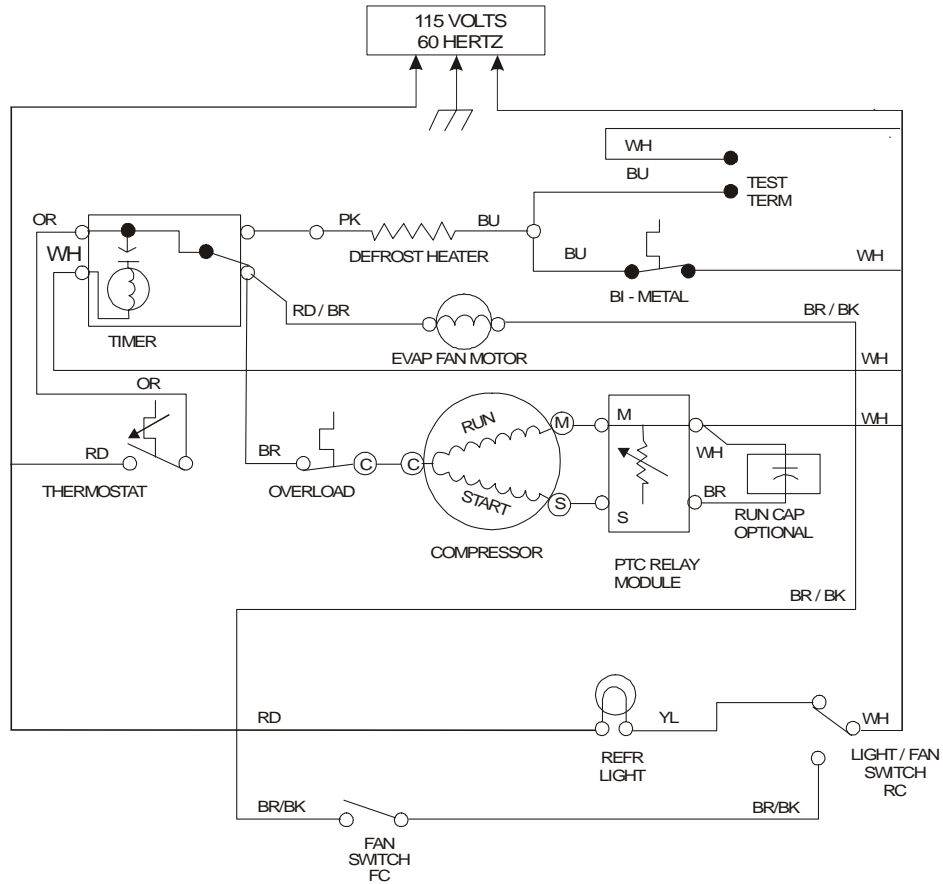
Switch off temperature

Min. -11.1 deg C

Switch off Temperature

Max. -6.3 deg. C

3. Circuit Diagram :



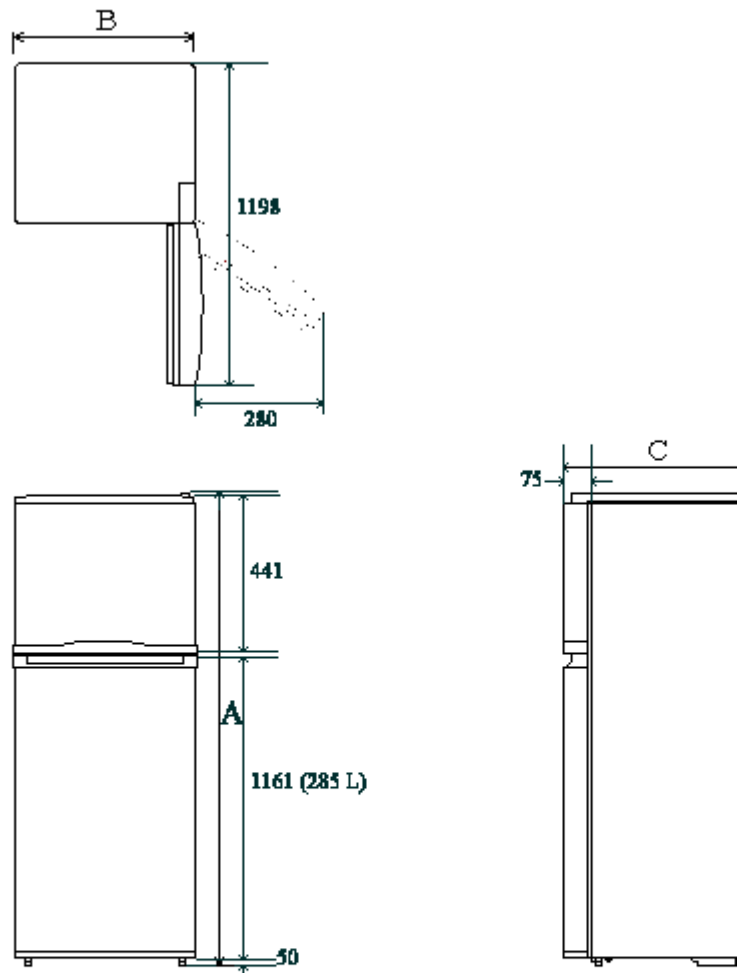
SYMBOL CODE

- = CONNECTOR - SCREW ON
- ⊙ = CONNECTOR - CLOSED END
- = DISCONNECT TERMINAL
- = PERMANENT CONNECTION
- = PLUG CONNECTOR
- ⏏ = GROUND (CHASSIS)

WIRE COLOR CODE

- GN = GREEN
- BU = BLUE
- BK = BLACK
- RD = RED
- WH = WHITE
- YL = YELLOW
- BR = BROWN
- PK = PINK
- RD/BR = RED BROWN TRACER
- BR/BK = BROWN BLACK TRACER

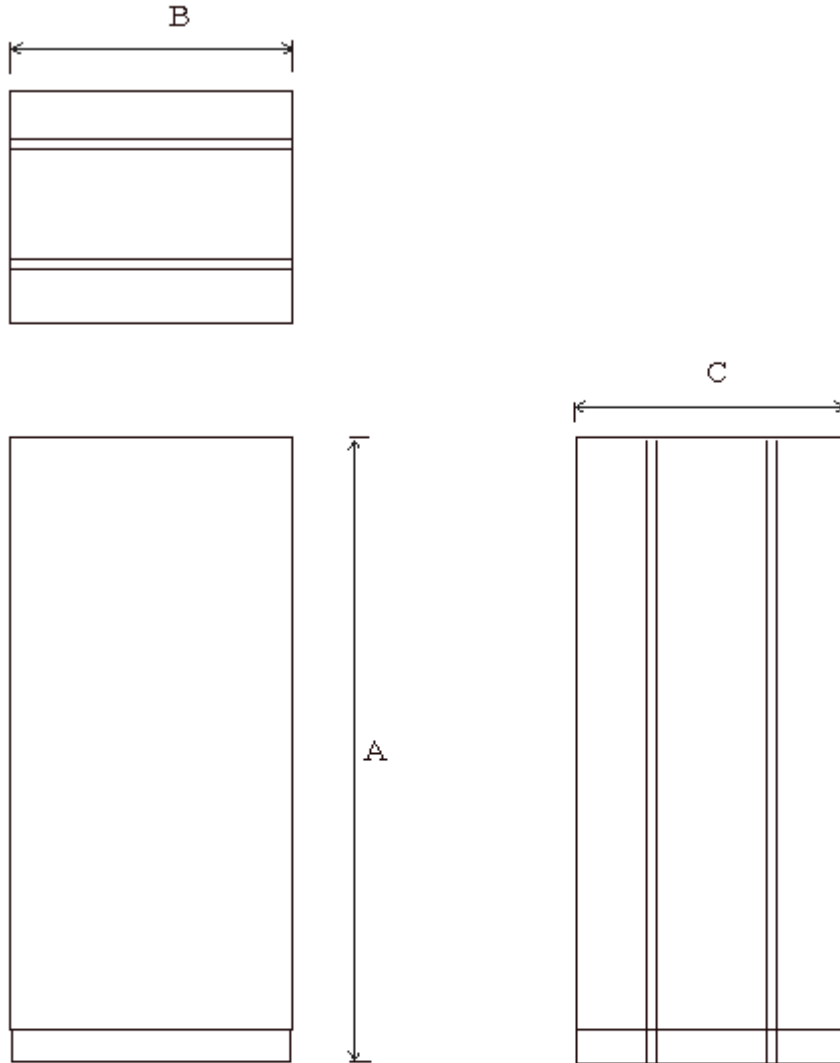
4.0 Product Dimension



	Height (A)	Width (B)	Depth (C)
WRNE232W00	1395 mm	550 mm	625 mm
WRNE282W00	1537 mm	550 mm	625 mm
WRNE322W00	1662 mm	550 mm	625 mm

Page 6

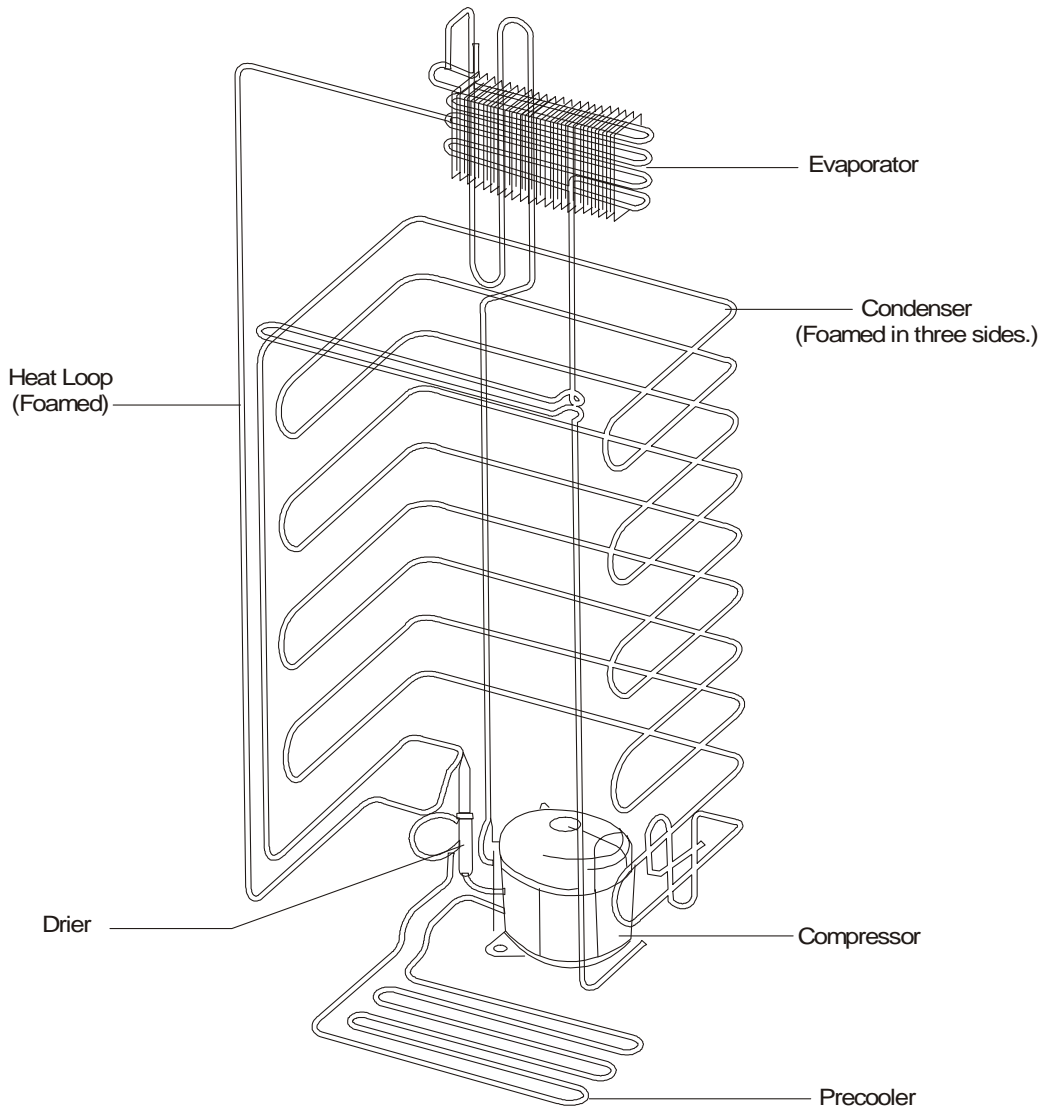
5.0 Packaging Dimensions :



	Height (A)	Width (B)	Depth (C)
WRNE232W00	1493 mm	628 mm	695 mm
WRNE282W00	1609 mm	628 mm	695 mm
WRNE322W00	1734 mm	628 mm	695 mm

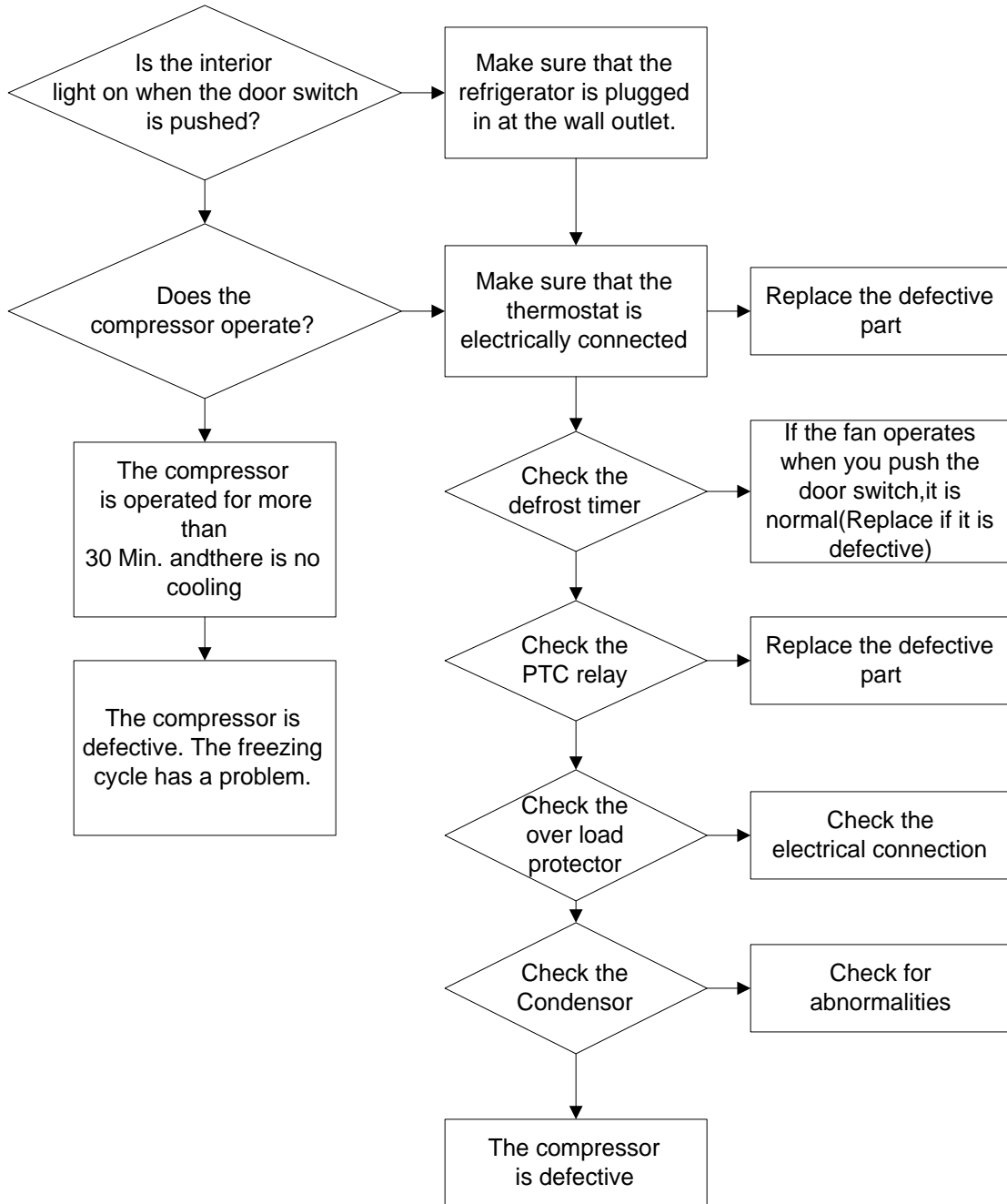
Page 7

6.0 Sealed System Schematic Layout :

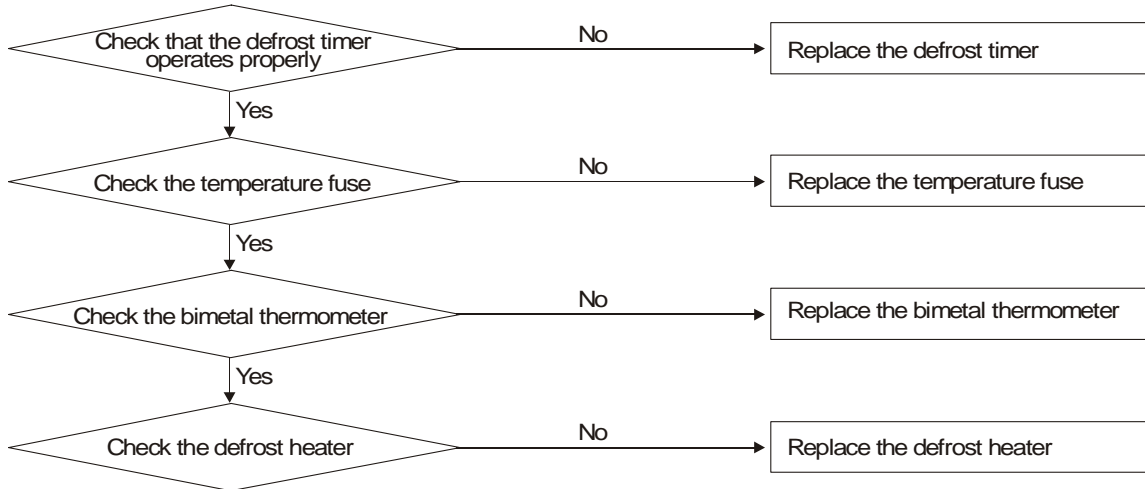


7. Trouble shooting method

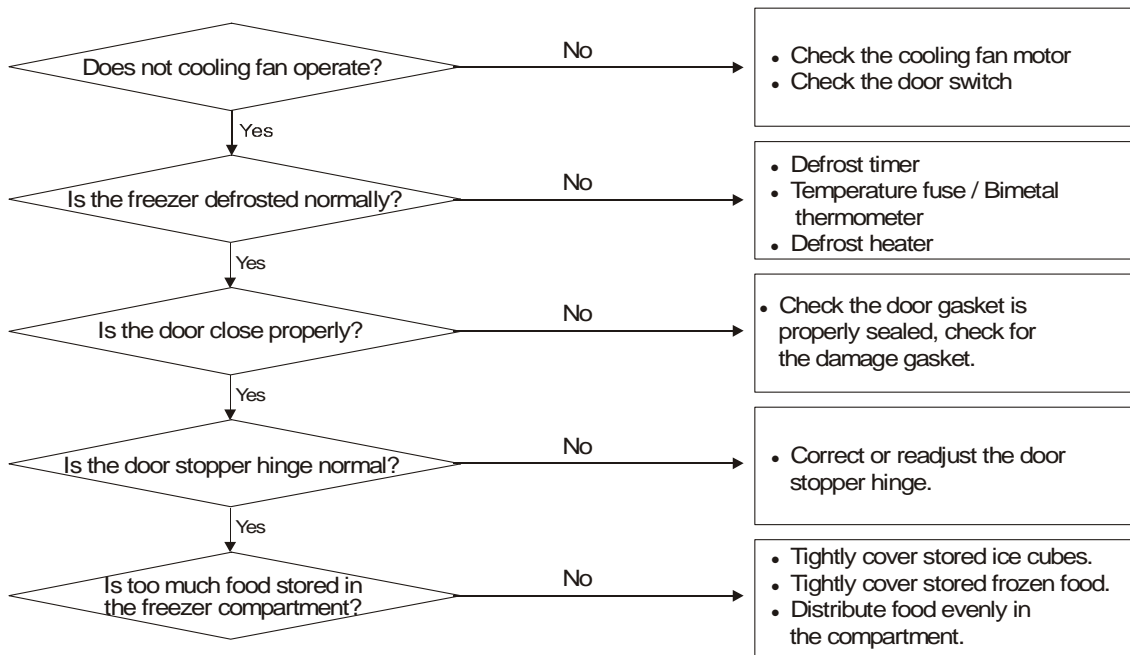
7.0 The refrigerator does not operate



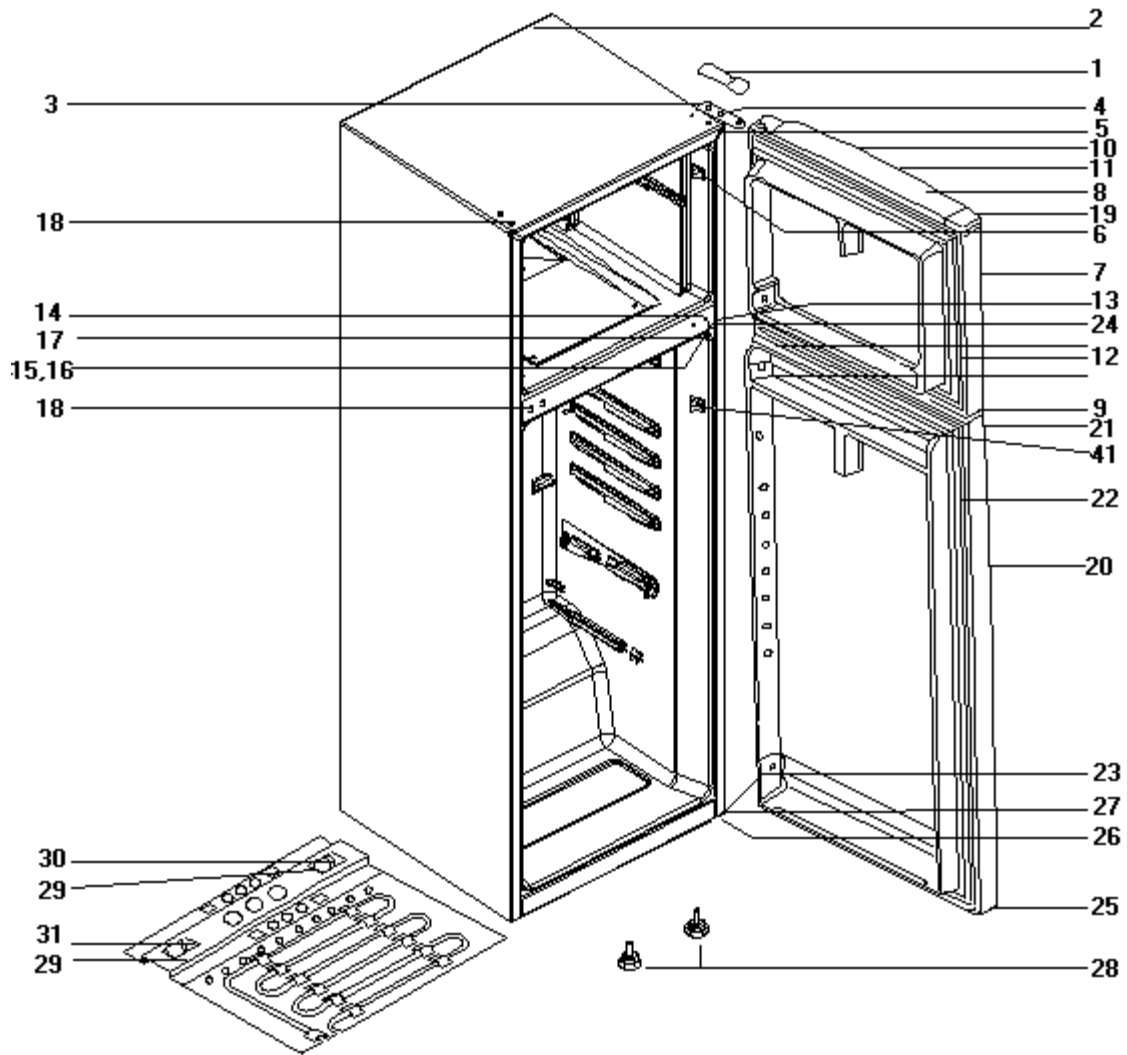
7.1 Defrosting mechanism does not work :



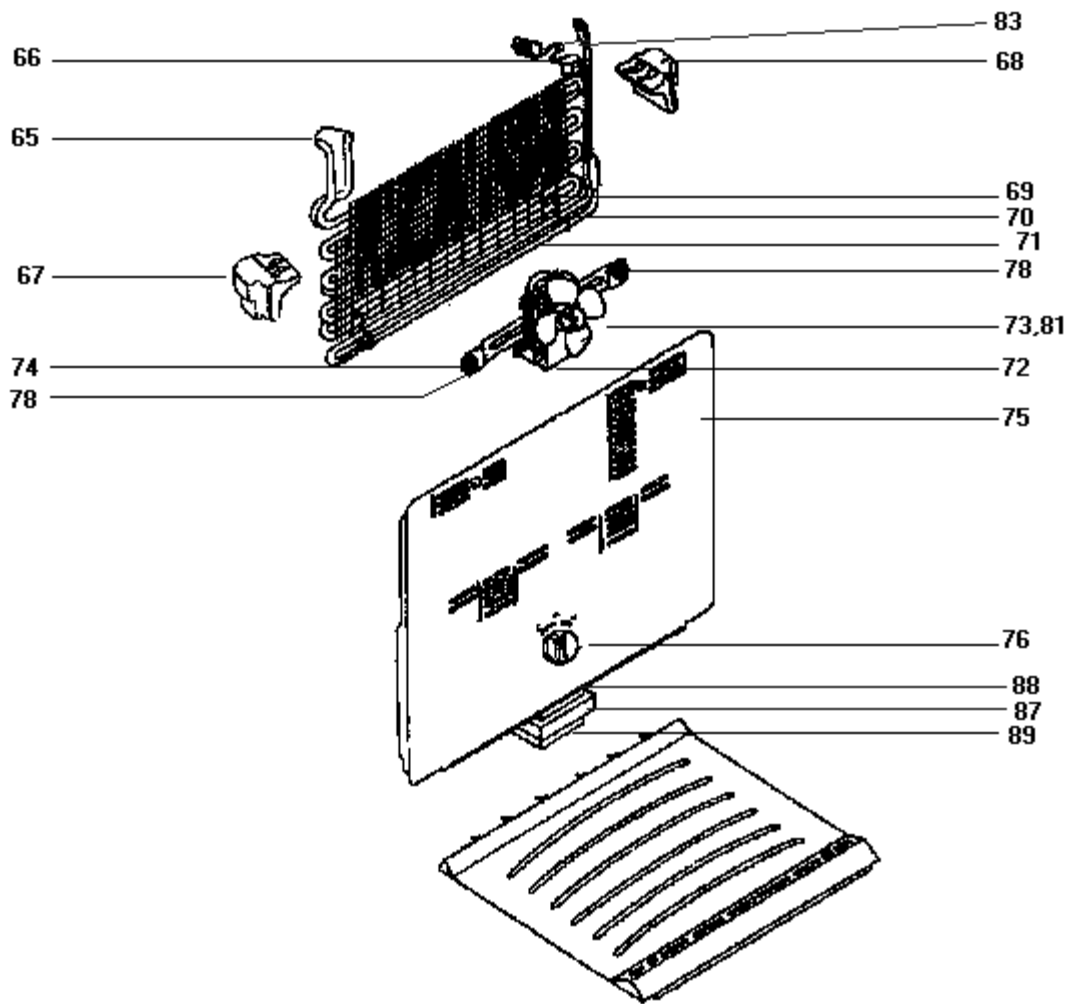
7.2 Defrosting mechanism does not work :



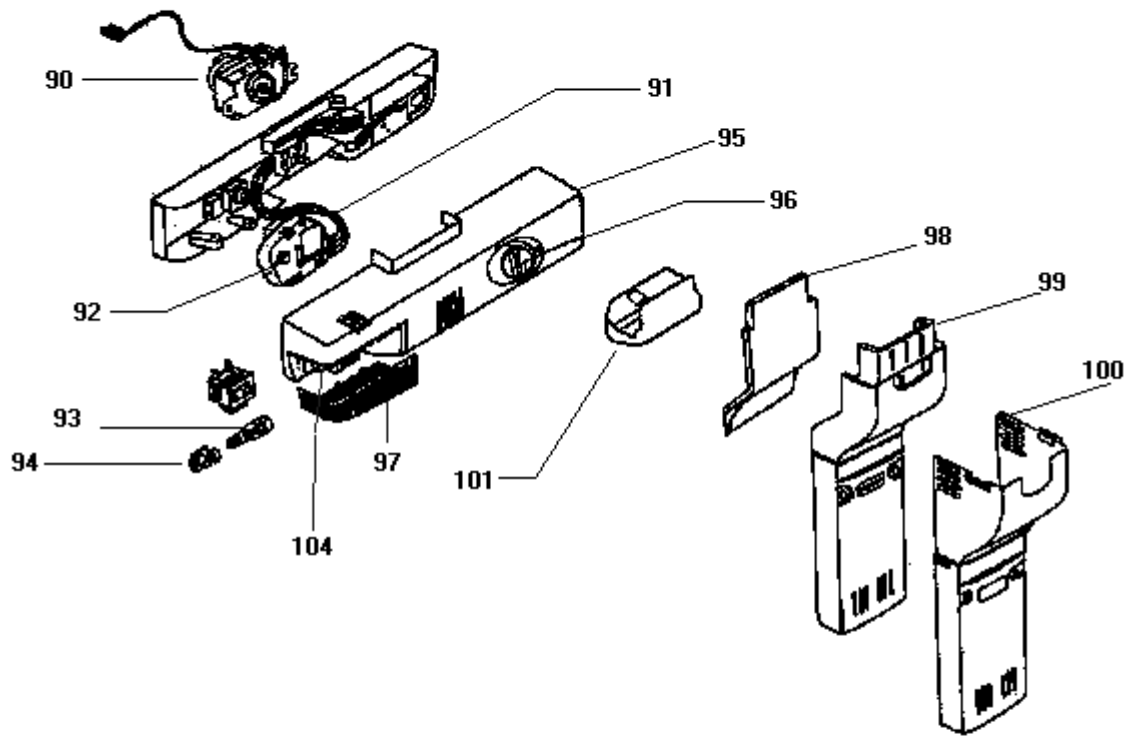
8.10 Cabinet Assembly Parts :



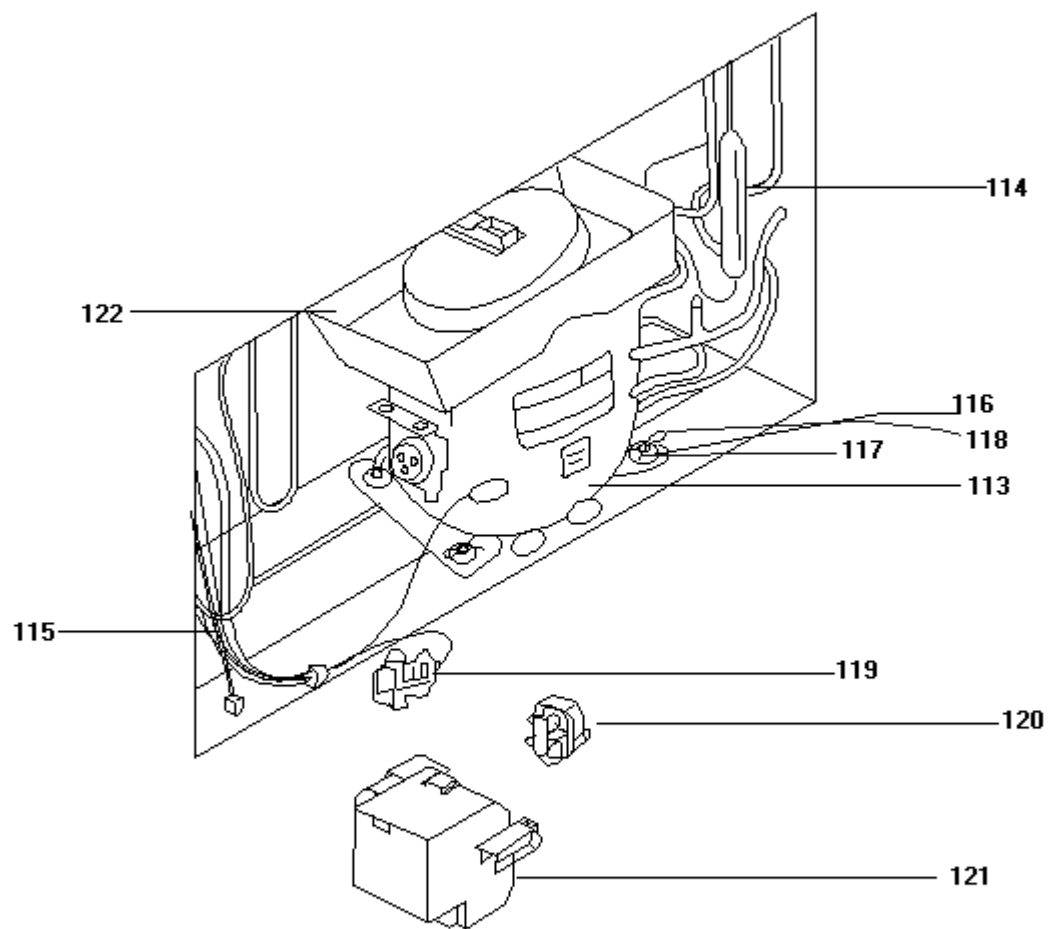
8.30 Freezer Compartment Assembly :



8.40 Box Assembly :



8.50 Compressor Assembly :



PART CODE	DESCRIPTION	Sap code			
		2302	3700	5010	3730
A2018240000	285L ASSLY CONTROL BOX, EXPORTS	1		1	1
A2019930000	ASSY, PLATE - LEVELER - 2G	1	1		
97918330000	BI-METAL CLIP	1	1	1	1
A201179000C	BLADE -FAN, EVAPORATOR	1	1	1	1
A2010410000	BODY- AIR DIFFUSER , REAR	1	1	1	1
A2016360000	BODY- AIR DIFFUSER, FRONT	1		1	1
A2035250000	BODY- AIR DIFFUSER, FRONT- 250L		1		
A203609000C	BOX- 285L, EXPORT	1			
A2036280000	BULB- E14, 110V/60HZ, TAIWAN	1	1	1	1
A2036960000	CHILLER PAN, 220L - HK, RETAIL		1		
A201435000A	CLIP-COMPRESSOR MOUNTING	1	1	4	4
A2014770000	CLIP-DEFROST HEATER	1	1	1	1
A2036300000	COMPRESSOR ASSY- EMBRACO, 110 V Taiwan	1	1		
A2036980000	CONTROL BOX, 220L, HK- RETAIL		1		
A2036580000	CONTROL BOX, EXPORT	1		1	1
A201030000E	COVER - UNIT- MTG	1	1	1	1
A2036110000	COVER- AIR DIFFUSER, EXPORT	1	1	1	1
A201492000B	COVER EVAP, BACK	1	1	1	1
A2036600000	COVER EVAP, FRONT- EXPORT	1	1	1	1
A2014551600	COVER, HINGE- TOP, ALMOND		1		1
A2014550700	COVER, HINGE- TOP, GREY	1			
A203657000B	CRISPER COVER 250/285L, EXPORT	1	1	1	1
A203695000B	CRISPER PAN- 220L HK- RETAIL			1	1
A203656000B	CRISPER PAN, EXPORT	1	1		
A201494000C	DAMPER -FREEZER CONTROL	1		1	1
A201566000A	DAMPER, FREEZER CONTROL- 220/250L		1		
A2036310000	DEFROST HEATER, 110V/60HZ- TAIWAN	1	1	1	1
A2111090000	DEFROST TIMER, PARAGON - 115V-60HZ	1	1	1	1
A2011551600	DETENT, DOOR STOP- ALMOND		1		1
A2011550700	DETENT, DOOR STOP- GREY	1			
A2016653000	DOOR ASSY 285 RC VCM NICKEL GREYL			1	
A2015811600	DOOR ASSY RC ALMOND VCM 250L HIGH		1		
A2015681600	DOOR ASSY RC VCM ALMOND 285L				1
A2015681600	DOOR ASSY RC VCM ALMOND 285L				1
A2016631600	DOOR ASSY, FC, VCM ALMOND W/O T-T		1		1
A2016631600	DOOR ASSY, FC, VCM ALMOND W/O T-T				1
A2016633000	DOOR ASSY, FC, VCM NICKEL GREY W/O T-T			1	
A2036690000	DOOR BIN, RC- BOTTLES. EXPORT	1		1	1
A2036540000	DOOR BIN, RC- UTILITY, EXPORT	1		1	1
A2036550000	DOOR CHILLER, EXPORT	1		1	1
A2036630000	DOOR QUICK FREEZE, EXPORT	1	1	1	1
A201042000B	DRAIN CUP	1	1	1	1
A201423000C	DRAIN TUBE ASSEMBLY 250L		1		
A201389000C	DRAIN TUBE ASSEMBLY- 285L	1		1	1

A201389000C	DRAIN TUBE ASSEMBLY- 285L			1	1
GNF43870190000	SERVICE DRIER	1	1	1	1
A2017290000	E- CLIP, RIVET AXLE	1	1	2	2
11153180000	ELECTRICAL SHIELD	1	1	1	2
PART CODE	DESCRIPTION	2302	3700	5010	3730
A2013921600	END CAP- BOTTOM ,RC- ALMOND		1		
A201392070C	END CAP- BOTTOM ,RC -GREY	1			
A201048160B	END CAP- BOTTOM- FC - ALMOND		1		
A2019781600	END CAP- BOTTOM- FC, ALMOND - ABS				1
A2019783000	END CAP- BOTTOM- FC, NICKEL GREY- ABS			1	
A2037651600	END CAP- DOOR, FC- TOP, ALMOND- EXPORT		1		
A2037650700	END CAP- DOOR, FC- TOP, GREY- EXPORT	1			
A2019801600	END CAP FC TOP W/O CAB TOP ALMOND, ABS				1
A2019803000	END CAP FC TOP W/O CAB TOP N.GREY, ABS			1	
A2019813000	END CAP RC BOTTOM NICKEL GREY, ABS			1	
A2019811600	END CAP RC BOTTOM, ALMOND, ABS				1
A2019771600	END CAP- RC TOP, ALMOND - ABS				1
A2019771600	END CAP- RC TOP, ALMOND - ABS				1
A2019773000	END CAP- RC TOP, NICKEL GREY- ABS			1	
A2019773000	END CAP- RC TOP, NICKEL GREY- ABS			1	
A201048070F	ENDCAP- BOTTOM- FC ,GREY	1			
A201049160B	ENDCAP- TOP, RC- ALMOND		1		
A201049070F	ENDCAP- TOP, RC- GREY	1			
A201138000E	EVAPORATING TRAY	1	1	1	1
A201703000A	EVAPORATOR ASSY - MATSUSHITA	1	1	1	1
A2092601600	F/assy 285L EXPORT ALMOND-VENEZUELA				1
A2092600700	F/assy 285L EXPORT WHITE VENEZUELA	1			
A203627000A	FAN MOTOR- EXPORT, 110V/60HZ	1	1	1	1
A2011071600	FILLER- WRAPPER CORNER, ALMOND		1		2
A2011070700	FILLER- WRAPPER CORNER, GREY	1			
A201471000A	FOIL- CONTROL BOX			1	1
A201068000J	FREEZER FLOOR-INTEGERATED, HIPS	1	1	1	1
A2035270000	GASKET- FC, DOOR - SERVICE	1	1	1	1
A2035260000	GASKET- RC, DOOR 285L- SERVICE	1		1	1
A2035760000	GASKET- RC, DOOR 250L- SERVICE		1		
A201164000A	GASKET- EVAP COVER ,SIDE	1	1	2	2
A2011630000	GASKET -EVAP COVER ,TOP	1	1	1	1
A2012550000	GASKET- EVAPORATOR COVER,BOTTOM	1	1	1	1
A201466000B	GROMMET - DRAIN SEAL	1	1	1	1
A201105000B	GROMMET- COMPRESSOR	1	1	1	1
5319330000	GROMMET FAN MTG	1	1	2	2
A2016380000	GROMMET SOUND DEADENING- BACK	1	1	2	2
A2016370000	GROMMET SOUND DEADENING- FRONT	1	1	1	1
84233900000	GROMMET-CLOSED END	1	1	4	4
A2017410000	HINGE SUB ASSY, BOTTOM - 2G	1	1		
9400140000	HOLE PLUG	1	1	1	1
A2016101600	HOLE PLUG SLEEVE HINGE- ALMOND		2		1

This document is only intended for qualified technicians who are aware of the respective safety regulations.

Modified Date

Subject to modification

Revision 0

Document No. WO/NF/2003/001

Date

04/01/2003

A2016100700	HOLE PLUG SLEEVE HINGE- GREY	2			
A2016461600	HOLE PLUG, PRESSFIT- ALMOND		1		8
A201646070A	HOLE PLUG, PRESSFIT- GREY	1			
A2036610000	KNOB, CONTROL- FC, EXPORT	1	1	1	1
A2036590000	KNOB, CONTROL- RC, EXPORT	1	1	1	1
A201037000A	LIGHT LENS	1	1	1	1
A2018650000	NAME PLATE WHIRLPOOL VENEZUELA WRNE322	1		1	1
A201012000A	PAN CHILLER 285L	1		1	1
PART CODE	DESCRIPTION	2302	3700	5010	3730
A201012000A	PAN CHILLER 285L			1	1
A201000000B	PANEL -DOOR ,INT- RC, 285L	1		1	1
A2037960000	PANEL INTERIOR DOOR- FC	1	1	1	1
A201358000E	PHILIPS HEAD SCREW, M4.0X0.7	1			
A201365000B	PLATE -COMPRESSOR MOUNTING	1	1	1	1
A201170000B	PLATE -SCREW, CENTER HINGE	1	1	2	2
A2036480000	PLENUM ASSY 285L,EXPORT- 110V/60HZ	1		1	1
A2014571600	PLUG REVERSIBLE- ENDCAP- ALMOND		1		
A2014570700	PLUG REVERSIBLE- ENDCAP, GREY	1			
A201437000A	PUSHNUT	1	1	1	1
A201671000A	RETAINER- BOTTLE, 285L WHITE	1		2	2
A2035210000	RETAINER, BOTTLE, 220/250L WHITE		1		
A2015670000	RIVET- AXLE, ZINC	1	1	2	2
A201358000A	SCREW -HEX WASHER HEAD		1		
A2013550000	SCREW- HEX HEAD, HI-LO SEMS	1	1	2	2
A2013560000	SCREW- HEX WASHER HEAD	3	3	2	2
A2016760000	SCREW- HEX WASHER HEAD	1	1	7	7
A2013540000	SCREW- HEX WASHER HEAD	2	2	2	2
A2013770000	SCREW -HEX WASHER HEAD	1	1	1	1
A201361000B	SCREW- PHILIPS PAN HEAD	1	1	7	7
A201472000A	SCREW- PHILLIPS PAN HEAD	2	2	2	2
A201071000E	SHELF - QUICK FREEZE	1	1	1	1
A2037950000	SHELF BACK- TRIPLE (SAN)	1	1	1	1
A201391000C	SHELF- FLIP UP	1	1	3	3
A203794000A	SHELF FRONT- TRIPLE (SAN)	1	1	1	1
A2037930000	SHELF- RC (SAN)	1	1	1	1
A2011020000	SHIELD - HEAT, EVAP	1	1	1	1
A201616000A	SHIELD, ELECTRICAL LIGHT	1	2	1	1
A201441000A	SHIM-MOUNTING CLIP COMPRESSOR	1	1	8	8
A2010870000	SLEEVE- HINGE	2	2	1	1
A201178000B	SLIDE, HUMIDITY CONTROL BLUE	1	1	1	1
A2013780000	SOUND DEADENING- EVAPORATOR	1	1	1	1
A2011561600	STOP - DOOR, FC- RH SWING- ALMOND		1		1
A2011560700	STOP - DOOR, FC- RH SWING- GREY	1			
A2013681600	STOP- DOOR, RC- ALMOND		1		1
A2013680700	STOP- DOOR, RC- GREY	1			
A2039080000	STRAIN RELIEF	1	1	1	1
A2110181600	SUB ASSY - CENTRE HINGE, ALMOND		1		1

A2110200000	SUB ASSY, AIR SEPARATOR	1	1	1	1
A2110330000	SUB ASSY, HEAT LOOP GROMMET, 285L	1		1	1
A2110190000	SUB ASSY, TOP HINGE - GNF/2G	1	1	1	1
A201478000B	SUPPORT- ICE TRAY	1	2	1	1
21499540000	SWITCH 2 TERM ROCKER ARM	1	1	1	1
11153730000	SWITCH 3 TERM ROCKER ARM	1	1	1	1
A2016950000	THERMOSTAT WT ASSY -250L, SIEBE		1		
A2016940000	THERMOSTAT WT ASSY -285L, SIEBE	1		1	1
A2016940000	THERMOSTAT WT ASSY -285L, SIEBE			1	1
A201139000A	TRAY - EGG	1	1	2	2
A201331000C	TRAY-ICE	1	1	2	2
A2036510000	TRIVET, FC EXPORT	1	1	1	1
PART CODE	DESCRIPTION	2302	3700	5010	3730
A2036530000	TRIVET, RC- DEEP	1	1	1	1
A2036520000	TRIVET, RC- SHALLOW EXPORT	1	1	1	1
A2036970000	TRIVET-MIDDLE- RC, HK- RETAIL		1		
A201386000A	TUBE ASSY- DISCHARGE				
A201372000A	TUBE- HEAT EXCHANGER		1		
A2036320000	USE & CARE GUIDE-Eng/Fren/Arabic	1	1	1	1
A201476000A	WEDGE ,EVAP MOUNTING- LH	1	1	1	1
A201475000D	WEDGE ,EVAP MOUNTING- RH	1	1	1	1
A2110500000	WIRE HARNESS UNIT INTM'D-UL, 115V/60Hz			1	1
A2110030000	WIRE HARNESS, INT'D, EXPORT, UL	1	1		
A2036800000	WIRING ASSY CABINET 285L- 115V/60HZ	1	1	1	1
A2036430000	WIRING ASSY CONTROL BOX- 115V/60HZ	1	1	1	1
A2036380000	WIRING ASSY- FC 110V/60HZ	1	1	1	1

This document is only intended for qualified technicians who are aware of the respective safety regulations.

Modified Date

Subject to modification

Revision 0

19

Document No. WOI/NF/2003/001

Date

04/01/2003