

PARTS LIST

for



COMMERCIAL ELECTRIC DRYER

MODEL
CEM2940TQ0



FOR CUSTOMER SATISFACTION ALWAYS USE
FACTORY SPECIFICATION PARTS



Whirlpool CORPORATION
Benton Harbor, Michigan.

BULKHEAD PARTS

For Model: CEM2940TQ0
(White)

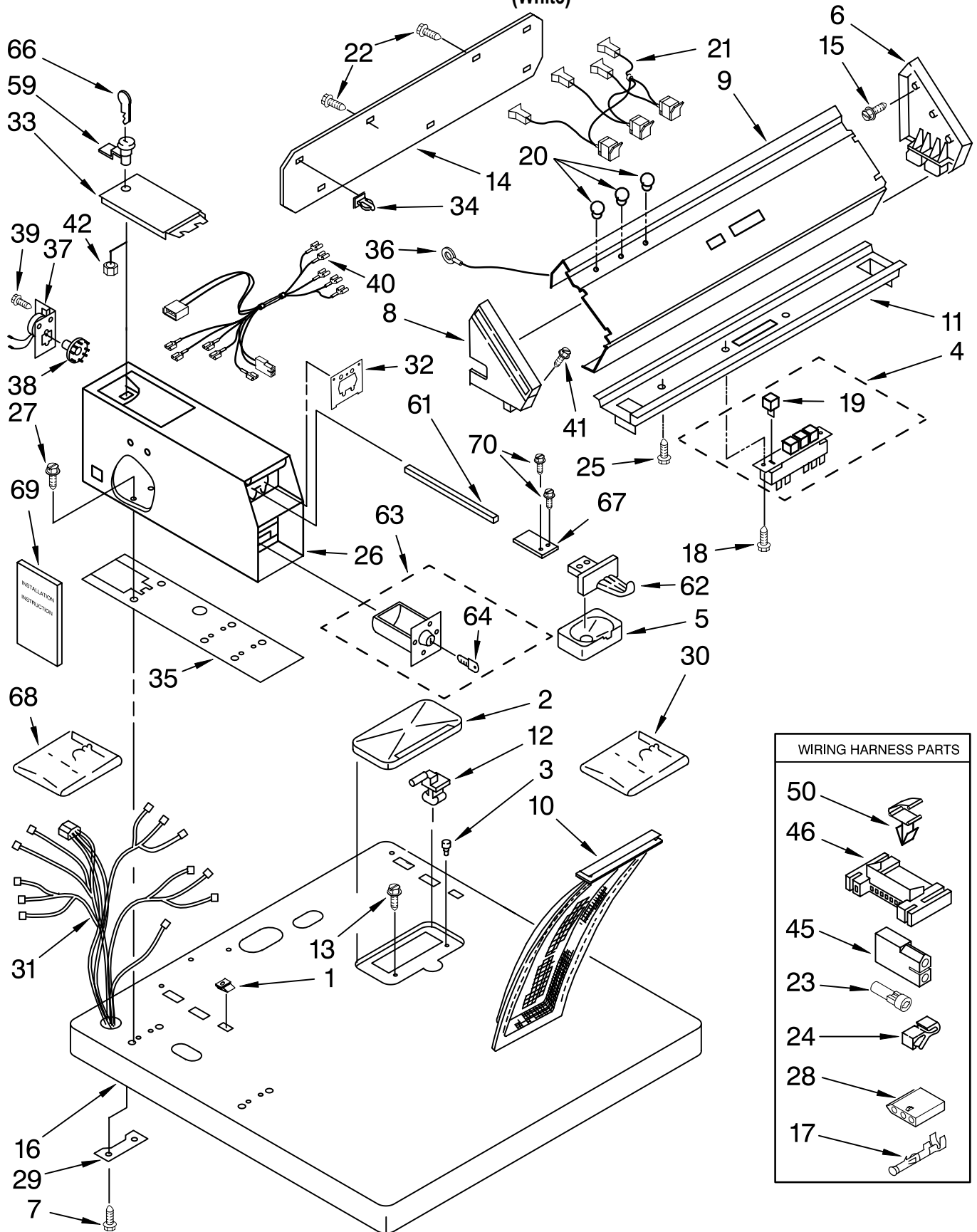
Illus. No.	Part No.	DESCRIPTION	Illus. No.	Part No.	DESCRIPTION	Illus. No.	Part No.	DESCRIPTION
1		Literature Parts	10	694089	Wheel, Blower	21	690997	Ring, Tri
	8563800	Instructions, Installation			(Includes Illus . 8)	22	3399506	Shaft, L.H.
	8576820	Label, Wiring Diagram	11	8577230	Housing, Blower	23	3399507	Shaft, R.H.
	W10119630	Repair Parts List	12	3398161	Clip	24	3397590	Roller, Support (2)
2	3388703	Washer, Support	13	343641	Screw, 10-16 x 1/2	25	348197	Washer, Support (4)
3	8066086	Drum Hole Plug	14	8541818	Box, Heater	26	3359452	Nut, 3/8-16 (2)
4	347139	Seal, Lint Chute	15	3977767	Thermostat, High Limit 221°F (105C)	27	3403410	Bulkhead
5	90767	Screw, 8-18 x 3/8	16	348368	Lint Chute Assembly	28	692526	Ring, Bearing (2)
7	3387134	Thermostat, Internal Bias	17	3403588	Heater Element	29	W10109200	Screw, 11-16 x 3/4
9	3977393	Thermal Cut-Off (Includes Illus. 15)	18	279457	Wire Kit (For Heater Element Wiring Harness Repair)	30	3406130	Seal, Rear Drum
			19	3390647	Screw, 8-18 x 1/2	31	695587	Drum Assembly
			20	489463	Screw, 8-18 x 5/8	32	692490	Baffle, Drum (2)
						33	3403636	Baffle, Drum (1)
						34	339956	Seal
						35	3976434	Bracket, Support Shaft
						36	90296	Clip
						37	696302	Shield, Exhaust

FOR ORDERING INFORMATION REFER TO PARTS PRICE LIST

TOP AND CONSOLE PARTS

For Model: CEM2940TQ0

(White)

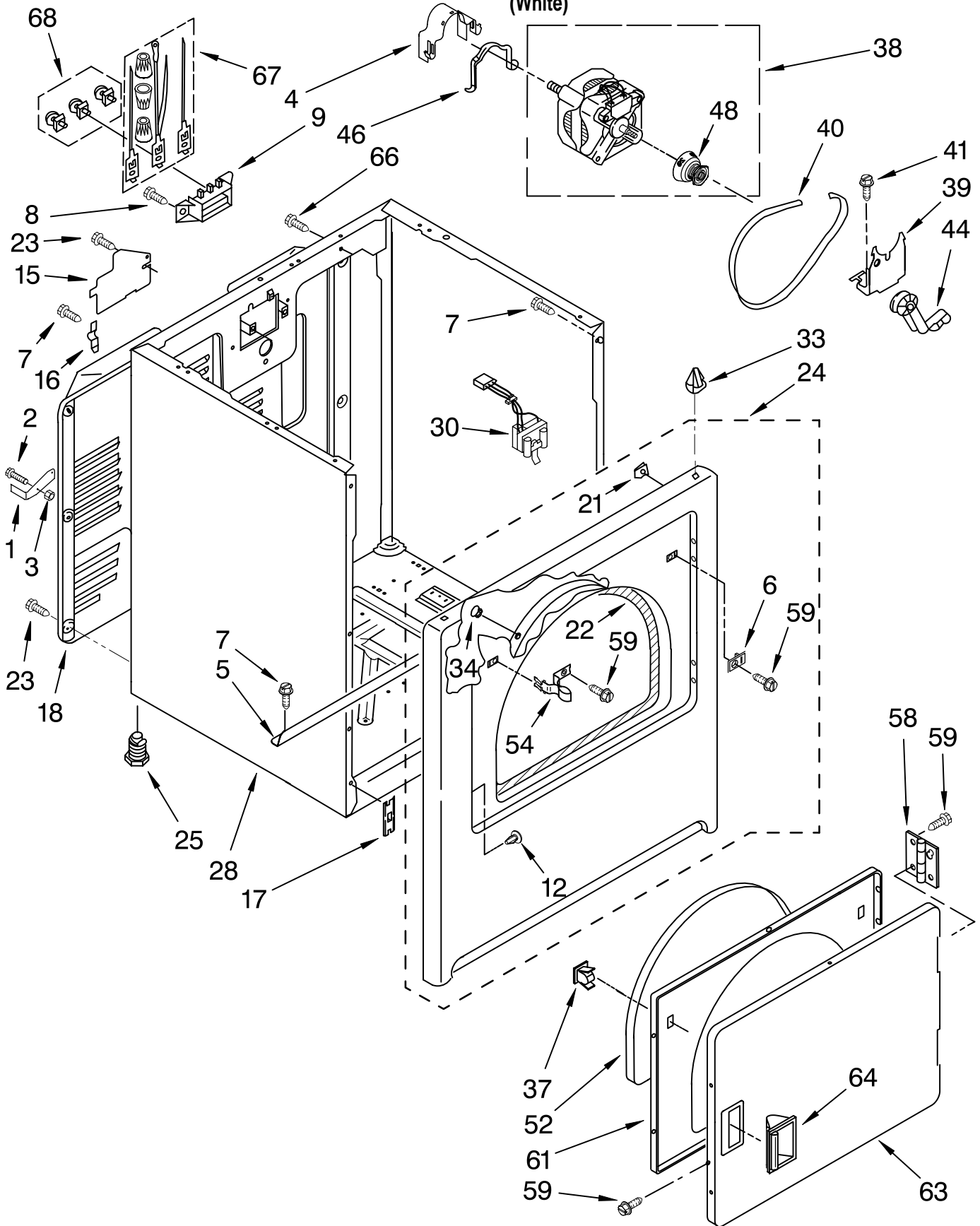


FOR ORDERING INFORMATION REFER TO PARTS PRICE LIST

CABINET PARTS

For Model: CEM2940TQ0

(White)



FOR ORDERING INFORMATION REFER TO PARTS PRICE LIST

CABINET PARTS

For Model: CEM2940TQ0

(White)

Illus. No.	Part No.	DESCRIPTION	Illus. No.	Part No.	DESCRIPTION	Illus. No.	Part No.	DESCRIPTION
1	3954895	Bracket, Top Lock	23	693995	Screw, Hex Washer Head	40	8066065	Belt, Drive
2	354730	Bolt, 5/16-18 x 2 3/4	24	3403444	Front Panel Assembly	41	3400500	Bolt, 5/16-18 x 3/4
3	90984	Nut	25	3392100	Foot	44	691366	Idler & Pulley Assembly
4	3404162	Clamp, Motor (W/Shield)		279810	Foot - Optional (Extended Length Package Of 2) (Not Included)	46	660658	Clamp, Motor
5	8541400	Bracket, Cabinet	28	8530603	Cabinet (Includes Illus. 5)	48	8066184	Pulley, 60 Hz.
6	3403630	Plug, Strike Hole	30	3406109	Switch, Door	52	3405246	Seal, Door
7	343641	Screw, 10-16 x 1/2	33	690363	Lock, Front Top (2)	54	3403431	Strike, Door
8	3393008	Screw, 10-16 x 1/2	34	685203	Clip, Felt Pad (2)	58	3405514	Hinge & Pin Assembly (2)
9	3397659	Terminal Block	37	3389441	Catch, Door	59	342055	Screw, 8-18 x 1/2
12	3404413	Plug, Hinge Hole (4)	38	8066206	Motor Assembly 60 Hz.	61	3402341	Door, Rear
15	3396795	Cover, Block	39	348780	Base, Motor	63	3402335	Door, Front
16	8066217	Hinge, Top (2)				64	3405184	Handle, Door
17	3394083	Clip, Front Panel				66	697776	Screw, 10-32 x 5/8 (Grounding)
18	3396805	Panel, Rear				67	279318	Terminal, Tinned & Brass (3)
21	98234	Clip, Ground (2)				68	279393	Screw Kit (For Terminal Block)
22	3406129	Seal & Bearing Assembly						

FOR ORDERING INFORMATION REFER TO PARTS PRICE LIST

OPTIONAL PARTS (NOT INCLUDED)

For Model: CEM2940TQ0

(White)

Illus.	Part	
No.	No.	DESCRIPTION

ACCESSORY PARTS

279948 Kit,
Dryer Repair

PAINT, TOUCH-UP (1/2oz.)

72017 White

PAINT, PRESSURIZED SPRAY (12 oz.)

350930 White
350938 Primer, Gray

PAINT, BULK (1 qt.)

799344 White (Uncut)

FOR ORDERING INFORMATION REFER TO PARTS PRICE LIST