



Nova
downlights

Versatile application
Accents with impact
Easy installation



Two optional packaging styles
Nova 50 downlights are available in two optional packaging styles:

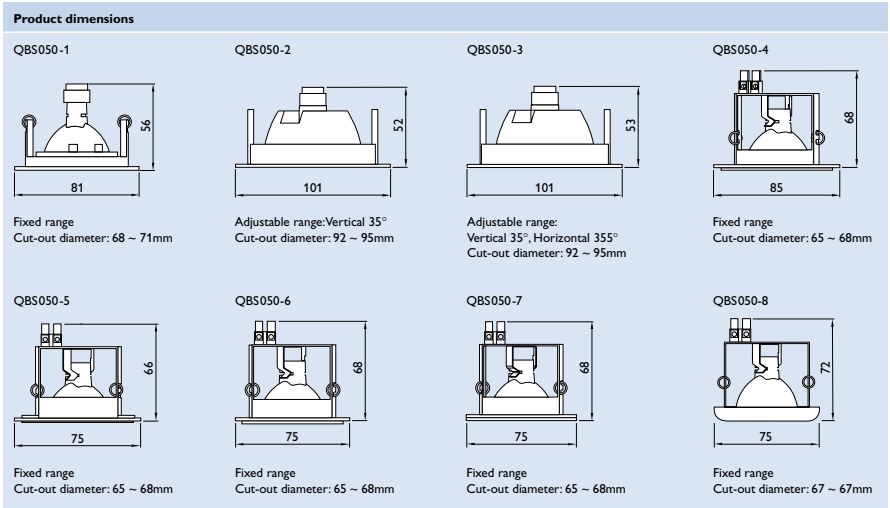
- An individual colour box comprising of one downlight and an electronic transformer
- A package of three Nova downlights and an electronic transformer.



Philips MasterLine lamp
To save on energy costs, Nova can be used in conjunction with the Philips MasterLine energy saver dichroic lamp. This lamp technology offers both unparallelled light output at a lower installed wattage and reduced heat output, ultimately reducing the load on the air conditioning.



ET-Standard electronic transformer
Each downlight also includes a transformer to drive the 12V halogen lamps. Complying with IEC norms, the transformers offer optimum safety for your installations, including protection against electrical shock.



Dimensions in mm

Ordering information

	Lamp	Colour	Material	Weight (g)	Packaging	Ordering number	
QBS 050-1 WH	Dichroic halogen 12V/35W or 50W	White	Die-cast aluminium	55	Standard white box	9104 016 81380	
QBS 050-1 BK		Black				9104 016 81180	
QBS 050-1 SV		Silver	Die-cast zinc alloy	105		9104 016 81280	
QBS 050-1 GD		Gold				9104 016 81480	
QBS 050-2 WH		White	Die-cast aluminium	120		9104 016 81880	
QBS 050-2 BK		Black				9104 016 81580	
QBS 050-2 SV		Silver	Die-cast zinc alloy	220		9104 016 81780	
QBS 050-2 GD		Gold				9104 016 81680	
QBS 050-3 WH		White	Die-cast aluminium	140		9104 016 82280	
QBS 050-3 BK		Black				9104 016 81980	
QBS 050-3 SV		Silver		250		9104 016 82180	
QBS 050-3 GD		Gold				9104 016 82080	
QBS 050-4		Brushed Aluminium		Die-cast zinc alloy		125	9104 016 82380
QBS 050-5						100	9104 016 82480
QBS 050-6						80	9104 016 82580
QBS 050-7						100	9104 016 82680
QBS 050-8	130				9104 016 82780		

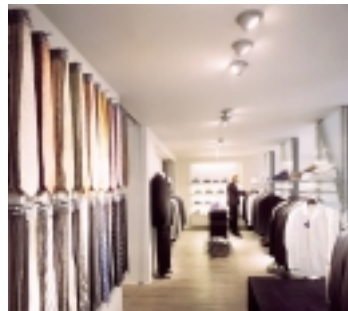
Notes:
 • Lamps and electronic transformers are not included for the purchase of individual downlights
 • Colour packaging is available upon request
 • Specifications subject to modification

30 1-B23 3 001-01
www.lighting.philips.com/apr

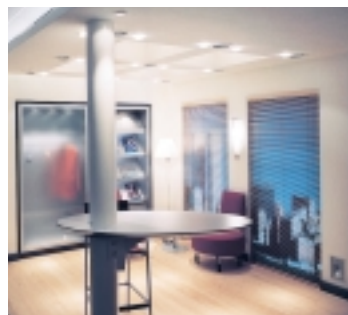
© 2003 Koninklijke Philips Electronics N.V.
 All rights reserved, reproduction in whole or in part without permission is prohibited.

nova downlights

The versatile Nova series of low voltage halogen dichroic downlights is the ideal choice for a myriad of indoor lighting applications. Available in a broad range of finishes and colours, Nova comes fixed or adjustable and are suited for use in homes, offices, shops, hotels and restaurants, to create a functional yet elegant and intimate setting. For display areas such as galleries, museums and exhibitions, Nova series provides the perfect way to highlight points of interest and attract the attention of visitors.



Nova for accent and visual merchandising
The right lighting effect will keep a visitors' attention focused on a key display. Downlights from the Nova series can be positioned as key and fill lights that, when angled correctly, will create an attractive 3D effect. The narrow beam of the halogen Masterline lamp will produce glimmer and impact, while mixing in the fill light can soften the overall effect.



Nova for ambience and mood lighting
Lighting plays a dramatic role in setting the right mood. The lamp used in the Nova series, a halogen dichroic, is very versatile. Even a plain wall can come alive with the creative play of shadows and light produced by lighting from various beam angles and widths. It can also be easily dimmed to create numerous possibilities and scenarios, with the added advantage of an increase in the comfort level of the environment.



the nova adjustable range

Everything about the Nova adjustable downlights is designed to add unobtrusive elegance to your interior lighting design. The perfect solution for accent lighting, the Nova adjustable range comes in a choice of white, black, silver or gold.

OBS050-1/2 GD

the nova fixed range

Nova has been designed to blend seamlessly with almost any indoor architectural environment. Fitted with Masterline ES halogen lamps, the fixed range of downlights comes in variety of colours and finishes: white, black, silver, gold or, for that stylish touch, brushed aluminium.



OBS050-3 WH



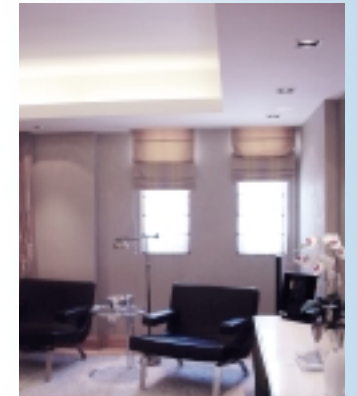
OBS050-3 GD



OBS050-3 BK



OBS050-3 SV



Lighting can have a dramatic role to play in setting the mood in a home. Nova makes a room appear cozy and inviting by providing the right type of light at the right place and instant. Such imaginative use of Nova will allow a room to acquire fresh shadow and colour emphasis, all at the touch of a switch.



Part of the fun of eating in a restaurant is sitting in a room that sparkles with the right levels of comfort and ambience. Nova downlights can add to that subliminal sense of pampering and excitement. With Nova, clients can fully appreciate the colour, texture and artful presentation of the cuisine.



OBS050-1/2 WH



OBS050-1/2 BK



OBS050-1/2 SV



OBS050-4



OBS050-5



OBS050-6



OBS050-7



OBS050-8