

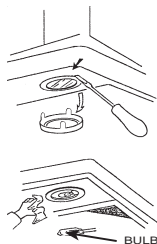
CONTROL PANEL



- Left Push Button = Light On/Off Switch
- Second Push Button = Fan On High Speed
- Third Push Button = Fan On Second Speed
- Fourth Push Button = Fan On Low Speed
- Fifth Push Button = Fan Off

LIGHT REPLACEMENT

- a) Halogen bulb 12Volt/20Watt required.
- b) Switch off the power to rangehood.
- c) Use a small bladed screwdriver to prise off the light cover.
- d) Use a cloth to remove the bulb. Do not touch the bulb with fingers.
- e) Replace with a new bulb using a cloth. Do not touch the bulb with fingers. Snap the cover back in place.



For other accessories, parts or service, please contact your local supplier (Refer to Warranty Certificate).

INSTALLATION OPTION ACCESSORIES

DUCTED

UNIDUCT FLEXI DUCT KIT is recommended.
1569 Flexi Duct Kit (150mm)

RECIRCULATED

Use manufacturer Product Code.
1744 Recirculation Kit

For other accessories, parts or service, please contact your local supplier or approved service agent

MAINTENANCE

Particular care should be taken with grease filter which must be periodically cleaned (at least every two months). Remove the grease filters and wash them either by hand or in the dishwasher using mild detergent. Caution: Never use products containing abrasives (e.g. scouring pads, steel wool, abrasive liquid cleaner etc.) Use lukewarm water and a mild detergent to clean stainless steel components. In high humidity and coastal environments, cleaning should be carried out more frequently.

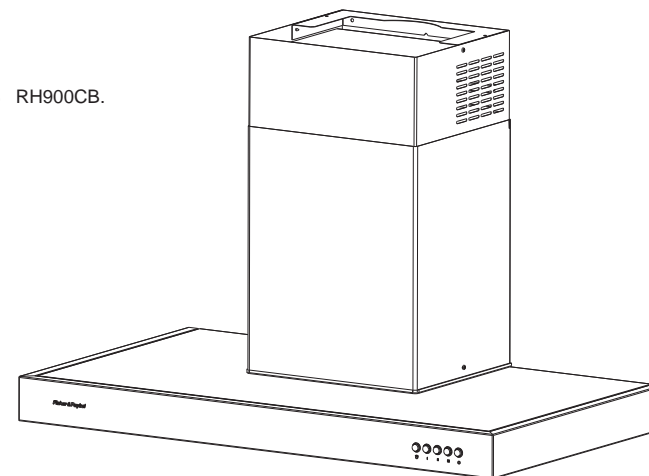
WARNINGS

- Care should be taken when removing filters in order to prevent the filter falling and causing damage to the hob top.
- This appliance is not intended for use by young children or infirm persons without supervision.
- Young children should be supervised to ensure that they do not play with the appliance.
- Upon installation the appliance must be positioned so that the plug is accessible.
- There should be adequate ventilation of the room when the rangehood is used at the same time as appliances burning gas or other fuels.
- You must read the details concerning the method and frequency of cleaning.
- There is a fire risk if cleaning is not carried out in accordance with the instructions.
- Do not flambé under the rangehood.
- Exhaust air must not be discharged into an existing flue used for exhausting fumes from appliances burning gas or other fuels.
- The recommended minimum distance between the hob surface and the lowest part of the rangehood is 600mm. This should be increased to at least 650mm if installed over a gas hob. We recommend 700mm.
- Attention should be given to ensure that any applicable regulations concerning the discharge of exhaust air is fulfilled.
- If the supply cord of this equipment is damaged, it must only be replaced by the manufacturer or it's service agent, or a similarly qualified person in order to avoid a hazard.

Fisher and Paykel

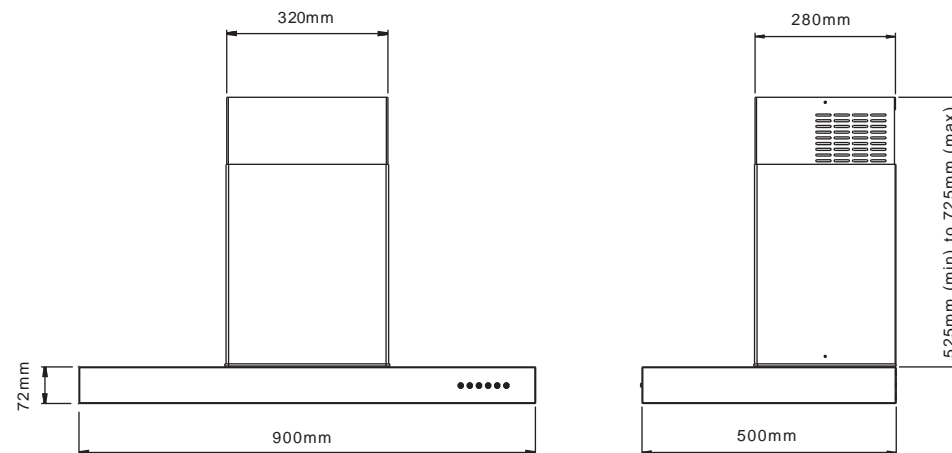
INSTALLATION INSTRUCTION

MODEL NUMBER 80078 RH900CB.



PLEASE READ THE ENTIRE INSTRUCTION BEFORE INSTALLING THE CANOPY

PRODUCT DIMENSIONS



UNIDUCT
RANGEHOOD DUCTING

RECOMMENDED UNIDUCT DUCTING
SYSTEMS FOR RANGEHOODS

MANUFACTURED FOR

Fisher & Paykel

BY:

ROBINHOOD LIMITED
6 ZELANIAN DRIVE, EAST TAMAKI
AUCKLAND, NEW ZEALAND
ISO9001 Certified

Electrical Rating:
372W (1.55A)
Max. at 230-240V 50Hz

104835 issue B
ECN 05 048

PRE-INSTALLATION

Thank you for purchasing a quality stainless canopy rangehood. We have a high standard of quality control and each rangehood is tested and approved before it leaves the factory.

IMPORTANT : Please read prior to installation and operation.

- Always switch the power off prior to installing, servicing or cleaning the appliance.
- Never use the appliance without the filters.
- Please read the notes on general cleaning, especially the filters.
- Exhaust air must not be discharged into a heating flue or wall cavity, unless the cavity is designed for that purpose.
- Areas where the rangehood is installed that also have gas, oil or coal fired heaters, must be well ventilated to prevent a partial vacuum in the room. This includes gas hobs. (A partial vacuum in the room could result in too high a concentration of gas in the air).

WARNING



All electrical work must be done in accordance with local and/or national electrical codes as applicable. For safety, this product must be earthed. If you are unfamiliar with methods of installing electrical wiring, employ the services of a qualified electrician.

Turn off power at service entrance before installing wiring or servicing this product.

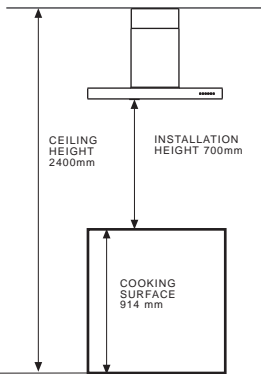


The canopy is heavy. Please ensure adequate care when installing the canopy to prevent personal injury.

The canopy must be installed onto a solid wall or solid studs



INSTALLATION OF UNIT



NOTE: Stainless steel is very easily damaged during installation if abraided or knocked by tools.

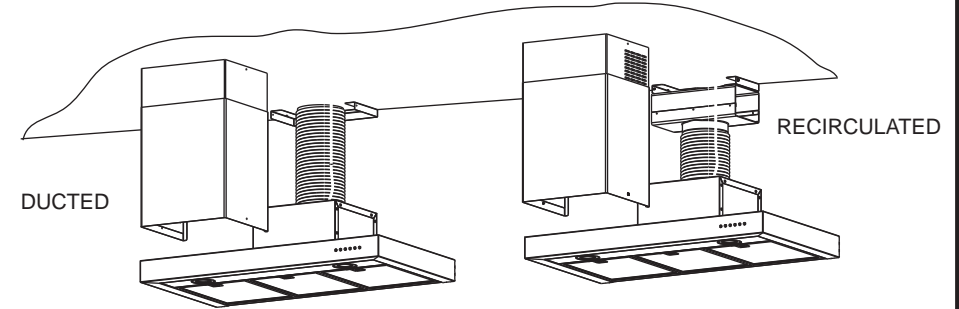
Read the instructions before starting the assembly. Remove the filters to allow access to wall mounting holes.

The unit is designed for 2400mm ceilings. The chimney is telescopic and is designed for hood installation between 600 and 800mm above the cooking surface.

Ascertain the desired installation height of the canopy. Note: Optimum installation height is 700mm above the cooking surface (650mm for gas) but the rangehood can be installed between 600 and 800mm.

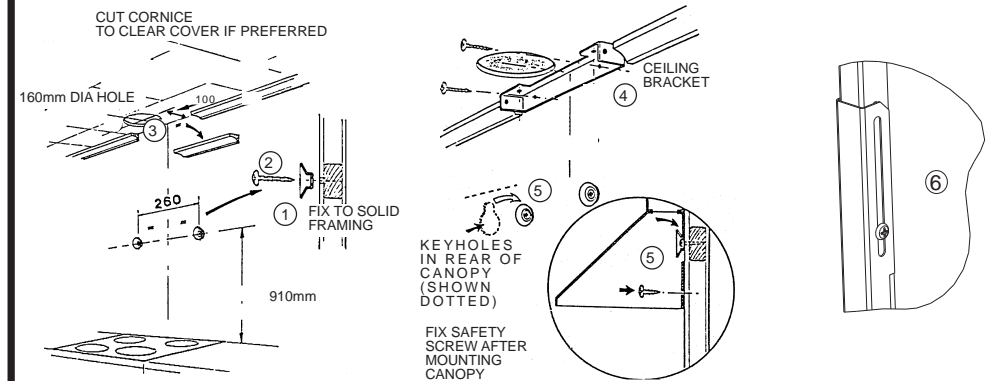
Ducting: Ducting accessories and not supplied. The air outlet from the motor requires 150mm round ducting which requires a 160mm diameter hole in the ceiling/wall.

This appliance must be positioned so that the electrical plug is accessible.



Before drilling any holes check the wall and ceiling are clear of any electrical cables, pipes etc. Fixing to a stud/noggin is recommended.

1. Fix the mounting washers in position, check with a spirit level across the washers to ensure that they are level.



INSTALLING DUCTING

Note all ducting must comply with local requirements and building codes.

2. Mark the position of the decorative chimney at ceiling and wall. Cut the cornice moulding away if required to enable the chimney to fit flush against the wall.
3. Mark and cut the hole in the ceiling to fit the ducting (160mm). The centre of this hole is positioned centrally above the canopy and 100mm out from the wall.

INSTALLING CEILING BRACKET

4. Using the screws supplied fix the ceiling bracket to the wall. Check that it is aligned with the canopy.

FINAL ASSEMBLY

5. Remove the protective plastic covering from all parts including the filters. Fit the canopy on the mounting washers. Plug in the power cord and check the function of the hood. Unplug the power cord fix the safety screw, connect and secure the ducting using the cable ties and/or ducting tape.
6. Assemble the telescopic chimney to accurately suit the dimensions required and fix using the screws supplied to the canopy and the ceiling bracket. A rubber extrusion is available as an optional extra (part no. 104354GY) to hide any irregularities between the chimney and the canopy. To fit this extrusion push it over the bottom edge of the chimney and cut to length.
BEWARE: This edge may be sharp so take care to avoid damage to fingers.