

Commercial Gas Ultra High Efficiency Water Heater



Photo is of
EF-100T-199

The Ultra High Efficiency Water Heater Models Feature:

- Thermal Efficiency Up To 99.1%.
- 60 Gallon Tank Capacity in 125,000, 150,000 and 199,999 BTU/hr Inputs.
- 100 Gallon Tank Capacity in 150,000, 199,999, 250,000, 300,000 and 399,999 BTU/hr Inputs.
- Flexible Venting—Conventional, Through-the-Wall or Direct Vent.
- Three Pass Flue System.
- Low NOx Premix Power Burner.
- Ultra Quiet Operation.
- Submerged Combustion Chamber.
- 1" NPT Side Connection For Hydronic Applications.
- Electronic Controls.
- Zero Inch Clearance To Combustibles.
- Vitraglas® Lined Tank.
- Four Protective Magnesium Anode Rods (except EF-100T-399).
- Powered Anode Rods (only EF-100T-399).
- Hand Hole Cleanout—Allows inspection of tank interior.
- Factory Installed Hydrojet® Sediment Reduction System.
- Factory Installed Dielectric Fittings.
- Non-CFC Foam Insulation.
- 3" Optional Concentric Vent Kit.
- ASME Construction Available.
- NSF Construction Available With Optional Kit.
- Brass Drain Valve.
- T&P Relief Valve Factory Installed.
- Three Year Limited Warranty On Steel Tank.
- One Year Limited Warranty On Parts.



3 or 5-Year Limited Tank Warranties / 1-Year Limited Warranty on Component Parts.

For more information on warranty, please visit www.bradfordwhite.com

For products installed in USA, Canada and Puerto Rico. Some states do not allow limitations on warranties. See complete copy of the warranty included with the heater.

Ultra High Efficiency Water Heaters

eF Series® Standard Equipment Features:

Thermal Efficiency up to 99.1%—Fully condensing design.

Three Pass Flue System—The three pass flue system keeps the hot combustion gases moving at a high velocity. The combination of high turbulence and velocity causes an enormous rate of heat transfer into the water.

Low NOx Premix Power Burner—Developed for the eF Series®, a turbulent flame shoots down the submerged combustion chamber. This turbulence causes a thorough mixing of the gas and air for optimum combustion and high heat transfer efficiencies. — Far exceeds California emission requirements.

Submerged Combustion Chamber—Submerging the combustion chamber in the center of the water storage tank minimizes radiant heat loss and improves efficiency.

Non-CFC Foam Insulation—Surrounds the tank surface, saving energy by retarding loss of heat.

Electronic Controls—Adjustable electronic thermostat for control between 80°F and 180°F. The recycling Energy Cut Off (ECO) shuts off all gas flow in an event of an overheat condition.

Zero Inch Clearance—The eF Series® jacket is cool to the touch and is approved for zero inch clearance to combustibles for unsurpassed installation flexibility.

Vitraglas® Lined Tank—Bradford White's water heater tanks are protected from the corrosive effects of hot water by an exclusive ceramic porcelain-like coating. Our high silica Vitraglas® lining provides a tough interior surface for Bradford White's water heater tanks.

Protective Magnesium Anode Rods—Employed to provide an extra measure of corrosion protection for longer life. Each eF heater has 4 anodes, except the EF-100T-399 which has 2 powered anode rods and one non-powered anode rod.

Factory Installed Hydrojet® Sediment Reduction System—Cold inlet sediment reduction device made of stainless steel for increased durability. Helps prevent sediment build up in tank.

Factory Installed Dielectric Fittings—All heaters equipped with special water heater nipples for longer heater life. No special dielectric fittings to buy.

Flexible Venting—The eF Series® can vent vertically or horizontally with either 3" or 4" PVC, CPVC or ABS vent pipe, and is approved for direct vent closed combustion applications, or those applications that require inside air for combustion. Foam Core pipe is permitted on the entire venting system. The eF Series® is also approved for unbalanced venting, which means the air intake pipe doesn't have to be vented the same distance as the exhaust.

(NOTE: Air intake cannot exceed exhaust by more than 30 feet.)

Model Number	Max. 3" PVC, ABS & CPVC	Max. 4" PVC, ABS & CPVC
EF-60T-125	120 ft.	170 ft.
EF-60T-150	100 ft.	150 ft.
EF-60T-199	80 ft.	130 ft.
EF-100T-150	120 ft.	170 ft.
EF-100T-199	100 ft.	150 ft.
EF-100T-250	80 ft.	130 ft.
EF-100T-300	60 ft.	110 ft.
EF-100T-399	50 ft.	100 ft.

Determining required vent length

1. Determine the total length of straight vent pipe (in feet) required for both the intake and the exhaust.
2. Add 5 feet of venting for every 90° elbow.
3. Add 2 1/2 feet of venting for every 45° elbow.
4. Total vent length cannot exceed "Max Length" in the above venting table.
5. Air intake cannot exceed exhaust by more than 30 feet in any venting situation.

NOTICE: Do not include the 3" exhaust elbow or vent terminals in determining maximum vent length.

Three year limited warranty on steel tank — Heavy gauge steel automatically formed, rolled and welded to assure a continuous seam for glass lining.

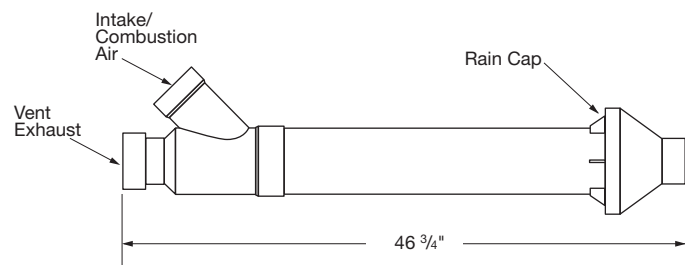
One year limited warranty on parts

eF Series® Optional Equipment Features:

Maxitrol Gas Pressure Regulating valve—Ensures proper supply pressure to eF unit of 7" to 11" W.C. (provided incoming pressure is between 1/2 and 2 psi). This can be ordered as a separate part, or as part of the heater. For the separate part, please use p/n 243-45517-00 (not available for use with the EF-100T-399).

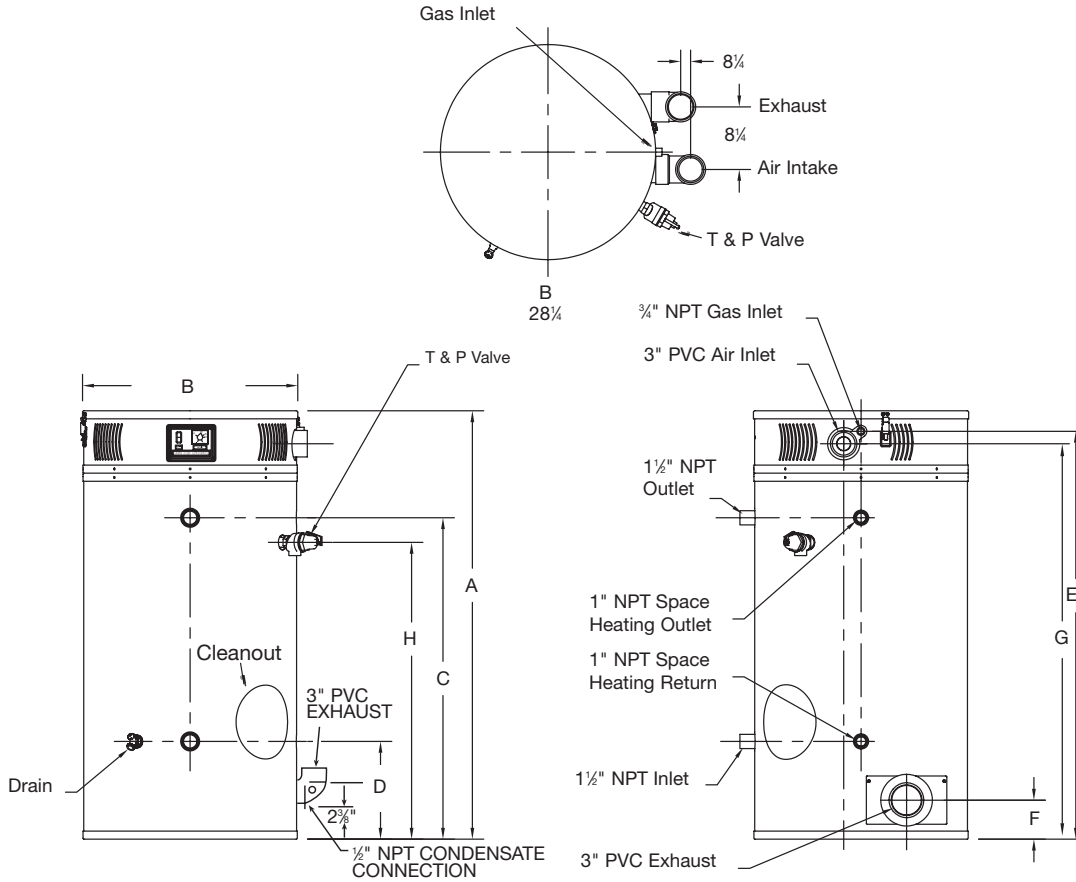
Concentric Vent Terminal Kit—3" termination fitting provides for only one exit opening through wall or roof (p/n 239-44069-01).

NSF Compliance Kit—p/n 265-44542-04.



p/n 239-44069-01

Ultra High Efficiency Water Heaters



NOTE: Diagrams are for both the 60 and 100 gallon models.

eF Series® Commercial Ultra High Efficiency Water Heater

NATURAL GAS AND LIQUID PROPANE GAS

Meet or exceed ASHRAE 90.1b (current standard) C.E.C. Listed
Includes Installed T&P Valve and Electronic Ignition

	Model Number	Input BTU	1 ST Hour Delivery at 100°F Rise				Stg. Capacity U.S. Gal.	Therm. Eff. %	A Floor to Top of Heater in.	B Jacket Dia. in.	C HW Out in.	D Cold In in.	E Floor to Gas Conn. in.	F Floor to Vent Outlet in.	G Floor to Air Intake in.	H Floor to T&P Conn. in.	Water Conn. Dia. in.	Gas Conn. Dia. in.	Relief Valve Open in.	Approx. Shipping Weight lbs.
			Gal.	40°F	100°F	140°F														
V	★ EF-60T-125E-3N(A)	125,000	187	364	145	104	60	96.0	57	28 1/4	42	13	53 1/2	5	52 1/2	40	1 1/2	3/4	3/4	570
V	★ EF-60T-150E-3N(A)	150,000	211	423	169	121	60	93.0	57	28 1/4	42	13	53 1/2	5	52 1/2	40	1 1/2	3/4	3/4	570
V	★ EF-60T-199E-3N(A)	199,999	265	558	223	159	60	92.0	57	28 1/4	42	13	53 1/2	5	52 1/2	40	1 1/2	3/4	3/4	570
V	★ EF-100T-150E-3N(A)	150,000	250	450	180	129	100	99.1	77 3/8	28 1/4	63	13	74 3/4	5	73 1/8	60	1 1/2	3/4	3/4	900
V	★ EF-100T-199E-3N(A)	199,999	309	597	239	171	100	98.5	77 3/8	28 1/4	63	13	74 3/4	5	73 1/8	60	1 1/2	3/4	3/4	900
V	★ EF-100T-250E-3N(A)	250,000	364	735	294	210	100	97.0	77 3/8	28 1/4	63	13	74 3/4	5	73 1/8	60	1 1/2	3/4	1	900
V	★ EF-100T-300E-3N(A)	300,000	405	836	335	239	100	92.0	77 3/8	28 1/4	63	13	74 3/4	5	73 1/8	60	1 1/2	3/4	1	900
V	★ EF-100T-399E-3N(A)	399,999	521	1127	451	322	100	93.0	77 3/8	28 1/4	63	13	73 1/4	5	73 1/8	60	1 1/2	1	1	950

	Model Number	Input kW	1 ST Hour Delivery at 56°C Rise				Stg. Capacity Liters	Therm. Eff. %	A Floor to Top of Heater mm.	B Jacket Dia. mm.	C HW Out mm.	D Cold In mm.	E Floor to Gas Conn. mm.	F Floor to Vent Outlet mm.	G Floor to Air Intake mm.	H Floor to T&P Conn. mm.	Water Conn. Dia. mm.	Gas Conn. Dia. mm.	Relief Valve Open mm.	Approx. Shipping Weight kgs.
			Liters	22°C	56°C	78°C														
V	★ EF-60T-125E-3N(A)	36.6	708	1378	545	394	227	96.0	1448	718	1067	330	1359	128	1324	994	38	19	19	259
V	★ EF-60T-150E-3N(A)	43.9	799	1601	640	458	227	93.0	1448	718	1067	330	1359	128	1324	994	38	19	19	259
V	★ EF-60T-199E-3N(A)	58.6	1003	3112	844	602	227	92.0	1448	718	1067	330	1359	128	1324	994	38	19	19	259
V	★ EF-100T-150E-3N(A)	43.9	946	1703	681	488	379	99.1	1972	718	1600	330	1899	128	1857	1527	38	19	19	408
V	★ EF-100T-199E-3N(A)	58.6	1170	2260	905	647	379	98.5	1972	718	1600	330	1899	128	1857	1527	38	19	19	408
V	★ EF-100T-250E-3N(A)	73.2	1378	2782	1113	795	379	97.0	1972	718	1600	330	1899	128	1857	1527	38	19	25	408
V	★ EF-100T-300E-3N(A)	87.9	1533	3165	1268	905	379	92.0	1972	718	1600	330	1899	128	1857	1527	38	19	25	408
V	★ EF-100T-399E-3N(A)	117.2	1972	4266	1707	1219	379	93.0	1972	718	1600	330	1861	128	1857	1524	38	25	25	431

For propane gas models change suffix "N" to "X" and remove "E" from the model number.
Example: EF-100T-150-3X

V - 115V A.C. Required

• - Electronic Ignition

★ - Listed with California Energy Commission

(A) ASME - All models are available with ASME construction. To order ASME construction add the (A) to the end of the model number. Example: EF-60T-125E-3NA

Note: The weight is the same for both ASME and Non-ASME models.

NSF Construction Available with optional kit

Complies with SCAQMD low NOx requirements — 10.39 ng/joule

Design certified by CSA International (formerly AGA/CGA)

Amp Draw range = 1.0 to 1.8 amps and 7.0 amps for EF-100T-399

150 PSI Working Pressure (1034 kPa), 300 PSI Test Pressure (2068 kPa)

Ultra High Efficiency Water Heaters

All models are design certified by CSA International (formerly AGA/CGA) for up to 180°F (82°C) application as an Automatic Storage Heater, and an Automatic Circulating Tank Heater.

As an Automatic Storage Heater, all models are complete self-contained water heating systems. It needs no separate storage tank, pump, wiring or elaborate piping network. When equipped with a mixing valve, it will supply 180°F (82°C) sanitizing and 140°F (60°C) general purpose hot water simultaneously. These models can be used either as a single unit or as multiples connected in parallel.

Sample Specification

The water heater shall be a Bradford White model EF-_____ with a rated storage capacity of not less than _____ gallons/liters, a minimum gas input of _____ BTU/hr, a minimum recovery of _____ GPH/LPH at 100°F (56°C) temperature rise, and a Thermal Efficiency Rating of ____%. It shall be design certified by CSA International (formerly AGA and CGA) for 180°F (82°C) application, either with or without a separate storage tank. The tank shall be lined with Vitraglas® vitreous enamel and shall have a bolted hand hole cleanout. The tank shall have four extruded magnesium anode rods installed in separate head couplings (up to 300,000 BTU/hr input) or two powered anode rods and one extruded magnesium anode rod (for 399,999 BTU/hr input). This water heater shall be equipped with stainless steel cold water inlet, Hydrojet® Sediment Reduction System. The heater shall be insulated with Non-CFC foam. This water heater shall be equipped with an electronic ignition system, an ASME rated T&P relief valve and a premix closed combustion system for direct venting using either 3" (76mm) or 4" (102mm) PVC, CPVC or ABS vent pipe. (115V AC required). The water heater shall be factory assembled and tested. The water heater shall be approved for zero inch clearance to combustibles. The control shall be an adjustable electronic thermostat to any temperature up to 180°F (82°C). A recycling Energy Cut Off (E.C.O.) shuts off all gas in the event of an overheat condition. The entire installation shall be made in compliance with state and local codes and ordinances.

Dimensions and specifications subject to change without notice in accordance with our policy of continuous product improvement.



Ambler, PA

For U.S. and Canada field service, contact your professional installer or local Bradford White sales representative.

Sales 800-523-2931 • Fax 215-641-1670 / Technical Support 800-334-3393 • Fax 269-795-1089 • Warranty 800-531-2111 • Fax 269-795-1089

International: Telephone 215-641-9400 • Telefax 215-641-9750 / Fax on Demand 888-538-7833 / www.bradfordwhite.com

BRADFORD WHITE - CANADA INC. Sales / Technical Support 866-690-0961 / 905-238-0100 • Fax 905-238-0105 / www.bradfordwhitecanada.com

Count On Bradford White
For *Everything* Hot Water™

©2006, Bradford White Corporation. All rights reserved.