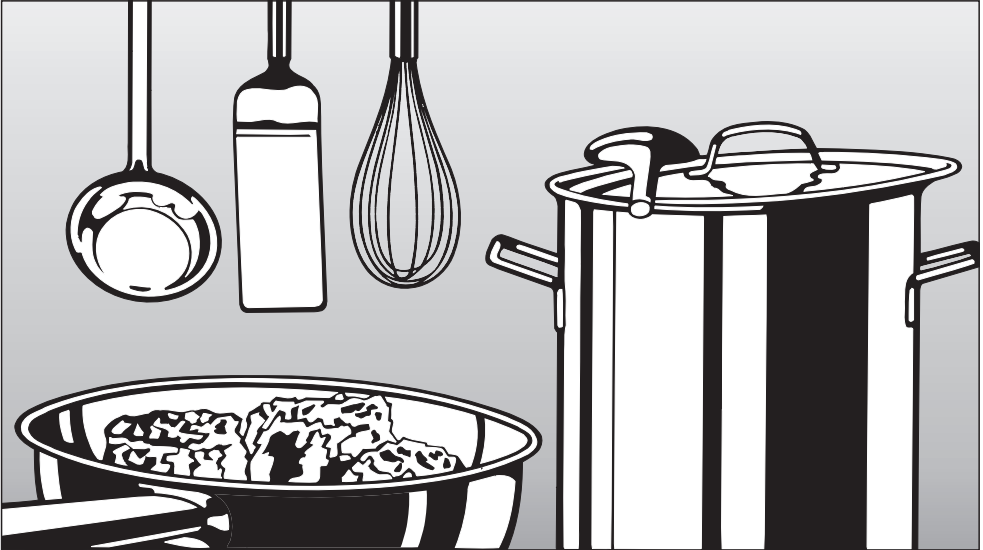


# Miele

## Operating and installation instructions



## Ceramic hob with induction KM 5722

To avoid the risk of accidents or damage to the appliance, it is **essential** to read these instructions before it is installed and used for the first time.



M.-Nr. 06 998 390

# Contents

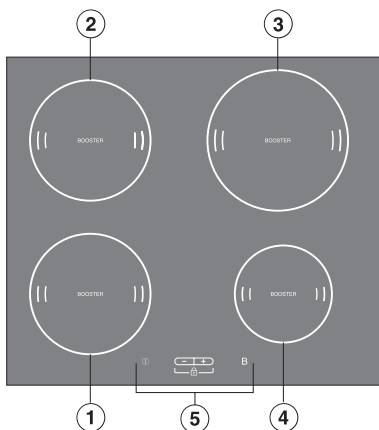
---

<b>Guide to the appliance</b> .....	4
Hob .....	4
Control panel .....	4
Cooking zone display .....	5
Cooking zones .....	5
<b>Warning and Safety instructions</b> .....	6
<b>Caring for the environment</b> .....	13
<b>Before using for the first time</b> .....	14
<b>Induction</b> .....	15
How it works .....	15
Noises .....	16
Pans .....	17
<b>Operation</b> .....	18
Sensor switches .....	18
Switching on .....	19
Settings .....	20
Auto heat-up .....	21
Booster function .....	22
Switching off and residual heat indicators .....	23
<b>Safety features</b> .....	24
Safety lock .....	24
Safety switch-off .....	25
Overheating protection .....	26
<b>Cleaning and care</b> .....	27
<b>Programming</b> .....	29
<b>Problem solving guide</b> .....	30
<b>After sales service, data plate</b> .....	32

<b>Installation</b> . . . . .	33
Safety instructions for installation . . . . .	33
Installation above an oven . . . . .	37
Preparing the worktop . . . . .	39
Installing the hob . . . . .	39
Sealant . . . . .	40
Electrical connection . . . . .	41
Wiring diagram . . . . .	43

# Guide to the appliance

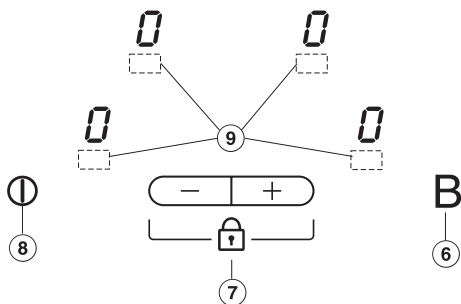
## Hob



①②③④ Cooking zones

⑤ Control panel

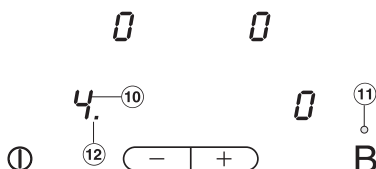
## Control panel



### Sensor switches for:

- ⑥ Booster
- ⑦ Power level and safety lock
- ⑧ Hob ON/OFF
- ⑨ Cooking zones ON/OFF

## Cooking zone display



### ⑩ Displays:

- 0** = Cooking zone ready for use
- 1 to 9** = Power levels
- ≡** = Residual heat
- U** = No pan on cooking zone or pan unsuitable (see "Induction")
- P** = Booster
- PD** etc. = Programme (see "Programming")
- SD** etc. = Status (see "Programming")

### ⑪ Indicator lamp for booster

### ⑫ Indicator lamp for Auto heat-up or extended power setting (see "Programming"), e.g. the front left cooking zone

## Cooking zones

Cooking zone	minimum to maximum Ø in cm*	Rating in watts for 230 V**
	14 - 20	normal: 1850 with booster: 2500
	14 - 20	normal: 1850 with booster: 2500
	16 - 23	normal: 2300 with booster: 3200
	10 - 16	normal: 1400 with booster: 1800
		Total: 7400

\* Pans of any diameter within the given range may be used.

\*\* The wattage quoted may vary depending on the size and material of the pans used.

# Warning and Safety instructions

---

To avoid the risk of accidents and damage to the appliance, please read these instructions carefully before using it for the first time. They contain important notes on its installation, safety, use and maintenance.

The use of the appliance by the elderly or infirm or those who have not used the appliance before should be supervised by a competent and responsible person to avoid the risk of injury.

A data plate for your appliance is supplied with this documentation. It should be stuck into the space provided at the end of the instruction book.

Keep these instructions in a safe place for reference, and pass them on to any future user.

## Technical safety

■ The appliance must be installed and connected by a suitably qualified and competent person in strict accordance with current local and national safety regulations. The manufacturer cannot be held liable for damage caused by incorrect installation or connection.

■ The electrical safety of this appliance can only be guaranteed when continuity is complete between it and an effective earthing system which complies with current local and national safety regulations. It is most important that this basic safety requirement is present and regularly tested, and where there is any doubt, the household wiring system should be inspected by a qualified electrician. The manufacturer cannot be held liable for the consequences of an inadequate earthing system (e.g. electric shock).

■ Do not connect the appliance to the mains electricity supply by an extension lead. Extension leads do not guarantee the required safety of the appliance (e.g. danger of overheating).

# Warning and Safety instructions

---

■ Never open the casing of the appliance.

Tampering with electrical connections or components is highly dangerous to the user and can cause operational faults.

■ On hobs with bevelled glass edges a small gap may be visible between the hob and the worktop during the first few days after installation. This gap will reduce with time as the appliance is used and will not affect the electrical safety of your appliance.

## Correct usage

■ For safety reasons this appliance must only be operated after it has been built in. This is necessary to ensure that all electrical components are shielded.

■ This appliance is intended for domestic use only and is not to be used for commercial purposes.

■ If the hob is built in over a pyrolytic oven, the hob should not be used whilst the pyrolytic process is being carried out, as this could trigger the overheating protection mechanism on the hob (see relevant section).

■ Use this appliance for the preparation of food only. Any other usage is at the owner's risk and could be dangerous. The manufacturer cannot be held liable for damage resulting from incorrect or improper use or operation.

# Warning and Safety instructions

---

## Safety with children

■ Use the safety lock to prevent children operating the appliance or altering the settings.

■ The appliance is only intended for use by adults who have read these instructions.

■ This appliance is not a toy! To avoid the risk of injury, keep children well away, and do not allow them to play with it or use the controls. They will not understand the potential dangers posed by it. They should be supervised whenever you are working in the kitchen.

■ Older children may use the appliance only when its operation has been clearly explained to them and they are able to use it safely, recognising the dangers of misuse.

■ The appliance gets hot when in use and remains hot for quite a while after being switched off. To safeguard against burning, keep children well away from the appliance at all times.

■ Do not store anything which might arouse a child's interest in storage areas above or next to the appliance. Otherwise they could be tempted into climbing onto the appliance with the risk of burning themselves.

■ Keep all pans out of reach of children. Turn pan handles inwards away from the edge of the hob. Danger of burning or scalding. Special hob guards are available from good retail outlets.

■ Packaging, e.g. cling film, polystyrene and plastic wrappings, must be kept out of the reach of babies and young children. Danger of suffocation. Dispose of or recycle all packaging safely as soon as possible.

■ Old appliances must be disconnected from the power supply, any plug rendered useless and the cable cut off directly behind the appliance to prevent misuse. This should be done by a competent person.



# Warning and Safety instructions

---

## Protecting the appliance from damage

Do not drop anything on the ceramic surface. Even a light object could cause damage in certain circumstances.

Do not use pots or pans on the ceramic hob with bases with pronounced edges or ridges, e.g. cast iron pans. These could scratch or scour the hob surface permanently. Grains of salt and sand can also scratch.

Do not allow either solid or liquid sugar, or pieces of plastic or aluminium foil to get onto the cooking zones when they are hot. If this should occur, switch off the appliance, and carefully, scrape off all the sugar, plastic or aluminium residues from the hob whilst they are still hot, using a shielded scaper blade. Take care not to burn yourself.

If residues are allowed to cool before being removed, the ceramic surface will be susceptible to pitting or even cracking.

Clean the appliance once it has cooled down.

Do not use a steam cleaner to clean this appliance. The steam could attack the electrical components and cause a short circuit. Pressurised steam could cause permanent damage to the surface and to other components, for which the manufacturer cannot accept liability.

Never place hot pans near the control area. This could damage the electronic unit underneath.

This hob is fitted with a cooling fan. If a drawer is fitted directly underneath the hob, ensure that there is sufficient space between the drawer and its contents and the underside of the appliance in order to ensure sufficient ventilation for the hob. Do not store small items or paper in the drawer. They could get in through the ventilation slots or be sucked into the housing by the fan and damage the fan or impair cooling.

In countries where there are areas which may be subject to infestation by cockroaches or other vermin, pay particular attention to keeping the appliance and its surroundings in a clean condition at all times. Any damage caused by cockroaches or other vermin will not be covered by the guarantee.

# Warning and Safety instructions

---

## Protection from burning and scalding

■ The appliance gets hot when in use and remains hot for quite a while after being switched off. There is a danger of burning until the residual heat indicators go out.

■ For added protection, it is advisable to use heat-resistant pot holders or gloves when using the appliance. Do not let them get damp or wet, as this causes heat to transfer through the material more quickly with the risk of scalding or burning yourself.

■ Do not heat up unopened tins of food on the hob, as pressure will build up in the tin and it can explode. This could result in injury and scalding or damage.

■ Do not use the appliance as a resting place for anything else. Take particular care never to place cutlery or other metal objects on the hob. When the appliance is switched on either deliberately or by mistake, or when there is residual heat present, there is the risk of metal objects heating up, with a danger of burning. Depending on the material, other objects left on the hob could also melt or catch fire.

Damp pan lids might adhere to the ceramic surface and be difficult to dislodge.

Switch the cooking zones off after use.

■ Do not cover the appliance, e.g. with a cloth, kitchen foil, etc. This could be a fire hazard if the appliance is switched on by mistake.

■ Never leave the appliance unattended when cooking with oil or fat as these are fire hazards if overheated. Very hot oil can catch fire and could even set a cooker hood above on fire. Always heat fat slowly, watching as it heats.

■ If, despite this, oil or fat does catch fire, do not attempt to put out the flames with water. Use a suitable fire blanket, saucepan lid, damp towel or similar to smother the flames.

■ Do not flambé under a cooker hood. The flames could set the cooker hood on fire.

# Warning and Safety instructions

---

## Appliance faults

■ In the event of damage or a defect, switch off the appliance immediately. Disconnect completely from the electricity supply. If the appliance has not yet been fully installed, the electricity cable must be disconnected from the supply point. If connected via a plug and socket, switch off at the socket and withdraw the plug. Contact the Miele Service Department. Do not reconnect the appliance to the mains electricity supply until after it has been repaired.

■ If there is any damage to the ceramic surface, the appliance must be disconnected from the mains electricity supply immediately, and not used until it has been repaired. Danger of electric shock.

■ Repairs may only be carried out by a suitably qualified and competent person. Repairs and other work by unqualified persons could be very dangerous and could damage the appliance. The manufacturer cannot be held liable for unauthorised work. Never open the housing of the appliance.

■ While the appliance is under guarantee, repairs should only be undertaken by a service engineer authorised by the manufacturer. Otherwise the guarantee is invalidated.

# Warning and Safety instructions

---

## Futher safety notes

■ For people fitted with a heart pacemaker:

Please note that the area immediately surrounding the hob is electromagnetically charged, and that this could affect a pacemaker. If in any doubt, consult the manufacturer of the pacemaker or your doctor.

■ Ensure pans are placed centrally over the cooking zone to prevent unnecessary exposure to the electromagnetic field.

■ When using an electric socket near the appliance, care should be taken that the cable of the electrical appliance does not come into contact with the hot appliance. The insulation on the cable could become damaged, giving rise to an electric shock hazard.

■ Always ensure that food is sufficiently cooked or reheated. Many factors will affect the overall cooking time, including the size and amount of food and its temperature. Some foods may contain micro-organisms which are only destroyed by thorough cooking at a sufficiently high temperature for long enough. Therefore when cooking or reheating food such as poultry, it is particularly important the food is completely cooked through. If in doubt, select a longer cooking or reheating time.

■ Do not use plastic or aluminium foil containers. These melt at high temperatures and could damage the ceramic surface. Fire hazard.

■ To prevent damage to items which are susceptible to magnetic fields, e.g. credit cards, diskettes, pocket calculators etc, do not leave them in the immediate vicinity of the hob.

■ Spray canisters, aerosols and other inflammable substances must not be stored in a drawer under the hob. Cutlery inserts must be heat-resistant.

### Disposal of the packing material

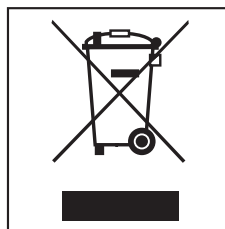
The transport and protective packing has been selected from materials which are environmentally friendly for disposal and can normally be recycled.

Packaging, e.g. cling film, polystyrene and plastic wrappings, must be kept out of the reach of babies and young children. Danger of suffocation.

Dispose of or recycle all packaging materials safely as soon as possible.

### Disposal of your old appliance

Electrical and electronic appliances often contain materials which, if handled or disposed of incorrectly, could be potentially hazardous to human health and to the environment. They are, however, essential for the correct functioning of your appliance. Please do not therefore dispose of your old appliance with your household waste.



Please dispose of it at your local community waste collection/recycling centre and ensure that it presents no danger to children while being stored for disposal.

It should be unplugged or disconnected from the mains electricity supply by a competent person. The plug must be rendered useless, and the cable cut off directly behind it to prevent misuse. See the "Warning and Safety" section of this booklet for further details.

## Before using for the first time

---

### **Cleaning and heating up for the first time**

Before using for the first time, clean the appliance with a damp cloth only and then wipe dry.

Do not use washing up liquid to clean the ceramic surface as it can leave a blue sheen which may be difficult to remove.

Metal components have a protective coating which may give off a slight smell when heated up for the first time. The smell and any vapours will dissipate after a short time, and do not indicate a faulty connection or appliance.

## How it works

An induction coil is located under each cooking zone. When a cooking zone is switched on, this coil creates a magnetic field which impacts directly on the base of the pan and heats it up. The cooking zone itself is heated up indirectly by the heat given off by the pan.

Induction cooking zones only work when a ferromagnetic pan is placed on it (see "Pans").

Induction automatically recognises the size of the pan, i.e. heat is only generated in the area covered by the base of the pan.

The cooking zone will not work:

- if it is switched on without a pan in place, or if the pan is unsuitable (non-magnetic base).
- if the diameter of the base of the pan is too small.
- if the pan is taken off the cooking zone when it is switched on.

If this happens,  $\mathcal{E}$  will flash in the relevant cooking zone display alternating with  $\mathcal{D}$  or the last power setting selected .

If a suitable pan is placed on the cooking zone within 3 minutes, the  $\mathcal{E}$  will go out and you can continue as normal.

If no pan or an unsuitable pan is placed on the cooking zone, the cooking zone and the hob will switch off automatically after 3 minutes.

Take particular care never to place cutlery or other metal objects on the hob. When the appliance is switched on, either deliberately or by mistake, or when there is residual heat present, there is the risk of metal objects heating up, with a danger of burning.

Depending on the material, other objects left on the hob could also melt or catch fire. Switch the zones off after use.

# Induction

---

## Noises

When using an induction cooking zone, the following noises can occur in the pan, depending on what it is made of and how it has been constructed.

- On the higher power settings, it might buzz. This will decrease or cease altogether when the power setting is reduced.
- If the pan base is made of layers of different materials (e.g. in a sandwiched base), it might emit a cracking sound.
- Whistling might occur if linked zones (see "Booster function") are being used on the highest setting at the same time, and the pans also have bases made of layers of different materials.
- You might hear a clicking sound from the electronic switches, especially on lower settings.

The appliance has a cooling fan to help extend the life of the electronics. When the hob is being used intensively, this will come on and you will hear a whirring sound. The fan may continue to run after the appliance has been switched off.



## Pans

### Suitable pans include:

- stainless steel pans with a magnetic base
- enamelled steel pans
- cast iron pans

### Unsuitable pans:

- stainless steel pans without a magnetic base
- aluminium and copper pans
- glass, ceramic or earthenware pots and pans

To test whether a pot or pan is suitable for use on an induction hob, hold a magnet to the base of the pan. If the magnet sticks, the pan is suitable.

Please be aware that the properties of the pan base can affect the evenness with which food heats up in the pan.

Unless the pan manufacturer states that you can do so, do not use pans with very thin bases on this hob, and never heat up empty pans as they could get damaged. This could also damage the appliance.

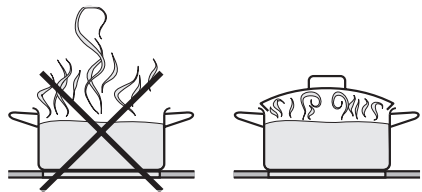
## Pan size

To make optimum use of the cooking zones, choose pans with diameters larger than the innermost markings but smaller than the outermost markings. If the diameter of the pan is smaller than the innermost marking, the induction heating will not work. The zone will behave as if it had no pan on it.

Please note that the maximum diameter quoted by manufacturers often refers to the diameter of the top rim of the pot or pan. The diameter of the base (generally smaller) is more important.

## Tips on saving energy

Use a pan lid whenever possible to minimise heat loss.



uncovered

covered

# Operation

---

## Sensor switches

This hob is equipped with electronic sensor switches which react to finger contact.

To operate a cooking zone, touch the relevant sensor switch. Each time you touch a sensor switch, an audible tone sounds.

Take care to keep the control area clean. Do not place anything on the control area. The sensor switches may fail to react or they could mistake the article or any dirt for a fingertip contact, thereby activating a function or even causing the hob to switch off automatically (see Safety switch-off.)

Never place hot pans on the sensor switches. The electronic unit underneath could get damaged.

## Switching on

The hob must be switched on before any of the zones can be used.

### To switch the hob on:

- Touch the ON/OFF sensor ①.

⏻ appears in each of the cooking zone displays. If no further entry is made, the hob will switch itself off after a few seconds for safety reasons.

### To switch a cooking zone on:

- Briefly touch the area under the cooking zone display required once.

A ⏻ will flash in the display.

- Whilst the ⏻ is flashing, select a power setting of between 1 and 9 by touching the - or + sensor.

To select cooking **with** Auto heat-up, press the - sensor first (see "Auto heat-up"). To select cooking **without** Auto heat-up press the + sensor first.

The power setting selected flashes in the display for a few seconds to start with and then lights up constantly.

To change a power setting which has already been set, touch the sensor for the relevant zone once briefly. The power setting can then be changed using the - and + sensors.

# Operation

---

## Settings

<b>Cooking process</b>	<b>Settings*</b>
Melting butter Dissolving gelatine	1 - 2
Warming small quantities of food/liquid Keeping warm food which sticks easily Cooking rice Defrosting frozen vegetables	3
Warming liquid and semi-solid foods Thickening sauces, e.g. Hollandaise Making porridge Preparing omelettes, lightly fried eggs Steaming fruit	4
Defrosting deep frozen food Steaming vegetables, fish Cooking broths, pulse soups	5
Bringing large quantities of food to the boil Cooking dumplings	6
Gentle braising (without overheating the fat) of meat, fish, vegetables, fried eggs	7
Frying pancakes etc.	8
Boiling large quantities of water Bringing to the boil	9

\* These settings, which envisage approx. 4 servings, should only be taken as a guide. With deep pans, large quantities or when cooking without the lid on, a higher setting is needed. For smaller quantities, select a lower setting.

## Auto heat-up

When Auto heat-up has been activated, the cooking zone switches on automatically at the highest setting and then switches to the continued cooking setting which you have previously selected. The heat-up time depends on which continued cooking setting has been chosen (see chart).

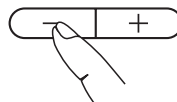
Taking a pan off the zone whilst Auto heat-up is in operation interrupts the Auto heat-up. It will resume if a pan is placed back on the zone within 3 minutes.

Continued cooking setting	Heat-up time in minutes and seconds (approx.)
1	0 : 15
2	0 : 15
3	0 : 25
4	0 : 50
5	2 : 00
6	5 : 50
7	2 : 50
8	2 : 50
9	-

## How to activate Auto heat-up

- While a  $\text{⓪}$  is flashing in the cooking zone display, touch the - sensor until the required continued cooking setting appears, e.g. 5.

5.



During the heat-up time a dot will light up to the right of the continued cooking setting, and go out at the end of it.

At any point during the Auto heat-up time you can use - or + to lower or increase the continued cooking setting. The Auto heat-up time will alter accordingly.

# Operation

---

## Booster function

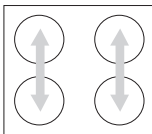
All of the cooking zones are equipped with a booster function, i. e. an increase in the power level.

If activated, the zones will operate on power setting **9** with an extra boost of power for a period of 10 minutes. This booster is intended for quickly bringing large quantities of water to the boil, e.g. when cooking pasta.

A maximum of two booster functions can be used at any one time.

Taking a pan off the zone whilst the booster is in operation interrupts the booster function. It will resume if a pan is placed back on the zone within 3 minutes.

The extra boost of energy is only available by taking a proportion of energy away from another cooking zone. For this reason, the cooking zones are networked in pairs as shown.



When the booster is switched on, the following happens:

- if Auto heat-up is activated on either zone in the same network, this will be switched off.
- the power level on the other linked cooking zone will sometimes decrease.

## To switch the booster on:

- Touch the sensor for the relevant cooking zone.
- Press the **B** sensor.

A **P** will start to flash in the display for the cooking zone, and the indicator lamp for the booster will light up.

After a few seconds, **P** will light up constantly and the indicator lamp will go out.

After 10 minutes, the zone will automatically revert to power setting **9**.

## To switch the booster off:


- Touch the sensor for the relevant cooking zone.
- Press the booster sensor switch **B** or - for the relevant cooking zone.

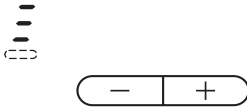
If a power setting is selected before the booster function is switched on, the zone will revert to this pre-selected power setting when the booster is switched off, or automatically at the end of the booster time.

## Switching off and residual heat indicators

### To switch off a cooking zone:

- Touch the sensor switch for the relevant cooking zone twice.

A  flashes in the cooking zone display for a few seconds. If the cooking zone is still hot, the residual heat indicator will then appear in the display.



### To switch off the hob:

- Touch the ON/OFF sensor .

This switches off all cooking zones. The residual heat indicator will appear in the display of any cooking zone which is still hot.

The lines of the residual heat indicator go out one after another as the cooking zones cool down. The last horizontal line only goes out when the cooking zone is safe to touch.

The residual heat indicators also react to hot dishes and plates being placed on a cooking zone that is not switched on.

Do not touch any zone or place any heat sensitive items on a zone where the residual heat indicators are lit up.

Danger of burning.

# Safety features

---

## Safety lock

Keep children away from the hob for their own safety.

Your appliance is equipped with a safety lock to prevent the hob and the cooking zones being switched on or any settings being altered.

The safety lock can be activated when the hob is switched off as well as when it is in use.

If the safety lock is activated **when the hob is switched off**, then the hob cannot be switched on.

If the safety lock is activated **when the hob is in use**, please note the **following**:

- The settings for the cooking zones cannot be changed.
- The cooking zones and hob can be switched off, but once switched off cannot be switched on again.

To **activate** the safety lock, touch the **-** and **+** sensors **at the same time** until you hear the audible tone.

When touching a sensor for a zone when the safety lock is activated, the audible signal emitted is slightly longer than normal.

To **de-activate** the safety lock, touch the **-** and **+** sensors **at the same time** until you hear the audible tone.

Please note that the safety lock will deactivate if there is a power cut.



## Safety switch-off

### Safety switch-off with an over-long cooking time

Your hob is fitted with a safety switch-off feature in case you forget to switch it off yourself.

If one of the cooking zones is heated for an unusually long period of time (see chart), and the power settings are not altered, the hob will switch itself off automatically and the appropriate residual heat indicator will appear.

Power setting	Maximum operating time in hours
1	10
2	10
3	5
4	4
5	3
6	3
7	2
8	2
9	1

### Safety switch-off if the sensors are covered

Your hob will switch itself off automatically if one or several of the sensor controls remain covered for more than about 10 seconds, for example by finger contact, food boiling over, or by an object such as an oven glove or a tea towel. The residual heat symbol will light up in the display of any cooking zones that are still hot.

- Clean the control area or remove the obstruction.
- Switch the hob back on again with the ON/OFF sensor ①. The cooking zones can now be used again as normal.

- To use the cooking zone again, switch it back on in the usual way.

# Safety features

---

## Overheating protection

All of the induction coils and the cooling element for the electronics are fitted with an overheating protection mechanism. To prevent the induction coils and cooling element from overheating, the overheating protection mechanism works on the affected cooking zone or on the entire hob in the following ways:

- If the booster function is being used, this will be switched off.
- The power level will be reduced.
- If an induction coil is affected, the affected cooking zone will be switched off automatically.

The cooking zone can be used again as soon as it has cooled down to a safe level.

- If the cooling element is affected, the cooking zones will be switched off automatically.

The cooking zones can be used again as usual, as soon as the cooling element has cooled down to a safe level.

Overheating can be caused by:

- heating up an empty pan
- fats or oils being heated up on the highest power setting.
- there being insufficient ventilation to the underside of the appliance.

If the overheating protection mechanism triggers again, contact the Service department.

Do not use a steam cleaner to clean this appliance. The steam could reach electrical components and cause a short circuit. Pressurised steam could also cause permanent damage to the surface and to components, for which the manufacturer cannot accept liability.

Do not use any sharp objects which could damage the seal between the ceramic surface and the surrounding frame and between the frame and the worktop.

Never use cleaners containing sand, soda, alkalis, acids or chlorides, oven sprays, dishwasher detergents, nor steel wool, abrasive cleaning agents, hard brushes, scouring pads and cloths. You should also avoid using sponges etc. which have previously been used with abrasive cleaning agents, as this will damage the surface.

Do not use washing up liquid to clean the ceramic surface as it can leave a blue sheen which may be difficult to remove.

Clean the appliance regularly, preferably after each use. Allow the hob to cool down before cleaning.

To prevent the risk of spillages burning on, remove any soiling as soon as possible, and ensure that pan bases are clean, dry and free of grease.

Most soiling can be wiped off using a damp cloth. Stubborn soiling may need to be removed with a shielded scraper blade.

After cleaning, dry thoroughly with a soft cloth to prevent a build-up of limescale deposits

To remove any limescale deposits, caused for example by water boiling over as well as metallic marks e.g. from saucepan bases, the ceramic surface can be cleaned using a proprietary cleaning agent for ceramic surfaces (available from the Miele Spare Parts Department). Follow the manufacturer's instructions on the packaging.

Finally, wipe the hob surface with a damp cloth and then dry it with a clean soft cloth. Ensure that every trace of cleaner has been removed from the surface. Any remaining trace could have a corrosive effect on the hob when it is next heated up.

Note that some cleaning agents contain a protective additive designed to prevent water marks and smears adhering to the surface.

### **E-Cloth**

A microfibre "E-Cloth" is available from the Miele UK Spare Parts Department which is suitable for cleaning surfaces such as stainless steel, glass, plastic and chrome without the use of chemicals.

## Cleaning and care


---

Should any **sugar, plastic or aluminium foil** spill or fall on to a hot cooking zone while it is in use, first switch off the appliance. Then carefully scrape off all the sugar, plastic or aluminium residues from the hob whilst they are still hot, using a shielded scraper blade. Take care not to burn yourself.

Allow the cooking zone to cool down, and then clean as described above with a suitable proprietary ceramic hob cleaner.

Appliances with **aluminium frames** (see data plate) are prone to scratching, alkali and acid damage. Take great care when cleaning the aluminium frame. Do not use cleaning agents for stainless steel or descaling agents on aluminium surfaces. Soiling should be wiped off as soon as possible after using the appliance. If the soiling is left for a long time it can have a damaging effect on the aluminium surfaces. Intensive cleaning with proprietary ceramic cleaners can cause the frames to take on a shiny appearance.

You can change the standard settings of your hob.

- With the hob switched off, touch the hob ON/OFF sensor  and the booster sensor **B at the same time**, until **P** (Programme), **S** (Status) and numbers appear in the cooking zone display. These show the current setting.

### To set the programme:

- Touch the **front left** cooking zone sensor.

The relevant number will begin to flash.

- Touch the **+** or **-** sensors to set the required programme.

### To set the status:

- Touch the **front right** cooking zone sensor.

The relevant number will begin to flash.

- Touch the **+** or **-** sensors to set the required status.

To store the new settings in **memory**, touch the **B** sensor until the displays go out.

If you **do not** wish to store the settings in memory, touch the ON/OFF sensor until the displays go out.

Programme	Status*	Setting
<b>P 0</b> Demonstration mode and factory default settings	S 0	Demonstration mode on
	<b>S 1</b>	Demonstration mode off
	S 9	Factory default settings reinstated
<b>P 1</b> Keypad tone when a sensor is touched	S 0	Off
	<b>S 1</b>	On

\* The factory default settings are shown in bold.

# Problem solving guide

---

Installation work and repairs to electrical appliances must only be carried out by a suitably qualified and competent person in strict accordance with current local and national safety regulations. Repairs and other work by unqualified persons could be dangerous. The manufacturer cannot be held liable for unauthorised work.

## What to do if, ...

### **... the hob or cooking zones cannot be switched on**

Check whether

- the pans being used are suitable.
- the safety lock is activated.  
If necessary, deactivate it (see "Safety lock").
- the mains fuse has blown.

If none of the above is the case, then disconnect the appliance from the electricity supply for approx. 1 minute.

To do this:

- switch off at the mains, or
- withdraw the mains fuse.

Reset the trip switch in the mains fuse box, and switch the appliance back on.

If it still will not switch on, contact a qualified electrician or the Miele Service Department.

### **... the hob can be switched on and settings selected, but the cooking zones do not heat up**

Check whether you set the demo-mode setting by mistake (see "Programming - P0").

### **... an $\text{E}$ appears in the display for a cooking zone**

Check whether

- the zone was switched on by mistake without a pan on it.
- the pan being used is suitable for use on an induction zone, and that it is large enough (see "Suitable pans").

### **... an individual cooking zone or the whole hob has switched itself off automatically**

The safety switch-off feature or the overheating protection mechanism has been triggered (see "Safety switch-off" and "Overheating protection").

### **... one of the following has occurred:**

- The booster has automatically switched off early.
- The power level has reduced.

The overheating protection mechanism has been triggered (see "Overheating protection").

### **... the food in the pan hardly heats up or does not heat up at all when the Auto heat-up function is switched on**

This could be because:

- there is too much food in the pan.
- the pan is not conducting heat properly.

Select a higher continued cooking setting next time, or start cooking at the highest setting and then turn down to a lower setting manually later on.

### **... The cooling fan continues to run after the appliance has been switched off**

This is not a fault. The fan will continue running until the appliance has cooled down. It will then switch itself off automatically.

## After sales service, data plate

---

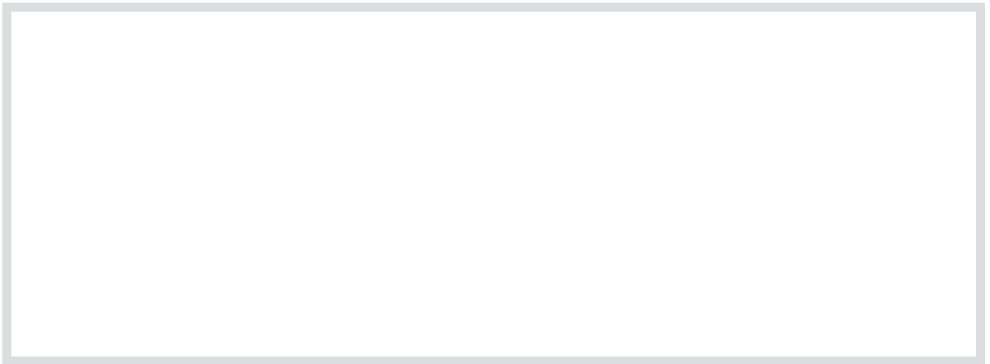
In the event of any faults which you cannot remedy yourself, or if the appliance is under guarantee, please contact:

- Your Miele dealer, or
- the Miele Service Department (see back cover for address).

When contacting the Service Department, please quote the model and serial number of your appliance, which are given on the data plate.

Please note that telephone calls may be monitored and recorded for training purposes.

Space in which to stick the extra data plate supplied with the appliance. Ensure that the model number is the same as the one on the front of these instructions.





## Safety instructions for installation

Fit wall units and extractor hood before fitting the hob to avoid damaging the surface.

The veneer or laminate coatings of worktops (or adjacent kitchen units) must be treated with 100 °C heat-resistant adhesive which will not dissolve or distort. Any backmoulds must be of heat-resistant material.

This equipment may only be used in mobile installations such as ships, caravans, aircraft etc. if a risk assessment has been carried out by a suitably qualified engineer.

The hob may not be built in over a fridge, fridge freezer, freezer, dishwasher, washing machine or tumble dryer.

These hobs must not be installed above ovens or cookers unless these have a built-in cooling down fan.

After installing the hob, ensure that the connection cable cannot come into contact with the underside of the appliance. Make sure that there is no mechanical obstruction, such as a drawer, which could damage it.

If a protective shelf is installed under the built-in hob, there must be a minimum distance of 190 mm between it and the top of the worktop to allow for ventilation to the appliance. A gap of 10 mm is required at the back for feeding the electrical cable through.

Observe carefully the safety distances given on the following pages.

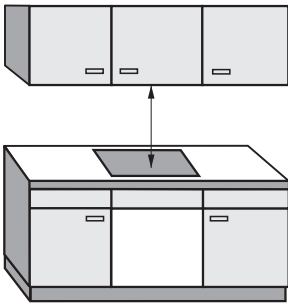
Do not use any sealant except where expressly instructed to do so. The seal underneath the appliance provides a sufficient seal for the worktop (see "Sealant").

All dimensions in this instruction booklet are given in mm.

# Installation

---

## Safety distance above the hob



When two or more appliances are installed together below a cooker hood, e.g. an electric hob and a gas wok combiset, which have different safety distances given in the installation instructions, you should select the greater distance of the two.

A minimum safety distance must be maintained between the hob and the cooker hood above it. See the cooker hood manufacturer's operating and installation instructions for details.

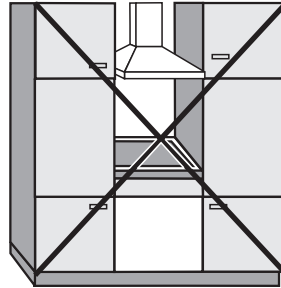
If the manufacturer's instructions are not available for the cooker hood, a minimum safety distance of at least 760 mm must be maintained. For any flammable objects, e.g. utensil rails, wall units etc. a minimum distance of at least 760 mm must be maintained between them and the hob below.

## Safety distances to the sides of the hob

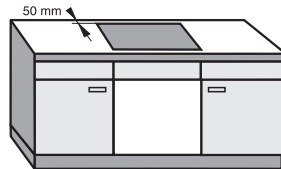
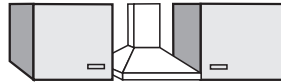
Ideally the hob should be installed with plenty of space on either side. There may be a wall at the rear and a tall unit or wall at one side. On the other side, however, no unit or divider should stand higher than the hob (see illustrations).

The following minimum distances should be adhered to for safety reasons:

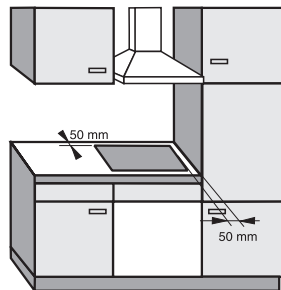
- 50 mm to the right or left of the worktop cut-out to the nearest piece of furniture (e.g. tall unit).
- 50 mm from the worktop cut-out to the rear wall.



Not allowed



Recommended



Not recommended

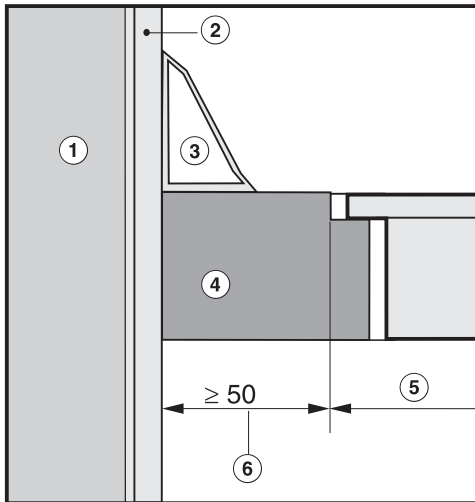
# Installation

## Safety distance when installing the appliance near a wall with additional niche cladding

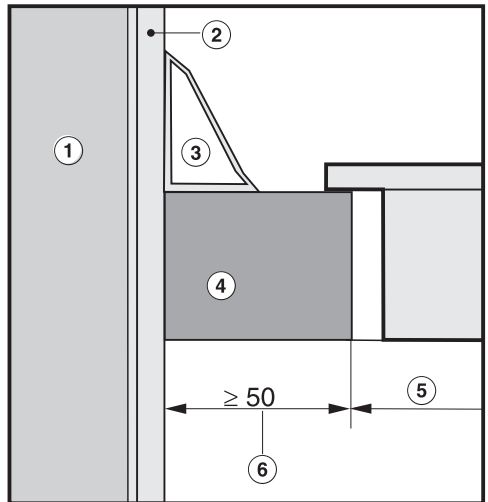
There must be a minimum distance of 50 mm between the niche cladding and the worktop cut-out.

This distance is only necessary for niche cladding made of wood or any other combustible material. For non-combustible materials (metal, ceramic tiles or similar), this dimension can be reduced by the thickness of the niche cladding material. The materials can warp or distort when subjected to high temperatures.

### Flush-fitted hobs

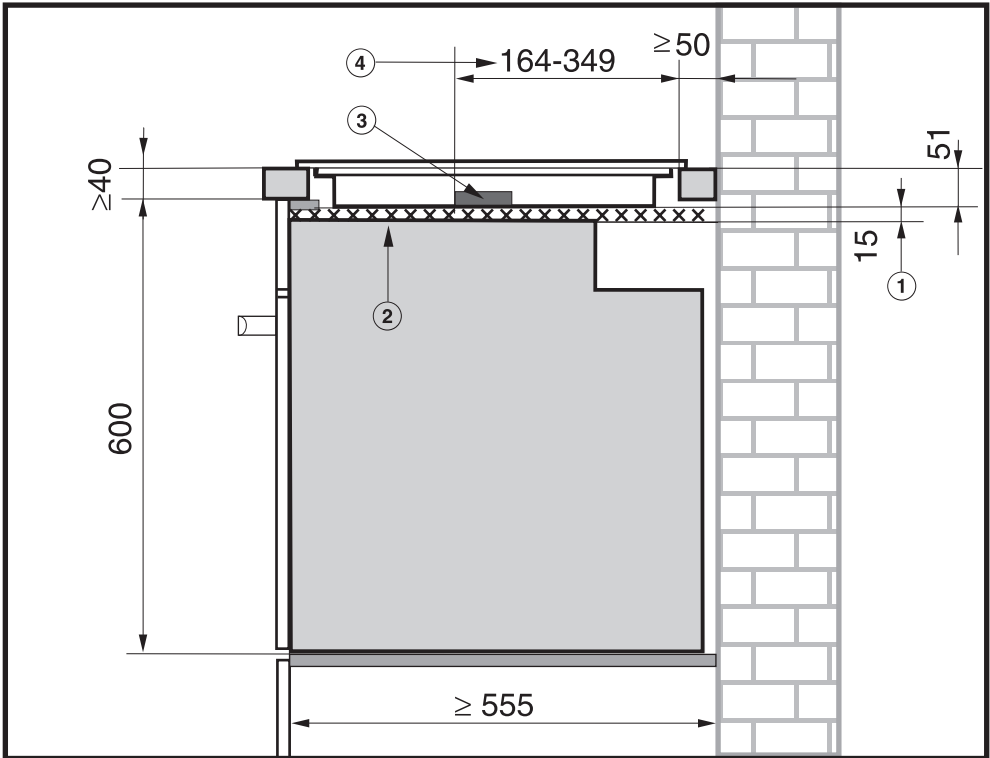



### Hob with frame or bevelled edge



- ① Masonry
- ② Niche cladding
- ③ Backmould
- ④ Worktop
- ⑤ Worktop cut-out
- ⑥ Minimum distance of 50 mm

## Installation above an oven



①  Ventilation gap for the fan when installed in a base unit without a back panel.

② Top of oven

③ Induction hob fan

④ Distance between the front edge of the fan and the worktop cut-out (depending on the type of hob)

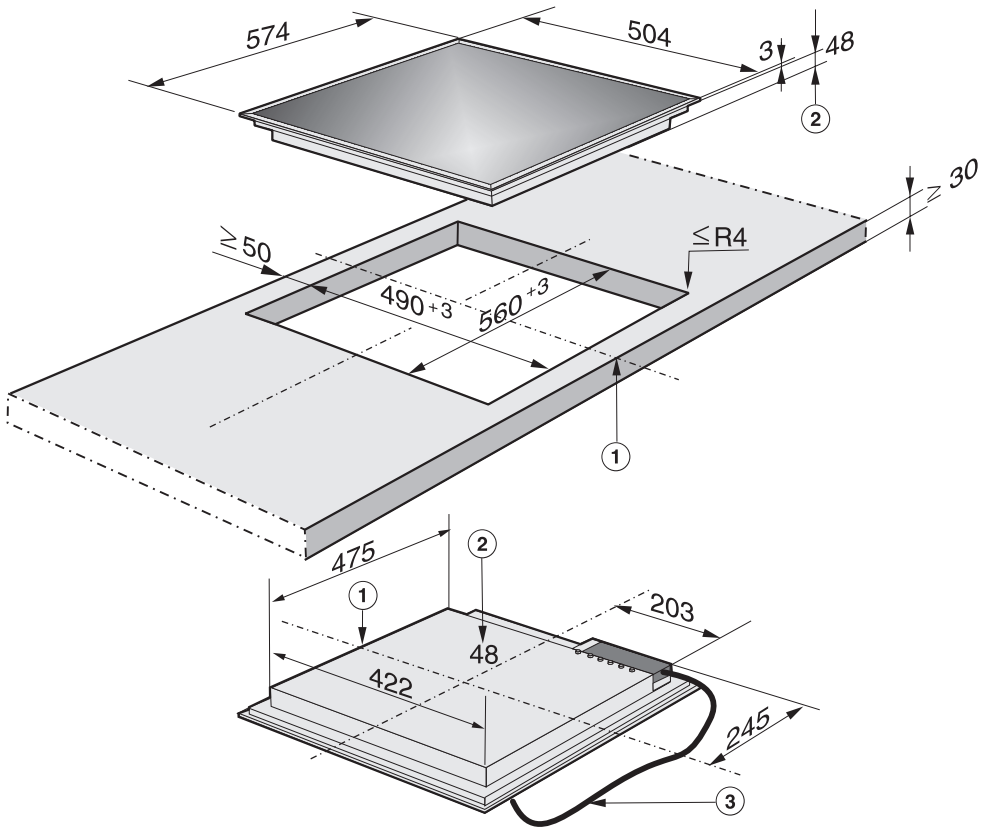
When installed above a Miele oven in a worktop thickness  $\geq 40$  mm the minimum ventilation gap for the fan of 15 mm is present.

If the worktop is  $\leq 40$  mm, a filler panel will have to be fitted above the oven.

If the hob is installed in an island or in a unit with an enclosed back panel, the above measurements apply to a total depth  $\geq 800$  mm. If the total depth is less than 800 mm, then a minimum gap of 100 mm must be provided for ventilating the fan. In this case it is advisable to fit a fixed drawer panel.

# Installation

## Building-in dimensions



- ① Front
- ② Building-in depth
- ③ Mains connection cable, L = 1,440 mm

## Preparing the worktop

- Make the worktop cut-out following the dimensions applicable. Remember to maintain a minimum safety distance of 50 mm from the back wall, as well as from any tall unit or side wall to the right or left of the hob.  
See "Safety instructions for installation".
- Seal the cut surfaces with a suitable heat-resistant sealant to avoid swelling caused by moisture.

If, during installation, you find that the seals on the corners of the frame are not flush with the worktop, the corner radius  $\leq R4$ , can be carefully scribed to suit.

These hobs have a seal underneath them to keep the hob securely in position. Clamps are not required. Any gap between the frame and worktop will reduce with time.

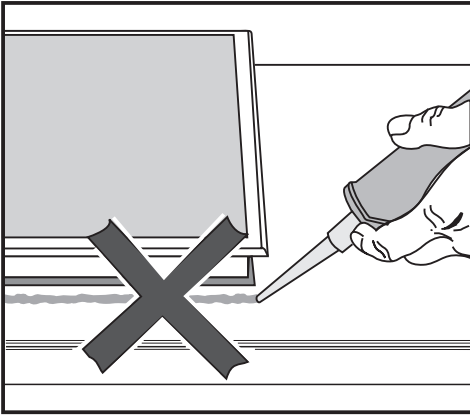
## Installing the hob

- Feed the hob connection cable down through the cut-out.
- Place the hob centrally in the cut-out. When doing this make sure that the seal under the hob sits flush with the worktop on all sides. This is important to ensure an effective seal all round. Do not use sealant.
- Connect the hob to the mains.
- Check that the hob works.

# Installation

---

## Sealant



Do not use any sealant unless expressly instructed to do so. The sealing strip under the edge of the top part of the hob provides a sufficient seal for the worktop.

Do not use sealant between the frame of the top part of the hob and the worktop. This could cause difficulties if the hob ever needs to be taken out for servicing and possibly result in damage to the frame or the worktop.



## Electrical connection

All electrical work should be carried out by a suitably qualified and competent person, in strict accordance with current local and national safety regulations (BS 7671 in the UK).

Installation, repairs and other work by unqualified persons could be dangerous. The manufacturer cannot be held liable for unauthorised work.

Ensure power is not supplied to the appliance until after installation or repair work has been carried out.

The appliance must only be operated when built-in. This is to ensure that all electrical parts are shielded. Live parts must not be exposed.

Do not connect the appliance to the mains electricity supply by an extension lead. These do not guarantee the required safety of the appliance.

Please make sure that the connection data quoted on the data plate match the household mains supply.

Connection should be made via a suitable isolator which complies with national and local safety regulations, and the On/Off switch should be easily accessible after the appliance has been built in.

If the switch is not accessible after installation (depending on country) an additional means of disconnection must be provided for all poles.

For extra safety it is advisable to install a residual current device (RCD), with a trip current of 30 mA.

When switched off there must be an all-pole contact gap of at least 3 mm in the isolator switch (including switch, fuses and relays).

### Important U.K.

The appliance is supplied for connection to a 230-240 V, 50 Hz supply with a 3-core cable.

The wires in the mains lead are coloured in accordance with the following code:

Green/yellow = earth

Blue = neutral

Brown = live

# Installation

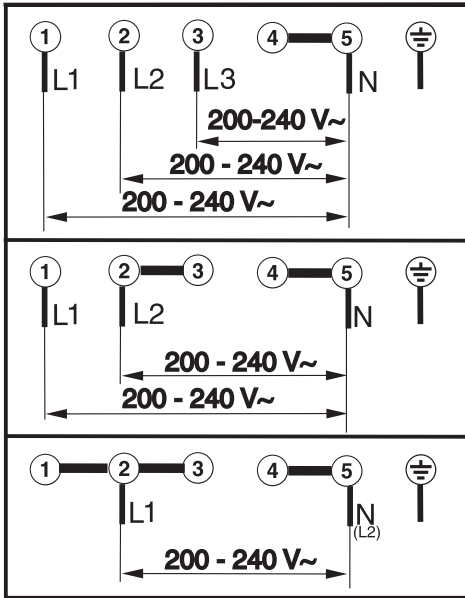
---

## **WARNING** **THIS APPLIANCE MUST BE** **EARTHED**

The electrical safety of this appliance can only be guaranteed when continuity is complete between it and an effective earthing system, which complies with current local and national safety regulations. It is most important that this basic safety requirement is present and regularly tested and where there is any doubt, the electrical wiring in the home should be inspected by a qualified electrician. The manufacturer cannot be held liable for the consequences of an inadequate earthing system such as an electric shock.

The manufacturer cannot be held liable for damage which is the direct or indirect result of incorrect installation or connection.

## Wiring diagram



**N.B.** This appliance is supplied single phase only in the U.K. / AUS / NZ

**United Kingdom:**

Miele Co. Ltd.  
Fairacres, Marcham Road  
Abingdon, Oxon, OX14 1TW  
Tel.: (01235) 554455  
Fax.: (01235) 554477  
Service Office Tel.: (08707) 554466  
E-mail: [info@miele.co.uk](mailto:info@miele.co.uk)  
Internet: [www.miele.co.uk](http://www.miele.co.uk)

**Ireland:**

Miele Ireland Ltd.  
Broomhill Road, Tallaght, Dublin 24  
Tel: (01) 46 10 710, Fax: (01) 46 10 797  
Email: [info@miele.ie](mailto:info@miele.ie)  
Internet: <http://www.miele.ie>

**Australia:**

Miele Australia Pty. Ltd.  
A.C.N. 005635398  
1 Gilbert Park Drive  
Knoxfield, VIC 3180  
Telephone: (03) 9764 7100  
Fax: (03) 9764 7129  
Internet: [www.miele.com.au](http://www.miele.com.au)

**Distributor New Zealand:**

Steelfort Engineering Company. Ltd.  
500 Rangitikei Street  
Palmerston North, Priv. Bag 11045, NZ  
Telephone: (06) 350 1350  
Fax: (06) 356 1507

**South Africa:**

Miele (Pty) Ltd  
63 Peter Place  
Bryanston 2194  
P.O. Box 69434  
Bryanston 2021  
Tel.: (011) 548 1900  
Telefax (011) 548 1935  
E-mail: [info@miele.co.za](mailto:info@miele.co.za)  
Internet: [www.miele.co.za](http://www.miele.co.za)

**Singapore:**

Miele Southeast Asia  
Miele Pte. Ltd.  
163 Penang Road  
# 04 - 02/03 Winsland House II  
Singapore 238463  
Tel : +65-67351191  
Fax: +65-67351161  
Email: [infosea@miele.com.sg](mailto:infosea@miele.com.sg)  
Internet: [www.miele.sg](http://www.miele.sg)

**Hong Kong:**

Miele (Hong Kong) Limited  
AIA Plaza, 24<sup>th</sup> Floor  
18 Hysan Avenue  
Causeway Bay  
Hong Kong  
Tel.: (852) 2610 1331  
Fax: (852) 2610 1013  
E-mail: [mielehk@miele.com.hk](mailto:mielehk@miele.com.hk)