



Installation/Owners Manual

Model ROSIBC

Interior Color Camera



FEATURES:

- High Resolution, 1/3, CCD Color Camera
- Adjustable Angle
- Optical Control Infrared LED
- Infrared LED for Night Vision
- Mirror image selectable

Page 2

Congratulations on the purchase of the ROSIBC. This camera is designed to be mounted inside the vehicle to either view an infant strapped into a car seat that is buckled in facing the back seat or view the passengers. The camera can reverse the image by pushing the button on camera. There are 3 different mounting configurations to choose from.

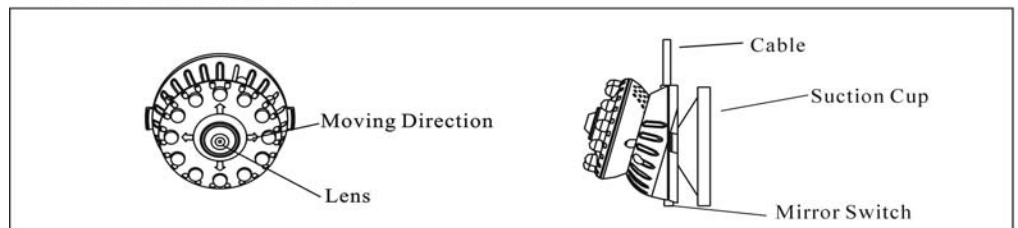


If you want to adjust the camera to viewing area, please adjust the camera up or down, left or right following the moving direction sign marked on the camera shell.

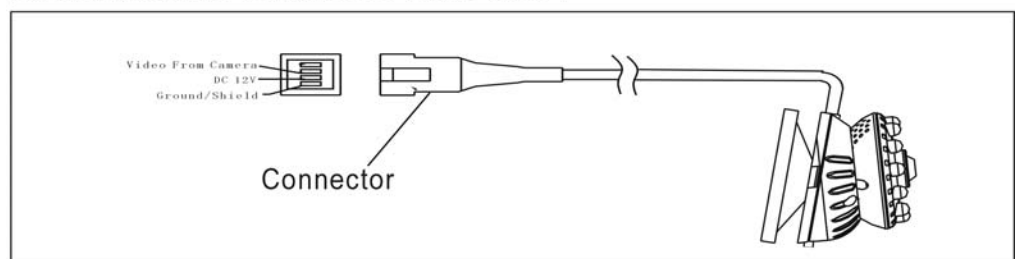
Do not rotate the camera!

Page 3

Color Camera View:

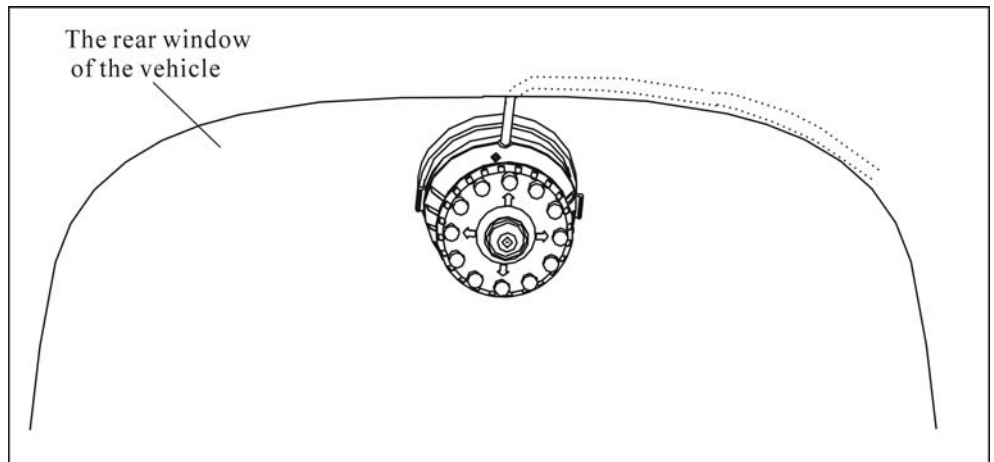


Camera Cable Connector End View :



Installation 1: View of the Suction cup

page 4



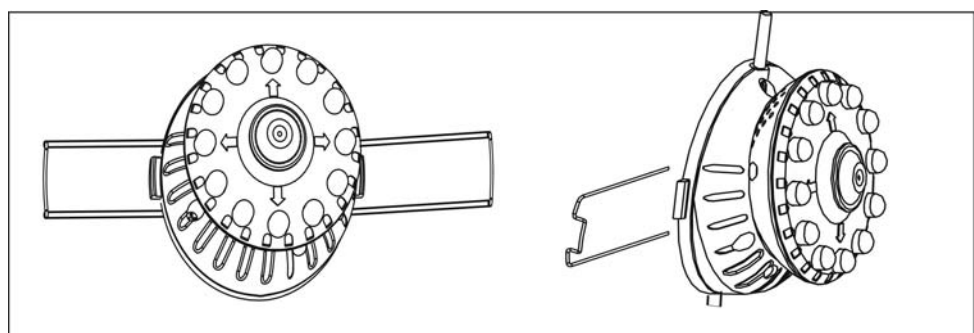
page 5

Installation 1: Suction cup

1. Locate and clean suitable mounting location on glass near baby seat side of vehicle.
2. Attach the camera suction cup to the selected mounting location.
3. Connect the camera cable to the extension cable provided with the rear view mirror.
4. Route the camera cable up to and under the headliner of the vehicle.
5. Route the extension cable up to the rearview mirror control box and plug in the 4-pin connector.

page 6

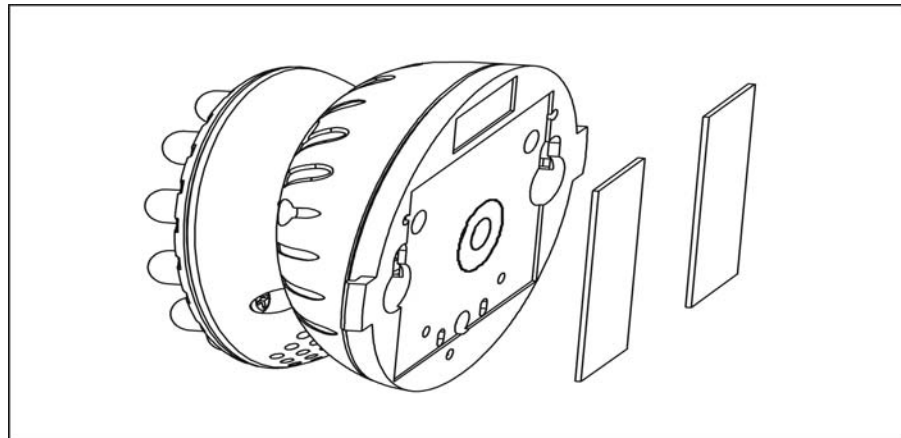
Installation 2: View of Headliner pins



Installation 2: Headliner pins

1. Remove the suction cup by rotating counter clockwise.
2. Locate suitable mounting location on headliner of vehicle.
3. Insert the mounting pin along opposite sides of camera into the headliner.
Push the mounting pins into the headlines until pin hooks are at mounting tab. Place the pin hooks of mounting pin on mounting tabs.
3. Connect the camera cable to the extension cable provided with the rear view mirror.
4. Route the camera cable under the headliner of the vehicle.
5. Route the extension cable up to the rearview mirror control box and plug in the 4-pin connector.

Installation 3: View of the Double side adhesive tape.



Installation 3: Double sided adhesive tape.

1. Remove the suction cup by rotating counters clockwise.
2. Locate suitable flat mounting location in vehicle that double-sided tape will adhere to.
3. Remove one side of the protective paper of both pieces of adhesive tape and adhere tape to back of camera.
4. Remove remaining protective paper and adhere the camera to the selected mounting location.
5. Connect the camera cable to the extension cable provided with the rear view mirror.
6. Route the camera cable up to and under the headliner or side panel of the vehicle.
7. Route the extension cable up to the rearview mirror control box and plug in the 4-pin connector.

Specifications:

1. Signal System: NTSC
2. Voltage: DC 12V
3. Current: 70mA / 140mA (LED on)
4. Image Sensor: 1/3 Super CCD Color Sensor
NTSC: 510X492 picture elements
5. Horizontal Definition: 420 Lines
6. View Angle: 90 degrees
7. Minimum Illumination: 0 Lux
8. Outer Dimension: $\Phi 55 \times 60$
9. Weight: 70 g



For Customer Service
Visit Our Website At
www.audiovox.com
Product Information, Photos,
FAQ's Owner's Manuals

© 2005 Audiovox Electronics Corp., 150 Marcus Blvd., Hauppauge, N.Y. 11788

128-7366