



ADC733 and ADC733X 1/3-INCH COLOR DIGITAL CCD CAMERA

The ADC733 and ADC733X 1/3-inch color CCD cameras offer a compact solution to your video surveillance needs. Solid, sturdy and easy to use, these cameras are engineered for optimal performance.

Equipped with built-in Automatic White Balance Tracking (ATW) and One-Touch White Balance (AWB), they can produce clear, accurate color pictures in a broad range of lighting conditions. The One-Touch feature makes these one of the easiest cameras in the industry to adjust for manual white balance.

Low light sensitivity renders sharp images in scenes as dim as 0.5 lux. Digital Signal Processing (DSP) combines with 330 TV lines of resolution to deliver picture quality typically available only from more expensive models.

The ADC733 and ADC733X cameras feature phase-adjustable line-lock for “roll-free” switching, and a fully isolated power supply that allows you to connect multiple cameras to a single 24 VAC source with minimal interference from ground loops.

These energy efficient cameras are suited for a multitude of applications and save you money in operational costs.



FEATURES

- 1/3-inch interline color CCD
- Digital Signal Processing (DSP)
- 330 TV lines resolution
- 0.5 lux low light sensitivity
- Exceptional Auto White Balance (2,300° K to 10,000° K)
- Supports DC-type auto iris lenses
- C/CS lens mount
- Automatic Electronic Shutter (AES)
- Dual (H&V) edge enhancement
- Automatic Gain Control (AGC)
- Backlight Compensation (BLC)
- Phase adjustable Line-lock
- 24 VAC or 12 VDC input
- Internal isolation transformer
- Low 3.6 watt power consumption

ADC733 AND ADC733X 1/3-INCH COLOR DIGITAL CCD CAMERA

SPECIFICATIONS

Model Numbers

ADC733	Camera, 1/3-inch, Color, 330 TVL, 0.5 Lux, NTSC, 24 VAC/12 VDC
ADC733X	Camera, 1/3-inch, Color, 330 TVL, 0.5 Lux, PAL, 24 VAC/12 VDC

Operational

Imager	Interline transfer 1/3-inch CCD array
Video Output	1.0 Vp-p / 75 Ω , composite
Active Pixel Count	
NTSC	510 (H) x 492 (V) pixels
PAL	500 (H) x 582 (V) pixels
Minimum Scene Illumination	0.5 lux (f1.2 lens)
Horizontal Resolution	330 TV lines
Automatic Electronic Shutter	On/Off selectable (NTSC 1/60 -1/100,000 sec) (PAL 1/50 -1/100,000 sec)
Auto Iris Drive Lens	DC type
Backlight Compensation	On/Off selectable
Aperture Correction	Yes - Horizontal & vertical
Synchronization Modes	Internal or Line-lock with 360° phase adjustment
White Balance	Auto or One-Touch modes (2,300° K to 10,000° K)
Geometric Distortion	None
S/N Ratio	-50 dB

Controls

AGC	On/Off
AES	On/Off
BLC	On/Off
White Balance	Auto (ATW)/One-Touch (AWB) (2,300° K to 10,000° K)
Synchronization	Int./LL with phase adjustment
DC Iris	Level control
Back Focus	Adjustment ring with lock

Connectors

Input Power	Screw terminals
Composite Video	BNC
DC Iris	4 pin square connector

Electrical

AC Voltage	24 VAC (+33% -15%) 60 Hz (NTSC) 50 Hz (PAL)
DC Voltage	12 VDC (+15% -10%)
Power Consumption	3.6 watts

Mechanical

Lens Mount	C or CS type
Camera Mount	1/4 inch x 20 (top or bottom)
Dimensions (H x W x L)	58 x 50 x 126 mm (2.28 x 1.97 x 4.96 in)
Unit Weight	360 g (0.79 lbs)
Shipping Weight	500 g (1.10 lbs)
Color	Light gray

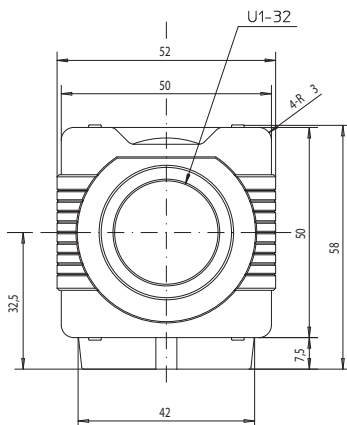
Environmental

Temperature	
Operating	-10° to 50° C (14° to 122° F)
Storage	-20° to 60° C (-4° to 140° F)
Humidity	90% RH (non-condensing)

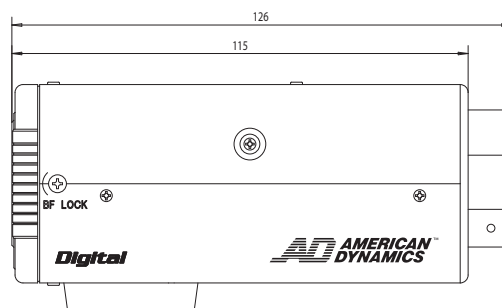
Regulatory

Emissions	FCC: Part 15, Class B ICES-003 EN61000-6-3 EN61000-3-2 EN61000-3-3
Immunity	EN50130-4
Safety	UL2044

Front View



Side View



Rear View

