

VENTED KITCHEN RANGE HOOD FOR 120 V. OPERATION



KITCHEN
RANGE HOOD
MODEL

RH5336XL

INSTALLATION INSTRUCTIONS

READ AND SAVE THESE INSTRUCTIONS

Before you begin, read the following instructions completely and carefully. If followed, they will simplify the installation job.

IMPORTANT: OBSERVE ALL GOVERNING CODES AND ORDINANCES

SAVE THESE INSTRUCTIONS FOR THE LOCAL ELECTRICAL INSPECTOR'S USE

INSTALLING DUCT WORK:

Figure 1 shows typical installation. The unit vents vertically only with 3 1/4 X 10 duct.

Use Figure 2 to cut duct hole and wiring entrance hole in furr down. Note control side for hood on Fig. 2; be sure this is the same side as the cook top controls.

Installation under kitchen furr down:

1. For easy installation hood should be disassembled. See fig. 5. First remove aluminum filter from fan box assembly by pulling tab toward opposite end of filter. Then remove blower assembly by unplugging blower power leads and pushing retaining brackets off retaining bumps. Finally, remove black fan box assembly by removing 6 screws. (See fig. 5). Remove hood mounting brackets from interior shipping position.

2. Depending on mounting surface, use either prepunched holes in the hood flanges at the top or the mounting brackets included with the hood to secure the hood to the furr down. If mounting brackets are used, screw the brackets to the furr down six to nine inches from the hood ends. Use the center hole to mount the bracket initially. Leave the center screw loose enough to rotate on the center screw. Rotate the brackets as shown in Fig. 3, and lift the hood canopy (without black fan box assy.) into position. Rotate brackets until they are supporting the hood canopy. Attach remaining screws.

3. Make electrical connection in wiring junction box according to the latest National Electrical Code and applicable local codes. Hood must be permanently grounded.

4. Lift fan box assembly into position and make necessary ductwork connections. Secure fan box assembly to hood canopy with six screws.

5. Replace blower & filter.

NOTE: It has been found that a large part of the energy loss of the average home is due to outside air infiltrating the structure. Seal around ductwork where it passes through outside walls or ceiling. Seal around electrical wiring also.

TOOLS AND MATERIALS REQUIRED



- Drill, electric or ratchet drive, with 1-1/4" wood bit (to drill an access hole in the cabinet or kitchen wall for the electric power line.)



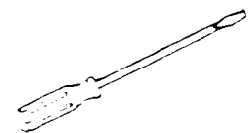
- One common head screwdriver (to secure hood mounting screws to the cabinet and hood sheet metal parts).

- Pliers (for opening knockouts)

- Pencil, ruler and level for marking cabinet locations.

- Saber saw or keyhole saw for cutting the wall or cabinet openings.

- Caulking, metal snips, duct tape, ducts (with elbow and transition, if necessary) and wall cap or roof cap, as required.



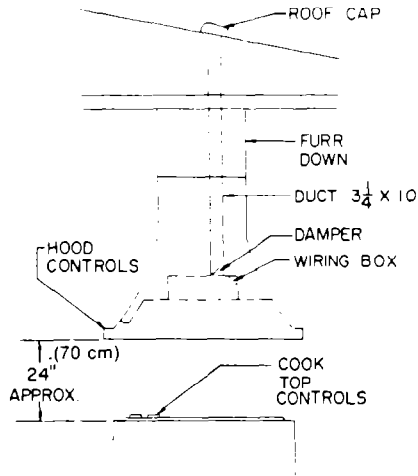


FIG. 1

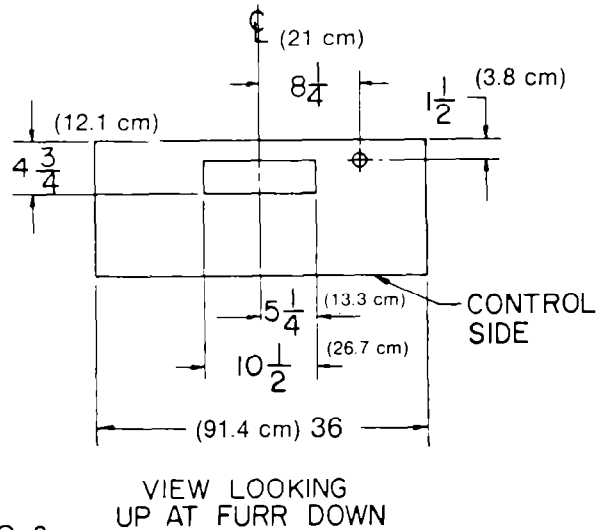


FIG. 2

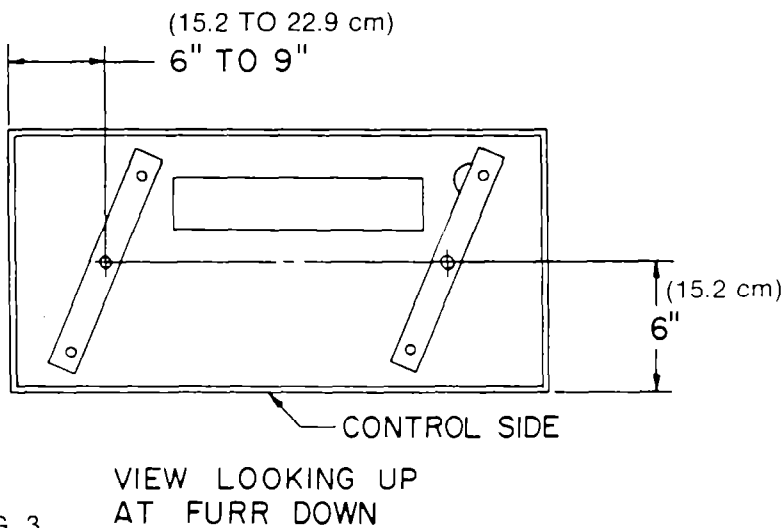


FIG. 3

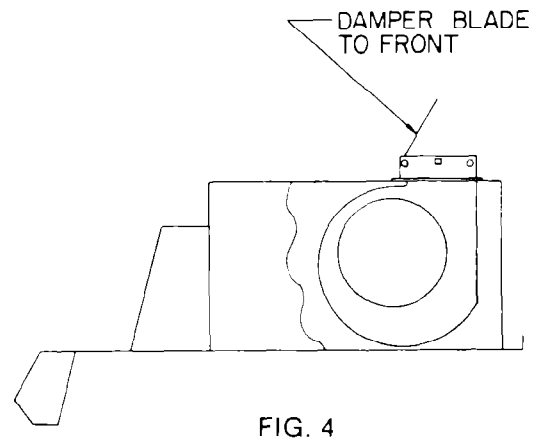


FIG. 4

OPERATION AND CARE OF UNIT

CARE OF FILTER

For greatest efficiency, the permanent aluminum filter should be removed and cleaned periodically. The filter can be washed in a dishwasher.

BLOWER CONTROL

This range hood has a solid state motor speed control. This allows an infinite control of blower air moving capacity from 370 CFM down. After setting the control to a desired speed, it will take approx. 15 seconds for the blower to respond to that setting.

CARE OF EXTERIOR SURFACES

Your range hood is a beautifully finished addition to your kitchen. To preserve its lasting beauty, clean with a mild detergent. **DO NOT** use abrasive cleaners.

USE NO LAMP LARGER THAN 75 WATT: Hood is designed for 75 watt flood lamp for greater illumination and bulb life.

For most effective removal of smoke and odors, turn on fan at beginning of cooking operation and allow to run until smoke and odors are removed from room.

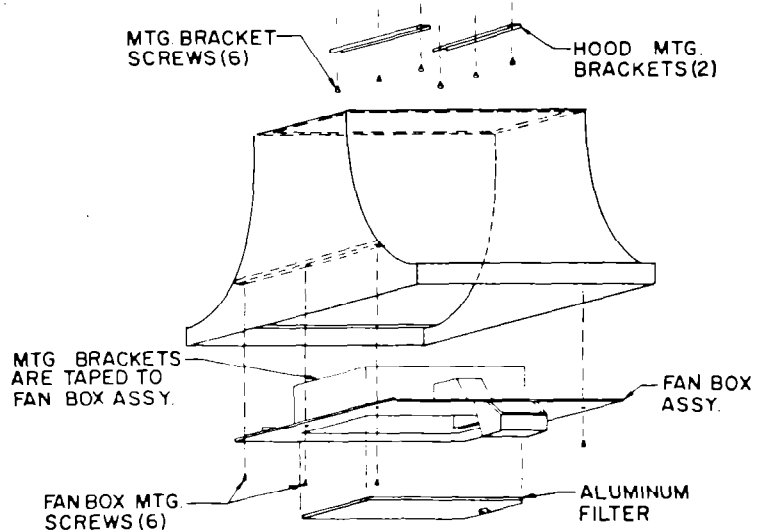
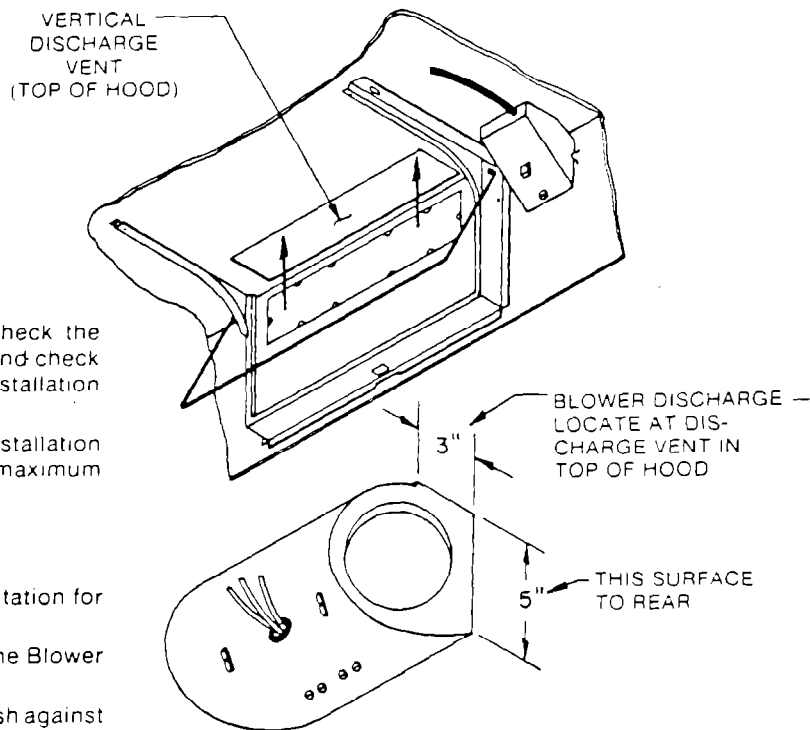


FIG. 5

RANGE HOOD BLOWER ORIENTATION



NOTE: Before reinstalling the Blower Assembly, check the damper for free operation. Open the damper blade and check for any restrictions in the duct system. Check installation instructions for proper duct sizing.

Correct Blower orientation is imperative. Incorrect installation will drastically cut air flow and cause Blower to run at maximum RPM regardless of motor speed control setting.

VERTICAL DISCHARGE:

1. Figure 6 shows the proper Blower Assembly orientation for vertical discharge.
2. From the Blower position shown in Figure 6, lift the Blower Assembly vertically into mounting position.
3. The 3" Blower discharge surface should now be flush against top of hood. This will allow proper air flow from the Blower through the top vent. (The wider 5" surface will be to the rear.)

FIG. 6
VERTICAL DISCHARGE

If you need service or assistance, we suggest you follow these four steps:

1. Before calling for assistance...

Performance problems often result from little things you can find and fix yourself without tools of any kind.

If nothing operates;

- Have you checked the main fuse or circuit breaker box?

2. If you need assistance...

Call the Whirlpool COOL -LINE® service assistance telephone number. Dial free from:

Continental U.S. (800) 253-1301
Michigan (800) 632-2243
Alaska & Hawaii (800) 253-1121

and talk with one of our trained Consultants. The Consultant can instruct you in how to obtain satisfactory operation from your appliance or, if service is necessary, recommend a qualified service company in your area.



3. If you need service...



Whirlpool has a nationwide network of franchised TECH-CARE® Service Companies. TECH-CARE service technicians are trained to fulfill the product warranty and provide after-

warranty service anywhere in the United States. To locate TECH-CARE service in your area, call our COOL-LINE service assistance telephone number (see Step 2) or look in your telephone directory Yellow Pages under:

APPLIANCES—HOUSEHOLD
MAJOR—SERVICE & REPAIR

ELECTRICAL APPLIANCES—
MAJOR—REPAIRING & PARTS

WHIRLPOOL APPLIANCES
FRANCHISED TECH-CARE SERVICE

OR

WHIRLPOOL APPLIANCES
FRANCHISED TECH-CARE SERVICE

SERVICE COMPANIES

SERVICE COMPANIES

XYZ SERVICE CO

XYZ SERVICE CO

123 Maple 999-9999

OR

123 Maple 999-9999

WASHING MACHINES, DRYERS
& IRONERS—SERVICING

WHIRLPOOL APPLIANCES
FRANCHISED TECH-CARE SERVICE

SERVICE COMPANIES

XYZ SERVICE CO

123 Maple

999-9999

4. If you have a problem...

Call our COOL-LINE service assistance telephone number (see Step 2) and talk with one of our Consultants, or if you prefer, write to:

Mr. Guy Turner, Vice President
Whirlpool Corporation
Administrative Center
2000 US-33 North
Benton Harbor, MI 49022

If you must call or write, please provide model number, serial number, date of purchase, and a complete description of the problem. This information is needed in order to better respond to your request for assistance.