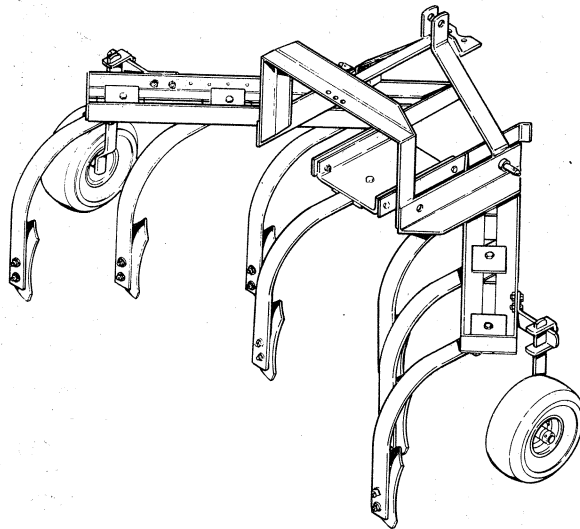
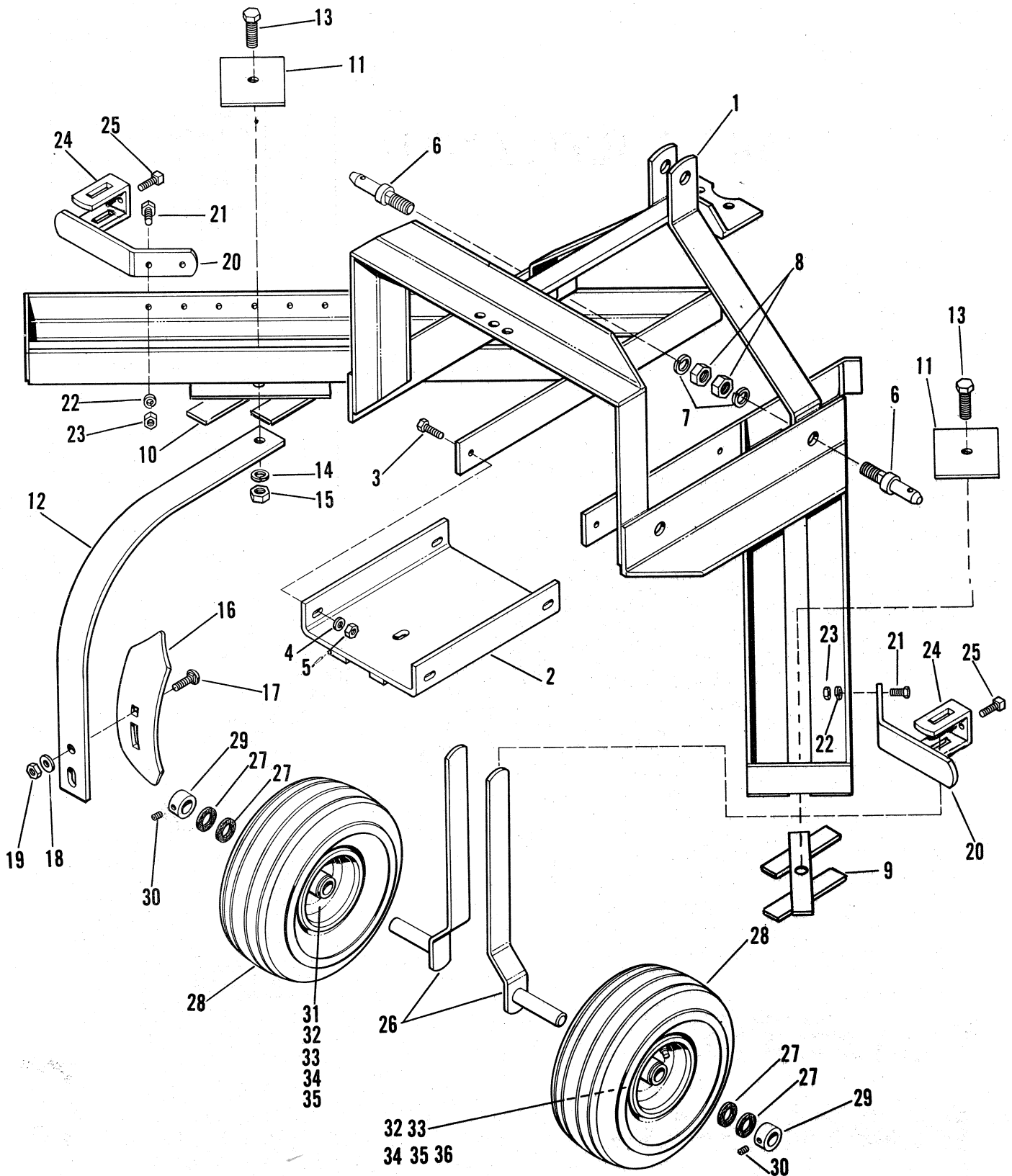


54" CULTIVATOR

MFG. NO. 1600223 54" CULTIVATOR



PARTS MANUAL



CULTIVATOR

Ref. No.	Part No.	Qty.	Description
1	173908	1	CULTIVATOR FRAME
2	174666	1	SUPPORT PLATE ASSY.
3	930579	4	CAPSCREW, Hex, 3/8"-16 x 1-1/4"
4	916965	4	LOCKWASHER, 3/8"
5	916950	4	NUT, Full Hex, 3/8"-16
6	172500	2	PINS, Hitch
7	917373	2	LOCKWASHER, 5/8"
8	915726	2	NUT, Full Hex, 5/8"-11
9	173896	3	R.H. SHANK HOLDER ASSEMBLY
10	173897	3	L.H. SHANK HOLDER ASSEMBLY
11	173895	6	PLATE
12	174681	7	SHANK
13	923154	7	CAPSCREW, Hex, 1/2"-13 x 1-1/2"
14	916966	7	LOCKWASHER, 1/2"
15	916951	7	NUT, Full Hex, 1/2"-13
16	174663	7	TEETH, Cultivator
17	922114	14	PLOW BOLT, 7/16"-14 x 1-1/4"

Ref. No.	Part No.	Qty.	Description
18	918430	14	WASHER, Plain, 7/16"
19	920263	14	NUT, Full Hex, 7/16"-14
20	174660	2	SHANK
21	930579	4	CAPSCREW, Hex, 3/8"-16 x 1-1/4"
22	916965	4	LOCKWASHER, 3/8"
23	916950	4	NUT, Full Hex, 3/8"-16
24	8271023	2	CLAMP, Shank
25	930535	4	SCREWS, Set, 3/8" -16 x 1"
26	174657	2	STANDARD & SPINDLE ASSY.
27	174703	4	SEAL, Felt
28	163106	2	WHEEL & TIRE ASSY.
29	8021010	2	COLLAR, Set
30	928691	2	SCREW, Set 5/16"-18 x 5/16"
31	163107*	2	WHEEL
32	163108*	2	TIRE
33	163109*	2	TUBE
34	163110*	2	BEARING
35	163111*	2	BEARING RELIEF

* Part of 163106 Wheel & Tire Assembly

