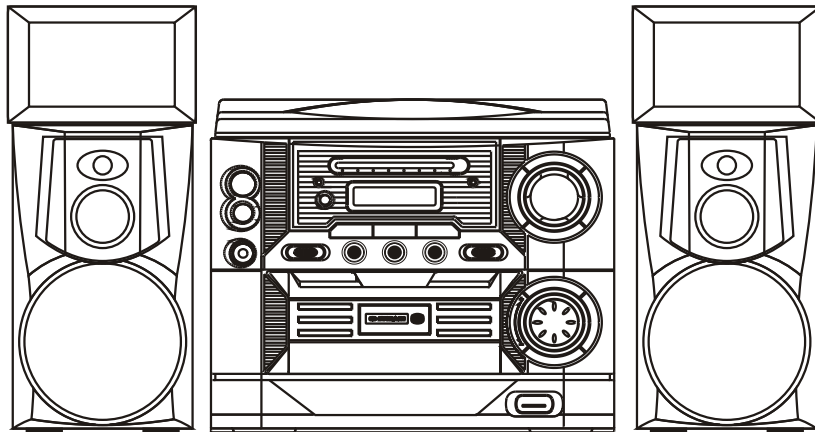




RCD856





**INSTRUCTION
MANUAL**

WARNING

WARNING

To prevent fire or shock hazard, do not use this plug with an extension cord, receptacle other outlet unless the blades can be fully inserted to prevent blade exposure. To prevent fire or shock hazard, do not expose this appliance to rain or moisture.

 <p>The lightning flash with arrowhead Symbol, within an equilateral Triangle, is intended to alert the user to the presence of uninsulated dangerous voltage within the product's enclosure that may be of sufficient magnitude to constitute a risk of electric shock to persons.</p>	 <p>WARNING RISK OF ELECTRIC SHOCK DO NOT OPEN</p> <p>WARNING: TO REDUCE THE RISK OF ELECTRIC SHOCK, DO NOT REMOVE COVER (OR BACK) NO USER-SERVICEABLE PARTS INSIDE REFER SERVICING TO QUALIFIED SERVICE PERSONNEL.</p>	<p>The exclamation point within an equilateral triangle is intended to alert the user to the presence of important operating and maintenance(servicing)instructions in the literature accompanying the Appliance.</p>
--	---	---

- 1 Read these instructions.
- 2 Keep these instructions.
- 3 Heed all warnings.
- 4 Follow all instructions.
- 5 Do not use this apparatus near water.
- 6 Clean only with dry cloth.
- 7 Do not block any ventilation openings. Install in accordance with the manufacturer's instructions.
- 8 Do not install near any heat sources such as radiators, heat registers, stoves or other apparatus (including amplifiers) that produce heat.
- 9 Do not defeat the safety purpose of the polarized or grounding-type plug. A polarized plug has two blades with one wider than the other. A grounding type plug has two blades and a third grounding prong. The wide blade or the third prong are provided for your safety. If the provided plug does not fit into your outlet, consult an electrician for replacement of the obsolete outlet.
- 10 Protect the power cord from being walked on or pinched particularly at plugs, convenience receptacles, and the point where they exit from the apparatus.
- 11 Only use attachments/accessories specified by the manufacturer.
- 12 Unplug this apparatus during lightning storms or when unused for long periods of time.
- 13 Refer all servicing to qualified service personnel. Servicing is required when the apparatus has been damaged in any way, such as power-supply cord or plug is damaged, unit has been exposed to rain or moisture, does not operate normally, or damaged, or has been dropped.
- 14 This appliance shall not be exposed to dripping or splashing water and that no object filled with liquids such as vases shall be placed on the apparatus.

TABLE OF CONTENTS

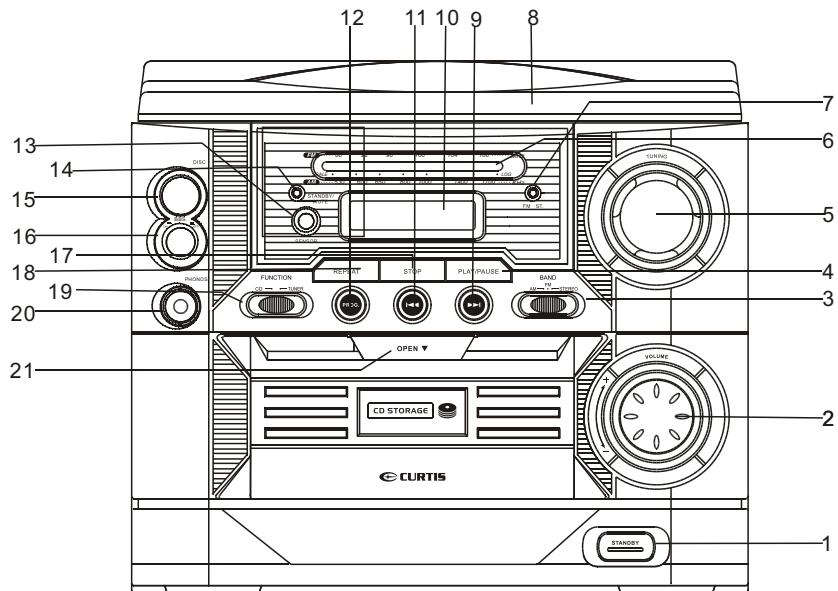
This instruction manual is important to you. Please read it. In a short time it shows exactly how to connect, operate and adjust this unit for best performance.

It can save you money. It shows simple things to do and check before you call for help and save the cost of unnecessary service and call out charge.

WARNINGS.....	1
TABLE OF CONTENTS.....	2
LOCATION OF CONTROLS.....	3
REMOTE CONTROL.....	4
OPERATING INSTRUCTION.....	5
TUNER OPERATION.....	5
CD OPERATION.....	6
CARING FOR COMPACT DISCS.....	10

Please retain all packing materials for future transportation of the unit or in the unlikely event that the unit needs to be returned for service.

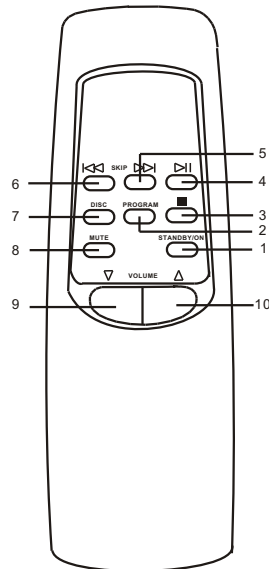
LOCATION OF CONTROLS



- | | |
|------------------------------------|-----------------------------|
| 1 Standby/On Button | 14 Standby/Mute Indicator |
| 2 Electronic Rotary Volume Control | 15 Disc Skip Button |
| 3 Band Switch | 16 Bass Boost Button |
| 4 Play / Pause Button | 17 Stop Button |
| 5 Tuning Control | 18 Repeat Button |
| 6 Tuning Scale And Pointer | 19 Function Selector Switch |
| 7 FM Stereo indicator | 20 Phones (Headphones) Jack |
| 8 CD Carousel Tray | 21 CD Storage |
| 9 Skip/Search Forward Button | |
| 10 LCD Display | |
| 11 Skip/Search Back Button | |
| 12 Program Memory Button | |
| 13 Remote Sensor | |

REMOTE CONTROL

- 1 STANDBY/ON Button
- 2 PROGRAM Button
- 3 STOP Button
- 4 PLAY/PAUSE Button
- 5 SKIP FORWARD Button
- 6 SKIP BACKWARD Button
- 7 DISC Button
- 8 MUTE Button
- 9 VOLUME - Button
- 10 VOLUME + Button



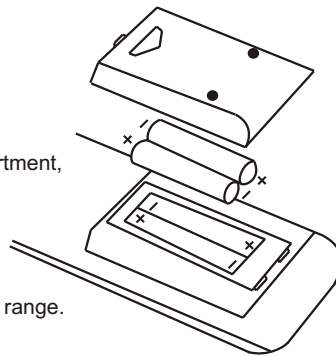
Inserting batteries in the remote control

The battery compartment cover is on the back of the remote control. Press the tab in the direction of the arrow and lift off the cover. Take the 2 × 1.5v AAA size batteries(not included) and place them in the compartment, taking care to ensure correct polarity. As shown in the battery compartment. Carefully close the battery Compartment. Change the batteries if the remote control stops working Or only works intermittently or only at close range.

Notes:

Remove exhausted batteries from the remote control without delay, as they may leak and cause damage. Always replace both batteries at the same time. Do not use batteries of different types, brands or capacities.

The batteries must not be reloaded or reactivated by any other means or taken apart, thrown into fire or shortcircuited.



OPERATING INSTRUCTION

PHONES (HEADPHONE) JACK

A headphone jack is provided for private listening. To listen to the unit with headphones (not included), set the volume to minimum and insert the 3.5mm mini stereo plug from the headphones into the PHONES jack. The speakers will be disconnected when a plug is inserted in the jack. Adjust the VOLUME control and BASS BOOST button as desired.

MUTE

Press the MUTE button on the remote control to temporarily cut off the sound; the STANDBY/MUTE indicator will blink. Press this button again to restore the sound.

ELECTRONIC ROTARY VOLUME CONTROL

Gently turn clockwise to increase the volume and counterclockwise to decrease the volume.

TO TURN THE UNIT ON AND OFF

Press the POWER button on the main unit or remote control to turn the unit on; the STANDBY/MUTE indicator will go off. Press the POWER button again to turn the unit off; the STANDBY/MUTE indicator will light.

NOTICE: AC POWER 230V~50Hz

FUNCTION SELECTOR SWITCH

Slide the FUNCTION selector switch to select TUNER or CD.

TUNER OPERATION

ANTENNAS

AM- this unit has a built-in ferrite bar antenna, which eliminates the need for an external antenna, and provides adequate reception in most areas. If reception is weak, turn the unit to improve reception.

FM- the FM line antenna on the rear of the unit is for FM reception only. Unwind this antenna completely and orient the wire until you find the position that provides the best reception.

Slide the BAND switch to select, AM, FM, or FM STEREO broadcasts.

TO LISTEN TO THE RADIO

TO LISTEN TO THE RADIO

Press the POWER button to turn the unit on.

Slide the FUNCTION selector switch to the TUNER position.

Slide the BAND switch to the AM, FM or FM STEREO position.

AM- Select this to listen to AM broadcasts.

FM- Select this to listen to FM broadcasts in mono. Noise present in stereo broadcasts can be reduced by listening in mono.

FM STEREO- Select this to listen to FM STEREO broadcasts. The FM STEREO indicator will light when the radio is tuned to a stereo FM station.

Tune a desired station by rotating the TUNING control.

Adjust the VOLUME control and BASS BOOST button as desired.

CD OPERATION

CD OPERATION

The CD changer in this system can play up to 3 CDs in succession to provide you with over three hours of uninterrupted music. When the first CD ends the second CD begins automatically. When all 3 CDs have finished the changer stops.

In addition to normal playback of up to 3 CDs you may program up to a total of 32 tracks on the 3 discs to playback in any specific order you choose. You may also use the REPEAT function to repeat a single track, repeat all tracks on a single disc, or repeat all tracks on all the discs in the changer.

The LCD display provides all the information about the operation of the CD changer. Please refer to the following diagram.

- A) ALL DISC-----This indicates that the changer is in the normal operation mode and that it will play all tracks on all the discs in the tray in numerical order.
- B) PROGRAM----- This indicates that the changer is in the programmed playback mode and will play selected tracks on selected discs in the order in which they were programmed.
- C) REPEAT INDICATORS--Show which of the 3 repeat modes has been selected. Refer to the instructions for repeat playback.
- D) DISC INDICATORS-----These indicators show the number of discs which are loaded in the changer. The indicator blinks to show which disc is playing or in the play position. If the changer checks all 3 disc pockets and finds no discs the display will indicate NO DISC.
- E) TRACK NUMBER-----Shows the total number of tracks on the disc when the disc is stopped and shows the track number being played during playback.
- F) TIME DISPLAY----- Shows the total playing time of the disc when the disc is stoped and shows the elapsed time in minutes and seconds of the track which is

being played.

G)PLAY INDICATOR----- Comes on when a disc is playing.

H)PAUSE INDICATOR----- Comes on, together with the play indicator, when the disc is in the pause mode. Goes off when the pause mode is canceled.

NORMAL CD PLAYBACK

- 1 Press POWER button to turn the system on.
- 2 Set the FUNCTION selector to the CD position. The CD display lights and the changer begins to search all three disc pockets for CDs. If no discs are found the display indicates NO DISC.
- 3 The CD pockets are numbered (1,2,3). these numbers correspond to the disc indicators in the CD display. The disc indicators do not change position. They always remain. however the disc symbol will flash to show which disc is in the play position.
Place up to 3 CDs in the pockets of the tray. Place the disc you want to play first in pocket #1.place the disc you want to play second in pocket #2.and so on. To load three CDs in the tray it will be necessary to rotate the tray to expose the third pocket. After you load the first two discs press the DISC SKIP button to rotate the tray and then loaded with the printed sides facing up. If the disc is not properly centered in the pocket it may move when you close the drawer. This could jam the mechanism or possibly damage the disc, so be sure to load the discs properly.
- 4 After you have loaded up to 3 CDs press the PLAY/PAUSE button. The display will show the Total number of tracks and total playing time of disc is in the play position.

NOTE:

In the normal playback mode the changer always stops after it has played the disc in pocket #3.So if you want to play all three discs in succession, you must start playback with DISC 1. If you only load one disc in the changer, it may be placed in any of the three pockets. The changer will search all three pockets until it locates the disc and then playback will begin.

When the last track of the last disc has been played the changer stops and the display will show the total tracks and playing time of the first disc again.

SKIP TRACK FORWARD OR BACK BUTTONS

During CD playback you may skip tracks forward or back by pressing the forward or back track skip buttons. Press the forward button once to skip to the beginning of the next track. Press twice to skip two tracks etc.

Press the skip back button once to skip back to the beginning of the track being played. Press twice to skip back to the beginning of the previous track etc.

You may also use the skip controls to start playback from a specific track on a disc. Press the STOP button to stop the disc if necessary. Then press the forward button until the display shows the desired track. Press PLAY/PAUSE to start playback.

HIGH SPEED MUSIC SEARCH

During CD playback you may search forward or back within the tracks of the disc to locate a specific musical passage if desired. To perform high speed music search press and hold either the SKIP FORWARD or SKIP BACK buttons. Release the buttons when you locate the desired passage and normal playback will resume at high speed music search.

REPEAT PLAY MODES

There are 3 repeat options for your convenience. Pressing the REPEAT button will cycle the changer through the three modes as follows:

- 1st Press Repeat All Tracks On All Discs In The Tray
- 2nd Press Repeat All Tracks On One Disc
- 3rd Press Repeat One Track
- 4th Press Repeat Mode Off Normal Playback Resumes

PROGRAMMED PLAYBACK

The CD changer has a 32 track programmable memory that allows you to program up to a total of 32 tracks on 3 discs for playback in any order you choose. You may also program a specific track to be played more than once in a program sequence.

TO PERFORM PROGRAMMED PLAYBACK PROCEED AS FOLLOWS:

- 1 Open the CD door and insert up to 3 discs in the tray, then close the door.
- 2 At stop mode Press the PROGRAM button once. The display will show the **01 d1: -- --**. This indicates that the memory is ready to accept the first disc and track to be programmed.
- 3 Select the first disc you wish to program by pressing DISC SKIP. For example, DISC2. The disc number will appear on the display as **01 d2: -- --**.
- 4 Select the first track you wish to program by pressing SKIP FORWARD button until the desired track appears in the display, EDIT indicator will appear and flash. For example, TRACK7. The display will show **01 d2: 07**.
- 5 When the display correctly shows the first disc and track number you wish to program, press the PROGRAM button again to enter the track number in the memory. Display will now appear as **02 d2: -- --**. This indicates that the memory is ready to accept the second track to be programmed. The EDIT indicator stop flashing.
- 6 Repeat steps 3,4 and 5 until you have entered up to 32 tracks into the memory.
- 7 When you finish programming press the PLAY/PAUSE button to begin programmed playback. The PROGRAM indicator appears in the display and the changer will play back the tracks and discs in the order in which you entered them into the in program memory.

NOTES:

- A If you press the skip buttons during programmed playback the player skips forward or back to the next programmed track, not to the next track on the disc being played.
- B After the last programmed track has been played the player stops but the program remains in memory. If you press the PLAY/PAUSE button again the program will be repeated.
- C To cancel programmed playback press the STOP button twice ,opening the CD drawer, or switching the Power button off.

TO CONFIRM THE PROGRAMMED INFO

After you have entered the last track of your program into the memory you may confirm the program steps if desired. Press the PROGRAM button once more and the display will change to the confirmation mode as follows:

01 d2 : 07

This indicates that the first programmed step was DISC2, TRACK7. Continue pressing the PROGRAM button and the display will show each programmed step in the order that they were entered into the memory. After you have confirmed that you programmed the memory correctly, press the PLAY/PAUSE button to begin programmed playback.

CARING FOR COMPACT DISCS

Treat the disc carefully. Handle the disc only by its edges. Never allow your fingers to come in contact with the shiny, unprinted side of the disc.

Do not attach adhesive tape, stickers, etc. to the disc label.

Clean the disc periodically with a soft, lint-free, dry cloth. Never use detergents or abrasive cleaners to clean the disc. If necessary, use a CD cleaning kit.

If a disc skips or gets stuck on a section of the disc, it is probably dirty or damaged (scratched).

When cleaning the disc, wipe in straight lines from the center of the disc to the outer edge of the disc. Never wipe in circular motions.

Store your discs in their protective cases when not in use.

