



# PA-2H Dual-Port HSSI Port Adapter Installation and Configuration

---

Product Numbers: PA-2H and PA-2H=

Platforms Supported: Cisco 7200 Series (including a Cisco 7206 as a router shelf in a Cisco AS5800 Universal Access Server), Cisco 7000 Series and Cisco 7500 Series with VIP2, Cisco uBR7200 Series, and the Catalyst RSM/VIP2 on the Catalyst 5000 Family Switches

**Corporate Headquarters**

Cisco Systems, Inc.  
170 West Tasman Drive  
San Jose, CA 95134-1706  
USA  
<http://www.cisco.com>  
Tel: 408 526-4000  
800 553-NETS (6387)  
Fax: 408 526-4100

THE SPECIFICATIONS AND INFORMATION REGARDING THE PRODUCTS IN THIS MANUAL ARE SUBJECT TO CHANGE WITHOUT NOTICE. ALL STATEMENTS, INFORMATION, AND RECOMMENDATIONS IN THIS MANUAL ARE BELIEVED TO BE ACCURATE BUT ARE PRESENTED WITHOUT WARRANTY OF ANY KIND, EXPRESS OR IMPLIED. USERS MUST TAKE FULL RESPONSIBILITY FOR THEIR APPLICATION OF ANY PRODUCTS.

THE SOFTWARE LICENSE AND LIMITED WARRANTY FOR THE ACCOMPANYING PRODUCT ARE SET FORTH IN THE INFORMATION PACKET THAT SHIPPED WITH THE PRODUCT AND ARE INCORPORATED HEREIN BY THIS REFERENCE. IF YOU ARE UNABLE TO LOCATE THE SOFTWARE LICENSE OR LIMITED WARRANTY, CONTACT YOUR CISCO REPRESENTATIVE FOR A COPY.

The following information is for FCC compliance of Class A devices: This equipment has been tested and found to comply with the limits for a Class A digital device, pursuant to part 15 of the FCC rules. These limits are designed to provide reasonable protection against harmful interference when the equipment is operated in a commercial environment. This equipment generates, uses, and can radiate radio-frequency energy and, if not installed and used in accordance with the instruction manual, may cause harmful interference to radio communications. Operation of this equipment in a residential area is likely to cause harmful interference, in which case users will be required to correct the interference at their own expense.

The following information is for FCC compliance of Class B devices: The equipment described in this manual generates and may radiate radio-frequency energy. If it is not installed in accordance with Cisco's installation instructions, it may cause interference with radio and television reception. This equipment has been tested and found to comply with the limits for a Class B digital device in accordance with the specifications in part 15 of the FCC rules. These specifications are designed to provide reasonable protection against such interference in a residential installation. However, there is no guarantee that interference will not occur in a particular installation.

Modifying the equipment without Cisco's written authorization may result in the equipment no longer complying with FCC requirements for Class A or Class B digital devices. In that event, your right to use the equipment may be limited by FCC regulations, and you may be required to correct any interference to radio or television communications at your own expense.

You can determine whether your equipment is causing interference by turning it off. If the interference stops, it was probably caused by the Cisco equipment or one of its peripheral devices. If the equipment causes interference to radio or television reception, try to correct the interference by using one or more of the following measures:

- Turn the television or radio antenna until the interference stops.
- Move the equipment to one side or the other of the television or radio.
- Move the equipment farther away from the television or radio.
- Plug the equipment into an outlet that is on a different circuit from the television or radio. (That is, make certain the equipment and the television or radio are on circuits controlled by different circuit breakers or fuses.)

Modifications to this product not authorized by Cisco Systems, Inc. could void the FCC approval and negate your authority to operate the product.

The Cisco implementation of TCP header compression is an adaptation of a program developed by the University of California, Berkeley (UCB) as part of UCB's public domain version of the UNIX operating system. All rights reserved. Copyright © 1981, Regents of the University of California.

NOTWITHSTANDING ANY OTHER WARRANTY HEREIN, ALL DOCUMENT FILES AND SOFTWARE OF THESE SUPPLIERS ARE PROVIDED "AS IS" WITH ALL FAULTS. CISCO AND THE ABOVE-NAMED SUPPLIERS DISCLAIM ALL WARRANTIES, EXPRESSED OR IMPLIED, INCLUDING, WITHOUT LIMITATION, THOSE OF MERCHANTABILITY, FITNESS FOR A PARTICULAR PURPOSE AND NONINFRINGEMENT OR ARISING FROM A COURSE OF DEALING, USAGE, OR TRADE PRACTICE.

IN NO EVENT SHALL CISCO OR ITS SUPPLIERS BE LIABLE FOR ANY INDIRECT, SPECIAL, CONSEQUENTIAL, OR INCIDENTAL DAMAGES, INCLUDING, WITHOUT LIMITATION, LOST PROFITS OR LOSS OR DAMAGE TO DATA ARISING OUT OF THE USE OR INABILITY TO USE THIS MANUAL, EVEN IF CISCO OR ITS SUPPLIERS HAVE BEEN ADVISED OF THE POSSIBILITY OF SUCH DAMAGES.

Access Registrar, AccessPath, Any to Any, AtmDirector, CCDA, CCDE, CCDP, CCIE, CCNA, CCNP, CCSI, CD-PAC, the Cisco logo, Cisco Certified Internetwork Expert logo, *CiscoLink*, the Cisco Management Connection logo, the Cisco NetWorks logo, the Cisco Powered Network logo, Cisco Systems Capital, the Cisco Systems Capital logo, Cisco Systems Networking Academy, the Cisco Technologies logo, ConnectWay, ControlStream, Fast Step, FireRunner, GigaStack, IGX, JumpStart, Kernel Proxy, MGX, Natural Network Viewer, NetSonar, Network Registrar, New World, *Packet*, PIX, Point and Click Internetworking, Policy Builder, Precept, RouteStream, Secure Script, ServiceWay, SlideCast, SMARTnet, StreamView, *The Cell*, TrafficDirector, TransPath, ViewRunner, VirtualStream, VisionWay, VlanDirector, Workgroup Director, and Workgroup Stack are trademarks; Changing the Way We Work, Live, Play, and Learn, Empowering the Internet Generation, The Internet Economy, and The New Internet Economy are service marks; and Asist, BPX, Catalyst, Cisco, Cisco IOS, the Cisco IOS logo, Cisco Systems, the Cisco Systems logo, the Cisco Systems Cisco Press logo, Enterprise/Solver, EtherChannel, EtherSwitch, FastHub, FastLink, FastPAD, FastSwitch, IOS, IP/TV, IPX, LightStream, LightSwitch, MICA, NetRanger, Registrar, StrataView Plus, Stratm, TeleRouter, and VCO are registered trademarks of Cisco Systems, Inc. in the U.S. and certain other countries. All other trademarks mentioned in this document are the property of their respective owners. The use of the word partner does not imply a partnership relationship between Cisco and any of its resellers. (9906R)

*PA-2H Dual-Port HSSI Port Adapter Installation and Configuration*

Copyright © 1996–1999, Cisco Systems, Inc.

All rights reserved.

# About This Manual

---

This chapter explains the objectives and organization of the *PA-2H Dual-Port HSSI Port Adapter Installation and Configuration* document and defines the conventions used to convey instructions and information.

## Document Objectives

This document describes the installation and configuration of the dual-port High-Speed Serial Interface (HSSI) port adapter (PA-H Rev. B), which can be used in the following platforms:

- Cisco 7200 series routers—Consisting of the 2-slot Cisco 7202, 4-slot Cisco 7204 and Cisco 7204VXR, and the 6-slot Cisco 7206 and Cisco 7206VXR, and including a Cisco 7206 as a router shelf in a Cisco AS5800 Universal Access Server
- Cisco uBR7200 series universal broadband routers—Consisting of the 6-slot Cisco uBR7246 (4 cable modem card slots and 2 port adapter slots) and the 3-slot Cisco uBR7223 (2 cable modem card slots and 1 port adapter slot)
- Second-generation Versatile Interface Processor (VIP2)—In all Cisco 7500 series routers and in Cisco 7000 series routers using the Cisco 7000 Series Route Switch Processor (RSP7000) and Cisco 7000 Series Chassis Interface (RSP7000CI) installed
- Catalyst Route Switch Module (RSM)/VIP2—In all Catalyst 5000 family switches

---

**Note** The Cisco 7206 and Cisco 7206VXR can be used as router shelves in a Cisco AS5800 Universal Access Server. For information about the Cisco 7206 and Cisco 7206VXR as router shelves, refer to the Cisco AS5800 Universal Access Server documentation listed in the “If You Need More Information” section on page vii.

---

For complete descriptions of interface subcommands and the configuration options available for interfaces, and which ones support HSSI port adapter functionality, refer to the documentation resources listed in the “If You Need More Information” section on page vii.

## Document Organization

This document is organized into the following chapters:

- Chapter 1, “Overview,” describes the PA-2H dual-port HSSI port adapter, illustrates its location in the supported hardware platforms, and describes its LED displays, cables, and receptacles.

- Chapter 2, “Preparing for Installation,” is a preparatory chapter that describes safety considerations, tools required, and procedures you should perform *before the actual installation*.
- Chapter 3, “VIP2 and the Dual-Port HSSI Port Adapter,” provides instructions for installing the PA-2H dual-port HSSI port adapter on a VIP2 interface processor installed in a Cisco 7500 or Cisco 7000 series router.
- Chapter 4, “Catalyst RSM/VIP2 and the Dual-Port HSSI Port Adapter,” provides instructions for installing the PA-2H dual-port HSSI port adapter on a Catalyst RSM/VIP2 installed in the Catalyst 5000 family switches.
- Chapter 5, “Cisco 7200 Series and the Dual-Port HSSI Port Adapter,” provides instructions for installing the PA-2H dual-port HSSI port adapter in a Cisco 7200 series router.
- Chapter 6, “Cisco uBR7200 Series and the Dual-Port HSSI Port Adapter,” provides instructions for installing the PA-2H dual-port HSSI port adapter in Cisco uBR7200 series universal broadband routers.
- Chapter 7, “Cable Installation and Interface Configuration,” provides instructions for installing port adapter cables and configuring your port adapter on the supported platforms. The instructions given in this chapter apply to all supported platforms described in this document.

## Cisco Connection Online

Cisco Connection Online (CCO) is Cisco Systems’ primary, real-time support channel. Maintenance customers and partners can self-register on CCO to obtain additional information and services.

Available 24 hours a day, 7 days a week, CCO provides a wealth of standard and value-added services to Cisco’s customers and business partners. CCO services include product information, product documentation, software updates, release notes, technical tips, the Bug Navigator, configuration notes, brochures, descriptions of service offerings, and download access to public and authorized files.

CCO serves a wide variety of users through two interfaces that are updated and enhanced simultaneously: a character-based version and a multimedia version that resides on the World Wide Web (WWW). The character-based CCO supports Zmodem, Kermit, Xmodem, FTP, and Internet e-mail, and it is excellent for quick access to information over lower bandwidths. The WWW version of CCO provides richly formatted documents with photographs, figures, graphics, and video, as well as hyperlinks to related information.

You can access CCO in the following ways:

- WWW: <http://www.cisco.com>
- WWW: <http://www-europe.cisco.com>
- WWW: <http://www-china.cisco.com>
- Telnet: [cco.cisco.com](http://cco.cisco.com)
- Modem: From North America, 408 526-8070; from Europe, 33 1 64 46 40 82. Use the following terminal settings: VT100 emulation; databits: 8; parity: none; stop bits: 1; and connection rates up to 28.8 kbps.

For a copy of CCO’s Frequently Asked Questions (FAQ), contact [cco-help@cisco.com](mailto:cco-help@cisco.com). For additional information, contact [cco-team@cisco.com](mailto:cco-team@cisco.com).

---

**Note** If you are a network administrator and need personal technical assistance with a Cisco product that is under warranty or covered by a maintenance contract, contact Cisco's Technical Assistance Center (TAC) at 800 553-2447, 408 526-7209, or [tac@cisco.com](mailto:tac@cisco.com). To obtain general information about Cisco Systems, Cisco products, or upgrades, contact 800 553-6387, 408 526-7208, or [cs-rep@cisco.com](mailto:cs-rep@cisco.com).

---

## Documentation CD-ROM

Cisco documentation and additional literature are available in a CD-ROM package, which ships with your product. The Documentation CD-ROM, a member of the Cisco Connection Family, is updated monthly. Therefore, it might be more current than printed documentation. To order additional copies of the Documentation CD-ROM, contact your local sales representative or call customer service. The CD-ROM package is available as a single package or as an annual subscription. You can also access Cisco documentation on the World Wide Web at <http://www.cisco.com>, <http://www-china.cisco.com>, or <http://www-europe.cisco.com>.

If you are reading Cisco product documentation on the World Wide Web, you can submit comments electronically. Click **Feedback** in the toolbar and select **Documentation**. After you complete the form, click **Submit** to send it to Cisco. We appreciate your comments.

## If You Need More Information

Your router and the Cisco IOS software running on it contain extensive features and functionality, which are documented in the following resources:

- Cisco Documentation CD-ROM package

Cisco documentation and additional literature are available in a CD-ROM package, which ships with your product. The Documentation CD-ROM, a member of the Cisco Connection Family, is updated monthly; therefore, it might be more up to date than printed documentation. To order additional copies of the Documentation CD-ROM, contact your local sales representative or call customer service. The CD-ROM package is available as a single package or as an annual subscription.

If you are reading Cisco product documentation on the World Wide Web, you can submit comments electronically. Click **Feedback** on the toolbar; and then select **Documentation**. After you complete the form, click **Submit** to send it to Cisco. We appreciate your comments.

---

**Note** You can access Cisco IOS software configuration and hardware installation and maintenance documentation on the World Wide Web at <http://www.cisco.com>, <http://www-china.cisco.com>, or <http://www-europe.cisco.com>.

---

- For Cisco IOS software configuration information and support, refer to the modular configuration and modular command reference publications in the Cisco IOS software configuration documentation set that corresponds to the software release installed on your Cisco hardware.
- For hardware installation and maintenance information on the Cisco 7000 series and Cisco 7500 series routers, and the VIP2, refer to the following publications:
  - The installation and configuration guide that shipped with your Cisco 7000 series or Cisco 7500 series router

- *Second-Generation Versatile Interface Processor (VIP2) Installation and Configuration* (for VIP2 users only)
- For hardware installation and maintenance information on the Catalyst 5000 family switches and the Catalyst RSM/VIP2, refer to the following publications:
  - The installation and configuration guide that shipped with your Catalyst 5000 family switches
  - *Route Switch Module Catalyst VIP2-15 and VIP2-40 Installation and Configuration Note* (Document Number 78-4780-01) which shipped with your Catalyst RSM/VIP2
- For hardware installation and maintenance information on the Cisco 7200 VXR routers, refer to the *Cisco 7200 VXR Installation and Configuration Guide* that shipped with your Cisco 7200 VXR router.
- For hardware installation and maintenance information on the Cisco 7200 routers, refer to the following publications that shipped with your router:
  - *Cisco 7202 Installation and Configuration Guide*
  - *Cisco 7204 Installation and Configuration Guide*
  - *Cisco 7206 Installation and Configuration Guide*
- For port adapter hardware and memory configuration guidelines for the Cisco 7200 series routers (including a Cisco 7206 and Cisco 7206VXR as router shelves in the Cisco AS5800 Universal Access Server), refer to the document *Cisco 7200 Series Port Adapter Hardware Configuration Guidelines*.
- For hardware installation and maintenance information on the Cisco uBR7200 series universal broadband router, refer to the *Cisco uBR7246 Universal Broadband Router Installation and Configuration Guide* that shipped with your Cisco uBR7246 universal broadband router, or the *Cisco uBR7223 Universal Broadband Router Installation and Configuration Guide* that shipped with your Cisco uBR7223.
- For hardware installation and maintenance information and software configuration information on the Cisco AS5800 Universal Access Server, refer to the following publications:
  - *Cisco AS5800 Universal Access Server Hardware Installation and Configuration Guide*
  - *Cisco AS5800 Universal Access Server Software Installation and Configuration Guide*
- For international agency compliance, safety, and statutory information for wide-area network (WAN) interfaces for the Cisco 7500 series, Cisco 7000 series, Cisco 7200 series routers, the Cisco uBR7200 series universal broadband routers, and the Cisco AS5800 Universal Access Server, refer to the following publications:
  - *Regulatory Compliance and Safety Information for the Cisco 7500 Series Routers*
  - *Regulatory Compliance and Safety Information for the Cisco 7000 Series Routers*
  - *Regulatory Compliance and Safety Information for the Cisco 7200 Series Routers*
  - *Regulatory Compliance and Safety Information for the Cisco uBR7246 Universal Broadband Router or Regulatory Compliance and Safety Information for the Cisco uBR7223 Universal Broadband Router*
  - *Cisco AS5800 Universal Access Server Regulatory Compliance and Safety Information*

---

**Note** The regulatory compliance and safety information documentation listed above applies to the Catalyst 5000 family switches and the Catalyst RSM/VIP2.

---

- For general information about documentation, refer to the Documentation CD-ROM, the “Cisco Connection Online” section on page vi or call Customer Service at 800 553-6387 or 408 526-7208. Customer Service hours are 5:00 a.m. to 6:00 p.m. Pacific time, Monday through Friday (excluding Cisco-observed holidays). You can also send e-mail to [cs-rep@cisco.com](mailto:cs-rep@cisco.com), refer to the *Cisco Information Packet* that shipped with your router, or access Cisco documentation on the World Wide Web at <http://www.cisco.com>, <http://www-china.cisco.com>, or <http://www-europe.cisco.com>.





# Overview

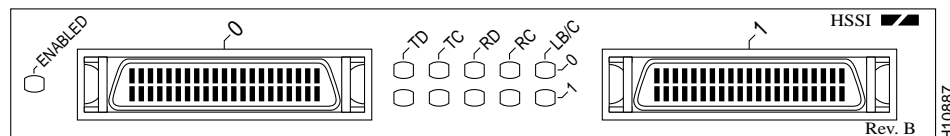
This chapter provides physical and functional overviews of the PA-2H dual-port high-speed serial interface (HSSI) port adapter. The chapter contains the following sections:

- Port Adapter Overview, page 1-1
- LEDs, page 1-3
- Receptacles, Cables, and Pinouts, page 1-4

## Port Adapter Overview

The PA-2H dual-port HSSI port adapter provides two high-speed serial interfaces. (See Figure 1-1.) The interfaces on PA-2H are considered to be data terminal equipment (DTE) devices. (Port adapters have a handle attached, but this handle is occasionally not shown in figures in this publication to allow a full view of detail on the port adapter faceplate.)

**Figure 1-1 PA-2H Port Adapter (Faceplate View)**



HSSI network interfaces reside on modular port adapters, which provide a direct connection between the high-speed bus in the router and the external networks. The PA-2H port adapter can be installed in the following slots on the hardware platforms described in this document:

- VIP2—Port adapter slot 0 and port adapter slot 1
- Catalyst RSM/VIP2—Port adapter slot 0 and port adapter slot 1
- Cisco 7200 series routers—Port adapter slot 1 through 6 in the Cisco 7206, or slots 1 through 4 in the Cisco 7204
- Cisco uBR7200 series routers—Port adapter slot 1 or slot 2 of the Cisco uBR7246, and port adapter slot 1 for the Cisco uBR7223.

Each HSSI port is a female, 50-pin, SCSI-II-type receptacle. You must use an HSSI interface cable to connect the interface with an external data service unit (DSU). Refer to the “Receptacles, Cables, and Pinouts” section on page 1-4 for descriptions of HSSI cables.

The HSSI port adapter conforms to BABT/TC/130 and EIA/TIA-612 and EIA/TIA-613 standards for HSSI. PA-2H provides two interfaces. Each interface provides a full-duplex synchronous serial interface for transmitting and receiving data at rates of up to 52 megabits per second (Mbps).

The HSSI, which was recently standardized as EIA/TIA 612/613, provides access to services at T3 (45 Mbps), E3 (34 Mbps), and Synchronous Optical Network (SONET) STS-1 (51.82 Mbps) rates. The actual rate of the interface depends on the external DSU and the type of service to which it is connected.

The port adapter supports both 16- and 32-bit cyclic redundancy checks (CRCs). The default is 16-bit CRCs; to enable 32-bit CRCs, you use a configuration command. (For a description of the CRC function, refer to “Chapter 7, “Cable Installation and Interface Configuration.”

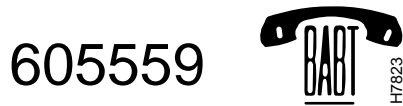
---

**Note** While the VIP2 and Catalyst RSM/VIP2 supports online insertion and removal, individual port adapters do not. To replace port adapters in the Cisco 7000 series and Cisco 7500 series routers, and the Catalyst 5000 family switches, you must first remove the VIP2 or Catalyst RSM/VIP2 from the chassis, then replace port adapters as required. Online insertion and removal is supported for port adapters in the Cisco 7200 series and Cisco uBR7200 series routers.

---

The BABT605559 marking on the HSSI port adapter signifies that the port adapter meets United Kingdom directive 605559 and has been designed to BABT/TC/130 standards. The BABT label is located on the top of each HSSI port adapter (PA-2H). Figure 1-2 shows the BABT label.

**Figure 1-2** BABT Label for the HSSI Port Adapter



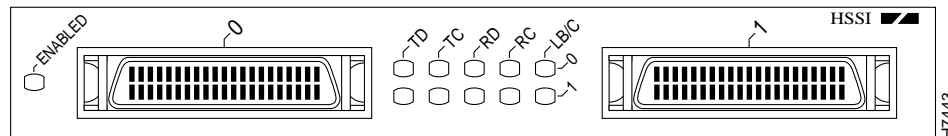

---

**Note** PA-2H has been updated to Revision B (Rev. B).

---

The newest dual-port HSSI port adapter can be identified by *Rev. B* in the lower right corner of its front-panel label (see Figure 1-1). The older dual-port HSSI port adapter does *not* have *Rev. B* on its label (see Figure 1-3). (For specific information on software and hardware compatibility, refer to Chapter 2, “Preparing for Installation.”

**Figure 1-3** Older HSSI Port Adapter (Pre-Rev. B)



To determine which dual-port HSSI port adapter you currently have installed, examine the front-panel label or, use the **show diagbus** command. (For information on using the **show diagbus** command, refer to Chapter 7, “Cable Installation and Interface Configuration.”)

---

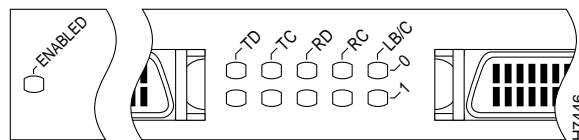
**Note** You should replace older PA-2H port adapters with the newer PA-2H Rev. B port adapter. Contact Cisco's Technical Assistance Center (TAC) for replacement details. (For information on the TAC, refer to the "Cisco Connection Online" section on page vi.)

---

## LEDs

This section provides information on the LEDs on the faceplate of the HSSI port adapter. The HSSI port adapter has two rows of five status LEDs, one row of five for each HSSI port on the port adapter (TD, TC, RD, RC, and LB/C), and one enabled LED for the port adapter. (See Figure 1-4.)

**Figure 1-4 LEDs on the HSSI Port Adapter (Partial Front View of PA-2H Shown)**



After system initialization, the enabled LED, which is present on all interface processors, lights to indicate that the port adapter has been enabled for operation.

The following conditions must be met before the HSSI port adapter is enabled:

- The port adapter contains a valid microcode version that has successfully been downloaded.
- The port adapter is correctly connected to the backplane and receiving power in Cisco 7000 series and Cisco 7500 series routers, the Catalyst 5000 family switches, or to the midplane and receiving power in Cisco 7200 series and Cisco uBR7200 series routers.
- The bus recognizes the port adapter or HSSI-equipped VIP2 or Catalyst RSM/VIP2.

If any of these conditions is not met, or if the initialization fails for other reasons, the enabled LED does not go on.

The five additional status LEDs on the HSSI port adapter indicate the following:

- TD—When on, the transmit data LED indicates that the port adapter has been detected by, and is able to send packets to, the external DSU.
- TC—When on, the transmit clock LED indicates that the port adapter is transmitting a transmit clock signal to the external DSU. During normal operation, this signal is derived from the RT signal from the external DSU. During loopback, this signal is generated internally.
- RD—When on, the receive data LED indicates that the port adapter has detected, and is able to receive packets from, the external DSU.
- RC—When on, the receive clock LED indicates that the port adapter has detected a Receive Clock signal. During normal operation, this signal is received from the external DSU. During loopback, this signal is generated internally.
- LB/C—When green, this dual-color, loopback/connected LED indicates normal operation which means that the port adapter is properly connected to the external DSU and the TA (data terminal equipment [DTE] Available) and CA (data communications equipment [DCE] Available) signals are active. (See Table 1-1.) When yellow, this LED indicates that the port adapter is in loopback (LB) mode or is otherwise not physically connected to the DSU. When off, the port is neither connected or in loopback mode.

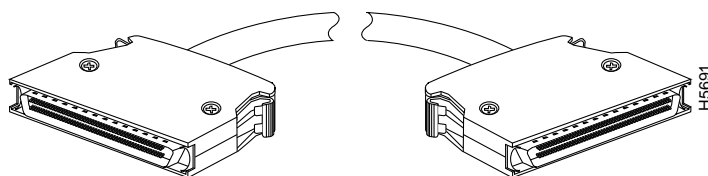
## Receptacles, Cables, and Pinouts

This section provides information about the HSSI cables you should use with the HSSI port adapter. Two types of cables are available for use with the HSSI port adapter: the HSSI interface cable used to connect your router to an external DSU (and HSSI network) and a null modem cable, which allows you to connect two routers back to back. Both HSSI cables are available only from Cisco systems and conform to EIA/TIA-612 and EIA/TIA-613 specifications.

### HSSI Interface Cable

The HSSI cable (CAB-HSI1=) connects the HSSI port adapter with the external DSU. The HSSI cable is 10-feet (3.048 meters) long. The maximum HSSI cable length allowed is 50 feet (15.24 meters). Figure 1-5 shows the HSSI cable and the 50-pin connector used at each end of the HSSI cable. Table 1-1 lists the pinout.

**Figure 1-5 HSSI Interface Cable and Connectors**



**Table 1-1 HSSI Interface Cable Pinout**

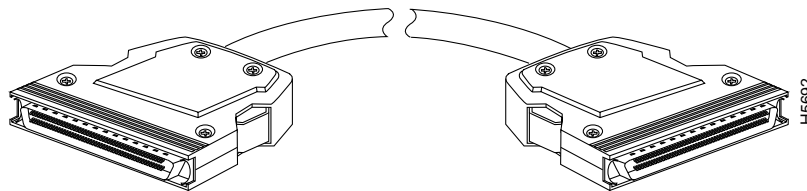
Signal Name	+ Side Pin No.	– Side Pin No.	Direction <sup>1</sup>	
			Router	DSU
SG (Signal Ground)	1	26	—	
RT (Receive Timing)	2	27	<—	
CA (DCE Available)	3	28	<—	
RD (Receive Data reserved)	4	29	<—	
LC (Loopback circuit C)	5	30	<—	
ST (Send Timing)	6	31	<—	
SG (Signal Ground)	7	32	—	
TA (DTE Available)	8	33	—>	
TT (Terminal Timing)	9	34	—>	
LA (Loopback circuit A)	10	35	—>	
SD (Send Data)	11	36	—>	
LB (Loopback circuit B)	12	37	—>	
SG (Signal Ground)	13	38	—	
5 (Ancillary to DCE)	14–18	39–43	—>	
SG (Signal Ground)	19	44	—	
5 (Ancillary from DCE)	20–24	45–49	<—	
SG (Signal Ground)	25	50	—	

<sup>1</sup> Router is + side (DTE). DSU is – side (DCE).

## HSSI Null Modem Cable

The null modem cable (CAB-HNUL=) can connect two routers directly back to back. The null modem cable is 10-feet (3.048 meters) long. Figure 1-6 shows the null modem cable. The maximum null modem cable length allowed is 50 feet (15.24 meters). The two routers must be in the same location and can be two Cisco 7000 series routers, two Cisco 7500 series routers, two Cisco 7200 series routers, two Cisco uBR7200 series routers, or any combination of each. A null modem connection allows you to verify the operation of the HSSI or to link the routers directly in order to build a larger node.

**Figure 1-6 Null Modem Cable Connectors**



The null modem cable uses the same 50-pin connectors as the HSSI cable, but uses the pinouts listed in Table 1-2. For connection and configuration instructions, refer to Chapter 7, “Cable Installation and Interface Configuration,” for information about attaching null modem cables.

**Table 1-2 HSSI Null Modem Cable Pinouts**

Signal Name	From Pins	Direction	To Pins	Signal Name
RT (Receive Timing)	2, 27	—>	9, 34	TT (Terminal Timing)
CA (DCE available)	3, 28	—>	8, 33	TA (DTE Available)
RD (Receive Data)	4, 29	—>	11, 36	SD (Send Data)
LC (Loopback C)	5, 30	—>	10, 35	LA (Loopback A)
ST (Send Timing)	6, 31	—>	6, 31	ST (Send Timing)
TA (DTE available)	8, 33	—>	3, 28	CA (DCE Available)
TT (Terminal Timing)	9, 34	—>	2, 27	RT (Receive Timing)
LA (Loopback A)	10, 35	—>	5, 30	LC (Loopback C)
SD (Send Data)	11, 36	—>	4, 29	RD (Receive Data)
GND (Ground)	1, 26, 7, 32, 13, 38, 19, 44, 25, 50		1, 26, 7, 32, 13, 38, 19, 44, 25, 50	GND (Ground)
Loopback (not connected)	12, 37		12, 37	Loopback (not connected)
Not used	14–18, 20–24, 39–43, 45–49		14–18, 20–24, 39–43, 45–49	Not used



**Caution** Although the HSSI connector and the HSSI cable are similar to SCSI-II format, they are not identical. The HSSI cable specification is more restrictive than that for the SCSI-II. If a SCSI-II cable is used instead of an HSSI cable, proper operation cannot be guaranteed.



# Preparing for Installation

---

This chapter describes the general equipment, safety, and site preparation requirements for installing the PA-2H dual-port high-speed serial interface (HSSI) port adapters. This chapter contains the following sections:

- List of Parts and Tools, page 2-1
- Software and Hardware Requirements, page 2-2
- Safety Guidelines, page 2-3
- FCC Class B Compliance, page 2-6

## List of Parts and Tools

You need the following parts and tools to install a port adapter. If you need additional equipment, contact a service representative for ordering information.

- PA-2H(=), (Revision B) dual-port HSSI port adapter and one of the following:
  - VIP2-15(=), VIP2-20=, VIP2-40(=), or VIP2-50(=) motherboard
  - Catalyst RSM/VIP2-15(=) or Catalyst RSM/VIP2-40(=) motherboard
  - Cisco 7200 series router (including a Cisco 7206 as a router shelf in a Cisco AS5800 Universal Access Server) with at least one available port adapter slot
  - Cisco uBR7200 series router with at least one available port adapter slot
- HSSI cables appropriate for the port adapter's interfaces. (HSSI cables are available *only* from Cisco Systems; they are *not* available from outside commercial cable vendors.)



**Caution** Although the port adapter's HSSI connector and the HSSI cable are similar to SCSI-II format, they are not identical. The HSSI cable specification is more restrictive than that for SCSI-II. If a SCSI-II cable is used instead of an HSSI cable, proper operation cannot be guaranteed.

- Number 1 Phillips and a 3/16-inch, flat-blade screwdriver (for VIP2 and Catalyst RSM/VIP2 installation only)
- Your own ESD-prevention equipment or the disposable grounding wrist strap included with all upgrade kits, field-replaceable units (FRUs), and spares

## Software and Hardware Requirements

Table 2-1 lists the minimum Cisco IOS software release required to use the 2H port adapters in supported router platforms.

**Table 2-1 2H Port Adapter Software Requirements**

Platform	Minimum Cisco IOS Release
<b>Cisco 7000 series and Cisco 7500 series</b>	
• With VIP2-15(=)	Cisco IOS Release 11.1(15)CA or a later release of Cisco IOS Release 11.1 CA
• With VIP2-40(=)	Cisco IOS Release 11.1(15)CA or a later release of Cisco IOS Release 11.1 CA
• With VIP2-50(=)	Cisco IOS Release 11.1(14)CA or a later release of Cisco IOS Release 11.1 CA
<b>Cisco 7200 series</b>	
• Cisco 7204VXR, and Cisco 7206VXR	Cisco IOS Release 12.0(2)XE2 or a later release of Cisco IOS Release 12.0 XE Cisco IOS Release 12.0(3)T or a later release of Cisco IOS Release 12.0 T
• Cisco 7204 and Cisco 7206	Cisco IOS Release 11.1(15)CA or a later release of Cisco IOS Release 11.1 CA
• Cisco 7202	Cisco IOS Release 11.1(19)CC1 or a later release of Cisco IOS Release 11.1 CC Cisco IOS Release 11.3(4)AA or a later release of Cisco IOS Release 11.3 AA
• Cisco 7206 router shelf	Cisco IOS Release 11.3(2)AA or a later release of Cisco IOS Release 11.3 AA
<b>Cisco uBR7200 series</b>	
• Cisco uBR7246 and Cisco uBR7223	Cisco IOS Release 12.0(3)T or later release of Cisco IOS Release 12.0T
<b>Catalyst 5000 family switches</b>	
• With Catalyst RSM/VIP2-15(=)	Cisco IOS Release 11.2(15A)P or later release of Cisco IOS Release 11.2P
• With Catalyst RSM/VIP2-40(=)	Cisco IOS Release 11.2(15A)P or later release of Cisco IOS Release 11.2P

**Note** In the Cisco 7200 series routers, there are specific configuration guidelines that must be observed for high-bandwidth port adapters such as the PA-2H Rev. B. For port adapter hardware and memory configuration guidelines for the Cisco 7200 series routers (including a Cisco 7206 as a router shelf in a Cisco AS5800 Universal Access Server), refer to the document, *Cisco 7200 Series Port Adapter Hardware Configuration Guidelines*, that shipped with your Cisco 7200 series router.



**Caution** The VIP2 requires that the host Cisco 7000 series router has the RSP7000 and RSP7000CI installed. The VIP2 will *not* operate properly with the Route Processor (RP), Switch Processor (SP), or Silicon Switch Processor (SSP) installed in the host Cisco 7000 series router.



**Caution** If you are using the HSSI dual-port adapter in the Catalyst 5000, 5500, 5505, or 5509 switch, you must install the port adapter on the Catalyst RSM/VIP2-15 or -40 Revision 2 (board part number 73-3468-XX, where XX is the version number). Do not use the HSSI dual-port adapter in the Catalyst 5000, 5505, or 5509 switch if you are installing it on a Catalyst RSM/VIP2-15 or -40 module that is not the Revision 2. If you fail to comply with this restriction, your system will shut down due to an overload of the power supply.



**Caution** You can only have two HSSI dual-port adapters per chassis when installed on a Catalyst RSM/VIP2-15 or -40 module Revision 1 and used in the Catalyst 5500 switch.



PA-2H cannot be used with a PA-A1 (Asynchronous Transfer Mode [ATM]) port adapter installed in the adjacent port adapter slot of your VIP2 or Catalyst RSM/VIP2. All other port adapters are compatible with PA-2H when installed in the adjacent port adapter slot of your VIP2 or Catalyst RSM/VIP2.

---

**Note** PA-2H(=) is considered a *high-bandwidth* port adapter; therefore, and at a minimum, we recommend that the PA-2H port adapter be installed on the VIP2-15 motherboard (with 1 MB of SRAM and 8 MB of DRAM) or Catalyst RSM/VIP2-15 motherboard (with 1-MB SRAM and 16-MB DRAM).

Cisco does not recommend using PA-2H on the VIP2-10 (with 512 KB of SRAM and 8 MB of DRAM).

---

**Note** Port adapters used with the 7200 VXR routers require the correct base hardware revision in order to function. The following error message will occur on bootup if the incorrect hardware revision is used:

```
> PA-3-REVNOTSUPPORTED:PA in slot 1 (Ethernet) requires base h/w revision of (1.3)
for this chassis
```

Use the **sh diag** command to display the hardware revision. (See the “Using show Commands to Verify the New Interface Status” section on page 7-9).

---

## Safety Guidelines

Following are safety guidelines that you should follow when working with any equipment that connects to electrical power or telephone wiring.

## Safety Warnings

Safety warnings appear throughout this publication in procedures that, if performed incorrectly, might harm you. A warning symbol precedes each warning statement.



**Warning** This warning symbol means *danger*. You are in a situation that could cause bodily injury. Before you work on any equipment, be aware of the hazards involved with electrical circuitry and be familiar with standard practices for preventing accidents. To see translations of the warnings that appear in this publication, refer to the *Regulatory Compliance and Safety Information* document that accompanied this device.

**Waarschuwing** Dit waarschuwingssymbool betekent gevaar. U verkeert in een situatie die lichamelijk letsel kan veroorzaken. Voordat u aan enige apparatuur gaat werken, dient u zich bewust te zijn van de bij elektrische schakelingen betrokken risico's en dient u op de hoogte te zijn van standaard maatregelen om ongelukken te voorkomen. Voor vertalingen van de waarschuwingen die in deze publicatie verschijnen, kunt u het document *Regulatory Compliance and Safety Information* (Informatie over naleving van veiligheids- en andere voorschriften) raadplegen dat bij dit toestel is ingesloten.

**Varoitus** Tämä varoitusmerkki merkitsee vaaraa. Olet tilanteessa, joka voi johtaa ruumiinvammaan. Ennen kuin työskentelet minkään laitteiston parissa, ota selvää sähkökytkentöihin liittyvistä vaaroista ja tavanomaisista onnettomuuksien ehkäisykeinoista. Tässä julkaisussa esiintyvien varoitusten käännökset löydät laitteen mukana olevasta *Regulatory Compliance and Safety Information* -kirjasesta (määräysten noudattaminen ja tietoa turvallisuudesta).

**Attention** Ce symbole d'avertissement indique un danger. Vous vous trouvez dans une situation pouvant causer des blessures ou des dommages corporels. Avant de travailler sur un équipement, soyez conscient des dangers posés par les circuits électriques et familiarisez-vous avec les procédures couramment utilisées pour éviter les accidents. Pour prendre connaissance des traductions d'avertissements figurant dans cette publication, consultez le document *Regulatory Compliance and Safety Information* (Conformité aux règlements et consignes de sécurité) qui accompagne cet appareil.

**Warnung** Dieses Warnsymbol bedeutet Gefahr. Sie befinden sich in einer Situation, die zu einer Körperverletzung führen könnte. Bevor Sie mit der Arbeit an irgendeinem Gerät beginnen, seien Sie sich der mit elektrischen Stromkreisen verbundenen Gefahren und der Standardpraktiken zur Vermeidung von Unfällen bewusst. Übersetzungen der in dieser Veröffentlichung enthaltenen Warnhinweise finden Sie im Dokument *Regulatory Compliance and Safety Information* (Informationen zu behördlichen Vorschriften und Sicherheit), das zusammen mit diesem Gerät geliefert wurde.

**Avvertenza** Questo simbolo di avvertenza indica un pericolo. La situazione potrebbe causare infortuni alle persone. Prima di lavorare su qualsiasi apparecchiatura, occorre conoscere i pericoli relativi ai circuiti elettrici ed essere al corrente delle pratiche standard per la prevenzione di incidenti. La traduzione delle avvertenze riportate in questa pubblicazione si trova nel documento *Regulatory Compliance and Safety Information* (Conformità alle norme e informazioni sulla sicurezza) che accompagna questo dispositivo.

**Advarsel** Dette varselsymboler betyr fare. Du befinner deg i en situasjon som kan føre til personskade. Før du utfører arbeid på utstyr, må du være oppmerksom på de faremomentene som elektriske kretser innebærer, samt gjøre deg kjent med vanlig praksis når det gjelder å unngå ulykker. Hvis du vil se oversettelser av de advarslene som finnes i denne publikasjonen, kan du se i dokumentet *Regulatory Compliance and Safety Information* (Overholdelse av forskrifter og sikkerhetsinformasjon) som ble levert med denne enheten.

**Aviso** Este símbolo de aviso indica perigo. Encontra-se numa situação que lhe poderá causar danos físicos. Antes de começar a trabalhar com qualquer equipamento, familiarize-se com os perigos relacionados com circuitos eléctricos, e com quaisquer práticas comuns que possam prevenir possíveis acidentes. Para ver as traduções dos avisos que constam desta publicação, consulte o documento *Regulatory Compliance and Safety Information* (Informação de Segurança e Disposições Reguladoras) que acompanha este dispositivo.

**¡Advertencia!** Este símbolo de aviso significa peligro. Existe riesgo para su integridad física. Antes de manipular cualquier equipo, considerar los riesgos que entraña la corriente eléctrica y familiarizarse con los procedimientos estándar de prevención de accidentes. Para ver una traducción de las advertencias que aparecen en esta publicación, consultar el documento titulado *Regulatory Compliance and Safety Information* (Información sobre seguridad y conformidad con las disposiciones reglamentarias) que se acompaña con este dispositivo.

**Warning!** Denna varningssymbol signalerar fara. Du befinner dig i en situation som kan leda till personskada. Innan du utför arbete på någon utrustning måste du vara medveten om farorna med elkretsar och känna till vanligt förfarande för att förebygga skador. Se förklaringar av de varningar som förekommer i denna publikation i dokumentet *Regulatory Compliance and Safety Information* (Efterrättelse av föreskrifter och säkerhetsinformation), vilket medföljer denna anordning.

## Electrical Equipment Guidelines

Follow these basic guidelines when working with any electrical equipment:

- Before beginning any procedures requiring access to the chassis interior, locate the emergency power-off switch for the room in which you are working.
- Disconnect all power and external cables before moving a chassis.
- Do not work alone when potentially hazardous conditions exist and never assume that power has been disconnected from a circuit; always check.
- Do not perform any action that creates a potential hazard to people or makes the equipment unsafe. Carefully examine your work area for possible hazards such as moist floors, ungrounded power extension cables, and missing safety grounds.

## Telephone Wiring Guidelines

Use the following guidelines when working with any equipment that is connected to telephone wiring or to other network cabling:

- Never install telephone wiring during a lightning storm.
- Never install telephone jacks in wet locations unless the jack is specifically designed for wet locations.
- Never touch uninsulated telephone wires or terminals unless the telephone line has been disconnected at the network interface.
- Use caution when installing or modifying telephone lines.

## Preventing Electrostatic Discharge Damage

Electrostatic discharge (ESD) damage, which can occur when electronic cards or components are improperly handled, results in complete or intermittent failures. Port adapters and processor modules comprise printed circuit boards that are fixed in metal carriers. Electromagnetic interference (EMI) shielding and connectors are integral components of the carrier. Although the metal carrier helps to protect the board from ESD, use a preventive antistatic strap during handling.

Following are guidelines for preventing ESD damage:

- Always use an ESD wrist or ankle strap and ensure that it makes good skin contact.
- Connect the equipment end of the strap to an unfinished chassis surface.
- When installing a component, use any available ejector levers or captive installation screws to properly seat the bus connectors in the backplane or midplane. These devices prevent accidental removal, provide proper grounding for the system, and help to ensure that bus connectors are properly seated.
- When removing a component, use any available ejector levers or captive installation screws to release the bus connectors from the backplane or midplane.
- Handle carriers by available handles or edges only; avoid touching the printed circuit boards or connectors.
- Place a removed component board-side-up on an antistatic surface or in a static shielding container. If you plan to return the component to the factory, immediately place it in a static shielding container.

- Avoid contact between the printed circuit boards and clothing. The wrist strap only protects components from ESD voltages on the body; ESD voltages on clothing can still cause damage.
- Never attempt to remove the printed circuit board from the metal carrier.



**Caution** For safety, periodically check the resistance value of the antistatic strap. The measurement should be between 1 and 10 megohms.

## FCC Class B Compliance

The equipment described in this manual generates and may radiate radio-frequency energy. If it is not installed in accordance with Cisco's installation instructions, it may cause interference with radio and television reception. This equipment has been tested and found to comply with the limits for a Class B digital device in accordance with the specifications in part 15 of the FCC rules. These specifications are designed to provide reasonable protection against such interference in a residential installation. However, there is no guarantee that interference will not occur in a particular installation.

You can determine whether your equipment is causing interference by turning it off. If the interference stops, it was probably caused by the Cisco equipment or one of its peripheral devices. If the equipment causes interference to radio or television reception, try to correct the interference by using one or more of the following measures:

- Turn the television or radio antenna until the interference stops.
- Move the equipment to one side or the other of the television or radio.
- Move the equipment farther away from the television or radio.
- Plug the equipment into an outlet that is on a different circuit from the television or radio. (That is, make certain the equipment and the television or radio are on circuits controlled by different circuit breakers or fuses.)

Modifications to this product not authorized by Cisco Systems, Inc. could void the FCC approval and negate your authority to operate the product.

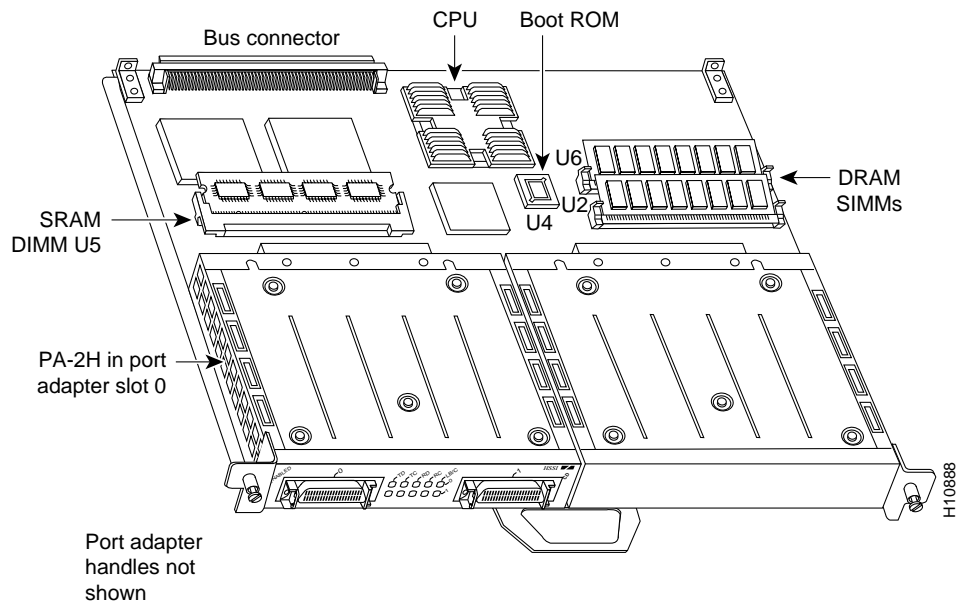
# VIP2 and the Dual-Port HSSI Port Adapter

This chapter describes the dual-port high-speed serial interface (HSSI) port adapter and its use on the VIP2 in Cisco 7200 series and Cisco 7500 series routers.

## Installation Overview

The HSSI port adapter can be installed in either port adapter slot 0 or port adapter slot 1 on the VIP2. Figure 3-1 shows a VIP2 with PA-2H installed in port adapter slot 0.

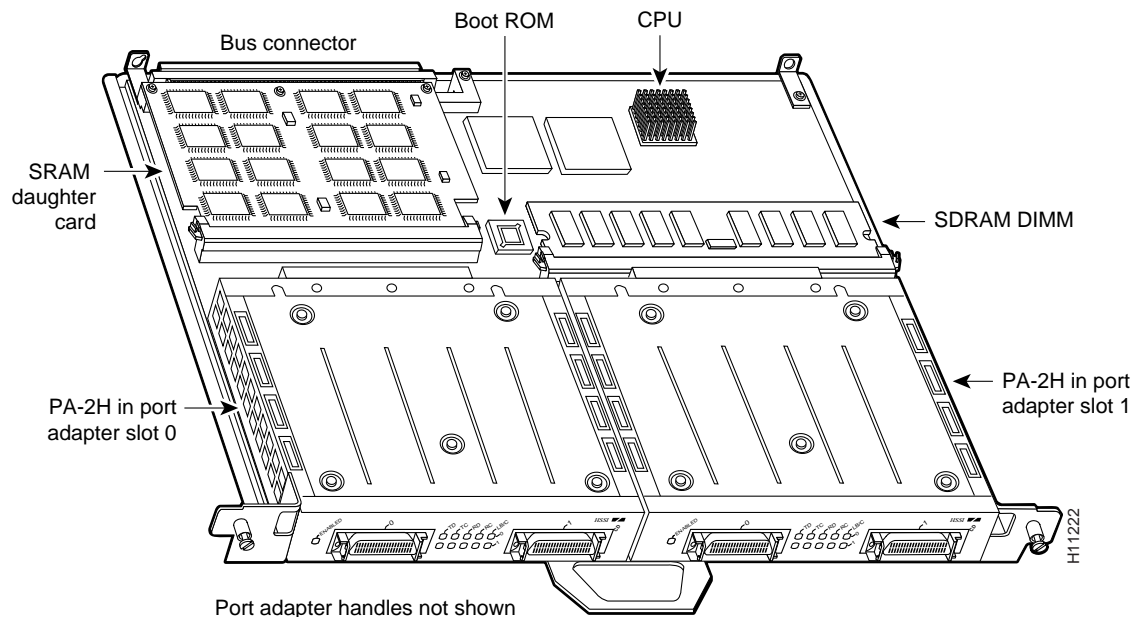
Figure 3-1 VIP2-15 or VIP2-40 with PA-2H in Port Adapter Slot 0



**Note** Port adapters have a handle attached, but this handle is not shown to allow a full view of detail on each port adapter's faceplate.

Figure 3-2 shows two HSSI port adapters (PA-H Rev. B) installed in port adapter slots 0 and 1, on a VIP2-50.

**Figure 3-2** VIP2-50 with Two HSSI Port Adapters in Port Adapter Slots 0 and 1




---

**Note** Port adapters have a handle attached, but this handle is not shown to allow a full view of detail on each port adapters faceplate.

---

Depending on the circumstances, you might need to install a new port adapter on a VIP2 motherboard or replace a failed port adapter in the field. In either case, you need a number 1 Phillips screwdriver, an antistatic mat onto which you can place the removed interface processor, and an antistatic container into which you can place a failed port adapter for shipment back to the factory.

---

**Note** Each port adapter circuit board is mounted to a metal carrier and is sensitive to ESD damage. Each port adapter has one Phillips-head screw that secures it to its port adapter slot. We strongly recommend that the following procedures be performed by a Cisco-certified service provider; however, this is not a requirement.

While the VIP2 supports online insertion and removal, individual port adapters do not. To replace port adapters, you must first remove the VIP2 from the chassis, then install or replace port adapters as required. If a blank port adapter is installed on the VIP2 in which you want to install a new port adapter, you must first remove the VIP2 from the chassis, then remove the blank port adapter.

---



**Caution** To prevent system problems, do not remove port adapters from the VIP2 motherboard or attempt to install other port adapters on the VIP2 motherboard, *while the system is operating*. To install or replace port adapters, first remove the VIP2 from its interface processor slot.



**Caution** To prevent interface reconfiguration requirements, you *should* replace a port adapter with the same type of port adapter you removed, but this is not a requirement.

When only one port adapter is installed on a VIP2, a blank port adapter must fill the empty slot to allow the VIP2 and router chassis to conform to electromagnetic interference (EMI) emissions requirements, and so that air flows through the chassis properly. If you plan to install a new port adapter, you must first remove the blank port adapter.

## Removing a Port Adapter

Following is the standard procedure for removing a port adapter from a VIP2:

**Step 1** Attach an ESD-preventive wrist strap between you and an unfinished chassis surface.



**Warning** During this procedure, wear grounding wrist straps to avoid ESD damage to the card. Do not directly touch the backplane with your hand or any metal tool, or you could shock yourself.

---

**Note** If you want to install a new port adapter on a VIP2 with a single port adapter, you must first remove the blank port adapter from the port adapter slot in which you want to install the new port adapter.

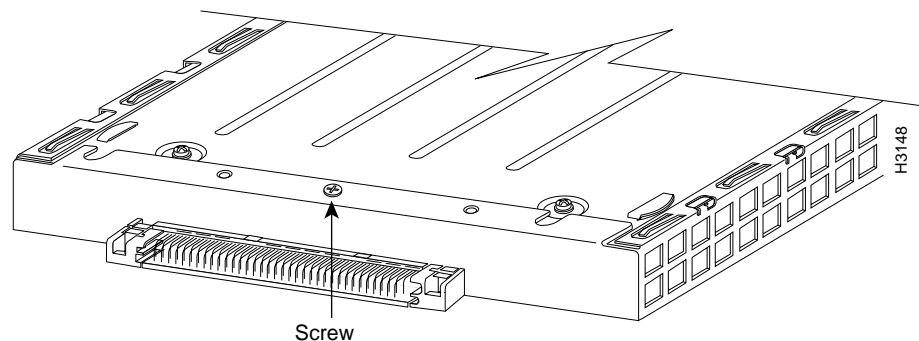
---

**Step 2** For a new port adapter installation or a port adapter replacement, disconnect any interface cables from the ports on the front of the port adapter (although this is not required). You can remove VIP2s with cables attached; however, we do not recommend it.

**Step 3** Remove the VIP2 from the system. To do so, follow the steps in the section “Removing a VIP2” in the configuration note *Second-Generation Versatile Interface Processor (VIP2) Installation and Configuration*, which shipped with your VIP2. Place the removed VIP2 on an antistatic mat.

**Step 4** Locate the screw at the rear of the port adapter (or blank port adapter) to be replaced. (See Figure 3-3.) This screw secures the port adapter (or blank port adapter) to its slot.

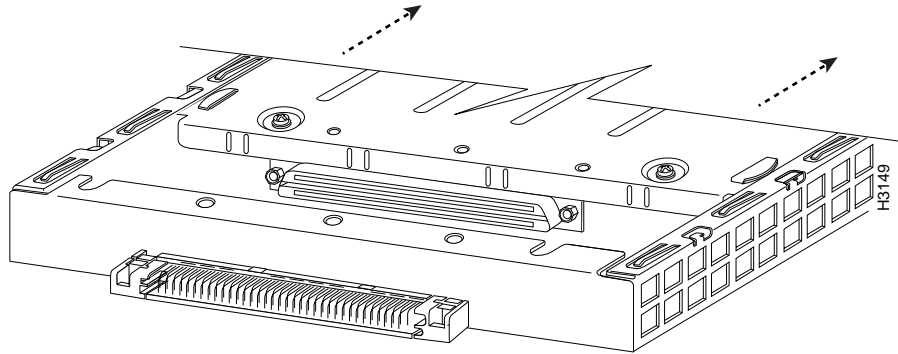
**Figure 3-3** Location of Port Adapter Screw (Partial Port Adapter View)



**Step 5** Remove the screw that secures the port adapter (or blank port adapter).

**Step 6** With the screw removed, grasp the handle on the front of the port adapter (or blank port adapter) and carefully pull it out of its slot, away from the edge connector at the rear of the slot. (See Figure 3-4.)

**Figure 3-4 Pulling a Port Adapter Out of a Slot (Partial Port Adapter View)**



**Step 7** If you removed a port adapter, place it in an antistatic container for safe storage or shipment back to the factory. If you removed a blank port adapter, no special handling is required; however, store the blank port adapter for potential future use.

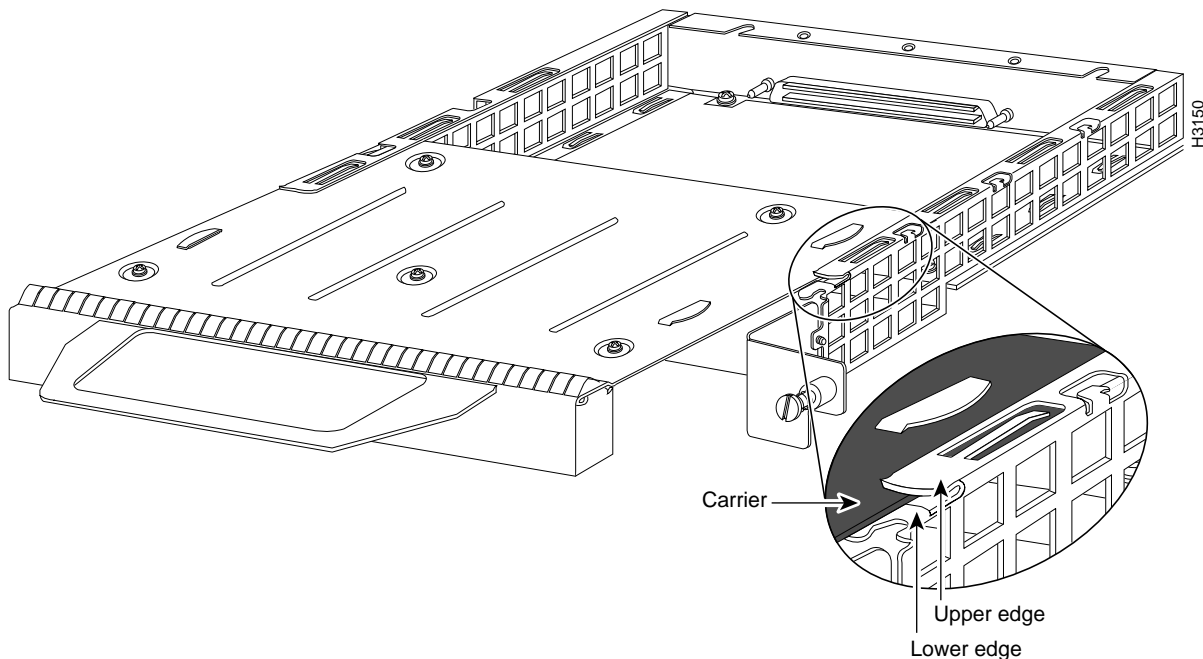
This completes the procedure for removing a port adapter from a VIP2.

## Installing a Port Adapter

Following is the standard procedure for installing a port adapter on a VIP2:

- Step 1** Remove the new port adapter from its antistatic container and position it at the opening of the slot. (See Figure 3-5.)
- Step 2** Carefully align the port adapter carrier between the upper and lower edges of the port adapter slot, as shown in Figure 3-5.

**Figure 3-5 Installing a New Port Adapter**







**Caution** To prevent jamming the carrier between the upper and lower edges of the port adapter slot, and to assure that the edge connector at the rear of the port adapter seats in the connector at the rear of the port adapter slot, make certain that the leading edges of the carrier are between the upper and lower slot edges, as shown in the cutaway in Figure 3-5.



**Caution** To ensure a positive ground attachment between the port adapter carrier and the VIP2 motherboard and port adapter slot, and to ensure that the connectors at the rear of the port adapter and slot seat properly, the carrier must be between the upper and lower slot edges.

**Step 3** Carefully slide the new port adapter into the port adapter slot until the connector on the port adapter is completely seated in the connector on the motherboard.

**Step 4** Replace the screw in the rear of the port adapter slot. (See Figure 3-3 for its location.) Do not overtighten this screw.

**Step 5** Reinstall the VIP2 in the system. To do so, follow the steps in the section “Installing a VIP2” in the configuration note *Second-Generation Versatile Interface Processor (VIP2) Installation and Configuration*, which shipped with your VIP2.

**Step 6** If disconnected, reconnect the interface cables to the port adapters.

This completes the procedure for installing a new port adapter or replacing a port adapter on a VIP2. To install the necessary cables and configure your HSSI port adapter, proceed to Chapter 7, “Cable Installation and Interface Configuration.”



# Catalyst RSM/VIP2 and the Dual-Port HSSI Port Adapter

---

This chapter describes the dual-port high-speed serial interface (HSSI) port adapter and its use on the Catalyst RSM/VIP2 in the Catalyst 5000 family switches.



**Caution** If you are using the HSSI dual-port adapter in the Catalyst 5000, 5500, 5505, or 5509 switch, you must install the port adapter on the Catalyst RSM/VIP2-15 or -40 Revision 2 (board part number 73-3468-XX, where XX is the version number). Do not use the HSSI dual-port adapter in the Catalyst 5000, 5505, or 5509 switch if you are installing it on a Catalyst RSM/VIP2-15 or -40 module that is not the Revision 2. If you fail to comply with this restriction, your system will shut down due to an overload of the power supply.

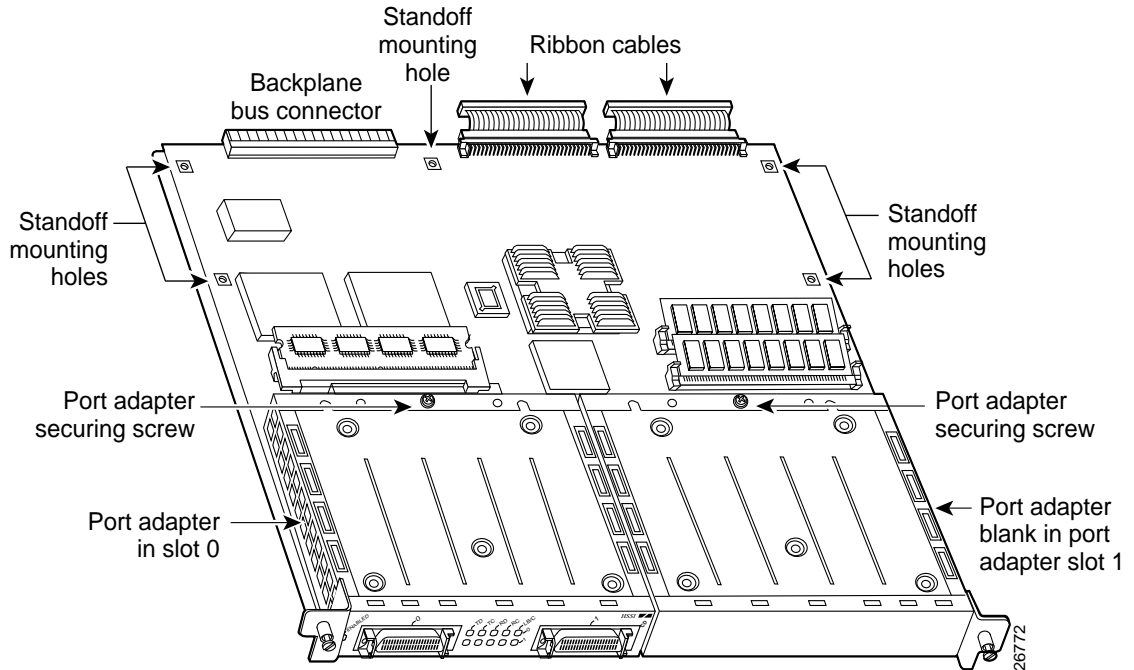


**Caution** You can only have two HSSI dual-port adapters per chassis when installed on a Catalyst RSM/VIP2-15 or -40 module Revision 1 and used in the Catalyst 5500 switch.

## Installation Overview

The HSSI port adapter can be installed in either port adapter slot 0 or port adapter slot 1 on the Catalyst RSM/VIP2. Figure 4-1 shows a Catalyst RSM/VIP2 with PA-2H installed in port adapter slot 0.

Figure 4-1 Catalyst RSM/VIP2-40 with PA-2H in Port Adapter Slot 0



**Note** Port adapters have a handle attached, but this handle is not shown to allow a full view of detail on each port adapter's faceplate.

Depending on the circumstances, you might need to install a new port adapter on a Catalyst RSM/VIP2 motherboard or replace a failed port adapter in the field. In either case, you will need the following items:

- Number 1 Phillips screwdriver
- Antistatic mat onto which you can place the removed interface processor
- Antistatic container into which you can place a failed port adapter for shipment back to the factory

**Note** Each port adapter circuit board is mounted to a metal carrier and is sensitive to ESD damage. Each port adapter has one Phillips-head screw that secures it to its port adapter slot. We strongly recommend that the following procedures be performed by a Cisco-certified service provider.

While the Catalyst RSM/VIP2 supports online insertion and removal, individual port adapters do not. To replace port adapters, you must first remove the Catalyst RSM/VIP2 from the chassis, then install or replace port adapters as required. If a blank port adapter is installed on the Catalyst RSM/VIP2 in which you want to install a new port adapter, you must first remove the Catalyst RSM/VIP2 from the chassis, then remove the blank port adapter.



**Caution** To prevent system problems, do not remove port adapters from the Catalyst RSM/VIP2 motherboard or attempt to install other port adapters on the Catalyst RSM/VIP2 motherboard, while the system is operating. To install or replace port adapters, first remove the Catalyst RSM/VIP2 from its interface processor slot.



**Caution** To prevent interface reconfiguration requirements, we strongly recommend that you replace a port adapter with the same type of port adapter you removed.

When only one port adapter is installed on a Catalyst RSM/VIP2, a blank port adapter must fill the empty slot to allow the Catalyst RSM/VIP2 and router chassis to conform to electromagnetic interference (EMI) emissions requirements, and so that air flows through the chassis properly. If you plan to install a new port adapter, you must first remove the blank port adapter.

## Removing a Port Adapter

Following is the standard procedure for removing a port adapter from a Catalyst RSM/VIP2:

**Step 1** Attach an ESD-preventive wrist strap between you and an unfinished chassis surface.



**Warning** During this procedure, wear grounding wrist straps to avoid ESD damage to the card. Do not directly touch the backplane with your hand or any metal tool, or you could shock yourself.

---

**Note** If you want to install a new port adapter on a Catalyst RSM/VIP2 with a single port adapter, you must first remove the blank port adapter from the port adapter slot in which you want to install the new port adapter.

---

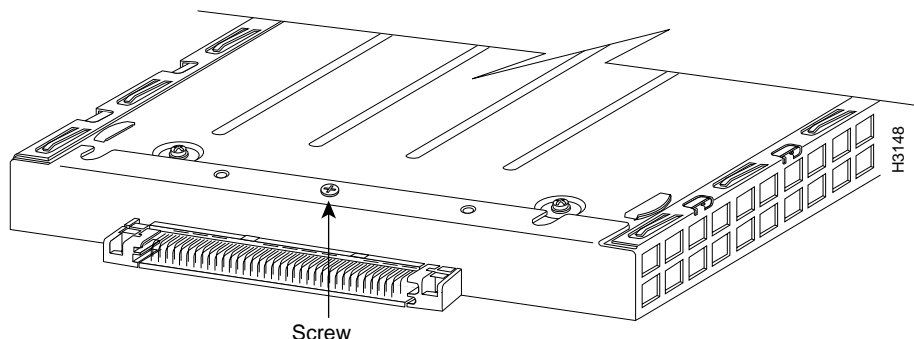
**Step 2** For a new port adapter installation or a port adapter replacement, disconnect any interface cables from the ports on the front of the port adapter (although this is not required). You can remove the Catalyst RSM/VIP2 with cables attached; however, we do not recommend it.

**Step 3** Remove the Catalyst RSM/VIP2 from the system. To do so, follow the steps in the *Route Switch Module Catalyst VIP2-15 and VIP2-40 Installation and Configuration Note* (Document Number 78-4780-01), which shipped with your Catalyst RSM/VIP2.

**Step 4** Place the removed Catalyst RSM/VIP2 on an antistatic mat.

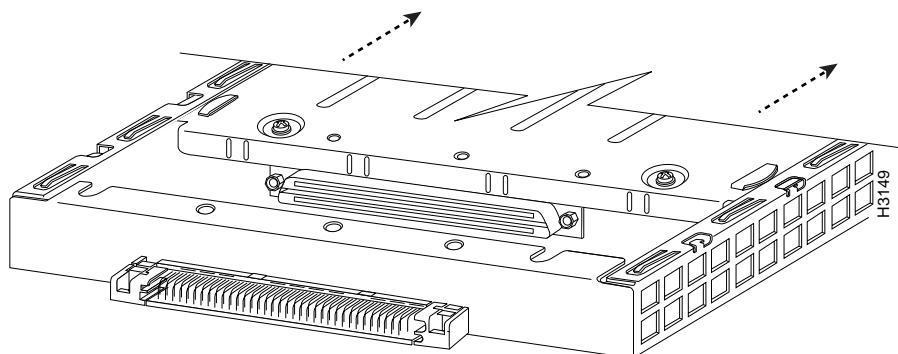
**Step 5** Locate the screw at the rear of the port adapter (or blank port adapter) to be replaced. (See Figure 4-2.) This screw secures the port adapter (or blank port adapter) to its slot.

**Figure 4-2 Location of Port Adapter Screw (Partial Port Adapter View)**



- Step 6** Remove the screw that secures the port adapter (or blank port adapter).
- Step 7** With the screw removed, grasp the handle on the front of the port adapter (or blank port adapter) and carefully pull it out of its slot, away from the edge connector at the rear of the slot. (See Figure 4-3.)

**Figure 4-3 Pulling a Port Adapter Out of a Slot (Partial Port Adapter View)**



- Step 8** If you removed a port adapter, place it in an antistatic container for safe storage or shipment back to the factory. If you removed a blank port adapter, no special handling is required; however, store the blank port adapter for potential future use.

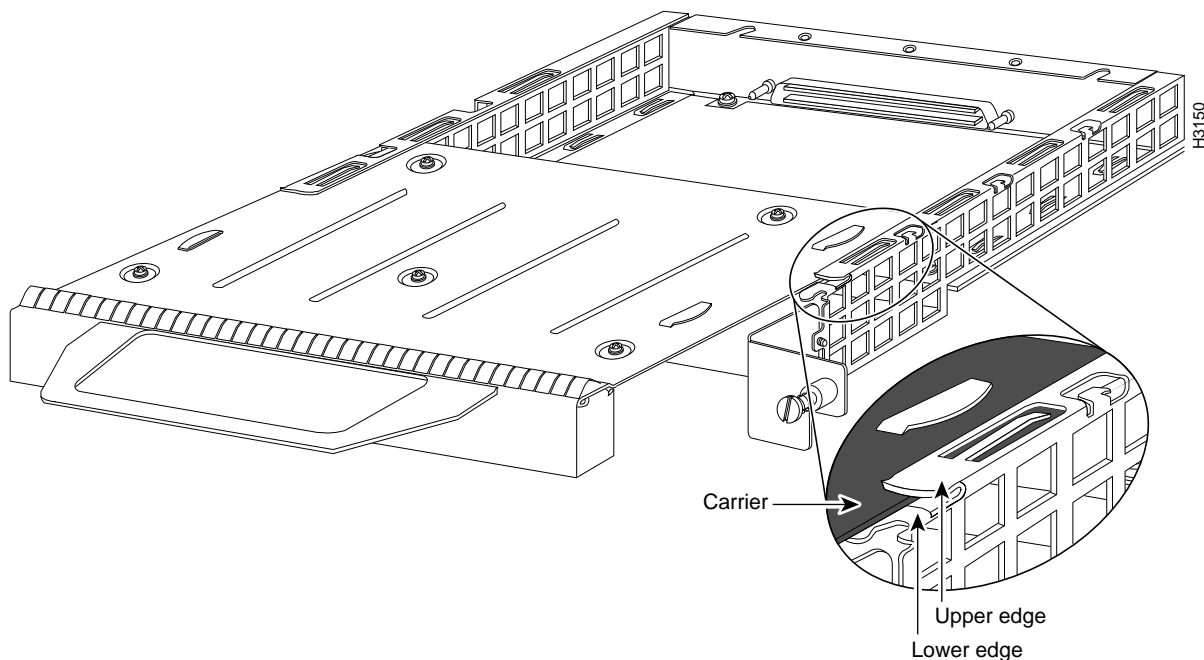
This completes the procedure for removing a port adapter from a Catalyst RSM/VIP2.

## Installing a Port Adapter

Following is the standard procedure for installing a port adapter on a Catalyst RSM/VIP2:

- Step 1** Remove the new port adapter from its antistatic container and position it at the opening of the slot. (See Figure 4-4.)
- Step 2** Carefully align the port adapter carrier between the upper and lower edges of the port adapter slot, as shown in Figure 4-4.

Figure 4-4 Installing a New Port Adapter



**Caution** To prevent jamming the carrier between the upper and lower edges of the port adapter slot, and to assure that the edge connector at the rear of the port adapter seats in the connector at the rear of the port adapter slot, make certain that the leading edges of the carrier are between the upper and lower slot edges, as shown in the cutaway in Figure 4-4.



**Caution** To ensure a positive ground attachment between the port adapter carrier and the Catalyst RSM/VIP2 motherboard and port adapter slot, and to ensure that the connectors at the rear of the port adapter and slot seat properly, the carrier must be between the upper and lower slot edges.

**Step 3** Carefully slide the new port adapter into the port adapter slot until the connector on the port adapter is completely seated in the connector on the motherboard.

**Step 4** Replace the screw in the rear of the port adapter slot. (See Figure 4-2 for its location.) Do not overtighten this screw.

**Step 5** Reinstall the Catalyst RSM/VIP2 in the system. To do so, follow the steps in the *Route Switch Module Catalyst VIP2-15 and VIP2-40 Installation and Configuration Note* (Document Number 78-4780-01), which shipped with your Catalyst RSM/VIP2.

**Step 6** If disconnected, reconnect the interface cables to the port adapters.

This completes the procedure for installing a new port adapter or replacing a port adapter on a Catalyst RSM/VIP2. To install the necessary cables and configure your HSSI port adapter, proceed to Chapter 7, “Cable Installation and Interface Configuration.”





# Cisco 7200 Series and the Dual-Port HSSI Port Adapter

This chapter provides information specific to the dual-port high-speed serial interface (HSSI) port adapter and its use with Cisco 7200 series routers, which includes the Cisco 7206 as a router shelf in a Cisco AS5800 Universal Access Server.

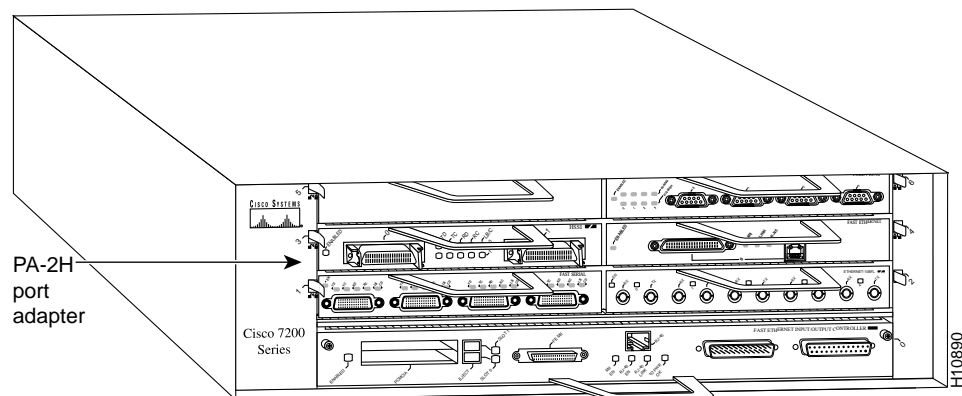
## Installation Overview

The HSSI port adapter can be installed in any of the available port adapter slots in Cisco 7200 series routers. Figure 5-1 shows an HSSI port adapter installed in port adapter slot 3 of a Cisco 7206.

**Note** The steps for installing and configuring a port adapter or service adapter in a Cisco 7200 series router and a Cisco 7206 router shelf are the same; therefore, the procedures in this section apply to the Cisco 7206 router shelf, unless noted otherwise.

For information about the Cisco 7206 as a router shelf in a Cisco AS5800 Universal Access Server, refer to the Cisco AS5800 Universal Access Server documentation listed in the section “If You Need More Information” section on page vii.

**Figure 5-1** Cisco 7206 with an HSSI Port Adapter in Port Adapter Slot 3



Depending on your circumstances, you might need to install a new port adapter in a Cisco 7200 series router or replace a failed port adapter in the field. In either case, no tools are necessary; all port adapters available for the Cisco 7200 series routers connect directly to the router midplane and are locked into position by a port adapter lever. When removing and replacing a port adapter, you will need an antistatic mat onto which you can place a removed port adapter and an antistatic container into which you can place a failed port adapter for shipment back to the factory.

---

**Note** The Cisco 7200 series routers support OIR; therefore, you do not have to power down your system when removing and replacing an HSSI port adapter.

---

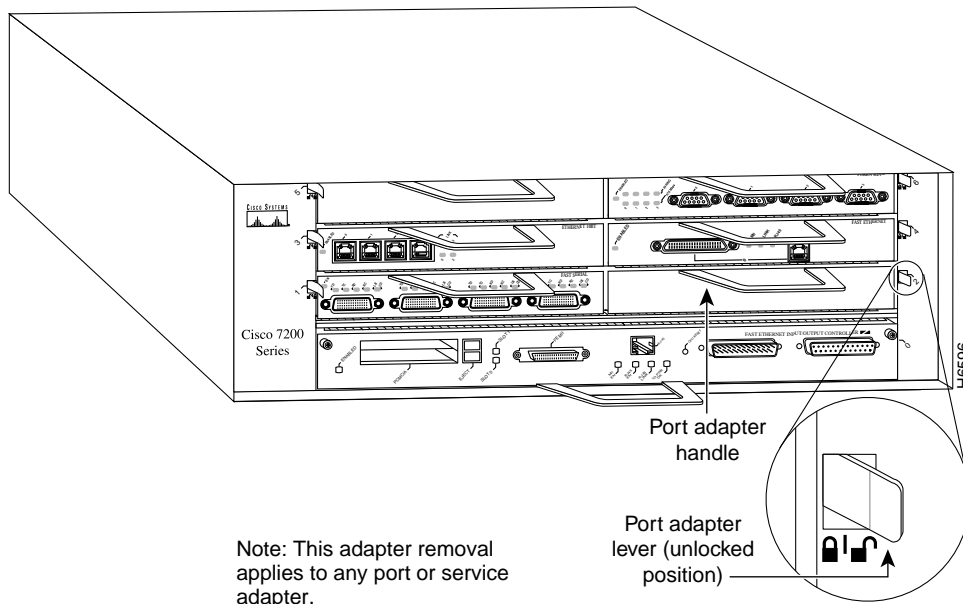
When a port adapter slot is not in use, a blank port adapter must fill the empty slot to allow the router to conform to EMI emissions requirements and to allow proper air flow across the port adapters. If you plan to install a new port adapter in a slot that is not in use, you must first remove a blank port adapter.

## Removing a Port Adapter

Use the following standard procedure to remove a port adapter from a Cisco 7200 series router:

- Step 1** Attach an ESD-preventive wrist strap between you and an unfinished chassis surface.
- Step 2** Place the port adapter lever for the desired port adapter slot in the unlocked position. The port adapter lever remains in the unlocked position. (See Figure 5-2.)

**Figure 5-2** Placing the Port Adapter Lever in the Unlocked Position (Cisco 7206 shown)



**Step 3** Grasp the handle on the port adapter and pull the port adapter from the midplane, about half way out of its slot. If you are removing a blank port adapter, pull the blank port adapter from the port adapter slot.

---

**Note** As you disengage the port adapter from the router midplane, OIR administratively shuts down all active interfaces on the port adapter.

---

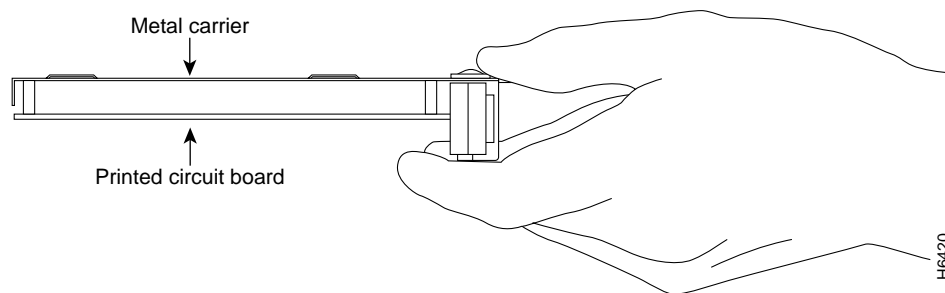
**Step 4** With the port adapter half way out of the slot, disconnect all cables from the port adapter.

**Step 5** After disconnecting the cables, pull the port adapter from its port adapter slot.



**Caution** Always handle the port adapter by the carrier edges and handle; never touch the port adapter's components or connector pins. (See Figure 5-3.)

**Figure 5-3 Handling a Port Adapter**



**Step 6** Place the port adapter on an antistatic surface with its components facing upward, or in a static shielding bag. If the port adapter will be returned to the factory, immediately place it in a static shielding bag.

This completes the procedure for removing a port adapter from a Cisco 7200 series router.

## Replacing a Port Adapter

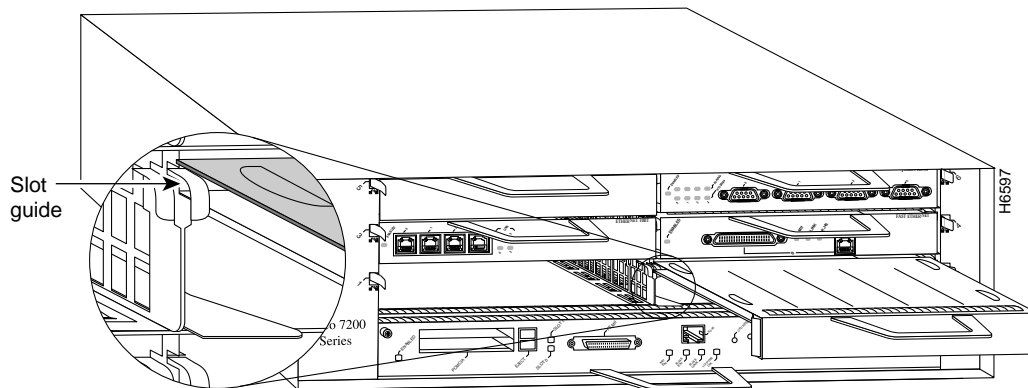
Use the following procedure to install a new port adapter in a Cisco 7200 series router:

**Step 1** Attach an ESD-preventive wrist strap between you and an unfinished chassis surface.

**Step 2** Use both hands to grasp the port adapter by its metal carrier edges and position the port adapter so that its components are downward. (See Figure 5-3).

**Step 3** Align the left and right edge of the port adapter metal carrier between the guides in the port adapter slot. (See Figure 5-4.)

**Figure 5-4** Aligning the Port Adapter Metal Carrier Between the Slot Guides (Cisco 7206 shown)



Note: This adapter alignment applies to any port or service adapter.

**Step 4** With the metal carrier aligned in the slot guides, gently slide the port adapter half way into the slot.



**Caution** Do not slide the port adapter all the way into the slot until you have connected all required cables. Trying to do so will disrupt normal operation of the router.

**Step 5** With the port adapter half way in the slot, connect all required cables to the port adapter.

**Step 6** After connecting the cables, carefully slide the port adapter all the way into the slot until you feel the port adapter's connectors seat in the midplane.

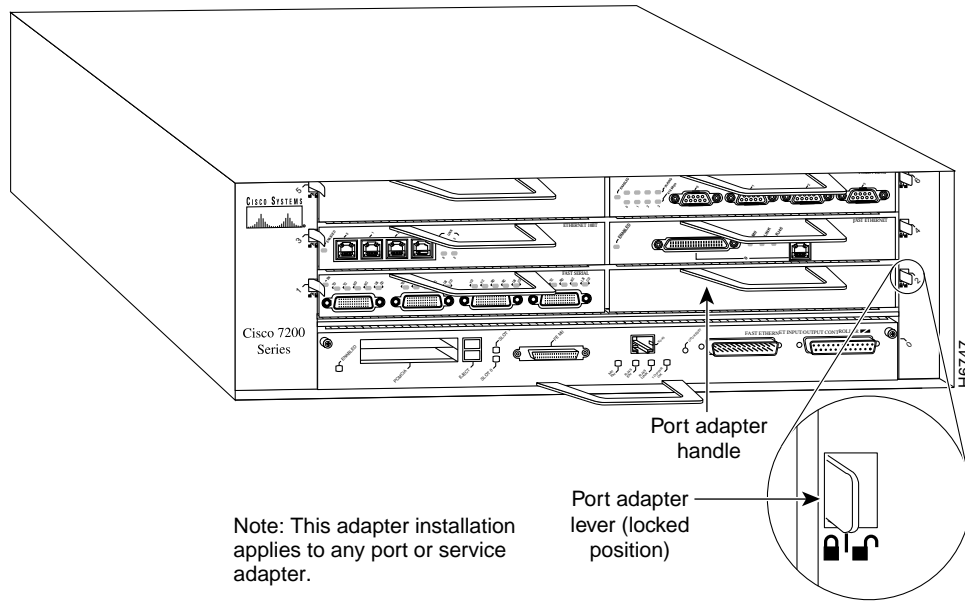
**Step 7** Move the port adapter lever to the locked position. Figure 5-5 shows the port adapter lever in the locked position.

---

**Note** If the port adapter lever does not move to the locked position, the port adapter is not completely seated in the midplane. Carefully pull the port adapter half way out of the slot, reinsert it, and move the port adapter lever to the locked position.

---

**Figure 5-5** Placing the Port Adapter Lever in the Locked Position (Cisco 7206 shown)



This completes the procedure for installing a new port adapter or replacing a port adapter in a Cisco 7200 series router. To install the necessary cables and configure your dual-port HSSI port adapter, proceed to Chapter 7, “Cable Installation and Interface Configuration.”



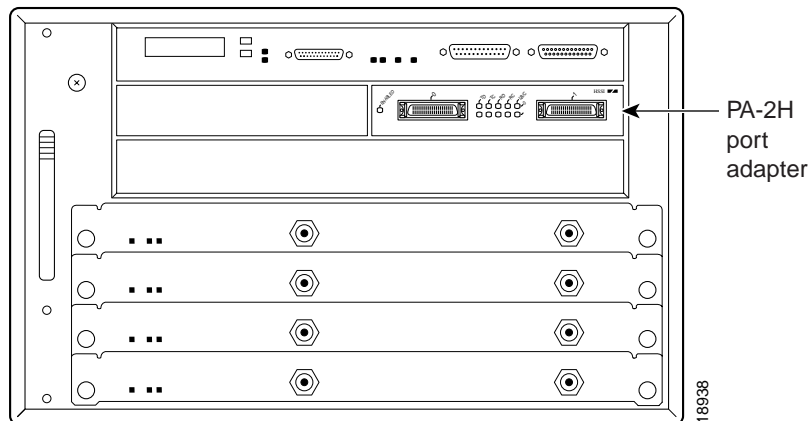
# Cisco uBR7200 Series and the Dual-Port HSSI Port Adapter

This chapter provides information on the PA-2H dual-port high-speed serial interface (HSSI) port adapter and its use on the Cisco uBR7200 series routers.

## Installation Overview

The HSSI port adapter is used in the Cisco uBR7200 series routers and can be installed in any of the available port adapter slots. Figure 6-1 shows an HSSI port adapter installed in port adapter slot 2 of a Cisco uBR7200 series router.

**Figure 6-1** Cisco uBR7200 Series with an HSSI Port Adapter in Port Adapter Slot 2 (Cisco uBR7246 Shown)



Depending on your circumstances, you might need to install a new port adapter in a Cisco uBR7200 series router or replace a failed port adapter in the field. In either case, no tools are necessary; all port adapters available for the Cisco uBR7200 series routers connect directly to the router midplane and are locked into position by a port adapter retention clip (Cisco uBR7246) or lever (Cisco uBR7223). When removing and replacing a port adapter, you will need an antistatic mat onto which you can place a removed port adapter and an antistatic container into which you can place a failed port adapter for shipment back to the factory.

**Note** The Cisco uBR7200 series routers support OIR; therefore, you do not have to power down the Cisco uBR7200 series router when removing and replacing an HSSI port adapter.

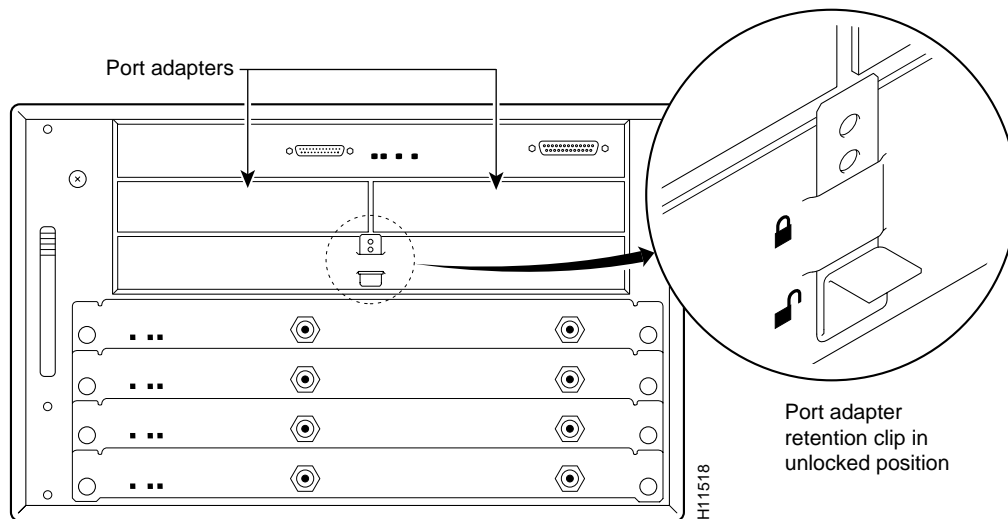
When a port adapter slot is not in use, a blank port adapter must fill the empty slot to allow the router to conform to EMI emissions requirements and to allow proper air flow across the port adapters. If you plan to install a new port adapter in a slot that is not in use, you must first remove a blank port adapter.

## Removing a Port Adapter

Following is the procedure for removing a port adapter from Cisco uBR7200 series routers:

- Step 1** Attach an ESD-preventative wrist strap between you and an unfinished chassis surface.
- Step 2** For the Cisco uBR7246, slide the port adapter retention clip down to the unlocked position. The retention clip remains in the unlocked position. (Refer to Figure 6-2.)

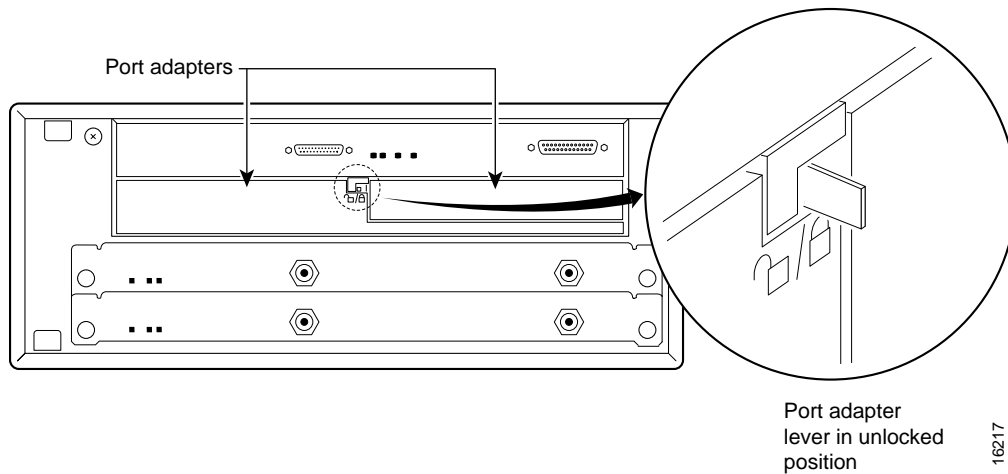
**Figure 6-2** Placing the Port Adapter Retention Clip in the Unlocked Position (Cisco uBR7246 Shown)



For the Cisco uBR7223, place the port adapter lever in the unlocked position. (Refer to Figure 6-3.)



**Figure 6-3** Placing the Port Adapter Lever in the Unlocked Position (Cisco uBR7223 Shown)



**Step 3** Grasp the handle on the port adapter and pull the port adapter from the midplane, about half way out of its slot. If you are removing a blank port adapter, pull the blank port adapter from the chassis slot.

---

**Note** As you disengage the port adapter from the router midplane, OIR administratively shuts down all active interfaces on the port adapter.

---

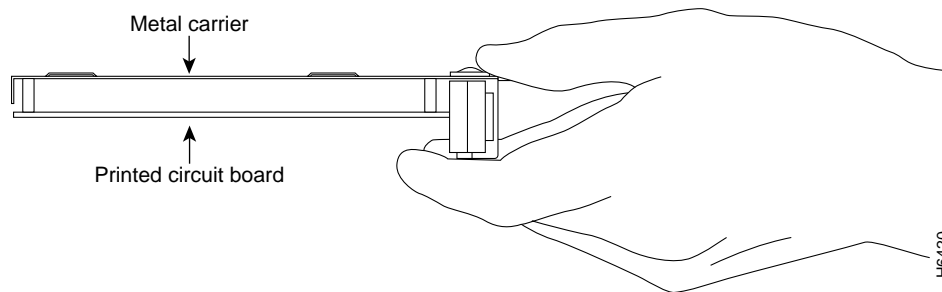
**Step 4** With the port adapter half way out of the slot, disconnect all cables from the port adapter.

**Step 5** After disconnecting the cables, pull the port adapter from its chassis slot.



**Caution** Always handle the port adapter by the carrier edges and handle; never touch the port adapter's components or connector pins. (Refer to Figure 6-4.)

**Figure 6-4** Handling a Port Adapter



**Step 6** Place the port adapter on an antistatic surface with its components facing upward, or in a static shielding bag. If the port adapter will be returned to the factory, immediately place it in a static shielding bag.

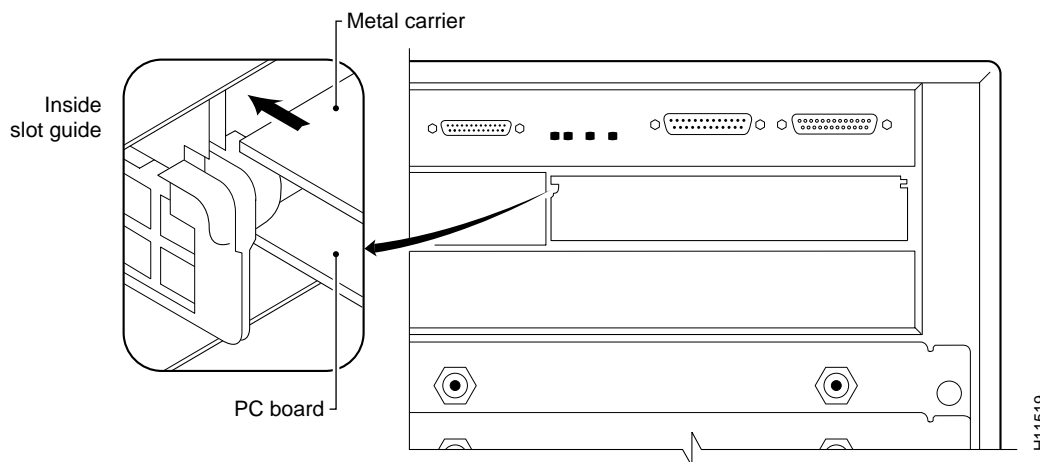
This completes the procedure for removing a port adapter from a Cisco uBR7200 series router.

## Replacing a Port Adapter

Following is the procedure for installing a new port adapter in a Cisco uBR7200 series router:

- Step 1** Attach an ESD-preventative wrist strap between you and an unfinished chassis surface.
- Step 2** Use both hands to grasp the port adapter by its metal carrier edges and position the port adapter so that its components are downward. (Refer to Figure 6-4.)
- Step 3** Align the left and right edge of the port adapter metal carrier between the guides in the port adapter slot. (Refer to Figure 6-5.)

**Figure 6-5** Aligning the Port Adapter Metal Carrier Between the Slot Guides



- Step 4** With the metal carrier aligned in the slot guides, gently slide the port adapter half way into the slot.



**Caution** Do not slide the port adapter all the way into the slot until you have connected all required cables. Trying to do so will disrupt normal operation of the router.

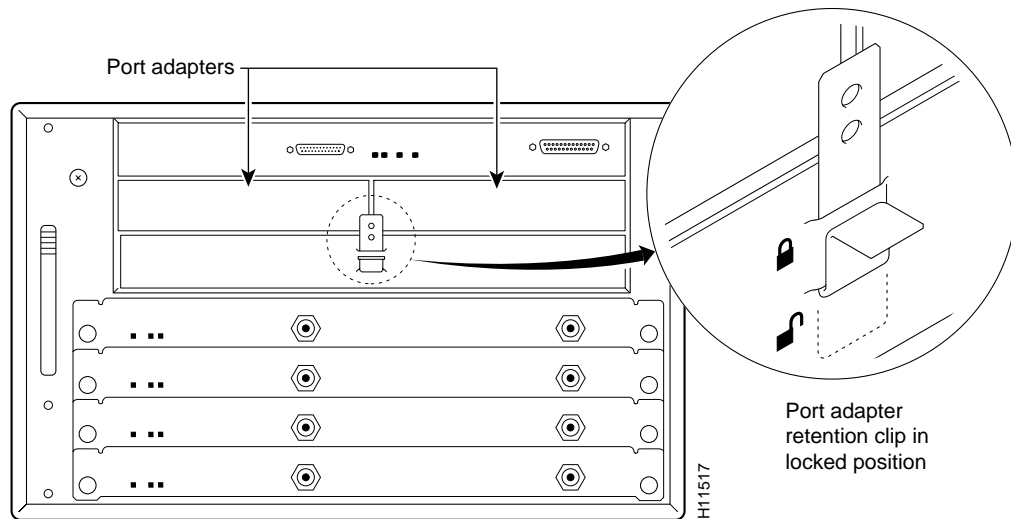
- Step 5** With the port adapter half way in the slot, connect all required cables to the port adapter.
- Step 6** After connecting the cables, carefully slide the port adapter all the way into the slot until you feel the port adapter’s connectors seat in the midplane.
- Step 7** For the Cisco uBR7246, after the two connectors mate, slide the port adapter retention clip up to the locked position. Figure 6-6 shows the retention clip in the locked position.

---

**Note** If the retention clip does not slide up to the locked position, the port adapter is not completely seated in the midplane. Slide the retention clip completely down to the unlocked position. Carefully pull the port adapter half way out of the slot, reinsert it, and slide the retention clip up to the locked position.

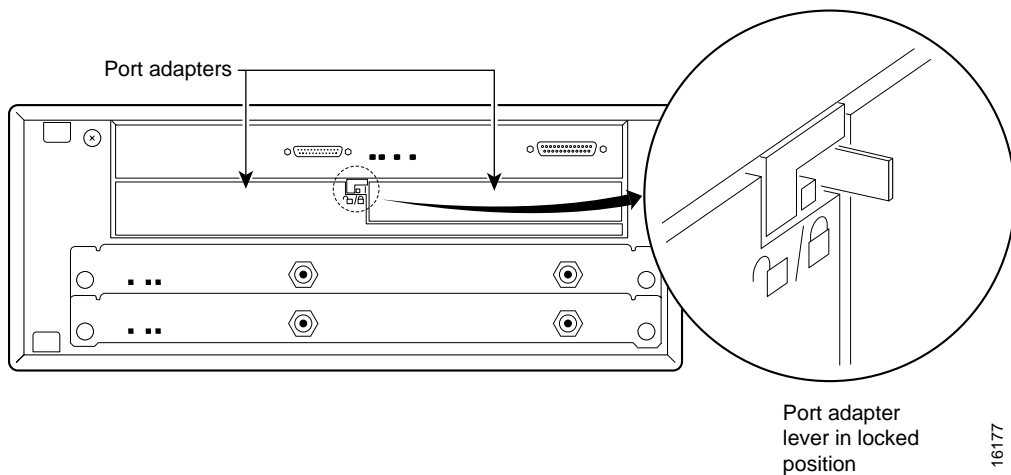
---

**Figure 6-6** Placing the Port Adapter Retention Clip in the Locked Position (Cisco uBR7246 Shown)



For a Cisco uBR7223, place the port adapter lever in the locked position. (Refer to Figure 6-7.)

**Figure 6-7** Placing the Port Adapter Lever in the Locked Position (Cisco uBR7223 Shown)



**Note** If the port adapter lever does not move to the locked position, the port adapter is not completely seated in the midplane. Carefully pull the port adapter halfway out of the slot, reinsert it, and move the port adapter lever to the locked position.

This completes the procedure for installing a new port adapter or replacing a port adapter in a Cisco uBR7200 series router. To install the necessary cables and configure your HSSI port adapter, proceed to “Chapter 7, “Cable Installation and Interface Configuration.”



# Cable Installation and Interface Configuration

---

To continue your dual-port high-speed serial interface (HSSI) port adapter installation, you must install the port adapter cables and configure the HSSI interfaces. The instructions that follow apply to all supported platforms. Minor differences between the platforms are noted.

## Attaching HSSI Port Adapter Interface Cables

On a single HSSI port adapter, you can use up to two HSSI connections (on PA-2H). HSSI cables are available only from Cisco Systems; they are not available from outside commercial cable vendors.



**Caution** Although the HSSI connector and the HSSI cable are similar to the SCSI-II format, they are not identical. The HSSI cable specification is more restrictive than that for the SCSI-II. If a SCSI-II cable is used instead of an HSSI cable, proper operation cannot be guaranteed.

Use the following procedure to connect HSSI cables to an HSSI port adapter:

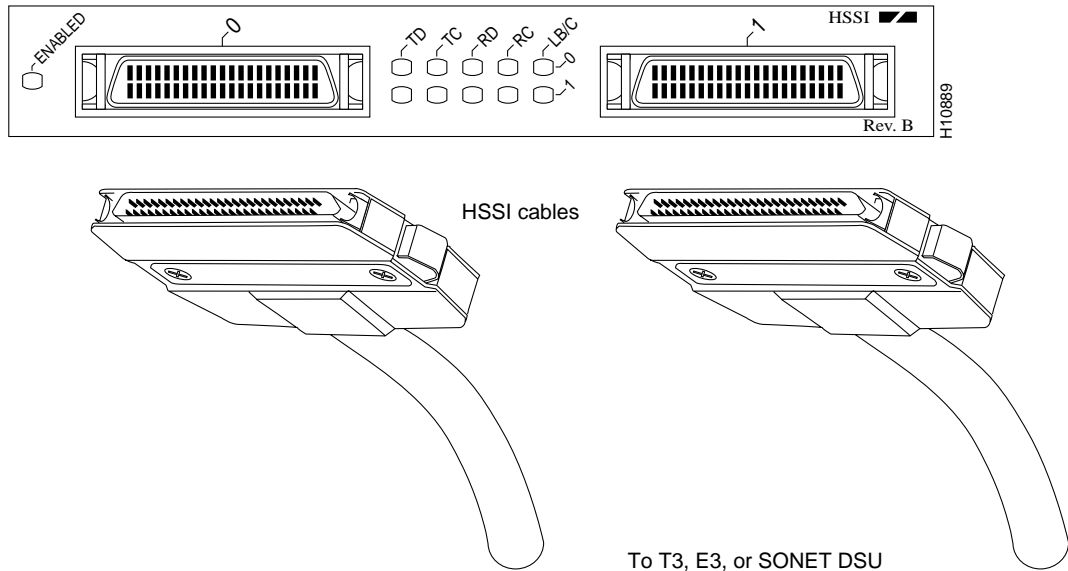
**Step 1** Attach the HSSI cable directly to each port on the HSSI port adapter. (See Figure 7-1.)

---

**Note** Port adapters have a handle attached, but this handle is not shown in Figure 7-1. The HSSI cable plug and HSSI port receptacle are keyed for proper connection. Use the HSSI cable strain relief slide locks whenever HSSI cables are connected to the receptacles on HSSI port adapters.

---

Figure 7-1 Connecting HSSI Cables (Front View—PA-2H Shown without Handle)



**Step 2** Attach the network end of your HSSI cables to your T3, E3, or SONET DSU, or other external HSSI equipment.

This completes the procedure for attaching HSSI cables to the HSSI port adapter. If you require a null modem cable for your HSSI connection, refer to the section “Attaching a Null Modem Cable,” which follows; otherwise, proceed to the “Configuring the HSSI Interfaces” section on page 7-3.

## Attaching a Null Modem Cable

This section describes the procedure for attaching null modem cables to HSSI port adapters.

The null modem cable can connect two routers directly back to back. The two routers must be in the same location, and can be two Cisco 7000 series routers, two Cisco 7500 series routers, two Cisco 7200 series routers, two Cisco uBR7200 series routers, or one of each. This setup allows you to verify the operation of the HSSI or to directly link the routers in order to build a larger node. The null modem cable uses the same 50-pin connectors as the HSSI cable, but uses the pinouts listed in Table 1-1 in the “HSSI Null Modem Cable” section on page 1-5.

To connect two routers, attach a null modem cable between an HSSI port on each router. Enable the internal transmit clock in both routers by entering the command **hssi internal-clock**. All router platforms use the same **hssi internal-clock** command to enable the internal transmit clock on the HSSI.

You define Cisco 7000 series and Cisco 7500 series interfaces by type and physical slot/port adapter/port locations. You define Cisco 7200 series and Cisco uBR7200 series interfaces by type and port adapter slot number/port locations. You define the Catalyst RSM/VIP2 in the Catalyst 5000 family switches by port adapter slot number/port location. (The output of the **show interfaces** command displays the logical unit number on all supported platforms and the physical slot/port adapter/port location in the Cisco 7000 series and Cisco 7500 series, or the port adapter slot number/port location in the Cisco 7200 series and Cisco uBR7200 series routers and the Catalyst RSM/VIP2.)

---

**Note** In the Cisco 7206 and Cisco 7206VXR router shelves, you define interfaces by type and physical shelf/port adapter/port locations. For information on Cisco 7206 and Cisco 7206VXR router shelf physical port addresses, refer to the “Identifying Chassis Slot, Port Adapter Slot, and HSSI Interface Port Numbers” section on page 7-4.

---

The following examples show the configuration steps required to prepare a Cisco 7000 series, Cisco 7200 series, Cisco 7500 series, and Cisco uBR7200 series routers and the Catalyst RSM/VIP2 for a null modem cable connection:

#### Example 1

```
Cisco7000/7200/uBR7246/7500Series# configure terminal
Enter configuration commands, one per line. End with CNTL/Z.
Cisco7000/7200/7500Series(config)#

Enter configuration commands...

Cisco7000/7500Series(config)# interface hssi 1/0/0
```

#### Example 2

```
Cisco7200Series/uBR7246(config)# interface hssi 1/0
Cisco7000/7200/7500Series(config-int)# hssi internal-clock
Cisco7000/7200/7500Series(config-int)# ^z
```

---

**Note** For the Cisco 7206 and Cisco 7206VXR router shelves, the interface specified in the Cisco 7200 series example above would include a shelf number. For example, the command **interface hssi 5/1/0** would specify the first HSSI of the port adapter in slot 1 of Cisco 7206 or Cisco 7206VXR router shelf 5.

---

Be sure to configure the HSSI port on both routers for an internal transmit clock. When the internal clock is enabled, the TC LED on the HSSI port adapter goes on. When the internal clock is enabled in both routers, the TC and RC LEDs on both of the connected HSSI ports go on.

When you disconnect the null modem cable, you must also disable the internal transmit clock with the command **no hssi internal-clock**. Use this command to turn off the transmit clock for each port on both routers.

This completes the procedure for attaching a null-modem cable to your HSSI port adapter. Proceed to the section “Configuring the HSSI Interfaces.”

## Configuring the HSSI Interfaces

If you installed a new HSSI port adapter or if you want to change the configuration of an existing interface, you must enter configuration mode using the **configure** command. If you replaced an HSSI port adapter that was previously configured, the system will recognize each new HSSI and bring it up in its existing configuration.

After you verify that the new HSSI port adapter is installed correctly (the enabled LED goes on), use the privileged-level **configure** command to configure the new interfaces. Be prepared with the information you will need, such as the following:

- Protocols you plan to route on each new interface
- Internet protocol (IP) addresses if you plan to configure the interfaces for IP routing

- Whether the new interfaces will use bridging

For a summary of the configuration options available, refer to the appropriate configuration publications listed in the “If You Need More Information” section on page vii.

The **configure** command requires privileged-level access to the EXEC command interpreter, which usually requires a password. Contact your system administrator if necessary to obtain EXEC-level access.

## Identifying Chassis Slot, Port Adapter Slot, and HSSI Interface Port Numbers

The following sections describes how to identify the chassis slot, port adapter slot, and HSSI port numbers for the Cisco 7200 series, Cisco uBR7200 series routers, the VIP2, and the Catalyst RSM/VIP2.

### Cisco 7200 Series and Cisco uBR7200 Series Ports

In a Cisco 7200 series (see Figure 7-2) or Cisco uBR7200 series router (see Figure 7-3) physical port addresses specify the actual physical location of each interface port on the router. This address is composed of a two-part number in the format *port adapter slot number/interface port number*, as follows:

- The first number identifies the port adapter slot in which the HSSI port adapter is installed.
- The second number identifies the interface ports on the HSSI port adapter; these are always numbered as interface 0 and 1 for PA-2H.

---

**Note** For the Cisco 7206 and Cisco 7206VXR router shelves, physical port addresses are composed of a three-part number in the format *shelf number/port adapter slot number/interface port number*, where the *shelf number* is a number assigned to the Cisco 7206 or Cisco 7206VXR router shelf during the initial configuration of the Cisco AS5800 Universal Access Server. A Cisco AS5800 Universal Access Server can consist of several shelves; therefore, each shelf is assigned a shelf number.

---

Interface ports maintain the same address regardless of whether other port adapters are installed or removed from the slot. However, when you move a port adapter to a different slot, the port adapter slot number in the address changes to reflect the new slot number.

For the Cisco 7206 (including a Cisco 7206 and Cisco 7206VXR as router shelves in a Cisco AS5800 Universal Access Server), the port adapter slot numbers start with 1 and continue through 6. For the Cisco uBR7200 series routers, the port adapter slots are numbered 1 and 2 for the Cisco uBR7246 and slot 1 for the Cisco uBR7223 (slot 0 is always reserved for the Fast Ethernet port on the I/O controller—if present). The individual interface port numbers are always 0. For example, the HSSI port on an HSSI port adapter in port adapter slot 2 would have the address 2/0. If the HSSI port adapter was in port adapter slot 1, this same interface port would be 1/0.

---

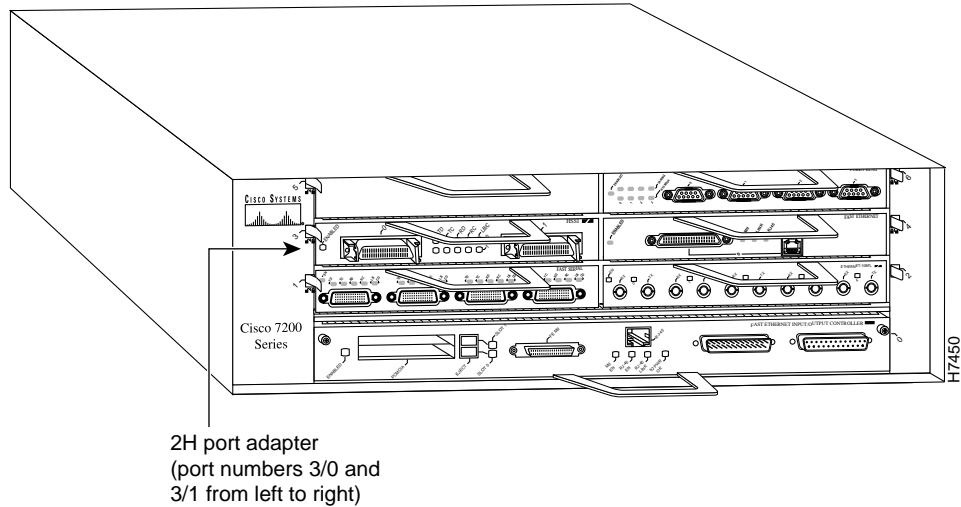
**Note** For the Cisco 7206 and Cisco 7206VXR router shelves, the HSSI port adapter in port adapter slot 2 would have the address  $x/2/0$ , where  $x$  is the number assigned to the router shelf during the initial configuration of the Cisco AS5800 Universal Access Server.

---

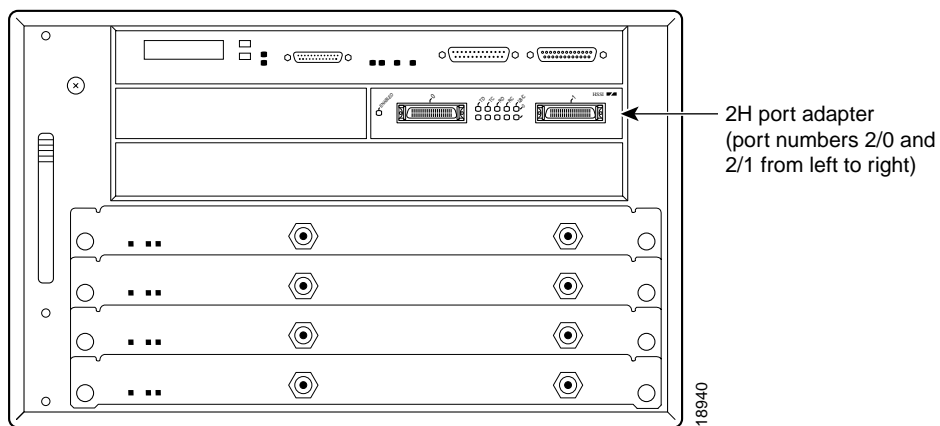


**Note** PA-2H is considered a high-bandwidth port adapter; therefore, there are specific configuration guidelines that you must observe. Refer to the publication *Cisco 7200 Series Port Adapter Hardware Configuration Guidelines*, which shipped with your Cisco 7200 series chassis (including a Cisco 7206 as a router shelf in a Cisco AS5800 Universal Access Server). This publication is also available on the Documentation CD-ROM.

**Figure 7-2 Cisco 7206 HSSI Port Number Example**



**Figure 7-3 Cisco uBR7200 Series HSSI Port Number Example**



You can identify interface ports by physically checking the slot/interface port location on the front of the router or by using **show** commands to display information about a specific interface or all interfaces in the router.

### VIP2 Ports

In the router, physical port addresses specify the actual physical location of each interface port on the router interface processor end. This address is composed of a three-part number in the format *interface processor slot/port-adapter/interface port*, as follows:

- The first number identifies the interface processor slot in which the VIP2 is installed.
- The second number identifies the physical port adapter slot on the VIP2, and is either 0 or 1.
- The third number identifies the interface port on the HSSI port adapter, which is always numbered as interface 0 for PA-2H.

---

**Note** Although the processor slots in the 7-slot Cisco 7000 and Cisco 7507 and 13-slot Cisco 7513 are vertically oriented and those in the 5-slot Cisco 7010 and Cisco 7505 are horizontally oriented, all models use the same method for slot and port numbering.

---

Interface ports on the VIP2 maintain the same address regardless of whether other interface processors are installed or removed. However, when you move a VIP2 to a different slot, the first number in the address changes to reflect the new interface processor slot number.

On the VIP2, the first port adapter slot number is always 0. The second port adapter slot number is always 1. The individual interface port numbers are always 0.

You can identify interface ports by physically checking the slot/port adapter/interface port location on the back of the router or by using **show** commands to display information about a specific interface or all interfaces in the router.

### Catalyst RSM/VIP2 Ports

In the Catalyst RSM/VIP2, the address is composed of a two-part number in the format *port-adapter/interface port*, as follows:

- The first number identifies the physical port adapter slot on the Catalyst RSM/VIP2, and is either 0 or 1.
- The second number identifies the interface port on the HSSI port adapter, which is always numbered as interface 0 for PA-2H.

Interface ports on the Catalyst RSM/VIP2 maintain the same address regardless of whether other interface processors are installed or removed.

On the Catalyst RSM/VIP2, the first port adapter slot number is always 0. The second port adapter slot number is always 1. The individual interface port numbers are always 0.

You can identify interface ports by physically checking the port adapter/interface port location or by using **show** commands to display information about a specific interface.

## Configuring Interfaces

The following steps describe a basic configuration. Press the **Return** key after each step unless otherwise noted. At any time you can exit the privileged level and return to the user level by entering **disable** at the prompt as follows:

```
Router# disable
Router>
```

Following is an example of a basic configuration procedure:

- Step 1** At the privileged-level prompt, enter configuration mode and specify that the console terminal will be the source of the configuration subcommands, as follows:

```
Router# configure terminal  
Enter configuration commands, one per line. End with CNTL/Z.  
Router(config)#
```

- Step 2** For the Cisco 7200 series and Cisco uBR7200 series routers, at the prompt specify the first interface to configure by entering the subcommand **interface**, followed by the *type (hssi) and slot/interface* (port adapter slot number and interface number). The example that follows is for the first interface of the port adapter in slot 2.

```
Router(config)# interface hssi 2/0
```

---

**Note** For the Cisco 7206 and Cisco 7206VXR router shelves, the interface specified in the above example would include a shelf number. For example, the command **interface hssi 5/2/0** would specify the first HSSI interface of the port adapter in slot 2 of Cisco 7206 or Cisco 7206VXR router shelf 5.

---

For the VIP2, at the prompt specify the first interface to configure by entering the subcommand **interface**, followed by the *type (hssi) and slot/port adapter/interface* (interface processor slot number). The example that follows is for the first interface of the first port adapter on a VIP2 in interface processor slot 1:

```
Router(config)# interface hssi 1/0/0
```

For the Catalyst RSM/VIP2, at the prompt specify the first interface to configure by entering the subcommand **interface**, followed by the *type (hssi) and port adapter/interface*. The example that follows is for the first interface of the first port adapter on a Catalyst RSM/VIP2:

```
Router(config)# interface hssi 0/0
```

- Step 3** If IP routing is enabled on the system, you can assign an IP address and subnet mask to the interface with the **ip address** configuration subcommand, as in the following example:

```
Router(config-int)# ip address 1.1.1.10 255.255.255.0
```

- Step 4** Add any additional configuration subcommands required to enable routing protocols and set the interface characteristics.

- Step 5** Change the shutdown state to up and enable the interface as follows:

```
Router(config-int)# no shutdown
```

- Step 6** Configure additional interfaces as required.

- Step 7** When you have included all of the configuration subcommands to complete the configuration, press **Ctrl-Z** to exit configuration mode.

- Step 8** Write the new configuration to nonvolatile memory as follows:

```
Router# copy running-config startup-config  
[OK]  
Router#
```

---

**Note** If you want to configure cyclic redundancy checks (CRCs) for your port adapter, proceed to the next section, “Configuring Cyclic Redundancy Checks.” Otherwise, proceed to the “Checking the Configuration” section on page 7-8.

---

## Configuring Cyclic Redundancy Checks

This section provides an example of how you can configure cyclic redundancy checks (CRCs) on the HSSI port adapter.

The HSSI port adapter uses a 16-bit CRC by default; it also supports a 32-bit CRC. CRC is an error-checking technique that uses a calculated numeric value to detect errors in transmitted data. The sender of a data frame divides the bits in the frame message by a predetermined number to calculate a remainder or *frame check sequence* (FCS). Before it sends the frame, the sender appends the FCS value to the message so that the frame contents are exactly divisible by the predetermined number. The receiver divides the frame contents by the same predetermined number that the sender used to calculate the FCS. If the result is not 0, the receiver assumes that a transmission error occurred.

To enable 32-bit CRC on an interface, enter configuration mode and specify the slot and port address of the HSSI, then enter the command **crc32**. Enter **Ctrl-Z** to exit from configuration mode.

In the example that follows, a single HSSI interface, on a VIP2 in interface processor slot 1, is configured for 32-bit CRC:

```
Router# configure terminal
Enter configuration commands, one per line. End with CNTL/Z.
Router(config)#
Router(config)# interface hssi 1/0/0
Router(config-int)# crc32
Ctrl-z
```

To disable CRC-32 and return to the default CRC-16 setting, specify the slot and port address and use the **no crc32** command.

---

**Note** When enabling a 32-bit CRC on an interface, ensure that the remote device is also configured for a 32-bit CRC. Both the sender and the receiver must use the same CRC setting.

---

To check the interface configuration using **show** commands, proceed to the section “Checking the Configuration.” (For additional configuration options and instructions for configuring the HSSI port adapter on the VIP2, refer to the appropriate configuration publications listed in the “If You Need More Information” section on page vii.)

## Checking the Configuration

After configuring the new interface, use the **show** commands to display the status of the new interface or all interfaces and the **ping** command to check connectivity.

## Using show Commands to Verify the New Interface Status

The following steps use **show** commands to verify that the new interfaces are configured and operating correctly:

- Step 1** Use the **show version** command to display the system hardware configuration. Ensure that the list includes the new interfaces.
- Step 2** For the Cisco 7200 series and Cisco uBR7200 series routers, display all the current port adapters and their interfaces with the **show controllers** command. Verify that the new HSSI port adapter appears in the correct slot.

For the VIP2, display all the current interface processors and their interfaces with the **show controllers cbus** command. Verify that the new VIP2 appears in the correct slot.

---

**Note** The slot values displayed by some commands (such as **show diag** and **show controllers cbus**) are not relevant to any physical connection; disregard these slot values for the Catalyst RSM/VIP2.

---

- Step 3** For the Cisco 7200 series and Cisco uBR7200 series routers, specify one of the new interfaces with the **show interfaces port adapter type slot/interface** command and verify that the first line of the display specifies the interface with the correct slot number. Also verify that the interface and line protocol are in the correct state: up or down.

---

**Note** For the Cisco 7206 and Cisco 7206VXR router shelves, the **show interfaces** command requires a shelf number in the format **show interfaces type shelf number/port adapter slot/interface**.

---

For the VIP2, specify one of the new interfaces with the **show interfaces type slot/port adapter/interface** command and verify that the first line of the display specifies the interface with the correct slot number. Also verify that the interface and line protocol are in the correct state: up or down.

For the Catalyst RSM/VIP2, specify one of the new interfaces with the **show interfaces port adapter/interface** command and verify that the first line of the display specifies the interface with the correct slot number. Also verify that the interface and line protocol are in the correct state: up or down.

- Step 4** Display the protocols configured for the entire system and specific interfaces with the **show protocols** command. If necessary, return to configuration mode to add or remove protocol routing on the system or specific interfaces.
- Step 5** Display the running configuration file with the **show running-config** command. Display the configuration stored in NVRAM using the **show startup-config** command. Verify that the configuration is accurate for the system and each interface.

If the interface is down and you configured it as up, or if the displays indicate that the hardware is not functioning properly, ensure that the network interface is properly connected and terminated. If you still have problems bringing the interface up, contact a service representative for assistance.

### Cisco 7200 Series and Cisco uBR7200 Series show Commands

Following is an example of how the **show interfaces** *[type slot/port]* command displays status information (including the physical slot and port address) for the interfaces you specify. The following example of the **show interfaces hssi type slot/port** command shows all of the information specific to the PA-2H HSSI port adapter in port adapter slot 2. (Interfaces are administratively shut down until you enable them.)

```
Router# show int h 2/0
Hssi2/0 is up, line protocol is up
Hardware is HSSI-B
Internet address is 2.8.1.2/24
MTU 4470 bytes, BW 45045 Kbit, DLY 200 usec, rely 252/255, load 1/255
Encapsulation HDLC, loopback not set, keepalive not set
Last input never, output never, output hang never
Last clearing of "show interface" counters never
Queueing strategy: fifo
Output queue 0/40, 0 drops; input queue 0/75, 0 drops
5 minute input rate 0 bits/sec, 0 packets/sec
5 minute output rate 0 bits/sec, 0 packets/sec
  0 packets input, 0 bytes, 0 no buffer
  Received 0 broadcasts, 0 runts, 0 giants
    0 parity
  1 input errors, 1 CRC, 0 frame, 1 overrun, 0 ignored, 0 abort
  1 packets output, 24 bytes, 0 underruns
  0 output errors, 0 applique, 1 interface resets
  0 output buffer failures, 0 output buffers swapped out
  0 carrier transitions      TM=down CA=up LC=down
```

---

**Note** For the Cisco 7206 and Cisco 7206VXR router shelves, the **show interfaces** command requires a shelf number in the format **show interfaces type shelf number/port adapter slot/interface**.

---

Following is an example of the **show controllers type slot/port** command that shows information about a specific PA-2H HSSI port adapter:

```
Router# show controllers hssi 2/0

(additional display text omitted from this example)

HSSI-B: show controller:
PAS unit 0, subunit 0, f/w version 2-42, rev ID 0x2800001, version 2
idb = 0x60BDE9B0, ds = 0x60BE0740, ssb=0x60BE090C
Clock mux=0x35, ucmd_ctrl=0x8, port_status=0x25
Serial config=0x8, line config=0x1B0202
maxdgram=4474, bufpool=128Kb, 256 particles
      TM=down CA=up LC=down

line state: up
HSSI DTE cable, received clockrate 51838976

base0 registers=0x3D800000, base1 registers=0x3D802000
mxt_ds=0x60C34D1C, rx ring entries=128, tx ring entries=256
rxring=0x4B05FCC0, rxr shadow=0x60BE0A2C, rx_head=1
txring=0x4B060140, txr shadow=0x60BE1054, tx_head=0, tx_tail=0, tx_count=0
throttled=0, enabled=0, disabled=0
rx_no_eop_err=0, rx_no_stp_err=0, rx_no_eop_stp_err=0
rx_no_buf=0, rx_soft_overrun_err=0
tx_underrun_err=0, tx_soft_underrun_err=0, tx_limited=0
tx_fullring=0, tx_started=50
```

Use the **show version** command to display the configuration of the system hardware (the number of each port adapter type installed), the software version, the names and sources of configuration files, and the boot images. Following is an example of the output from the **show version** command:

```
Router# show version

Cisco Internetwork Operating System Software
IOS (tm) 7200 Software (C7200-J-M), Version 11.1(12)CA1
Copyright (c) 1986-1996 by cisco Systems, Inc.
Compiled Fri 09-Aug-96 21:14 by biff
Image text-base: 0x60010890, data-base: 0x605F0000

ROM: System Bootstrap, Version 11.1(12)CA1, RELEASED SOFTWARE
ROM: 7200 Software (C7200-J-M), Version 11.1(12)CA1, RELEASED SOFTWARE

Router uptime is 23 hours
System restarted by reload
System image file is "biff/c7200-j-mz", booted via tftp from 1.1.1.254

cisco 7200 (R4700) processor with 22528K/10240K bytes of memory.
R4700 processor, Implementation 33, Revision 1.0 (Level 2 Cache)
Last reset from power-on
Bridging software.
SuperLAT software copyright 1990 by Meridian Technology Corp).
X.25 software, Version 2.0, NET2, BFE and GOSIP compliant.
TN3270 Emulation software (copyright 1994 by TGV Inc).

(additional display text omitted from this example)

1 HSSI network interfaces.
125K bytes of non-volatile configuration memory.

8192K bytes of Flash internal SIMM (Sector size 256K).
Configuration register is 0x0
```

Use the **show diag slot** command to determine which type of port adapter is installed in your system. Specific port adapter information is displayed, as shown in the following example of a PA-2H HSSI port adapter in port adapter slot 2:

```
Router# show diag 2
Slot 2:
  HSSI-B port adapter, 1 port
  Port adapter is analyzed
  Port adapter insertion time 2d13h ago
  Hardware revision 1.1          Board revision A0
  Serial number 4518292         Part number 73-1801-05
  Test history 0x0              RMA number 00-00-00
  EEPROM format version 1
  EEPROM contents (hex):
    0x20: 01 74 01 01 00 44 F1 94 49 07 09 05 00 00 00 00
    0x30: 50 00 00 00 97 04 21 00 FF FF FF FF FF FF FF FF
```

---

**Note** Port adapters used with the 7200 VXR routers require the correct base hardware revision in order to function. The following error message will occur on bootup if the incorrect hardware revision is used:

```
PA-3-REVNOTSUPPORTED:PA in slot 1 (Ethernet) requires base h/w revision of (1.14)
for this chassis
```

Use the **show diag** command to display the hardware revision.

---

---

**Note** For complete command descriptions and examples for the Cisco 7200 series routers and Cisco uBR7200 series routers, refer to the documentation resources listed in the “If You Need More Information” section on page vii.

---

Proceed to the “Using the ping Command” section on page 7-17 to verify that each interface port is functioning properly.

### VIP2 show Commands

Following is an example of how the **show interfaces** [*type slot/port-adapter/port*] command displays status information (including the physical slot and port address) for the interfaces you specify. In this example, the VIP2 is in interface processor slot 1, and the PA-2H HSSI port adapter is in port adapter slot 0. (Interfaces are administratively shut down until you enable them.)

```
Router# show interfaces h 1/0/0
Hss11/0/0 is up, line protocol is up
  Hardware is HSSI-B
    Internet address is 5.8.1.1/24
    MTU 4470 bytes, BW 45045 Kbit, DLY 200 usec, rely 255/255, load 1/255
    Encapsulation HDLC, loopback not set, keepalive not set
    Last input 2d22h, output 00:00:19, output hang never
    Last clearing of "show interface" counters 2d20h
    Queueing strategy: fifo
    Output queue 0/40, 0 drops; input queue 0/75, 0 drops
    5 minute input rate 0 bits/sec, 0 packets/sec
    5 minute output rate 0 bits/sec, 0 packets/sec
      0 packets input, 0 bytes, 0 no buffer
      Received 0 broadcasts, 0 runts, 0 giants, 0 parity
      0 input errors, 0 CRC, 0 frame, 0 overrun, 0 ignored, 0 abort
      4084 packets output, 1298712 bytes, 0 underruns
      0 output errors, 0 applique, 0 interface resets
      0 output buffer failures, 0 output buffers swapped out
      0 carrier transitions
```

Use the **show version** command to display the configuration of the system hardware (the number of each interface processor type installed), the software version, the names and sources of configuration files, and the boot images.

Following is an example of the **show version** command used with a Cisco 7000 series system with an RSP7000 processor:

```
Router# show version

Cisco Internetwork Operating System Software
IOS (tm) GS Software (RSP-JV-MZ), Version 11.1(12)CA1
Copyright (c) 1986-1995 by cisco Systems, Inc.
Compiled Fri 06-Oct-95 12:22 by mpo
Image text-base: 0x600088A0, data-base: 0x605A4000

ROM: System Bootstrap, Version 5.3(5)
ROM: GS Bootstrap Software (RSP-BOOT-M), Version 11.1(12), RELEASED SOFTWARE

Router uptime is 4 hours, 22 minutes
System restarted by reload
System image file is "slot0:rsp-jv-mz", booted via slot0

cisco RSP7000 (R4600) processor with 16384K bytes of memory.
R4600 processor, Implementation 32, Revision 2.0
Last reset from power-on
G.703/E1 software, Version 1.0.
```



Bridging software.  
 X.25 software, Version 2.0, NET2, BFE and GOSIP compliant.  
 Chassis Interface.

1 VIP2 controllers (2 HSSI).  
 2 HSSI network interfaces.  
 125K bytes of non-volatile configuration memory.

20480K bytes of Flash PCMCIA card at slot 0 (Sector size 128K).  
 8192K bytes of Flash internal SIMM (Sector size 256K).  
 Configuration register is 0x2

Use the **show diag slot** command to determine which type of port adapter is installed on a VIP2 in your system. Specific port adapter information is displayed, as shown in the following example. Two HSSI port adapters are in port adapter slots (bays) 0 and 1, on a VIP2 in interface processor slot 1:

```
Router# show diag 1
Slot 2:
HSSI-B port adapter, 1 port
Port adapter is analyzed
Port adapter insertion time 2d13h ago
Hardware revision 1.17          Board revision A0
Serial number 4518292          Part number 73-1801-05
Test history 0x0              RMA number 00-00-00
EEPROM format version 1
EEPROM contents (hex):
0x20:01 74 01 11 00 44 F1 94 49 07 09 05 00 00 00 00
0x30:50 00 00 00 97 04 21 00 FF FF FF FF FF FF FF FF

Slot database information:
Flags: 0x4          Insertion time: 0x14E8 (3d00h ago)

VIP Controller Memory Size: Unknown

PA Bay 0 Information:
HSSI-B PA, 1 ports
EEPROM format version 1
HW rev 1.1, Board revision A0
Serial number: 04551053 Part number: 73-1801-05

PA Bay 1 Information:
HSSI-B PA, 1 ports
EEPROM format version 1
HW rev 1.1, Board revision A0
Serial number: 04518147 Part number: 73-1801-05
```

Use the **show controllers cbus** command to display all the current interface processors and their interfaces. Following is an example of the **show controller cbus** command that shows the HSSI port 1/0/0 on a PA-2H HSSI port adapter installed on a VIP2 in interface processor slot 1:

```
Router# show controllers cbus

(additional displayed text omitted from this example)

slot1: VIP2, hw 2.3, sw 21.40, ccb 5800FF40, cmdq 48000090, vps 8192
  software loaded from system
  IOS (tm) VIP Software (SVIP-DW-M), Released Version 11.1(12)CA1 [biff 103]
  ROM Monitor version 17.0
  HSSI-B(1) HW Revision 0x2, FW Revision 2.42
  Hssi1/0/0, applique is Hssi DTE
    received clockrate 51838976
    gfreeq 48000160, lfreeq 48000200 (4480 bytes), throttled 0
    rxlo 4, rxhi 258, rxcurr 0, maxrxcurr 0
    txq 48001A80, txacc 48001A82 (value 129), txlimit 129

(additional displayed text omitted from this example)
```

---

**Note** For complete VIP2 command descriptions and examples, refer to the documentation resources listed in the “If You Need More Information” section on page vii.

---

Proceed to the section “Using the ping Command” to verify that each interface port is functioning properly.

### Catalyst RSM/VIP2 show Commands



**Caution** If you are using the HSSI dual-port adapter in the Catalyst 5000, 5500, 5505, or 5509 switch, you must install the port adapter on the Catalyst RSM/VIP2-15 or -40 Revision 2 (board part number 73-3468-XX, where XX is the version number). Do not use the HSSI dual-port adapter in the Catalyst 5000, 5505, or 5509 switch if you are installing it on a Catalyst RSM/VIP2-15 or -40 module that is not the Revision 2. If you fail to comply with this restriction, your system will shut down due to an overload of the power supply.



**Caution** You can only have two HSSI dual-port adapters per chassis when installed on a Catalyst RSM/VIP2-15 or -40 module Revision 1 and used in the Catalyst 5500 switch.

Following is an example of how the **show interfaces** [*port-adapter/port*] command displays status information (including the physical slot and port address) for the interfaces you specify. In this example, the PA-2H HSSI port adapter is in slot 0. (Interfaces are administratively shut down until you enable them.)

```
Router# show interfaces h 0/0
Hssi0/0 is up, line protocol is up
Hardware is HSSI-B
Internet address is 5.8.1.1/24
MTU 4470 bytes, BW 45045 Kbit, DLY 200 usec, rely 255/255, load 1/255
Encapsulation HDLC, loopback not set, keepalive not set
Last input 2d22h, output 00:00:19, output hang never
Last clearing of "show interface" counters 2d20h
Queueing strategy: fifo
Output queue 0/40, 0 drops; input queue 0/75, 0 drops
5 minute input rate 0 bits/sec, 0 packets/sec
5 minute output rate 0 bits/sec, 0 packets/sec
  0 packets input, 0 bytes, 0 no buffer
    Received 0 broadcasts, 0 runts, 0 giants, 0 parity
    0 input errors, 0 CRC, 0 frame, 0 overrun, 0 ignored, 0 abort
  4084 packets output, 1298712 bytes, 0 underruns
    0 output errors, 0 applique, 0 interface resets
    0 output buffer failures, 0 output buffers swapped out
    0 carrier transitions
```

Use the **show version** command to display the configuration of the system hardware (the number of each interface processor type installed), the software version, the names and sources of configuration files, and the boot images.

Following is an example of the **show version** command :

```
Router# show version

Cisco Internetwork Operating System Software
IOS (tm) GS Software (C5RSM-JV-MZ), Version 11.1(12)CA1
Copyright (c) 1986-1995 by cisco Systems, Inc.
Compiled Fri 06-Oct-95 12:22 by mpo
Image text-base: 0x600088A0, data-base: 0x605A4000

ROM: System Bootstrap, Version 5.3(5)
ROM: GS Bootstrap Software (RSP-BOOT-M), Version 11.1(12), RELEASED SOFTWARE

Router uptime is 4 hours, 22 minutes
System restarted by reload
System image file is "slot0:c5rsm-jv-mz", booted via slot0

cisco RSP2 (R4700) processor with 16384K bytes of memory.
R4600 processor, Implementation 32, Revision 2.0
Last reset from power-on
G.703/E1 software, Version 1.0.
Bridging software.
X.25 software, Version 2.0, NET2, BFE and GOSIP compliant.
Chassis Interface.

1 VIP2 controllers (2 HSSI).
2 HSSI network interfaces.
125K bytes of non-volatile configuration memory.

20480K bytes of Flash PCMCIA card at slot 0 (Sector size 128K).
8192K bytes of Flash internal SIMM (Sector size 256K).
Configuration register is 0x2
```

Use the **show diag** command to determine which type of port adapter is installed on a Catalyst RSM/VIP2 in your system. Specific port adapter information is displayed, as shown in the following example of a HSSI port adapter in slot (bay) 0:

```
Router# show diag 0
Slot 0:
HSSI-B port adapter, 1 port
Port adapter is analyzed
Port adapter insertion time 2d13h ago
Hardware revision 1.17          Board revision A0
Serial number 4518292          Part number 73-1801-05
Test history 0x0              RMA number 00-00-00
EEPROM format version 1
EEPROM contents (hex):
0x20:01 74 01 11 00 44 F1 94 49 07 09 05 00 00 00 00
0x30:50 00 00 00 97 04 21 00 FF FF FF FF FF FF FF FF

Slot database information:
Flags: 0x4          Insertion time: 0x14E8 (3d00h ago)

VIP Controller Memory Size: Unknown

PA Bay 0 Information:
HSSI-B PA, 1 ports
EEPROM format version 1
HW rev 1.1, Board revision A0
Serial number: 04551053 Part number: 73-1801-05
```

Use the **show controllers cbus** command to display all the current interface processors and their interfaces. Following is an example of the **show controller cbus** command that shows the HSSI port 0/0 on a PA-2H HSSI port adapter installed in slot 0:

```
Router# show controllers cbus

(additional displayed text omitted from this example)

slot0: VIP2, hw 2.3, sw 21.40, ccb 5800FF40, cmdq 48000090, vps 8192
software loaded from system
IOS (tm) VIP Software (SVIP-DW-M), Released Version 11.1(12)CA1 [biff 103]
ROM Monitor version 17.0
HSSI-B(1) HW Revision 0x2, FW Revision 2.42
Hssi1/0/0, applique is Hssi DTE
received clockrate 51838976
gfreeq 48000160, lfreeq 48000200 (4480 bytes), throttled 0
rxlo 4, rxhi 258, rxcurr 0, maxrxcurr 0
txq 48001A80, txacc 48001A82 (value 129), txlimit 129

(additional displayed text omitted from this example)
```

---

**Note** The slot values displayed by some commands (such as **show diag** and **show controllers cbus**) are not relevant to any physical connection; disregard these slot values for the Catalyst RSM/VIP2.

---

---

**Note** For complete Catalyst RSM/VIP2 command descriptions and examples, refer to the documentation resources listed in the “If You Need More Information” section on page vii.

---

Proceed to the section “Using the ping Command” to verify that each interface port is functioning properly.

## Using the ping Command

The **ping** command allows you to verify that an interface port is functioning properly and to check the path between a specific port and connected devices at various locations on the network. This section provides brief descriptions of the **ping** command. After you verify that the system has booted successfully and is operational, you can use this command to verify the status of interface ports. Refer to the documentation resources listed in the “If You Need More Information” section on page vii for detailed command descriptions and examples.

The **ping** command sends echo request packets out to a remote device at an IP address that you specify. After sending an echo request, the command waits a specified time for the remote device to reply. Each echo reply is displayed as an exclamation point (!) on the console terminal; each request that is not returned before the specified timeout is displayed as a period (.). A series of exclamation points (!!!!!) indicates a good connection; a series of periods (.....) or the messages [timed out] or [failed] indicate that the connection failed.

Following is an example of a successful **ping** command to a remote server with the address 1.1.1.10:

```
Router# ping 1.1.1.10
Type escape sequence to abort.
Sending 5, 100-byte ICMP Echoes to 1.1.1.10, timeout is 2 seconds:
!!!!!
Success rate is 100 percent (5/5), round-trip min/avg/max = 1/15/64 ms
Router#
```

If the connection fails, verify that you have the correct IP address for the destination and that the device is active (powered on), and repeat the **ping** command.

This completes the PA-2H HSSI port adapter interface installation and configuration.

