



For Powering

Distributed

Audio Systems



TWO CHANNEL AMPLIFIER

A45-X2

A45-X2

TWO CHANNEL AMPLIFIER

TABLE OF CONTENTS

Features	1
Product Overview	2
Package Contents	4
Preparing for Installation	4
Installation	5
Troubleshooting	6
Specifications	6
Warranty	7

FEATURES

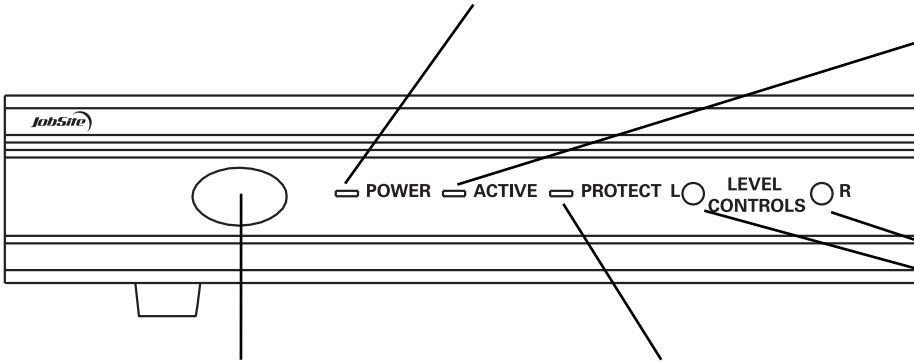
- Stereo amplifier with 45 watts per channel
- Multiple turn-on modes
- Stable into low impedance loads (2.66 ohms)

Installation friendly design

- 12V DC control output
- Individual input gain controls for each channel
- 3V - 30V AC/DC voltage-trigger
- Cascading outputs
- Automatic protection circuit with front panel indicator
- 5-way Gold plated binding posts for all speaker outputs
- Gold plated RCA jacks

PRODUCT OVERVIEW

Red "Power" LED confirms the amplifier is connected to a live AC power outlet. (and that the master power switch is on).

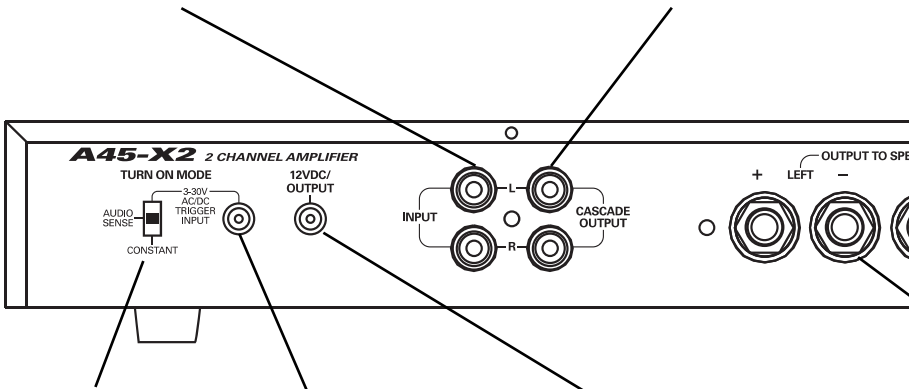


Front panel "Master Power" switch turns off the entire amplifier, including the Turn-On circuitry. NOTE: Equipment is not completely disconnected from main power source when switch is in the "off" position.

The red "Protect" LED indicates the amp has shut down because there is a fault in a speaker, the wiring, or with the A45-X2 itself.

Main Inputs enable you to route a stereo line level source to the A45-X2.

Cascade Outputs of the main input enable you to daisy chain multiple amplifiers.

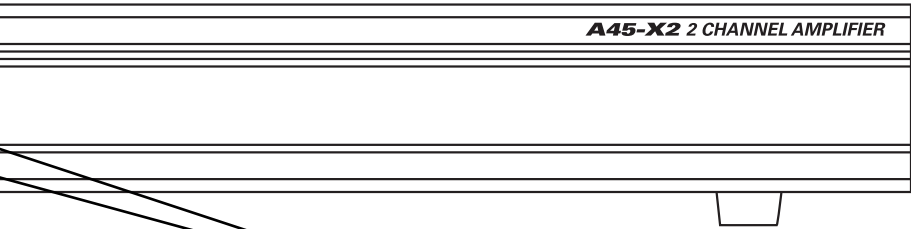


"Turn-On Mode" switch

3.5mm Mini Plug socket for voltage input.

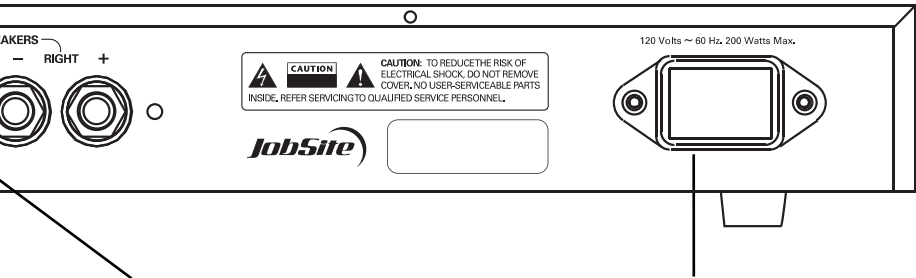
3.5mm Mini Plug socket for 12v DC Control output.

Green "Active" LED lights when the amplifier circuitry has been turned on by the Turn-On circuits.



Level Adjustment screws enable you to preset the maximum system volume (or match levels with another amplifier).

NOTE: AC receptacle must be easily accessible.



Binding posts for speaker connections.

IEC receptacle for AC power cord.

Figure 1

PACKAGE CONTENTS

- A45-X2 x 1
- Removable AC power cord x 1

PREPARING FOR INSTALLATION

Placement

Place the A45-X2 on a flat level surface like a table or shelf. It should be placed upright so that its weight rests on the four attached feet. Placing the weight of the amplifier on the rear or front panel may result in damage to the amplifier's connectors and controls.

The A45-X2, like any hi-fi component, will last much longer if it is given adequate ventilation for proper cooling. When installing the A45-X2 in a cabinet, be sure that the rear of the cabinet is open to fresh air to provide proper cooling. See **Figure 2**. If the cabinet's design will not

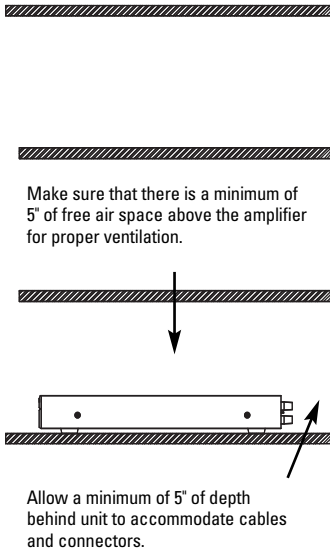


Figure 2

accommodate an open rear, install two small "boxer fans" to provide continuous airflow into and out of the cabinet. See **Figure 3**. Place the A45-X2 so that there is at least 5" of free air space above the chassis. If the amplifier is located on a carpeted surface, place a board under the amplifier's feet. Do not block the ventilation holes on the top and bottom of the A45-X2.

If the cabinet rear is not open to fresh air, install two small "boxer fans" (55cfm fan) to provide continuous air flow into and out of the cabinet.

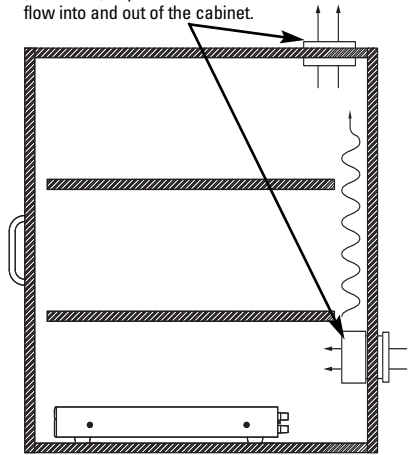
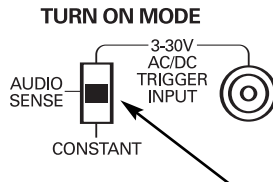


Figure 3

TURN-ON MODES

The Turn-On Mode selector switch gives you three options for turning the A45-X2 on and off.



Slide the switch with your fingernail or a 1/8" slotted screwdriver blade.

Constant: The auto turn-on circuitry is off. The front panel master power switch operates the amplifier. In is “On”, out is “Off”.

Audio Sense: The master switch on the front panel must be in the “On” position. The amplifier is off when there is no audio signal present at either the left or the right input, but the sensing circuitry is on. The turn-on sensing circuitry looks for a tiny amount of audio signal present at any of the audio inputs. If it detects a signal, the amplifier is turned on. Once the audio signal stops, the sensing circuit waits three minutes, and then turns the amplifier off.

3-30 Volt AC/DC Trigger Input: The master switch on the front panel must be in the “On” position. The amplifier is off when there is no 3-30V AC or DC voltage detected at the trigger input. Once the sensing circuitry detects a voltage and a line-level audio signal is detected at the input, the amplifier is turned on. Once the voltage stops, the sensing circuit instantly turns the amplifier off. Voltage trigger can be supplied by connecting a 12Volt AC wall adapter to the switched outlet of your stereo receiver. **DO NOT USE A DC WALL ADAPTER.** The long discharge time of the DC adapter’s filter capacitor will delay the turn-off of the amplifier.

TOOLS REQUIRED

- 1/8" Slotted screwdriver
- Wire stripper
- Wire labels

INSTALLATION

1. Select an appropriate location for the A45-X2
2. Run all the necessary wiring to the A45-X2. Label the wires for future reference.

3. Strip 1/4" of insulation from the end of each speaker wire. Tightly twist the end of each wire until no frayed ends remain.
4. Unscrew the Red and Black speaker wire connectors.
5. Insert each wire into the appropriate hole and tighten the connector until the wire is securely clamped.
6. Connect the Pre-Amplifier or Receiver to the RCA connector terminal labeled: INPUT.
7. Set the position of the Turn On Mode switch. Connect 12 Volt trigger if applicable.
8. Connect the AC power cord to the A45-X2, and then plug it into an “Un-switched” AC outlet.
9. Turn the Master Power switch on. The switch is located on the front panel of amplifier.

Control Output

This terminal provides a 12Volt DC signal suitable for triggering automated switchers, motorized screens, some electric curtain controls, etc. The trigger voltage is present only when the amplifier is active or “On”. When the amplifier turns “Off”, the 12-Volt signal is off.

Cascade Audio Outputs

The “Cascade Audio Outputs” enable you to connect another amplifier to your preamplifier output. The connectors are gold-plated RCA phono jacks. Connect them to another amplifier’s inputs with a standard audio patch cable. The outputs are not buffered; if you wish to daisy chain more than 3 JobSite amplifiers you will need a buffered distribution amplifier.

Level Adjustment Screws

The front panel level adjustment screws allow you to adjust the level of the A45-X2, relative to other amplifiers in your system. Use a 1/8" slotted screwdriver to adjust the screws. If the A45-X2 is the only amplifier in your system, leave the screws at their factory default position (turned fully clockwise).

TROUBLESHOOTING

No sound on one channel

You could have a short circuit or loose wire at the speaker or amplifier terminals. Check that the connections are secure and that there are no loose strands of wire crossing from the positive to the negative terminals at the back of the amplifier and/or the speaker.

Short circuit or a break in the speaker wire. Disconnect the speaker wire at both ends, separate the 2 conductors at both ends and test with a meter for a short circuit. If there is no short, connect the two conductors at one end and test with a meter for continuity.

Speaker is not working

Connect the speaker to a channel that plays another speaker.

Audio cable to input is bad

Connect another cable that is known to be good.

No sound on both channels

Audio cable to the main inputs is bad. Connect another cable that is known to be good.

Active LED ON or OFF

Check trigger mode 12V trigger voltage.

Hum from the speakers

Hum may be caused by a ground loop between two of the other components in the system. To test for a ground loop, try reversing the ac plugs of each of the components in the system. Check for faulty cables, faulty source material, an ungrounded phono system or a defective component.

Amp will not turn on

AC power cord must be plugged into a working outlet.

Master power switch must be on. 12V trigger must be present.

Bass sound is weak and the stereo image is "phasey" or "blurry" sounding in one room

The loudspeakers are wired out of phase. Reverse the connections at the back of one speaker.

SPECIFICATIONS

Power handling:

45 watts x 2

Frequency response:

10 Hz to 100 kHz +/- 3dB

Signal noise ratio:

>= 85dB

Power supply

AC120V, 60 Hz

Power consumption

200 watts

Dimensions:

17" wide x 2-5/16" high (including feet)
x 13-1/8" deep

Warranty: 2 year limited

LIMITED WARRANTY

JobSite Systems ("JOBSITE"), a Niles Audio Corporation company, warrants its passive products (those not requiring AC or battery power) to the original purchaser to be free of manufacturing defects in material and workmanship for a period of ten years from date of purchase.

JOBSITE warrants its passive loudspeaker products (those not requiring AC or battery power) to the original purchaser to be free of manufacturing defects in material and workmanship for a period of five years from date of purchase.

JOBSITE warrants its indoor/outdoor loudspeaker products to the original purchaser to be free of manufacturing defects in material and workmanship for a period of two years from date of purchase.

JOBSITE warrants its all weather rock loudspeaker products to the original purchaser to be free of manufacturing defects in material and workmanship for a period of five years from date of purchase.

JOBSITE warrants its active products (those requiring AC or battery power) to the original purchaser to be free of manufacturing defects in material and workmanship for a period of two years from date of purchase.

This Warranty is subject to the following additional conditions and limitations. The Warranty is void and inapplicable if JOBSITE deems that the product has been used or handled other than in accordance with the instructions provided by the manufacturer, including, but not limited to, damage caused by accident, mishandling, improper installation, abuse, negligence, or normal wear and tear, or any defect caused by repair to the product other than by JOBSITE or an authorized JOBSITE wholesale distributor.

To obtain warranty service, you must write to JOBSITE: Include your name, address, telephone number, model number and serial number of your unit, and a brief description of the problem.

A factory Return Authorization Number will be sent to you. DO NOT RETURN ANY UNIT WITHOUT FIRST RECEIVING WRITTEN AUTHORIZATION AND SHIPPING INSTRUCTIONS FROM JOBSITE.

If the above conditions are met, the purchaser's sole remedy shall be to return the product to JOBSITE, in which case JOBSITE will repair or replace, at its sole option, the defective product without charge for parts or labor. JOBSITE will return the unit repaired or replaced under warranty by shipping it by its usual shipping method from the factory (only) at its expense within the United States of America. THERE ARE NO OTHER WARRANTIES, INCLUDING, WITHOUT LIMITATION, EITHER EXPRESS OR IMPLIED WARRANTIES OF MERCHANTABILITY OR FITNESS FOR A PARTICULAR PURPOSE, WITH RESPECT TO THE PRODUCT.

REPAIR OR REPLACEMENT AS PROVIDED UNDER THIS WARRANTY IS THE EXCLUSIVE REMEDY OF THE CONSUMER/PURCHASER. NILES SHALL NOT BE RESPONSIBLE FOR ANY INCIDENTAL OR CONSEQUENTIAL DAMAGES EXCEPT TO THE EXTENT PROVIDED (OR PROHIBITED) BY APPLICABLE LAW.

Some states do not allow the exclusion or limitation of incidental or consequential damages, so the above limitation may not apply to you. This warranty gives you specific legal rights, and you may also have other rights, which vary from state to state.

For the name of the nearest authorized JOBSITE wholesale distributor, contact:

JobSite Systems

12331 S.W. 130 Street, Miami, Florida 33186

WWW.JOBSITESYSTEMS.COM



JOBSITE SYSTEMS

12331 S.W. 130 STREET, MIAMI, FLORIDA 33186

P 866.4.JB.SITE (866.452.7483) – F 305.238.0185

WWW.JOBSITESYSTEMS.COM

© 2005 JobSite Systems. All rights reserved. JobSite, Pure Custom and Niles are registered trademarks of Niles Audio Corporation and the JobSite Logo is a trademark of Niles Audio Corporation. All other trademarks are the property of their respective owners. Some JobSite products (or components thereof) are manufactured under one or more U.S. Patents, foreign equivalents and/or pending patents (see product for details). Because we constantly strive to improve our products, JobSite reserves the right to change product specifications, descriptions, and prices without notice. The technical and other specifications of information contained herein are not intended to set forth all technical and other specifications of JobSite products. Additional information can be obtained at WWW.JOBSITESYSTEMS.COM or by calling JobSite at 866.452.7483. Printed in Malaysia. 6/05 DS00374BMV