

Product Support Guide

D052 / D053 / D054

Introduction

Model Type

B/W MFP

Launch Date

4/2008

S/N Configuration

M92 / M93 / M94

Product Code

D052 / D053 / D054

Brand/Model Name

Product Code	Gestetner	Lanier	Ricoh	Savin
D052	MP 6000 / 6000SP	LD260 / 260SP	Aficio MP 6000 / 6000SP	8060 / 8060sp
D053	MP 7000 / 7000SP	LD270 / 270SP	Aficio MP 7000 / 7000SP	8070 / 8070sp
D054	MP 8000 / 8000SP	LD280 / 280SP	Aficio MP 8000 / 8000SP	8080 / 8080sp

Product Concept

Provide higher productivity with established superior features for business excellence in an office environment.

The model MT series has successively established the top position with its excellent features to improve office efficiency. The B246 series provided the following advanced features:

- Productivity, Usability, Security, Energy-saving

The D052 Series will increase productivity by its cpm speed-up, in addition to the superior features above.



Product Support Guide

D052 / D053 / D054

Order Numbers

Main Frame

Name	Model	EDP Code	Lanier ID	Notes
Gestetner	MP 6000 / 6000SP MP 7000 / 7000SP MP 8000 / 8000SP	414338 / 414340 414341 / 414342 414343 / 414344	N/A	-
Lanier	LD260 / 260SP LD270 / 270SP LD280 / 280SP	N/A	479-1946 / 479-1947 479-1948 / 479-1949 479-1950 / 479-1951	-
Ricoh	Aficio MP 6000 / 6000SP Aficio MP 7000 / 7000SP Aficio MP 8000 / 8000SP	414338 / 414340 414341 / 414342 414343 / 414344	N/A	-
Savin	8060 / 8060sp 8070 / 8070sp 8080 / 8080sp	414338 / 414340 414341 / 414342 414343 / 414344	N/A	-

Options

Item	Description	EDP Code	Lanier ID	Product Code	Common / Unique
SR970	3000-sheet Finisher w/50-sheet Stapler	413321	216-1227	B701	Common with B246 Series
SR4000	2,000-sheet Booklet Finisher	413319	479-1679	B700	Common with B246 Series
SR842	3000-sheet Finisher w/100-sheet Stapler	413310	479-1759	B706	Common with B246 Series
RT43*	Large Capacity Tray	414517	481-7624	B473	Unique to D052 Series
Punch Unit Type 3260 NA 2/3	2/3 Hole Punch for SR970/SR980/SR4000	412209	216-7116	B702	Common with B246 Series
Punch Unit Type 1075 NA 2/3	2/3 Hole Punch for SR842	411198	481-0529	B531	Common with B246 Series
Cover Interposer Tray Type 3260	Cover Interposer	412213	216-7118	B704	Common with B246 Series
Copy Tray Type 2075	Copy Tray	412190	216-7113	B756	Common with B246 Series
8 1/2" x 14" Paper Size Tray Type 1075	LG/B4 Option	411187	481-0534	B474	Common with B246 Series
Key Counter Bracket Type 1027	Key Counter Bracket	412537	481-0478	B452	Common with B246 Series
Tab Sheet Holder Type 3260	Tab Sheet Holder	412203	216-7112	B499	Common with B246 Series

Product Support Guide

D052 / D053 / D054

Options

Item	Description	EDP Code	Lanier ID	Product Code	Common / Unique
A3/11"x17" Tray Unit Type 1075	A3/11"x17" Tray for Tandem Tray 1	411185	481-0533	B475	Common with B246 Series
Card Reader Bracket	Card Reader Bracket	411203	481-0539	B498	Common with B246 Series
Output Jogger Unit Type 3260	Output Jogger for SR970/SR4000	412212	216-7117	B703	Common with B246 Series
Output Jogger Unit Type 1075	Output Jogger for SR842	411206	481-0538	B513	Common with B246 Series
File Format Converter Type C	File Format Converter	412823	481-7053	B609	Common with B246 Series
Copy Connector Kit Type 7500	Copy Connector Kit	412809	481-7023	B842	Common with B246 Series
Z-folding Unit ZF4000	Z-Folding Unit	412805	479-1714	B660	Common with B246 Series
USB Host Interface Unit Type A	USB Host Interface	412867	481-7057	B825	Common with B246 Series
DataOverwriteSecurity Unit Type C	HDD Data Overwrite Unit	411989	481-0868	B735	Common with B246 Series
Type 7500 Removable Hard Drive	Removable Hard Drive	002849MIU	481-7303	-	Common with B246 Series
Type 7500 Additional Removable Hard Drive	Additional Removable Hard Drive	002850MIU	481-7304	-	Common with B246 Series
VM Card Type C	Java VM Card	413210	481-7072	B861	Common with B246 Series
Fax Option Type 7500	Fax Option	413491	481-7190	B819	Common with B246 Series
G3 Interface Unit Type 7500	Additional G3 line	413494	481-7191	B820	Common with B246 Series
32MB Memory 400dpi/SAF	Fax SAF Memory	001342MIU	481-0174	-	Common with B246 Series
Printer / Scanner Unit Type 8000	Printer / Scanner Unit	414367	481-7593	D406	Unique to D052 Series
Printer / Scanner	Ricoh Printer/Scanner Bundle	003445miu	-	-	U
Printer / Scanner	Savin Printer/Scanner Bundle	003446miu	-	-	U
Printer / Scanner	Lanier Printer/Scanner Bundle	003458miu	-	-	U
PostScript 3 Unit Type 7500	PostScript 3 Unit	412916	481-7021	B525	Common with B246 Series
Copy Data Security Unit Type C	Unauthorized Copy Control Unit	412808	481-7022	B829	Common with B246 Series

Product Support Guide

D052 / D053 / D054

Options

Item	Description	EDP Code	Lanier ID	Product Code	Common / Unique
Browser Unit Type B	Web Browser	413083	481-7059	B828	Common with B246 Series
CS391 9-bin Mailbox	9-bin Mailbox	412191	216-1229	B762	Common with B246 Series
IEEE 1284 Interface Board Type A	IEEE 1284 Interface Board	411699	481-0786	B679	Common with B246 Series
IEEE 1394 Interface Board Type B	IEEE 1394 Interface Board	412995	481-0683	B581	Common with B246 Series
IEEE 802.11b Interface Unit Type N	Wireless LAN Interface	414525	481-0907	B736	Unique to D052 Series
Bluetooth Interface Unit Type 3245	Bluetooth	412866	216-7092	B826	Common with B246 Series
Gigabit Ethernet Type 7300	1000Base-T Ethernet	402302	481-0893	G381	Common with B246 Series
BK5010 Plockmatic Booklet Maker	Plockmatic Bookletmaker	413101	479-1720	-	-
CF5010 Cover Feeder	Plockmatic Cover Feeder	413102	481-7078	-	-
TR5010 Trimmer	Plockmatic Trimmer	413103	481-7076	-	-
BF5010 Book Folder (requires Trimmer)	Plockmatic Book Folder	413104	481-7077	-	-
BK5010 Rail Unit	Plockmatic Rail Unit	413105	481-7079	-	-
GBC StreamPunch III	GBC StreamPunch III	414387	479-1745	-	-
GBC Die Set 3 Hole (Ring Binder)	Die Set	001450MIU	481-0736	-	-
GBC Die Set 11 Hole (Velobind)	Die Set	001451MIU	481-0737	-	-
GBC Die Set 19 Hole (Cerlox)	Die Set	001452MIU	481-0738	-	-
GBC Die Set 21 Hole (Twin Loop Wire 2:1)	Die Set	001453MIU	481-0739	-	-
GBC Die Set 32 Hole (Twin Loop Wire 3:1)	Die Set	001454MIU	481-0740	-	-
GBC Die Set 44 Hole (Color Coil)	Die Set	001455MIU	481-0741	-	-
GBC Die Set 32 Hole (Pro Click)	Die Set	002493MIU	481-7066	-	-

* RT43 LCT has been modified slightly to accommodate 80ppm model.

Product Support Guide

D052 / D053 / D054

Supplies/Yields

Name/Description	Ricoh Product Code	Savin Product Code	Lanier Product Code	Gestetner Product Code	Packaging	Yield (CTN)
Toner Type 6110D (Black)	885400				4 x 1,100 g./Btl.	172,000*
Toner Type 6075 (Black)		9883			4 x 1,100 g./Btl.	172,000*
Toner 6002/7502 (Black)				89883	4 x 1,100 g./Btl.	172,000*
Toner (Black)			480-0089		4 x 1,100 g./Btl.	172,000*
Developer Type 24 (Black)	**B0649645		480-0090		1-Each	350,000
Developer Type 6075 (Black)		**B0649645			1-Each	350,000
Developer Type DD9 (Black)				**B0649645	1-Each	350,000
Staple Type H for SR842	410508	9849			1 x 5,000/Ctn.	5,000
Staple Refill Type H for SR842	410509	9850			5 x 5,000/ Ctn.	25,000
Staple CSC810A for SR842				89849	1 x 5,000/ Ctn.	5,000
Staple Refill CSC810B for SR842				89850	5 x 5,000/ Ctn.	25,000
Staple Type H SC585 for SR842			117-0334		1 x 5,000/ Ctn.	5,000
Staple Refill Type H SC585 for SR842			117-0332		5 x 5,000/ Ctn.	25,000
Staple Type K for SR970/SR4000	410801	9858			1 x 5,000/ Ctn.	5,000
Staple Refill Type K for SR970/SR4000	410802	9859			3 x 5,000/ Ctn.	15,000
Staple CSC760A for SR970/SR4000				89858	1 x 5,000/ Ctn.	5,000
Staple Refill CSC760B for SR970/SR4000				89859	3 x 5,000/ Ctn.	15,000
Staple Type K SC645			480-0063		1 x 5,000/ Ctn.	5,000
Staple Refill Type K SC645			480-0062		3 x 5,000/ Ctn.	15,000
Staple Type L for SR4000 (Saddle Stitch)	411240	9885			1 x 2,000/ Ctn.	2,000
Staple Refill Type L for SR4000 (Saddle Stitch)	411241	9886			4 x 2,000/ Ctn.	8,000
Staple CSC860A for SR4000 (Saddle Stitch)				89885	1 x 2,000/ Ctn.	2,000
Staple Refill CSC860B for SR4000 (Saddle Stitch)				89886	4 x 2,000/ Ctn.	8,000
Staple Type L for SR4000 (Saddle Stitch)			480-0091		1 x 2,000/ Ctn.	2,000
Staple Refill Type L for SR4000 (Saddle Stitch)			480-0092		4 x 2,000/ Ctn.	8,000

NOTE: *A4, 6% chart is used to measure the above yield. Storage period for toner is max. 1 year.

NOTE: ** Part Number

Product Support Guide

D052 / D053 / D054

Option Compatibility

	1.DTL/A3 Tray	2.Tab Sheet Holder	3.LCT	4.LCT LG Unit	5.Copy Tray	6.50sheet staple Finisher-A	7.Saddle Stitch Finisher-B	8.100sheet Staple Finisher-C	9.Punch Units for Fin-A & B	10.Punch Unit for Fin-C	11.9-bin Mailbox	12.Cover Interposer	13.Jogger Unit for Fin-A & B	14.Jogger Unit for Fin-C	15.Z-folding unit	16.Printer / Scanner Unit	17. PS3	18. IEEE1394	19. IEEE1284 Centro	20. Wireless LAN	21. Bluetooth	22.1000Base T Ethernet	23. USB Host I/F	24. Unauthorized Copy Control Unit	25. DOS Unit	26. VM Card	27. Copy Connector	28. File Format Converter	29. Fax Option	30.G3 Interface Unit	
1.DTL/A3 Tray	X																														
2.Tab Sheet Holder		X																													
3.LCT			X																												
4.LCT LG Unit				M																											
5.Copy Tray					X	X	X	X	X	X	X	X	X	X	X																
6.50sheet staple Finisher-A					X	X	X	X	X	X	X	X	X	X	X																
7.Saddle Stitch Finisher-B					X	X	X	X	X	X	X	X	X	X	X																
8.100sheet Staple Finisher-C					X	X	X	X	X	X	X	X	X	X	X																
9.Punch Units for Fin-A & B					X	1	1	X	X	X	X	X	X	X	X																
10.Punch Unit for Fin-C					X	X	X	M	X	X	X	X	X	X	X																
11.9-bin Mailbox					X	1	1	X	X	X	X	X	X	X	X																
12.Cover Interposer					X	X	X	X	X	X	X	X	X	X	X																
13.Jogger Unit for Fin-A & B					X	1	1	X	X	X	X	X	X	X	X																
14.Jogger Unit for Fin-C					X	X	X	M	X	X	X	X	X	X	X																
15.Z-folding unit								1	1	X	X	X	X	X	X																
16.Printer / Scanner Unit																X															
17. PS3																	X														
18. IEEE1394																		X	X	X											
19. IEEE1284 Centro																		X	X	X											
20. Wireless LAN																		X	X	X											
21. Bluetooth																		X	X	X											
22. 1000Base T Ethernet																					X										
23. USB Host I/F																						X									
24. Unauthorized Copy Control Unit																							X								
25. DOS Unit																								X							
26. VM Card																									X						
27. Copy Connector																										X					
28. File Format Converter																											X				
29. Fax Option																												X			
30. G3 Interface Unit																													X		

X: Cannot be installed together
M: Must be installed together in RAC Market
1: Must be select one of these two options & installed together

Product Support Guide

D052 / D053 / D054

Branding Information

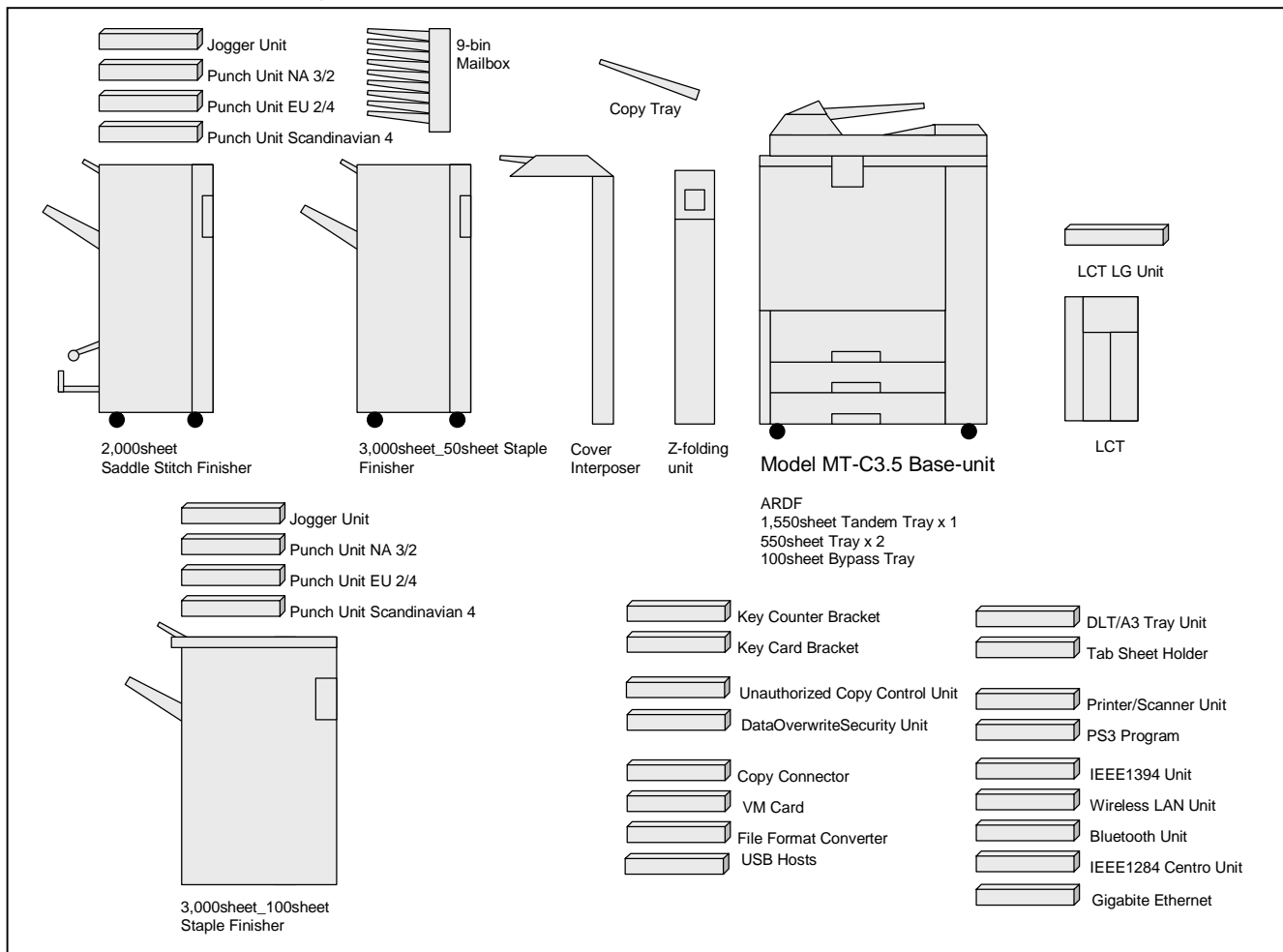
Branding is required as the machines are shipped as a generic version.

Ricoh version machines: You must attach the model label (provided) to the front cover.

Savin/Lanier: You must attach the model label (provided) to the front cover and set the Plug and Play name with SP 5-907.

Configuration

Main Frame Configuration



Product Support Guide

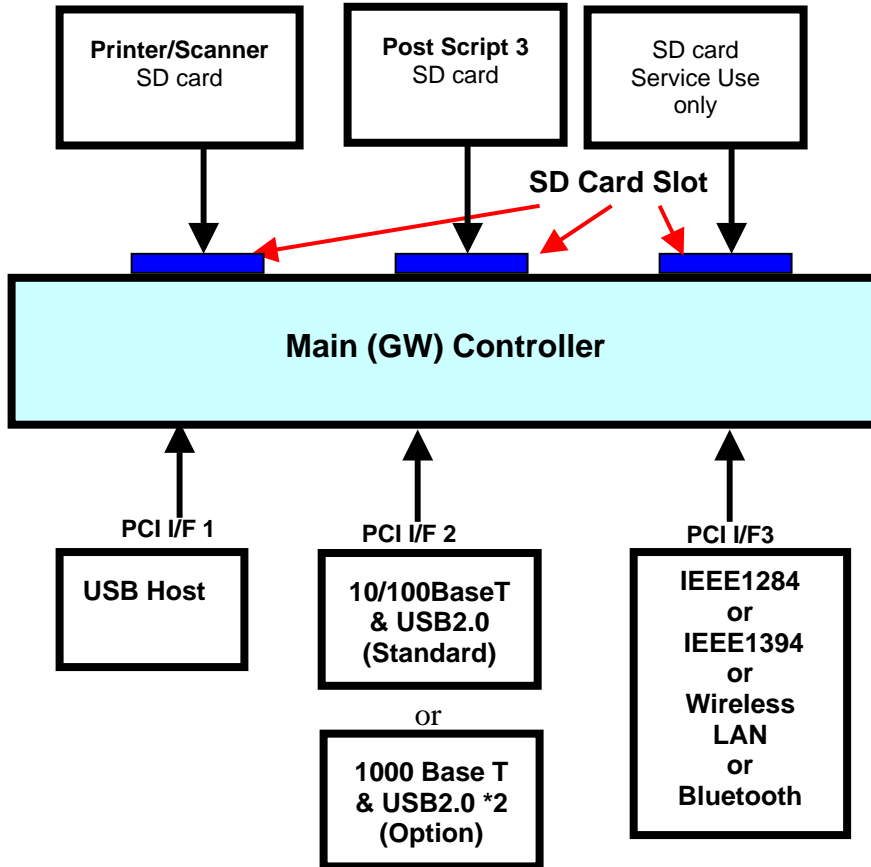
D052 / D053 / D054

MFP Option Board Slot / SD Card Assignments

This machine has built in standard 10/100BaseT Network Interface Board (NIB) and USB2.0.

In addition to them, the customer can select 1000 Base-T Ethernet, Wireless LAN Interface (IEEE802.11b, WPA support), IEEE1394, Bluetooth or IEEE 1284 (Parallel port).

For 3rd vender IC CARD Authentication, USB Host interface is available.



*1. Only one out of IEEE1394, IEEE1394, Wireless LAN or Bluetooth can be installed.

*2. PCI I/F for 1000 Base T & USB2.0 and 10/100BaseT & USB2.0 cannot be selected together.

Product Support Guide

D052 / D053 / D054

Feature Comparison To Previous Version

Items	D052 Series (New Model)	Improvement	B246 Series (Previous Model)
CPM	60/70/80cpm	X	55/65/75cpm
Resolution	1,200dpi		1,200dpi
HDD	80GB		80GB
Operational Panel	Large WVGA		Large WVGA
Preview/Thumbnail Display	Yes		Yes
Duty	300K		300K
Life	9,000K		9,000K
MCBC	100K	X	75K
Drum Yield	1,200K		1,200K
Warm up Time (sec.)	30/30/60		30 sec.
Recovery time from Off mode (sec.)	30/30/60		30 sec.
Recovery time from Low power mode	10 sec.		10 sec.
Dual sided scanning	Yes		Yes
Paper capacity (Standard)	4,300 sheets		4,300 sheets
Paper capacity (Maximum)	8,300 sheets		8,300 sheets
Z-folding	Yes		Yes
Booklet	Yes		Yes
Cover Interposer	Yes		Yes
9 bin Mailbox	Yes		Yes
First Copy Time (seconds)	4.2/3.5/3.5		4.2/3.5/3.5
Scan to E-mail	Yes		Yes
Scan to Folder	Yes		Yes
LDAP	Yes		Yes
IP v6 Printing	Yes		Yes
PDF Direct Print	Yes		Yes
Web Image Monitor	Yes		Yes
NRS	Yes		Yes
Windows Authentication	Yes		Yes
DOS Unit	Yes		Yes
Unauthorized Copy Control	Yes		Yes

Product Support Guide

D052 / D053 / D054

Feature Comparison To Previous version (*GW Controller*)

Item	Printer Controller for D052 Series (New Model)	Printer Controller for B246 Series (Previous Model)
Print speed	60 / 70 / 80 ppm	55 / 65 / 75 ppm
Type	Embedded	Embedded
CPU	Intel Celeron LV 866MHz	Intel Celeron LV 866MHz
Interface	<Standard> USB2.0 Ethernet 100/10 base TX <Option> 1. IEEE 1394 2. Wireless LAN (IEEE802.11b) 3. Bluetooth 4. IEEE 1284 Type C 5. USB Host 6. 1000Base T Ethernet	<Standard> USB2.0 Ethernet 100/10 base TX <Option> 1. IEEE 1394 2. Wireless LAN (IEEE802.11b) 3. Bluetooth 4. IEEE 1284 Type C 5. USB Host 6. 1000Base T Ethernet
Network protocol	TCP/IP, IPX/SPX, EtherTalk, SMB	TCP/IP, IPX/SPX, EtherTalk, SMB
Print language	<Standard> RPCS, PCL5e / 6 <Option> Adobe PostScript 3	<Standard> RPCS, PCL5e / 6 <Option> Adobe PostScript 3
Resolution	RPCS: 300/600/1200dpi PCL5e: 300/600dpi PCL6: 600/1200dpi PS3: 300/600/1200dpi	RPCS: 300/600/1200dpi PCL5e: 300/600dpi PCL6: 600/1200dpi PS3: 300/600/1200dpi
Memory	MAX: 512MB (Standard 256MB Memory)	MAX: 512MB (Standard 256MB Memory)
HDD	<Standard> 80.0GB	<Standard> 80.0GB
Utility software	SmartDeviceMonitor for Admin Printer Utility for Mac, DeskTopBinder Lite	SmartDeviceMonitor for Admin Printer Utility for Mac, DeskTopBinder Lite
Localization for Printer Driver	RPCS/PCL: 18 Languages PS3: 12 Languages	RPCS/PCL: 18 Languages PS3: 12 Languages

Product Support Guide

D052 / D053 / D054

Installation

Installation Requirements

Temperature Range:	10° C to 32° C (50° F to 89.6° F)
Humidity Range:	15% to 80% RH
Ambient Illumination:	Less than 1,500 lux (do not expose to direct sunlight)
Ventilation:	3 times/hr/person
Ambient Dust:	Less than 0.075 mg/m ³ (2.0 x 10 ⁻⁶ oz/yd ³)
Avoid areas exposed to sudden temperature changes:	
	Areas directly exposed to cool air from an air conditioner.
	Areas directly exposed to heat from a heater.
Do not place machine where it will be exposed to corrosive gas or vapor.	
Do not install the machine at any location over 2,000m (6,500 ft.) above sea level.	
Place the machine on a strong and level base. Inclination on any side should be no more than 5mm (0.2")	
Do not place the machine where it may be subject to strong vibrations.	
Machine level	<ul style="list-style-type: none">• Front to back: within 5mm (0.2") of level• Right to left: within 5mm (0.2") of level

Power Requirements

Line voltage level:

D052/D053/D054: 120V 60 Hz 20A

Permissible voltage fluctuation: +/-10%

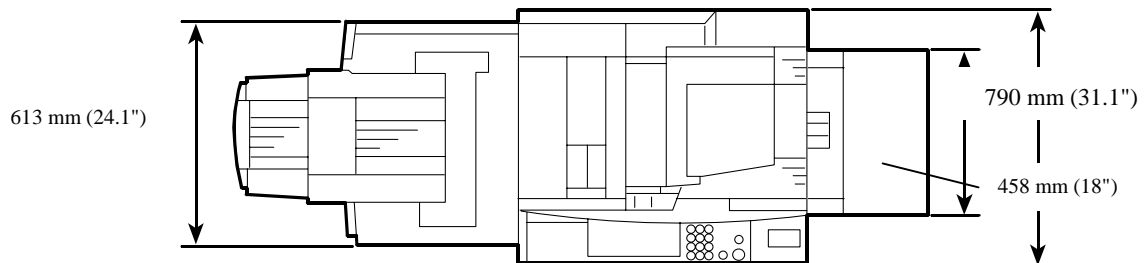
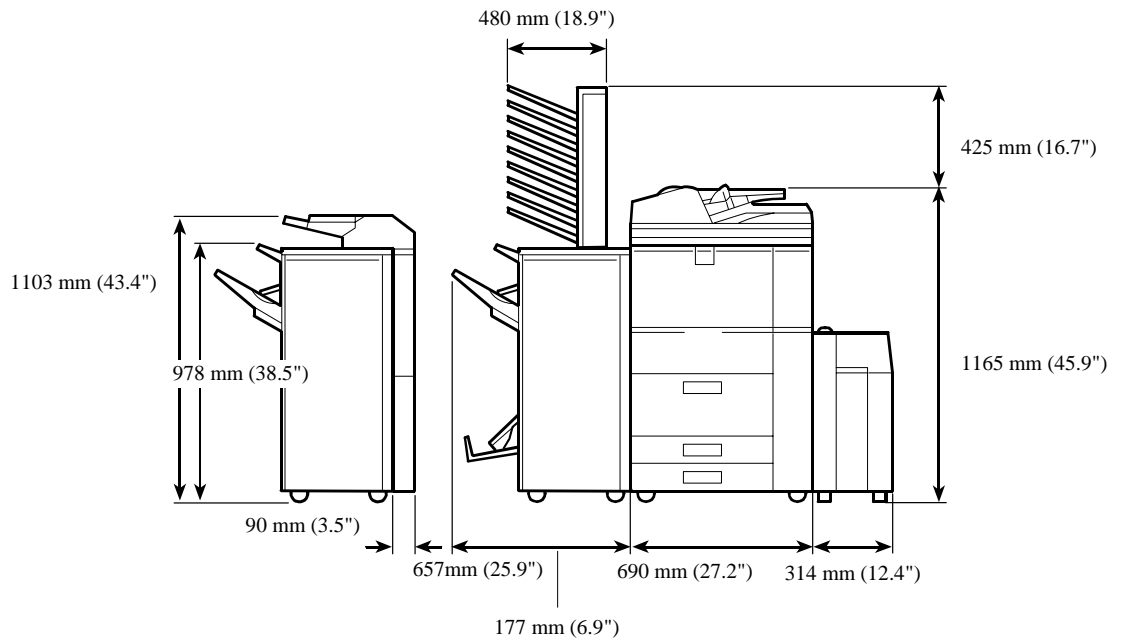
Never set anything on the power cord.



Product Support Guide

D052 / D053 / D054

Machine Space Requirements



Product Support Guide

D052 / D053 / D054

Power Consumption / Noise Emission

		Power Consumption	Recovery Time	BTU's
Auto off mode (Off mode: Stand-alone)	Basic	3.3W/3.3W/3.3W*	30 sec	11
Auto off mode (Sleep mode: MFP)	SP	28.1W/28.1W/28.1W*	30 sec	96
Auto off mode (Off mode: Stand alone)	Basic	Same as Auto off mode	Same as Auto off mode	11
Energy save mode (Low power mode)	SP	Same as Auto off mode	Same as Auto off mode	11
10 sec recovery mode	Basic	196W/196W/196W*	10 sec	669
	SP	207W/207W/207W*	10 sec	706
Stand-by mode	Basic	296W/296W/296W*	0 sec	1009
	SP	335W/335W/35W*	0 sec	1143

Note: *D052/D053/D054

Noise Emission

Model	Operation	Mainframe	Full System
D052	Standby	51dB	-
	Operating	70dB	75dB
D053	Standby	51dB	-
	Operating	71dB	75dB
D054	Standby	51dB	-
	Operating	72dB	75dB

NOTE: The above measurements were made in accordance with ISO 7779.

NOTE: The measurements were taken from the normal position of the operator.

Installation Times

Unit	Installation Time (Minutes)	Unit	Installation Time (Minutes)
LCT:	10 minutes	9 Bin Mail Box:	10 minutes
LCT/LG Kit:	10 minutes	Printer/Scanner:	5 minutes
A3/DLT Kit:	5 minutes	Wireless LAN:	5 minutes
Finisher (B700 / B701):	10 minutes	IEEE 1394:	5 minutes
Finisher (B706):	15 minutes	Connection Kit:	5 minutes
Punch Unit for Finishers:	5 minutes	Cover Interposer:	10 minutes
Jogger Unit for Finishers:	3 minutes	Z-folding unit:	15 minutes
Exit Tray:	3 minutes	Tab Sheet Kit:	1 minute
Data Overwrite Security Unit:	5 minutes	File Format Converter:	5 minutes
Fax Option:	20 minutes		

Product Support Guide

D052 / D053 / D054

Storage/Transportation

	Storage	Transportation
Mainframe	-30 ~ 40°C Less than 80% RH Storage Period: Max: 18 months / Max Stack: 3 cartons	-30 ~ 50°C 15% ~ 95% RH Max Stack: 1 carton
Toner (*1)	Less than 40°C Less than 80% RH Storage Period: Max 12 month	Less than 40°C Less than 80% RH
Developer (*1)	Less than 40°C Storage Period: Max 12 month	Less than 40°C

NOTE: (*1) Do not store more than 12 hours under the temperature between 40 and 50°C. Do not store more than a month under the temperature between 35 and 40°C. Store in a dry, dark place where temperature does not exceed 40°C on continuance storage/transportation conditions.

Special Tools & Lubricants

Item	Part Number	Description	Q'ty	Unique or Common
1	A0069104	Scanner Positioning Pin (4pcs/set)	1	C (Model B246)
2	A2929500	Test Chart - OS-A3 (10 pcs/set)	1	C (Model B246)
3	B6455010	SD-CARD: ASS'Y	1	C (Model B246)
4	B6456700	PCMCIA Card Adapter	1	C (Model B246)
5	B6456800	USB Reader/Writer	1	C (Model B246)
6	A2579300	Grease - Barrierta S552R	1	C (Model B246)
7	52039502	Silicon Grease G-501	1	C (Model B246)
8	G0219350	Loop Back Connector	1	C (Model B246)
9	B0649500	Test Chart for CIS	1	C (Model B246)
10	54429101	Setting Powder	1	C (Model B246)
11	-	Ricoh System Information Tool (Support Tool Version 2) - Basic version - Mail version - Rlogtool (For use with GW controller)	1	C (General)

Target Reliability

Items	Model D052	Model D053	Model D054
ACV	25k prints/month	30k prints/month	50k prints/month
Max CV	150k prints/month	150k prints/month	150k prints/month
PM Interval	300k prints/month	300k prints/month	300k prints/month

Product Support Guide

D052 / D053 / D054

Parts / Special Tools / Maintenance

The yield figures are based on (LT) long-edge feed, 5% image coverage ratio, 5 copies/original (D052/D053), 10 copies/original (D054)

Unique/Common
 U: Unique for this model
 C: Common with B246

Copier/MFP: D052/D053/D054

Part Number	Description	Q'ty/ Unit	PM Interval	Unique or Common
Around the drum				
A0962060	Charge Corona Grid	1	300k	C
B0702364	Charge Corona Wire	1	300k	C
A0962063	Charge Wire Cleaning Pad	1	300k	C
AD041140	Cleaning Blade	1	300k	C
B2472330	Cleaning Brush	1	300k	C
B2461233	Ozone Filter (TOP)	1	300k	C
B2473340	Development Filter	2	300k	C
B2473161	Used Toner Separation Unit	1	600k	C
Paper Feed				
AF031082	Feed Roller	3	1000k	C
AF030081	Pick-up Roller	3	1000k	C
AF032080	Separation Roller	4	1000k	C
AF031083	By-pass Feed Roller	1	1000k	C
AF030080	By-pass Pick-up Roller	1	1000k	C
Transfer Belt Unit				
A2933899	Transfer Belt	1	450k	C
AD041126	Transfer Roller Cleaning Blade	1	450k	C
B0653947	Discharge Plate	1	300k	C

Product Support Guide

D052 / D053 / D054

Part Number	Description	Q'ty/ Unit	PM Interval	Unique or Common
Fusing Unit				
B1404181	Cleaning WEB	1	300k	C
AE044068	Cleaning WEB Pressure Roller	1	600k	C
B1404191	Cleaning WEB Pressure Roller Bearing Front	1	600k	C
B1404192	Cleaning WEB Pressure Roller Bearing Rear	1	600k	C
AE011117	Hot Roller	1	300k	C
AE030054	Hot Roller Bearing	2	300k	C
AE044060	Hot Roller Stripper	5	300k	C
AE042066	Pressure Cleaning Roller	1	300k	C
AE031026	Pressure Cleaning Roller Bearing	2	300k	C
AE020162	Pressure Roller	1	300k	C
AE030053	Pressure Roller Bearing	2	300K	C
AW100108	Thermistor Center	1	300k	C
AW100109	Inner Back Fusing Thermistor	1	300k	C
ADF				
B4772225	Pick-up Roller	1	80k originals	C
A8592241	Separation Roller	1	80k originals	C
A8061295	Paper Feed Belt	1	80k originals	C
LCT: B473				
AF030080	Pick-up Roller	1	1000k	C
AF031083	Feed Roller	1	1000k	C
AF032080	Separation Roller	1	1000k	C

Product Support Guide

D052 / D053 / D054

Specifications / Documentation

Machine

Configuration	Console	
Printing Process	Four laser beams & Electro-photographic printing	
Reading Element	Simultaneous Double Sided Scanner Flatbed with moving CCD array image-sensing and Sheet through with fixed CIS array image-sensing	
Original Type	Book/Sheet/Object	
Original Size	A3 – B6 (11"x 17" – 5 1/2" x 8 1/2")(ADF)	
Copy / print paper size	Trays: A3/DLT– A5/HLT (11"x 17" – 5 1/2" x 8 1/2") Bypass (standard): A3 – A6 SEF (11"x 17" – 5 1/2" x 8 1/2") Bypass (non-standard): Vertical: 100-297mm /4"-12" Horizontal: 140-432mm/5.5"-17"	A6 SEF: Bypass
Paper weight	<u>Tray (1-3):</u> 52.3 - 127.9g/m ² (14-34lb bond) <u>Bypass (Standard):</u> 52.3 - 157g/m ² (14-43lb bond) <u>Bypass (Thick Paper Mode):</u> 52.3 ~216g/m ² (14-58lb Bond) <u>Duplex:</u> 64-127.9g/m ² (17-34lb bond)	
Reduction	NA: 93,85,78,73,65,50,25%(7R)	
Enlargement	NA: 121,129,155,200,400%(5E)	
Engine Speed	D052: 60ppm. D053: 70ppm. D054: 80ppm.	A4/LT LEF
Resolution	Marking: 1,200dpi Scanning: 600dpi	
Zoom	25-400%	1% step
Gradation	Scanning: 256 scales Marking: 2 levels (5 levels at max)	
Warm-up time	D052/D053: Less than 30 seconds. D054: < than 60 seconds	
1 st Copy Speed	D052: 4.2 seconds D053: 3.5 seconds D054: 3.5 seconds	-A4/LT LEF, -Contact glass mode, -APS Off, -From 1 st Tray -Face up
Multiple copy	Up to 999	
Standard paper capacity	4,300 sheets 1 st Tray: 1,550 x 2 (Tandem) sheets 2 nd Tray: 550 sheets 3 rd Tray: 550 sheets Bypass: 100 sheets	
Maximum paper capacity	8,300 sheets LCT: 4,000 sheets	
Output capacity	500 sheets/A4, LT 250 sheets/A3, 11" x 17"	With Copy Tray
Memory Capacity	RAM: 256MB(Standard) 512MB(Max) HDD: 80GB	
Rating power spec.	NA: 120V, 60Hz, 20A	
Power consumption	Max: 1.85kw	
Dimensions (W x D x H):	Approx. 690 x 790 x 1,165 (mm)	
Weight	Less than 206kg	

Product Support Guide

D052 / D053 / D054

Machine continued

Auto Paper Select	Standard	
Manual Paper Select	Standard	
Auto Tray Switch	Standard	
Special Paper Display	Standard	
Directional Magnification	Standard	1% step
Directional Size Magnification	Standard	(Inch/mm)
Auto Magnification Select	Standard	
Stamp mode	Standard -Background Numbering -Preset stamp (8 patterns) -User stamp (4 patterns) -Date stamp (5 patterns) -Page numbering (6 patterns) -Stamp Text	Multi language
Repeat Copy	Standard	
Double Copy	Standard	
Border/Center Erase	Standard	
Delete Inside/Outside	Standard	
Margin Adjustment	Standard	
Image Shift	Standard	Centering
Combine copy	Standard -Combine 2,4,8 in 1 simplex sheet -Combine 4,8,16 in 1 duplex sheet -Magazine mode	
Duplex	Standard -Simplex to Duplex -Duplex to Duplex -Book 2 pages to Duplex	
Series copy	Standard -Book to Simplex -Duplex to Simplex	
Clear mode	Standard -Clear -Mode Clear -Application clear -Clear / Stop	
Job Interrupt	Standard	
Original Counter (Operation Panel)	Standard	Scanned original to be counted
Copy Counter (Operation panel)	Standard	Finished sets to be counted
Estimated Finish Time counter	Standard	
Weekly Timer	Standard	
Sample Copy	Standard	
Job Preset	Standard	Up to 8 jobs
Copy Connector	Optional	
Auto start	Standard	
User Code	Up to 500	8 digits
Document Server	Standard	

Product Support Guide

D052 / D053 / D054

Machine continued

Auto start	Standard	
Copy Connector	Optional	
User Program	Standard	
Job recall	Not available	
Original Mode	Text mode Photo/Text mode Photo mode Pale mode Generation Copy mode	Default: Text
Image Density Adjustment	Automatic or Manual -Manual: 7 notch -Automatic: Error Diffusion	
2 Languages Panel Switch	Standard (Can change by UP mode)	
Electronic Sort Shift Sort Rotate Sort	Standard	Sort: Copy Tray Shift sort: with optional Finisher
Electronic Stack	Standard	With optional Finisher
Staple	Option	With optional Finisher
Punch	Option (NA) 2 or 3 holes switch able (EU) 2 or 4 holes switch able Scandinavian 4 holes	With optional Finisher 2 or 3/2 or 4 is selectable in UP mode.
Cover sheet	Standard	
Chaptering	Standard	
Paper designate	Standard	
Slip sheet	Standard	
ADF	Standard -100 sheets capacity or 12mm height of originals stack - Mixed size original - SADF mode	
Anti-humidity Heater	Service option	
Condensation Prevention Heater	Service option	
Electronic counter	Standard	
Key Counter Bracket	Option	
Key Card	Recommended system only	
Coin Lock	Not support	

Product Support Guide

D052 / D053 / D054

Options

ARDF

Dimensions (W x D x H)	680x560x180mm
Weight	Less than 18kg
Power consumption	Less than 110W
Noise (Power level)	Less than 71dB
Stack Capacity	100 sheets (*1)
Original Size	-Simplex B6 – A3 (SEF) 5 1/2" x 8 1/2"- 11" x 17"(SEF) -Duplex A5 – A3 (SEF) 5 1/2" x 8 1/2"- 11" x 17"(SEF)
Original Weight	-Simplex: 40- 128 g/m ² 11- 34 lb Bond -Duplex: 52- 128 g/m ² 14- 34 lb Bond
Original set position	Left-rear corner
Original Set	Face Up, First sheet on top
Original Feed	ADF, SADF mode
Special Original Setting	Batch, Mixed Size
Original Feeding Speed	75 opm (A4 LEF)
Power Source	From Mainframe

Large Capacity Tray

Dimensions (W x D x H)	314 x 458 x 659mm 462 x 458 x 659mm (*1)
Weight	Less than 20 kg Less than 27 kg (*2)
Power consumption	Less than 50W
Noise (power level)	Less than 74dB
Paper Size	A4 LEF, B5 LEF, 11" x 8 1/2"LEF
Paper weight	52-128g/m ² , 14-34lb Bond
Paper capacity (*4)	4,000 sheets 2,500 sheets (*3)

LG/B4 option for LCT

Paper weight	52-128g/m ² , 14-34lb Bond
Paper Size	8 1/2"x 14"(LG), B4, A4 SEF, 8 1/2" x 11" SEF

Product Support Guide

D052 / D053 / D054

9-Bin Mailbox

Dimension (W x D x H)	540 x 600 x 660 (mm)
Weight	Less than 15 kg
Power consumption	Less than 48W
Noise (Power level)	Less than 74dB
Number of Bins	9 bins
Stack capacity of each bin	100 sheets (*)
Paper weight	52-128 g/m ² , 14-34 lb Bond
Paper size	A5-A3 5 1/2" x 8 1/2"-11"x17"

3,000-sheet Finisher with 100-sheet Stapler

Dimension W x D x H		800 x 730 x 980mm
Weight		Less than 65kg
Power Consumption		Less than 100W
Noise		Less than 75dB
Configuration y		Console type attached base-unit with Finisher Adapter
Power Source		From base-unit
Proof Tray	Stack Capacity*	500 sheets A4, 8 1/2"x11" or smaller 250 sheets B4, 8 1/2"x14 or larger
	Paper Size	A6 SEF-A3 SEF 5 1/2"x8 1/2"- 11"x17", 12"x18" Z-folding A3, B4, A4 SEF, 11x17, 8 1/2 x 14, 8 1/2 x 11 SEF
	Paper Weight	52 g/m ² -216 g/m ² 14 lb Bond- 58 lb Bond / 110 lb Index / 80 lb Cover Z folding: 64-80gms
Shift Tray	Stack Capacity*	3000 sheets A4 LEF, B5 LEF, 8 1/2"x11" LEF 1500 sheets A3 SEF, , B4 SEF, B5 SEF 11"x17" SEF, 8 1/2"x14" SEF, 8/1/2" x 11" SEF 12"x18" 500 sheets A5 LEF, 5 1/2"x8 1/2"LEF 100 sheets A5 SEF, 5 1/2"x8 1/2"SEF
	Paper Size	A5 - A3 SEF 5 1/2"x8 1/2"- 11"x17" Z-folding A3, B4, A4 SEF, 11x17 ,8 1/2 x 14 , 8 1/2 x 11SEF
	Paper Weight	52 g/m ² -216 g/m ² 14 lb Bond- 58 lb Bond / 110 lb Index / 80 lb Cover Z folding: 64-80gms

Product Support Guide

D052 / D053 / D054

Cover Interposer Tray

Dimension (W x D x H)	500 x 600 x 600 (mm)
Weight	Less than 12kg
Power consumption	Less than 43W
Noise (Power level)	Less than 65dB
Paper Size	A5-A3 5 1/2"x 8 1/2"-11"x17"
Paper weight	64 – 216g/m2 17lb Bond -110 lb index, 80lb Cover
Paper capacity	200 sheets
Original set position	Center
Original Set	Face-up (Normal Feed)
	Face-down (Saddle Stitch)

3,000-sheet Finisher with 50-sheet Stapler

Dimension W x D x H		657 x 613 x 960mm
Weight		Less than 54kg Less than 56kg with Punch Unit
Power Consumption		96W or less
Noise		71db or less
Configuration		Console type attached base-unit
Power Source		From base-unit
Proof Tray	Stack Capacity*	250 sheets A4, 8 1/2"x11" or smaller 50 sheets B4, 8 1/2"x14 or larger
	Paper Size	A5-A3 SEF, A6 SEF, B6 SEF 5 1/2"x8 1/2"-11"x17"SEF, 12"x18" SEF
	Paper Weight	52 g/m ² -163 g/m ² 14 lb Bond- 43 lb Bond / 90 lb Index / 60 lb Cover
Shift Tray	Stack Capacity*	3,000 sheets A4 LEF, 8 1/2"x11" LEF 1,500 sheets A3 SEF, A4 SEF, B4 SEF, B5 11"x17" SEF, 8 1/2"x14" SEF, 8/1/2" x 11" SEF,12"x18" SEF 500 sheets A5 LEF 100 sheets A5 SEF, B6 SEF, A6 SEF, 5 1/2"x8 1/2"SEF
	Paper Size	A5 - A3 SEF, A6 SEF, B6 SEF 5 1/2"x8 1/2"- 11"x17"SEF, 12"x18"SEF
	Paper Weight	52 g/m ² -256 g/m ² 14 lb Bond- 68 lb Bond / 140 lb Index / 90 lb Cover

Copy Tray

Dimension (W x D x H)	400 x 335 x 70 mm 16"x 13.4"x2.8"
Weight	640g
Paper Capacity	500 sheets A4/LT 250 sheets A3, 11"x17"

Product Support Guide

D052 / D053 / D054

Printer

Controller

CPU		Intel Celeron LV 866MH	
RAM		DDR-SDRAM 512MB (Resident 256MB)	
Hard Disk Drive		80 GB	
PDL	Standard	RPCS, PCL6, PCL5e	
	Option	Adobe PostScript 3	
Continuous Print Speed	A4 / LT LEF (Plain paper)	60ppm / 70 ppm / 80 ppm (D052 / D053 / D054)	
Print Resolution	Max.	1200 x 1200 (dpi)	
Fonts	Standard	PCL: 46 fonts (TrueType: 10 fonts, Intelli: 35 fonts, Bitmapped: 1 font) + International fonts: 13 Intellifonts	
	Option	PS3: 136 Adobe Type 1 fonts	
Connectivity	Host Interface	Standard	Ethernet (RJ-45: 100BASE-TX/10BASE-T) USB 2.0
		Option	Wireless LAN Interface (IEEE802.11b) IEEE1394 (6 pin) Parallel Port IEEE1284 Type C Bluetooth USB Host 1000Base T Ethernet
	Network Protocol		TCP/IP, IPX/SPX, SMB, AppleTalk (Auto Switching)
	MIB support	Standard MIB	MIB-II(RFC1213), HostResource (RFC1514), PrinterMib (RFC1759)
		Private MIB	Ricoh Original
	Network/Operating Systems		Windows 2000 / XP / Vista Server 2003 Mac OS 8.6-9.2x, OS X 10.1 or later Netware 3.12, 3.2, 4.1, 4.11, 5.0, 5.1, 6, 6.5 Sun Solaris 2.6 / 7 / 8 / 9 / 10 HP-UX 10.X / 11.x / 11i v2 SCO OpenServer 5.0.6 / 5.0.7 / 6.0 RedHat Linux6.x / 7.x / 8.x / 9 / Enterprise IBM AIX V4.3/5L V5.1, V5.2, V5.3

[REMARKS]

*Cyrillic (Russian), Greek, Hebrew and Arabic are included in International Fonts.

*Windows 9x (Windows 95/98/ME) and NT4.0 drivers are not supported.

Product Support Guide

D052 / D053 / D054

Controller Details

Print Resolution	Engine	1200 (dpi)	
	Controller	PCL5e	300 / 600 (dpi)
		PCL6	600 / 1200 (dpi)
		RPCS	600/ 1200 (dpi)
		PS3 (Option)	300 / 600 /1200 (dpi)
	Drivers	PCL5e	300 / 600 (dpi)
		PCL6	600 / 1200 (dpi)
		RPCS	300 / 600 /1200 (dpi)
PS3 (Option)		600 /1200 (dpi)	
Language Support	Operation Panel	1.English, 2.German, 3.French, 4.Italian, 5.Spanish, 6.Dutch, 7.Swedish, 8.Norwegian, 9.Danish, 10.Czech, 11.Hungarian, 12.Finnish, 13.Polish, 14.Portuguese, 15. Russian, 16. Korean, 17. Simplified Chinese, 18. Traditional Chinese, 19. Catalan, 20. Turkish	
	Drivers	PCL5e/PCL6	1.English, 2.German, 3.French, 4.Italian, 5.Spanish, 6.Dutch, 7.Swedish, 8.Norwegian, 9.Danish, 10.Czech, 11.Hungarian, 12.Finnish, 13.Polish, 14.Portuguese, 15. Russian, 16. Korean, 17. Simplified Chinese, 18. Traditional Chinese
		RPCS	1.English, 2.German, 3.French, 4.Italian, 5.Spanish, 6.Dutch, 7.Swedish, 8.Norwegian, 9.Danish, 10.Czech, 11.Hungarian, 12.Finnish, 13.Polish, 14.Portuguese, 15. Russian, 16. Korean, 17. Simplified Chinese, 18. Traditional Chinese
		PS3 (Option)	1.English, 2.German, 3.French, 4.Italian, 5.Spanish, 6.Dutch, 7. Swedish, 8. Norwegian, 9. Danish, 10. Korean, 11. Simplified Chinese, 12. Traditional Chinese

Product Support Guide

D052 / D053 / D054

Supported Environments

Mac OS Environment

	PostScript3	Printer Utility for MAC
Mac OS 8.6 or later, Mac OS X classic	Yes	Yes
Mac OS X Native: v. 10.1 or later *1	Yes	Yes*2

*1: Mac OS X v.10.0.X is not supported.

*2: Mac OS X v.10.2.0 is not supported.

UNIX Environment

Supported platforms for Unix filter

Unix Platforms	Version
Sun Solaris	2.6 / 7 / 8 / 9 /10
HP-UX	10.x / 11.x/11iv2
Red Hat Linux	6.x / 7.x / 8.x / 9.x / Enterprise
SCO OpenServer	5.0.6 /5.0.7/6.0
IBM AIX	V4.3 & 5L Version 5.1/5.2 /5.3

Above specification and schedule are subject to change. Please refer to release announcement of Unix Filter for details.

Novell Netware

Netware Server	Supported Version	Netware 3.12 / 3.2 / 4.1 / 4.11 / 5.0 / 5.1 / 6.0/6.5
	Client OS	Windows 95 / 98 / Me / NT4.0 / 2000 / XP (Professional)

SAP R/3 Environment (Device Type / Barcode & OCR Package)

Supported environments	R/3 version	3.x or later, mySAP ERP2004 or later
	Platform	Independent
	PDL	PCL5e/PCL 5c
	Character Set	Latin 1(Western Europe), Latin 2 (Eastern Europe), Unicode 3.0
	Localization	English only
Supported features	i.e.: Input/Output Bin, Duplex, Stapling, Punching, Resolution, Collation, EconoMode/TonerSaving, Smoothing, Page Protect, Auto Tray Change/Opt Tray select	
Supported Barcode & OCR Fonts* (* BOP is procured locally.)	Barcode Fonts (Support Latin 1 only)	Code 128, Code 39, Code 93, Codabar, 2 of 5 interleaved/Industrial/Matrix, MSI, USPS, UPC/EAN
	OCR Fonts	OCR A, OCR B

Above specification and schedule are subject to change. Please refer to release announcement of SAP device type for details.

Product Support Guide

D052 / D053 / D054

Scanner

Items	Specifications
Resolution:	100 / 200 / 300 / 400 / 600 dpi (Default =200dpi) 100 – 1200 dpi (Twain: B/W)
Scan Speed:)	75ipm (A4, 200dpi)
Max. Scan area	297mm x 432mm
sRGB Support	No
Network Interface:	Ethernet 10 Base-T/100BaseTX, Giga Ethernet IEEE 1394, Wireless LAN (802.11b)
Protocol:	Network: TCP/IP Sending E-mail: SMTP, POP3 Scan to Folder: SMB, FTP, NCP
File Format	TIFF (Multi/Single), JPEG, PDF (Multi/Single)
Scan Type	Default: BW TEXT Support: BW OCR, BW Text/Photo, BW Photo, BW Grayscale,
Image Density	Auto Density Selection Manual: 7 levels
SADF / Batch Mode:	Yes
Mixed Size Mode:	No

Scan to E-mail

Requirement:	SMTP Gateway and TCP/IP	
Authorization	SMTP POP before SMTP	
Resolution:	100dpi, 200dpi (Default), 300dpi, 400dpi, 600dpi	
MAX E-mail address# in HDD:	2,000 addresses	
Register Group address in HDD:	Max. 500 addresses Minimum 100 Addresses in One Group Address	
Maintain E-mail address in HDD:	Direct input on operation panel, Web Image Monitor, Smart Net Monitor	
Input of destination E-mail address via soft key:	Possible, Max. 65 destinations per job	
Search E-mail address in HDD:	By name and E-mail address	
LDAP Search:	Yes	
Max. address numbers per send:	Max. 500 addresses per send *1	
Address numbers per send:	Address from HDD address book *1	Max. 500
	Address directly input via soft key *1 *2	Max. 100
	Address looked up via LDAP *1 *2	Max. 100
Attention:	To, cc, bcc	
Subject:	Manual Input	Max. 128 Characters via soft key
	Pre-register by user	24 subjects. Max. 20 Characters per a subject
Body Message:	Manual Input	Max. 80 Characters via soft key
	Pre-register by user	5 body messages. 80 characters x 5 lines per a body message Title name of the body message: Max. 20 characters per a name
	Preset	Message: "This e-mail included attached file sent from xxxx(machine model name)."
E-mail Size (with restriction):	128 - 102,400KB, Default = 2,048KB	
E-mail Size (w/o restriction):	725MB	
File type:	Single Page TIFF/JPEG, Single Page PDF, Multi Page TIFF, Multi Page PDF,	
Program User Setting:	Yes (up to 10 programs)	
Divide and send e-mail:	Yes (By page or size) / No, Default = Yes(By size)	
Resend:	Yes / No, Default = Yes	

*1: Address from HDD address book + Address input via soft key + Address looked up via LDAP = Max.500.

*2: Address directly input via soft key + Address looked up via LDAP = Max. 100.

Product Support Guide

D052 / D053 / D054

Scan to Folder

Protocol Support:	SMB (Server Message Block), FTP (File Transfer Protocol)
Security:	Client folder log-in (log-in name and password) Encryption of log-in name and password during transmission
Resolution:	100dpi, 200dpi (Default), 300dpi, 400dpi, 600dpi
Register client folder address in HDD:	Max. 2,000 folders
Maintain client folder address in HDD:	Direct input on operation panel, WebImageMonitor, SmartNetMonitor
Destination client folder address input via soft key:	Yes SMB: Network path -> User account -> Password FTP: Server -> Network path -> User account -> Password NCP: Network path -> User account -> Password -> Bindery or NDS
Search client folder:	SMB: Browsing directly to the designated folders FTP: By client folder name NCP: Browsing directly to the designated folders
Max. client folder numbers per send:	Max. 50 client folders / PCs per send
Destination Combination:	Please refer to 4.6.4.
Group address:	Max. 100 destinations (To Folder: 50, To E-mail: 100) (*1) e.g. 100 destinations 50 folders included >>>OK 100 destinations 51 folders included>>>Failure
Input Subject:	No
Scan File Size:	No limitation (Depends on PC HDD and memory.)
File Size when combined Scan to Folder & Scan to E-mail:	128 – 102,400kB, Default = 2,048KB (With restriction) 725MB (Without restriction) (Scan to E-mail file size applied).
File type:	Single Page TIFF/JPEG, Single Page PDF, Multi Page TIFF, Multi Page PDF, High-compression PDF
Program User Setting:	Yes (up to 10 programs)
Dividing file in Scan to E-mail:	Yes (By page or size) / No, Default = Yes(By size) (When Scan to PC combine with Scan to E-mail)
Resend:	Yes / No, Default = Yes

(*1) User can send to Max. 100 destinations in the same group. But the number of folders has to be less than 50, since Max. folder destinations are 50. If there are more than 50 folder destinations registered in the Group address, a message pops up.

Maximum Addresses per Send (combination of E-mail and Folder)

	Input via:	Condition 1: Max. addresses can select or input	Condition 2: Max. address allowed in a single operation	Condition 3: Combination of addresses: Max.
Scan to E-mail	Address book	500	500	550
	Manual input	100		
Scan to Folder	Address book	50	50	
	Manual input	50		

The number of destinations which users can input must satisfy all of the above 3 conditions.

Product Support Guide

D052 / D053 / D054

Fax

Circuit:	PSTN, PBX	
Compatibility:	ITU-T (CCITT) G3, Additional G3 (option),	
Resolution:	8 x 3.85 line/mm, 200 x 100dpi (std.), 8 x 7.7 line/mm, 200 x 200dpi (std.), 8 x 15.4 line/mm, 16 x 15.4 line/mm, 400 x 400dpi (with optional SAF memory)	
Compression method:	MH, MR, MMR, JBIG	
Scanning speed (DF Used):	0.5sec.(A4/LT SEF, Standard/Detail mode), 0.5sec.(A4/LT SEF, Super Fine mode) *ITU-T No1 chart, 200 x 100 dpi (Standard mode), 200dpi(Detail mode), 400dpi(Super Fine mode)	
Number of Pages Scanned Per Minutes: (DF Used)	A4/LT SEF	Standard mode: 40 cpm Detail mode: 40 cpm Super Fine mode: 35 cpm
	A4/LT LEF/image rotation	Standard mode: 65 cpm Detail mode: 60 cpm Super Fine mode: 35 cpm
Modem speed:	33.6K – 2,400bps (G3, Standard with Automatic Shift Down) (33600, 31200, 28800, 26400, 24000, 21600, 19200, 16800, 14400, 12000, 9600, 7200, 4800, 2400 bps)	
Transmission speed:	G3: Approx.2 seconds (200x100 dpi, JBIG, ITUT #1 chart TTI off, memory transmission) G3: Approx.3 seconds (200x100dpi, MMR, ITUT #1 chart, TTI off, memory transmission)	
Page Memory Size:	Standard	8MB
	With Optional Memory	16MB
SAF Memory Size:	Standard	4MB (Approx.320 pages)
	With Optional Memory	28MB (Approx. 2,240 pages)
	Option:	32MB SD-RAM (24MB SAF Memory + 8MB Page Memory)
Memory backup:	One hour	
Smoothing:	Standard	
TTI/RTI:	Standard	
CSI:	Standard	
Quick dial/ Speed dial:	Standard: 2,000 numbers	
Group dial:	Standard: 100 groups (500 numbers per 1 group)	
Program:	Standard: 100 numbers	
Redial:	Standard	
Direct fax number entry:	Standard	
Dual access:	Standard	
User Code:	Std. 100 Codes (Max. 500 codes with optional "User Account Enhance Unit")	
Page counter:	Standard	
Auto reduction:	Standard	
Wild cards:	Standard	
Summer time (day light saving time):	No	
ID code programming:	Standard (4 digits)	
Programming by OMR:	No	
User function key:	Standard (3 keys)	
Night timer:	No	
Energy saver:	Standard	
LCD prompt:	Standard	
Remaining memory indication:	Standard	
Clock adjustment:	Standard	
User parameter setting:	Standard	
User data transfer:	Standard	

Product Support Guide

D052 / D053 / D054

Transmission Specification

Immediate transmission:	Standard
Memory transmission:	Standard
Serial broadcasting	Standard (Max. 500 numbers)
Send later:	Standard
Error correction mode:	Standard
Page retransmission:	Standard
Forwarding:	Standard
Image rotation:	Standard
Book fax:	Standard
Closed network (transmission):	Standard
Double sided transmission:	Yes
Transmission reserve:	No

Reception Specification

Automatic reception:	Standard
Manual reception:	Standard
Substitute reception:	Standard
Authorized reception:	Standard
Multi-copy:	Standard
Closed network:	Standard
Reception time printing:	Standard
Center mark:	Standard
Checkered mark:	Standard
Economy printing mode:	No
Duplex reception:	Yes with option

Telephone Specification

Handset / telephone:	Option
Telephone connection:	Standard
Monitor speaker:	Standard
Automatic voice message:	No
On hook dial:	Standard
Tone transmission:	Standard
Pause:	Standard
Pulse/tone selection:	Standard
Chain dialing:	Standard
Reception mode selection:	Standard
Automatic fax/phone change:	No
Reception mode switch over (remote):	No
Answering machine interface:	No
Reception mode switching timer:	Standard
Auto answer delay time:	Standard (SP mode)
Busy tone detection:	Standard
Silent ringing detection:	No

Product Support Guide

D052 / D053 / D054

Internet Fax Basic Specification

Requirement of Mainframe:	G3 fax option is required. Printer Scanner option is required.
Number of Address:	2,000 HDD storage
E-mail Address Input:	From LCD operation panel, Web Image Monitor, Smart Device Monitor for Admin
Attention:	“to” or “bcc” (select only one), max 500 attentions
Destination Combination:	Internet Fax + G3 Fax, Internet Fax to PC + G3 Fax
Network:	LAN: Local Area Network Ethernet/10Base-T, 100Base-TX, IEEE 1394 (IP over 1394), IEEE802.11b (wireless LAN)
Transmit function:	E-mail
Scan line density:	200 x 100 dpi (Standard character), 200 x 200 dpi(Detail character), 200 x 400 dpi (Fine character: optional) *1 , 400 x 400 dpi(Super Fine character: optional) *1
Original size: Scanning width:	A3 *1, B4 *1, A4
Communication Protocols:	Transmission SMTP, TCP/IP Reception POP3, SMTP, IMAP4, TCP/IP
E-mail format:	Single/Multi-part, MIME Conversion Attached file forms: TIFF-F (MH, MR *1, MMR*1 compression)
Authentication method:	SMTP-AUTH, POP before SMTP, A-POP
Internet communication:	Send and receive e-mail with a computer that has an e-mail address
E-mail send functions:	Automatic conversion of sent documents to e-mail format and e-m transmission. Memory transmission only.
E-mail receive functions:	Automatic detection and printing of appended TIFF-F(MH) files and ASCII text. Memory reception only.

*1 Full mode

LAN Fax Basic Specification

Paper Size:	A3, DLT, B4, A4 (default for EU/Asia model), Letter (default for NA model), Legal, B5, A5
Resolution:	-Super Fine (400 x 400 dpi) -Detail (200 x 200 dpi) *default -Standard (200 x 100 dpi)
Gray Scale:	TBD
Number of Address:	500
OS:	TBD
LAN-Fax Editor support language:	1.English, 2.German, 3.French, 4.Italian, 5.Spanish, 6.Dutch, 7.Swedish, 8.Norwegian, 9.Danish, 10.Finnish, 11.Hungarian, 12.Czech, 13.Polish, 14.Portuguese, 15.Russian, 16.Korean, 17.Traditional Chinese, 18.Simplified Chinese Condition: OS need to have the same language.
Memory	Minimum required for each OS
CPU	Minimum required for each OS
HDD	Minimum required for each OS

Product Support Guide

D052 / D053 / D054

IP-Fax Specification

Network:	LAN: Local Area Network Ethernet/10base-T, 100base-TX, IEEE 1394 (IP over 1394), IEEE 802.11b (wireless LAN)
Scan line density:	8 x 3.85 lines/mm, 200 x 100 dpi (Standard character), 8 x 7.7 lines/mm, 200 x 200 dpi (Details character), 8 x 15.4 lines/mm (Fine character: optional expansion memory required), 16 x 15.4 lines/mm, 400 x 400 dpi (Super Fine character: optional expansion memory required)
Original size:	Maximum A3 or 11" x 17" (DLT)
Maximum scanning size:	Standard: A3, 297mm x 432mm, Irregular: 297mm x 1200mm
Transmission protocol:	Recommended: T.38Annex, TCP, UDP/IP communication, SIP(RFC 3261 compliant), H.323 v2
Compatible machines:	IP-Fax compatible machines
IP-Fax transmission function:	Specify an IP address and send faxes to an IP-Fax compatible fax through a network. Also capable of sending faxes from a G3 fax connected to a telephone line via a VoIP gateway.
IP-Fax reception function:	Receive faxes sent from an IP-Fax compatible fax through a network. Also capable of receiving faxes from a G3 fax connected to a telephone line via a VoIP gateway

Document Server

Items	Capability
HDD Capacity	80GB
HDD capacity for Document	37.32 GB
Maximum stored documents	3,000 documents
Maximum pages per documents	2,000 page
Maximum pages of all stored documents	10,000 sheets

Product Support Guide

D052 / D053 / D054

MFP Supported Environments

OS	Type	PCL5e	PCL6	RPCS	PostScript3
Windows 2000	Professional	Y	Y	Y	Y *1
	Server	Y	Y	Y	Y *1
	Advanced Server	Y *2	Y *2	Y *2	Y *1
	Datacenter Server	N	N	N	N
Windows XP	Professional	Y	Y	Y *3	Y *1
	Home Edition	Y	Y	Y *3	Y *1
Windows Server 2003	Standard Edition	Y	Y	Y *2	Y *1
	Enterprise Edition	Y *2	Y *2	Y *2	Y *1
	Datacenter Edition	N	N	N	N
	Web Edition	N	N	N	N
Windows Vista	Home Basic	Y	Y	Y	Y *1
	Home Premium	Y	Y	Y	Y *1
	Business	Y	Y	Y	Y *1
	Ultimate	Y	Y	Y	Y *1
	Enterprise	Y	Y	Y	Y *1

Point & Print

Window OS		Drivers		
Server	Client (push to)	PCL5e/6	RPCS	PS
Windows Server 2003	Vista	Y	Y	Y
	XP	Y	Y	Y
	W2K Pro	Y	Y	Y
Windows XP Professional	Vista	Y	Y	Y
	XP	Y	Y	Y
	W2K Pro	Y	Y	Y
Windows 2000 Professional, Server & Advanced Server	Vista	Y	Y	Y
	XP	Y	Y	Y
	W2K Pro	Y	Y	Y
NT4.0 Workstation & Server (Intel)	Vista	No	No	No
	XP	No	No	No
	W2K Pro	Y	No	No

Product Support Guide

D052 / D053 / D054

Terminal Service & Citrix MetaFrame

Server	Driver		
	PCL5e/6	RPCS	PS
Windows Server 2003	Y	Y	Y
Windows 2000 Server	Y	Y	Y
Win 2003 Servers + MetaFrame	Y	Y	Y
Win 2000 Servers + MetaFrame	Y*1	Y	Y
Win 2003 Servers + Citrix PresentationServer4.0	Y	No	Y
Win 2000 Servers + Citrix PresentationServer4.0	Y	No	Y
Win 2003 Servers + Citrix PresentationServer4.5	Y	No	Y
Win 2000 Servers + Citrix PresentationServer4.5	No	No	No

Product Support Guide

D052 / D053 / D054

Utility Software

Software	Description
For GW Controller Font Manager	This software enables you to use screen fonts.
Smart Device Monitor for Admin	This software enables you to manage and monitor printers and other devices over the network.
DeskTopBinder – SmartDeviceMonitor for Client	This software enables you to access networked printers to print, monitor or to receive notifications. With DeskTopBinder Lite you can connect client computers to I/O devices enabling you to efficiently manage data.
Device Graphic Update Module	Device Graphic Update Module provides bitmap images used to represent the various statuses of devices graphically within Smart Device Monitor or Web Smart Device Monitor. Available on website.
Printer Utility for Mac	This is a utility for Macintosh that provides access to several network printing administrative features.
PS Descriptions	PPD for Mac By interacting with the Adobe PostScript 3 controller in the device, this PPD is able to produce an accurate representation of the screen image.
Mac OS X PPD Installer	This PPD installer is used to install a PPD (Postscript Printer Description) file on Mac OSX. PPD files contain descriptions of printer capabilities such as paper sizes, number of input trays and duplexing. Once the PPD file is installed on the system using the PPD installer, the PS driver that comes bundled with Mac OS X can use the information in the PPD to control the print device and enable full functionality. It supports the Mac OS X 10.1 or later. Please see the Readme file for information about compatibility with versions of Mac OS X.
LAN FAX Driver M10	This software enables you to fax documents directly from your computer. The Address Book Editor and Cover Sheet Editor are installed as well. This software requires the optional fax unit to be installed on the machine. M10 Driver
RPCS Driver	Printer driver for Windows: It is optimized for the Windows GDI. High performance printing can be expected. Regularly used settings can be saved as a "one-click icon" in the driver interface. These settings can be reused easily by clicking the icon.
PCL 6 Driver	Printer driver for B/W printing in Windows. It supports HP PCL XL commands and is optimized for the Windows GDI. High performance printing can be expected.
PCL 5e Driver	Printer driver for printing in Windows. It supports HP PCL 5e commands.
Post Script Driver	By interacting with the Adobe PostScript 3 controller in the device, this driver is able to produce an accurate representation of the screen image.
GW Controller Network TWAIN Driver	TWAIN scanner driver for network connections with new features Combine/Series, compatible with SNMP V3and Network Connection Tool.

Product Support Guide

D052 / D053 / D054

Print Driver Information

Features	PCL 5e/ 6	RPCS	PostScript3		
			Windows 2000/XP/Vist a	Mac OS 8.6-9.2	Mac OSX
Send to Job Binding	Y	Y	N	N	N
Send to Document Server	Y	Y	Y	Y	Y*1
Sample Print	Y	Y	Y	Y	Y*1
Locked Print	Y	Y	Y	Y	Y*1
Hold Print	Y	Y	Y	Y	Y*1
Stored Print	Y	Y	Y	Y	Y*1
Stored Print (Shared)	Y	Y	N	N	N
Store and Print	Y	Y	Y	Y	Y*1
Store and Print (Shared)	Y	Y	N	N	N
Reduce/Enlarge (Zoom/Scaling)	Y*2	Y	Y	Y	Y
Fit to Paper size	Y	Y	Y	Y	Y
Unauthorized Copy Control	N	Y	N	N	N
Layout (N-up)	Y	Y	Y	Y	Y
Poster	N	Y	N	Y	N
Duplex	Y	Y	Y	Y	Y
Booklet1	N	Y	N	N	N
Booklet2 (Magazine)	Y	Y	Y	N	N
Non-Reduction Booklet	Y	Y	N	N	N
Watermark	Y	Y	Y	Y	Y
Overlay	N	Y	N	N	N
Header/Footer	N	Y	N	N	N
Adjust image position	N	Y	N	N	N
Binding Margins	N	Y	N	N	N
Shift Image to Edge/Corner	N	Y	N	N	N
Creep for Booklet 2	N	Y	N	N	N
Imposition Setting (Speed, double)	N	Y	N	N	N
Crop Mark	N	Y	N	N	N
Collate	Y	Y	Y	Y	Y
Punch	Y	Y	Y	Y	Y
Staple	Y	Y	Y	Y	Y
Z-Folding	Y	Y	Y	Y	Y
Cover sheet (Front Cover)	Y	Y	N	N	N
Back Cover	Y	Y	N	N	N
Front and Back Cover	Y	Y	N	N	N
Slip Sheet	Y	Y	N	N	N
Chaptering	Y	Y	N	N	N
Designated Sheet Print	N	Y	N	N	N
Tab Shift Printing	Y	Y	N	N	N
Rotate by 180 degrees	Y	Y	Y	N	N
Reverse Order Print	N	Y	Y	Y	Y
Do not print Blank pages	Y*3	Y	N	N	N
Dithering	Y	Y	Y	Y	Y
Edge Smoothing	Y	Y	Y	Y	Y
Toner Saving	Y	Y	Y	Y	Y

Product Support Guide

D052 / D053 / D054

Features	PCL 5e/ 6	RPCS	PostScript3		
			Windows 2000/XP/Vist a	Mac OS 8.6-9.2	Mac OSX
Quality	N	Y	N	N	N
Speed	N	Y	N	N	N
User ID	Y	Y	Y	Y	Y*1
User Code	Y	Y	Y	Y	Y*1
User Authentication	Y	Y	N	N	N
Encryption/Encoding	Y	Y	N	N	N
User Defined Pages	Y	N	N	N	N
Mirror Image Print	N	N	Y	Y	N
Negative Image Print	N	N	Y	Y	N
Edge to Edge Print	Y	Y	Y	Y	Y
Limitation setting	Y	Y	N	N	N

Y: supported

N: not supported

*1: Available with MAC OS X 10.2 or later

*2: "Centering" feature cannot be selected from PCL driver. However PCL has this feature as the original function. When printing with Reduce/Enlarge (Zoom) feature of PCL driver, output is automatically centered by PCL original centering function.

*3: This feature cannot be selected from printer driver. This is enabled by PCL Menu in the User Tool, which is access from MFP main unit.

Product Support Guide

D052 / D053 / D054

Counters

Total Counter Access

- User Tools / Counter → Total Counter
- User Tools / Counter → System Settings → Administrator Tools → Display / Print Counter

Total Counter Information

Physical Meter

- Name: Total
- Description: Total Prints/Copies
- Number of digits: 7
- Location: Inside front cover, lower right hand corner, covered.

User Tools / Counter → Counter

- Name: Total Counter
- Description: Total Prints/Copies
- Number of digits: 8

User Tools / Counter → System Settings → Administrator Tools → Display / Print Counter

Name: Total
Description: Total Prints/Copies
Number of digits: 8

Name: Copier
Description: Total Copies
Number of digits: 8

Name: A3/DLT
Description: Total DLT Copies/Prints
Number of digits: 8

Name: Printer
Description: Total Prints
Number of digits: 8

Name: Duplex
Description: Total Duplex Copies/Prints
Number of digits: 8

Name: Scanner Send
Description: Total Scanned Copies/Prints
Number of digits: 8

Product Support Guide

D052 / D053 / D054

Paper

Recommended Throughput Material and Special Paper

Not Applicable

Non Recommended Throughput Material

Refer to pages in the Operators Instructions Hardware Guide.

Do not use any of the following kinds of paper or a fault might occur:

- Aluminum Foil, Carbon paper,
- Conductive paper
- Paper meant for an inkjet printer
- Bent, folded, or creased paper
- Torn paper
- Thermal fax paper
- Art paper
- Paper with perforated lines
- Hemmed-edge paper
- Tab stock
- Slippery paper
- Perforated paper
- Rough paper
- Thin paper with little stiffness
- Paper with a dusty surface

Firmware Information

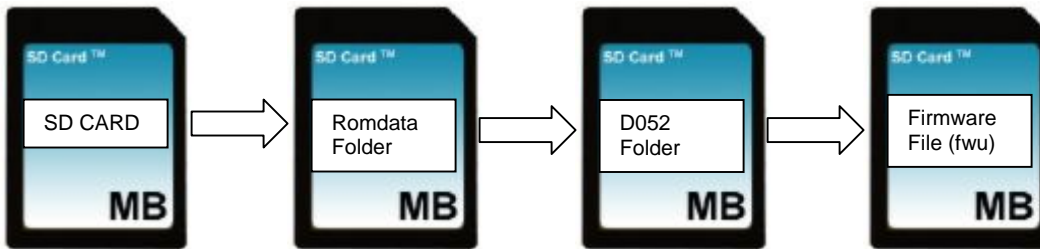
Firmware SD Card	Firmware Type	Firmware File Name as Posted
ADF Document Feeder	ADF	B246_D052 ADF vxxx SDcard.zip
Engine	Engine	D052 Engine vxxx SDcard.zip *
Fax	Fax	B246_D052 Fax vxxx SDcard.zip
Font EXP	Font EXP	B246_D052 Font EXP vxxx SDcard.zip
GWFCU3-f (WW)	FCU	B246_D052 Fcu vxxx SDcard.zip
Language Install	Language Install	B246_D052 Language vxxx SDcard.zip
Network DocBox	Net File	B246_D052 NetFile Netdocbox vxxx SDcard.zip
Network Support	Network Support	B246_D052 Network Support vxxx SDcard.zip
OpePanel.EXP	LCDC	B246_D052 Opepanel Lcdc vxxx SDcard.zip
Option PCL	Option PCL	B246_D052 Option PCL vxxx SDcard.zip
Option PCL Font	Option PCL Font	B246_D052 Option PCL font vxxx SDcard.zip
Printer	Printer	D052 Printer vxxx SDcard.zip *
PS3 Font	PS3 Font	B246_D052 PS3 font vxxx SDcard.zip
PS3/PDF	PS3/PDF	B246_D052 PS3 PDF vxxx SDcard.zip
Remote Fax	Rfax	B246_D052 Rfax vxxx SDcard.zip
Scanner	Scanner	D052 Scanner vxxx SDcard.zip *
System/Copy	System/Copy	B246_D052 System vxxx SDcard.zip
Web Support	Web Support	B246_D052 Web Support vxxx SDcard.zip
Web Uapl	Web Uapl	B246_D052 Web Uapl vxxx SDcard.zip

***Important Note:** All the firmware for the D052 and B246 Series (**except Engine and Printer/Scanner**) are the same. The SD card folder structure, whether it's named D052 or B246, and their files, will be selectively recognized by either series.

Product Support Guide

D052 / D053 / D054

SD Card Arrangement



Contact Information

Name	Contact
Technical Services Call Center (Hotline)	Ricoh: (800) 537-4264 Savin/Gestetner: (800) 291-6044 Lanier: (800) 333-3147
Application Help Desk (Software Issues)	Ricoh Phone Card: 2 Call - 000781MIU, 5 Call - 000900MIU Savin Phone Card: 2 Call - 12992, 5 Call - 12993 Gestetner Phone Card: 2 Call - 12994, 5 Call - 12995
National Reclamation Center	(800) 557-4264 http://www.nrc-usa.com
Technology Solutions Center Web Site	http://www.tscweb.net
Configurator	http://www.connectivity-cafe.com
Ricoh Web Site	http://www.ricoh-usa.com/
Savin iLINC Web Site	http://www.savin.com
Headquarter Web Sites	Ricoh Corporation: http://www.ricoh-usa.com Savin Corporation: http://www.savin.com Gestetner Corporation: http://www.gestetnerusa.com/ Lanier Corporation: http://www.lanier.com
Material Safety Data Sheets	(800) 336-MSDS (6737)
Ricoh University	973.882.2200 http://www.ricohuniversity.com

Training Information

Instructor-Led Training (ILT) / Blended Learning Part II – The current instructor-led training program (B246 Series) will be updated to include the (D052 Series) information. This five-day course will be revised so that the (D052 Series) models are the lead products to be emphasized during the course. All significant differences between the two models will also be covered during the course. The official name of the course will be D052 Series Blended Learning Part II.

Product Support Guide

D052 / D053 / D054

Documentation

Description	EDP Code	RFG E-Source Number
Service Manual	-	rfg005543
Point to Point	-	rfg023648
Parts Catalog	-	rfg031130
D052 Blended Learning Part I* (CBT)	002710miu	-

*Completion of this course is a mandatory requirement for enrollment in the D052 Blended learning part II / Instructor-led course.

Please refer to the <http://www.ricohuniversity.com/> web site for the most up to date training information.

Please be aware to once a model or series is out of production, the Field Service Manual, Technical Service Bulletins and Ricoh University should be referenced for the most current information. Check the TSC website and e-source.

Product Support Guide

D052 / D053 / D054

Revisions

1.0 Original

1.1 Minor font updates to training pages 39 & 40.

1.2 Note added to firmware information page 38.

1.3 Corrected firmware information page 38, removed SR4010 and SR5000.

1.4 Changed important note and file names on page 38. Added Printer Scanner bundles to page 3.

1.5 Removed DDST Driver information on page 34.