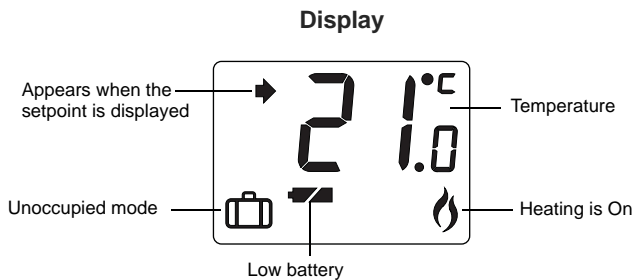
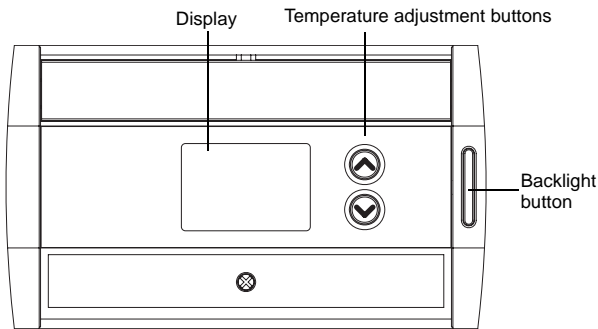


1 Introduction

The TH147E and TH148ELE thermostats can be used to control:

- a forced air system - 2 or 3 wires
- a hot water system with or without pump - 2 wires
- a millivolt system - 2 wires



2 Installation

IN ORDER TO AVOID ANY RISK OF ELECTRIC SHOCK, CUT POWER TO THE HEATING SYSTEM.

Note: The installation must be performed by an electrician.

2.1 Guidelines

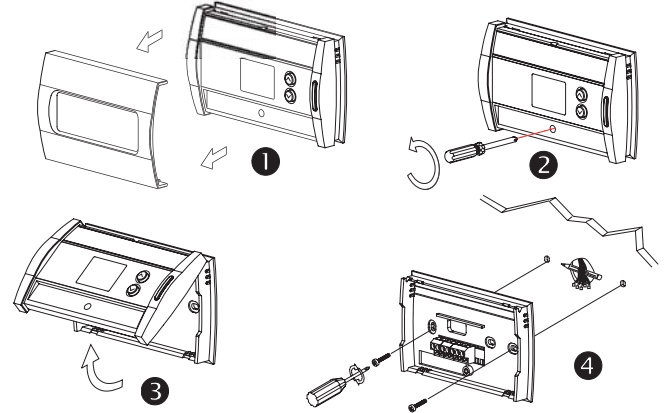
After removing the old thermostat:

- Identify and label each wire (with the corresponding letter on the wire terminal) before removing them from the terminals.
- If necessary, strip the end of each wire (maximum of 6 mm).

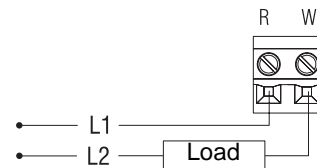
For a new installation:

- Choose a location approximately 1.5 m above the floor and on an inside wall.
- Avoid draughty areas (top of staircase, air outlet, etc.), dead air spots (behind doors), direct sunlight or areas near concealed pipes or chimneys.

2.2 Mounting the thermostat



2.3 Connecting the Heating System

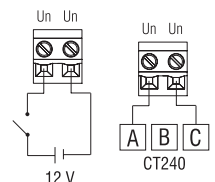


NOTE:
No polarity to observe.

2.4 Unoccupied Mode Input (TH148ELE only)

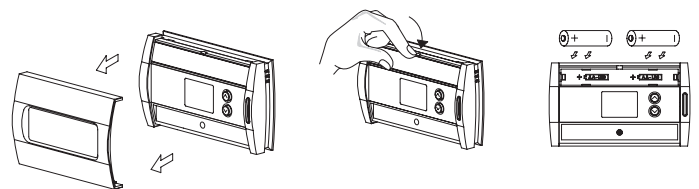
TH148ELE has an input that can be used to lower the temperature when the house is unoccupied. You can connect an Aube's CT240 telephone controller (optional) or another remote control system.

When the thermostat receives a 12-VDC signal, it switches to the unoccupied mode where the setpoint programmed for that mode is used (see section 4). When the signal is removed, the thermostat returns to the previous mode.



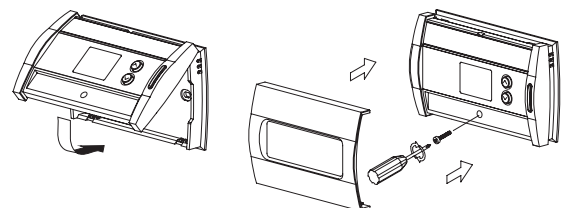
NOTE: No polarity to observe.

2.5 Installing the Batteries



Right after the batteries are installed, the thermostat performs a series of tests for approximately 5 seconds.

2.6 Completing the Installation


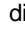


3 Operation

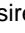
3.1 Backlight

The display illuminates for 12 seconds when the backlight button or any other button is pressed.


3.2 Displaying the Temperature

The actual (measured) temperature is normally displayed. To view the setpoint temperature, press once on either of the  buttons. The setpoint, along with the  icon, will be displayed for the next 5 seconds.


3.3 Setting the Temperature

Press one of the  buttons until the desired temperature is displayed.

3.4 Unoccupied Mode (TH148ELE only)

To place the thermostat in unoccupied mode, see section 2.4. When the thermostat is in this mode, the unoccupied mode setpoint is used (see section 4) and the  icon is displayed.

Temporary Bypass

If you modify the setpoint temperature when the thermostat is in unoccupied mode, the new setpoint will be used for the next 2 hours. Afterwards, the thermostat will return to the unoccupied mode setpoint. The  icon flashes during the bypass.


3.5 Low-battery Indicator

An icon appears when the batteries need replacement. This icon will flash for 60 days, afterwards the thermostat will cut power to the heating system. The icon disappears once the batteries are replaced.



Note: The setpoint temperature is unaffected when the batteries are removed from the thermostat.

4 Configuration

- 1 Press the backlight button until the configuration menu appears (3 seconds).
- 2 To go to the next parameter (menu item), press the backlight button (1 second).
- 3 To modify a parameter, press .
- 4 Repeat steps 2 and 3 if necessary.
- 5 To end, press the backlight button until the configuration menu disappears (3 seconds).

DESCRIPTION	DEFAULT	SELECTIONS
Pump protection ¹	Off	On or Off
Unoccupied mode temperature ² (TH148ELE only)	10°C	5°C to 28°C
Number of cycles per hour ³	4	2, 3, 4, 5 or 6

¹ When pump protection is On, the thermostat will activate the heating system for 15 seconds if it has not been activated for the past 24 hours.

² See section 3.4.

³ The corresponding cycle lengths are: 2=30 min., 3=20 min., 4=15 min., 5=12 min., 6=10 min. The corresponding cycle lengths are: 2=30 min., 3=20 min., 4=15 min., 5=12 min., 6=10 min. Select the cycle according to the type of heating: gas boiler <30kW: 10 minutes; oil boiler: 20 minutes

5 Technical Specifications

Power supply: 2 LR6 (1.5V) Alkaline batteries

Maximum load: 5 A (resistive), 0.95 A (inductive) @ 240 VAC

Power across UN terminals: 20 mA @ 12 VDC

Setpoint range: 5 to 28°C

Display range: -10 to 50°C

Display resolution: 0.5°C

Accuracy: ± 0.5°C

Cycle length: 10, 12, 15, 20 or 30 minutes (programmable)

Conformity: IEC60730-1

Storage temperature: -20 to 50°C

Dimensions: 127 mm x 75 mm x 28 mm

Warranty

Aube warrants this product, excluding battery, to be free from defects in the workmanship or materials, under normal use and service, for a period of three (3) years from the date of purchase by the consumer. If at any time during the warranty period the product is determined to be defective or malfunctions, Aube shall repair or replace it (at Aube's option).

If the product is defective,

- (i) return it, with a bill of sale or other dated proof of purchase, to the place from which you purchased it, or
- (ii) call Aube Technical Support at 33 (0) 1 34 07 99 00. Technical Support will make the determination whether the product should be returned to the following address: 10 rue Ampère, 95500 Gonesse, France, or whether a replacement product can be sent to you.

This warranty does not cover removal or reinstallation costs. This warranty shall not apply if it is shown by Aube that the defect or malfunction was caused by damage which occurred while the product was in the possession of a consumer.

Aube's sole responsibility shall be to repair or replace the product within the terms stated above. AUBE SHALL NOT BE LIABLE FOR ANY LOSS OR DAMAGE OF ANY KIND, INCLUDING ANY INCIDENTAL OR CONSEQUENTIAL DAMAGES RESULTING, DIRECTLY OR INDIRECTLY, FROM ANY BREACH OF ANY WARRANTY, EXPRESS OR IMPLIED, OR ANY OTHER FAILURE OF THIS PRODUCT. Some regions do not allow the exclusion or limitation of incidental or consequential damages, so this limitation may not apply to you.

THIS WARRANTY IS THE ONLY EXPRESS WARRANTY AUBE MAKES ON THIS PRODUCT. THE DURATION OF ANY IMPLIED WARRANTIES, INCLUDING THE WARRANTIES OF MERCHANTABILITY AND FITNESS FOR A PARTICULAR PURPOSE, IS HEREBY LIMITED TO THE THREE-YEAR DURATION OF THIS WARRANTY. Some regions do not allow limitations on how long an implied warranty lasts, so the above limitation may not apply to you.

This warranty gives you specific legal rights, and you may have other rights which vary from region to region.

If you have any questions concerning this warranty, please write Aube, 705 Montrichard, Saint-Jean-sur-Richelieu, Quebec J2X 5K8 Canada.

Technical Assistance

For any questions regarding the product installation or operation, contact our technical support team at

Tel.: 33 (0) 1 34 07 99 00

Fax: 33 (0) 1 34 07 99 19

Email: advaube@comintes.com

For more information on our products, visit us at
www.aubetech.com