



Finishing Sander

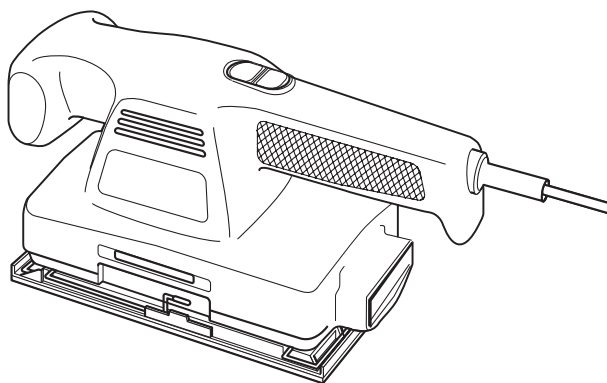
INSTRUCTION MANUAL

THANK YOU FOR CHOOSING BLACK & DECKER!
GO TO WWW.BLACKANDDECKER.COM/NEWOWNER
TO REGISTER YOUR NEW PRODUCT.

**BEFORE RETURNING THIS PRODUCT
FOR ANY REASON PLEASE CALL
1-800-544-6986**

BEFORE YOU CALL, HAVE THE CATALOG No. AND DATE CODE AVAILABLE. IN MOST CASES, A **BLACK & DECKER** REPRESENTATIVE CAN RESOLVE THE PROBLEM OVER THE PHONE. IF YOU HAVE A SUGGESTION OR COMMENT, GIVE US A CALL. YOUR FEEDBACK IS VITAL TO BLACK & DECKER.

**Catalog Number
7558**



SAVE THIS MANUAL FOR FUTURE REFERENCE.

VEA EL ESPAÑOL EN LA CONTRAPORTADA.

INSTRUCTIVO DE OPERACIÓN, CENTROS DE SERVICIO Y PÓLIZA DE GARANTÍA.
ADVERTENCIA: LÉASE ESTE INSTRUCTIVO ANTES DE USAR EL PRODUCTO.

SAFETY GUIDELINES - DEFINITIONS

It is important for you to read and understand this manual. The information it contains relates to protecting YOUR SAFETY and PREVENTING PROBLEMS. The symbols below are used to help you recognize this information.

⚠ DANGER: Indicates an imminently hazardous situation which, if not avoided, will result in death or serious injury.

⚠ WARNING: Indicates a potentially hazardous situation which, if not avoided, could result in death or serious injury.

⚠ CAUTION: Indicates a potentially hazardous situation which, if not avoided, may result in minor or moderate injury.

NOTICE: Used without the safety alert symbol indicates potentially hazardous situation which, if not avoided, may result in property damage.

General Safety Rules

⚠ WARNING: Read all safety warnings and all instructions.
Failure to follow the warnings and instructions may result in electric shock, fire and/or serious injury.

SAVE ALL WARNINGS AND INSTRUCTIONS FOR FUTURE REFERENCE

The term "power tool" in the warnings refers to your mains-operated (corded) power tool or battery-operated (cordless) power tool.

1) WORK AREA SAFETY

- a) **Keep work area clean and well lit.** *Cluttered or dark areas invite accidents.*
- b) **Do not operate power tools in explosive atmospheres, such as in the presence of flammable liquids, gases or dust.** *Power tools create sparks which may ignite the dust or fumes.*
- c) **Keep children and bystanders away while operating a power tool.**
Distractions can cause you to lose control.

2) ELECTRICAL SAFETY

- a) **Power tool plugs must match the outlet. Never modify the plug in any way. Do not use any adapter plugs with earthed (grounded) power tools.** *Unmodified plugs and matching outlets will reduce risk of electric shock.*
- b) **Avoid body contact with earthed or grounded surfaces such as pipes, radiators, ranges and refrigerators.** *There is an increased risk of electric shock if your body is earthed or grounded.*
- c) **Do not expose power tools to rain or wet conditions.** *Water entering a power tool will increase the risk of electric shock.*
- d) **Do not abuse the cord. Never use the cord for carrying, pulling or unplugging the power tool. Keep cord away from heat, oil, sharp edges or moving parts.** *Damaged or entangled cords increase the risk of electric shock.*
- e) **When operating a power tool outdoors, use an extension cord suitable for outdoor use.** *Use of a cord suitable for outdoor use reduces the risk of electric shock.*
- f) **If operating a power tool in a damp location is unavoidable, use a ground fault circuit interrupter (GFCI) protected supply.** *Use of a GFCI reduces the risk of electric shock.*

3) PERSONAL SAFETY

- a) **Stay alert, watch what you are doing and use common sense when operating a power tool. Do not use a power tool while you are tired or under the influence of drugs, alcohol or medication.** *A moment of inattention while operating power tools may result in serious personal injury.*
- b) **Use personal protective equipment. Always wear eye protection.** *Protective equipment such as dust mask, nonskid safety shoes, hard hat, or hearing protection used for appropriate conditions will reduce personal injuries.*
- c) **Prevent unintentional starting. Ensure the switch is in the off position before connecting to power source and/ or battery pack, picking up or carrying the tool.** *Carrying power tools with your finger on the switch or energizing power tools that have the switch on invites accidents.*

- d) Remove any adjusting key or wrench before turning the power tool on. A wrench or a key left attached to a rotating part of the power tool may result in personal injury.
- e) Do not overreach. Keep proper footing and balance at all times. This enables better control of the power tool in unexpected situations.
- f) Dress properly. Do not wear loose clothing or jewelry. Keep your hair, clothing and gloves away from moving parts. Loose clothes, jewelry or long hair can be caught in moving parts.
- g) If devices are provided for the connection of dust extraction and collection facilities, ensure these are connected and properly used. Use of dust collection can reduce dust-related hazards.

4) POWER TOOL USE AND CARE

- a) Do not force the power tool. Use the correct power tool for your application. The correct power tool will do the job better and safer at the rate for which it was designed.
- b) Do not use the power tool if the switch does not turn it on and off. Any power tool that cannot be controlled with the switch is dangerous and must be repaired.
- c) Disconnect the plug from the power source and/or the battery pack from the power tool before making any adjustments, changing accessories, or storing power tools. Such preventive safety measures reduce the risk of starting the power tool accidentally.
- d) Store idle power tools out of the reach of children and do not allow persons unfamiliar with the power tool or these instructions to operate the power tool. Power tools are dangerous in the hands of untrained users.
- e) Maintain power tools. Check for misalignment or binding of moving parts, breakage of parts and any other condition that may affect the power tool's operation. If damaged, have the power tool repaired before use. Many accidents are caused by poorly maintained power tools.
- f) Keep cutting tools sharp and clean. Properly maintained cutting tools with sharp cutting edges are less likely to bind and are easier to control.
- g) Use the power tool, accessories and tool bits, etc. in accordance with these instructions, taking into account the working conditions and the work to be performed. Use of the power tool for operations different from those intended could result in a hazardous situation.

5) SERVICE

- a) Have your power tool serviced by a qualified repair person using only identical replacement parts. This will ensure that the safety of the power tool is maintained.

Specific Safety Rules

- Hold power tool by insulated gripping surfaces, when performing an operation where the cutting accessory may contact hidden wiring. Cutting accessory contacting a "live" wire may make exposed metal parts of the power tool "live" and could give the operator an electric shock.
- Always hold tool firmly with both hands and only operate when hand held.
- Use clamps or another practical way to secure and support the work piece to a stable platform. Holding the work by hand or against your body leaves it unstable and may lead to loss of control.

⚠ WARNING: ALWAYS use safety glasses. Everyday eyeglasses are NOT safety glasses. Also use face or dust mask if operation is dusty. ALWAYS WEAR CERTIFIED SAFETY EQUIPMENT:

- ANSI Z87.1 eye protection (CAN/CSA Z94.3),
- ANSI S12.6 (S3.19) hearing protection,
- NIOSH/OSHA respiratory protection.

⚠ WARNING: Some dust created by power sanding, sawing, grinding, drilling, and other construction activities contains chemicals known to cause cancer, birth defects or other reproductive harm. Some examples of these chemicals are:

- lead from lead-based paints,
- crystalline silica from bricks and cement and other masonry products, and
- arsenic and chromium from chemically-treated lumber (CCA).

Your risk from these exposures varies, depending on how often you do this type of work. To reduce your exposure to these chemicals: work in a well ventilated area, and work with approved safety equipment, such as those dust masks that are specially designed to filter out microscopic particles.

- **Avoid prolonged contact with dust from power sanding, sawing, grinding, drilling, and other construction activities. Wear protective clothing and wash exposed areas with soap and water.** Allowing dust to get into your mouth, eyes, or lay on the skin may promote absorption of harmful chemicals.

⚠ WARNING: Use of this tool can generate and/or disperse dust, which may cause serious and permanent respiratory or other injury. Always use NIOSH/ OSHA approved respiratory protection appropriate for the dust exposure. Direct particles away from face and body.

⚠ CAUTION: Wear appropriate hearing protection during use. Under some conditions and duration of use, noise from this product may contribute to hearing loss.

The label on your tool may include the following symbols.

- | | | | |
|--------------|--|----------------------|---------------------|
| V | volts | A | amperes |
| Hz | hertz | W | watts |
| min..... | minutes | ~ | alternating current |
| === | direct current | n _o | no load speed |
| ☐ | Class II Construction | ⊕ | earthing terminal |
| ⚠ | safety alert symbol | | |
| .../min..... | revolutions or reciprocations per minute | | |

MOTOR

Be sure your power supply agrees with nameplate marking. 120 Volts AC only means your tool will operate on standard 60 Hz household power. Do not operate AC tools on DC. A rating of 120 volts AC/DC means that your tool will operate on standard 60 Hz AC or DC power. This information is printed on the nameplate. Lower voltage will cause loss of power and can result in over-heating. All Black & Decker tools are factory-tested; if this tool does not operate, check the power supply.

Extension Cords

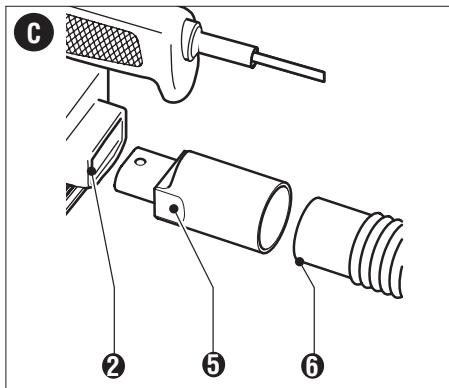
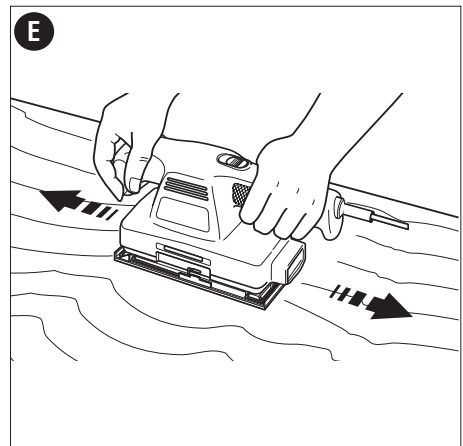
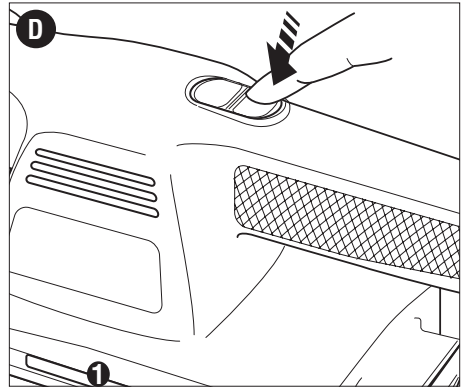
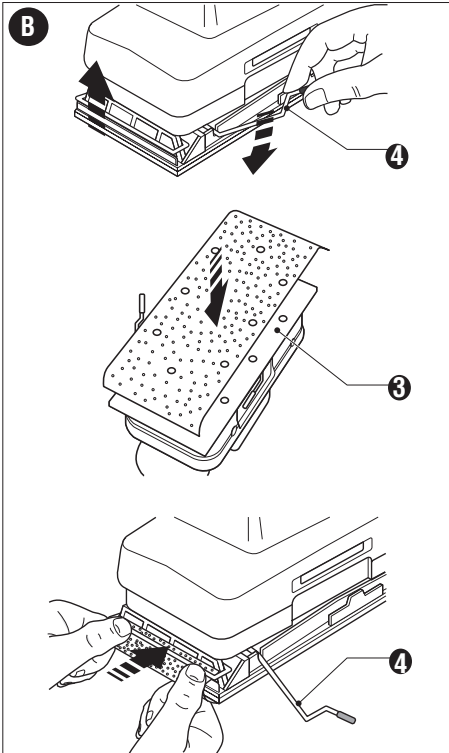
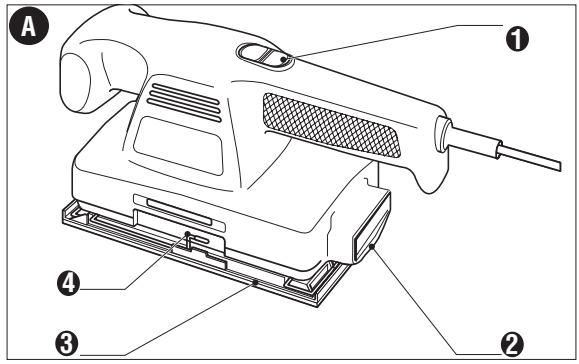
When using an extension cord, be sure to use one heavy enough to carry the current your product will draw. An undersized cord will cause a drop in line voltage resulting in loss of power and overheating. The following table shows the correct size to use depending on cord length and nameplate ampere rating. If in doubt, use the next heavier gage. The smaller the gage number, the heavier the cord.

SAVE THESE INSTRUCTIONS

Volts	Minimum Gage for Cord Sets			
	Total Length of Cord in Feet			
120V	0-25	26-50	51-100	101-150
	(0-7,6m)	(7,6-15,2m)	(15,2-30,4m)	(30,4-45,7m)
240V	0-50	51-100	101-200	201-300
	(0-15,2m)	(15,2-30,4m)	(30,4-60,9m)	(60,9-91,4m)
Ampere Rating		American Wire Gage		
More Than	Not more Than			
0 - 6	18	16	16	14
6 - 10	18	16	14	12
10 - 12	16	16	14	12
12 - 16	14	12	Not Recommended	

Functional Description

1. On/off switch
2. Dust extraction outlet
3. Sanding base
4. Paper clamp lever



⚠ Safety Warnings and Instructions: Sanders

- **ALWAYS USE PROPER EYE AND RESPIRATORY PROTECTION.**
- Clean your tool out periodically.
- Before using the tool on metal workpieces or workpieces containing metal, make sure to remove the dust bag.
- Wear gloves when working with metal workpieces.

⚠ Other Important Safety Warnings and Instructions

SANDING

LEAD BASE PAINT

Sanding of lead based paint is **NOT RECOMMENDED** due to the difficulty of controlling the contaminated dust. The greatest danger of lead poisoning is to children and pregnant women.

Since it is difficult to identify whether or not a paint contains lead without a chemical analysis, we recommend the following precautions when sanding any paint:

PERSONAL SAFETY

- No children or pregnant women should enter the work area where the paint sanding is being done until all clean up is completed.
- A dust mask or respirator should be worn by all persons entering the work area. The filter should be replaced daily or whenever the wearer has difficulty breathing.
NOTE: Only those dust masks suitable for working with lead paint dust and fumes should be used. Ordinary painting masks do not offer this protection. See your local hardware dealer for the proper (NIOSH approved) mask.
- **NO EATING, DRINKING or SMOKING** should be done in the work area to prevent ingesting contaminated paint particles. Workers should wash and clean up **BEFORE** eating, drinking or smoking. Articles of food, drink, or smoking should not be left in the work area where dust would settle on them.

ENVIRONMENTAL SAFETY

- Paint should be removed in such a manner as to minimize the amount of dust generated.
- Areas where paint removal is occurring should be sealed with plastic sheeting of 4 mils thickness.
- Sanding should be done in a manner to reduce tracking of paint dust outside the work area.

CLEANING AND DISPOSAL

- All surfaces in the work area should be vacuumed and thoroughly cleaned daily for the duration of the sanding project. Vacuum filter bags should be changed frequently.
- Plastic drop cloths should be gathered up and disposed of along with any dust chips or other removal debris. They should be placed in sealed refuse receptacles and disposed of through regular trash pick-up procedures. During clean up, children and pregnant women should be kept away from the immediate work area.
- All toys, washable furniture and utensils used by children should be washed thoroughly before being used again.

ASSEMBLY

⚠ WARNING: To prevent accidental operation, turn off and unplug tool before performing the following operations. Failure to do this could result in serious personal injury.

FITTING SANDING SHEETS (FIG. B)

- NOTE: Never use the tool without a sanding sheet or accessory in place.
- Soften the sanding sheet by rubbing its non-abrasive side over the edge of a work top.
- Press the paper clamp levers (4) upwards to release them from the retaining grooves and open the paper clamps by pressing them down.
- Place the sheet onto the sanding base, making sure that the holes in the sheet (if applicable) line up with the holes in the base.
- Insert the edge of the sanding sheet into the front paper clamp as shown.
- Press the front paper clamp lever (4) up and locate it in the retaining groove.
- While keeping a slight tension on the sheet, insert the rear edge of the sheet into the rear paper clamp.
- Press the rear paper clamp lever (4) up and locate it in the retaining groove.

CONNECTING A VACUUM CLEANER (FIG. C)

- Insert the adaptor (5) into the dust extraction outlet (2).
- Connect the hose (6) of the vacuum cleaner (not included) to the adaptor.

OPERATION

SWITCHING ON AND OFF (FIG. D)

- To switch the tool on, press the front part (I) of the on/off switch (1).
- To switch the tool off, press the rear part (O) of the on/off switch (1).

HINTS FOR OPTIMUM USE

- Always hold the tool with two hands as shown in figure E.
- Do not exert too much pressure on the tool.
- Regularly check the condition of the sanding sheet. Replace when necessary.
- Always sand with the grain of the wood.
- Always start your sander before it is in contact with the workpiece and do not switch it off until after it has been lifted from the workpiece.
- Where possible, clamp the workpiece to a work bench or similar sturdy surface.
- When sanding new layers of paint before applying another layer, use extra fine grit.
- On very uneven surfaces, or when removing layers of paint, start with a coarse grit. On other surfaces, start with a medium grit. In both cases, gradually change to a fine grit for a smooth finish.

DUST COLLECTION

⚠ WARNING: Fire hazard. Collected sanding dust from sanding surface coatings (polyurethane, linseed oil, etc.) can self-ignite and cause fire. To reduce risk, strictly follow sander manual and coating manufacturer's instructions.

⚠ WARNING: Fire hazard. When sanding wood that could contain nails or when sanding metal surfaces, do not use a vacuum cleaner because sparks are generated. Use safety glasses and a dust mask. Due to the danger of fire, do not use your sander to sand magnesium surfaces. Do not use for wet sanding.

Tool Care And Maintenance

Never apply excessive force when you use your sander. Too much force can result in an overload and cause damage to the motor or the workpiece. Always keep the air cooling vents clear. To clean your finishing sander, proceed as follows:

⚠ WARNING: To prevent accidental operation, turn off and unplug sander before performing the following operations. Failure to do this could result in serious personal injury.

- Use a clean dry paint brush to clear vents and ducts.
- Clean the housings using a clean damp cloth (do not use solvents, gas or turpentine.)

IMPORTANT: To assure product SAFETY and RELIABILITY, repairs, maintenance and adjustment should be performed by authorized service centers or other qualified service personnel, always using identical replacement parts.

ACCESSORIES

Recommended accessories for use with your tool are available at extra cost from your local dealer or authorized service center. If you need assistance in locating any accessory for your tool, please call **1-800-54-HOW-TO (544-6986)**.

⚠ CAUTION: The use of any other accessory not recommended for use with this tool could be hazardous.

TROUBLESHOOTING

Problem	Possible Cause	Possible Solution
• Unit will not start.	• Cord not plugged in.	• Plug tool into a working outlet.
	• Circuit fuse is blown.	• Replace circuit fuse. (If the product repeatedly causes the circuit fuse to blow, discontinue use immediately and have it serviced at a Black & Decker service center or authorized servicer.)
	• Circuit breaker is tripped.	• Reset circuit breaker. (If the product repeatedly causes the circuit breaker to trip, discontinue use immediately and have it serviced at a Black & Decker service center or authorized servicer.)
	• Cord or switch is damaged.	• Have cord or switch replaced at Black & Decker Service Center or Authorized Servicer.

For assistance with your product, visit our website **www.blackanddecker.com** for the location of the service center nearest you or call the BLACK & DECKER help line at **1-800-544-6986**.

SERVICE INFORMATION

Black & Decker offers a full network of company-owned and authorized service locations throughout North America. All Black & Decker Service Centers are staffed with trained personnel to provide customers with efficient and reliable power tool service.

Whether you need technical advice, repair, or genuine factory replacement parts, contact the Black & Decker location nearest you. To find your local service location, refer to the yellow pages directory under "Tools—Electric" or call: **1-800-54-HOW-TO (544-6986)**.

FULL TWO-YEAR HOME USE WARRANTY

Black & Decker (U.S.) Inc. warrants this product for two years against any defects in material or workmanship. The defective product will be replaced or repaired at no charge in either of two ways.

The first, which will result in exchanges only, is to return the product to the retailer from whom it was purchased (provided that the store is a participating retailer). Returns should be made within the time period of the retailer's policy for exchanges (usually 30 to 90 days after the sale). Proof of purchase may be required. Please check with the retailer for their specific return policy regarding returns that are beyond the time set for exchanges.

The second option is to take or send the product (prepaid) to a Black & Decker owned or authorized Service Center for repair or replacement at our option. Proof of purchase may be required. Black & Decker owned and authorized Service Centers are listed under "Tools-Electric" in the yellow pages of the phone directory.

This warranty does not apply to accessories. This warranty gives you specific legal rights and you may have other rights which vary from state to state. Should you have any questions, contact the manager of your nearest Black & Decker Service Center. This product is not intended for commercial use.

FREE WARNING LABEL REPLACEMENT: If your warning labels become illegible or are missing, call 1-800-544-6986 for a free replacement.

Imported by
Black & Decker (U.S.) Inc.,
701 E. Joppa Rd.
Towson, MD 21286 U.S.A.



See 'Tools-Electric'
– Yellow Pages –
for Service & Sales





Ponceuse de finition

MODE D'EMPLOI

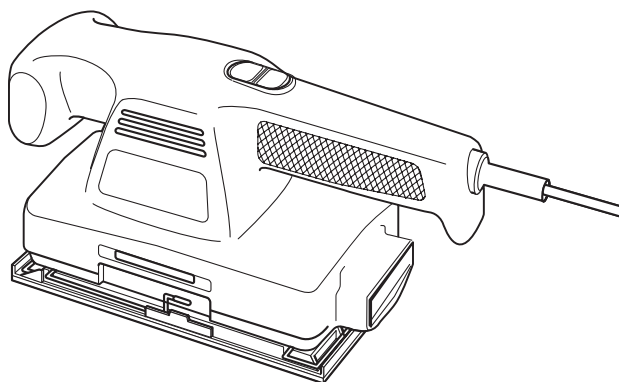
MERCI D'AVOIR CHOISI BLACK & DECKER !
VISITEZ WWW.BLACKANDDECKER.COM/NEWOWNER
POUR ENREGISTRER VOTRE NOUVEAU PRODUIT.

**AVANT DE RETOURNER CE PRODUIT POUR
QUELQUE RAISON QUE CE SOIT, COMPOSER LE
1-800-544-6986**

AVANT D'APPELER, AYEZ EN MAIN LE N° DE CATALOGUE ET LE CODE DE DATE. DANS LA
PLUPART DES CAS, UN REPRÉSENTANT DE BLACK & DECKER PEUT RÉSOUDRE LE PROBLÈME
PAR TÉLÉPHONE. SI VOUS AVEZ UNE SUGGESTION OU UN COMMENTAIRE, APPELEZ-NOUS.

VOS IMPRESSIONS SONT CRUCIALES POUR BLACK & DECKER.

**N° de
catalogue
7558**



CONSERVER CE MANUEL POUR UN USAGE ULTÉRIEUR.

LIGNES DIRECTRICES EN MATIÈRE DE SÉCURITÉ - DÉFINITIONS

Il est important que vous lisiez et compreniez ce mode d'emploi. Les informations qu'il contient concernent VOTRE SÉCURITÉ et visent à ÉVITER TOUT PROBLÈME. Les symboles ci-dessous servent à vous aider à reconnaître cette information.

⚠ DANGER : Indique une situation dangereuse imminente qui, si elle n'est pas évitée, causera la mort ou des graves blessures.

⚠ AVERTISSEMENT : Indique une situation potentiellement dangereuse qui, si elle n'est pas évitée, pourrait causer la mort ou de graves blessures.

⚠ MISE EN GARDE : Indique une situation potentiellement dangereuse qui, si elle n'est pas évitée, pourrait causer des blessures mineures ou modérées.

AVIS : Utilisé sans le symbole d'alerte à la sécurité, indique une situation potentiellement dangereuse qui, si elle n'est pas évitée, peut résulter en des dommages à la propriété.

Avertissements de sécurité généraux pour les outils électriques

⚠ AVERTISSEMENT Lire tous les avertissements de sécurité et toutes les directives. Le non-respect des avertissements et des directives pourrait se solder par un choc électrique, un incendie et/ou une blessure grave.

Conserver tous les avertissements et toutes les directives pour un usage ultérieur.

Le terme «outil électrique» cité dans les avertissements se rapporte à votre outil électrique à alimentation sur secteur (avec fil) ou par piles (sans fil).

1) Sécurité du lieu de travail

- a) **Tenir la zone de travail propre et bien éclairée.** *Les endroits sombres sont souvent des causes d'accidents.*
- b) **Ne pas faire fonctionner d'outils électriques dans un milieu déflagrant, soit en présence de liquides inflammables, de gaz ou de poussière.** *Les outils électriques produisent des étincelles qui peuvent enflammer la poussière ou les vapeurs.*
- c) **Éloigner les enfants et les curieux au moment d'utiliser un outil électrique.** *Une distraction pourrait vous en faire perdre la maîtrise.*

2) Sécurité en matière d'électricité

- a) **Les fiches des outils électriques doivent correspondre à la prise. Ne jamais modifier la fiche en aucune façon.** *Ne jamais utiliser de fiche d'adaptation avec un outil électrique mis à la terre. Le risque de choc électrique sera réduit par l'utilisation de fiches non modifiées correspondant à la prise.*
- b) **Éviter tout contact physique avec des surfaces mises à la terre comme des tuyaux, des radiateurs, des cuisinières et des réfrigérateurs.** *Le risque de choc électrique est plus élevé si votre corps est mis à la terre.*
- c) **Ne pas exposer les outils électriques à la pluie ou à d'autres conditions où il pourrait être mouillé.** *La pénétration de l'eau dans un outil électrique augmente le risque de choc électrique.*
- d) **Ne pas utiliser abusivement le cordon d'alimentation. Ne jamais utiliser le cordon pour transporter, tirer ou débrancher un outil électrique. Tenir le cordon éloigné de la chaleur, de l'huile, des bords tranchants ou des pièces mobiles.** *Les cordons endommagés ou emmêlés augmentent les risques de choc électrique.*
- e) **Pour l'utilisation d'un outil électrique à l'extérieur, se servir d'une rallonge convenant à une telle utilisation.** *L'utilisation d'une rallonge conçue pour l'extérieur réduit les risques de choc électrique.*
- f) **S'il est impossible d'éviter l'utilisation d'un outil électrique dans un endroit humide, brancher l'outil dans une prise ou sur un circuit d'alimentation dotés d'un disjoncteur de fuite à la terre (GFCI).** *L'utilisation de ce type de disjoncteur réduit les risques de choc électrique.*

3) Sécurité personnelle

- a) **Être vigilant, surveiller le travail effectué et faire preuve de jugement lorsqu'un outil électrique est utilisé. Ne pas utiliser d'outil électrique en cas de fatigue ou sous l'influence de drogues, d'alcool ou de médicaments.** *Un simple moment d'inattention en utilisant un outil électrique peut entraîner des blessures corporelles graves.*
- b) **Utiliser des équipements de protection individuelle. Toujours porter une protection oculaire.** *L'utilisation d'équipements de protection comme un masque antipoussière, des chaussures antidérapantes, un casque de sécurité ou des protecteurs auditifs lorsque la situation le requiert réduira les risques de blessures corporelles.*
- c) **Empêcher les démarrages intempestifs. S'assurer que l'interrupteur se trouve à la position d'arrêt avant de relier l'outil à une source d'alimentation et/ou d'insérer un bloc-piles, de ramasser ou de transporter l'outil.** *Transporter un outil électrique alors que le doigt repose sur l'interrupteur ou brancher un outil électrique dont l'interrupteur est à la position de marche risque de provoquer un accident.*
- d) **Retirer toute clé de réglage ou clé standard avant de démarrer l'outil.** *Une clé standard ou une clé de réglage attachée à une partie pivotante peut causer des blessures.*
- e) **Ne pas trop tendre les bras. Conserver son équilibre en tout temps.** *Cela permet de mieux maîtriser l'outil électrique dans les situations imprévues.*
- f) **S'habiller de manière appropriée. Ne pas porter de vêtements amples ni de bijoux. Garder les cheveux, les vêtements et les gants à l'écart des pièces mobiles.** *Les vêtements amples, les bijoux ou les cheveux longs risquent de rester coincés dans les pièces mobiles.*
- g) **Si des composants sont fournis pour le raccordement de dispositifs de dépoussiérage et de ramassage, s'assurer que ceux-ci sont bien raccordés et utilisés.** *L'utilisation d'un dispositif de dépoussiérage peut réduire les dangers engendrés par les poussières.*

4) Utilisation et entretien d'un outil électrique

- a) **Ne pas forcer un outil électrique. Utiliser l'outil électrique approprié à l'application.** *L'outil électrique approprié effectuera un meilleur travail, de façon plus sûre et à la vitesse pour laquelle il a été conçu.*
- b) **Ne pas utiliser un outil électrique dont l'interrupteur est défectueux.** *Tout outil électrique dont l'interrupteur est défectueux est dangereux et doit être réparé.*
- c) **Débrancher la fiche du secteur ou le bloc-piles de l'outil électrique avant de faire tout réglage ou changement d'accessoire, ou avant de ranger l'outil électrique.** *Ces mesures préventives réduisent les risques de démarrage accidentel de l'outil électrique.*
- d) **Ranger les outils électriques hors de la portée des enfants, et ne permettre à aucune personne n'étant pas familière avec un outil électrique (ou son manuel d'instruction) d'utiliser ce dernier.** *Les outils électriques deviennent dangereux entre les mains d'utilisateurs inexpérimentés.*
- e) **Entretenir les outils électriques. Vérifier les pièces mobiles pour s'assurer qu'elles sont bien alignées et tournent librement, qu'elles sont en bon état et ne sont affectées par aucun trouble susceptible de nuire au bon fonctionnement de l'outil électrique. En cas de dommage, faire réparer l'outil électrique avant toute nouvelle utilisation.** *Beaucoup d'accidents sont causés par des outils électriques mal entretenus.*
- f) **S'assurer que les outils de coupe sont aiguisés et propres.** *Les outils de coupe bien entretenus et affûtés sont moins susceptibles de se coincer et sont plus faciles à contrôler.*
- g) **Utiliser l'outil électrique, les accessoires, les forets, etc. conformément aux présentes directives en tenant compte des conditions de travail et du travail à effectuer.** *L'utilisation d'un outil électrique pour toute opération autre que celle pour laquelle il a été conçu est dangereuse.*

5) Réparation

- a) **Faire réparer l'outil électrique par un réparateur professionnel en n'utilisant que des pièces de rechange identiques.** *Cela permettra de maintenir une utilisation sécuritaire de l'outil électrique.*

Règles de sécurité spécifiques

- Tenir l'outil par sa surface de prise isolée dans une situation où l'outil de coupe peut entrer en contact avec un câblage dissimulé ou avec son propre cordon d'alimentation. Tout contact avec un fil sous tension mettra sous tension les pièces métalliques de l'outil et électrocutera l'opérateur de l'outil.
- Toujours saisir l'outil fermement des deux mains et le tenir en main pour le faire fonctionner.
- Utiliser des brides de fixation ou un autre dispositif de fixation permettant de fixer solidement et de soutenir la pièce sur une plateforme stable. Tenir la pièce avec la main ou contre son corps la rend instable et risque de provoquer une perte de maîtrise de l'outil.

⚠ AVERTISSEMENT : TOUJOURS porter des lunettes de sécurité. Les lunettes de vue ne constituent PAS des lunettes de sécurité. Utiliser également un masque facial ou anti-poussière si l'opération de découpe génère de la poussière. TOUJOURS PORTER UN ÉQUIPEMENT DE PROTECTION HOMOLOGUÉ :

- protection oculaire conforme à la norme ANSI Z87.1 (CAN/CSA Z94.3);
- protection auditive ANSI S12.6 (S3.19);
- protection des voies respiratoires conformes aux normes NIOSH/OSHA/MSHA.

⚠ AVERTISSEMENT : certains outils électriques, tels que les sableuses, les scies, les meules, les perceuses ou certains autres outils de construction, peuvent produire de la poussière contenant des produits chimiques susceptibles d'entraîner le cancer, des malformations congénitales ou pouvant être nocifs pour le système reproductif. Parmi ces produits chimiques, on retrouve :

- le plomb dans les peintures à base de plomb,
- la silice cristalline dans les briques et le ciment et autres produits de maçonnerie,
- l'arsenic et le chrome dans le bois de sciage ayant subi un traitement chimique (comme l'arséniate de cuivre et de chrome).

Le risque associé à de telles expositions varie selon la fréquence avec laquelle on effectue ces travaux. Pour réduire l'exposition à de tels produits, il faut travailler dans un endroit bien aéré et utiliser le matériel de sécurité approprié, tel un masque anti-poussières spécialement conçu pour filtrer les particules microscopiques.

- Éviter tout contact prolongé avec la poussière provenant du ponçage électrique, du sciage, du meulage, du perçage et d'autres activités de construction. Porter des vêtements protecteurs et laver au savon et à l'eau les parties du corps exposées. Les poussières qui s'infiltrent dans la bouche et les yeux, ou qui se posent sur la peau peuvent favoriser l'absorption de produits chimiques nocifs.

⚠ AVERTISSEMENT : cet outil peut produire et répandre de la poussière susceptible de causer des dommages sérieux et permanents au système respiratoire. Toujours utiliser un appareil respiratoire anti-poussières approuvé par le NIOSH ou l'OSHA. Diriger les particules dans le sens opposé du visage et du corps.

⚠ MISE EN GARDE : Porter un appareil de protection personnel anti-bruit approprié durant l'utilisation. Sous certaines conditions et pendant toute la durée de l'utilisation, le bruit émanant de ce produit pourrait contribuer à la perte d'audition.

L'étiquette de l'outil peut comporter les symboles suivants.

V	volts	A	ampères
Hz	hertz	W	watts
min	minutes	~	courant alternatif
— — —	courant continu	n _o	sous vide
☐	Construction de classe II	⊕	borne de mise à la minute
⚠	symbole d'avertissement	.../min	tours ou courses à la minute

Moteur

S'assurer que l'intensité nominale du cordon d'alimentation corresponde à celle indiquée sur la plaque signalétique; sur cette dernière, la mention «120 V c.a.» signifie que l'outil ne doit être branché que dans une prise résidentielle standard de courant alternatif de 60 Hz et non pas dans une prise de courant continu, alors que «120 V c.a. / c.c.» signifie que l'outil peut fonctionner sur une prise standard de 60 Hz de courant alternatif ou continu. Une tension inférieure à celle indiquée pourrait entraîner une perte de puissance et une surchauffe. Tous les outils Black & Decker sont soumis à des essais en usine; si cet outil ne fonctionne pas, on doit d'abord vérifier l'intensité nominale du cordon d'alimentation.

RALLONGES

S'assurer que la rallonge est en bon état avant de l'utiliser. Toujours utiliser une rallonge qui convient à l'outil, c'est-à-dire dont le calibre des fils, la longueur du cordon et les valeurs nominales correspondent à l'outil alimenté. L'usage d'une rallonge de calibre insuffisant pourrait causer une chute de tension entraînant une perte de puissance et une surchauffe. Pour s'assurer qu'on utilise le calibre approprié, consulter le tableau indiqué ci-dessous.

Calibre minimal des cordons de rallonge					
Tension	Longueur totale du cordon en pieds				
120V	0-25	26-50	51-100	101-150	
	(0-7,6m)	(7,6-15,2m)	(15,2-30,4m)	(30,4-45,7m)	
240V	0-50	51-100	101-200	201-300	
	(0-15,2m)	(15,2-30,4m)	(30,4-60,9m)	(60,9-91,4m)	
Intensité (A)		Calibre moyen des fils (AWG)			
Au moins	Au plus				
0	- 6	18	16	16	14
6	- 10	18	16	14	12
10	- 12	16	16	14	12
12	- 16	14	12	Non recommandé	

CONSERVER CES DIRECTIVES

DESCRIPTION FONCTIONNELLE

1. Interrupteur marche/arrêt
2. Sortie de dispositif de dépoussiérage
3. Base de ponçage
4. Levier de pince à papier

⚠ MESURES DE SÉCURITÉ : PONCEUSES

- **TOUJOURS PORTER UNE PROTECTION OCULAIRE ET UNE PROTECTION RESPIRATOIRE ADÉQUATES.**
- Nettoyer l'outil régulièrement.
- Avant d'utiliser l'outil sur des pièces métalliques ou qui renferment du métal, s'assurer de retirer le sac à poussière.
- Porter des gants pour le travail sur des pièces métalliques.

⚠ AUTRES MESURES DE SÉCURITÉ IMPORTANTES

PONÇAGE

Peinture à base de plomb

Le ponçage d'une peinture au plomb N'EST PAS RECOMMANDÉ en raison de la difficulté entourant le contrôle de la poussière contaminée. Le danger le plus important d'empoisonnement au plomb touche les enfants et les femmes enceintes.

Étant donné qu'il est difficile d'identifier si une peinture contient ou non du plomb sans une analyse chimique, nous vous recommandons de suivre les précautions suivantes lors du ponçage d'une peinture.

Sécurité personnelle

- Les enfants et les femmes enceintes ne devraient pas entrer dans une zone de travail où se fait le ponçage de la peinture avant que la zone n'ait été entièrement nettoyée.
- Toutes les personnes entrant dans la zone de travail doivent porter un masque antipoussières ou un respirateur. Le filtre doit être remplacé chaque jour ou dès que la personne qui le porte éprouve de la difficulté à respirer.

REMARQUE : Seuls les masques qui conviennent pour le travail avec de la poussière et des émanations de peinture au plomb doivent être utilisés. Les masques pour peinture ordinaires n'offrent pas cette protection. Consulter la quincaillerie de votre région pour avoir un masque adéquat (approuvé par la NIOSH).

- Il faut éviter de MANGER, BOIRE et FUMER dans la zone de travail pour empêcher toute ingestion de particules de peinture contaminée. Les travailleurs doivent se laver les mains AVANT de manger, de boire ou de fumer. Ne pas laisser de nourriture, de breuvages ou d'articles de fumeur dans la zone de travail où ils risquent de recevoir de la poussière.

Respect de l'environnement

- La peinture doit être enlevée de façon à minimiser la quantité de poussière produite.
- Les zones où la peinture est enlevée doivent être scellées avec des feuilles de plastique d'une épaisseur de 4 mils.
- Le ponçage doit se faire de façon à réduire le repérage de la poussière de peinture à l'extérieur de la zone de travail.

Nettoyage et élimination

- Toutes les surfaces de la zone de travail doivent être nettoyées à fond à l'aide d'un aspirateur, et ce, chaque jour, pour la durée du projet de ponçage. Il faut changer régulièrement les sacs de filtre pour aspirateur.
- Les toiles de peinture en plastique doivent être rassemblées et mises au rebut avec les particules de poussière ou tout autre débris d'enlèvement. Il faut les placer dans des récipients à rebut étanches et les éliminer par la collecte des ordures ménagères. Pendant le nettoyage, les enfants et les femmes enceintes doivent éviter de se trouver dans la zone immédiate de travail.
- Tous les jouets, meubles lavables et les ustensiles utilisés par les enfants doivent être nettoyés à fond avant de les utiliser de nouveau.

ASSEMBLAGE

⚠ AVERTISSEMENT : afin d'éviter une fausse manœuvre, éteindre et débrancher l'outil avant d'effectuer les opérations suivantes. Le non-respect de cette directive risque d'entraîner des blessures corporelles graves.

AJUSTEMENT DES FEUILLES DE PAPIER ABRASIF (FIG. B)

REMARQUE : ne jamais utiliser l'outil s'il n'est pas muni d'une feuille de papier abrasif ou d'un accessoire.

- Assouplir la feuille de papier abrasif en frottant le côté non abrasif sur le bord de la table de travail.
- Remonter les leviers des pinces à papier (4) pour les dégager des rainures de blocage et ouvrir les pinces à papier en appuyant dessus.
- Placer la feuille de papier abrasif sur la base de ponçage, en s'assurant que les trous du papier (le cas échéant) sont alignés avec les trous dans la base.

- Insérer le bord de la feuille de papier dans la pince avant comme illustré.
- Remonter le levier de la pince à papier avant (4) et le placer dans la rainure de blocage.
- Tout en maintenant une légère tension sur la feuille, insérer le bord arrière de la feuille dans la pince à papier arrière.
- Remonter le levier de la pince à papier arrière (4) et le placer dans la rainure de blocage.

BRANCHEMENT D'UN ASPIRATEUR (FIG. C)

- Insérer l'adaptateur (5) dans la sortie du dispositif de dépoussiérage (2).
- Raccorder le tuyau (6) de l'aspirateur (non compris) à l'adaptateur.

FONCTIONNEMENT

MISE EN MARCHÉ ET ARRÊT (FIG. D)

- Pour allumer l'outil, appuyer sur la partie avant (I) de l'interrupteur marche/arrêt (1).
- Pour éteindre l'outil, appuyer sur la partie arrière (O) de l'interrupteur marche/arrêt (1).

CONSEILS POUR UNE UTILISATION OPTIMALE

- Toujours tenir l'outil à deux mains. (Fig. E)
- Ne pas appliquer trop de pression sur l'outil.
- Vérifier régulièrement l'état de la feuille de papier abrasif. La remplacer au besoin.
- Toujours poncer dans le sens du grain de bois.
- Toujours démarrer la ponceuse avant de faire contact avec la pièce. Retirer la ponceuse de la pièce avant de la mettre hors tension.
- Dans la mesure du possible, fixer la pièce sur un établi ou une surface de travail robuste semblable.
- Pour le ponçage de nouvelles couches de peinture avant d'appliquer une autre couche, utiliser un grain extra fin.
- Sur des surfaces très inégales, ou pour enlever des couches de peinture, commencer avec un grain grossier. Sur d'autres surfaces, commencer par un grain moyen. Dans les deux cas, passer graduellement à un grain fin pour un fini lisse.

DÉPOUSSIÉRAGE

⚠ AVERTISSEMENT : risque d'incendie. La farine de ponçage produite par les revêtements de la surface poncée (polyuréthane, huile de lin, etc.) peut s'enflammer spontanément et causer un incendie. Pour réduire ce risque, suivre attentivement les directives du guide de la ponceuse et les instructions du fabricant de chaque revêtement.

⚠ AVERTISSEMENT : risque d'incendie. Lors du ponçage de pièces de bois qui pourraient contenir des clous ou du ponçage de surfaces métalliques, ne pas utiliser un aspirateur à cause des étincelles produites. Porter des lunettes de sécurité et un masque anti-poussières. En raison du risque d'incendie, ne pas utiliser la ponceuse pour poncer des surfaces de magnésium. Ne pas utiliser pour poncer une surface mouillée.

Entretien de l'outil

On ne doit jamais appliquer trop de force lorsqu'on utilise la ponceuse à courroie, car cela pourrait entraîner une surcharge et endommager le moteur ou la pièce. Si la ponceuse devient trop chaude, la faire fonctionner à vide pendant deux minutes. Toujours garder les événements de refroidissement dégagés. Pour nettoyer votre ponceuse de finition, procéder comme suit :

⚠ AVERTISSEMENT : Afin d'éviter une fausse manoeuvre, arrêter et débrancher la ponceuse avant d'effectuer les opérations suivantes. Le non-respect de cette consigne pourrait entraîner des risques de blessure.

- Dégager les événements et les conduits au moyen d'un pinceau sec et propre.
- Nettoyer l'extérieur au moyen d'un linge humide et propre (ne pas utiliser de solvant, d'essence ou de térébenthine).

IMPORTANT : pour garantir la SÉCURITÉ et la FIABILITÉ du produit, les réparations, l'entretien et le réglage (autres que ceux énumérés dans ce mode d'emploi) doivent être réalisés par un centre de réparation autorisé ou tout autre professionnel de réparation qualifié, toujours avec des pièces de rechange identiques.

ACCESSOIRES

Les accessoires recommandés pouvant être utilisés avec l'outil sont disponibles auprès de votre distributeur local ou centre de réparation autorisé. Pour tout renseignement concernant les accessoires, composer le : **1 800 544-6986**.

⚠ AVERTISSEMENT : l'utilisation de tout accessoire non recommandé avec cet outil pourrait s'avérer dangereuse.

DÉPANNAGE

Problème

- L'appareil refuse de démarrer.

Cause possible

- Cordon d'alimentation non branché.
- Le fusible du circuit est grillé.

- Le disjoncteur est déclenché.

- Le cordon d'alimentation ou la prise de courant est endommagé(e).

Solution possible

- Brancher l'outil dans une prise qui fonctionne.
- Remplacer le fusible du circuit. (Si le produit fait griller de façon répétée le fusible du circuit, arrêter immédiatement d'utiliser le produit et le faire réparer dans un centre de réparation Black & Decker ou un centre de réparation autorisé.)
- Remettre le disjoncteur à zéro. (Si le produit fait déclencher de façon répétée le disjoncteur, arrêter immédiatement d'utiliser le produit et le faire réparer dans un centre de réparation Black & Decker ou un centre de réparation autorisé.)
- Faire remplacer le cordon ou l'interrupteur au centre de réparation Black & Decker ou à un centre de réparation autorisé.

Pour obtenir de l'aide avec l'outil, consulter notre site Web **www.blackanddecker.com** pour l'emplacement du centre de réparation le plus près ou communiquer avec l'assistance **BLACK & DECKER** au **1-800-544-6986**.

INFORMATION SUR LES RÉPARATIONS

Tous les centres de réparation Black & Decker sont dotés de personnel qualifié en matière d'outillage électrique; ils sont donc en mesure d'offrir à leur clientèle un service efficace et fiable. Que ce soit pour un avis technique, une réparation ou des pièces de rechange authentiques installées en usine, communiquer avec l'établissement Black & Decker le plus près de chez vous. Pour trouver l'établissement de réparation de votre région, consulter le répertoire des Pages jaunes à la rubrique « Outils électriques » ou composer le numéro suivant : **1-800-544-6986** ou consulter le site **www.blackanddecker.com**

GARANTIE COMPLÈTE DE DEUX ANS POUR UNE UTILISATION DOMESTIQUE

Black & Decker (É.-U.) Inc. garantit ce produit pour une durée de deux ans contre tout défaut de matériau ou de fabrication. Le produit défectueux sera remplacé ou réparé sans frais de l'une des deux façons suivantes :

La première façon consiste en un simple échange chez le détaillant qui l'a vendu (pourvu qu'il s'agisse d'un détaillant participant). Tout retour doit se faire durant la période correspondant à la politique d'échange du détaillant (habituellement, de 30 à 90 jours après l'achat). Une preuve d'achat peut être requise. Vérifier auprès du détaillant pour connaître sa politique concernant les retours hors de la période définie pour les échanges.

La deuxième option est d'apporter ou d'envoyer le produit (transport payé d'avance) à un centre de réparation autorisé ou à un centre de réparation de Black & Decker pour faire réparer ou échanger le produit, à notre discrétion. Une preuve d'achat peut être requise. Les centres Black & Decker et les centres de service autorisés sont répertoriés dans les pages jaunes, sous la rubrique « Outils électriques ».

Cette garantie ne s'applique pas aux accessoires. Cette garantie vous accorde des droits légaux spécifiques et vous pourriez avoir d'autres droits qui varient d'un État ou d'une province à l'autre. Pour toute question, communiquer avec le directeur du centre de réparation Black & Decker le plus près de chez vous. Ce produit n'est pas destiné à un usage commercial.

REMPLACEMENT GRATUIT DES ÉTIQUETTES D'AVERTISSEMENT : si les étiquettes d'avertissement deviennent illisibles ou sont manquantes, composer le **1-800-544-6986** pour en obtenir le remplacement gratuit.

Imported by / Importé par
Black & Decker Canada Inc.
100 Central Ave.
Brockville (Ontario) K6V 5W6

Voir la rubrique "Outils électriques"
des Pages Jaunes
pour le service et les ventes.





Lijadora para acabados

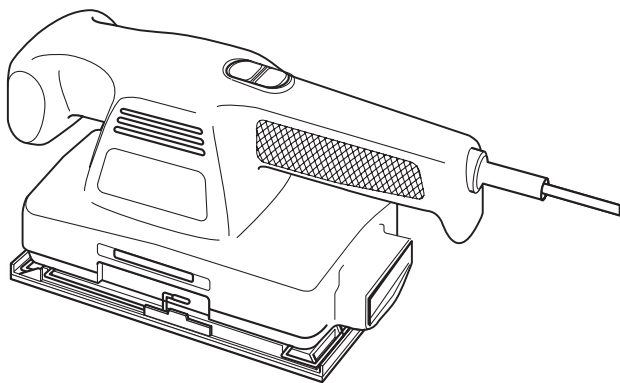
MANUAL DE INSTRUCCIONES

¡GRACIAS POR ELEGIR BLACK & DECKER!
VAYA A WWW.BLACKANDDECKER.COM/NEWOWNER
PARA REGISTRAR SU NUEVO PRODUCTO.

**ANTES DE DEVOLVER ESTE PRODUCTO POR
CUALQUIER MOTIVO, LLAME AL
(55)5326-7100**

ANTES DE LLAMAR, TENGA EL NÚMERO DE CATÁLOGO Y EL CÓDIGO DE FECHA PREPARADOS.
EN LA MAYORÍA DE LOS CASOS, UN REPRESENTANTE DE BLACK & DECKER PUEDE RESOLVER
EL PROBLEMA POR TELÉFONO. SI DESEA REALIZAR UNA SUGERENCIA O COMENTARIO,
LLÁMENOS. SU OPINIÓN ES FUNDAMENTAL PARA BLACK & DECKER.

**Catálogo N°
7558**



CONSERVE ESTE MANUAL PARA FUTURAS CONSULTAS.

PAUTAS DE SEGURIDAD/DEFINICIONES

Es importante que lea y comprenda este manual. La información que contiene se relaciona con la protección de SU SEGURIDAD y la PREVENCIÓN DE PROBLEMAS. Los símbolos que siguen se utilizan para ayudarlo a reconocer esta información.

⚠ PELIGRO: indica una situación de peligro inminente que, si no se evita, provocará la muerte o lesiones graves.

⚠ ADVERTENCIA: indica una situación de peligro potencial que, si no se evita, provocará la muerte o lesiones graves.

⚠ PRECAUCIÓN: indica una situación de peligro potencial que, si no se evita, provocará lesiones leves o moderadas.

PRECAUCIÓN: utilizado sin el símbolo de alerta de seguridad indica una situación de peligro potencial que, si no se evita, puede provocar daños en la propiedad.

Advertencias generales de seguridad para herramientas eléctricas

⚠ ADVERTENCIA: Lea todas las advertencias de seguridad e instrucciones. El incumplimiento de las advertencias e instrucciones puede provocar descargas eléctricas, incendios o lesiones graves.

Conserve todas las advertencias e instrucciones para futuras consultas.

El término "herramienta eléctrica" incluido en las advertencias hace referencia a las herramientas eléctricas operadas con corriente (con cable eléctrico) o a las herramientas eléctricas operadas con baterías (inalámbricas).

1) Seguridad en el área de trabajo

- Mantenga el área de trabajo limpia y bien iluminada.** *Las áreas abarrotadas y oscuras propician accidentes.*
- No opere herramientas eléctricas en atmósferas explosivas, como ambientes donde se encuentran líquidos, gases o polvo inflamables.** *Las herramientas eléctricas originan chispas que pueden encender el polvo o los vapores.*
- Mantenga a los niños y espectadores alejados de la herramienta eléctrica en funcionamiento.** *Las distracciones pueden provocar la pérdida de control.*

2) Seguridad eléctrica

- Los enchufes de la herramienta eléctrica deben adaptarse al tomacorriente. Nunca modifique el enchufe de ninguna manera. No utilice ningún enchufe adaptador con herramientas eléctricas con conexión a tierra.** *Los enchufes no modificados y que se adaptan a los tomacorrientes reducirán el riesgo de descarga eléctrica.*
- Evite el contacto corporal con superficies puestas a tierra, como por ejemplo tuberías, radiadores, rangos y refrigeradores.** *Existe mayor riesgo de descarga eléctrica si su cuerpo está puesto a tierra.*
- No exponga las herramientas eléctricas a la lluvia o a condiciones de humedad.** *Si ingresa agua a una herramienta eléctrica, aumentará el riesgo de descarga eléctrica.*
- No maltrate al cable. Nunca utilice el cable para transportar, tirar o desenchufar la herramienta eléctrica. Mantenga el cable lejos del calor, aceite, bordes afilados o piezas móviles.** *Los cables dañados o enredados aumentan el riesgo de descarga eléctrica.*
- Al operar una herramienta eléctrica en el exterior, utilice un cable prolongador adecuado para tal uso. Utilice un cable adecuado para uso en exteriores a fin de reducir el riesgo de descarga eléctrica.**
- Si el uso de una herramienta eléctrica en un lugar húmedo es imposible de evitar, utilice un suministro protegido con un interruptor de circuito por falla a tierra (GFCI).** *El uso de un GFCI reduce el riesgo de descargas eléctricas.*

3) Seguridad personal

- Permanezca alerta, controle lo que está haciendo y utilice el sentido común cuando emplee una herramienta eléctrica.** *No utilice una herramienta*

eléctrica si está cansado o bajo el efecto de drogas, alcohol o medicamentos. Un momento de descuido mientras se opera una herramienta eléctrica puede provocar lesiones personales graves.

- b) Utilice equipos de protección personal. Siempre utilice protección para los ojos.** *En las condiciones adecuadas, el uso de equipos de protección, como máscaras para polvo, calzado de seguridad antideslizante, cascos o protección auditiva, reducirá las lesiones personales.*
- c) Evite el encendido por accidente. Asegúrese de que el interruptor esté en la posición de apagado antes de conectarlo a la fuente de energía o paquete de baterías, o antes de levantar o transportar la herramienta.** *Transportar herramientas eléctricas con el dedo apoyado en el interruptor o enchufar herramientas eléctricas con el interruptor en la posición de encendido puede propiciar accidentes.*
- d) Retire las clavijas de ajuste o llaves de tuercas antes de encender la herramienta eléctrica.** *Una llave de tuercas o una clavija de ajuste que se deje conectada a una pieza giratoria de la herramienta eléctrica pueden provocar lesiones personales.*
- e) No se estire. Conserve el equilibrio adecuado y manténgase parado correctamente en todo momento.** *Esto permite un mejor control de la herramienta eléctrica en situaciones inesperadas.*
- f) Use la vestimenta adecuada. No use ropas holgadas ni joyas. Mantenga el cabello, la ropa y los guantes alejados de las piezas en movimiento.** *Las ropas holgadas, las joyas o el cabello largo pueden quedar atrapados en las piezas en movimiento.*
- g) Si se suministran dispositivos para la conexión de accesorios con fines de recolección y extracción de polvo, asegúrese de que estén conectados y que se utilicen correctamente.** *El uso de dispositivos de recolección de polvo puede reducir los peligros relacionados con el polvo.*

4) Uso y mantenimiento de la herramienta eléctrica

- a) No fuerce la herramienta eléctrica. Utilice la herramienta eléctrica correcta para el trabajo que realizará.** *La herramienta eléctrica correcta hará el trabajo mejor y más seguro a la velocidad para la que fue diseñada.*
- b) No utilice la herramienta eléctrica si no puede encenderla o apagarla con el interruptor.** *Toda herramienta eléctrica que no puede ser controlada mediante el interruptor es peligrosa y debe ser reparada.*
- c) Desconecte el enchufe de la fuente de energía y/o el paquete de baterías de la herramienta eléctrica antes de realizar ajustes, cambiar accesorios o almacenar herramientas eléctricas.** *Estas medidas de seguridad preventivas reducen el riesgo de encender la herramienta eléctrica en forma accidental.*
- d) Guarde las herramientas eléctricas que no están en uso fuera del alcance de los niños y no permite que otras personas no familiarizadas con ella o con estas instrucciones operen la herramienta.** *Las herramientas eléctricas son peligrosas en las manos de usuarios no entrenados.*
- e) Mantenimiento de las herramientas eléctricas. Controle que no haya piezas móviles mal alineadas o trabadas, piezas rotas y toda otra situación que pueda afectar el funcionamiento de las herramientas eléctricas. Si encuentra daños, haga reparar la herramienta eléctrica antes de utilizarla.** *Se producen muchos accidentes a causa de las herramientas eléctricas que carecen de un mantenimiento adecuado.*
- f) Mantenga las herramientas de corte afiladas y limpias.** *Las herramientas de corte con mantenimiento adecuado, con los bordes de corte afilados son menos propensas a trabarse y son más fáciles de controlar.*
- g) Utilice la herramienta eléctrica, los accesorios y las brocas de la herramienta, etc. de acuerdo con estas instrucciones y teniendo en cuenta las condiciones de trabajo y el trabajo que debe realizarse.** *El uso de la herramienta eléctrica para operaciones diferentes de aquéllas para las que fue diseñada podría originar una situación peligrosa.*

5) Mantenimiento

- a) Haga que una persona de reparaciones calificada realice el mantenimiento de su herramienta eléctrica y utilice piezas de repuesto idénticas solamente.** *Esto garantizará la seguridad de la herramienta eléctrica.*

Normas de seguridad específicas

- Cuando realice una operación donde la herramienta de corte pueda tocar cables eléctricos ocultos o su propio cable, sostenga la herramienta por las superficies de agarre aisladas. El contacto con un cable con "corriente eléctrica" hará que las partes metálicas expuestas de la herramienta tengan "corriente eléctrica" y el operador sufra una descarga eléctrica.
- Sostenga siempre la herramienta firmemente con ambas manos y opérela sólo manualmente.
- Utilice abrazaderas u otra forma práctica para asegurar y sostener la pieza de trabajo sobre una plataforma estable. Sostener el trabajo con la mano o contra el cuerpo no brinda la estabilidad requerida y puede llevar a la pérdida del control.

⚠ AVERTISSEMENT : USE SIEMPRE LENTES DE SEGURIDAD. Los anteojos de uso diario NO son lentes de seguridad. Utilice también máscaras faciales o para polvo si el corte produce polvillo. UTILICE SIEMPRE EQUIPOS DE SEGURIDAD CERTIFICADOS:

- Protección para los ojos según la norma ANSI Z87.1 (CAN/CSA Z94.3)
- Protección auditiva según la norma ANSI S12.6 (S3.19)
- Protección respiratoria según las normas NIOSH/OSHA/MSHA

⚠ ADVERTENCIA: Algunas partículas originadas al lijar, aserrar, amolar, taladrar y realizar otras actividades de construcción contienen productos químicos que producen cáncer, defectos de nacimiento y otros problemas reproductivos. Algunos ejemplos de estos productos químicos son:

- el plomo de las pinturas de base plomo,
- la sílice cristalina de ladrillos, cemento y otros productos de mampostería,
- el arsénico y el cromo de la madera con tratamiento químico (CCA).

El riesgo derivado de estas exposiciones varía según la frecuencia con la que se realice este tipo de trabajo. Para reducir la exposición a estos productos químicos: se recomienda trabajar en áreas bien ventiladas y usar equipos de seguridad aprobados, como las máscaras para polvo especialmente diseñadas para filtrar las partículas microscópicas.

- Evite el contacto prolongado con el polvo de lijado, serruchado, granulado, perforado y otras actividades de construcción. Utilice vestimenta de protección y lave las zonas expuestas con jabón y agua. Si permite que el polvo entre en su boca, ojos o entre en contacto con su piel esto puede causar la absorción de productos químicos dañinos.

⚠ ADVERTENCIA: El uso de esta herramienta puede generar o dispersar partículas de polvo, que pueden causar lesiones respiratorias permanentes y graves u otras lesiones. Use siempre protección respiratoria aprobada por NIOSH/OSHA (Instituto Nacional de Salud y Seguridad Ocupacional de EE.UU./Administración de la Salud y Seguridad Ocupacional de EE.UU.) apropiada para la exposición al polvo. Aleje las partículas de la cara y el cuerpo.

⚠ PRECAUCIÓN: Utilice una protección auditiva apropiada durante el uso. En determinadas condiciones y con utilizaciones prolongadas, el ruido generado por este producto puede favorecer la pérdida de audición.

La etiqueta de su herramienta puede incluir los siguientes símbolos.

V..... volts	A..... amperes
Hz..... hertz	W..... watts
min..... minutos	~corriente alterna
=== corriente directa	n _o velocidad sin carga
☐ construcción clase II	⊕ terminales de conexión a tierra
⚠ símbolo de alerta seguridad	.../min revoluciones o reciprocaciones por minuto

Motor

Asegúrese de que su alimentación eléctrica sea la requerida en la placa nominal. 120 voltios de corriente alterna sólo significa que su herramienta operará con la potencia doméstica estándar de 60 Hz. No opere herramientas de corriente alterna en corriente directa. Una especificación de 120 voltios AC/DC significa que su herramienta operará en 60 Hz estándar de potencia en corriente alterna o corriente directa. Esta información está impresa en la placa nominal. Un voltaje menor causará pérdida de potencia y puede resultar en sobrecalentamiento. Todas las herramientas Black & Decker han sido probadas en la fábrica; si esta herramienta no funciona, revise la alimentación eléctrica.

Uso de cables de extensión

Asegúrese que el cable de extensión esté en buenas condiciones antes de usarlo. Utilice siempre extensiones con el calibre adecuado con su herramienta – esto es, el calibre apropiado para diferentes longitudes del cable, con la capacidad suficiente para soportar la corriente que su herramienta necesita. El uso de un cable con calibre insuficiente causará una caída en el voltaje de la línea resultando en pérdida de potencia y sobrecalentamiento. Consulte la tabla que sigue para conocer los calibre del cable.

Calibre mínimo para cables de extensión					
Volts	Longitud total del cable en pies				
120V	0-25	26-50	51-100	101-150	
	(0-7,6m)	(7,6-15,2m)	(15,2-30,4m)	(30,4-45,7m)	
240V	0-50	51-100	101-200	201-300	
	(0-15,2m)	(15,2-30,4m)	(30,4-60,9m)	(60,9-91,4m)	
Amperaje					
Más de		No más de		American Wire Gage	
0	- 6	18	16	16	14
6	- 10	18	16	14	12
10	- 12	16	16	14	12
12	- 16	14	12	No se recomienda	

CONSERVE ESTAS INSTRUCCIONES

Descripción funcional

1. Interruptor de encendido/apagado
2. Salida de extracción de polvo
3. Base lijadora
4. Palanca de la abrazadera del papel

⚠ ADVERTENCIAS E INSTRUCCIONES DE SEGURIDAD: LIJADORAS

- UTILICE SIEMPRE PROTECCIÓN RESPIRATORIA Y VISUAL ADECUADA.
- Limpie su herramienta periódicamente
- Antes de utilizar la herramienta sobre piezas metálicas o que contienen metal, asegúrese de quitar la bolsa recolectora de polvo.
- Cuando trabaje con piezas metálicas, use guantes.

⚠️ OTRAS ADVERTENCIAS E INSTRUCCIONES DE SEGURIDAD IMPORTANTES

LIJADO

Lijado de pinturas con base de plomo

NO SE RECOMIENDA el lijado de pinturas con base de plomo debido a la dificultad para controlar el polvo contaminado. El mayor peligro de envenenamiento por plomo es para niños y mujeres embarazadas.

Ya que es difícil identificar si una pintura contiene plomo o no sin efectuar un análisis químico, recomendamos que tenga en cuenta las siguientes precauciones cuando lije cualquier tipo de pintura:

Seguridad personal

- No permita que entren al área de trabajo niños ni mujeres embarazadas cuando lije pintura hasta que haya terminado de asear el lugar.
- Se recomienda el uso de máscaras o respiradores para todas las personas que entren al área de trabajo. El filtro se debe reemplazar diariamente o cuando el usuario tenga dificultad para respirar.

NOTA: Sólo deben utilizarse mascareras adecuadas para trabajo con polvo y vapores de pintura. Las mascareras ordinarias para pintura no ofrecen esta protección. Vea a su distribuidor de herramienta local para conseguir la máscara adecuada.

- NO COMA, BEBA O FUME en la zona de trabajo para evitar ingerir partículas de pintura contaminadas. Los usuarios deberán lavarse y limpiarse ANTES de comer, beber o fumar. No deben dejarse artículos para comer beber o fumar en el área de trabajo donde el polvo se asentaría en ellos.

Seguridad ambiental

- La pintura debe removerse de tal manera que se minimice la cantidad generada de polvo.
- Se deben sellar las áreas en que se remueve pintura con láminas de plástico de 4 mils. de espesor.
- El lijado debe hacerse en tal forma que se reduzca el desalojo de pintura fuera de la zona de trabajo.

Limpieza y desecho

- Todas las superficies en el área de trabajo deben ser aspiradas y limpiadas a conciencia diariamente el tiempo que dure el proyecto de lijado. Las bolsas filtro de las aspiradoras deben cambiarse frecuentemente.
- Las láminas de plástico deben recogerse y desecharse con cualquier resto de pintura. Deben depositarse en receptáculos sellados y deben desecharse a través de los procedimientos de recolección de basura normales. Durante la limpieza, niños y mujeres embarazadas deben permanecer alejados de la zona de trabajo inmediata.
- Todo tipo de juguetes, mobiliario lavable y utensilios usados por niños deben lavarse a conciencia antes de volver a utilizarse.

ENSAMBLAJE

⚠️ ADVERTENCIA. Para evitar el funcionamiento accidental, apague y desenchufe la herramienta antes de realizar las siguientes operaciones. El incumplimiento de esta indicación puede provocar lesiones personales graves.

AJUSTE DE LAS HOJAS DE LIJA (FIG. B)

NOTA: Nunca use la herramienta sin haberle colocado una hoja de lija o accesorio.

- Suavice la hoja de lija frotando su lado no abrasivo sobre el borde de una superficie de trabajo.
- Presione las palancas de la abrazadera del papel (4) hacia arriba para liberarlas de las ranuras de retención, y abra las abrazaderas del papel presionándolas hacia abajo.
- Coloque la hoja sobre la base lijadora y asegúrese de que los orificios en la hoja (si corresponde) se alineen con los orificios en la base.
- Inserte el borde de la hoja de lija en la abrazadera delantera del papel como se muestra.
- Presione la palanca de la abrazadera delantera del papel (4) hacia arriba, y colóquela en la ranura de retención.

- Mientras mantiene la hoja presionada ligeramente, inserte el borde trasero de la hoja en la abrazadera trasera del papel.
- Presione la palanca de la abrazadera trasera del papel (4) hacia arriba, y colóquela en la ranura de retención.

CÓMO CONECTAR LA ASPIRADORA (FIG. C)

- Inserte el adaptador (5) en la salida de extracción de polvo (2).
- Conecte la manguera (6) de la aspiradora (no se incluye) al adaptador.

FUNCIONAMIENTO

ENCENDIDO Y APAGADO (FIG. D)

- Para encender la herramienta, presione la parte delantera (I) del interruptor de encendido/apagado (1).
- Para apagar la herramienta, presione la parte trasera (O) del interruptor de encendido/apagado (1).

CONSEJOS PARA UN USO ÓPTIMO

- Siempre sostenga la herramienta con ambas manos.
- No ejerza demasiada presión sobre la herramienta.
- Revise el estado del papel de lija periódicamente. Reemplácelo cuando sea necesario.
- Siempre lije con la veta de la madera.
- Siempre encienda la lijadora antes de ponerla en contacto con la superficie de trabajo y no la apague hasta haberla levantado de ésta.
- Cuando sea posible, sujete la pieza de trabajo a un banco de trabajo u otra superficie firme similar.
- Cuando lije capas nuevas de pintura antes de aplicar otra capa, utilice grano extra fino.
- grano grueso. En otras superficies, comience con un grano mediano. En ambos casos, cambie gradualmente a un grano fino para un acabado liso.

RECOLECCIÓN DE POLVO

⚠ ADVERTENCIA: Riesgo de incendio. El polvo acumulado que se produce al lijar los revestimientos de las superficies (poliuretano, aceite de linaza, etc.) puede iniciar una combustión espontánea y causar un incendio. Para reducir el riesgo, siga estrictamente las instrucciones del manual de la lijadora y del fabricante del revestimiento.

⚠ ADVERTENCIA: Riesgo de incendio. No utilice una aspiradora al lijar maderas con clavos o superficies metálicas, ya que se pueden producir chispas. Utilice lentes de seguridad y una máscara para polvo. Debido al riesgo de incendio, no utilice la lijadora para lijar superficies de magnesio. No utilice la herramienta para lijar superficies húmedas.

Cuidado y mantenimiento de la herramienta

Nunca aplique demasiada fuerza cuando use su lijadora de banda. Demasiada fuerza puede sobrecargar y dañar el motor o la pieza de trabajo. Si su lijadora de banda se calienta demasiado, hágala operar sin carga por dos minutos. Mantenga siempre despejados los orificios de ventilación. Para limpiar la lijadora para acabados, realice el siguiente procedimiento:

⚠ ADVERTENCIA: Apague y desenchufe la lijadora antes de realizar las siguientes

operaciones, para evitar que arranque accidentalmente. El incumplimiento con la anterior podría causar lesiones corporales graves.

- Use una brocha para pintar seca y limpia para limpiar los ductos y orificios de ventilación.
- Limpie las cajas protectoras con un paño limpio y húmedo (no use solventes, gasolina ni trementina.)

IMPORTANTE: Para garantizar la SEGURIDAD y CONFIABILIDAD del producto, las reparaciones, el mantenimiento y los ajustes (los que no estén enumerados en este manual) deben ser realizados por los centros de mantenimiento autorizados u otro personal de mantenimiento calificado, y siempre deben utilizarse piezas de repuesto idénticas.

ACCESORIOS

Los accesorios que se recomiendan para la herramienta están disponibles en su distribuidor local o en el centro de mantenimiento autorizado. Si necesita ayuda con respecto a los accesorios, llame al: **(55)5326-7100**

⚠ ADVERTENCIA: El uso de accesorios no recomendados para utilizar con esta herramienta puede resultar peligroso.

DETECCIÓN DE PROBLEMAS

<u>Problema</u>	<u>Causa posible</u>	<u>Solución posible</u>
• La unidad no enciende.	<ul style="list-style-type: none">• Cable desenchufado.• Fusible quemado.• El interruptor automático está activado.• Interruptor o cable dañado.	<ul style="list-style-type: none">• Enchufe el cargador en un tomacorriente que funcione.• Reemplace el fusible quemado. (Si repetidamente el producto hace que el fusible del circuito se queme, deje de utilizarlo inmediatamente y haga que le realicen mantenimiento en un centro de mantenimiento Black & Decker o en un centro de servicio autorizado.)• Reinicie el interruptor automático. (Si repetidamente el producto hace que el fusible del circuito se queme, deje de utilizarlo inmediatamente y haga que le realicen mantenimiento en un centro de mantenimiento Black & Decker o en un centro de servicio autorizado.)• Haga reparar el cable o el interruptor en un centro de mantenimiento Black & Decker o en un centro de mantenimiento autorizado.

Para conocer la ubicación del centro de mantenimiento más cercano a fin de recibir ayuda con su producto, visite nuestro sitio Web **www.blackanddecker.com** o llame a la línea de ayuda BLACK & DECKER al **55-5326-7100**

INFORMACIÓN DE MANTENIMIENTO

Todos los Centros de mantenimiento de Black & Decker cuentan con personal altamente capacitado dispuesto a brindar a todos los clientes un servicio eficiente y confiable en la reparación de herramientas eléctricas. Si necesita consejo técnico, reparaciones o piezas de repuesto originales de fábrica, póngase en contacto con el centro de mantenimiento de Black & Decker más cercano a su domicilio. Para ubicar su centro de servicio local, consulte la sección "Herramientas eléctricas" (Tools-Electric) de las páginas amarillas, llame al **(55)5326-7100** o visite nuestro sitio **www.blackanddecker.com**.

GARANTÍA COMPLETA DE DOS AÑOS PARA USO EN EL HOGAR

Black & Decker (Estados Unidos) Inc. ofrece una garantía de dos años por cualquier defecto del material o de fabricación de este producto. El producto defectuoso se reparará o reemplazará sin costo alguno de dos maneras.

La primera opción, el reemplazo, es devolver el producto al comercio donde se lo adquirió (siempre y cuando se trate de un comercio participante). Las devoluciones deben realizarse conforme a la política de devolución del comercio (generalmente, entre 30 y 90 días posteriores a la venta). Le pueden solicitar comprobante de compra. Consulte en el comercio acerca de la política especial sobre devoluciones una vez excedido el plazo establecido.

La segunda opción es llevar o enviar el producto (con flete pago) a un Centro de mantenimiento propio o autorizado de Black & Decker para su reparación o reemplazo según nuestro criterio. Le pueden solicitar el comprobante de compra. Los Centros de mantenimiento autorizados y de propiedad de Black & Decker se detallan en la sección "Herramientas eléctricas" (Tools-Electric) de las páginas amarillas de la guía telefónica. Esta garantía no se extiende a los accesorios. Esta garantía le concede derechos legales específicos; usted puede tener otros derechos que pueden variar según el estado o la provincia. Si tiene alguna pregunta, comuníquese con el gerente del Centro de mantenimiento de Black & Decker de su zona. Este producto no está diseñado para uso comercial.

REEMPLAZO GRATUITO DE LAS ETIQUETAS DE ADVERTENCIAS: si sus etiquetas de advertencia se tornan ilegibles o faltan, llame al **(55)5326-7100** para que se le reemplacen gratuitamente.

Para reparación y servicio de sus herramientas eléctricas, favor de dirigirse al Centro de Servicio más cercano:

CULIACAN, SIN

Av. Nicolás Bravo #1063 Sur
(667) 7 12 42 11
Col. Industrial Bravo

GUADALAJARA, JAL

Av. La Paz #1779
(33) 3825 6978
Col. Americana Sector Juarez

MEXICO, D.F.

Eje Central Lázaro Cardenas
No. 18
(55) 5588 9377
Local D, Col. Obrera

MERIDA, YUC

Calle 63 #459-A
(999) 928 5038
Col. Centro

MONTERREY, N.L.

Av. Francisco I. Madero
No.831
(81) 8375 2313
Col. Centro

PUEBLA, PUE

17 Norte #205
(222) 246 3714
Col. Centro

QUERETARO, QRO

Av. Madero 139 Pte.
(442) 214 1660
Col. Centro

SAN LUIS POTOSI, SLP

Av. Universidad 1525
(444) 814 2383
Col. San Luis

TORREON, COAH

Bldv. Independencia, 96 Pte.
(871) 716 5265
Col. Centro

VERACRUZ, VER

Prolongación Díaz Mirón #4280
(229)921 7016
Col. Remes

VILLAHERMOSA, TAB

Constitución 516-A
(993) 312 5111
Col. Centro

PARA OTRAS LOCALIDADES LLAME AL: (55) 5326 7100

Para servicio y ventas consulte
"HERRAMIENTAS ELECTRICAS"
en la sección amarilla.



IMPORTADOR: BLACK & DECKER S.A. DE C.V.
BOSQUES DE CIDROS ACCESO RADIATAS NO. 42
BOSQUES DE LAS LOMAS, 05120 MEXICO, D.F.
(55) 5326-7100

Especificaciones

120V
60Hz
1,2A
134W