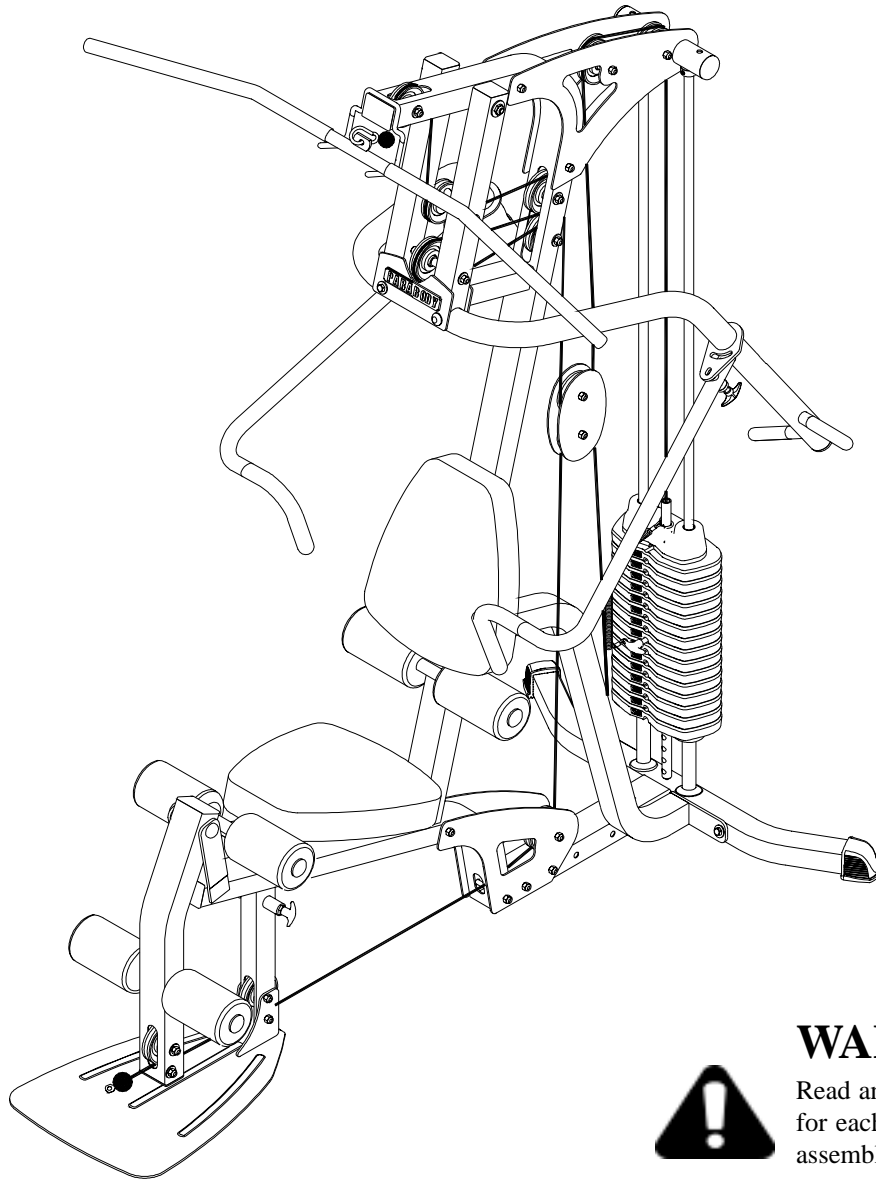


# PARABODY®

## GS2 GYM SYSTEM

---



### **WARNING:**

Read and follow all directions for each step to insure proper assembly of this product.



---

## USER'S GUIDE

## TABLE OF CONTENTS

Safety Statement.....	2	Parts list.....	5
General Notes.....	3	Assembly Instructions.....	6-21
Tools Required.....	3	General Maintenance.....	22
Gym Layout.....	4	Warranty Statement.....	23
		Product Services.....	24
		Insert-Registration Card	

## IMPORTANT SAFETY INFORMATION



THERE IS A RISK ASSUMED BY INDIVIDUALS WHO USE THIS TYPE OF EQUIPMENT. TO MINIMIZE RISK FOLLOW THESE RULES!

1. Before using, read all the warnings and instructions on the use of this machine. Use only for intended exercise. **DO NOT** modify the machine.
2. Obtain a medical exam before beginning any exercise program.
3. Keep body and clothing free of all moving objects.
4. Inspect the machine before use. **DO NOT** use it if it appears damaged. **DO NOT** attempt to fix a broken or jammed machine. Notify your authorized ParaBody dealer before use and have repairs made by an authorized service technician.
5. Be certain that weight pin is completely inserted. Use only the pin provided by the manufacturer. If unsure, call your authorized ParaBody dealer.
6. Never pin the weights or prop plate into an elevated position. **DO NOT** use the machine if found in this condition. **DO NOT** attempt to fix. Notify your authorized ParaBody dealer.
7. Inspect cables and their connections before using machine. Pay particular attention to the cable ends. **DO NOT** attempt to fix. Notify your authorized ParaBody dealer before use and have repairs made by an authorized service technician.
8. Make sure all spring loaded pull pins are fully engaged in the adjustment position and fully tighten thumbscrew before use.
9. Children must not be allowed near this machine. Supervise teenagers.

**NOTE:** In a continual effort to improve our products, specifications are subject to change  
© 2002 Life Fitness, a division of Brunswick Corporation. All rights reserved.  
ParaBody is a trademark of Brunswick Corporation

[www.parabody.com](http://www.parabody.com)

## IMPORTANT NOTES

### Please note:

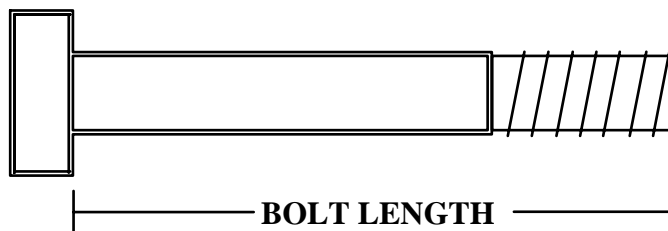
- \* Thank you for purchasing the ParaBody GS2 Gym System. Please read these instructions thoroughly and keep them for future reference.
- \* This product must be assembled on a flat, level surface to assure its proper function. DO NOT securely tighten any frame connections until the entire frame has been assembled, unless otherwise stated.

## Tools Required for Assembly

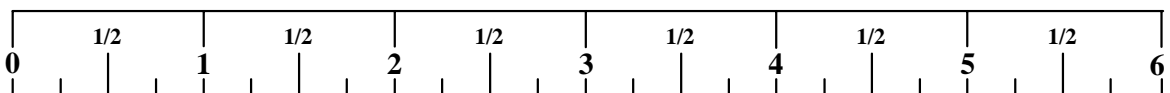
- \* Rubber mallet or hammer
- \* 3/4" wrench
- \* 9/16" wrench
- \* Ratchet with 3/4" and 9/16" sockets
- \* 5/32" Allen wrench
- \* Adjustable wrench
- \* Tape measure

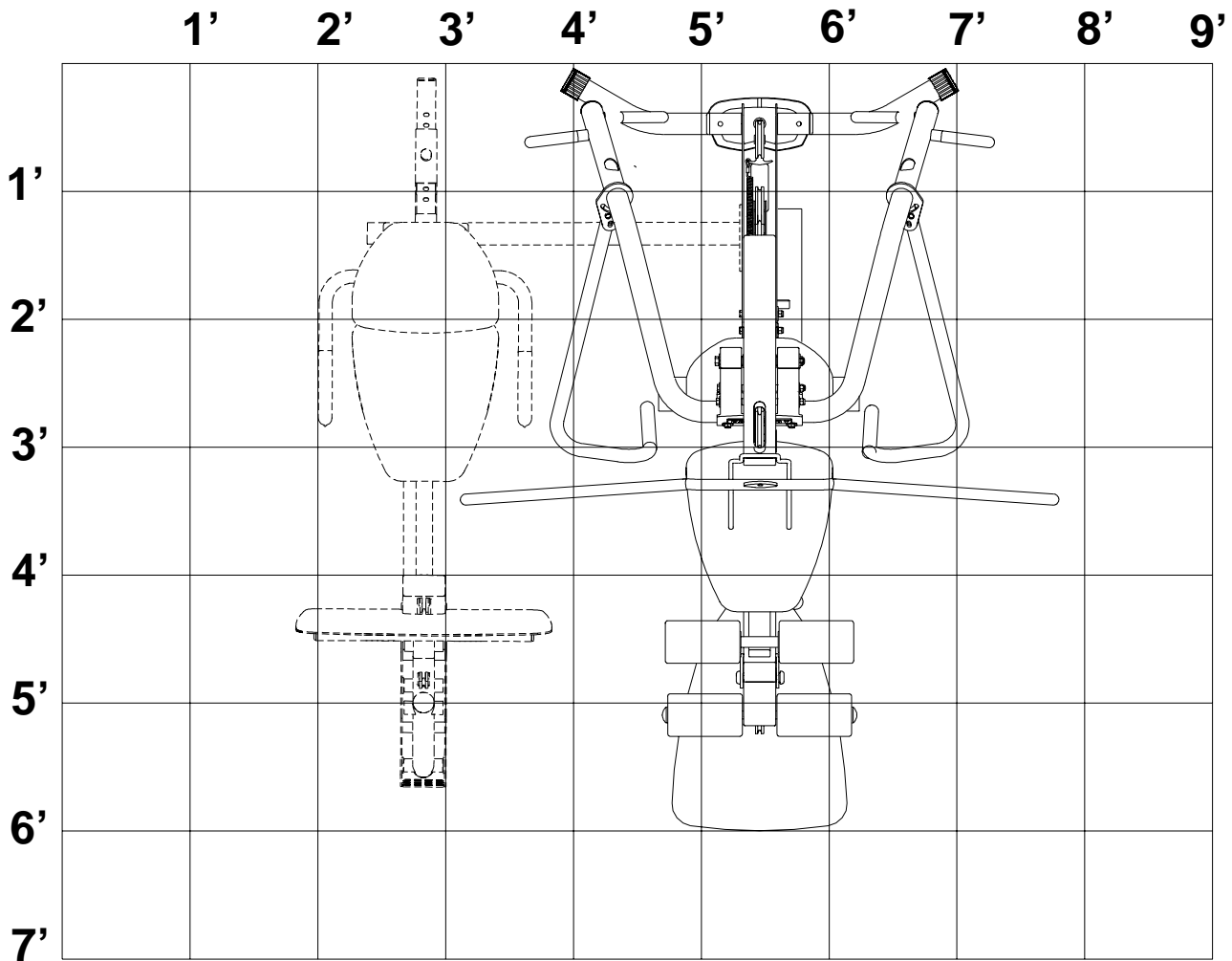
## Bolt Length Ruler

**NOTE: BOLT LENGTH IS MEASURED FROM THE UNDERSIDE OF THE HEAD OF THE BOLT.**



**BOLT LENGTH RULER:**





1 Square = 1' X 1'

### Minimum Required Usable Space

Length = 82 inches (208.5 cm) 6' 10"  
 Width = 71 inches (180.5 cm) 5' 11"  
 Height = 83 inches (211 cm) 6' 11"

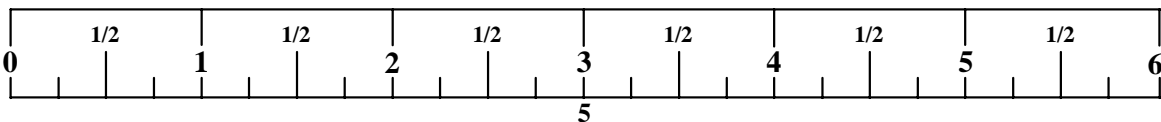
### Dimensions Including LP5 Leg Press (optional)

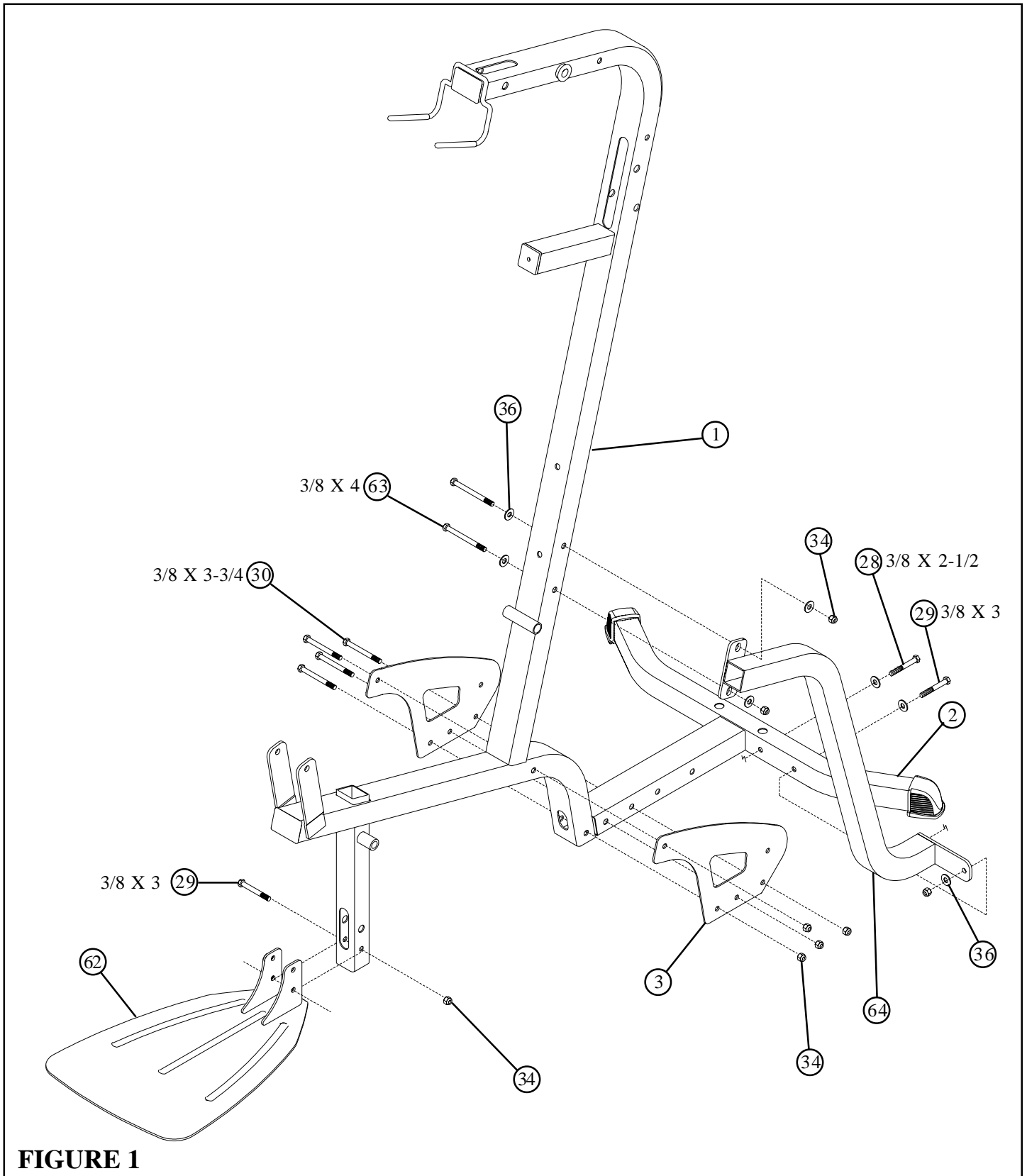
Length = 82 inches (208.5 cm) 6' 10"  
 Width = 108 inches (180.5 cm) 9' 0"

# PARTS LIST

KEY	PART #	DESCRIPTION	QTY	KEY	PART #	DESCRIPTION	QTY
1	ACU04-1163	FRAME	1	34	ACUDB2E03811000B	3/8" LOCK NUT	28
2	ACU04-1158	BASE	1	35	ACUDB2E01208000B	1/2" LOW HT LOCK NUT	1
3	ACU02-1060	BASE PLATE	2	36	ACUDC1250100020B	3/8" FLAT WASHER	24
4	ACU04-1160	BOOM PLATE LEFT	1	37	ACUDC126013020B	1/2" FLAT WASHER	2
5	ACU04-1384	BOOM PLATE RIGHT	1	38	ACU04-1171	3-1/2" CABLE GUARD	2
6	ACU04-1383	PRESS HANDLERIGHT	1	39	ACU06-0363	3/4" PLASTIC WASHER	4
7	ACU04-1161	PRESS HANDLE LEFT	1	40	ACU05-0322	3/4 X 4" SHAFT	1
8	ACU04-1164	PRESS ARM	1	41	ACU08-0074	3/8 X 3/4" FLANGE SPACER	2
9	ACU04-1159	PRIMARY PIVOT	1	42	ACU08-0073	3/8 X 1-1/16" FLANGE SPACER	8
10	ACU04-1162	SEAT ADJUST	1	43	ACU08-0011	3/8 X 1" LG SPACER	4
11	ACU04-1157	LEG PEDESTAL	1	44	ACU05-0320	3/8 X 1-1/2" LG SPACER	4
12	ACU02-1071	PULLEY PLATE	2	45	ACU04-1165	WEIGHT STACK SPACER	2
13	ACU07-0135	SEAT/BACK PAD	2	46	ACU06-0047	WEIGHT STACK CUSHION	2
14	ACU01-1782	3/4 X 17" TUBE	1	47	ACU05-0323	5/16 X 2" ROLL PIN	2
15	ACU6194601	4 X 7" ROLLER PAD	6	48	ACU05-0212	SHAFT COLLAR	2
16	ACU01-1783	72-3/8" GUIDEROD	2	49	ACU11-0059	TAPER/LOCK SPRING PIN	2
17	ACU04-1099	LAT BAR	1	50	ACU11-0068	T-HANDLE SPRING PIN	1
18	ACU01-2009	3/4 X 17/1/2" TUBE	2	51	ACU11-0060	WEIGHT SELECTOR PIN	1
19	ACU10-0204ASY	HEAD PLATE ASSY	1	52	ACU06-0194	STAR KNOB 3/8"	1
20	ACU13-0091-2	LAT CABLE	1	53	ACU05-0017	ADJUSTABLE GLIDE	1
21	ACU13-0019-1	LOW CABLE	1	54	ACU05-0036	STARLOCK COLLAR	6
22	ACU7292501	WEIGHT PLATE	15	55	ACU06-0357	RH CAP	2
24	ACU06-0024	3-1/2" PULLEY	12	56	ACU05-0311	1/2" RHCAP HOLDER WASHER	2
25	ACU12-0041	ANKLE STRAP	1	57	ACUDI1080080U	SNAP LINK	3
26	ACU05-0193	CHAIN	1	58	ACU04-0622	LOW ROW BAR	1
27	ACUDA1E03813416NB	3/8 X 1-3/4" BOLT	2	60	ACUDB2E01212000B	1/2" LOCK NUT	1
28	ACUDA1E03821216NB	3/8 X 2-1/2" BOLT	1	61	ACU7308601	WEIGHT STACK LABEL	1
29	ACUDA1E03830016NB	3/8 X 3" BOLT	9	62	ACU04-1100	FOOTPLATE	1
30	ACUDA1E03833416NB	3/8 X 3-3/4" BOLT	15	63	ACUDA1E03840016NB	3/8 X 4" BOLT	2
31	ACUDA1E03883416NB	3/8 X 8-3/4" BOLT	2	64	ACU04-1344	FRAME BRACE	1
32	ACUDA1C01210413NB	1/2 X 104mm BOLT	1	65	ACU06-0364	PRESS ARM SPACER	2
33	ACUDA1E01283413NB	1/2 X 8-3/4" BOLT	1	66	ACU06-0416	OVALEND CAP	2

**NOTE: SOME OF THE PARTS LISTED MAY BE PRE-INSTALLED.**

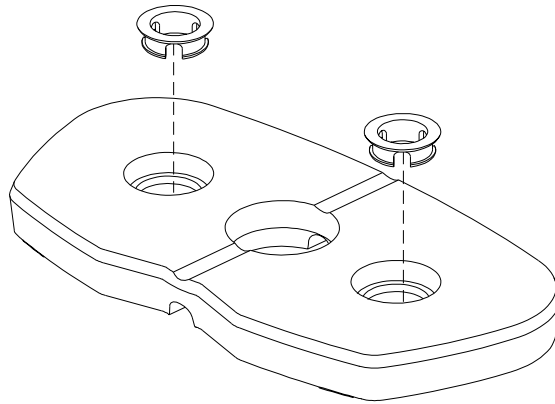




**FIGURE 1**

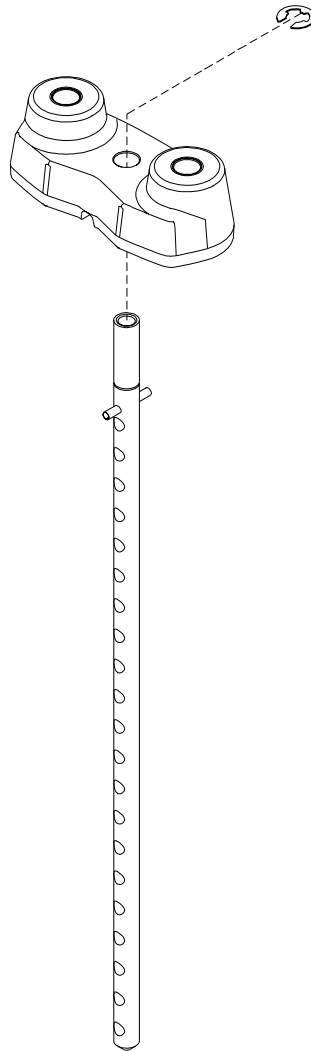
**STEP 1:**

- **LOOSELY** assemble two BASE PLATES (3) to the FRAME (1) and BASE (2) using four 3/8 X 3-3/4" BOLTS (30) and four 3/8" LOCK NUTS (34). See FIGURE 1.
- **LOOSELY** assemble the FOOTPLATE (62) to the lower holes in the FRAME (1) using one 3/8 x 3" BOLT (29) and one 3/8 LOCKNUT (34)
- **LOOSELY** assemble the **TOP** of FRAME BRACE (64) to the FRAME (1) using two 3/8 x 4" BOLT (63), two 3/8 WASHERS (36) and two 3/8 LOCKNUTS (34) Assemble **BOTTOM** of FRAME BRACE (64) to FRAME (2) using one 3/8 x 3" BOLT (29), one 3/8 x 2-1/2" BOLT (28) three 3/8 WASHERS (36) and one 3/8 LOCKNUT (34)



**FIGURE 2**

- CHECK THAT THE HEADPLATE AND WEIGHT PLATES ARE ASSEMBLED AS SHOWN IN FIGURES 2 & 3

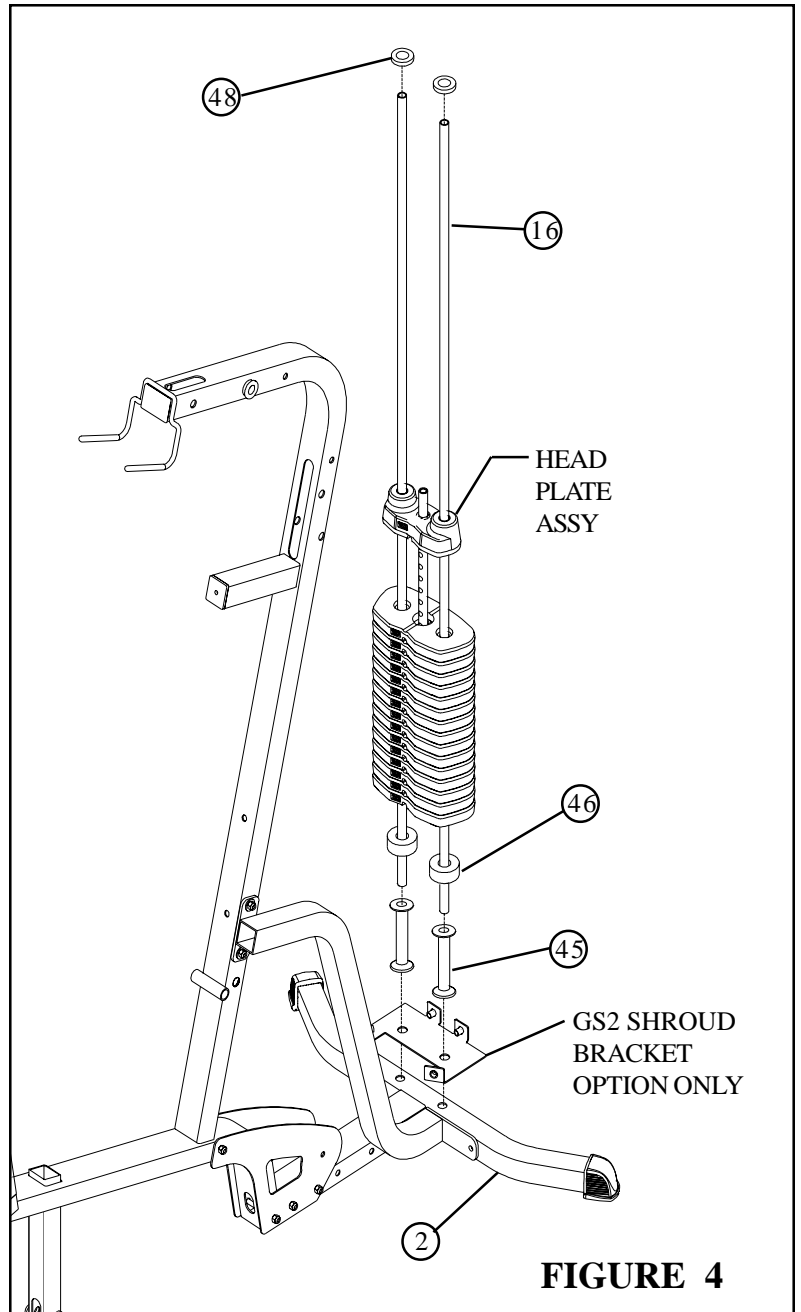
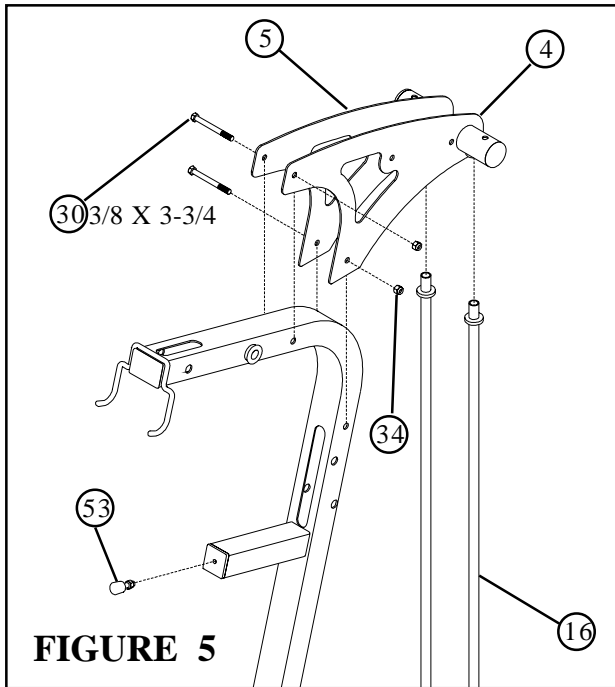


**FIGURE 3**



**STEP 4:**

- Insert two GUIDE RODS (16) into the BASE (2) as shown on FIGURE 4. (NOTE: If the GS2 SHROUD OPTION was purchased, place the GUIDE RODS (16) through the BOTTOM SHROUD BRACKET (FOUND IN THE SHROUD KIT BOX) into the BASE (2), as shown in FIGURE 4.
- (NOTE: Lubricate GUIDE RODS (16) with silicon or teflon spray available at most hardware stores.)
- Slide the following items in order down each GUIDE ROD (16), one WEIGHT STACK SPACER (45), and one WEIGHT STACK CUSHION (46)
- Using **EXTREME CARE** slide all fifteen WEIGHT PLATES (22) down the GUIDE RODS (16) onto the WEIGHT STACK CUSHIONS (46). Make sure that the keyholes of the WEIGHT PLATES (22) are all facing the right way.
- Slide the head plate assembly down GUIDE RODS (16) onto the weight stack.
- S  
C



**STEP 5:**

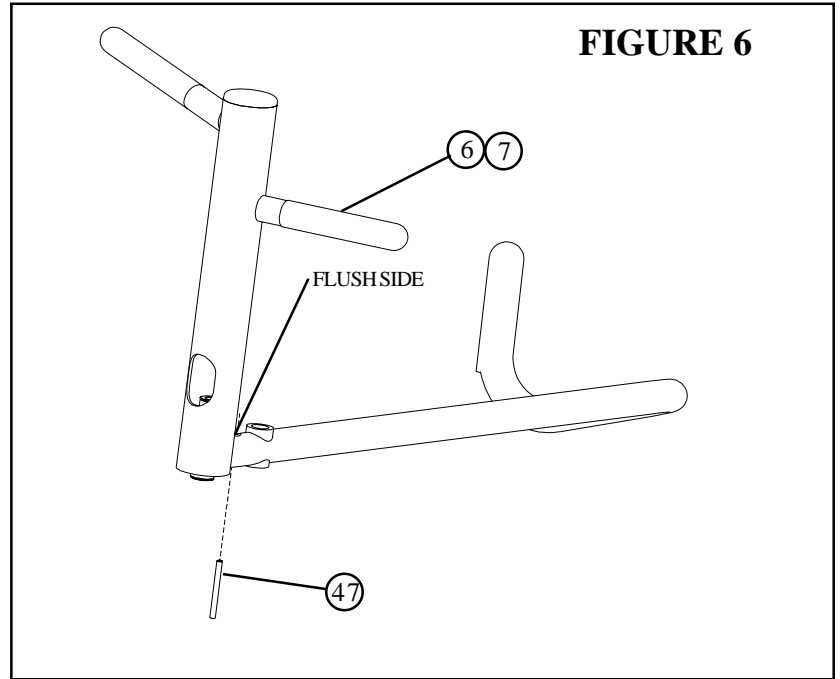


- Carefully slide the RIGHT (5) and LEFT (4) BOOM PLATES onto the GUIDE RODS (16) as shown in FIGURE 5 and loosely assembly BOOM PLATES (5), (4) to frame (1) using two 3/8 x 3-3/4" BOLTS (30) and two 3/8" LOCK NUT (34) [CAUTION MUST BE TAKEN NOT TO PULL GUIDE RODS (16) OUT OF BASE (2)]
- Screw ADJUSTABLE GLIDE (53) approximately 1/2" into FRAME (1) and tighten jam nut securely as shown



**STEP 6:**

- Using hammer tap one 5/16 X 2" ROLL PIN (47) thru LEFT PRESS HANDLE (7) until it is flush with other side of HANDLE as shown in FIGURE 6
- Repeat STEP 6 for the RIGHT PRESS ARM HANDLE (6)



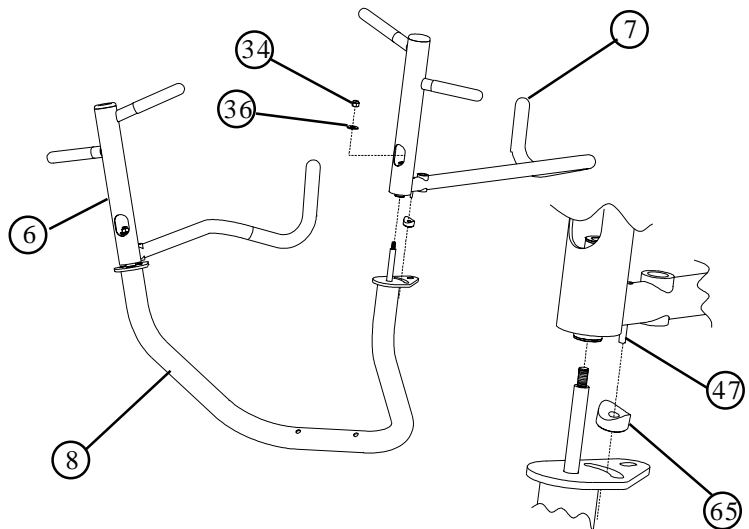
**FIGURE 6**

**STEP 7:**

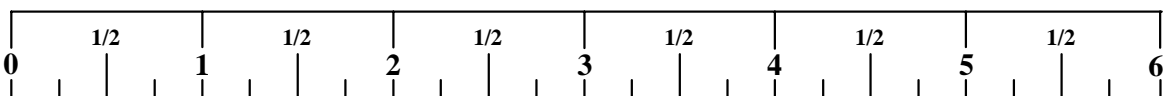
- Place LEFT PRESS HANDLE (7) onto PRESS ARM (8). Place PRESS ARM SPACER (65) as shown over 5/6 x 2 ROLL PIN (47), make sure that the 5/16 X 2" ROLL PIN (47) passes into the slot located in the plate of the PRESS ARM (8)
- Once in place secure and tighten the LEFT PRESS HANDLE (7) to PRESS ARM (8) using one 3/8" WASHER (36) and one 3/8" LOCK NUT (34)
- **IMPORTANT!** Do not overtighten: PRESS ARM should rotate freely
- Repeat STEP 7 for the RIGHT PRESS ARM HANDLE (6)

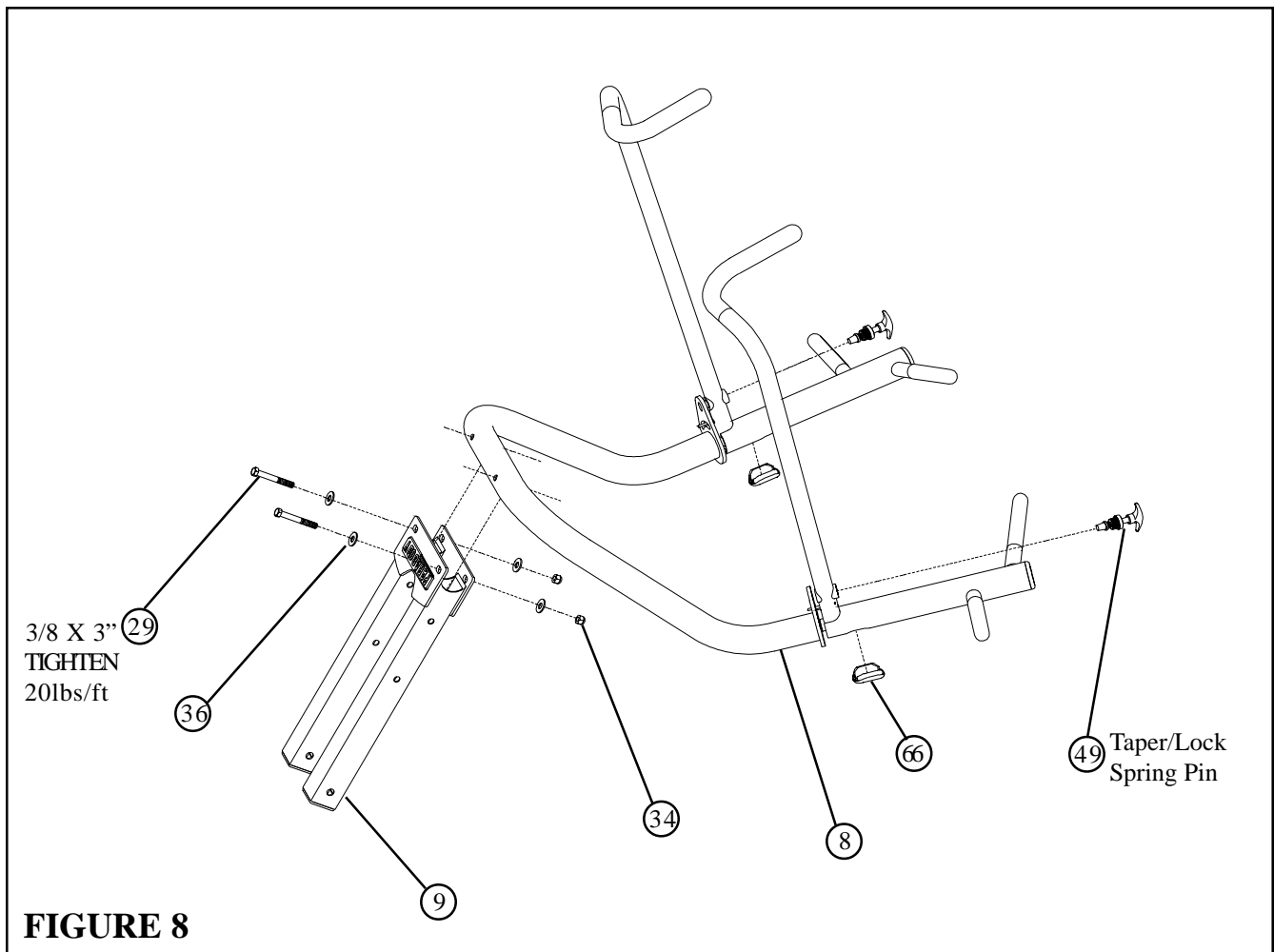
**NOTE:**

Place PRESS ARM (8) upside down on floor as shown to complete this step. **HANDLES (7) MUST BE PLACED TOWARDS INSIDE OF PRESS ARM**



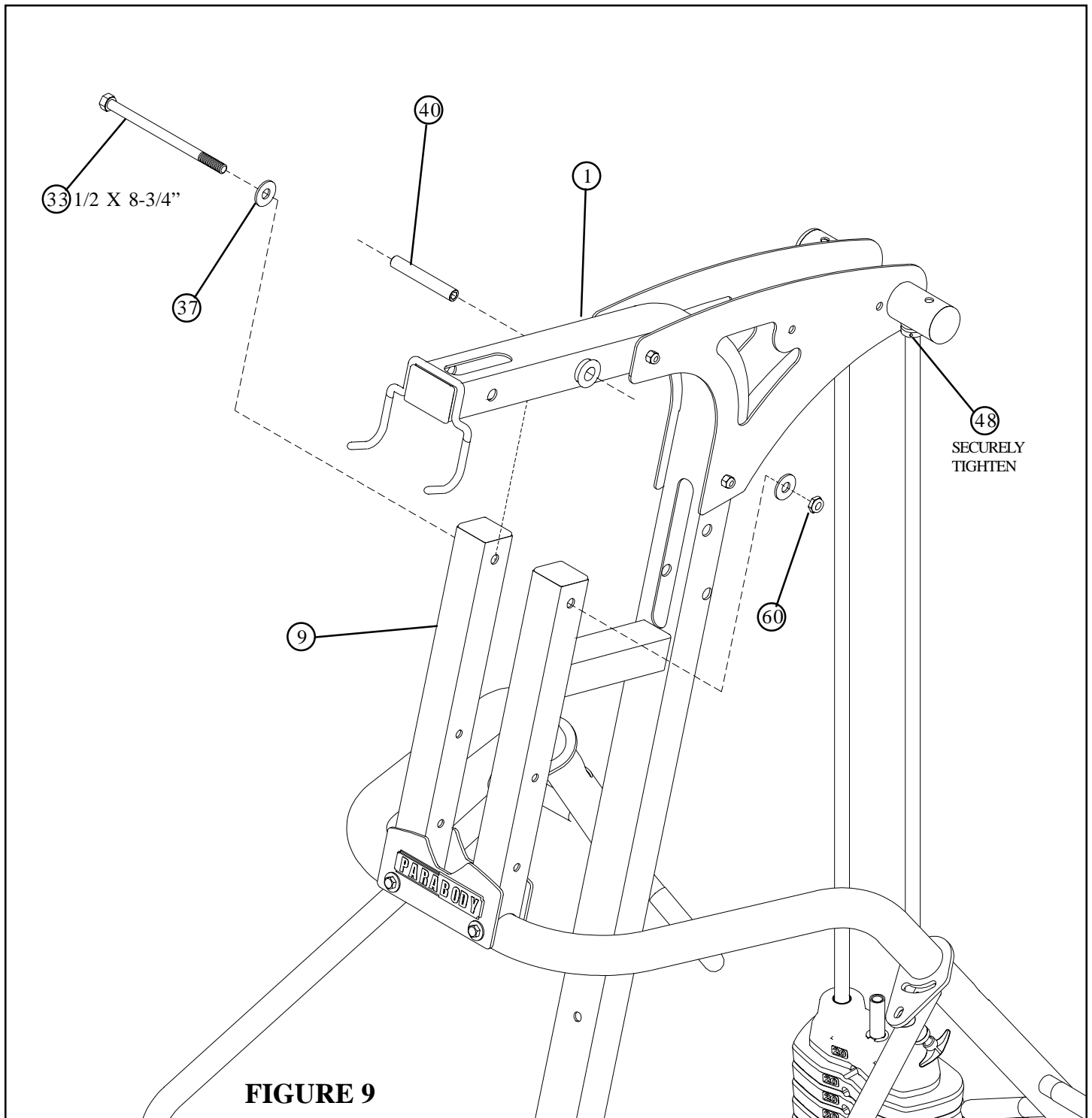
**FIGURE 7**





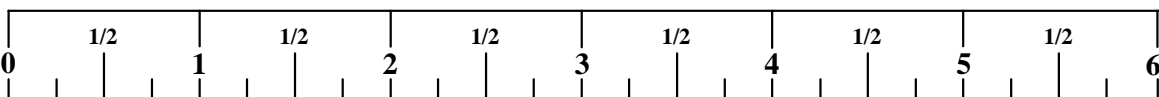
**STEP 8:**

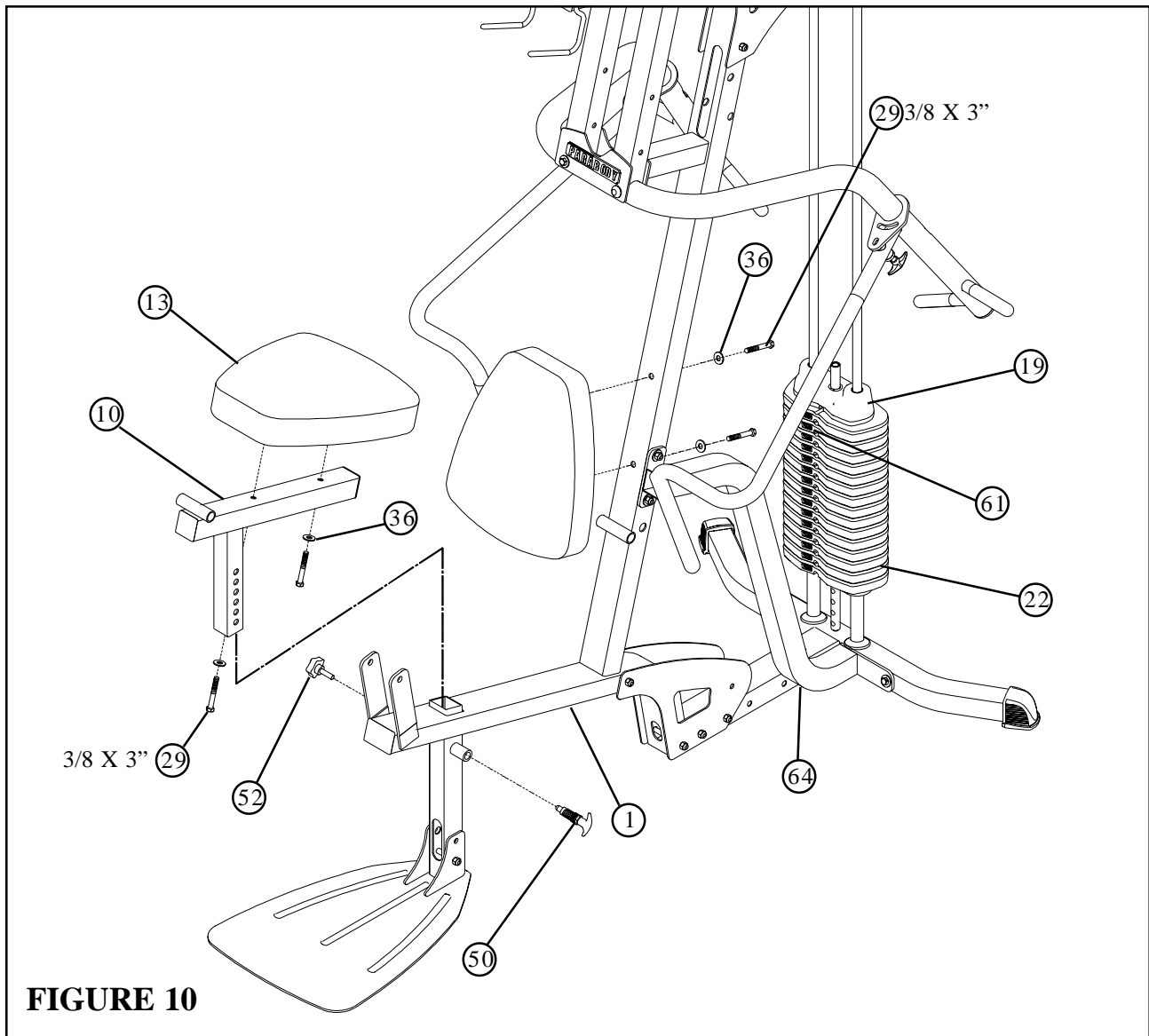
- Place PRESS ARM (8) into PRIMARY PIVOT (9) and securely tighten using two 3/8 X 3" BOLTS (29), four 3/8" FLAT WASHERS (36) two 3/8" LOCK NUTS (34)
- Insert and tighten two 3/8" TAPER/LOCK SPRING PINS (49) into PRESS HANDLES (6), (7).
- Lock PRESS ARMS (6), (7) into place using 3/8" LOCKING SPRING PINS (49)
- Insert one OVAL END CAP (66) into opening of each arm as shown in FIGURE 8
- To disengage LOCKING SPRING PINS (49), pull out and twist 1/4 turn.



### STEP 9

- **SECURELY TIGHTEN ALL FRAME CONNECTION BEFORE PROCEEDING TO NEXT STEP**
- **SECURELY TIGHTEN** top of both SHAFT COLLARS (48) flush to bottom of both BOOM PLATES (4),(5)
- Insert one 3/4 x 4" SHAFT (40) into both 3/4" FLANGE BEARINGS on FRAME (1)
- Assemble the PRIMARY PIVOT (9) of the PRESS ARM ASSEMBLY to the top of the FRAME (1) using 1/2 X 8-3/4" BOLT (33), two 1/2" FLAT WASHERS (37) and 1/2" LOCK NUT (60).

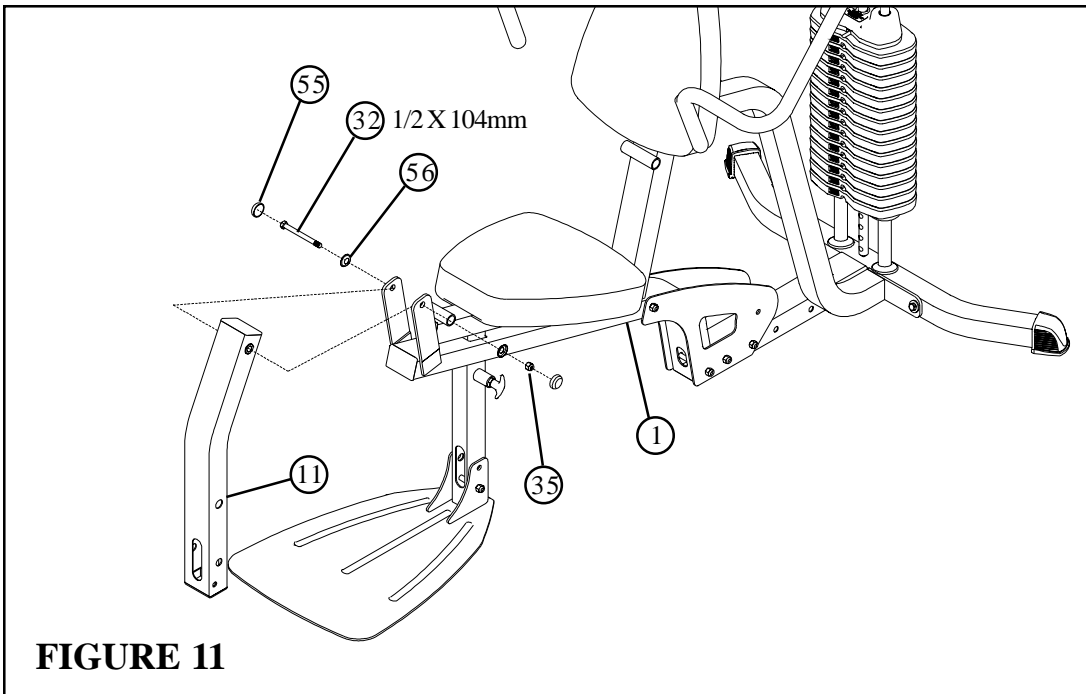




**FIGURE 10**

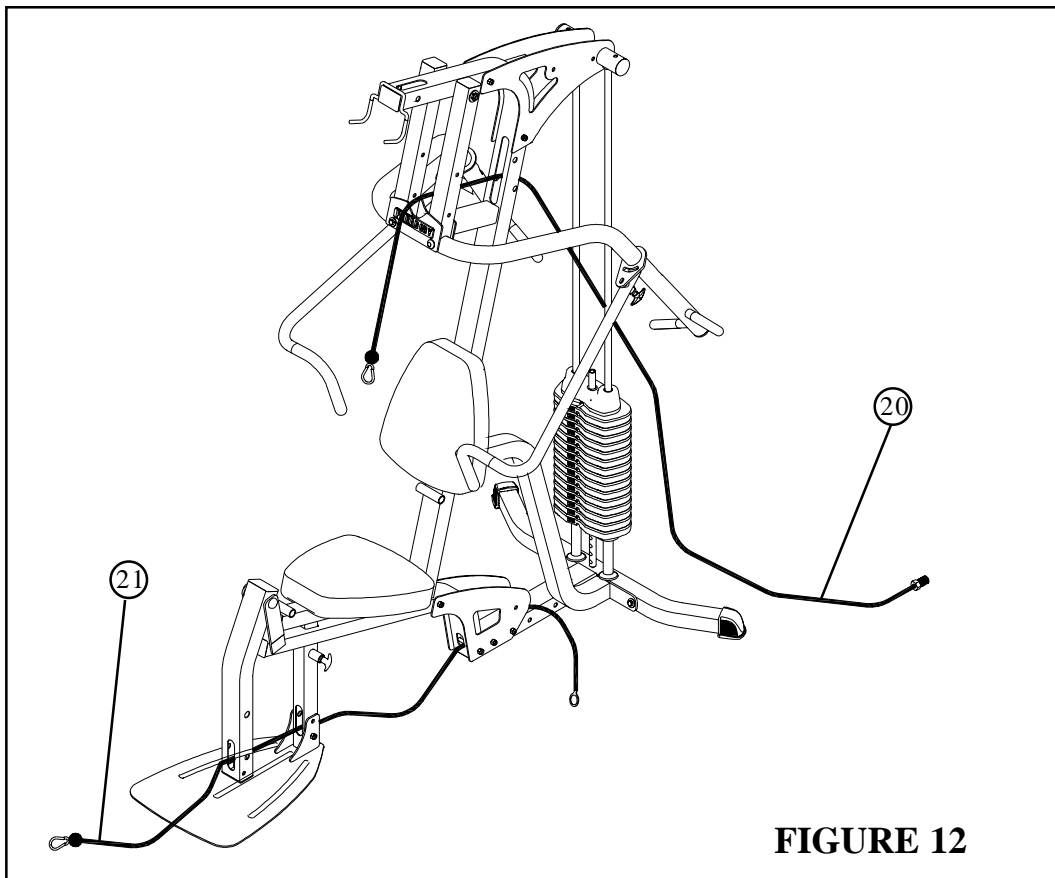
**STEP 10:**

- Apply WEIGHT STACK LABELS (61) to WEIGHTS (22) and HEAD PLATE (19) as shown in FIGURE 10. Begin with number one at the HEAD PLATE (19) with larger numbers in consecutive order towards bottom of weight stack.
- Securely assemble one SEAT PAD (13) to the SEAT ADJUSTMENT (10) using two 3/8 X 3" BOLTS (29) and two 3/8" WASHERS (36) as shown.
- Securely assemble one SEAT PAD (13) to the FRAME (1) using two 3/8 X 3" BOLTS (29) and two 3/8" WASHERS (36) as shown. **The top connection of the FRAME BRACE (64) may have to be loosened and then re-tightened after SEAT PAD (13) is tighten**
- Gently insert SEAT ADJUSTMENT (10) into tube located on FRAME (1)
- Securely tighten the SPRING PIN (50) to the FRAME (1) and hand tighten the STAR KNOB (52)



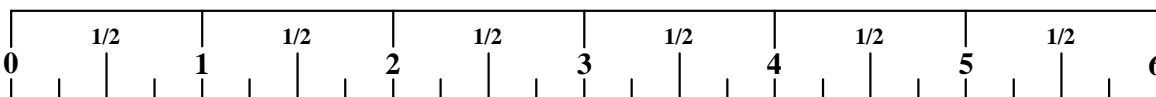
**STEP 11:**

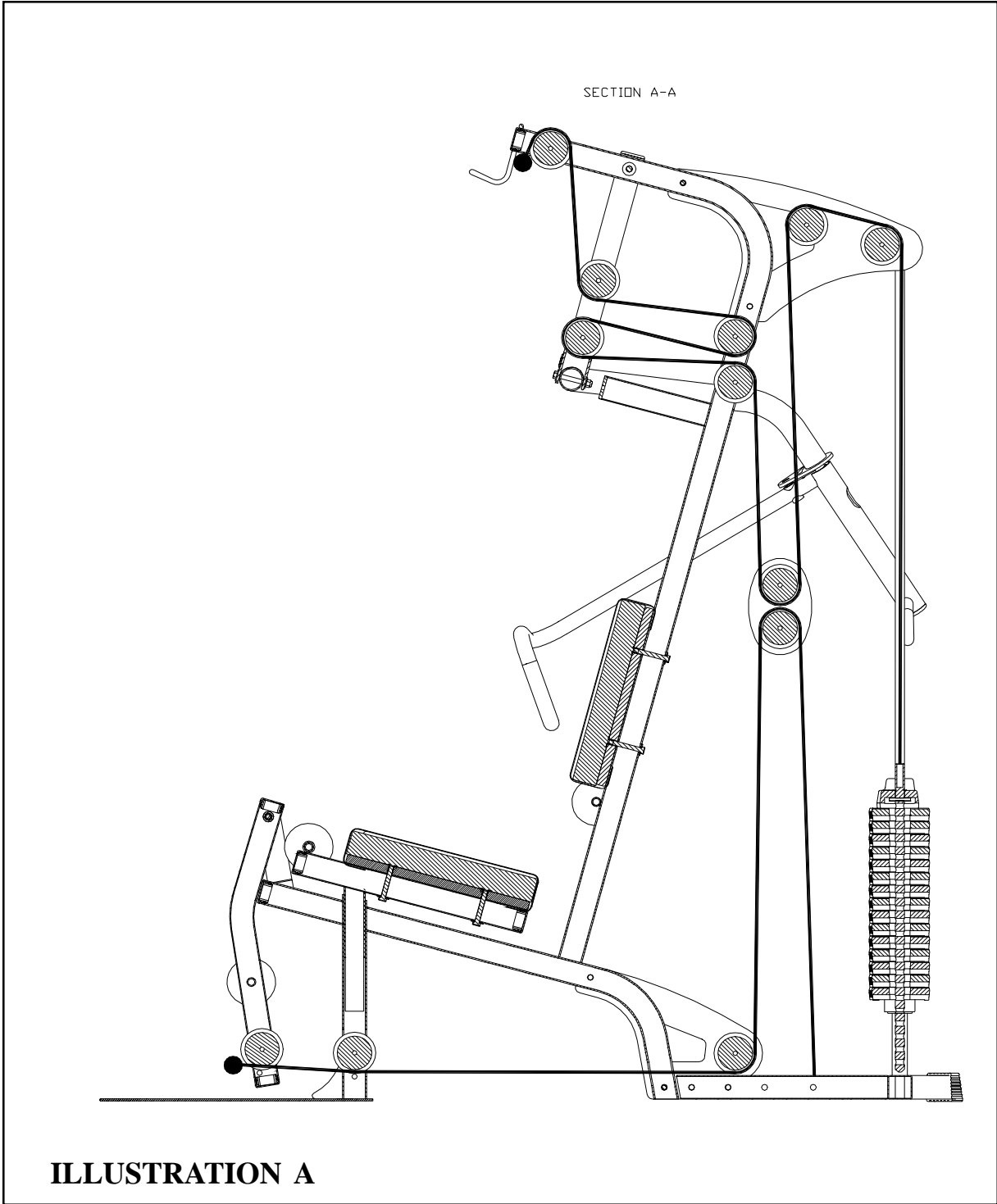
- Assemble the LEG PEDESTAL (11) to the FRAME (1) using one 1/2 X 104mm BOLT (32), two RH WASHERS (56) and one 1/2" LOW HT LOCK NUT (35)
- Assemble two RH CAPS (55) to the 1/2" RH WASHERS (56) as shown in FIGURE 11



**STEP 12:**

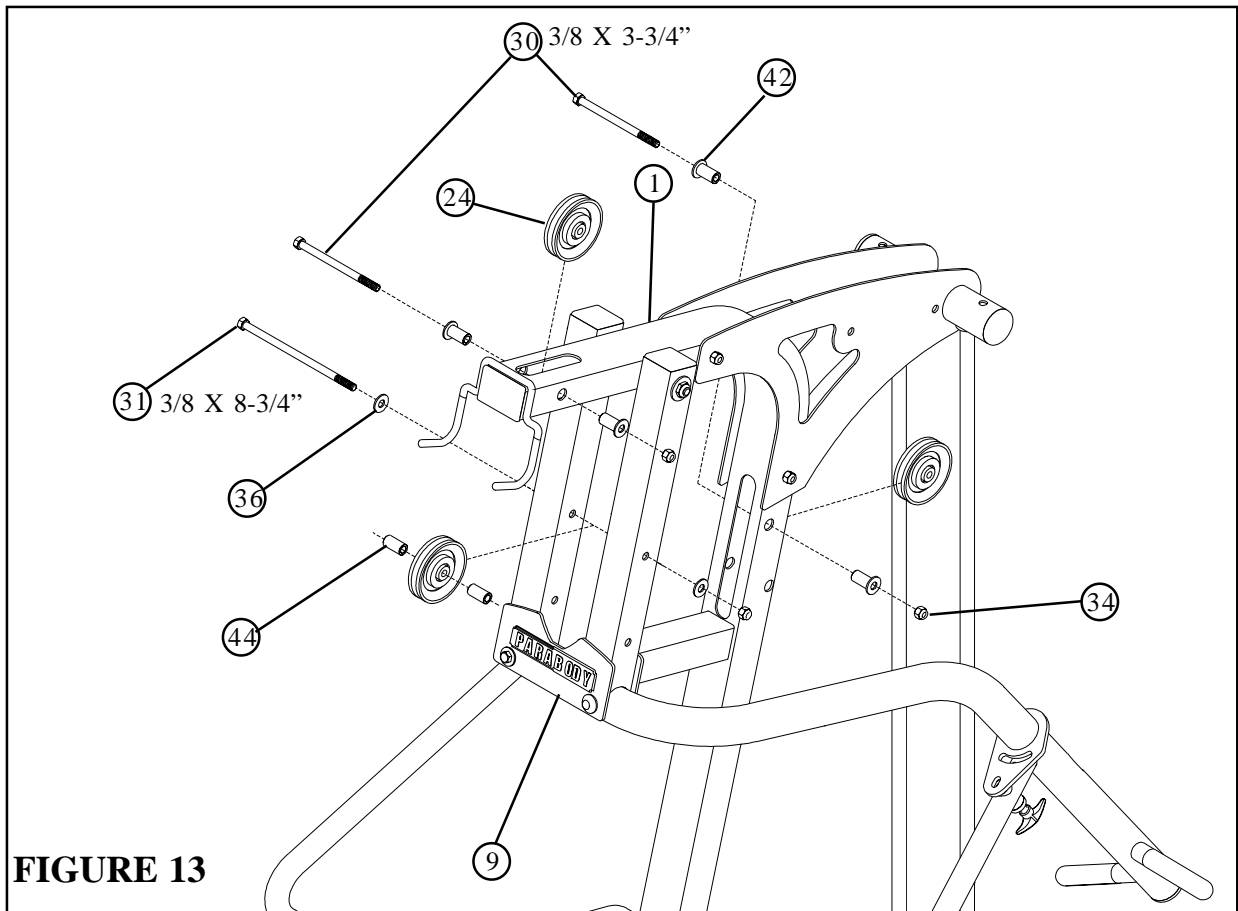
- Route LAT CABLE (20) and LOW CABLE (21) as shown in FIGURE 12





- ILLUSTRATION “A” used as cable routing reference for steps 13-16

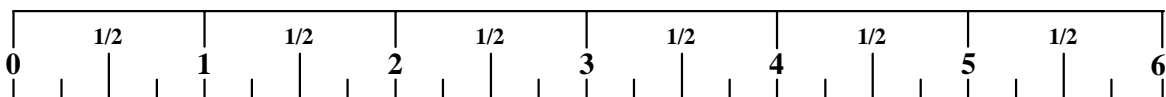
**NOTE:** IF YOU PURCHASED A LEG PRESS, PLEASE REFER TO THE CABLE ROUTING INSTRUCTIONS INCLUDED WITH THE LEG PRESS KIT

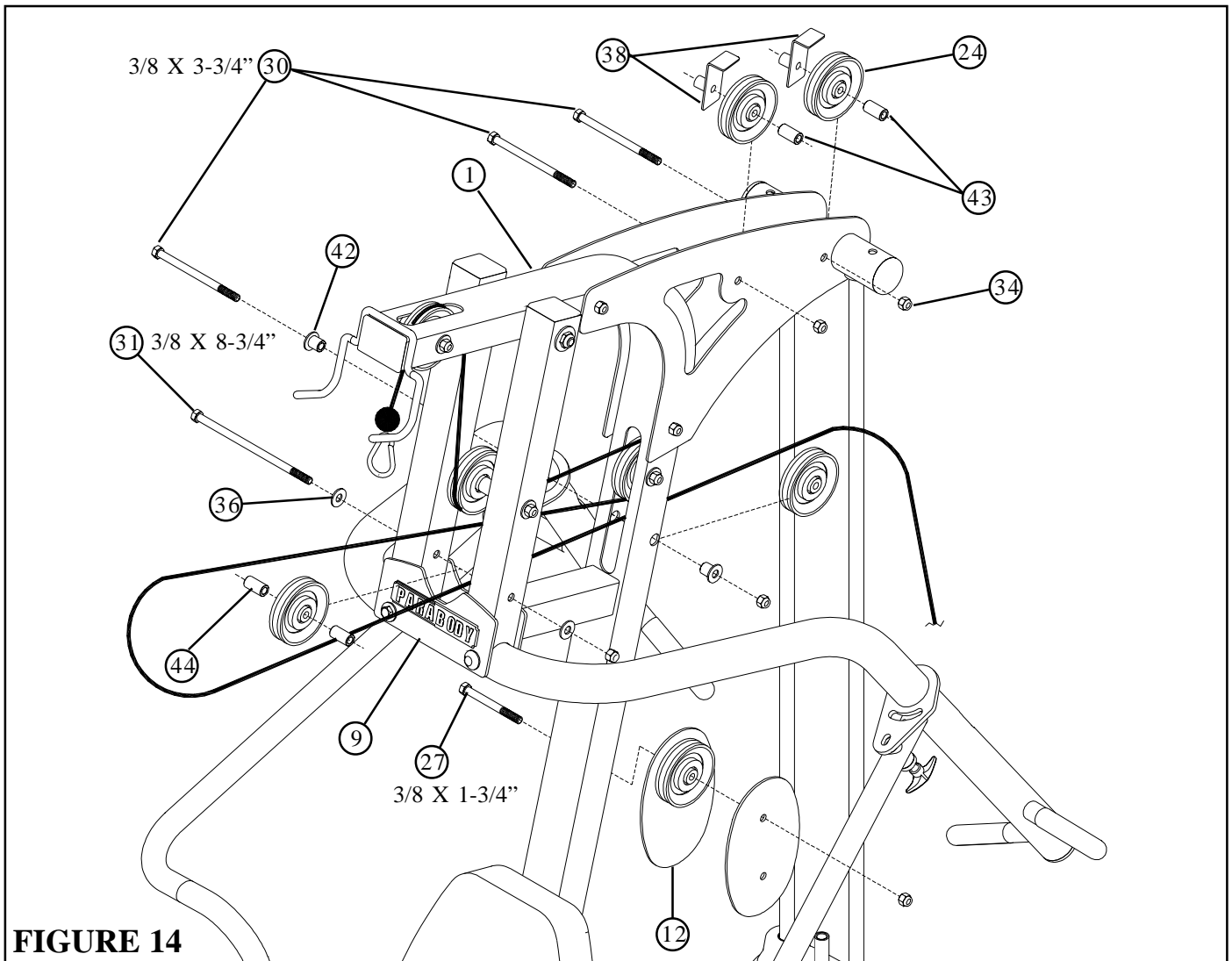


**FIGURE 13**

**STEP 13:**

- Refer to cable ILLUSTRATION “A” on page 14 for cable routing while installing pulleys.
- Assemble two 3-1/2” PULLEYS (24) into FRAME (1) using two 3/8 X 3-3/4” BOLTS (30), four 3/8 X 1-1/16” FLANGE SPACERS (42) and two 3/8” LOCK NUTS (34) and tighten securely.
- Assemble one 3-1/2” PULLEY (24) into PRIMARY PIVOT (9) upper hole using one 3/8 X 8-3/4” BOLT (31), two 3/8” FLAT WASHERS (36), two 3/8 X 1-1/2” SPACERS (44) and one 3/8” LOCK NUT (34) and tighten securely

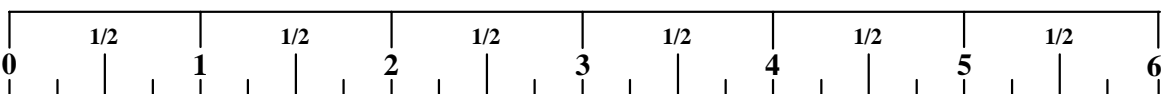




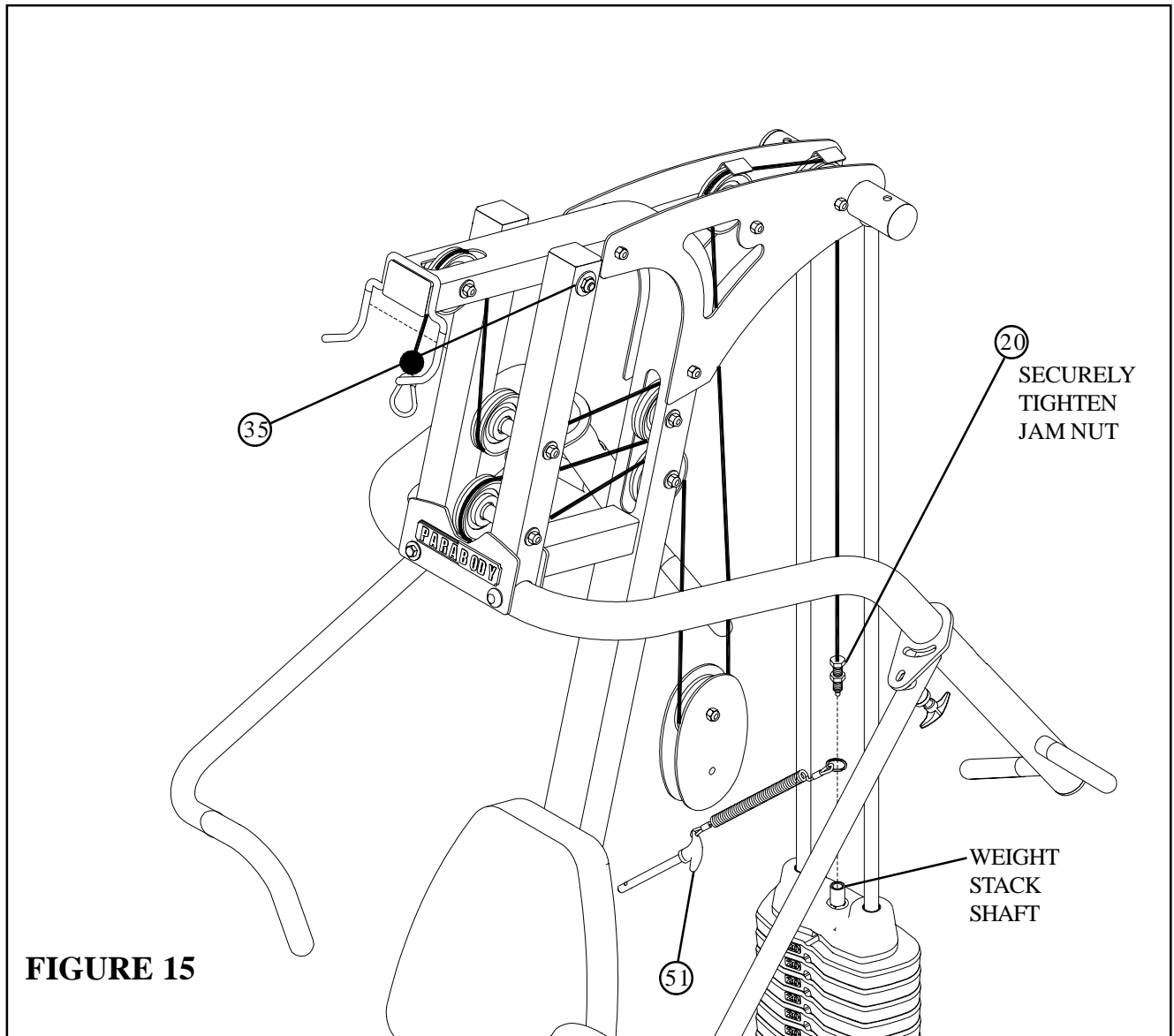
**FIGURE 14**

**STEP 14:**

- Refer to cable ILLUSTRATION “A” on page 14 for cable routing while installing pulleys.
- Assemble one 3-1/2” PULLEY (24) into the PRIMARY PIVOT (9) lower hole using one 3/8 X 8-3/4” BOLT (31), two 3/8” FLAT WASHERS (36), two 3/8 X 1-1/2” SPACERS (44) and one 3/8” LOCK NUT (34) and tighten securely.
- Assemble one 3-1/2” PULLEY (24) to the FRAME (1) using one 3/8 X 3-3/4” BOLT (30), two 3/8 X 1-1/16” FLANGE SPACERS (42), one 3/8” LOCK NUT (34) and tighten securely
- Loosely assemble one 3-1/2” PULLEY (24) between PULLEY PLATES (12) using one 3/8 X 1-3/4” BOLT (27) and one 3/8” LOCK NUT (34).
- Assemble two 3-1/2” PULLEYS (24) between the left and right BOOM PLATES (4) and (5) using two 3/8 X 3-3/4” BOLTS (30), two 3/8 X 1” SPACERS (43), two 3-1/2” CABLE GUARDS (38) and two 3/8” LOCK NUTS (34)

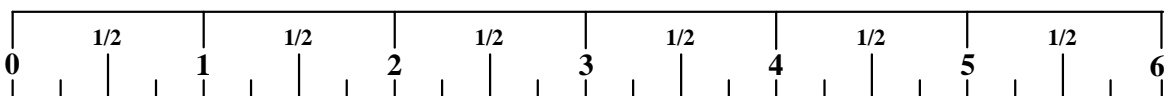


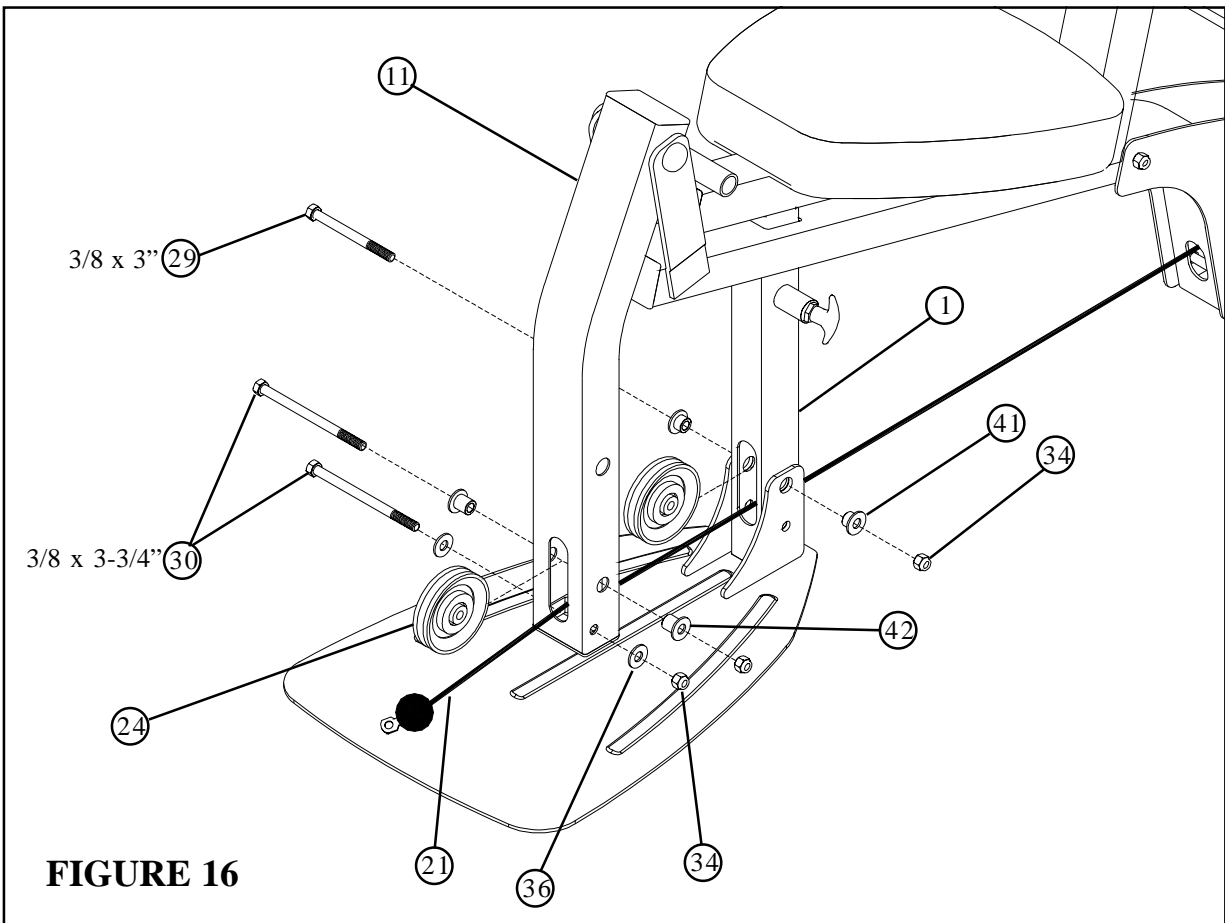




**STEP 15**

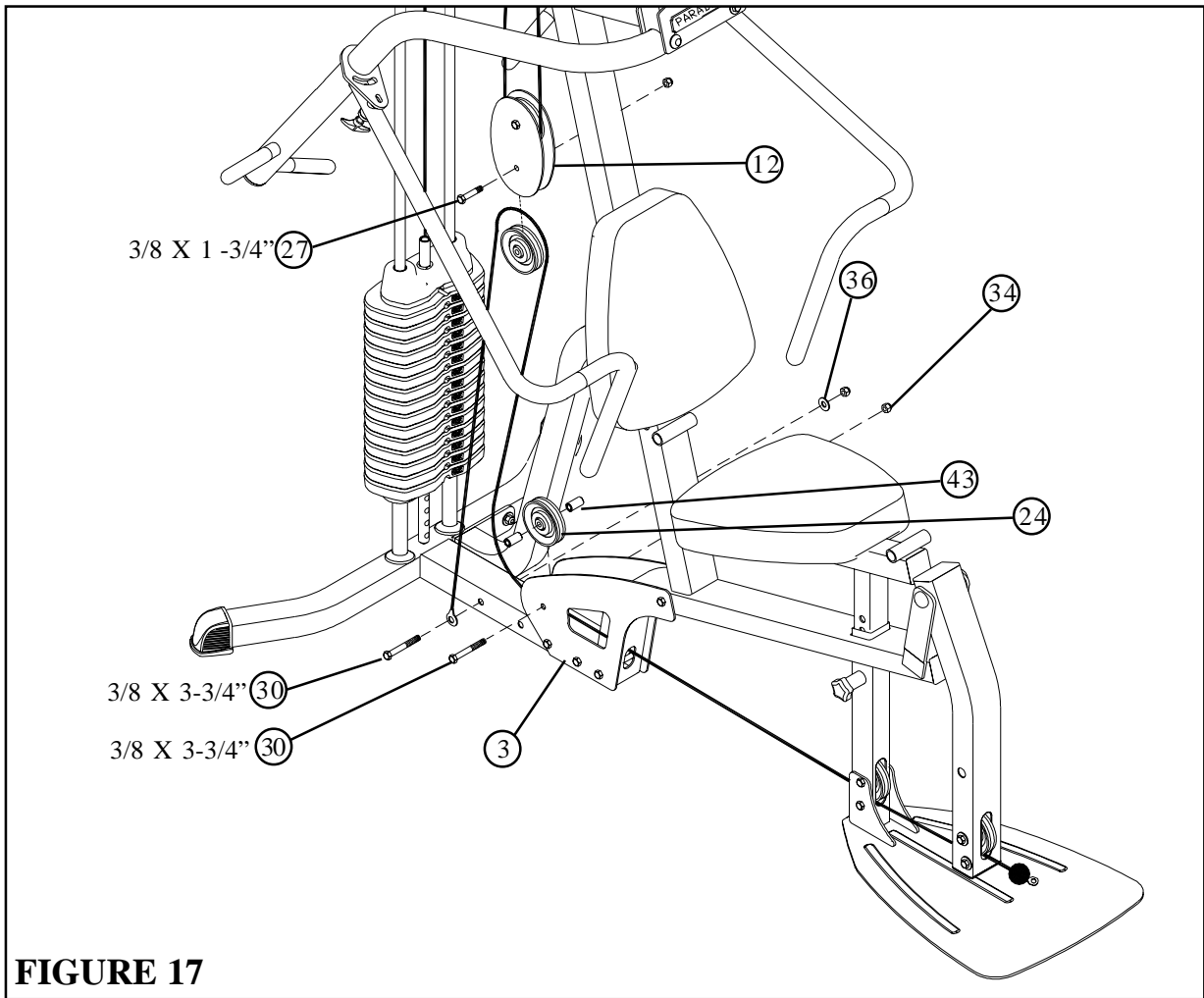
- Slip ring of WEIGHT SELECTOR PIN (51) down WEIGHT STACK SHAFT and insert pin into one of the weights
- Screw end of LAT CABLE (20) into top of PLATE SHAFT (18) and securely tighten JAM NUT as shown in FIGURE 15
- Securely tighten 1/2" LOCK NUT (35) on PRIMARY PIVOT of PRESS ARM (9).





**STEP 16:**

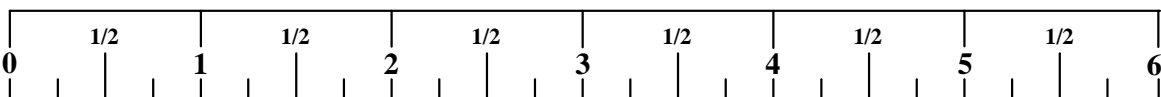
- Refer to cable ILLUSTRATION “A” on page 14 for cable routing while installing pulleys.
- [CABLE MUST BE POSITIONED BETWEEN PULLEY AND LOWER BOLT ASSEMBLY ON LEG PEDESTAL (11) AND FRAME (1)]
- Securely assemble the ball end of the LOW CABLE (21) and one 3-1/2” PULLEY (24) to the LEG PEDESTAL (11) using two 3/8 X 3-3/4” BOLTS (30), two 3/8” X 1-1/16” FLANGE SPACERS (42), two 3/8” WASHERS (36), and two 3/8” LOCKNUTS (34). (NOTE: The LEG CABLE (21) should be routed over the retaining bolt as shown in FIGURE 16.)
- Securely assemble one 3-1/2” PULLEY (24) and two 3/8 X 3/4 FLANGE SPACERS (41) to the FRAME (1) using one 3/8 X 3” BOLTS (29), and one 3/8” LOCKNUT (34). (NOTE: The LEG CABLE (21) should be routed over the retaining bolt as shown in FIGURE 16.)

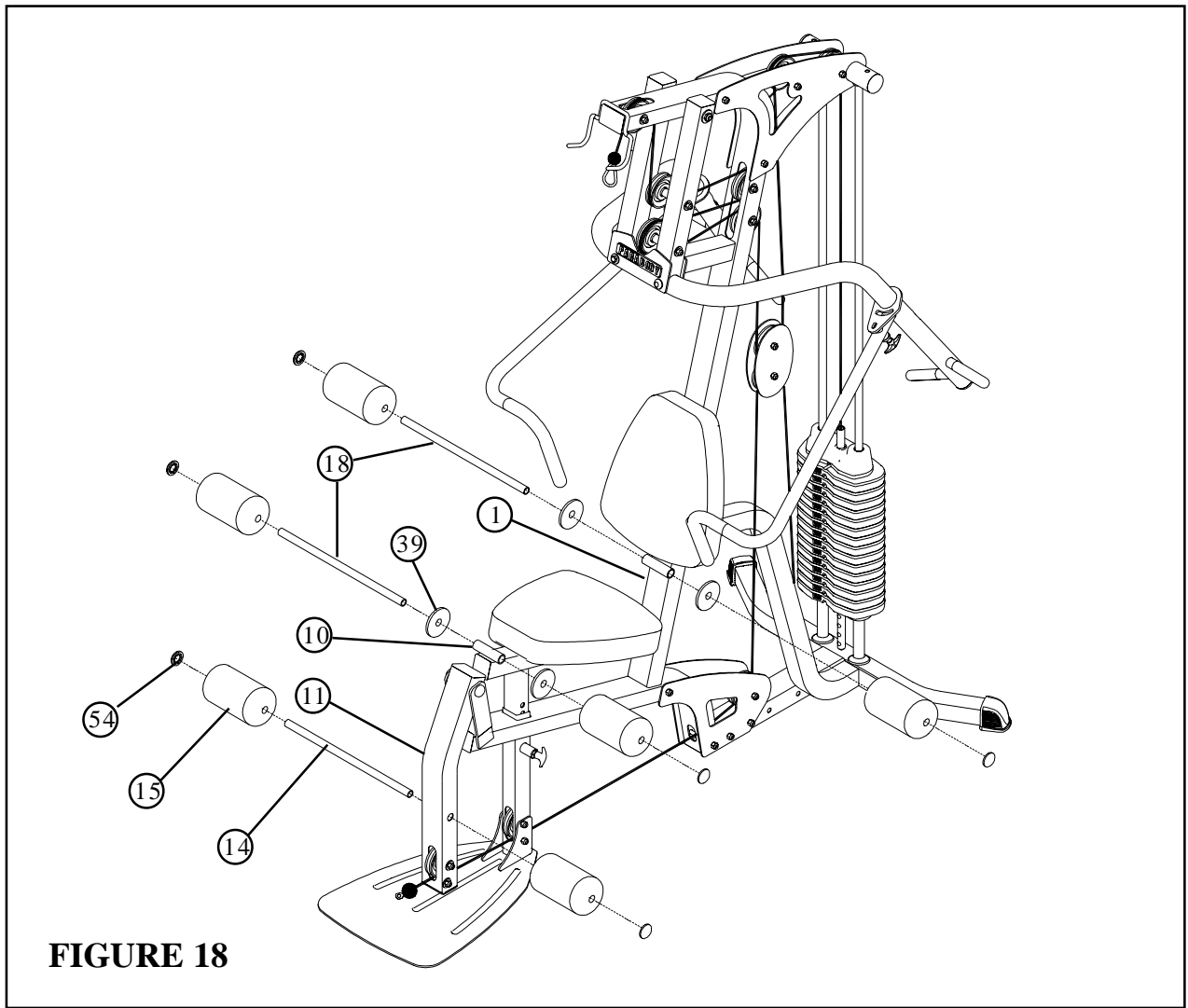


**FIGURE 17**

**STEP 17:**

- Refer to cable ILLUSTRATION “A” on page 14 for cable routing while installing pulleys.
- Assemble one 3-1/2” PULLEY (24) between BASE PLATES (3) using one 3/8 X 3-3/4” BOLT (30), two 3/8 X 1” SPACERS (43), one 3/8” LOCK NUT (34) and tighten securely.
- Loosely assemble one 3-1/2” PULLEY (24) between the PULLEY PLATES (12) using one 3/8 X 1-3/4” BOLT (27), and one 3/8” LOCK NUT (34).
- Secure end of LOW CABLE (21) using one 3/8 x 3-3/4” BOLT (30), one 3/8” FLAT WASHER (36) and one 3/8” LOCK NUT (34) as shown in FIGURE 17
- Tighten both 3-1/2” PULLEYS (24) located on PULLEY PLATES (12)

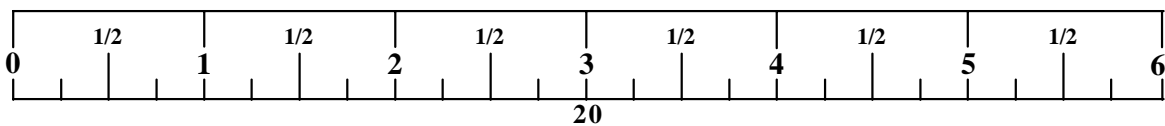


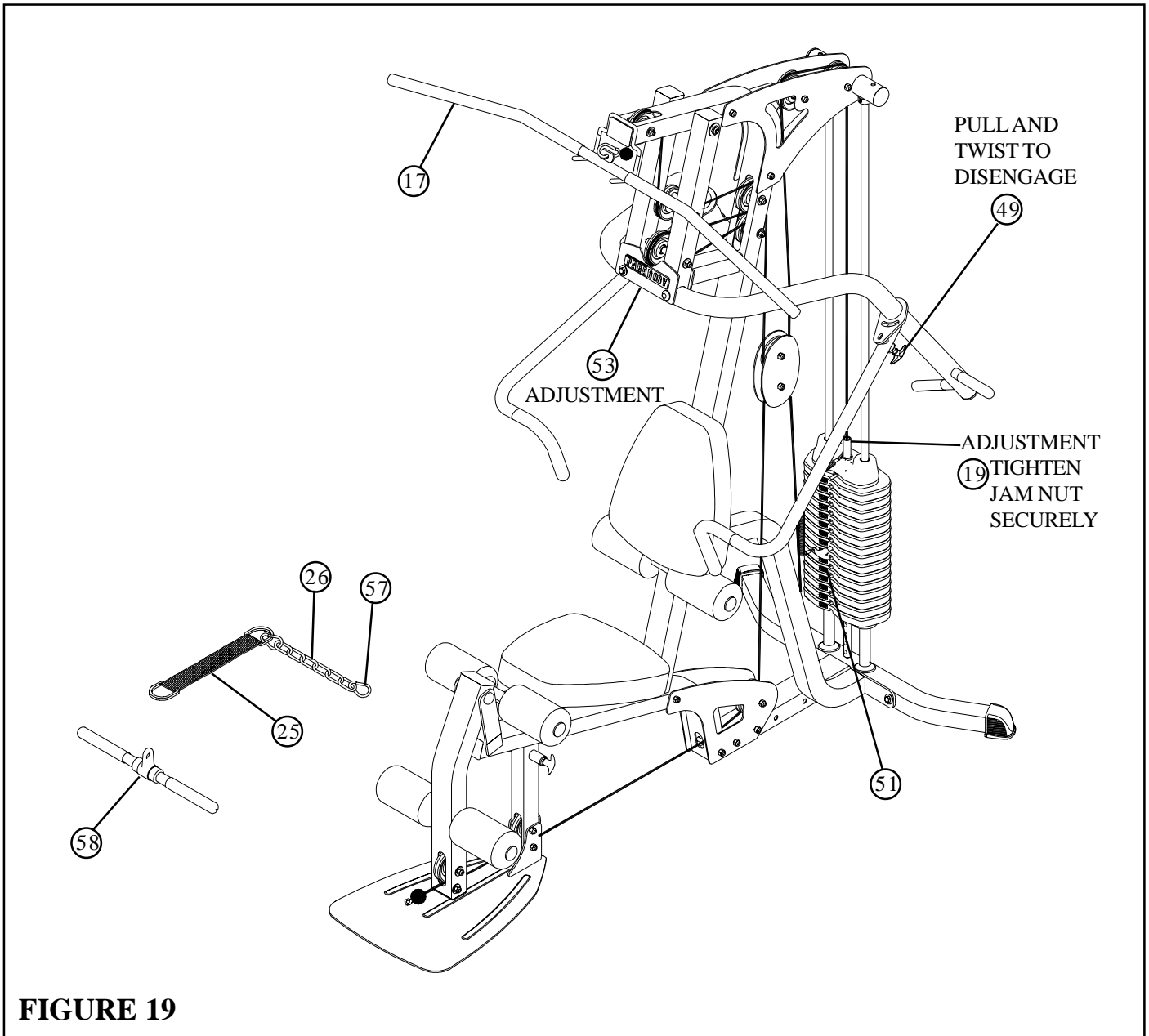


**FIGURE 18**

**STEP 18:**

- Attach two 4 X 7" ROLLER PADS (15) to the LEG PEDESTAL (11) using one 3/4 X 17" TUBE (14) and two 3/4" STARLOCK COLLARS (54) as shown in FIGURE 18.
- Attach two 4 X 7" ROLLER PADS (15) to the SEAT ADJUST (10) using one 3/4 X 17-1/2" TUBE (18), two PLASTIC WASHERS (39) and two 3/4" STARLOCK COLLARS (54) as shown in FIGURE 18.
- Attach two 4 X 7" ROLLER PADS (15) to the FRAME (1) using one 3/4 X 17-1/2" TUBE (18), two PLASTIC WASHERS (39) and two 3/4" STARLOCK COLLARS (54) as shown in FIGURE 18.





**FIGURE 19**

**STEP 19:**

- If upon completion of assembly, the HEAD PLATE (19) does not sit on top of the first WEIGHT PLATE (22), push the HEAD PLATE (19) down, insert the WEIGHT SELECTOR PIN (51) and perform several repetitions at the press station. This will relax the cable system and prevent the HEAD PLATE (19) from lifting up. See FIGURE 19
- If after completing previous step, the HEAD PLATE (19) still does not sit on top of the first WEIGHT PLATE (22) or if there is excess slack in the cable system, adjust the threaded end of the LAT CABLE (20) and ADJUSTABLE GLIDE (53) accordingly and retighten the jam nuts. See figure 19
- For maximum performance, the HEAD PLATE (19) should just barely sit on the top WEIGHT PLATE (22)
- Attach the LAT BAR (17) to the ball end of LAT CABLE (20) using one SNAP LINK (57) as shown in FIGURE 19.
- Attach the ANKLE STRAP (25) to the 12 LINK CHAIN (26) using one SNAP LINK (57) as shown in FIGURE 19

**Thank you for purchasing the ParaBody GS2 Gym System. If unsure of proper use of equipment, call your local ParaBody distributor or call the ParaBody customer service department at (800) 328-9714**

# MAINTENANCE

**Please note:**

- \* We recommend cleaning your product (pads and frame) on a regular basis, using warm soapy water. Touch-up paint can be purchased from your ParaBody customer service representative at (800) 328-9714.
  
- \* Inspect equipment daily. Tighten all loose connections and replace worn parts immediately. Failure to do so may result in serious injury
  
- \* Lubricate guide rods with a teflon based (or equivalent) lubricant on a regular basis
  
- \* **PLEASE RECORD THE INFORMATION REQUESTED BELOW. IN THE EVENT YOU MAY NEED SERVICE YOU WILL BE ASKED FOR THIS INFORMATION. REMEMBER TO FILL OUT YOUR WARRANTY REGISTRATION CARD AND MAIL BACK.**

**MODEL #** \_\_\_\_\_

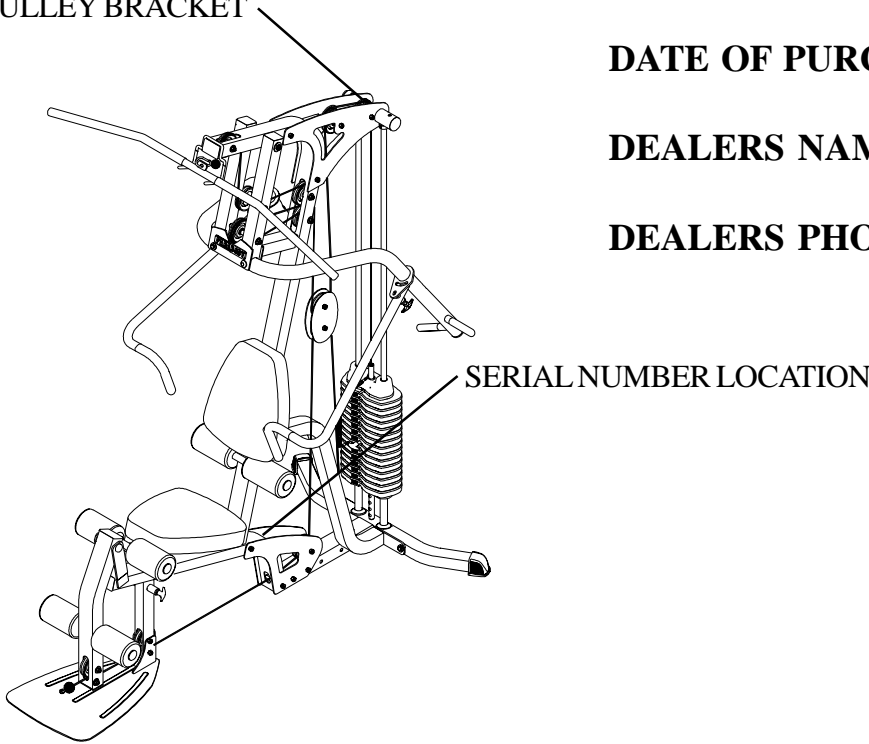
SERIAL NUMBER LOCATED ON  
PULLEY BRACKET

**SERIAL #** \_\_\_\_\_

**DATE OF PURCHASE:** \_\_\_\_\_

**DEALERS NAME:** \_\_\_\_\_

**DEALERS PHONE #** \_\_\_\_\_



**Thank you for purchasing the ParaBody GS2 Gym System.**

# LIMITED WARRANTY

ParaBody extends the following LIMITED WARRANTY to the original owner of the ParaBody products. The Warranty terms apply to IN HOME USE ONLY.

1. **LIMITED WARRANTY ON FRAME AND WELDS.** If the frame of the ParaBody product or a weld should crack or break, it will be repaired or replaced by ParaBody. Terms: Lifetime – for so long as the Customer owns the ParaBody product.
2. **LIMITED WARRANTY ON PARTS.** If the following parts are defective in material or workmanship, ParaBody will supply replacement parts: all bolts, nuts, washers, bearings, bushings, pulleys, thumbscrews, collars, cable retaining clips, adjustable pre-stretch slides, roller pad shafts, allen head bolts, weight selector pin, weight stack shaft, set screws, protector caps, adjustment chain, cotter pin, plunger, spring and knob. Terms: Lifetime – for so long as the Customer owns the ParaBody product.
3. **LIMITED WARRANTY ON CABLES AND UPHOLSTERY.** If the coated cables or upholstery are defective in material or workmanship, ParaBody will repair or replace them, at its option. Terms: Three (3) years.
4. **CONDITIONS AND EXCEPTIONS.** Any product misuse, abuse or alteration, any attempt to repair by a person other than an authorized ParaBody Service Center, any improper assembly, accident, or any other condition resulting from occurrences beyond the control of ParaBody will void this Limited Warranty.
5. **REPLACEMENT AND REPAIR EXPENSES.** ParaBody will provide only replacement parts or repair under this warranty. The Owner is responsible for all other costs. Such costs may include, but are not limited to: a. labor charges for service, removal, repair or reinstallation of the ParaBody product or any component part; b. shipping, delivery, handling and administrative charges for returning parts to ParaBody; and c. all necessary or incidental costs related to installation of the replacement parts.
6. **SHIPPING.** If shipping by the Owners is deemed necessary (in sole discretion of ParaBody), parts should be shipped in their original carton or equivalent packaging, fully insured with shipping charges prepaid. ParaBody will not assume any responsibility for any loss or damage incurred in shipping.
7. **CLAIM PROCEDURES.** If service on your ParaBody product is required during the warranty period, please contact our Customer Service Department at 1-800-328-9714 for instructions regarding returning or replacing parts. Please have available the following information: (i) the dealer's name; (ii) the date of purchase; (iii) the serial # (s) of your product (the serial number location is called out on the final assembly drawing included with your assembly instruction); (iv) a description of the nature of the problem.
8. **OWNER'S RIGHT.** This Limited Warranty gives you specific legal rights. You may also have other rights, which vary depending on local law.
9. **LIMITATION OF IMPLIED WARRANTIES.** All implied warranties, except to the extent prohibited by applicable law, shall have no greater duration than the warranty period set forth above. There are no warranties which extend beyond the description in this Limited Warranty. Because local laws do not allow limitations on how long an implied warranty lasts, the above limitations may not apply to you.
10. **DISCLAIMER.** No other express warranty has been made or will be made on behalf of ParaBody with respect to any ParaBody product or the operation, repair or replacement of any ParaBody product. ParaBody shall not be responsible for injury, loss of use of the ParaBody product, inconvenience, loss or damage to personal property, whether direct or indirect, and incidental or consequential damages, so the above limitation or exclusion may not apply to you.

## NOTES:

## **LIFE FITNESS CONSUMER DIVISION**

14150 Sunfish Lake Blvd. Ramsey Minnesota, 55303 U.S.A.

Tel: 763.323.4500 Fax: 763.323.4797

800.328.9714 (Toll-free within the U.S. and Canada)

[www.parabody.com](http://www.parabody.com)

## **INTERNATIONAL OFFICES**

Life Fitness Atlantic BV  
Atlantic Headquarters  
Bijdorpplein 25-31  
2992 LB Barendrecht  
The Netherlands  
Phone: (180) 646 666  
Fax: (180) 646 703

Life Fitness (UK) Ltd.  
Queen Adelaide  
Ely, Cambs CB7 4UB  
United Kingdom  
Phone CSS: (01353) 665507  
Fax CSS: (01353) 666719

Life Fitness EUROPE GmbH  
Siemensstrasse 3  
85716 Unterschleissheim  
Germany  
Phone: (089) 31 77 51-0  
Fax: (089) 31 77 51 99

Life Fitness Benelux N.V.  
Bijdorpplein 25-31  
2992 LB Barendrecht  
The Netherlands  
Phone: 31 (180) 64 66 69  
Fax: 31 (180) 64 66 99

Life Fitness Italia S.R.L.  
Via Elvas 92  
39042 Bressanone  
Italy  
Phone: 39 (472) 835-470  
Fax: 39 (472) 833-150

Life Fitness Japan  
8/F, Nippon Brunswick Building  
5-27-7 Sendagaya  
Shibuya-Ku, Tokyo 151-0051  
Japan  
Phone: 81 (3) 3359-4309  
Fax: 81 (3) 3359-4307

Life Fitness Asia Pacific Limited  
Room 2610, Miramar Tower  
132 Nathan Road, Tsimshatsui  
Kowloon, Hong Kong  
Phone: (852) 2891-6677  
Fax: (852) 2575-6001

Life Fitness Do Brazil  
Al. Rio Negro, 433-Predio 2-Sala 2  
3º andar (Confab)  
Aplhavelle-Barueri-Sao Paulo  
CEP: 06454-904  
Brazil  
Phone: 55 (11)7295-2217  
Fax: 55 (11) 7295-2218