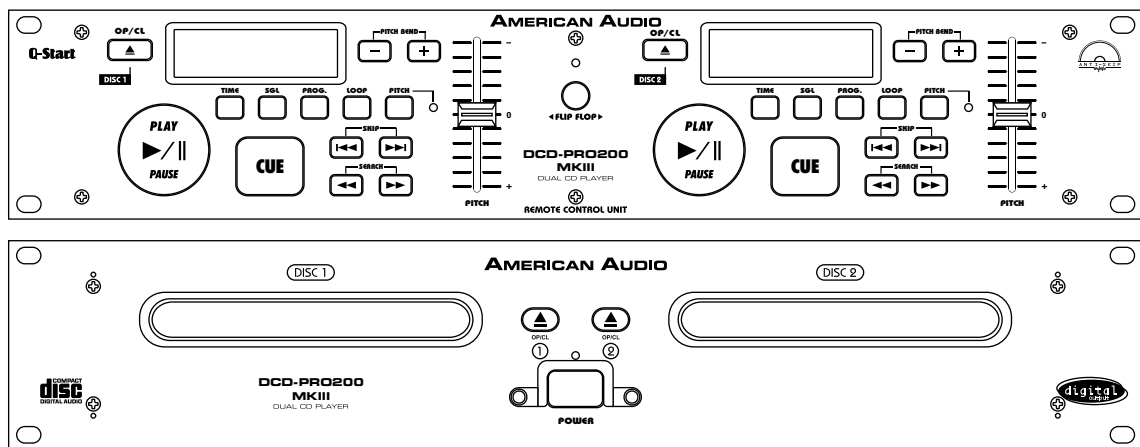


American **AUDIO**

DCD-PRO200
MK III
DUAL CD PLAYER



Q-Start

COMPACT
disc
DIGITAL AUDIO

digital
output

ANTI-SKIP

FLIPFLOP

PROformer plus

CONTENTS

SPECIFICATIONS.....	2
IMPORTANT SAFETY ITEMS.....	3
SAFETY INSTRUCTIONS.....	4
GENERAL NOTES ON USE.....	5
MAIN FEATURES.....	5-6
PREPARATIONS.....	8
BASIC OPERATIONS.....	9-13
BEFORE SWITCHING OFF THE POWER.....	13
COMPACT DISCS.....	13

SPECIFICATIONS

GENERAL

Type:	Twin mechanism compact disc player with wired controller.	
Disc Type:	Standard compact discs (5 in / 12 cm and 3 in / 8 cm discs)	
Dimensions:	Player Unit:	19" (W) x 3 27/64" (H) x 9 28/32" (D) 482mm (W) x 88.8mm (H) x 251mm (D)(without feet)
	Control Unit:	19" (W) x 3 27/64" (H) x 2 23/43" (D) 482mm (W) x 88.8mm (H) x 60mm (D) (without feet)
Installation:	19-inch rack mountable - Player & Control units: 2U / 2 rack spaces	
Weight:	Player Unit:	11 lbs. / 5 kg. - Control Unit: 4.5 lbs. / 2kg.
Power Supply:	220V AC, 60 Hz	
Power Consumption:	10~20W	
Environmental Conditions:	Operational temperature:	5 to 35°C (41 to 95°F)
	Operational humidity:	25 to 85% (no condensation)
	Storage temperature:	-20 to 60°C (4 to 14°F)
Accessories:	Connecting cord (1 set for each channel) - Control cord (1.8m/6 ft)	

AUDIO SECTION

Quantization:	16 bit linear per channel
Sampling rate:	44.1 kHz at normal pitch
Over sampling rate:	8 times
D/A conversion:	16 bit
Frequency response:	10 to .20000 Hz
Total harmonic distortion:	0.02%
Signal to noise ratio:	85dB
Channel separation:	80dB
Output level:	2.0V +/- 1dB
Load impedance:	47 kohm or more

FUNCTIONS

Variable pitch:	+/- 10% or more
Search accuracy:	1/75 sec. (1 subcode frame)

American DJ® AUDIO World Headquarters:

4295 Charter Street

Los Angeles, CA 90058 USA

Tel: 800-333-0644 - Fax: 323-582-2610

Web: www.americandj.com - E-mail: info@americandj.com

Specifications and design are subject to change without notice for purpose of improvement.

IMPORTANT SAFETY ITEMS FOR U.S.A. & CANADA MODEL ONLY

WARNING:

TO PREVENT FIRE OR SHOCK HAZARD, DO NOT EXPOSE THIS CD PLAYER TO WATER OR MOISTURE.

CAUTION:

1. Handle the power supply cord carefully. Do not damage or deform; it may cause electric shock or malfunction when used. Hold plug attachment when removing from wall outlet. Do not pull on the cord.
2. To avoid electric shock, do not open the top cover when the unit is plugged in. If problems occur with the unit, call American DJ Service Dept. at 1-800-322-6337.
3. Do not place metal objects or spill liquid inside the CD player. Electric shock or malfunction may occur.

Please record and retain the model name and serial number from your rating label.

Model No. _____
Serial No. _____



CAUTION

Do not open - risk of electric shock



CAUTION: TO REDUCE THE RISK OF ELECTRIC SHOCK, DO NOT REMOVE THE COVER RACK. THERE ARE NO USER SERVICEABLE PARTS INSIDE. REFER SERVICE TO YOUR AUTHORIZED AMERICAN DJ AUDIO DEALER.



The lightning flash with an arrow triangular symbol is intended to alert the user to the presence of uninsulated "dangerous voltage" within the products enclosure, and may be of sufficient magnitude to constitute a risk of electric shock.



The exclamation point triangular symbol is intended to alert the user to the presence of important operating and maintenance (servicing) instructions in the user manual accompanying the CD player.

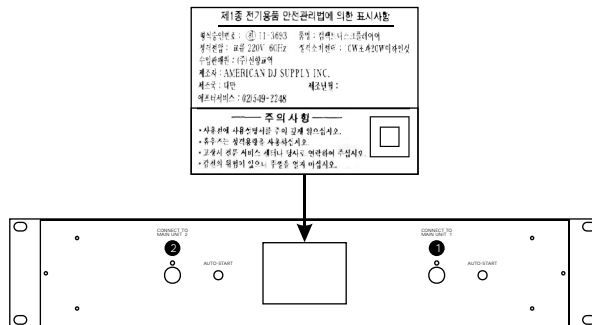
CAUTION

TO PREVENT ELECTRIC SHOCK DO NOT USE THIS (POLARIZED) PLUG WITH AN EXTENSION CORD, RECEPTACLE OR OTHER OUTLET UNLESS THE BLADES CAN BE CAREFULLY INSERTED TO PREVENT BLADE EXPOSURE.

NOTE:

This CD player uses a semiconductor laser. It is recommended for use in a room at the following temperature: 41°F - 95°F / 5°C - 35°C

LABELS (for U.S.A. model only)



CAUTION:

USE OF CONTROLS OR ADJUSTMENTS OTHER THAN THOSE SPECIFIED HEREIN MAY RESULT IN HAZARDOUS RADIATION EXPOSURE.

THE COMPACT DISC PLAYER SHOULD NOT BE ADJUSTED OR REPAIRED BY ANYONE.

NOTE:

This unit may cause interference to radio and television reception.

SAFETY INSTRUCTIONS

1. Read Instructions - All the safety and operating instructions should be read before the appliance is operated.
2. Save Instructions - The safety and operating instructions should be saved for future reference.
3. Heed Warnings - All warnings on the appliance and in the operating instructions should be adhered to.
4. Follow Instructions - All operating and user instructions should be followed.
5. Water and Moisture - The appliance should not be used near water - for example, near a bath tub, washbowl, kitchen sink, laundry tub, in a wet basement or near a swimming pool, etc.
6. Ventilation - The appliance should be situated so that its location or position does not interfere with its proper ventilation. For example, the appliance should not be situated on a bed, sofa, rug, or similar surface that may block the ventilation openings; or, placed in a built-in installation, such as a bookcase or cabinet that may impede the flow of air through the ventilation openings.
7. Heat - The appliance should be situated away from heat sources such as radiators, heat registers, stoves, or other appliances (including amplifiers) that produce heat.
8. Power Sources - The appliance should be connected to a power supply only of the type described in the operating instructions or as marked on the appliance.
9. Grounding or Polarization - Precautions should be taken so that the grounding or polarization means of an appliance is not defeated.
10. Power-Cord Protection - Power-supply cords should be routed so that they are not likely to be walked on or pinched by items placed upon or against them, paying particular attention to cords at plugs, convenience receptacles, and the point where they exit from the appliance.
11. Cleaning - The appliance should be cleaned only as recommended by the manufacturer.
12. Non-use Periods - The power cord of the appliance should be unplugged from the outlet when left unused for a long period of time.
13. Object and Liquid Entry - Care should be taken so that objects do not fall and liquids are not spilled into the enclosure through openings.
14. Damage Requiring Service - The appliance should be serviced by qualified service personnel when:
 - A. The power-supply cord or the plug has been damaged.
 - B. Objects have fallen, or liquid has been spilled into the appliance.
 - C. The appliance has been exposed to rain or water.
 - D. The appliance does not appear to operate normally or exhibits a marked change in performance.
 - E. The appliance has been dropped, or the enclosure damaged.
15. Servicing - The user should not attempt to service the appliance beyond that described in the operating instructions. All other servicing should be referred to American DJ Service Dept. at 1-800-322-6337.

GENERAL NOTES ON USE

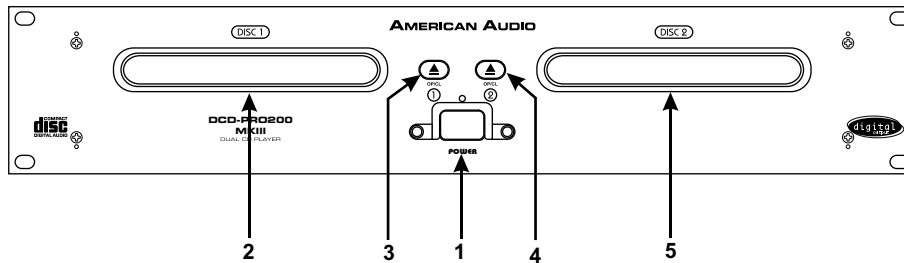
- Avoid high temperatures.
- Allow for sufficient heat dispersion when installed on a rack.
- Handle the power cord carefully.
- Hold the plug when unplugging the cord.
- Keep the set free from moisture, water, and dust.
- Unplug the power cord when not using the set for long periods of time.
- Do not obstruct the ventilation holes. (For sets with ventilation holes.)
- Do not let foreign objects in the set.
- Do not let insecticides, benzene, and thinner come in contact with the set.
- Never disassemble or modify the set in any way.

MAIN FEATURES

- Digital Output - For transfer of digital data
- Fader Q Start control - For use with all compatible American DJ Q-Start mixers
- Flip Flop - After Player A's track or entire CD is done, CD Player B will instantly cue and play its track or entire CD
- Loop Playback Mode
- Anti-Skip - built in anti skip mechanism
- Pitch display
- Auto cue
- Frame search
- 3 different speed scan
- 20 tracks program play
- 3 in./8 cm CD singles compatible
- 8 times over sampling 1 bit D/A converter
- Plays CD Recordables
- Dual Voltage Settings

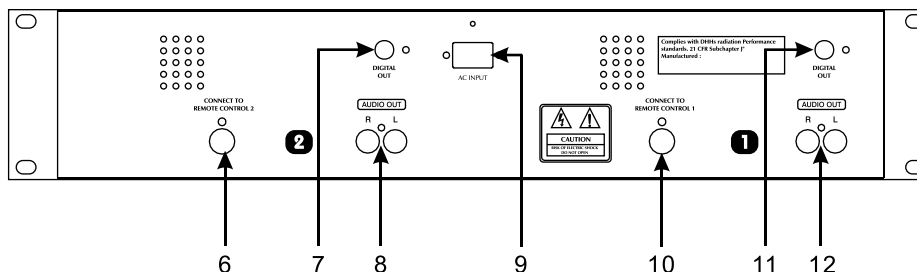
FUNCTIONS & CONTROLS

DRIVE TRANSPORT UNIT FRONT PANEL *FIGURE 1*



- | | |
|--------------------------------|-------------------------------|
| 1. POWER (Power ON/OFF Button) | 4. Player 2 Open/Close Button |
| 2. Player 1 Transport Tray. | 5. Player 2 Transport Tray |
| 3. Player 1 Open/Close Button | |

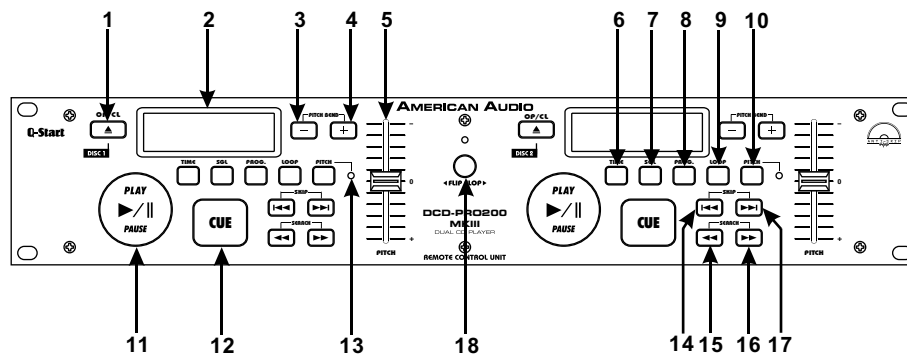
DRIVE TRANSPORT UNIT REAR PANEL *FIGURE 2*



- | | |
|--|---|
| 6. Player 2 Remote Connector | 9. Power Connection |
| 7. Player 2 Digital Output - (S/PDIF - 75/Ohm) | 10. Player 1 Remote Connector |
| 8. Player 2 RCA Output | 11. Player 1 Digital Output - (S/PDIF - 75/Ohm) |
| | 12. Player 1 RCA Output |

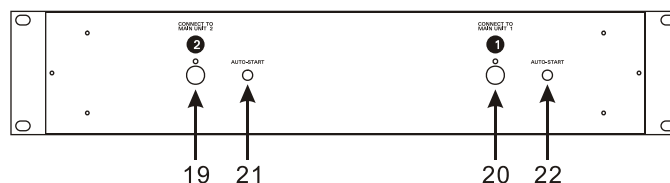
FUNCTIONS & CONTROLS CONT.

REMOTE UNIT FRONT PANEL **FIGURE 3**



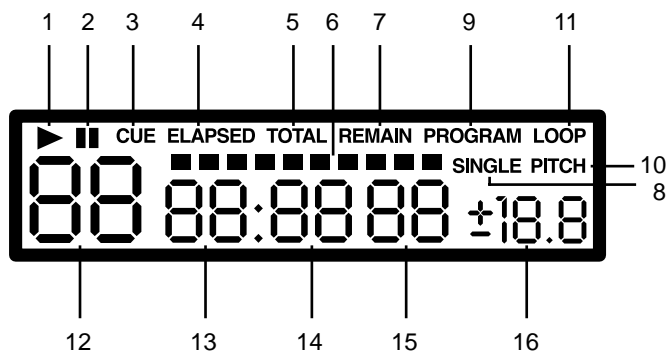
- | | |
|--|------------------------------------|
| 1. TRAY OPEN/CLOSE (OPEN/CLOSE BUTTON) | 10. PITCH (PITCH BUTTON) |
| 2. LCD (LIQUID CRYSTAL DISPLAY) | 11. PLAY/PAUSE (PLAY/PAUSE BUTTON) |
| 3. (-) PITCH BEND | 12. CUE (CUE BUTTON) |
| 4. (+) PITCH BEND | 13. PITCH LED INDICATOR |
| 5. PITCH SLIDER | 14. BACK SKIP |
| 6. TIME (TIME BUTTON) | 15. SEARCH/SCAN |
| 7. SGL/CTN (SINGLE/CONTINUOUS BUTTON) | 16. FORWARD SEARCH/SCAN |
| 8. PROGRAM (PROGRAM BUTTON) | 17. FORWARD SKIP |
| 9. LOOP (LOOP BUTTON) | 18. FLIP FLOP (see page 9) |

REMOTE UNIT REAR PANEL **FIGURE 4**



- | | |
|--------------------------------|---|
| 19. PLAYER 2 REMOTE CONNECTION | 21. PLAYER 2 MINI CONNECTOR FOR Q-START / FLIP FLOP |
| 20. PLAYER 1 REMOTE CONNECTION | 22. PLAYER 1 MINI CONNECTOR FOR Q-START / FLIP FLOP |

LCD DISPLAY **FIGURE 5**



- | |
|--------------------------------------|
| 1. ▶ (Play Indicator) |
| 2. (Pause Indicator) |
| 3. CUE (Cue Indicator) |
| 4. ELAPSED (Elapsed time Indicator) |
| 5. TOTAL (Total time Indicator) |
| 6. BAR (Bar Indicator) |
| 7. REMAIN (Remaining time Indicator) |
| 8. SINGLE (Single Indicator) |
| 9. PROGRAM (Program Indicator) |
| 10. PITCH (Pitch Indicator) |
| 11. LOOP (Loop Indicator) |
| 12. TRACK (Current track indicator) |
| 13. MINUTES INDICATORS |
| 14. SECONDS INDICATOR |
| 15. FRAME INDICATORS |
| 16. PITCH PERCENTAGE |

FUNCTIONS & CONTROLS CONT.

A. DRIVE TRANSPORT (Figures 1 & 2)

- 1) **POWER** (Power On/Off Button) - When the POWER Button is pressed, the power turns on, press again to turn power off.
- 2) **PLAYER 1 TRANSPORT TRAY**- Place the compact discs in this tray.
- 3) **PLAYER 1 OPEN/CLOSE BUTTON** - Press it to open and close the player one's transport tray. The disc tray cannot be opened during playback, so stop playback before pressing these buttons.
- 4) **PLAYER 2 OPEN/CLOSE BUTTON** - Press it to open and close the player one's transport tray. The disc tray cannot be opened during playback, so stop playback before pressing these buttons.
- 5) **PLAYER 2 TRANSPORT TRAY**- Place the compact discs in this tray.
- 6) **PLAYER 2 REMOTE CONTROL CONNECTOR** - Connect this connector to the remote unit using the included control cord.
- 7) **PLAYER 2 DIGITAL OUTPUT (RCA TYPE - SPDIF)** Connect to a DAT or CDR to make almost perfect copies of your CDs.
- 8) **PLAYER 2 RCA LINE OUT** - Player 2 audio signal output.
- 9) **POWER CONNECTION** - Plug in to a standard wall outlet, to feed power to your unit.
- 10) **PLAYER 1 REMOTE CONTROL CONNECTOR** - Connect this connector to the remote unit using the included control cord.
- 11) **PLAYER 1 DIGITAL OUTPUT (RCA TYPE - SPDIF)** Connect to a DAT or CDR to make almost perfect copies of your CDs.
- 12) **PLAYER 1 RCA LINE OUT** - Player 1 audio signal output.

B. Control Unit (Figures 3 & 4)

- 1) **OPEN/CLOSE BUTTON** - Press it to open and close the disc trays. The control unit also includes OPEN/CLOSE buttons. The disc holders cannot be opened during playback, so stop playback before pressing these buttons.
- 2) **LCD DISPLAY** - This high quality LCD display indicates all the functions, as they are occurring. This display is viewable at several comfortable angles. The display ICONS will be explained in the next section.
- 3) **(-) PITCH BEND** - The (-) pitch bend function allows a momentary "Slow Down" in the CD's BPM's (Beats per minute) while it is playing. This will allow you to match the beats between two playing CD's or other playing music source.

Remember, that this is a momentary function when you remove your finger from the pitch bend button the BPM's will automatically return to **SLIDERS (5)** selected pitch.

- 4) **(+) PITCH BEND Button** - The (+) pitch bend function allows a momentary "BUMP" in the CD's BPM's (Beats per minute) while it is playing. This will allow you to match the beats between two playing CD's or any other playing music source. Remember, that this is a momentary function when you remove your finger from the pitch bend button the BPM's will automatically return to **SLIDERS (5)** selected pitch. Use this function to catch up to your other playing music source.
- 5) **PITCH SLIDER** - Use the slider to adjust the BPM. Slide up to decrease the BPM, down to increase the BPM.
- 6) **TIME BUTTON** - Press this button to switch the time display between the elapsed time and remaining time, and total remain time. The selected mode is indicated by the ELAPSED, REMAIN and TOTAL REMAIN indicator on the LCD.
- 7) **SGL/CTN (Single/Continuous Button)** - Press it to switch between the single and continuous play modes. The SINGLE mode is indicated by the SINGLE indicator on the LCD.
- 8) **PROGRAM BUTTON** - Press the PROGRAM button, the player will enter the program mode and stop the CD playback.
- 9) **LOOP BUTTON** - Press the LOOP button to set the loop start point, press the LOOP button again to set the loop end point.
- 10) **PITCH BUTTON** - Use these buttons to enable or disable BPM adjustment with the pitch sliders. BPM adjustment with the pitch sliders is enabled when the PITCH LED lights.
- 11) **PLAY/PAUSE BUTTON** - Use this button to start playback. Press once to start playback, once again to set the pause mode, and once more to resume playback.
- 12) **CUE BUTTON** - Press the CUE button during playback to return to the position at which playback started.
- 13) **PITCH LED INDICATOR** - This red LED will glow when the pitch function has been activated.
- 14) **BACK SKIP BUTTON** - Use this button to go back to the beginning of the current track or select a previous track for playing.
- 15) **REVERSE SEARCH/SCAN BUTTON** - Press this button to perform a reverse frame search during pause mode or to perform a reverse scan function during play.
- 16) **FORWARD SEARCH/SCAN BUTTON** - Press this button to perform a forward frame search during when in pause or to perform a forward scan during play.

FUNCTIONS & CONTROLS CONT.

- 17) **FORWARD SKIP BUTTON** - Use this button to skip to the next track on the CD.
 - 18) **FLIP FLOP** - Use a std. mini plug (stereo) to plug in Side 1 to Side 2. Set both sides of the CD player to single mode on the control. When Disc 1 ends the CD player will automatically change to Disc 2 and when Disc 2 ends it will return to Disc 1, etc.
 - 19) **PLAYER 2 REMOTE CONNECTOR** - Connect to player 2 connector on transport assembly.
 - 20) **PLAYER 1 REMOTE CONNECTOR** - Connect to player 1 connector on transport assembly.
 - 21) **PLAYER 2 MINI CONNECTOR FOR Q START** - Connect to Q Start mixer B connector on enabled American DJ mixers.
 - 22) **PLAYER 1 MINI CONNECTOR FOR Q START** - Connect to Q Start mixer A connector on enabled American DJ mixers.
- C. LCD (figure 5)**
- 1) **PLAY INDICATOR (▶)** - The PLAY indicator lights during playback.
 - 2) **PAUSE INDICATOR (⏸)** - The PAUSE indicators light during pause or cue mode.
 - 3) **CUE INDICATOR** - The CUE indicator lights during CUE mode or PAUSE mode, flashes when CUE point is changed.
 - 4) **ELAPSED INDICATOR** - It indicates that the time shown on the display is the elapsed time.
 - 5) **TOTAL INDICATOR** - It indicates that the time shown on the display is the elapsed time.
 - 6) **BAR INDICATOR** - These ten indicators provide a visual display of the approximate position of the pickup within the current track.
 - 7) **REMAIN INDICATOR** - It indicates that the time shown on the display is the remaining time of the playing track.
 - 8) **SINGLE INDICATOR** - When the indicator light, playback will stop at the beginning of the track.
 - 9) **PROGRAM INDICATOR** - The PROGRAM indicator lights when program mode is set.
 - 10) **PITCH INDICATOR** - When the indicator lights, the pitch adjustment is enabled.
 - 11) **LOOP INDICATOR** - When in loop mode this indicator will glow.
 - 12) **TRACK INDICATOR** - Indicates the current track that is playing, cued, or in pause mode.
 - 13) **MINUTES INDICATOR** - Display current minutes.
 - 14) **SECONDS INDICATOR** - Displays current seconds.
 - 15) **FRAME INDICATOR** - Displays current frames.
 - 16) **PITCH PERCENTAGE** - This displays the amount of pitch being applied to the track. This is adjusted by the PITCH SLIDER.

PREPARATIONS

1. Check that the carton contains the following items:

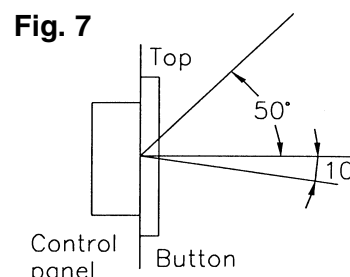
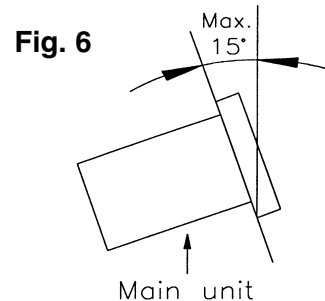
- 1) Main unit
- 2) Control unit
- 3) Operating instructions (this booklet)
- 4) Two sets of RCA cables.
- 5) Two Control cords (6 feet / 1.8 meters)
- 6) Two Mini Connectors for "Q" Start.

2. Installing the Units

Mount the units onto your console or rack with 19" EIA rack rails.

CAUTION:

- The player will work normally when the main unit is mounted with the front panel within 15 degrees of the vertical plane. If the unit is tilted excessively, discs may not be loaded or unloaded properly. **(Figure 6)**
- The control panel's LCDs are designed to be clearly visible within the angles shown in **Figure 7**. Mount the control unit so that the visual angle is within this range.



PREPARATIONS

3. Connections

- 1) Turn off the POWER switch.
- 2) Connect the RCA pin cables to the inputs on your mixer.
- 3) Connect the control cables to the REMOTE connector on the main unit.

CAUTION:

Be sure to use the supplied control cables. Using another type of cable may result in damage.

Be sure the power is off when connecting the control cables. Otherwise the units may not work properly.

BASIC OPERATIONS

1. Opening and Closing the Disc Holder

- Turn the unit power on. Press the OPEN/CLOSE button to open or close the disc tray. OPEN/CLOSE buttons are provided on both the main unit and control unit.
- The disc tray cannot be opened during playback. This feature is to prevent playback from being interrupted if the OPEN/CLOSE button is pressed accidentally. Stop playback first, then press the OPEN/CLOSE button.

2. Loading discs

- Hold the disc by the edges and place it in the disc tray, then press the OPEN/CLOSE button again to close the disc tray. The unit will show the track number and the total playing time for about 2 seconds then enter the cue condition, the cue point will be set to the music starting point of the first track automatically.

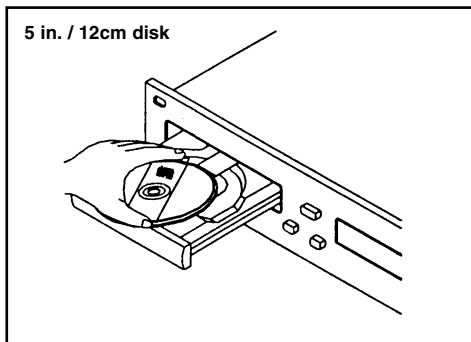


Fig. 8

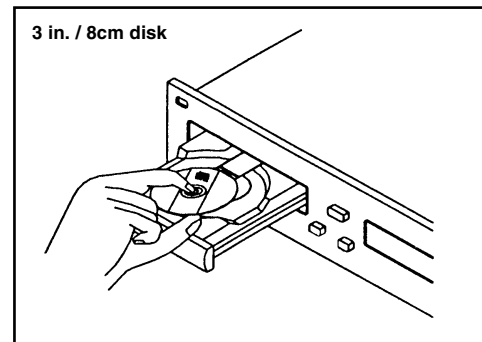


Fig. 9

CAUTION:

- Do not place any foreign objects in the disc tray, and do not place more than one disc in the disc tray at a time. Doing so may result in malfunction.
- **Do not push the disc tray in manually**, as this may result in malfunction and damage the player.

3. Selecting Tracks

- Press the SKIP Buttons once to move to one higher or lower track.
- Hold the SKIP buttons in to change tracks continuously at a higher speed.
- When a new track is selected during playback, playback begins as soon as the search operation is completed.
- If the FORWARD SKIP button is pressed while on the last track, the first track is selected. In the same fashion, if the BACKWARD SKIP button is pressed while at the first track, the last track is selected.

BASIC OPERATION (CONT.)

4. Starting Playback

- Press the PLAY/PAUSE button during the pause or cue to start playback.
- The PLAY indicator lights when playback starts.
- The point at which playback starts is automatically stored in the memory as the cue point. The pickup then returns to the cue point (the point at which playback started) when the CUE button is pressed. (Back Cue) (Figure 10)

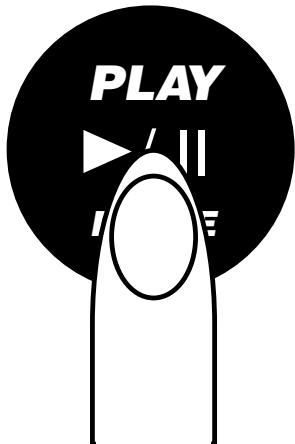


Fig. 10



Fig. 11

5. Stopping Playback

- There are two ways to stop playback.
 - 1) Press the PLAY/PAUSE button during playback to pause at that point. (figure 10)
 - 2) Press the CUE button during playback to return to the position at which playback started.(Back Cue) (Figure 11)

6. Pausing

- Press the PLAY/PAUSE button to switch between play and pause.
- The PAUSE indicator lights when the pause mode is set.
- Figure 12 shows the relationship between the play and pause.

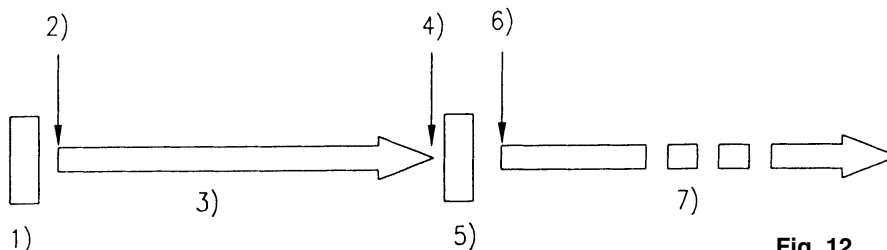


Fig. 12

- 1) The player has completed the cue or pause operation and is waiting for the play start command.
- 2) When the PLAY/PAUSE button is pressed, playback starts and the cue point is stored in the memory.
- 3) Playing
- 4) The pause mode is set when the PLAY/PAUSE button is pressed again.
- 5) Pausing
- 6) Playback resumes when the PLAY/PAUSE button is pressed again. The new cue point is stored in the memory.
- 7) Playing

BASIC OPERATION (CONT.)

7. Cue

- "Cueing" is your preferred starting point of playback.
- Press CUE button, the player will enter cue mode. The playback returns to the cue point and enter pause condition, the cue and pause indicator light up. When PLAY/PAUSE button is pressed, play starts from the cue point.
- When the track search operation is completed after pressing the SKIP buttons, the player automatically finds the position at which the sound starts and cues there (Auto Cue).
- If the CUE button is pressed after the search operation or the scanning operation, the playback returns to the cue point and enters pause condition.
- Figure 13 shows the relationship between the play and back cue operations.

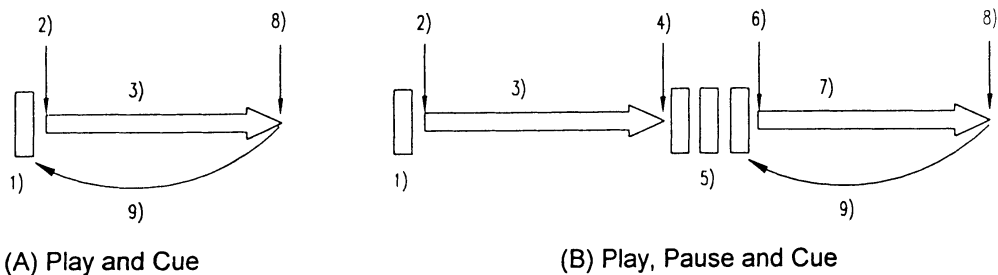


Figure13

- 1) The player has completed the cue or pause operation and is waiting for the play start command.
- 2) When the PLAY/PAUSE button is pressed, playback starts and the cue point is stored in the memory.
- 3) Playing
- 4) The pause mode is set when the PLAY/PAUSE button is pressed again.
- 5) Pausing
- 6) When the PLAY/PAUSE button is pressed again, playback resumes and the new cue point is stored in the memory.
- 7) Playing
- 8) Press the CUE button.
- 9) The pickup returns to the cue point. (Back Cue)

NOTE: During cue mode, if the CUE button is pressed and held, playback will start from the cue point. When the button is released, the player will return to the cue mode automatically. This feature allows you to check your cue point.

8. Frame Search

- Frame search is a function for monitoring the sound at a certain section of the disc and manually changing the position. Searching is used to set play start points with precision.
- Press the FORWARD SEARCH or BACKWARD SEARCH while in pause or cue mode to begin searching. The sound for one revolution of the disc is output repeatedly. The point at which the sound starts is indicated on the LCD.
- If the time display and the CUE point are the same, the CUE indicator lights.

BASIC OPERATION (CONT.)

9. Scanning (Fast forward/Fast backward)

- Scanning is a function for moving quickly forward or backward while the SCAN/SEARCH buttons are pressed to let you find a desired play point quickly.
- This unit supports 3 different speeds, the scanning speed depends on how long you hold the button. If you hold the SCAN/SEARCH button for about 3 seconds, the scanning speed will change. When you release the button the scanning speed returns to normal speed.
- Press and hold the SCAN/SEARCH button to begin scanning. The disc moves rapidly forward or backward. The current scan point is indicated on the LCD.
- Press and hold the ►► to scan forward, and ◀◀ to scan in reverse.

10. Time Display (see fig.14)

Press TIME button to select time display mode:

A = Elapsed playing time.

B = Remaining time in a selection.

C = Total remaining time of the disc.

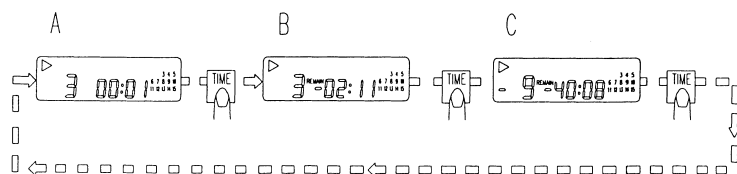


Fig. 14

11. Matching the Beats Per Minute (BPM)

With the unit, there are two ways to adjust the playing speed and match the BPMs of the two CDs:

- Use the pitch slider to adjust the BPM statically.
- Use the PITCH BEND buttons to change the BPM temporarily.

1) Pitch Slider

- To adjust the BPM by sliding the pitch slider up or down, press the PITCH button to turn on the PITCH adjustment function before use.
- The BPM decreases when the pitch slider is moved upward and increases when the pitch slider is moved downward. The adjustment range is +/- 10%.

2) Pitch Bending

- The BPM increases or decreases respectively while the PITCH BEND+ or PITCH BEND- button is pressed.
- The BPM increase depends on how long you hold the button. If you hold the button for about 1/2 second, the BPM will go either to +16% for PITCH BEND+ or -16% for PITCH BEND-. If you tap the button, the BPM will only change a little so you can change the beat slightly without audible changes in the music.
- The CD will return to the tempo indicated by the Pitch slider when you let go of the PITCH BEND + or -.

- Figure 15 shows an example of how to use the pitch bend function. In this example, both players are playing and the BPM has already been matched with the pitch sliders.

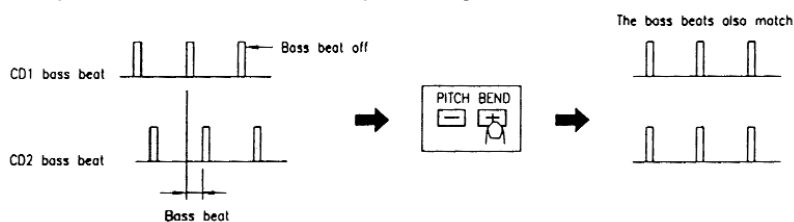


Fig. 15

12. Program play

- Press the PROGRAM button, the player will enter the program mode and the CD will stop rotating.
- Select the desired track by pressing the SKIP button, then press the PROGRAM button again. The selected track will be added to the program sequence.
- Repeat step 2 operation. A maximum of 20 tracks can be programmed at one time.
- Press the PLAY/PAUSE button to start the program play from the first selection.
- Press the program button again during program play to stop play.
- Press and hold the program button more than 2 seconds to cancel the program mode and erase all the current program contents.

BASIC OPERATION (CONT.)

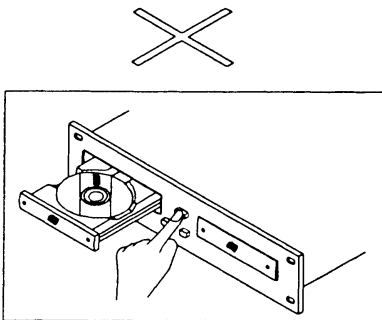
13. Loop Play

- Press the LOOP button to set the loop start point A, the LOOP indicator will flash on the LCD.
- Press the LOOP button again to set the loop end point B. After the B point is set the playback will enter the loop play from A to B repeatedly.
- Press the LOOP button again, the loop play function is canceled, the LOOP indicator goes out.

BEFORE SWITCHING OFF THE POWER

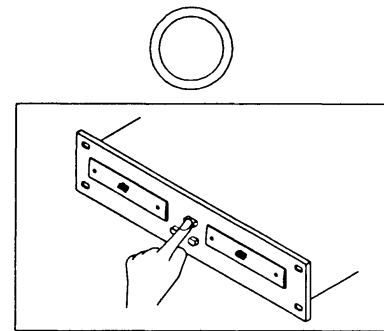
When you have finished using the CD player, before switching off the power be sure that the disc holder has been closed with the OPEN/CLOSE button (Figure 15).

CAUTION: Do not forcibly close the disc tray when the power is off.



Do not switch off the power when the disc holder is open.

Fig. 15



Switch off the power after the disc holder has been closed with the OPEN/CLOSE button.

COMPACT DISCS

1. Precautions on handling compact discs

- Do not allow fingerprints, oil or dust to get on the surface of the disc. If the disc is dirty, wipe it off with a soft dry cloth.
- Do not use benzene, thinner, water, record spray, electrostatic-proof chemicals, or silicone-treated cloths to clean discs.
- Always handle discs carefully to prevent damaging the surface; in particular when removing a disc from its case or returning it.
- Do not bend the disc.
- Do not apply heat.
- Do not enlarge the hole in the center of the disc.
- Do not write on the label (printed side) with a hard-tipped implement such as a pencil or ball point pen.

- Condensation will form if a disc is brought into a warm area from a colder one, such as outdoors in winter. Do not attempt to dry the disc with a hair dryer, etc.
- ### 2. Precaution on storage
- After playing a disc, always unload it from player.
 - Always store the compact disc in the jewel case, protecting from dirt or damage.
 - Do not place discs in the following areas:
 - a) Areas exposed to direct sunlight for a considerable time.
 - b) Areas subject to accumulation of dust or high humidity.
 - c) Areas affected by heat from indoor heaters, etc.

American **AUDIO**

©American AUDIO Headquarters:
4295 Charter Street
Los Angeles, CA 90058 USA
Tel: 800-333-0644 Fax: 323-582-2610
Web: www.americanaudio.us E-mail: info@americandj.com