



# Definition Install DC6i

# TANNOY®



## Product Description

The Definition Install DC6i has been designed around the unique Tannoy Dual Concentric™ drive unit to bring class leading performance to a wide range of installation applications; from media rooms to home theatre and boardrooms through to high end marine interiors these loudspeakers deliver class leading accuracy, sensitivity and dynamics.

Characteristic of the Dual Concentric™ design is a very wide 'sweet spot' with an exceptionally even response throughout the listening area, as well as an extraordinary transient response; reasons enough for this phase accurate Tannoy designed drive unit to have been the choice of professional studio engineers all over the world for many years.

The Dual Concentric™ is effectively two drivers properly merged into one where, unlike ordinary drive units, the high frequency unit is positioned on the back of the low frequency driver. As a result they are on same axis, so ensuring that sound energy is effectively propagated from the same point and delivered through the centre of the low frequency cone as true point source. Such integration optimises reproduction quality by providing a constant time delay over the frequency spectrum, exceptional transient performance, wide dispersion and superior harmonic alignment; all of which delivers to the listening position a natural, clean and integrated sound with greatly enhanced intelligibility, sound staging and dynamics.

This compact MDF cabinet is vented and rigidly constructed with extensive bracing to be acoustically inert. The speaker is designed to be hidden within a custom designed installation; mounted on wall either behind the screen or acoustically transparent decorative panels with no appreciable loss of performance. The unit can be mounted either horizontally or vertically using the integral keyhole mounts and the supplied wall plate.

Designed to be used in left, centre or right locations the DC6i is capable of explosive dynamics with stunning detail in both music and movie application in vast array of listening and viewing environments.

## Features

- 150mm (6.00") high sensitivity, point source and constant directivity Dual Concentric™ drive unit
- Constant time delay over the frequency spectrum
- Exceptional transient performance
- 90 degree conical dispersion
- Superior harmonic alignment
- Natural, clean and integrated sound
- Enhanced intelligibility, sound staging and dynamics
- Recommended amplifier power 100 to 200W @ 8 Ohms
- Sensitivity 90dB (1W = 2.83V for 8 Ohms)
- Maximum SPL 110dB average
- Rugged construction MDF enclosure, vented, internally braced and finished with textured black paint
- Multiple hanging options

## Applications

- Media rooms
- Home theatre
- Boardrooms
- High end marine interiors

Tannoy United Kingdom  
Tannoy North America  
Tannoy Deutschland  
Tannoy France

T: 00 44 (0) 1236 420199  
T: 00 1 (519) 745 1158  
T: 00 49 (180) 1111 881  
T: 00 33 (0)1 7036 7473

E: enquiries@tannoy.com  
E: inquiries@tannoyna.com  
E: anfragen@tannoy.com  
E: ventes@tannoy.com

tannoy.com



# Definition Install DC6i

# TANNOY®

## TECHNICAL SPECIFICATIONS

### System Definition Install DC6i

<b>Frequency Range</b> <sup>(1)</sup>	70Hz - 45kHz
<b>System Sensitivity (1W @1m)</b> <sup>(2)</sup>	90dB (1W = 2.83V for 8 Ohms)
<b>Dispersion (-6dB)</b>	90 degrees conical
<b>Driver Complement</b>	1 x 150mm (6.00") point source constant directivity Dual Concentric™
<b>Crossover</b>	Passive 1.6kHz with dynamic HF protection
<b>Directivity Factor (Q)</b>	4.5 averaged 1kHz to 10kHz
<b>Directivity Index (DI)</b>	6.4 averaged 1kHz to 10kHz
<b>Rated Maximum SPL</b> <sup>(2)</sup>	
Average	110dB
Peak	116dB
<b>Power Handling</b>	
Average	100W
Programme	200W
Peak	400W
<b>Recommended Amplifier Power</b>	100 to 200W @ 8 Ohms
<b>Nominal Impedance</b>	8 Ohms

### Distortion

<b>10% Full Power (8.94V)</b>	2nd Harmonic	3rd Harmonic
250Hz	2.4%	0.46%
1kHz	0.20%	0.53%
10kHz	1.19%	0.19%
<b>1% Full Power (2.83V)</b>	2nd Harmonic	3rd Harmonic
250Hz	0.48%	0.37%
1kHz	0.01%	0.24%
10kHz	0.46%	0.07%

### Notes:

(1) Average over stated bandwidth. Measured at 1 metre on axis.

(2) Unweighted pink noise input, measured at 1 metre in an anechoic chamber

A full range of measurements, performance data, CLF and Ease™ Data can be downloaded from [www.tannoy.com](http://www.tannoy.com)

Full independent verification of published specifications carried out by NWAA Labs, California can also be obtained from the downloads section of [www.tannoy.com](http://www.tannoy.com)

Tannoy operates a policy of continuous research and development. The introduction of new materials or manufacturing methods will always equal or exceed the published specifications, which Tannoy reserves the right to alter without prior notice. Please verify the latest specifications when dealing with critical applications.

### Construction

<b>Enclosure</b>	MDF, vented and internally braced
<b>Finish</b>	Textured black paint
<b>Connectors</b>	2 x 4mm gold plated binding posts
<b>Fittings</b>	8 x M10 bracket inserts, 4 wall plate keyhole fixings, allowing landscape or portrait mounting orientations 1 x wall plate
<b>Dimensions</b>	334 x 250 x 214mm (H x W x D) 13.15 x 9.84 x 8.45" (H x W x D)
<b>NET Weight</b>	7kg (15.4lbs)

### Ordering Information

PART NUMBER	MODEL NAME	COLOUR	PACKED WEIGHT
8000 5170	Definition Install DC6i	Black	2

Tannoy United Kingdom  
Tannoy North America  
Tannoy Deutschland  
Tannoy France

T: 00 44 (0) 1236 420199  
T: 00 1 (519) 745 1158  
T: 00 49 (180) 1111 881  
T: 00 33 (0)1 7036 7473

E: [enquiries@tannoy.com](mailto:enquiries@tannoy.com)  
E: [inquiries@tannoyna.com](mailto:inquiries@tannoyna.com)  
E: [anfragen@tannoy.com](mailto:anfragen@tannoy.com)  
E: [ventes@tannoy.com](mailto:ventes@tannoy.com)

[tannoy.com](http://tannoy.com)

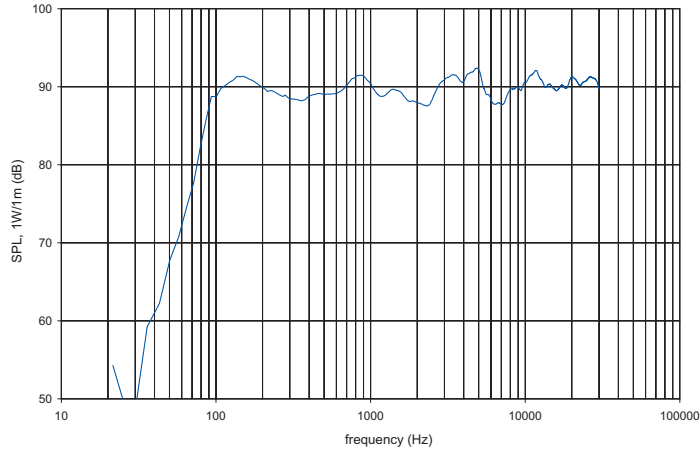


# Definition Install DC6i

TANNOY®

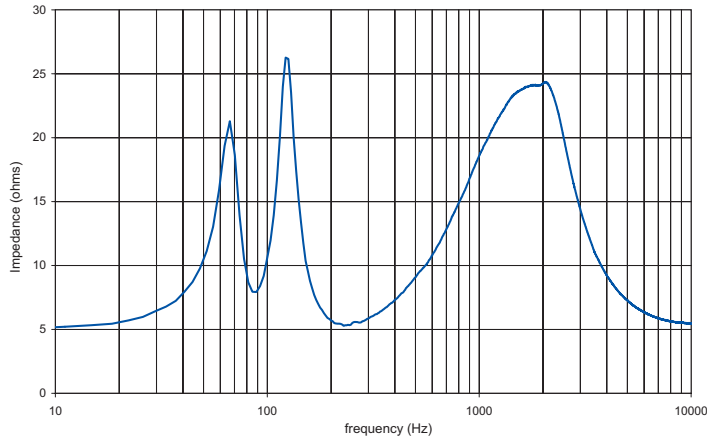
## PERFORMANCE MEASUREMENTS

1m on-axis frequency response



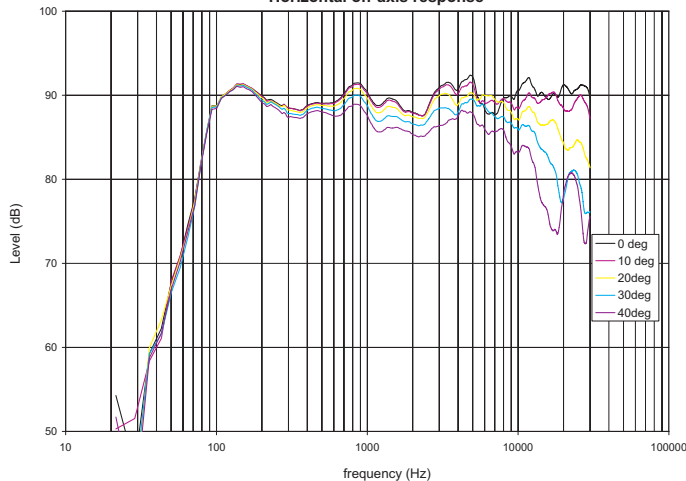
**ANECHOIC  
FREQUENCY  
RESPONSE**

Impedance vs frequency



**IMPEDANCE**

Horizontal off-axis response



**OFF AXIS  
RESPONSE**

Tannoy United Kingdom  
Tannoy North America  
Tannoy Deutschland  
Tannoy France

T: 00 44 (0) 1236 420199  
T: 00 1 (519) 745 1158  
T: 00 49 (180) 1111 881  
T: 00 33 (0)1 7036 7473

E: enquiries@tannoy.com  
E: inquiries@tannoyna.com  
E: anfragen@tannoy.com  
E: ventes@tannoy.com

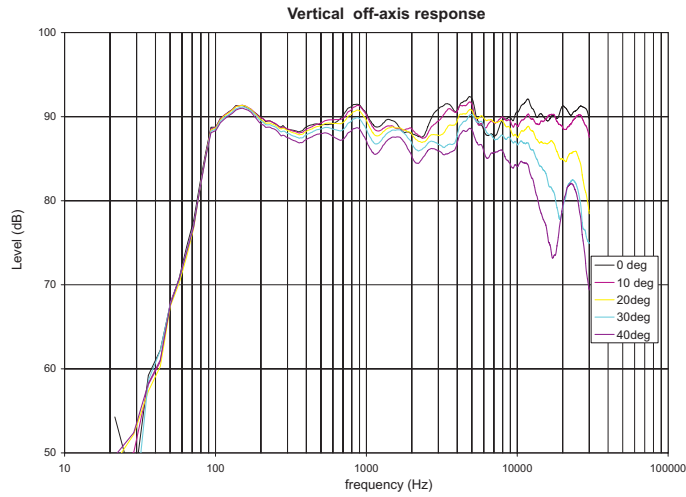
tannoy.com



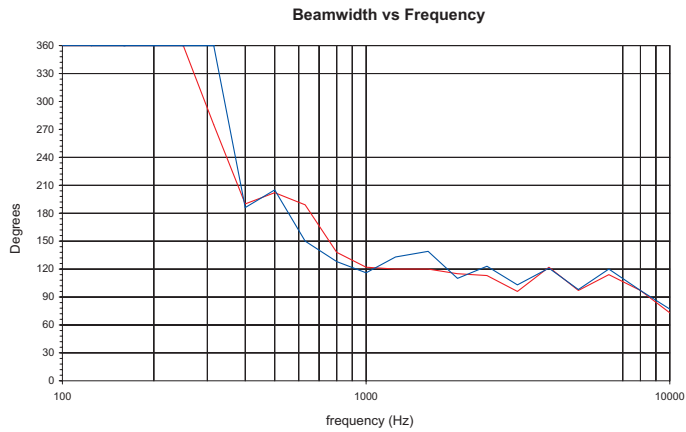
# Definition Install DC6i

TANNOY®

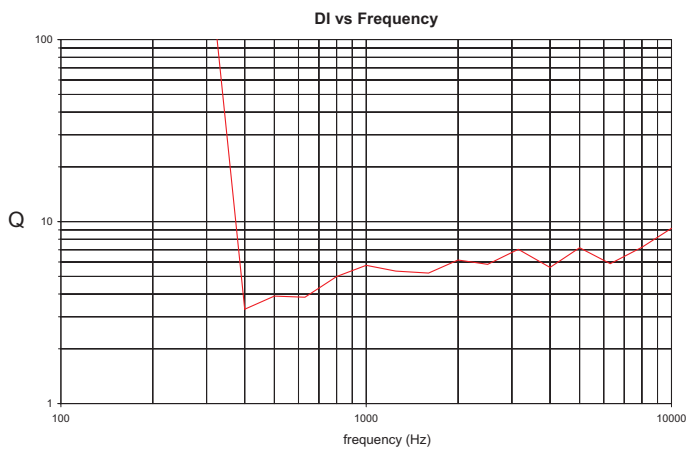
## PERFORMANCE MEASUREMENTS



**OFF AXIS RESPONSE**



**BEAMWIDTH**



**DIRECTIVITY INDEX**

Tannoy United Kingdom  
 Tannoy North America  
 Tannoy Deutschland  
 Tannoy France

T: 00 44 (0) 1236 420199  
 T: 00 1 (519) 745 1158  
 T: 00 49 (180) 1111 881  
 T: 00 33 (0)1 7036 7473

E: enquiries@tannoy.com  
 E: inquiries@tannoyna.com  
 E: anfragen@tannoy.com  
 E: ventes@tannoy.com

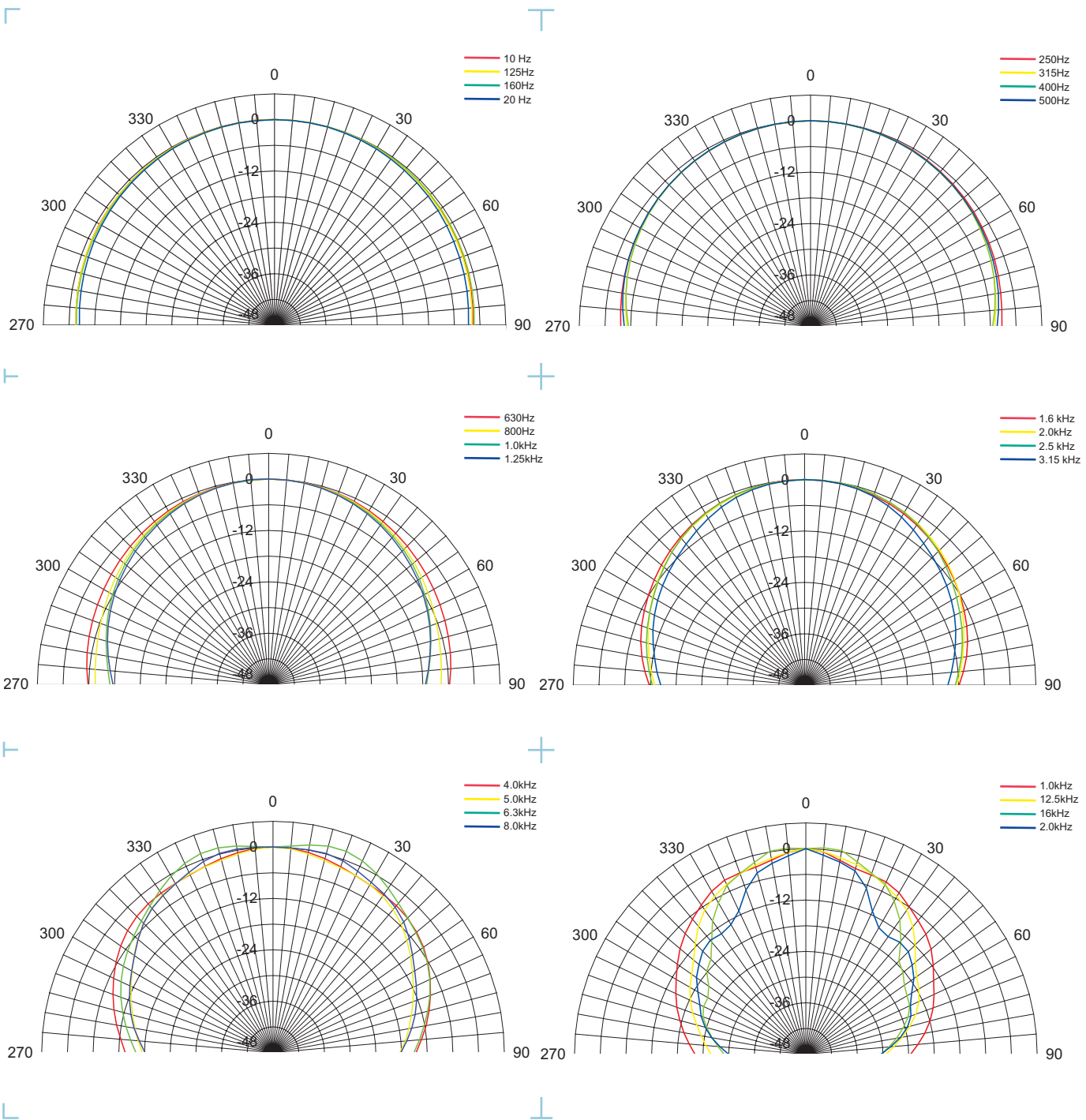
tannoy.com



# Definition Install DC6i

TANNOY®

## PERFORMANCE MEASUREMENTS POLAR PLOTS (1/3 OCTAVE)



Tannoy United Kingdom  
 Tannoy North America  
 Tannoy Deutschland  
 Tannoy France

T: 00 44 (0) 1236 420199  
 T: 00 1 (519) 745 1158  
 T: 00 49 (180) 1111 881  
 T: 00 33 (0)1 7036 7473

E: enquiries@tannoy.com  
 E: inquiries@tannoyna.com  
 E: anfragen@tannoy.com  
 E: ventes@tannoy.com

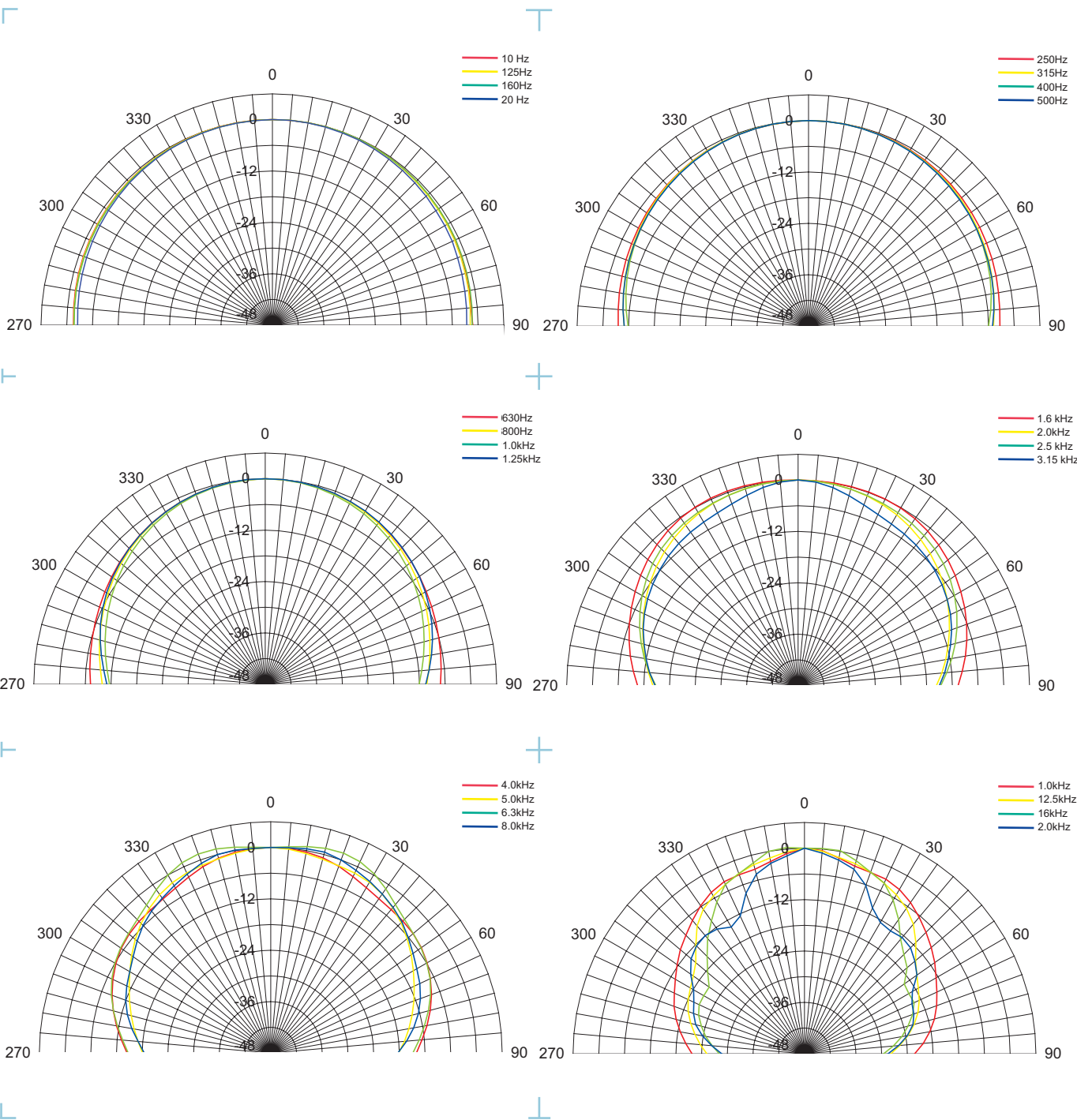
tannoy.com



# Definition Install DC6i

**TANNOY**

## PERFORMANCE MEASUREMENTS POLAR PLOTS (1/3 OCTAVE)



Tannoy United Kingdom  
 Tannoy North America  
 Tannoy Deutschland  
 Tannoy France

T: 00 44 (0) 1236 420199  
 T: 00 1 (519) 745 1158  
 T: 00 49 (180) 1111 881  
 T: 00 33 (0)1 7036 7473

E: enquiries@tannoy.com  
 E: inquiries@tannoyna.com  
 E: anfragen@tannoy.com  
 E: ventes@tannoy.com

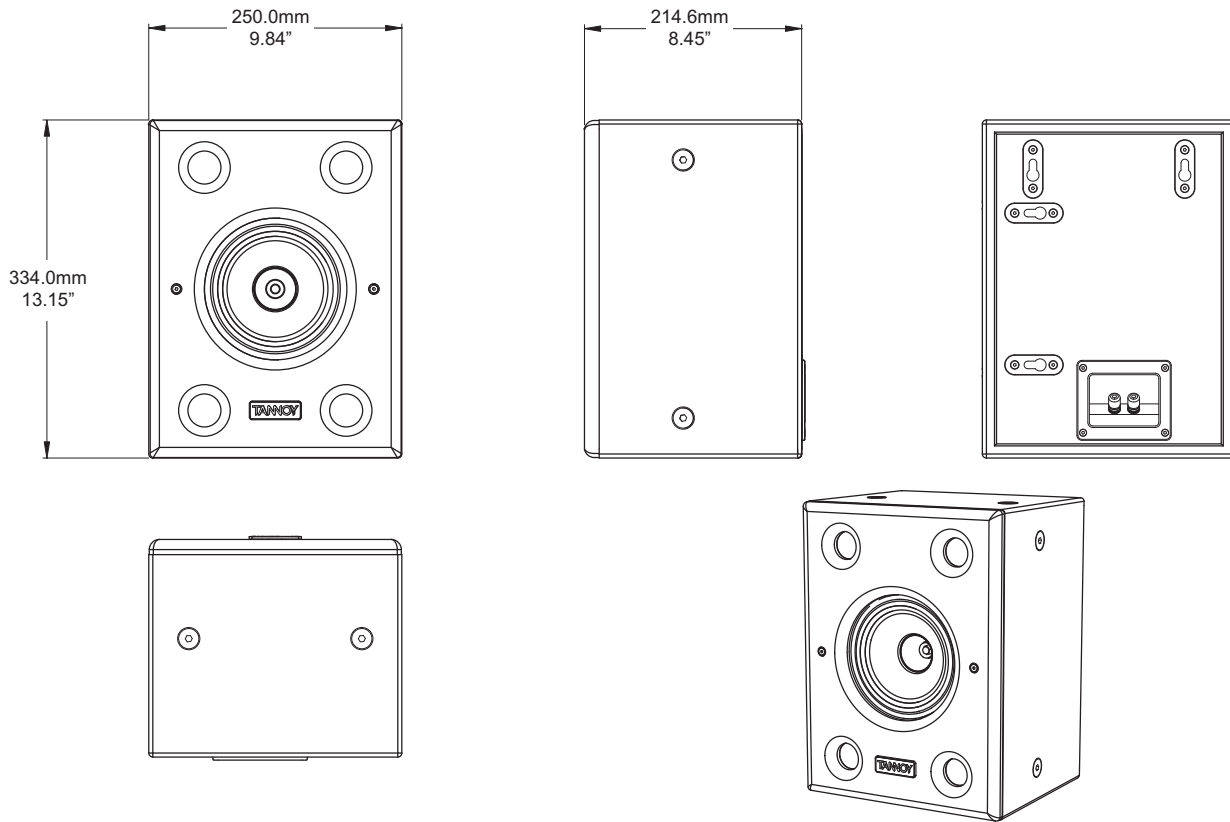
**tannoy.com**



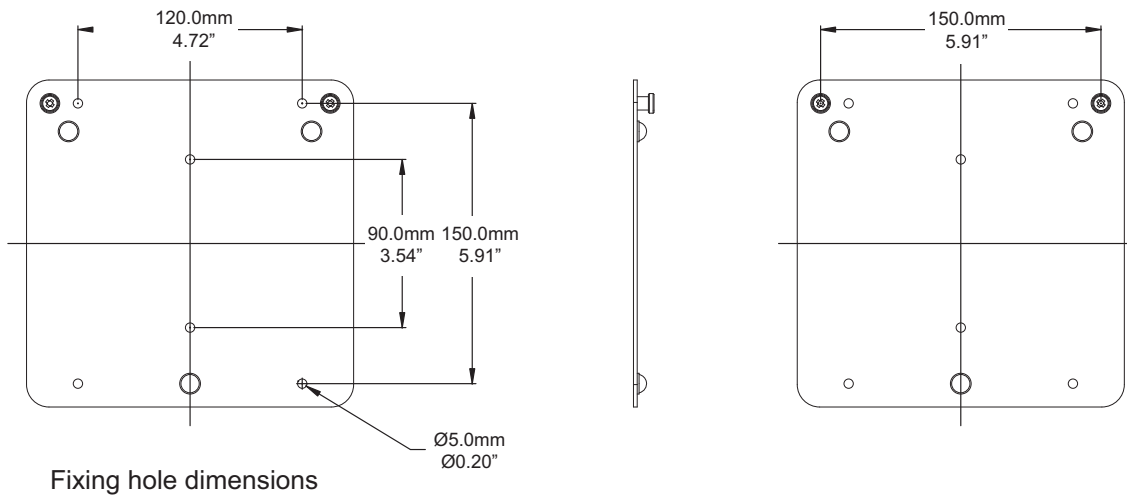
# Definition Install DC6i

**TANNOY**

## DIMENSIONAL SKETCHES



## SUPPLIED WALL MOUNTING PLATE



Tannoy United Kingdom  
 Tannoy North America  
 Tannoy Deutschland  
 Tannoy France

T: 00 44 (0) 1236 420199  
 T: 00 1 (519) 745 1158  
 T: 00 49 (180) 1111 881  
 T: 00 33 (0)1 7036 7473

E: enquiries@tannoy.com  
 E: inquiries@tannoyna.com  
 E: anfragen@tannoy.com  
 E: ventes@tannoy.com

**tannoy.com**



# Definition Install DC6i

TANNOY®

## Architectural specifications

The loudspeaker shall consist of a 150mm (6.00") full range, point source Dual Concentric™ transducer. The low and high frequency elements shall be combined by an internal passive crossover network operating at 1.6kHz with dynamic HF protection.

Performance of the loudspeaker, without any electronic control, shall meet or exceed the following criteria: Frequency range measured at 1 metre on axis with swept sine wave shall be 70Hz to 45kHz. Sensitivity shall be at least 90dB (anechoic) for 2.83 Volts @ 1 metre and shall be capable of producing a peak output level of 116dB (anechoic) on axis at 1 metre. The dispersion of the loudspeaker shall be 90 degrees conical (-6dB). The system shall have a nominal impedance of 8 Ohms and maximum power handling shall be 200 Watts (programme).

The enclosure shall be an optimally tuned 11.9 litre vented cabinet of MDF construction. Connectors shall be 2 x 4mm binding posts. The enclosure shall be fitted with 8 x integral M10 bracket inserts and 4 x keyhole fixings for portrait or landscape mounting using supplied wall plate.

The enclosure shall not exceed the following dimensions: 334 x 250 x 214mm (13.15 x 9.84 x 8.45") (H x W x D).

The loudspeaker shall be the Tannoy... Definition Install DC6i.

Tannoy United Kingdom  
Tannoy North America  
Tannoy Deutschland  
Tannoy France

T: 00 44 (0) 1236 420199  
T: 00 1 (519) 745 1158  
T: 00 49 (180) 1111 881  
T: 00 33 (0)1 7036 7473

E: enquiries@tannoy.com  
E: inquiries@tannoyna.com  
E: anfragen@tannoy.com  
E: ventes@tannoy.com

tannoy.com