

Before returning this product call

1-800-4-DEWALT

IF YOU SHOULD EXPERIENCE A PROBLEM WITH YOUR DEWALT PURCHASE,

CALL 1-800-4 DEWALT

IN MOST CASES, A DEWALT REPRESENTATIVE CAN RESOLVE YOUR
PROBLEM OVER THE PHONE.

IF YOU HAVE A SUGGESTION OR COMMENT, GIVE US A CALL.
YOUR FEEDBACK IS VITAL TO THE SUCCESS OF DEWALT'S QUALITY
IMPROVEMENT PROGRAM.

Questions? See us on the World Wide Web at www.dewalt.com

**INSTRUCTION MANUAL
GUIDE D'UTILISATION
MANUAL DE INSTRUCCIONES**

INSTRUCTIVO DE OPERACIÓN, CENTROS DE SERVICIO Y PÓLIZA
DE GARANTÍA. **ADVERTENCIA:** LÉASE ESTE INSTRUCTIVO ANTES
DE USAR EL PRODUCTO.

DEWALT®

DW705 (120 Volt), DW705 (220 Volt)

12" Compound Miter Saw

Scie à Inglets 300 mm (12 po)

Sierra de ángulo compuesto 300 mm (12")

Table of Contents

DOUBLE INSULATION/POLARIZED PLUG INSTRUCTIONS	1	OPERATION	7
SAFETY INSTRUCTIONS FOR ALL TOOLS	1	SWITCH	7
ADDITIONAL SAFETY RULES	1	CUTTING WITH YOUR SAW	7
ELECTRICAL CONNECTION	2	CROSSCUTS	7
UNPACKING YOUR SAW	2	BEVEL CUTS	7
FAMILIARIZATION	2	QUALITY OF CUT	8
SPECIFICATIONS	3	BODY AND HAND POSITION	8
OPTIONAL ACCESSORIES	3	CLAMPING THE WORKPIECE	8
ACCESSORIES	4	SUPPORT FOR LONG PIECES	8
BENCH MOUNTING	4	CUTTING PICTURE FRAMES, SHADOW BOXES AND OTHER FOUR SIDED PROJECTS	9
INSTALLING THE BLADE	4	CUTTING TRIM MOLDING AND OTHER FRAMES	9
INSTALLING EXTENSION KIT (some models)	5	CUTTING COMPOUND MITERS	9
REAR LOWER GUARD ADJUSTMENT	5	DUAL RANGE MITER SCALE	10
TRANSPORTING THE SAW	5	VERNIER SCALE	10
ADJUSTMENTS	5	CUTTING BASE MOLDING	10
MITER SCALE ADJUSTMENT	5	CUTTING CROWN MOLDING	11
MITER POINTER ADJUSTMENT	5	SPECIAL CUTS	12
BEVEL SQUARE TO TABLE	6	MAINTENANCE	13
BEVEL POINTER	6	REPAIRS	13
BEVEL STOP	6	TABLE 1: COMPOUND MITER CUT	13
FENCE ADJUSTMENT	6	WARRANTY	13
GUARD ACTUATION AND VISIBILITY	6	TROUBLESHOOTING GUIDE	14
AUTOMATIC ELECTRIC BRAKE	7		
BRUSHES	7		

IF YOU HAVE ANY QUESTIONS OR COMMENTS ABOUT THIS OR ANY DeWALT TOOL, CALL US TOLL FREE AT: **1-800-4-DeWALT (1-800-433-9258)**

Important Safety Instructions



WARNING: When using electric tools, basic safety precautions should always be followed to reduce risk of fire, electric shock, and personal injury, including the following:

READ ALL INSTRUCTIONS

Double Insulation

Double insulated tools are constructed throughout with two separate layers of electrical insulation or one double thickness of insulation between you and the tool's electrical system. Tools built with this insulation system are not intended to be grounded. As a result, your tool is equipped with a two prong plug which permits you to use extension cords without concern for maintaining a ground connection.

NOTE: Double insulation does not take the place of normal safety precautions when operating this tool. The insulation system is for added protection against injury resulting from a possible electrical insulation failure within the tool.

CAUTION: WHEN SERVICING USE ONLY IDENTICAL REPLACEMENT PARTS. Repair or replace damaged cords.

Polarized Plugs

Polarized plugs (one blade is wider than the other) are used on equipment to reduce the risk of electric shock. When provided, this plug will fit in the polarized outlet only one way. If the plug does not fit fully in the outlet, reverse the plug. If it still does not fit, contact a qualified electrician to install the proper outlet. Do not change the plug in any way.

Safety Instructions For All Tools

- **KEEP GUARD IN PLACE** and in working order.
- **REMOVE ADJUSTING KEYS AND WRENCHES.** Form habit of checking to see that keys and adjusting wrenches are removed from spindle before turning tool on.
- **KEEP WORK AREA CLEAN.** Cluttered areas and benches invite accidents.
- **DON'T USE IN DANGEROUS ENVIRONMENT.** Don't use power tools in damp or wet locations, or expose them to rain. Keep work area well lighted.
- **KEEP CHILDREN AWAY.** All visitors should be kept at a safe distance from work area.
- **MAKE WORKSHOP KID PROOF** with padlocks, master switches, or by removing starter keys.
- **DON'T FORCE TOOL.** It will do the job better and be safer at the rate for which it was designed.
- **USE RIGHT TOOL.** Don't force tool or attachment to do a job for which it was not designed.
- **WEAR PROPER APPAREL.** No loose clothing, gloves, neckties, rings, bracelets, or other jewelry to get caught in moving parts. Non-slip footwear is recommended. Wear protective hair covering to contain long hair.
- **ALWAYS WEAR SAFETY GLASSES.** Also use face or dust mask if cutting operation is dusty. Everyday eyeglasses have only impact resistant lenses, they are NOT safety glasses.
- **SECURE WORK.** Use clamps or vise when you cannot secure the workpiece on the table and against the fence by hand or when your hand will be dangerously close to the blade (within 6").
- **DON'T OVERREACH.** Keep proper footing and balance at all times.
- **MAINTAIN TOOLS WITH CARE.** Keep tools sharp and clean for best and safest performance. Follow instructions for lubricating and changing accessories.
- **DISCONNECT TOOLS** before servicing; when changing accessories such as blades, bits, cutters, etc.

- **REDUCE THE RISK OF UNINTENTIONAL STARTING.** Make sure switch is in OFF position before plugging in.
- **USE RECOMMENDED ACCESSORIES.** Consult the instruction manual for recommended accessories. The use of improper accessories may cause risk of injury to persons.
- **NEVER STAND ON TOOL.** Serious injury could occur if the tool is tipped or if the cutting tool is unintentionally contacted.
- **CHECK DAMAGED PARTS.** Before further use of the tool, a guard or other part that is damaged should be carefully checked to determine that it will operate properly and perform its intended function—check for alignment of moving parts, binding of moving parts, breakage of parts, mounting and any other conditions that may affect its operation. A guard or other part that is damaged should be properly repaired or replaced. Do not use tool if switch does not turn it on and off.
- **NEVER LEAVE TOOL RUNNING UNATTENDED. TURN POWER OFF.** Don't leave tool until it comes to a complete stop.
- **DO NOT OPERATE ELECTRIC TOOLS NEAR FLAMMABLE LIQUIDS OR IN GASEOUS OR EXPLOSIVE ATMOSPHERES.** Motors in these tools may spark and ignite fumes.
- **EXTENSION CORDS.** Make sure your extension cord is in good condition. When using an extension cord, be sure to use one heavy enough to carry the current your product will draw. An undersized cord will cause a drop in line voltage resulting in loss of power and overheating. The following table shows the correct size to use depending on cord length and nameplate ampere rating. If in doubt, use the next heavier gage. The smaller the gage number, the heavier the cord.

Volts	Minimum Gage for Cord Sets					
	Total Length of Cord in Feet					
120V	0-25	26-50	51-100	101-150		
240V	0-50	51-100	101-200	201-300		
Ampere Rating		AWG				
More Than	Not more Than					
0	-	6	18	16	16	14
6	-	10	18	16	14	12
10	-	12	16	16	14	12
12	-	16	14	12	Not Recommended	

Additional Safety Rules For Miter Saws

CAUTION: FAILURE TO HEED THESE WARNINGS MAY RESULT IN PERSONAL INJURY AND SERIOUS DAMAGE TO THE SAW.

- DO - Protect electric supply line with at least a 15 ampere time-delay fuse or a circuit breaker.
- DO - Make certain the blade rotates in the correct direction and that the teeth at the bottom of the blade are pointing to the rear of the miter saw.
- DO - Be sure all clamp handles are tight before starting any operation.
- DO - Be sure all blade and clamp washers are clean and recessed sides of collars are against blade. Tighten arbor screw securely.
- DO - Keep saw blade sharp.
- DO - Keep motor air slots free of chips and dirt.
- DO - Use blade guards at all times.
- DO - Keep hands out of path of saw blade.
- DO - Shut off power, disconnect cord from power source and wait for saw blade to stop before servicing or adjusting tool.

- *DO* - Support long work with an outboard tool rest.
- *DON'T* - Attempt to operate on anything but designated voltage.
- *DON'T* - Operate unless all clamp handles are tight.
- *DON'T* - Use blades larger or smaller than those which are recommended.
- *DON'T* - Wedge anything against fan to hold motor shaft.
- *DON'T* - Force cutting action. (Stalling or partial stalling of motor can cause major damage. Allow motor to reach full speed before cutting.)
- *DON'T* - Cut ferrous metals (Those with any iron or steel content) or any masonry.
- *DON'T* - Use abrasive wheels. The excessive heat and abrasive particles generated by them will damage the saw.
- *DON'T* - Allow anyone to stand behind saw.
- *DON'T* - Apply lubricants to the blade when it's running.
- *DON'T* - Place either hand in the blade area when the saw is connected to the power source.
- *DON'T* - Use blades rated less than 4800 R.P.M.
- *DO NOT* - Cut small pieces without clamping. Keep hands 6" or more from blade.
- *DON'T* - Operate saw without guards in place.
- *DON'T* - Perform any operation freehand.
- *DON'T* - Reach around or behind saw blade.
- *DON'T* - Place hands closer than 6 inches from the saw blade.
- *DO NOT* - Reach underneath the saw unless it is turned off and unplugged. The saw blade is exposed on the underside of the saw.
- *DO NOT* - Move either hand from saw or workpiece or raise arm until blade has stopped.
- *DO NOT* - Use without Kerf Plate or when kerf slot is wider than 3/8".

▲CAUTION: Wear appropriate personal hearing protection during use. Under some conditions and duration of use, noise from this product may contribute to hearing loss.

▲WARNING: Some dust created by power sanding, sawing, grinding, drilling, and other construction activities contains chemicals known to cause cancer, birth defects or other reproductive harm. Some examples of these chemicals are:

- lead from lead-based paints,
- crystalline silica from bricks and cement and other masonry products, and
- arsenic and chromium from chemically-treated lumber (CCA).

Your risk from these exposures varies, depending on how often you do this type of work. To reduce your exposure to these chemicals: work in a well ventilated area, and work with approved safety equipment, such as those dust masks that are specially designed to filter out microscopic particles.

• **Avoid prolonged contact with dust from power sanding, sawing, grinding, drilling, and other construction activities. Wear protective clothing and wash exposed areas with soap and water.** Allowing dust to get into your mouth, eyes, or lay on the skin may promote absorption of harmful chemicals.

▲WARNING: Use of this tool can generate and/or disburse dust, which may cause serious and permanent respiratory or other injury. Always use NIOSH/OSHA approved respiratory protection appropriate for the dust exposure. Direct particles away from face and body.

For your convenience and safety, the following warning labels are on your miter saw.

ON MOTOR HOUSING:

WARNING: FOR YOUR OWN SAFETY, READ INSTRUCTION MANUAL BEFORE OPERATING SAW.

WHEN SERVICING, USE ONLY IDENTICAL REPLACEMENT PARTS.

ALWAYS WEAR EYE PROTECTION.

DO NOT EXPOSE TO RAIN OR USE IN DAMP LOCATIONS.

ON MOVING FENCE:

ALWAYS ADJUST FENCE PROPERLY BEFORE USE. Clamp small pieces before cutting. See manual.

ON GUARD:

DANGER – KEEP AWAY FROM BLADE.

ON GUARD RETAINER PLATE:

PROPERLY SECURE BRACKET WITH BOTH SCREWS BEFORE USE.

ON DETENT PLATE: (2 PLACES)

ALWAYS TIGHTEN ADJUSTMENT KNOBS BEFORE USE.

KEEP HANDS 6" FROM PATH OF SAW BLADE.

NEVER PERFORM ANY OPERATION FREEHAND.

NEVER CROSS ARMS IN FRONT OF BLADE.

THINK! YOU CAN PREVENT ACCIDENTS.

DO NOT OPERATE SAW WITHOUT GUARDS IN PLACE.

NEVER REACH IN BACK OF SAW BLADE.

TURN OFF TOOL, KEEP SAW HEAD DOWN AND WAIT FOR SAW BLADE TO STOP BEFORE MOVING HANDS, WORKPIECE OR CHANGING SETTINGS.

UNPLUG TOOL BEFORE CHANGING BLADE, MOVING OR SERVICING UNIT.

Electrical Connection

Be sure your power supply agrees with the nameplate marking. 120 volts, AC/DC means that your saw will operate on alternating or direct current. A voltage decrease of 10 percent or more will cause a loss of power and overheating. All DEWALT tools are factory tested. If this tool does not operate, check the power supply.

Unpacking Your Saw

Check the contents of your miter saw carton to make sure that you have received all parts. In addition to this instruction manual, the carton should contain:

1. One No. DW705 miter saw.
2. One DEWALT 12" dia. saw blade
3. One blade wrench in wrench pocket shown in Figure 2.
4. One DW7053 Dustbag (Some models)
5. One Side Table Extension (Some Models)

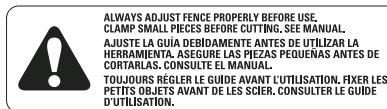
Familiarization

Your miter saw is fully assembled in the carton. Open the box and lift the saw out by the convenient carrying handle, as shown in Figure 1.

Place the saw on a smooth, flat surface such as a workbench or strong table.

Examine Figures 2 and 3 to become familiar with the saw and its various parts. The following section on adjustments will refer to these terms and you must know what and where the parts are.

Press down lightly on the operating handle and pull out the lock down pin, as shown in Figure 4. Gently release the downward pressure and allow the arm to rise to its full height. Use the lock down pin when carrying the saw from one place to another. Always use the carrying handle to transport the saw or the hand indentations shown in Figure 3.

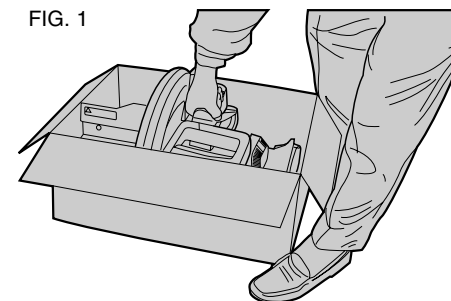


DANGER
PELIGRO

KEEP AWAY FROM BLADE
MANTÉNESE ALLIADO DE LA LAMINA
S'ÉLOIGNER DE LA LAME



FIG. 1



Specifications

CAPACITY OF CUT

48 degree miter left and right	
48 degree bevel left: 3 degree right	
0 degree miter	
Max. Height 3.9"	Result Width 5.9"
Max. Width 7.9"	Result Height 2.5"
45 degree miter	
Max. Height 3.9"	Result Width 4.1"
Max. Width 5.5"	Result Height 2.5"
45 degree bevel	
Max. Height 2.7"	Result Width 5.9"
Max. Width 7.9"	Result Height 1.7"

DRIVE

120 Volt Motor

2000 Watts	15 Amp Motor
4000 RPM	Cut Helical Gears
Automatic Electric Brake	with Roller Bearings
	Carbide Blade

Optional Accessories

The following accessories, designed for your saw, may be helpful. In some cases, other locally obtained work supports, length stops, clamps, etc., may be more appropriate. Use care in selecting and using accessories.

Extension, Work Support: DW7050

Used to support long overhanging workpieces, the work support is user assembled and stores conveniently under the saw table. Your saw table is designed to accept two work supports; one on each side (page 4).

Adjustable Length Stop: DW7051

Requires the use of one work support (see above). It is used to make repetitive cuts of the same length from 0 to 42" (page 4).

Clamp: DW7052

Used for firmly clamping workpiece to the saw fence for precision cutting (page 4).

Dust Bag: DW7053

Equipped with a zipper for easy emptying, the dust bag will capture the majority of the sawdust produced. (Not shown)

Crown Molding Fence: DW7054

Used for precision cutting of crown molding (page 4).

SAW BLADES: ALWAYS USE 12" SAW BLADES WITH 1" ARBOR HOLES. SPEED RATING MUST BE AT LEAST 4800 RPM.

FIG. 2

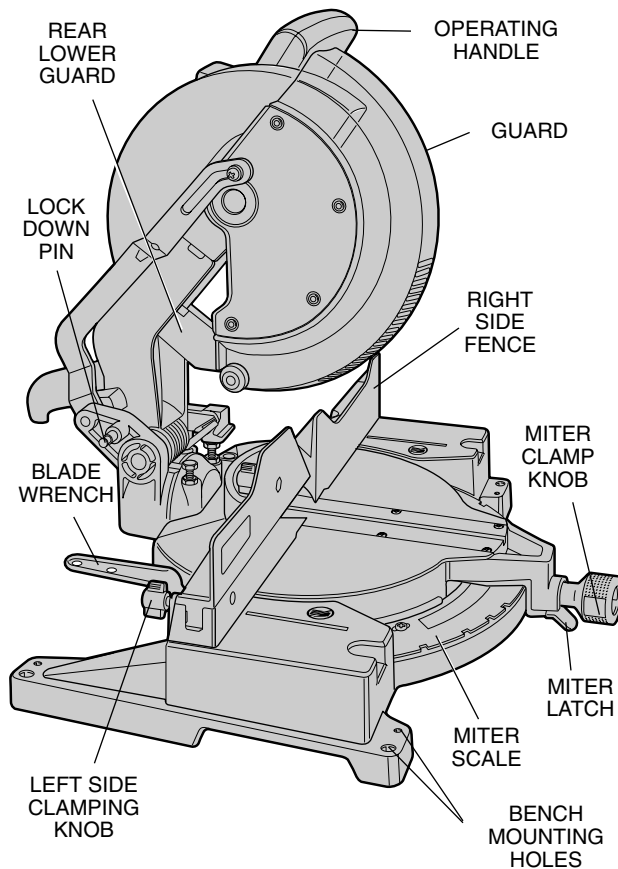
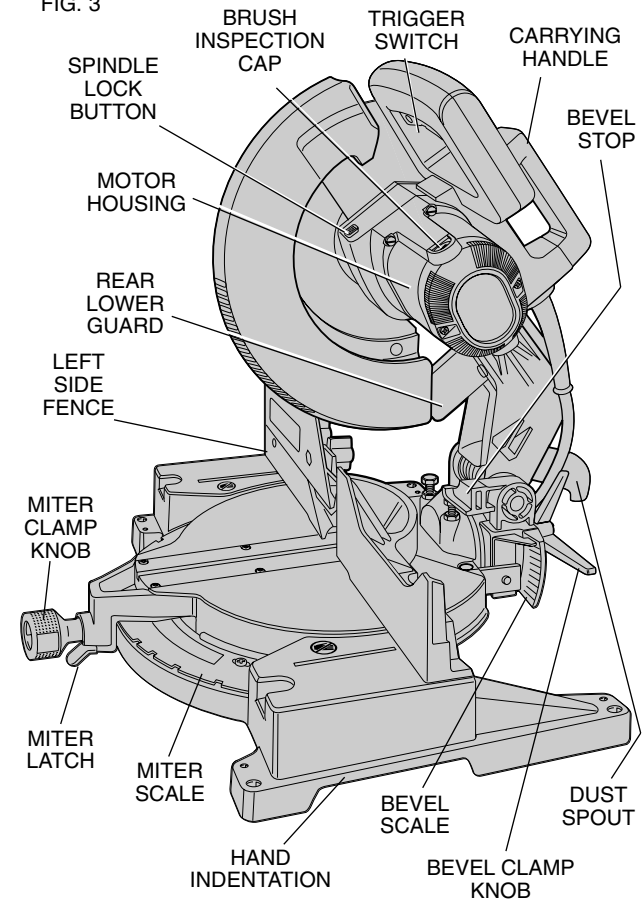
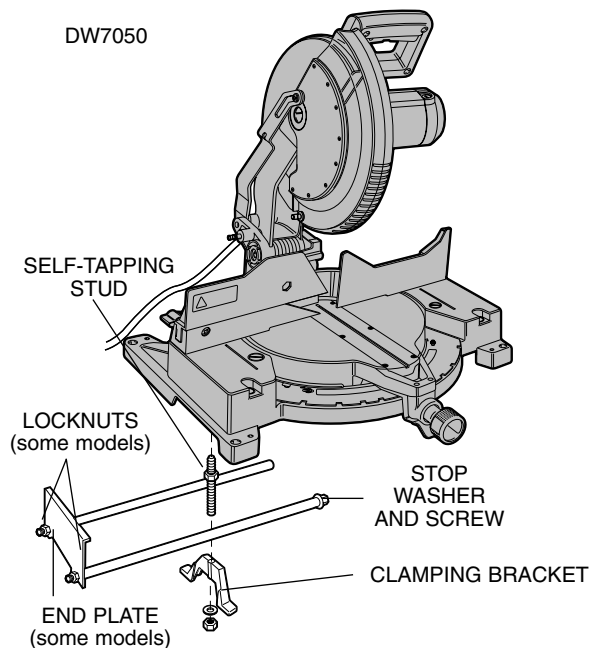


FIG. 3

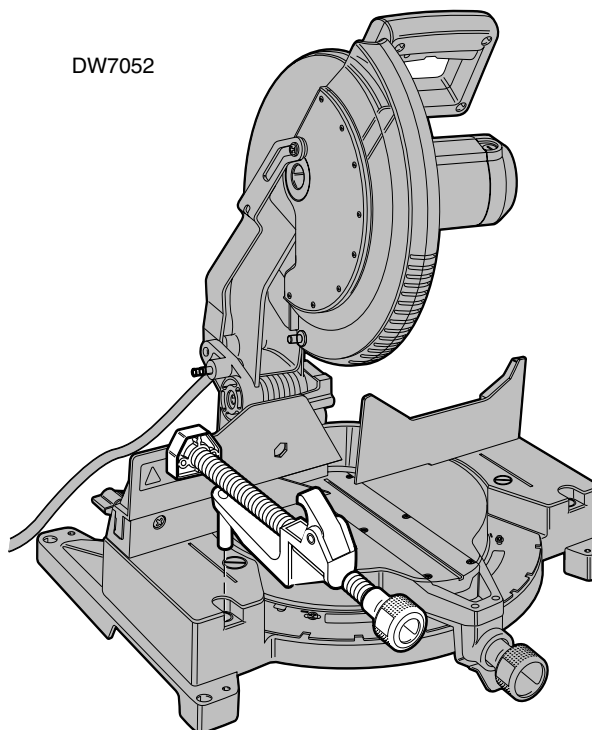


CAT NO.	APPLICATION	BLADE DESC.	NO. OF TEETH	TYPE OF CUT
DW3128	Fine Trim Molding	Thin Kerf	80	Smooth, Splinter Free
DW3228	Fine Trim Molding	Thick Kerf	80	Very Smooth, Splinter Free
DW7296	Fine Trim Molding	Thick Kerf	96	Ultra Smooth Splinter Free
DW3123	Framing, Decking	Thin Kerf	32	Fast Cut
DW3224	Framing, Decking	Thick Kerf	48	All around cutting
DW3226	Trim, Framing Decking	Thick Kerf	60	Smooth Cross Cuts
DW3229	Non-Ferrous Metals	Thick Kerf special tooth grind	80	Straight, burr free

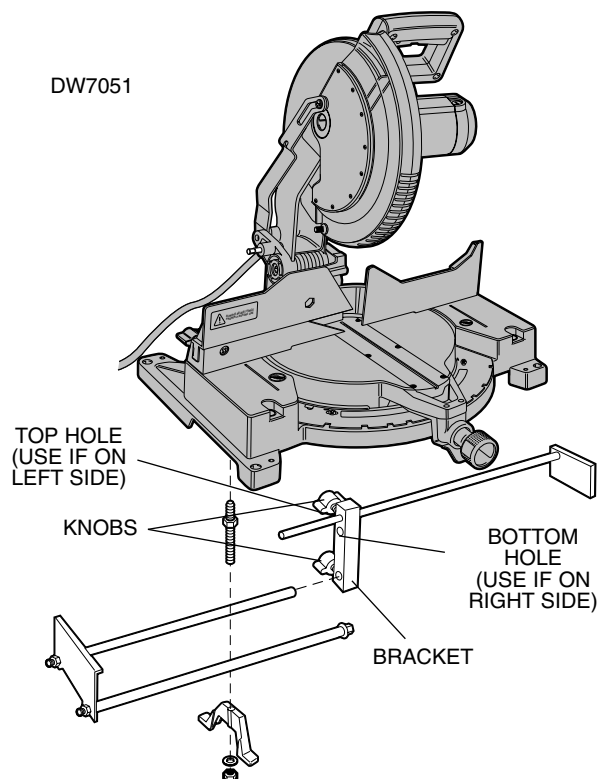
DW7050



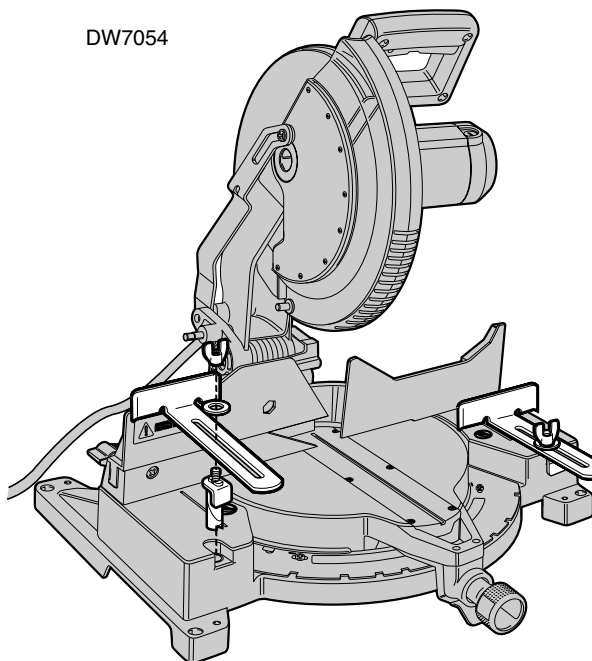
DW7052



DW7051



DW7054



Accessories

Recommended accessories for use with your tool are available at extra cost from your local service center.

▲ CAUTION: The use of any non-recommended accessory such as dado sets, molding cutters, or abrasive wheels may be hazardous.

If you need assistance in locating any accessory, please contact DeWALT Industrial Tool Co., 701 East Joppa Road, Baltimore, MD 21286 or call 1-800-4-DEWALT (1-800-433-9258).

Bench Mounting

Holes are provided in all four feet to facilitate bench mounting, as shown in Figure 2. (Two different sized holes are provided to accommodate different sizes of screws. Use either hole, it is not necessary to use both.) Always mount your saw firmly to prevent movement. To enhance the tool's portability, it can be mounted to a piece of 1/2" or thicker plywood which can then be clamped to your work support or moved to other job sites and reclamped.

NOTE: If you elect to mount your saw to a piece of plywood, make sure that the mounting screws don't protrude from the bottom of the wood. The plywood must sit flush on the work support. When clamping the saw to any work surface, clamp only on the clamping bosses where the mounting screw holes are located. Clamping at any other point will surely interfere with the proper operation of the saw.

▲ CAUTION: To prevent binding and inaccuracy, be sure the mounting surface is not warped or otherwise uneven. If the saw rocks on the surface place a thin piece of material under one saw foot until the saw sits firmly on the mounting surface.

IMPORTANT SAFETY INSTRUCTIONS

Changing or Installing a New Saw Blade (Fig. 5, 6)

▲ CAUTION:

- Never depress the spindle lock button while the blade is under power or coasting.
- Do not cut ferrous metal (containing iron or steel) or masonry or fiber cement product with this miter saw.

Removing the Blade

1. Unplug the saw.
2. Raise the arm to the upper position and raise the lower guard (A) as far as possible.
3. Loosen, but do not remove guard bracket screw (B) until the bracket can be raised far enough to access the blade screw.

- Depress the spindle lock button (Fig. 3) while carefully rotating the saw blade by hand until the lock engages.
- Keeping the button depressed, use the other hand and the wrench provided (D) to loosen the blade screw. (Turn clockwise, left-hand threads)
- Remove the blade screw (E), outer clamp washer (F), and blade (G). The 1" (25.4mm) blade adapter (H), if used, and the inner clamp washer (I), may be left on the spindle.

NOTE: For blades with a blade hole of 5/8" (15.88mm), the 1" (25.4mm) blade adapter is not used.

Installing a Blade

- Unplug the saw.
- With the arm raised, the lower guard held open and the pivot plate raised, place the blade on the spindle, onto the blade adapter [if using a blade with a 1" (25.4mm) diameter blade hole] and against the inner clamp washer with the teeth at the bottom of the blade pointing toward the back of the saw.
- Assemble the outer clamp washer onto the spindle.
- Install the blade screw and, engaging the spindle lock, tighten the screw firmly with wrench provided. (Turn counterclockwise, left-hand threads)

NOTE: When using blades with a 5/8" (15.88mm) diameter blade hole, the blade adapter will not be used and should be stored in a safe place for future use.

- Return the guard bracket to its original position and firmly tighten the guard bracket screw to hold bracket in place.

▲ **WARNING:**

- The guard bracket must be returned to its original position and the screw tightened before activating the saw.**
- Failure to do so may allow the guard to contact the spinning saw blade resulting in damage to the saw and severe personal injury.**

Installing Extension Kit

Side Table Extension (Some Models)

BE SURE TO OBSERVE ALL OF THE SAFETY INSTRUCTIONS IN YOUR MITER SAW INSTRUCTION MANUAL.

UNPLUG THE MITER SAW BEFORE INSTALLING, ADJUSTING OR REMOVING THE EXTENSION KIT.

The extension kit can be used on either or both sides of the saw. The supplied extension kit is factory installed on the left side:

- Install the self-tapping stud into the hole underneath the saw.
- Install extension tube making sure the clamping bracket will catch the legs.
- Tighten clamping bracket against the legs.

FIG. 4

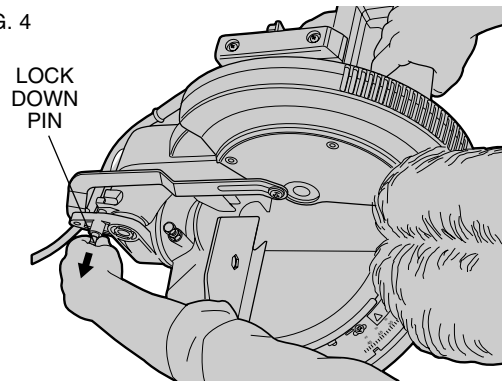


FIG. 5

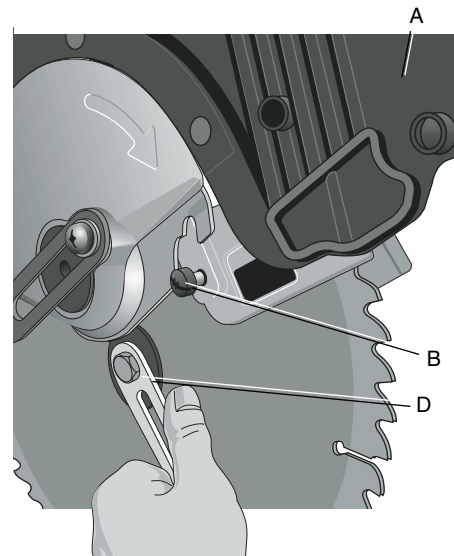
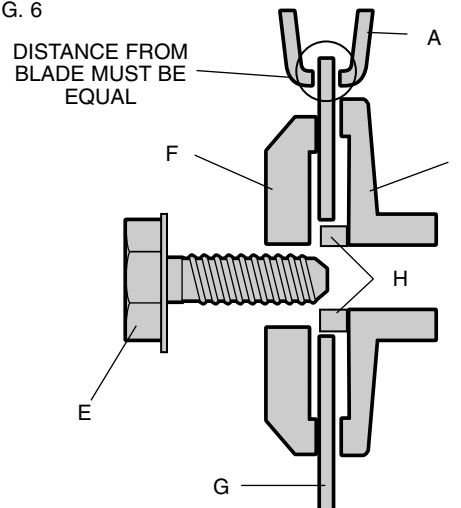


FIG. 6



▲ WARNING: Do not lift, support, or carry the miter saw by the extension kit. To do so may cause tipping and loss of control, leading to personal injury.

NOTE: Before transporting the saw, remove the extension or telescope it into the base.

Rear Lower Guard Adjustment

Check the rear lower guard to ensure that it is located such that the saw blade is in the center and equidistant from each side, as shown in Figures 6 and 7. Adjust as necessary by loosening the two screws and moving the guard. Firmly tighten both screws. Never remove this guard.

Transporting the Saw

TURN OFF AND UNPLUG THE MITER SAW BEFORE ATTEMPTING TO MOVE IT OR MAKE ANY ADJUSTMENTS WHATSOEVER!

In order to conveniently carry the miter saw from place to place, a carrying handle has been included on the top of the saw arm, as shown in Figure 3. To transport the saw, lower the arm and depress the lock down pin shown in Figure 4.

Adjustments

PERFORM ALL ADJUSTMENTS WITH THE MITER SAW UNPLUGGED

NOTE: Your miter saw is fully and accurately adjusted at the factory at the time of manufacture. If readjustment due to shipping and handling or any other reason is required, follow the steps below to adjust your saw.

Once made, these adjustments should remain accurate. Take a little time now to follow these directions carefully to maintain the accuracy of which your saw is capable.

MITER SCALE ADJUSTMENT

Place a square against the saw's fence and blade, as shown in Figure 8. (Do not touch the tips of the blade teeth with the square. To do so will cause an inaccurate measurement.) Loosen the miter clamp knob (see Fig. 9) and swing the miter arm until the miter latch locks it at the 0 miter position. Do not tighten the clamp knob. If the saw blade is not exactly perpendicular to the fence, loosen the three screws that hold the miter scale to the base (shown in Fig. 9) and move the scale/miter arm assembly left or right until the blade is perpendicular to the fence, as measured with the square. Retighten the three screws. Pay no attention to the reading of the miter pointer at this point.

MITER POINTER ADJUSTMENT

Loosen the miter clamp knob and squeeze the miter latch to move the miter arm to the zero position, as shown in Figure 9. With the miter clamp knob loose allow the miter latch to snap into place as you rotate the miter arm past zero. Observe the pointer and miter scale through the viewing opening shown in Figure 10. If the pointer does not indicate exactly zero, gently pry it left or right using a flat bladed screwdriver.

FIG. 7

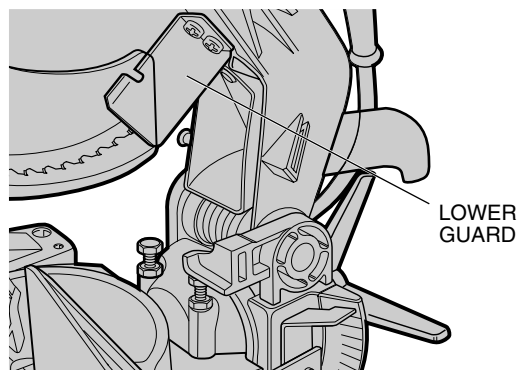


FIG. 8

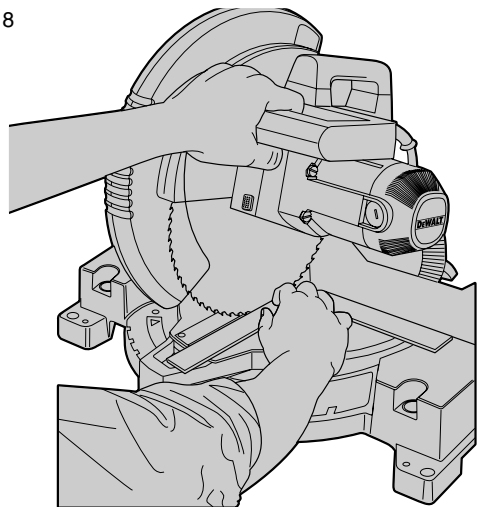
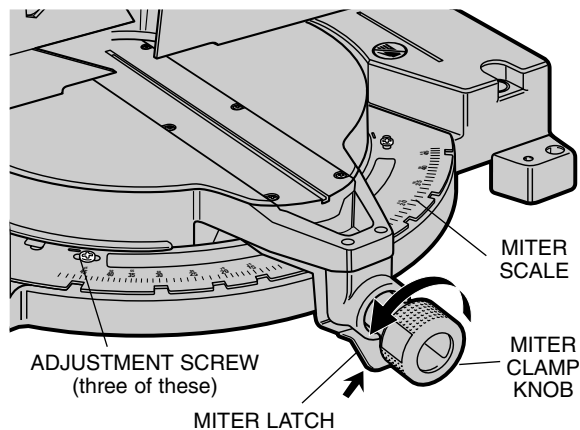


FIG. 9



BEVEL SQUARE TO TABLE

To align the blade square to the rotary table, lock the arm in the down position. Place a square against the blade taking care to not have the square on top of a tooth, as shown in Figure 11. Loosen the Bevel Clamp Knob so that you can move the Bevel Arm. Move the Bevel Arm as necessary so that the blade is at zero degrees bevel to the table. If the Bevel Arm needs adjustment, loosen the lock nut on the right side Bevel Stop as shown in Figure 12, and adjust the stop screw as necessary. Hold the stop screw in place and tighten the lock nut.

BEVEL POINTER

If the bevel pointer does not indicate zero, loosen the screw that holds it in place and move the pointer as necessary. **SUGGESTION:** The bevel pointer is quite thick and for accuracy's sake set the top edge so that it aligns with zero.

BEVEL STOP

To set the 45 degree bevel stop, first loosen the left side fence clamping knobs and slide the left side fence as far as it will go to the left. Move the arm to the left until it stops on the left bevel stop screw. If the bevel pointer does not indicate exactly 45 degrees, loosen the left side bevel stop lock nut and turn the screw downwards. Move the arm to the left and tighten the bevel clamp knob firmly when the bevel pointer indicates exactly 45 degrees. Adjust the left side bevel stop screw upwards until it firmly touches the bevel stop. Retighten the nut while holding the screw from turning.

To achieve 3 degree right bevel or 48 degree left bevel, the stop screws must be adjusted to allow the arm to move to the desired location. The bevel stops will need readjustment to the zero and 45 degree positions after cuts are made.

FENCE ADJUSTMENT

Turn Off and Unplug the Miter Saw

In order that the saw can bevel to a full 48 degrees left, the left side of the fence can be adjusted to the left to provide clearance. To adjust the fence, loosen the plastic knob shown in Figure 13 and slide the fence to the left. Make a dry run with the saw turned off and check for clearance. Adjust the fence to be as close to the blade as practical to provide maximum workpiece support, without interfering with arm up and down movement. Tighten the knob securely. When the bevel operations are complete, don't forget to relocate the fence to the right.

NOTE: The guide groove, shown in Figure 14, of the left side fence can become clogged with sawdust. If you notice that it is becoming clogged, use a stick or some low pressure air to clear the guide groove.

GUARD ACTUATION AND VISIBILITY

The blade guard on your saw has been designed to automatically raise when the arm is brought down and to lower over the blade when the arm is raised.

The guard can be raised by hand when installing or removing saw blades or for inspection of the saw. **NEVER RAISE**

FIG. 10

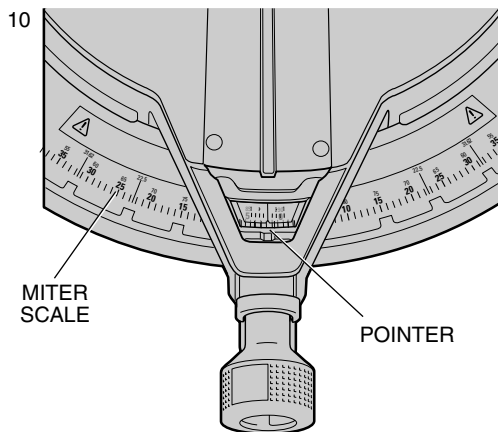
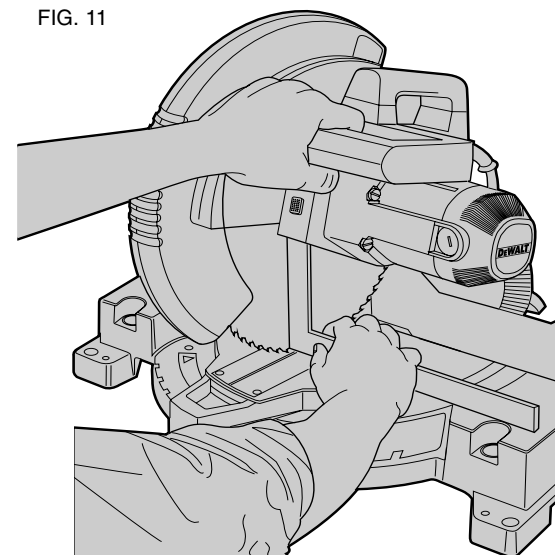


FIG. 11



THE BLADE GUARD MANUALLY UNLESS THE SAW IS TURNED OFF.

NOTE: Certain special cuts will require that you manually raise the guard. See section on cutting base molding up to 3-7/8" high (page 10).

The front section of the guard is louvered for visibility while cutting. Although the louvers dramatically reduce flying debris, they are openings in the guard and safety glasses should be worn at all times when viewing through the louvers.

AUTOMATIC ELECTRIC BRAKE (120 VOLT ONLY)

Your saw is equipped with an automatic electric blade brake which stops the saw blade within 5 seconds of trigger release. This is not adjustable.

On occasion, there may be a delay after trigger release to brake engagement. On rare occasions, the brake may not engage at all and the blade will coast to a stop.

If a delay or "skipping" occurs, turn the saw on and off 4 or 5 times. If the condition persists, have the tool serviced by an authorized DeWalt service center.

Always be sure the blade has stopped before removing it from the kerf. The brake is not a substitute for guards or for ensuring your own safety by giving the saw your complete attention.

Brushes

DISCONNECT PLUG FROM POWER SUPPLY

Inspect carbon brushes regularly by unplugging tool, removing the brush inspection cap (Figure 3) and withdrawing the brush assembly. Keep brushes clean and sliding freely in their guides. Always replace a used brush in the same orientation in the holder as it was prior to its removal. Carbon brushes have varying symbols stamped into their sides, and if the brush is worn down to the line closest to the spring, they must be replaced. Use only identical DeWalt brushes. Use of the correct grade of brush is essential for proper operation of electric brake. New brush assemblies are available at DeWalt service centers. The tool should be allowed to "run in" (run at no load) for 10 minutes before use to seat new brushes. The electric brake may be erratic in operation until the brushes are properly seated (worn in).

While "running in" DO NOT TIE, TAPE, OR OTHERWISE LOCK THE TRIGGER SWITCH ON. HOLD BY HAND ONLY.

Operation

Plug the saw into any household 60 Hz power source. Refer to the nameplate for voltage. Be sure the cord will not interfere with your work.

SWITCH

To turn the saw on, depress the trigger switch as shown in Figure 15. To turn the tool off, release the switch. There is no provision for locking the switch on, but a hole is provided in the trigger for insertion of a padlock to lock the saw off.

FIG. 12

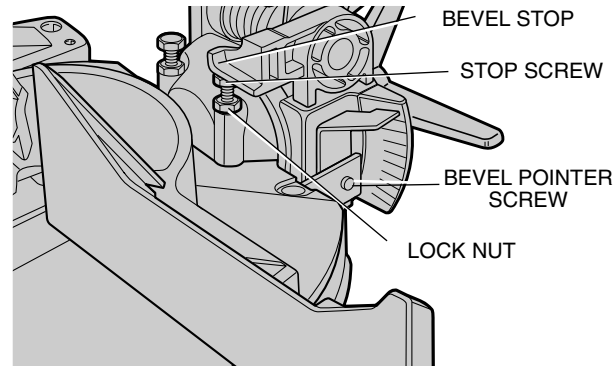


FIG. 13

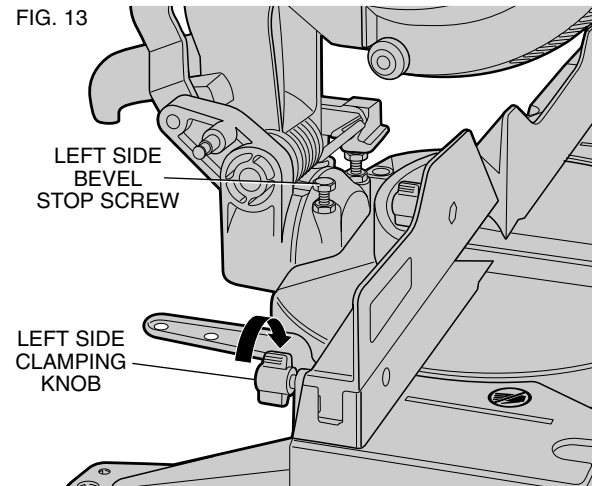
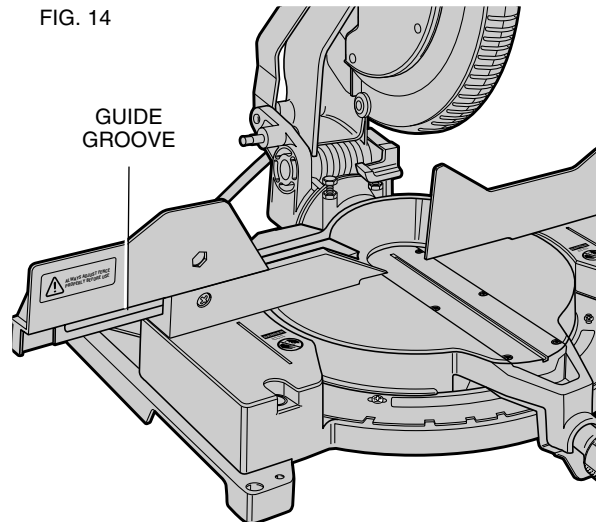


FIG. 14



CUTTING WITH YOUR SAW

NOTE: Although this saw will cut wood and many non-ferrous materials, we will limit our discussion to the cutting of wood only. The same guidelines apply to the other materials. **DO NOT CUT FERROUS (IRON AND STEEL) MATERIALS OR MASONRY WITH THIS SAW.** Do not use any abrasive blades.

CROSSCUTS

Cutting of multiple pieces is not recommended but can be done safely by ensuring that each piece is held firmly against the table and fence. A crosscut is made by cutting wood across the grain at any angle. A straight crosscut is made with the miter arm at the zero degree position. Set the miter arm at zero, hold the wood on the table and firmly against the fence. Turn on the saw by squeezing the trigger switch as shown in Figure 15.

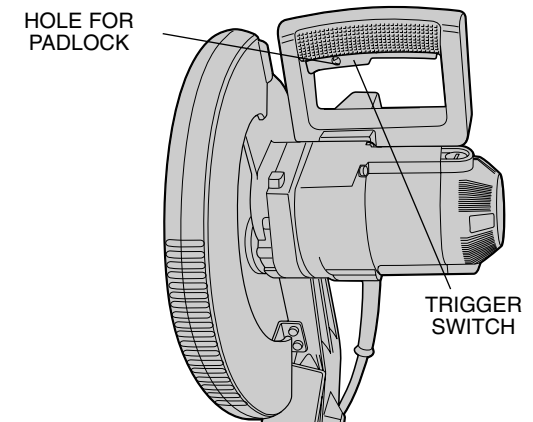
When the saw comes up to speed (about 1 second) lower the arm smoothly and slowly to cut through the wood. Let the blade come to a full stop before raising arm.

Miter crosscuts are made with the miter arm at some angle other than zero. This angle is often 45 degrees for making corners, but can be set anywhere from zero to 48 degrees left or right. After selecting the desired miter angle, be sure to tighten the miter clamp knob. Make the cut as described above.

BEVEL CUTS

A bevel cut is a crosscut made with the saw blade at a bevel to the wood. In order to set the bevel, loosen the bevel clamp knob and move the left side of the fence to allow clearance). Once the desired bevel angle has been set, tighten the bevel clamp knob firmly.

FIG. 15



Bevel angles can be set from 3 degrees right to 48 degrees left and can be cut with the miter arm set between zero and 48 degrees right or left.

QUALITY OF CUT

The smoothness of any cut depends on a number of variables. Things like material being cut, blade type, blade sharpness and rate of cut all contribute to the quality of the cut.

When smoothest cuts are desired for molding and other precision work, a sharp (60 tooth carbide) blade and a slower, even cutting rate will produce the desired results.

Ensure that material does not creep while cutting, clamp it securely in place. Always let the blade come to a full stop before raising arm.

If small fibers of wood still split out at the rear of the workpiece, stick a piece of masking tape on the wood where the cut will be made. Saw through the tape and carefully remove tape when finished.

For varied cutting applications, refer to the list of recommended saw blades for your saw and select the one that best fits your needs (page 3).

BODY AND HAND POSITION (FIG. 16)

Proper positioning of your body and hands when operating the miter saw will make cutting easier, more accurate and safer. Never place hands near cutting area. Place hands no closer than 6" from the blade. Hold the workpiece tightly to the table and the fence when cutting. Keep hands in position until the trigger has been released and the blade has completely stopped. **ALWAYS MAKE DRY RUNS (UNPOWERED) BEFORE FINISH CUTS SO THAT YOU CAN CHECK THE PATH OF THE BLADE. DO NOT CROSS HANDS, AS SHOWN IN FIGURE 16.**

Keep both feet firmly on the floor and maintain proper balance. As you move the miter arm left and right, follow it and stand slightly to the side of the saw blade. Sight through the guard louvers when following a pencil line.

CLAMPING THE WORKPIECE

Turn Off and Unplug Saw

If you cannot secure the workpiece on the table and against the fence by hand, (irregular shape, etc.) or your hand would be less than 6" from the blade, a clamp or other fixture should be used.

For best results use the DW7052 clamp made for use with your saw. It is available through your local retailer or DEWALT service center at extra cost.

Other aids such as spring clamps, bar clamps or C-clamps may be appropriate for certain sizes and shapes of material. Use care in selecting and placing these clamps. Take time to make a dry run before making the cut. The left fence will slide from side to side to aid in clamping.

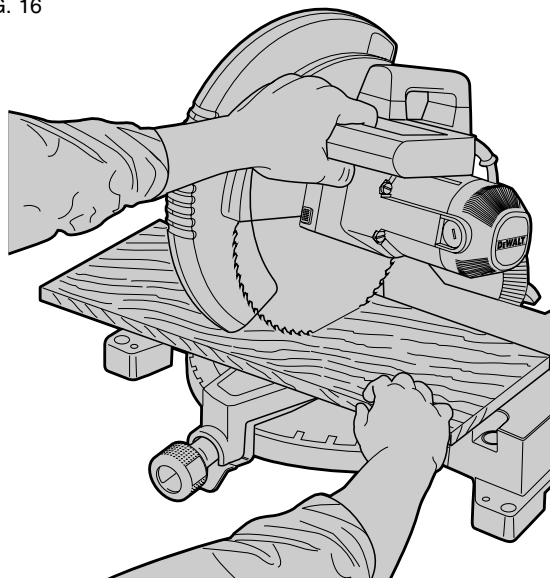
SUPPORT FOR LONG PIECES

Turn Off and Unplug Saw

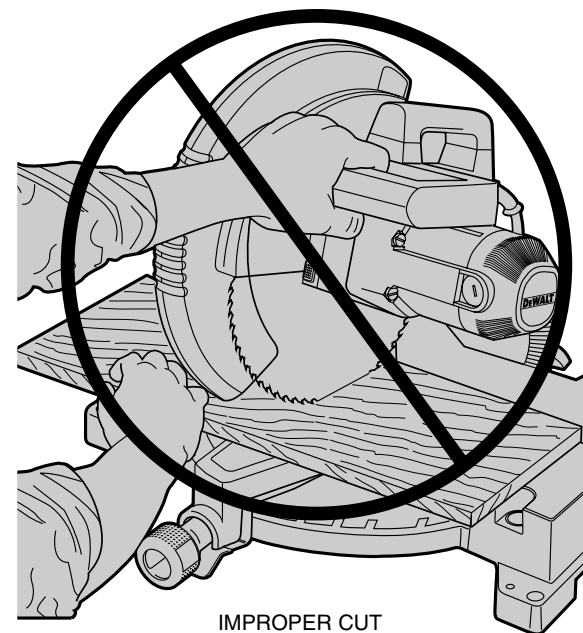
ALWAYS SUPPORT LONG PIECES

For best results, use the DW7050 extension work support to extend the table width of your saw. Available from your

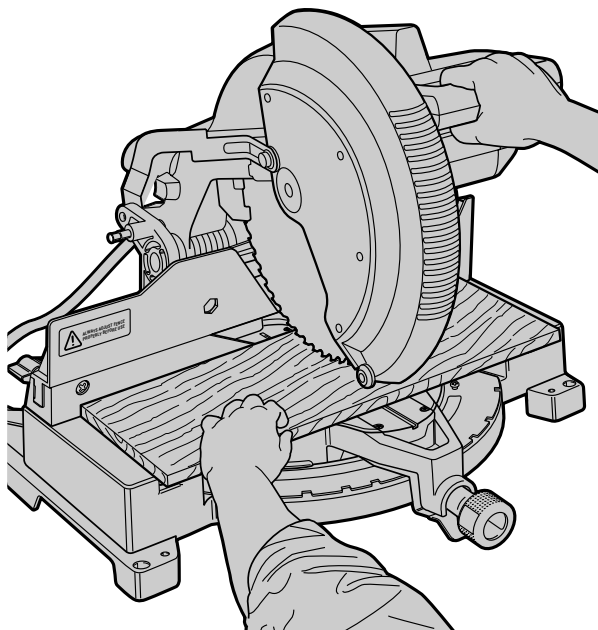
FIG. 16



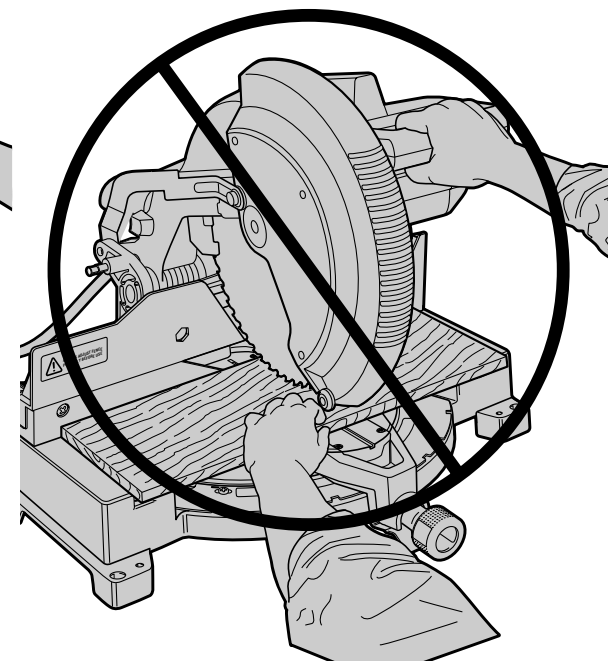
PROPER CUT



IMPROPER CUT



PROPER CUT



IMPROPER CUT

FIG. 17

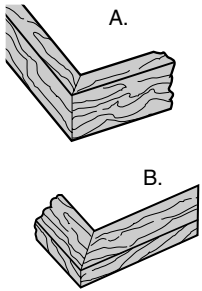


FIG. 18

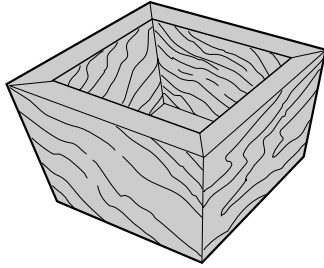


FIG. 19

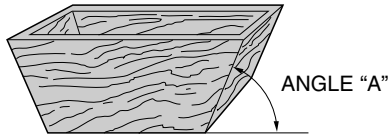


FIG. 20

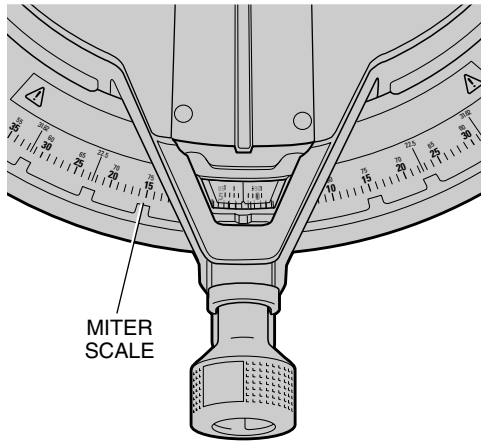
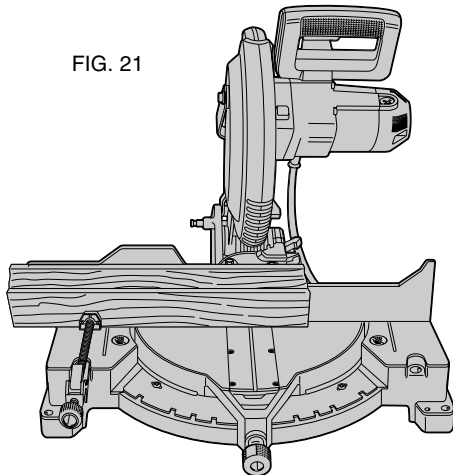


FIG. 21



dealer at extra cost. Support long workpieces using any convenient means such as sawhorses or similar devices to keep the ends from dropping.

CUTTING PICTURE FRAMES, SHADOW BOXES AND OTHER FOUR SIDED PROJECTS

To best understand how to make the items listed here, we suggest that you try a few simple projects using scrap wood until you develop a "FEEL" for your saw.

Your saw is the perfect tool for mitering corners like the one shown in Figure 17. Sketch A in Figure 17 shows a joint made by using the bevel adjustment to bevel the edges of the two boards at 45 degrees each to produce a 90 degree corner. For this joint the miter arm was locked in the zero position and the bevel adjustment was locked at 45 degrees. The wood was positioned with the broad flat side against the table and the narrow edge against the fence. The cut could also be made by mitering right and left with the broad surface against the fence.

CUTTING TRIM MOLDING AND OTHER FRAMES

Sketch B in Figure 17 shows a joint made by setting the miter arm at 45 degrees to miter the two boards to form a 90 degree corner. To make this type of joint, set the bevel adjustment to zero and the miter arm to 45 degrees. Once again, position the wood with the broad flat side on the table and the narrow edge against the fence.

The two sketches in Figure 17 are for four side objects only.

As the number of sides changes, so do the miter and bevel angles. The chart below gives the proper angles for a variety of shapes.

(The chart assumes that all sides are of equal length.) For a shape that is not shown in the chart, use the following formula. 180 degrees divided by the number of sides equals the miter or bevel angle.

- EXAMPLES -

NO. SIDES	ANGLE MITER OR BEVEL
4	45°
5	36°
6	30°
7	25.7°
8	22.5°
9	20°
10	18°

CUTTING COMPOUND MITERS

A compound miter is a cut made using a miter angle and a bevel angle at the same time. This is the type of cut used to make frames or boxes with slanting sides like the one shown in Figure 18.

NOTE: If the cutting angle varies from cut to cut, check that the bevel clamp knob and the miter lock knob are securely tightened. These knobs must be tightened after making any changes in bevel or miter.

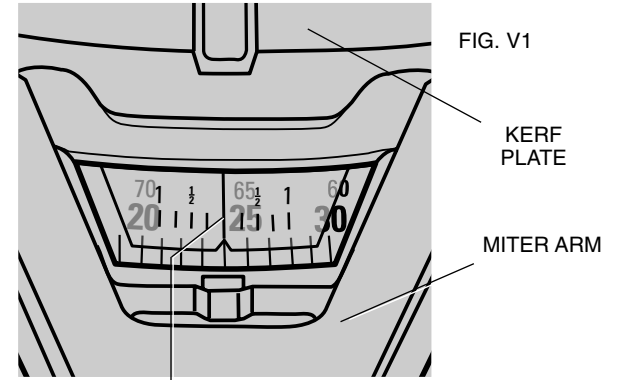


FIG. V1
KERF PLATE
MITER ARM
CENTER MARK ON VERNIER SCALE ALIGNS WITH DESIRED WHOLE ANGLE ON MITER SCALE (24° RIGHT MITER)

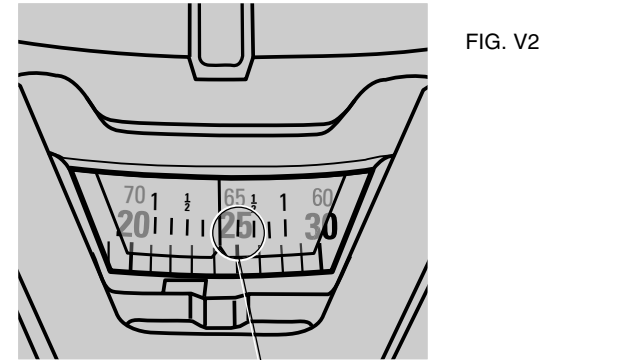
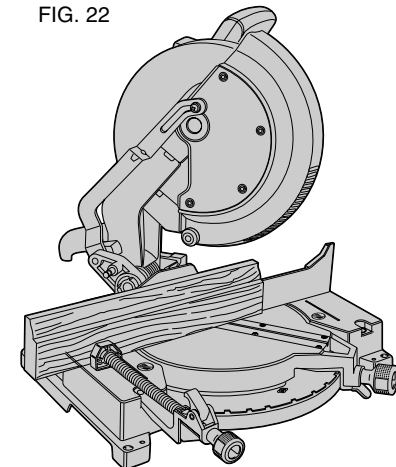


FIG. V2
1/4° VERNIER MARK ALIGNS WITH CLOSEST WHOLE DEGREE MARK ON MITER SCALE (24 1/4° RIGHT MITER)

FIG. 22



The chart shown on page 12 will assist you in selecting the proper bevel and miter settings for common compound miter cuts. To use the chart, select the desired angle "A" (Figure 19) of your project and locate that angle on the appropriate arc in the chart. From that point follow the chart straight down to find the correct bevel angle and straight across to find the correct miter angle.

Set your saw to the prescribed angles and make a few trial cuts. Practice fitting the cut pieces together until you develop a feel for this procedure and feel comfortable with it.

Example: To make a 4 sided box with 26° exterior angles (Angle A, Figure 19), use the upper right arc. Find 26° on the arc scale. Follow the horizontal intersecting line to either side to get miter angle setting on saw (42°). Likewise, follow the vertical intersecting line to the top or bottom to get the bevel angle setting on the saw (18°). Always try cuts on a few scrap pieces of wood to verify settings on saw.

DUAL RANGE MITER SCALE

The miter scale has two ranges of numbers for convenience, as shown in Figure 20. One scale indicates 0 degrees when the blade is square to the fence. At this position the other scale reads 90 degrees.

The 0 degree scale (larger numbers closer to the front edge) is used when calculating angles. To calculate the proper miter angle, divide 180 degrees by the number of sides of the box or frame. Refer to the chart on page 9 for some examples.

The 90 degree scale (smaller numbers behind the zero degree scale) is used when a corner of your box or frame is measured with a protractor. For example: if you measure the corner of an 8 sided box, the protractor will read 135 degrees. To determine the proper miter setting, divide the measured angle by two. The proper miter setting in this example is 67-1/2 degrees. Set this angle on the 90 degree scale. This is most useful when a corner is at an odd angle.

VERNIER SCALE (FIG. V1, V2)

Your saw is equipped with a vernier scale for added precision. The vernier scale allows you to accurately set miter angles to the nearest 1/4 degree (15 minutes). To use the vernier scale follow the steps listed below.

(As an example, let's assume that the angle you want to miter is 24 1/4 degree right).

1. Turn off miter saw.
2. Set the miter angle to the nearest whole degree desired by aligning the center mark in the vernier scale, shown in Figure V1, with the whole degree number etched in the miter scale. Examine Figure V2 closely; the setting shown is 24 degrees right miter.
3. To set the additional 1/4 degree, squeeze the miter arm lock and carefully move the arm to the RIGHT until the 1/4 degree vernier mark aligns with the CLOSEST degree mark on the miter scale. In our example, the closest degree mark on the miter scale happens to be

FIG. 23

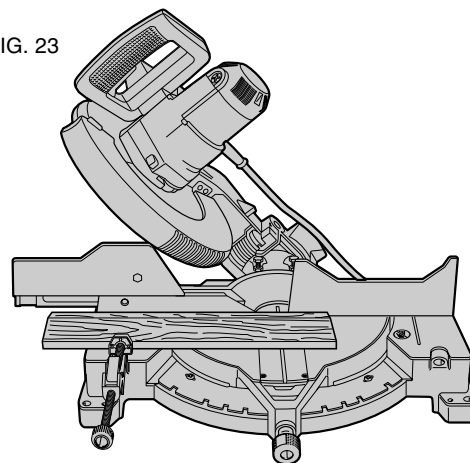


FIG. 24

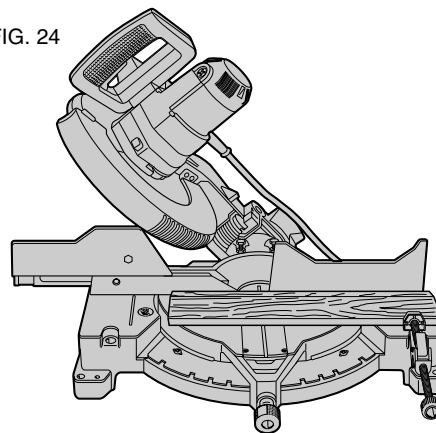
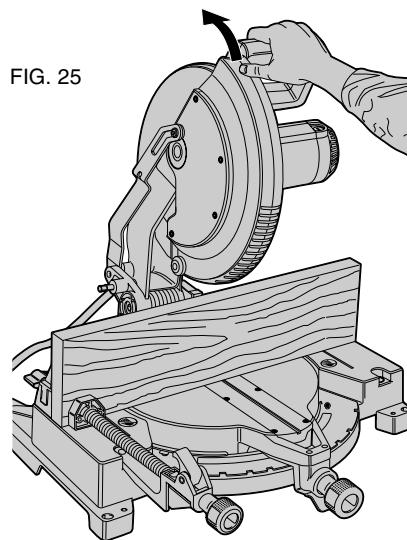


FIG. 25



25 degrees. Figure V2 shows a setting of 24-1/4 degrees right miter.

For settings that require partial degrees (1/4, 1/2, 3/4 degrees) align the desired vernier mark with the CLOSEST degree mark on the miter scale, as described below (The plastic vernier plate is inscribed with marks for 1/4, 1/2, 3/4 and 1 degrees. Only the 1/2 degree and the 1 degree are numerically labeled.)

WHEN MITERING TO THE RIGHT

To increase the miter angle when mitering to the right, move the arm to align the appropriate vernier mark with the closest mark on the miter scale to the right. To decrease the miter angle when mitering to the right, move the arm to align the appropriate vernier mark with the closest mark on the miter scale to the left.

WHEN MITERING TO THE LEFT

To increase the miter angle when mitering to the left, move the arm to align the appropriate vernier mark with the closest mark on the miter scale to the left. To decrease the miter angle when mitering to the left, move the arm to align the appropriate vernier mark with the closest mark on the miter scale to the right.

CUTTING BASE MOLDING

ALWAYS MAKE A DRY RUN WITHOUT POWER BEFORE MAKING ANY CUTS.

Straight 90 degree cuts :

Position the wood against the fence and clamp it in place as shown in Figure 21. Turn on the saw, allow the blade to reach full speed and lower the arm smoothly through the cut.

CUTTING BASE MOLDING UP TO 3-7/8" HIGH VERTICALLY AGAINST THE FENCE

- Position molding as shown in Figure 22
- All cuts made with the back of the molding against the fence and bottom of the molding against the base

INSIDE CORNER:

Left side

1. Miter left 45°
2. Save left side of cut

Right side

1. Miter Right 45°
2. Save right side of cut

OUTSIDE CORNER:

Left side

1. Miter right at 45°
2. Save left side of cut

Right side

1. Miter left at 45°
2. Save right side of cut

Material up to 3.9" (3-7/8)" can be cut as described above. For wider boards [up to 5.5" (5-1/2")] several minor concessions must be made.

When cutting a board between 3.9" (3-7/8") and 5.5" (5-1/2") in width the roller on the tip of the guard will hang up on the workpiece. If this occurs, simply place your right thumb on the upper side of the guard and roll the guard up just enough to clear the workpiece, as shown in Figure 25. Once you have cleared the workpiece, you can release the guard and it will continue to open as the cut progresses. When mitering to the right side of a base molding wider than 3.9" (3-7/8") standing vertically against the fence as in Figure 22, the saw can only cut through the board up to 1 inch from the end of the board. Trying to cut more than an inch will cause the saw's gear case to interfere with the workpiece. If you want to cut base molding between 3-7/8" and 5-1/2" wide vertically follow the directions on this page.

CUTTING 3-7/8" – 5-1/2" BASE MOLDING VERTICALLY AGAINST THE FENCE

- Position molding as shown in Figure 22
- All cuts made with the back of the molding against the fence

INSIDE CORNER:

Left side

1. Position molding with bottom of molding against the base of the saw
2. Miter left 45°
3. Save left side of cut

Right side

1. Position molding with top of the molding resting on the base of the saw
2. Miter left 45°
3. Save left side of cut

OUTSIDE CORNER:

Left side

1. Position molding with bottom of molding against the base of the saw
 2. Miter right 45°
 3. Save left side of cut
- Note: If the cut must be made somewhere other than 1" from the end of the molding: cut off the molding at 90° approx. 1" longer than your final length then make the miter cut as described above.

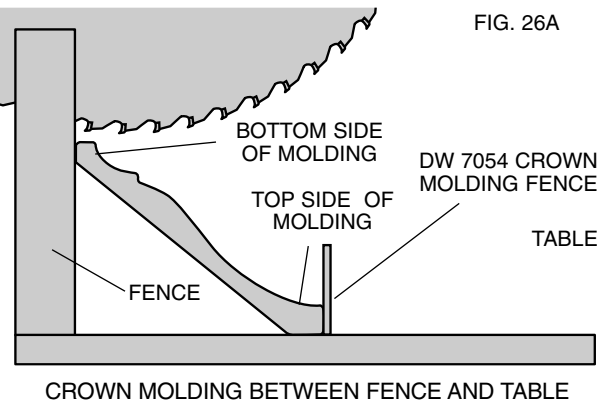
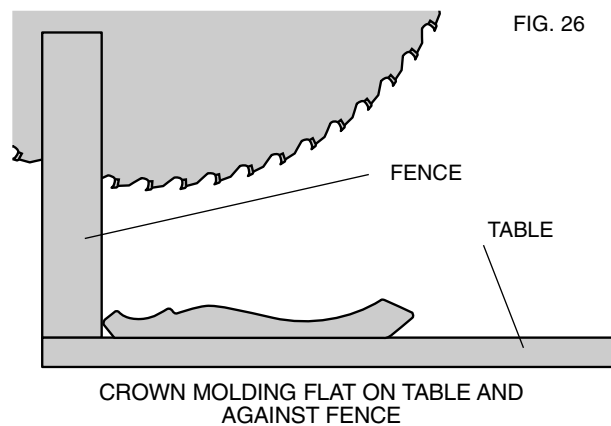
Right side

1. Position molding with bottom of the molding against the base of the saw
2. Miter left 45°
3. Save the right side of cut

A THIRD METHOD OF MAKING THE CUT NECESSARY IS TO MAKE A ZERO DEGREE MITER, 45 DEGREE BEVEL CUT. YOUR SAW CAN CUT A BEVEL 7-7/8" WIDE.

CUTTING BASE MOLDING LAYING FLAT AND USING THE BEVEL FEATURE

- All cuts made with the saw set at 45° bevel and 0 miter.



- All cuts made with back of molding laying flat on the saw as shown in figures 23 and 24.

INSIDE CORNER:

Left side

1. Position molding with top of molding against the fence
2. Save left side of cut

Right side

1. Position molding with bottom of the molding against the fence
2. Save left side of cut

OUTSIDE CORNER:

Left side

1. Position molding with bottom of the molding against the fence
2. Save right side of cut

Right side

1. Position molding with top of molding against the fence
2. Save right side of cut

FIG. 27

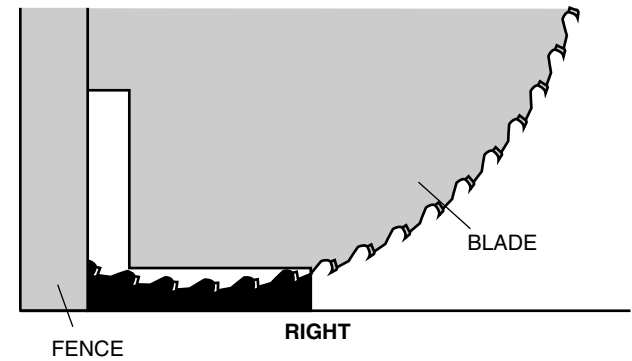
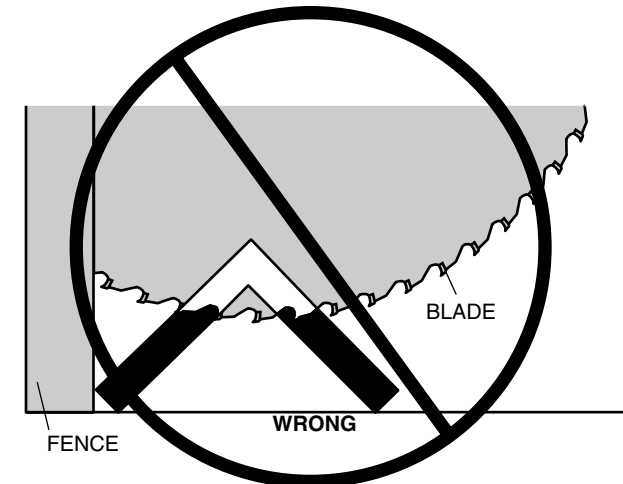


FIG. 28



CUTTING CROWN MOLDING

Your miter saw is better suited to the task of cutting crown molding than any tool made. In order to fit properly, crown molding must be compound mitered with extreme accuracy.

The two flat surfaces on a given piece of crown molding are at angles that, when added together, equal exactly 90 degrees. Most, but not all, crown molding has a top rear angle (the section that fits flat against the ceiling) of 52 degrees and a bottom rear angle (the part that fits flat against the wall) of 38 degrees.

Your miter saw has special pre-set miter latch points at 31.62 degrees left and right for cutting crown molding at the proper angle. There is also a mark on the Bevel scale at 33.85 degrees.

The chart on this page gives the proper settings for cutting crown molding. (The numbers for the miter and bevel settings are very precise and are not easy to accurately set on your saw.) Since most rooms do not have angles of precisely 90 degrees, you will have to fine tune your settings anyway.

PRETESTING WITH SCRAP MATERIAL IS EXTREMELY IMPORTANT!

INSTRUCTIONS FOR CUTTING CROWN MOLDING LAYING FLAT AND USING THE COMPOUND FEATURES

1. Molding laying with broad back surface down flat on saw table (Fig. 26).
2. The settings below are for All Standard (U.S.) crown molding with 52° and 38° angles.

BEVEL SETTING	TYPE OF CUT
33.85°	LEFT SIDE, INSIDE CORNER: 1. Top of molding against fence 2. Miter table set right 31.62° 3. Save left end of cut
33.85°	RIGHT SIDE, INSIDE CORNER: 1. Bottom of molding against fence 2. Miter table set left 31.62° 3. Save left end of cut
33.85°	LEFT SIDE, OUTSIDE CORNER: 1. Bottom of molding against fence 2. Miter table set left 31.62° 3. Save right end of cut
33.85°	RIGHT SIDE, OUTSIDE CORNER: 1. Top of molding against fence 2. Miter table set right 31.62° 3. Save right end of cut

When setting bevel and miter angles for all compound miters, remember that:

The angles presented for crown moldings are very precise and difficult to set exactly. Since they can easily shift slightly and very few rooms have exactly square corners, all settings should be tested on scrap molding.

PRETESTING WITH SCRAP MATERIAL IS EXTREMELY IMPORTANT!

ALTERNATIVE METHOD FOR CUTTING CROWN MOLDING

Place the molding on the table at an angle between the fence and the saw table, as shown in Figure 26A. Use of the crown molding fence accessory (DW7054) is highly recommended because of its degree of accuracy and convenience. The crown molding fence accessory is available at extra cost from your local dealer.

The advantage to cutting crown molding using this method is that no bevel cut is required. Minute changes in the miter

FIG. 29

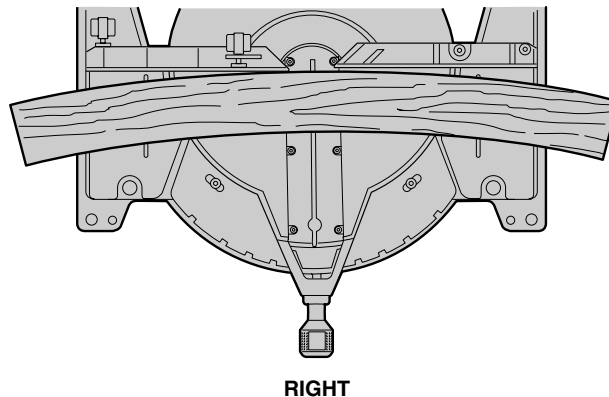
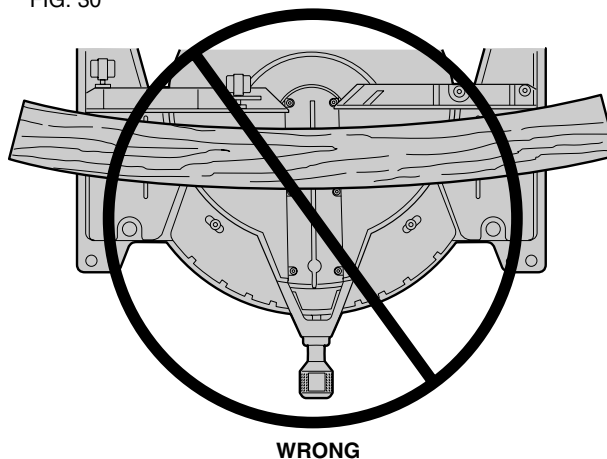


FIG. 30



angle can be made without affecting the bevel angle. This way, when corners other than 90 degrees are encountered, the saw can be quickly and easily adjusted for them. Use the crown molding fence accessory to maintain the angle at which the molding will be on the wall.

INSTRUCTIONS FOR CUTTING CROWN MOLDING ANGLED BETWEEN THE FENCE AND BASE OF THE SAW FOR ALL CUTS

1. Angle the molding so the bottom of the molding (part which goes against the wall when installed) is against the fence and the top of the molding is resting on the base of the saw, as shown in Figure 26A.
2. The angled "flats" on the back of the molding must rest squarely on the fence and base of the saw.

INSIDE CORNER:

Left side

1. Miter right at 45°
2. Save the right side of cut

Right side

1. Miter left at 45°
2. Save left side of cut

OUTSIDE CORNER:

Left side

1. Miter left at 45°
2. Save right side of cut

Right side

1. Miter right at 45°
2. Save left side of cut

Special Cuts

NEVER MAKE ANY CUT UNLESS THE MATERIAL IS SECURED ON THE TABLE AND AGAINST THE FENCE.

Aluminum Cutting:

Certain workpieces, due to their size, shape or surface finish, may require the use of a clamp or fixture to prevent movement during the cut. Position the material so that you will be cutting the thinnest cross section, as shown in Figure 27. Figure 28 illustrates the wrong way to cut these extrusions. Use a stick wax lubricant when cutting aluminum. Apply the stick wax directly to the saw blade before cutting. Never apply stick wax to a moving blade.

The wax, available at most hardware stores and industrial mill supply houses, provides proper lubrication and keeps chips from adhering to the blade.

Be sure to properly secure workpiece. Refer to page 3 for correct saw blade,

Bowed Material:

When cutting bowed material always position it as shown in Figure 29 and never like that shown in Figure 30. Positioning the material incorrectly will cause it to pinch the blade near the completion of the cut.

Cutting Plastic Pipe or Other Round Material

Plastic pipe can be easily cut with your saw. It should be cut just like wood and **CLAMPED OR HELD FIRMLY TO THE FENCE TO KEEP IT FROM ROLLING**. This is extremely important when making angle cuts.

Cutting Large Material

Occasionally you will encounter a piece of wood a little too large to fit beneath the blade guard. A little extra height can be gained by rolling the guard up out of the way, as shown in Figure 25. Avoid doing this as much as possible, but if need be, the saw will operate properly and make the bigger cut. **NEVER TIE, TAPE, OR OTHERWISE HOLD THE GUARD OPEN WHEN OPERATING THIS SAW.**

Maintenance

1. All bearings are sealed. They are lubricated for life and need no further maintenance.
2. Periodically clean all dust and wood chips from around AND UNDER the base and the rotary table. Even though slots are provided to allow debris to pass through, some dust will accumulate.
3. The brushes are designed to give you several years of use. If they ever need replacement follow the instructions on page 7 or return the tool to the nearest service center for repair. Service center locations are packed with your tool.

Repairs

To assure product SAFETY and RELIABILITY, repairs, maintenance and adjustment (including brush inspection and replacement) should be performed by authorized service centers or other qualified service organizations, always using identical replacement parts.

Three Year Limited Warranty

DEWALT will repair, without charge, any defects due to faulty materials or workmanship for three years from the date of purchase. This warranty does not cover part failure due to normal wear or tool abuse. For further detail of warranty coverage and warranty repair information, visit www.dewalt.com or call 1-800-4-DEWALT (1-800-433-9258). This warranty does not apply to accessories or damage caused where repairs have been made or attempted by others. This warranty gives you specific legal rights and you may have other rights which vary in certain states or provinces.

In addition to the warranty, DEWALT tools are covered by our:

1 YEAR FREE SERVICE

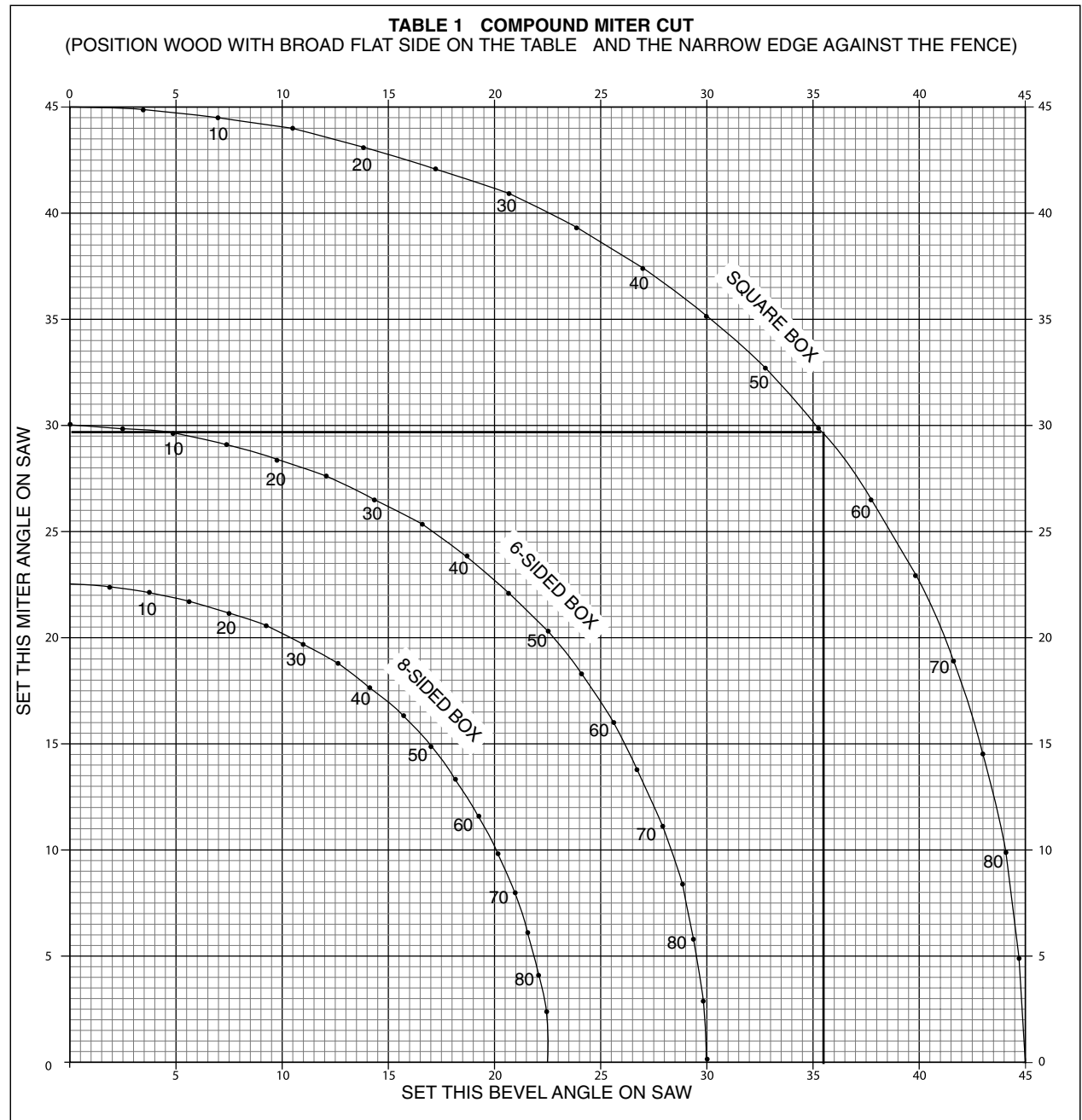
DEWALT will maintain the tool and replace worn parts caused by normal use, for free, any time during the first year after purchase.

90 DAY MONEY BACK GUARANTEE

If you are not completely satisfied with the performance of your DEWALT Power Tool, Laser, or Nailer for any reason, you can return it within 90 days from the date of purchase with a receipt for a full refund – no questions asked.

RECONDITIONED PRODUCT: Reconditioned product is covered under the 1 Year Free Service Warranty. The 90 Day Money Back Guarantee and the Three Year Limited Warranty do not apply to reconditioned product.

FREE WARNING LABEL REPLACEMENT: If your warning labels become illegible or are missing, call 1-800-4-DEWALT for a free replacement.



Troubleshooting Guide

BE SURE TO FOLLOW SAFETY RULES AND INSTRUCTIONS

TROUBLE! SAW WILL NOT START

WHAT'S WRONG?

1. Saw not plugged in
2. Fuse blown or circuit breaker tripped
3. Cord damaged
4. Brushes worn out

WHAT TO DO...

1. Plug in saw.
2. Replace fuse or reset circuit breaker
3. Have cord replaced by authorized service center
4. Have brushes replaced by authorized service center or replace them yourself as instructed on page 7.

TROUBLE! SAW MAKES UNSATISFACTORY CUTS

WHAT'S WRONG?

1. Dull blade
2. Blade mounted backwards
3. Gum or pitch on blade
4. Incorrect blade for work being done

WHAT TO DO...

1. Replace blade. See page 4 .
2. Turn blade around. See page 4.
3. Remove blade and clean with turpentine and coarse steel wool or household oven cleaner.
4. Change the blade type. See page 3.

TROUBLE! BLADE DOES NOT COME UP TO SPEED

WHAT'S WRONG?

1. Extension cord too light or too long
2. Low house current

WHAT TO DO...

1. Replace with adequate size cord. See page 1.
2. Contact your electric company

TROUBLE! MACHINE VIBRATES EXCESSIVELY

WHAT'S WRONG?

1. Saw not mounted securely to stand or work bench
2. Stand or bench on uneven floor
3. Damaged saw blade

WHAT TO DO...

1. Tighten all mounting hardware. See page 4.
2. Reposition on flat level surface. See page 4.
3. Replace blade. See page 4 .

TROUBLE! DOES NOT MAKE ACCURATE MITER CUTS

WHAT'S WRONG?

1. Miter scale not adjusted correctly
2. Blade is not square to fence
3. Blade is not perpendicular to table
4. Workpiece moving

WHAT TO DO...

1. Check and adjust. See page 5.
2. Check and adjust. See page 6.
3. Check and adjust fence. See page 6.
4. Clamp workpiece to fence or glue 120 grit sandpaper to fence with rubber cement.

TROUBLE! MATERIAL PINCHES BLADE

WHAT'S WRONG?

1. Cutting bowed material

WHAT TO DO...

1. Position bowed material as shown on page 12.

Table des matières

MESURES DE SÉCURITÉ	16	FONCTIONNEMENT	23
INSTRUCTIONS RELATIVES À LA DOUBLE ISOLATION ET AUX FICHES POLARISÉES	16	INTERRUPTEUR	23
MESURES DE SÉCURITÉ ADDITIONNELLES	17	COUPE	23
CONNEXION ÉLECTRIQUE.....	18	COUPES EN TRAVERS.....	23
DÉBALLAGE	18	COUPES EN BISEAU.....	24
FAMILIARISATION	18	QUALITÉ DE LA COUPE	24
FICHE TECHNIQUE	19	POSITION DU CORPS ET DES MAINS.....	24
ACCESSOIRES FACULTATIFS	19	FIXATION DE LA PIÈCE À OUVRER.....	25
ACCESSOIRES	20	SOUTIEN DE GRANDES PIÈCES	25
MONTAGE SUR ÉTABLI.....	20	CADRES, BOÎTES VIDES	25
INSTALLATION DE LA LAME	20	ET AUTRES PROJETS À QUATRE CÔTÉS	25
RALLONGE DE PLATEAU LATÉRALE (certains modèles seulement)	21	MOULURES ET AUTRES CADRES.....	25
RÉGLAGE DU PROTECTEUR INFÉRIEUR ARRIÈRE	21	ONGLETS MIXTES.....	25
TRANSPORT DE LA SCIE	21	ÉCHELLE POUR ONGLETS À DOUBLE PORTÉE	25
RÉGLAGES.....	21	ÉCHELLE DU VERNIER.....	26
RÉGLAGE DE L'ÉCHELLE POUR ONGLETS	22	MOULURES DE BASE	27
RÉGLAGE DE L'INDICATEUR D'ONGLETS.....	22	CORNICHES.....	28
INDICATEUR DE BISEAU	22	COUPES PARTICULIÈRES	28
RÉGLAGE DES BUTÉES POUR BISEAUX	22	TABLEAU 1: ONGLETS MIXTES	29
RÉGLAGE DU GUIDE	23	ENTRETIEN	30
FONCTIONNEMENT DU PROTECTEUR ET VISIBILITÉ.....	23	GUIDE DE DÉPANNAGE	30
BALAIS	23	GARANTIE	31

POUR TOUTE QUESTION OU REMARQUE AU SUJET DE CET OUTIL OU DE TOUT AUTRE OUTIL DeWALT, COMPOSER LE NUMÉRO SANS FRAIS :

1 800 4-DeWALT (1 800 433-9258)

Importantes mesures de sécurité



AVERTISSEMENT : Afin de réduire les risques d'incendie, de secousses électriques ou de blessures lorsqu'on utilise des outils électriques, il faut toujours respecter les mesures de sécurité suivantes.

LIRE TOUTES LES DIRECTIVES

Double isolation

Les outils à double isolation comportent deux couches distinctes d'isolant électrique ou une double épaisseur d'isolant qui protègent l'utilisateur contre les risques de blessures provenant du système électrique de l'outil.

Ce système de double isolation élimine le besoin de mettre les outils à la terre. En effet, l'outil est muni d'une fiche à deux broches, ce qui permet d'utiliser une rallonge ordinaire sans avoir à se soucier d'assurer la mise à la terre.

NOTE : La double isolation ne dispense pas des mesures de sécurité normales lors de l'utilisation de l'outil. Elle vise à procurer une protection supplémentaire contre les blessures que peut entraîner une défectuosité de l'isolant électrique à l'intérieur de l'outil.

MISE EN GARDE : Lors de l'entretien, n'utiliser que des pièces de rechange identiques. Réparer ou remplacer les cordons endommagés.

Fiche polarisée

Afin de réduire les risques de secousses électriques, l'outil est muni d'une fiche polarisée (une lame plus large que l'autre). Ce genre de fiche n'entre que d'une façon dans une prise polarisée. Lorsqu'on ne peut insérer la fiche à fond dans la prise, il faut tenter de le faire après avoir inversé les lames de côté. Si la fiche n'entre toujours pas dans la prise, il faut communiquer avec un électricien certifié afin qu'il installe une prise appropriée. Il ne faut en aucun cas modifier la fiche.

Importantes mesures de sécurité (pour tous les outils)

- **BIEN DÉGAGER LA SURFACE DE TRAVAIL.** Des surfaces et des établis encombrés peuvent être la cause de blessures.
- **TENIR COMPTE DU MILIEU DE TRAVAIL.** Protéger les outils électriques de la pluie. Ne pas s'en servir dans des endroits humides ou mouillés. Bien éclairer la surface de travail.
- **SE PROTÉGER CONTRE LES SECOUSSES ÉLECTRIQUES.** Éviter tout contact avec des objets mis à la terre, comme des tuyaux, radiateurs, cuisinières, réfrigérateurs et autres objets du genre.
- **ÉLOIGNER LES ENFANTS.** Tous les visiteurs doivent être tenus à l'écart de l'aire de travail et il faut les empêcher de toucher à l'outil ou au cordon de rallonge.
- **RANGER LES OUTILS INUTILISÉS.** Il faut ranger les outils dans un endroit sec, situé en hauteur ou fermé à clé, hors de la portée des enfants.
- **NE JAMAIS FORCER L'OUTIL.** Afin d'obtenir un rendement sûr et efficace, utiliser l'outil à son rendement nominal.
- **UTILISER L'OUTIL APPROPRIÉ.** Ne jamais exiger d'un petit outil ou d'un accessoire le rendement d'un outil de fabrication plus robuste. Se servir de l'outil selon l'usage prévu (ainsi, ne pas se servir d'une scie circulaire pour couper des branches ou des bûches).
- **PORTER DES VÊTEMENTS APPROPRIÉS.** Éviter de porter des vêtements amples et des bijoux qui peuvent être happés par les pièces en mouvement. Porter des gants de caoutchouc et des chaussures à semelle antidérapante pour travailler à l'extérieur. Protéger la chevelure si elle est longue.

- **PORTER DES LUNETTES DE SÉCURITÉ.** Porter également un masque respiratoire si le travail de coupe produit de la poussière.
- **MANIPULER LE CORDON AVEC SOIN.** Ne pas transporter l'outil par le cordon ni tirer sur ce dernier pour le débrancher de la prise. Éloigner le cordon des sources de chaleur, des flammes d'huile et des arêtes tranchantes.
- **ASSUJETTIR LA PIÈCE.** Immobiliser la pièce à l'aide de brides ou d'un étau. On peut alors se servir des deux mains pour faire fonctionner l'outil, ce qui est plus sûr.
- **NE PAS DÉPASSER SA PORTÉE.** Toujours demeurer dans une position stable et garder son équilibre.
- **PRENDRE SOIN DES OUTILS.** Conserver les outils propres et affûtés pour qu'ils donnent un rendement supérieur et sûr. Suivre les directives concernant la lubrification et le remplacement des accessoires. Inspecter régulièrement le cordon de l'outil et le faire réparer au besoin à un atelier d'entretien autorisé. Inspecter régulièrement les cordons de rallonge et les remplacer lorsqu'ils sont endommagés. S'assurer que les poignées sont toujours propres, sèches et libres de toute tache d'huile ou de graisse.
- **DÉBRANCHER OU VERROUILLER EN POSITION HORS TENSION LES OUTILS NON UTILISÉS.** Respecter cette mesure lorsqu'on ne se sert pas de l'outil, ou qu'on doit le réparer ou en changer un accessoire (comme une lame, un foret ou un couteau).
- **ENLEVER LES CLÉS DE RÉGLAGE.** Prendre l'habitude de vérifier si les clés de réglage ont été retirées avant de faire démarrer l'outil.
- **ÉVITER LES DÉMARRAGES ACCIDENTELS.** Ne pas laisser le doigt sur l'interrupteur lorsqu'on transporte l'outil. S'assurer que l'interrupteur est à la position hors circuit lorsqu'on branche l'outil.
- **CORDONS DE RALLONGE.** S'assurer que le cordon de rallonge est en bon état. Lorsqu'on se sert d'un cordon de rallonge, s'assurer qu'il est de calibre approprié pour la tension nécessaire au fonctionnement de l'outil. L'utilisation d'un cordon de calibre inférieur occasionne une baisse de tension entraînant une perte de puissance et la surchauffe. Le tableau suivant indique le calibre approprié selon la longueur du cordon et les mentions de la plaque signalétique de l'outil. En cas de doute, utiliser un cordon de calibre supérieur. Le chiffre indiquant le calibre est inversement proportionnel au calibre du cordon.

Tension	Calibre minimal des cordons de rallonge			
	Longueur totale du cordon en pieds			
120 V	0-25	26-50	51-100	101-150
240 V	0-50	51-100	101-200	201-300
Intensité (A)		Calibre moyen de fil (AWG)		
Au moins	Au plus			
0	6	18	16	14
6	10	18	16	14
10	12	16	16	14
12	16	14	12	Non recommandé

- **DEMEURER VIGILANT.** Travailler avec vigilance et faire preuve de bon sens. Ne pas se servir de l'outil lorsqu'on est fatigué.
- **CORDONS DE RALLONGE PRÉVUS POUR L'EXTÉRIEUR.** Lorsque l'outil est utilisé à l'extérieur, ne se servir que d'un cordon de rallonge conçu pour l'extérieur et portant la mention appropriée.
- **VÉRIFIER LES PIÈCES ENDOMMAGÉES.** Avant de continuer à utiliser l'outil, il faut vérifier si le protecteur ou toute autre pièce endommagée remplit bien la fonction pour laquelle il a été prévu. Vérifier l'alignement et les attaches des pièces mobiles, le degré d'usure des pièces et leur montage, ainsi que tout autre facteur susceptible de nuire au bon fonctionnement de l'outil. Faire réparer ou remplacer toute pièce ou tout protecteur endommagé dans un centre de service autorisé, sauf si le présent guide fait mention d'un avis contraire. Confier le remplacement de tout interrupteur défectueux à un centre de service autorisé. Ne jamais se servir d'un outil dont l'interrupteur est défectueux.
- **NE PAS UTILISER les outils portatifs électriques dans des endroits où l'atmosphère contient des vapeurs combustibles ou explosives.** Les étincelles que produit le moteur en marche pourraient enflammer ces produits.

Mesures de sécurité additionnelles relatives aux scies à onglets

▲ **MISE EN GARDE** : Il est fortement recommandé de se conformer aux mesures suivantes au risque de se blesser ou d'endommager la scie.

- Protéger le circuit électrique avec un fusible à action différée ou un disjoncteur d'au moins 15 ampères.
- S'assurer que la lame tourne dans le bon sens et que les dents du bas de la lame pointent vers l'arrière de la scie à onglets.
- Vérifier si tous les boutons de serrage de la scie à onglets sont bien fixés avant de commencer à se servir de la scie.
- S'assurer que les rondelles de la lame et de l'arbre sont propres et que le côté en retrait des collets repose contre la lame. Bien serrer l'écrou de l'arbre.
- Veiller à ce que la lame soit bien affûtée et réglée.
- S'assurer que les orifices de ventilation du moteur sont propres et libres de copeaux.
- Utiliser en tout temps les protecteurs de la lame.
- Éloigner les mains du tracé de la lame.
- Mettre la scie hors tension, débrancher le cordon d'alimentation et attendre l'immobilisation complète de la lame avant d'entretenir ou de régler l'outil.
- Soutenir les grandes pièces à découper à l'aide de chevalets.
- Ne pas essayer de faire fonctionner l'outil à une tension autre que la tension nominale.
- Ne pas faire fonctionner la scie à onglets si les boutons de serrage ne sont pas bien fixés.
- Ne pas utiliser de lame dont le diamètre est inférieur ou supérieur à celui recommandé.
- Ne rien coincer dans le ventilateur pour soutenir l'arbre du moteur.
- Ne pas forcer la coupe. (Le blocage partiel ou complet du moteur peut causer des dommages irréparables. Laisser le moteur atteindre son régime nominal avant de commencer à couper.)
- Ne pas couper des métaux ferreux (ceux qui renferment du fer ou de l'acier) ni de la maçonnerie.
- Ne pas utiliser des meules abrasives. La chaleur excessive et les particules abrasives dégagées abîmeraient la scie.
- Ne permettre à personne de rester derrière la scie.
- Ne pas lubrifier la lame lorsqu'elle tourne.
- Ne pas mettre ses mains près de la lame lorsque la scie est branchée.
- Ne pas se servir de lames conçues pour fonctionner à un régime inférieur à 4 800 trs/min.
- Ne pas essayer de découper de petites pièces (152,4 mm - 6 po) non fixées.
- Ne pas se servir de la scie à onglets sans les protecteurs.
- Ne pas utiliser la scie à main levée.
- Ne pas placer les mains près de la lame ni derrière celle-ci.
- Ne pas placer les mains à moins de 152,4 mm (6 po) de la lame.
- Ne pas placer les mains sous la scie sauf si celle-ci est hors tension et débranchée. La lame est à découvert du côté inférieur de la scie.
- Ne pas déplacer les mains de la scie ni de la pièce à découper et ne pas soulever les bras avant l'immobilisation complète de la lame.
- Ne pas se servir de la scie à onglets sans la plaque rainurée ou lorsque la rainure de la plaque a une largeur de plus de 5 mm (3/8 po).

▲ **AVERTISSEMENT!** Porter des lunettes de sécurité ou autre dispositif de protection oculaire car le martelage peut faire projeter des particules et entraîner des dommages irréversibles aux yeux.

▲ **AVERTISSEMENT** : Certains outils, tels que les sableuses électriques, les scies, les meules, les perceuses ou certains autres outils de construction, peuvent soulever de la

poussière contenant des produits chimiques susceptibles d'entraîner le cancer, des malformations congénitales ou pouvant être nocifs pour le système reproductif. Parmi ces produits chimiques, on retrouve :

- le plomb dans les peintures à base de plomb;
- la silice cristalline dans les briques et le ciment et autres produits de maçonnerie;
- l'arsenic et le chrome dans le bois de sciage ayant subi un traitement chimique (CCA).

Le risque associé à de telles expositions peut varier selon la fréquence avec laquelle on effectue ces travaux. Pour réduire l'exposition à de tels produits, il faut travailler dans un endroit bien ventilé et utiliser l'équipement de sécurité approprié tel un masque anti-poussières spécialement conçu pour filtrer les particules microscopiques.

- **Éviter tout contact prolongé avec la poussière soulevée par cet outil ou autres outils électriques. Porter des vêtements de protection et nettoyer les parties exposées du corps avec de l'eau savonneuse.** S'assurer de bien se protéger afin d'éviter d'absorber par la bouche, les yeux ou la peau des produits chimiques nocifs.

▲ **AVERTISSEMENT** : Cet outil peut produire et répandre de la poussière susceptible de causer des dommages sérieux et permanents au système respiratoire. Toujours utiliser un appareil respiratoire anti-poussières approuvé par le NIOSH ou l'OSHA. Diriger les particules dans le sens opposé du visage et du corps.

À titre de commodité et de sécurité, les étiquettes suivantes se trouvent sur la scie à onglets.

SUR LE CARTER DU MOTEUR:

▲ **AVERTISSEMENT** : AFIN DE TRAVAILLER EN TOUTE SÉCURITÉ, LIRE ATTENTIVEMENT LE MANUEL D'UTILISATION AVANT D'UTILISER LA SCIE.

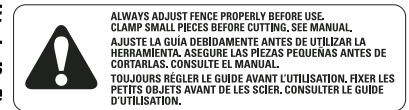
LORS DE L'ENTRETIEN, N'UTILISER QUE DES PIÈCES DE RECHANGE IDENTIQUES.

TOUJOURS PORTER DES LUNETTES DE PROTECTION.

NE PAS EXPOSER À LA PLUIE NI UTILISER DANS DES ENDROITS HUMIDES.

SUR LE GUIDE MOBILE:

TOUJOURS BIEN RÉGLER LE GUIDE AVANT D'UTILISER LA SCIE. Fixer solidement les ouvrages de petites dimensions avant de procéder à la coupe. Consulter le manuel.



ALWAYS ADJUST FENCE PROPERLY BEFORE USE. CLAMP SMALL PIECES BEFORE CUTTING. SEE MANUAL. AJUSTE LA GUIA DEBIDAMENTE ANTES DE UTILIZAR LA HERRAMIENTA. ASEGURE LAS PIEZAS PEQUEÑAS ANTES DE CORTARLAS. CONSULTE EL MANUAL. TOUJOURS RÉGLER LE GUIDE AVANT L'UTILISATION. FIXER LES PETITS OBJETS AVANT DE LES SCIER. CONSULTER LE GUIDE D'UTILISATION.

SUR LE PROTÈGE-LAME: SE TENIR LOIN DE LA LAME.

SUR LA PLAQUE DE RETENUE DU DISPOSITIF DE PROTECTION:

TOUJOURS SERRER FERMEMENT LA FERRURE AU MOYEN DES DEUX VIS AVANT D'UTILISER L'OUTIL.

SUR LA PLAQUE À CRANS (2 ENDROITS):

TOUJOURS SERRER SOLIDEMENT LES BOUTONS DE RÉGLAGE AVANT D'UTILISER L'OUTIL. GARDER LES MAINS À AU MOINS 15 CM (6 PO) DU TRAJET DE LA LAME.

NE JAMAIS EFFECTUER DE TRAVAUX À MAINS LEVÉES. NE JAMAIS CROISER LES BRAS DEVANT LA LAME.

RÉFLÉCHIR AFIN DE PRÉVENIR LES ACCIDENTS. NE PAS FAIRE FONCTIONNER L'OUTIL SANS SES DISPOSITIFS DE PROTECTION.

NE JAMAIS ÉTENDRE LES MAINS DERRIÈRE LA LAME. ARRÊTER L'OUTIL, METTRE LA TÊTE DE LA SCIE VERS LE BAS ET ATTENDRE QUE LA LAME S'IMMOBILISE COMPLÈTEMENT AVANT DE DÉPLACER LES MAINS OU L'OUVRAGE OU DE MODIFIER LE RÉGLAGE DE L'OUTIL.

DÉBRANCHER L'OUTIL AVANT DE PROCÉDER À L'ENTRETIEN, DE CHANGER UNE LAME OU DE DÉPLACER L'OUTIL.

DANGER PELIGRO

KEEP AWAY FROM BLADE
MANTÉNGASE ALEJADO DE LA HOJA
S'ÉLOIGNER DE LA LAME



Connexion électrique

Il faut s'assurer que la source d'alimentation utilisée est conforme aux inscriptions qui figurent sur la plaque signalétique. La mention «120 volts c.a.» signifie que l'outil utilise du courant alternatif. Une baisse de tension de plus de 10 p. 100 provoque une perte de puissance et la surchauffe de l'outil. Tous les outils DEWALT ont été vérifiés à l'usine. Lorsque l'outil ne fonctionne pas, vérifier la source d'alimentation.

Déballage

Vérifier le contenu de l'emballage afin de s'assurer d'avoir toutes les pièces. Outre le guide d'utilisation, l'emballage comprend :

1. une scie à onglets, modèle DW705;
2. une lame DEWALT de 305 mm (12 po) de diamètre.
3. une clé pour la lame dans la case de rangement illustrée à la figure 2.
4. une sac à poussière

5. Rallonge de plateau latérale (certains modèles seulement)

Familiarisation

La scie à onglets est complètement assemblée (sauf la lame) dans l'emballage. Ouvrir la boîte et soulever la scie par la poignée pratique, comme le montre la figure 1.

Placer la scie sur une surface plane et uniforme (un établi ou une table solide).

Examiner les figures 2 et 3 afin de bien connaître la scie et ses composants. La section suivante traite des réglages à effectuer et on y utilise les termes apparaissant sur les figures. Il faut donc connaître le nom des pièces et savoir où elles se trouvent.

Appuyer légèrement sur le levier et dégager la tige de verrouillage, comme l'illustre la figure 4. Relâcher doucement la pression exercée vers le bas et laisser remonter le moteur de la scie en position normale. Utiliser la tige de

FIG. 1

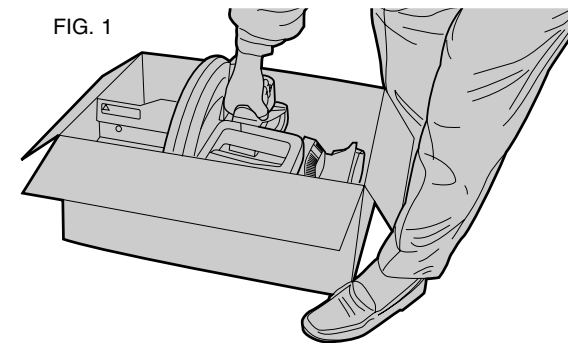


FIG. 2

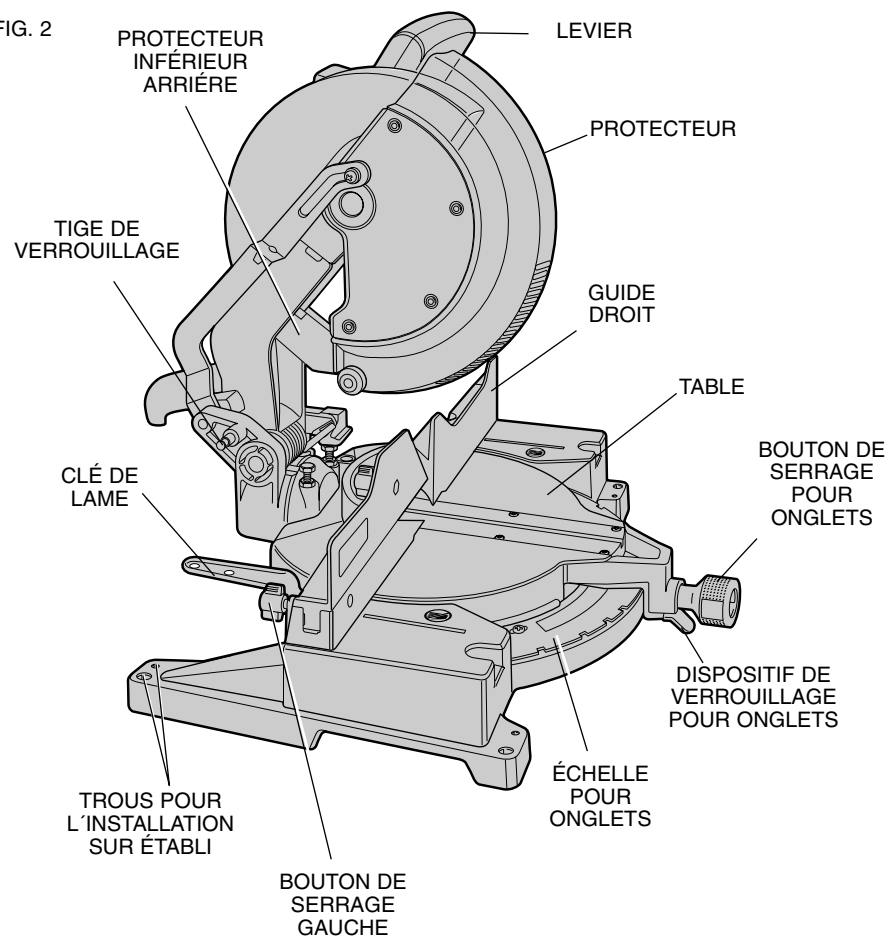
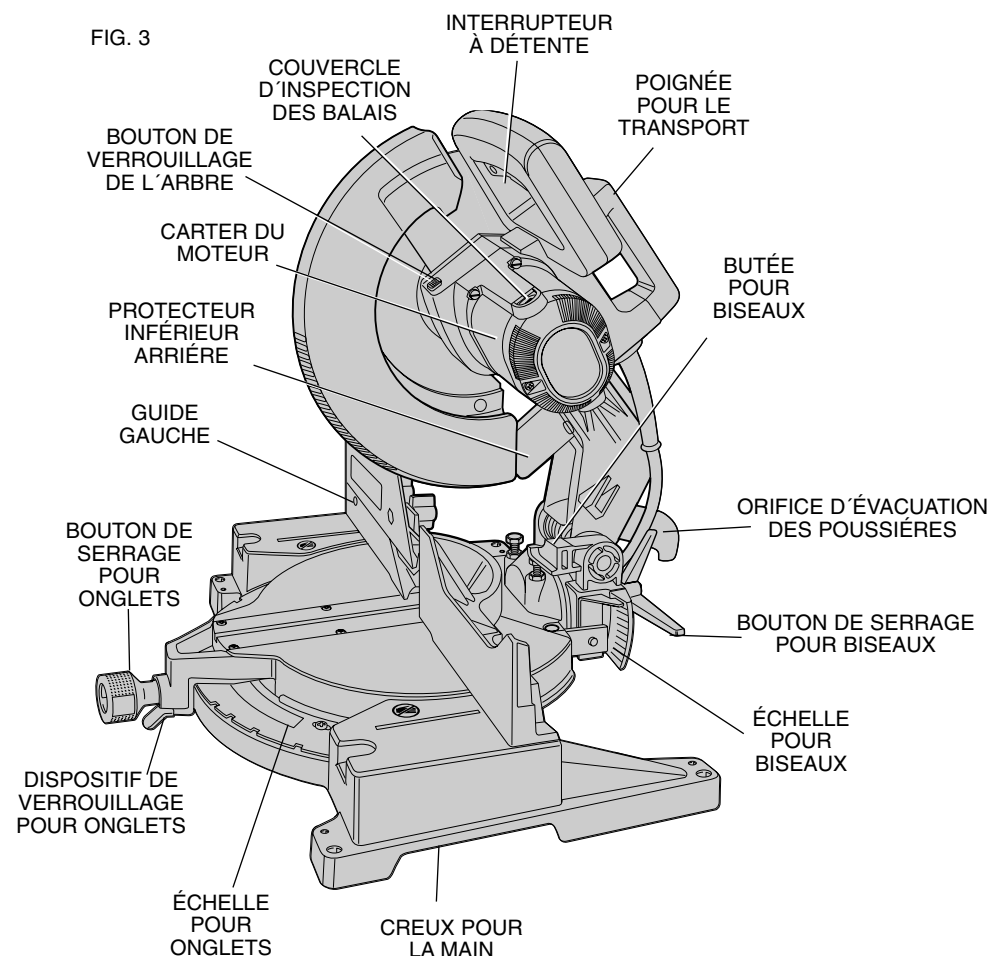


FIG. 3



verrouillage lorsqu'on transporte la scie d'un endroit à un autre. Toujours se servir de la poignée ou des creux pour les mains (illustrés à la figure 3) pour transporter la scie.

Fiche technique

CAPACITÉ DE COUPE

En onglet jusqu'à 48°, à droite ou à gauche

En biseau jusqu'à 48° à gauche et 3° à droite

En onglet à 0° Hauteur max. : 99 mm (3,9 po)

Largeur résultante : 149,8 mm (5,9 po)

Largeur max. : 200,6 mm (7,9 po)

Hauteur résultante : 63,5 mm (2,5 po)

En onglet à 45°

Hauteur max. : 99 mm (3,9 po)

Largeur résultante : 104 mm (4,1 po)

Largeur max. : 139 mm (5,5 po)

Hauteur résultante : 63,5 mm (2,5 po)

En biseau à 45°

Hauteur max. : 68,5 mm (2,7 po)

Largeur résultante : 149,8 mm (5,9 po)

Largeur max. : 200,6 mm (7,9 po)

Hauteur résultante : 43 mm (1,7 po)

ENTRAÎNEMENT

Puissance de sortie de 2000 watts, moteur de 15 A

Engrenages hélicoïdaux avec roulements à billes

Lame au carbure à, 4 000 trs/min

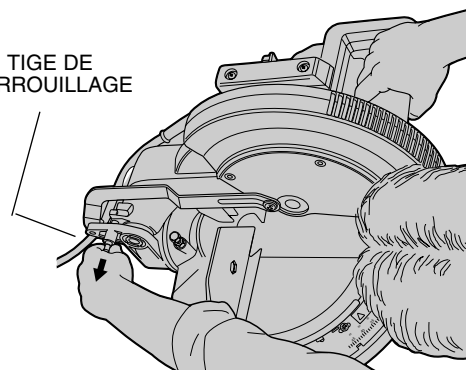
Accessoires facultatifs

Rallonge : Modèle DW7050

Sert à soutenir les grandes pièces. L'utilisateur peut assembler la rallonge et celle-ci se range commodément

FIG. 4

TIGE DE
VERROUILLAGE



sous la table de la scie. La table de la scie est conçue pour ranger deux rallonges; une de chaque côté.

Butée de longueur réglable : Modèle DW7051

Utilisation d'une rallonge requise (voir plus haut). Sert à faire des coupes répétitives de même longueur de 0 à 1,66 m (de 0 à 42 po).

Pince de serrage : Modèle DW7052

Sert à fixer fermement la pièce contre le guide de la scie afin d'assurer la précision de la coupe.

Sac à poussière : Modèle DW7053

Pourvu d'une fermeture-éclair afin d'en faciliter le vidage. Le sac à poussière ramasse la majorité de la sciure générée.

Butée de corniche : Modèle DW7054

Assure la précision de la coupe des corniches.

DW7050

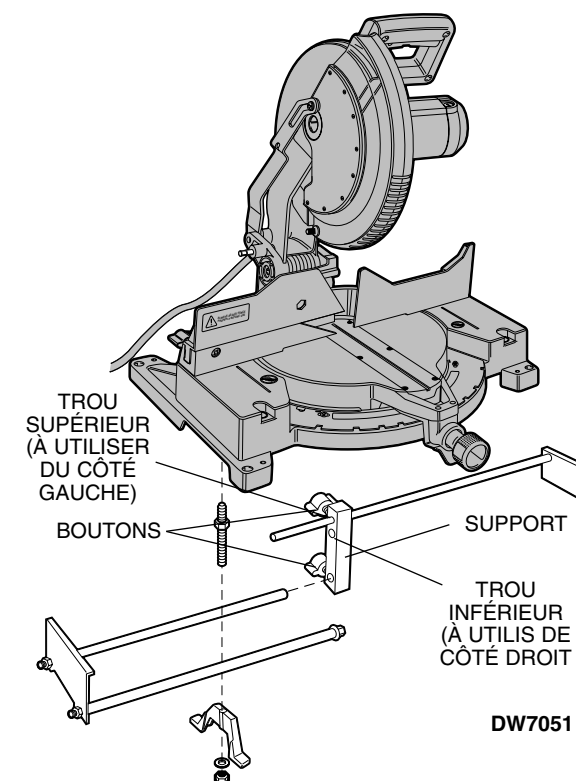
GOUJON
AUTOTARAUDEUR

ÉCROU DE
SERRAGE
(certains
modèles
seulement)

VIS ET RONDELLE
DE BUTÉE

PLAQUE
D'EXTRÉMITÉ
(certains modèles
seulement)

SUPPORT DE SERRAGE



TROU
SUPÉRIEUR
(À UTILISER
DU CÔTÉ
GAUCHE)

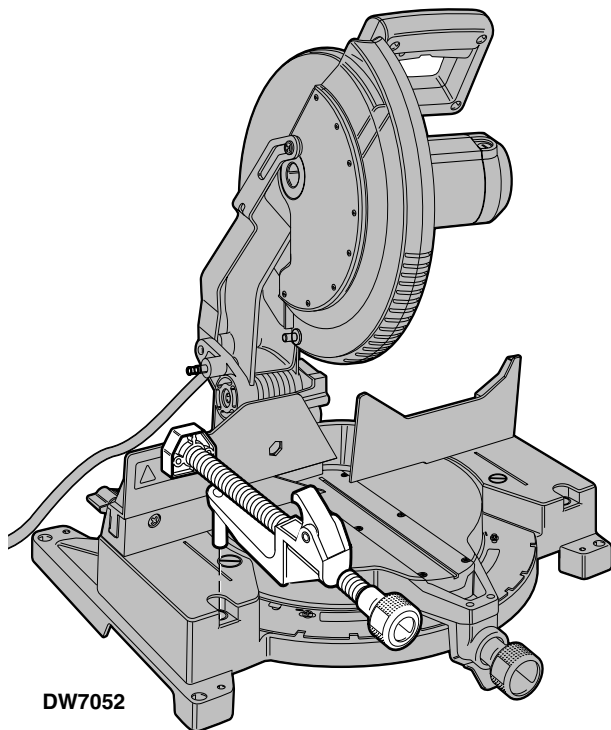
BOUTONS

SUPPORT

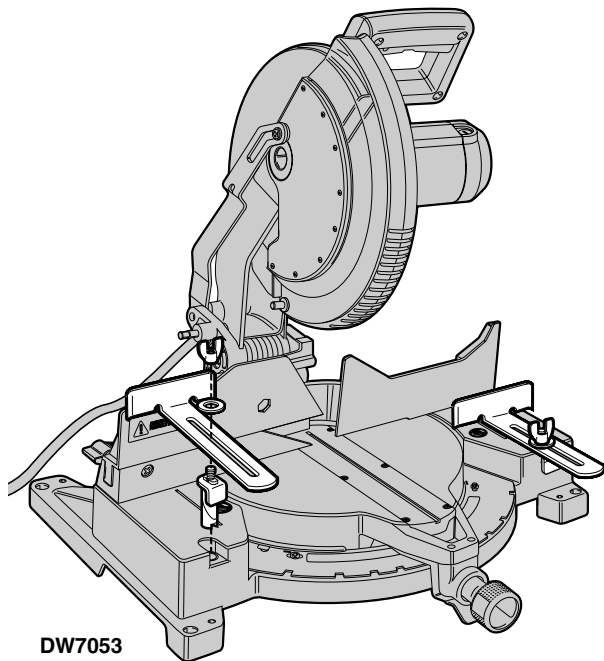
TROU
INFÉRIEUR
(À UTILISER
DU CÔTÉ
DROIT)

DW7051

CAT NO.	APPLICATIONS	DESCRIPTION DE LA LAME	NOMBRE DE DENTS	TYPES DE COUPE
DW3128	Boiseries fines moulures	Trait mince	80	Coupes lisses, sans éclats
DW3228	Boiseries fines moulures	Trait épais	80	Coupes très lisses sans éclats
DW7296	Boiseries fines moulures	Trait épais	96	Coupes ultra lisses sans éclats
DW3123	Charpentes, terrasses	Trait mince	32	Coupes rapides
DW3224	Charpentes, terrasses	Trait épais	48	Usage général
DW3226	Boiseries, charpentes, terrasses	Trait épais	60	Coupes en travers lisses
DW3229	Métaux non ferreux	Trait épais avec dents spéciale	80	Directement, sans bavures



DW7052



DW7053

Accessoires

Les accessoires recommandés pour l'outil sont vendus séparément au centre de service de la région.

▲ MISE EN GARDE : L'utilisation de tout accessoire non recommandé peut être dangereuse.

Pour trouver un accessoire, communiquer avec DEWALT Industrial Tool Co., 701 East Joppa Road, Baltimore, MD 21286 É.-U. ou composer le 1 (800) 4-DEWALT (1 (800) 433-9258).

Montage sur établi

Les quatre pattes de l'outil sont pourvues d'un trou afin d'en faciliter le montage sur établi, comme le montre la figure 2. (Il y a deux trous de différentes grosseurs qui acceptent des vis de différentes grosseurs. Il n'est nécessaire d'utiliser les deux trous.) Toujours installer la scie solidement afin d'éviter qu'elle ne bouge. Afin de pouvoir transporter la scie facilement, il est conseillé de fixer l'outil à un morceau de contreplaqué d'au moins 13 mm (1/2 po) d'épaisseur qu'on pourra ensuite fixer à un établi ou à un autre endroit lorsqu'on a à se déplacer.

NOTE : Lorsqu'on fixe la scie sur un morceau de contreplaqué, s'assurer que les vis ne dépassent pas sous le bois. Le contreplaqué doit reposer à plat sur la surface de travail. Lorsqu'on fixe la scie à une surface quelconque, il faut installer les pinces de serrage seulement aux épaulements où se trouvent les trous des vis de montage. L'installation des pinces à tout autre endroit nuira au bon fonctionnement de la scie.

▲ MISE EN GARDE : S'assurer que la surface de montage est uniforme afin d'éviter le pliage et l'imprécision. Lorsque la scie oscille sur la surface, placer un morceau de matériau mince sous l'une des pattes de l'outil jusqu'à ce que la scie repose carrément sur la surface de montage.

DIRECTIVES DE SÉCURITÉ IMPORTANTES

Changement ou pose d'une nouvelle lame de scie

▲ MISE EN GARDE :

- N'enfoncez jamais le bouton de verrouillage de la broche lorsque la lame est sous tension ou qu'elle continue de tourner après l'arrêt de la scie.
- Ne coupez pas du métal ferreux (contenant du fer ou de l'acier), de la maçonnerie ou du fibrociment avec cette scie à onglets.

Dépose de la lame

1. Débranchez la scie.
2. Levez le bras à la position supérieure, puis lever le pare-main (A) aussi haut que possible.
3. Desserrez la vis du support du pare-main (B) sans l'enlever de manière à ce que le support puisse être

FIG. 5

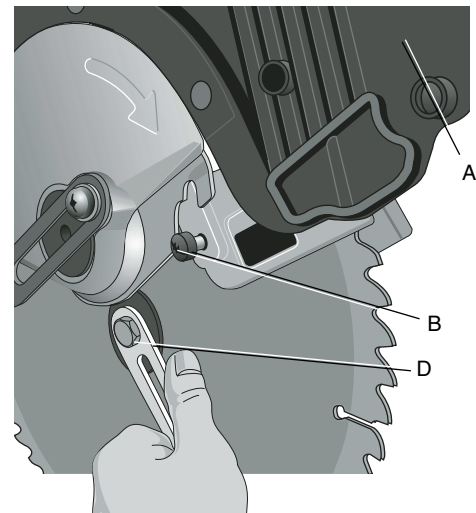


FIG. 6

LA DISTANCE ENTRE LA LAME ET LE PROTECTEUR DOIT ÊTRE ÉGALE DE CHAQUE CÔTÉ

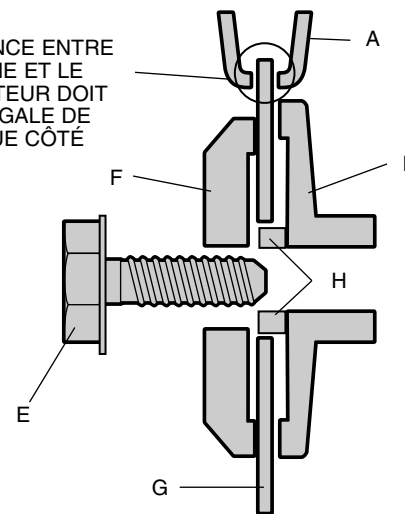
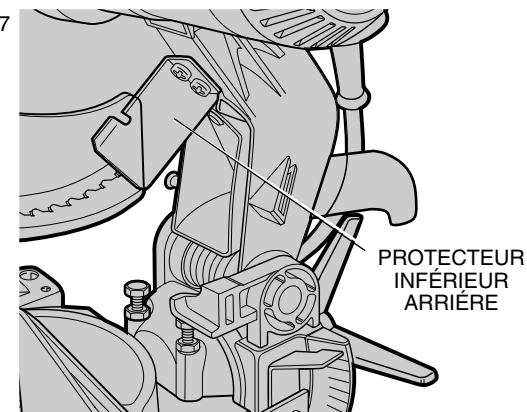


FIG. 7



levé suffisamment haut pour accéder à la vis de la lame.

4. Enfoncez le bouton de verrouillage de la broche (Fig. 3) tout en tournant la lame de scie manuellement de manière à engager le dispositif de verrouillage.
5. Maintenez le bouton enfoncé et utilisez l'autre main et la clé fournie (D) pour desserrer la vis de la lame. (Tournez dans le sens horaire, filets inversés)
6. Enlevez la vis (E) de la lame, la rondelle de bride de fixation extérieure (F) et la lame (G). L'adaptateur de lame de 25.4 mm (1 po) (H), si utilisé, et la rondelle de bride de fixation intérieure (I) peuvent être laissés sur la broche.

REMARQUE : L'adaptateur de lame de 25.4 mm (1 po) n'est pas utilisé pour les lames dotées d'un trou de lame de 15.88 mm (5/8 po).

Pose d'une lame

1. Débranchez la scie.
2. Le bras étant levé, le pare-main inférieur ouvert et le porte-pivot levé, posez la lame sur la broche, sur l'adaptateur de lame [si une lame à trou de 25.4 mm (1 po) est utilisée] et contre la rondelle de bride de fixation intérieure, les dents se trouvant au bas de la lame et pointant vers l'arrière de la scie.
3. Assemblez la rondelle de bride de fixation extérieure sur la broche.
4. Posez la vis de la lame et, tout en engageant le bouton de verrouillage de la broche, serrez fermement la vis avec la clé fournie. (Tournez dans le sens antihoraire, filets inversés)

REMARQUE : L'adaptateur de lame n'est pas utilisé pour les lames à trou de 15.88 mm (5/8 po) et doit être rangé dans un endroit sûr pour un usage ultérieur.

5. Remettez le support de pare-main à sa position d'origine, puis serrez fermement la vis du support de pare-main afin de maintenir en place le support.

⚠ AVERTISSEMENT :

- **Le support du pare-main doit être remis à sa position d'origine et la vis doit être serrée avant d'activer la scie.**
- **Si vous négligez de le faire, le pare-main risque d'entrer en contact avec la lame de scie tournante et ainsi causer des dommages à la scie et des blessures corporelles graves.**

Rallonge de plateau latérale (certains modèles seulement)

S'ASSURER DE BIEN SUIVRE TOUTES LES CONSIGNES DE SÉCURITÉ CONTENUES DANS LE

FIG. 8

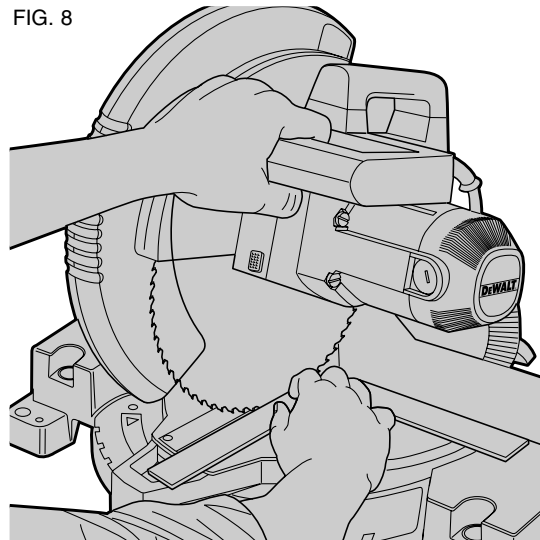


FIG. 9

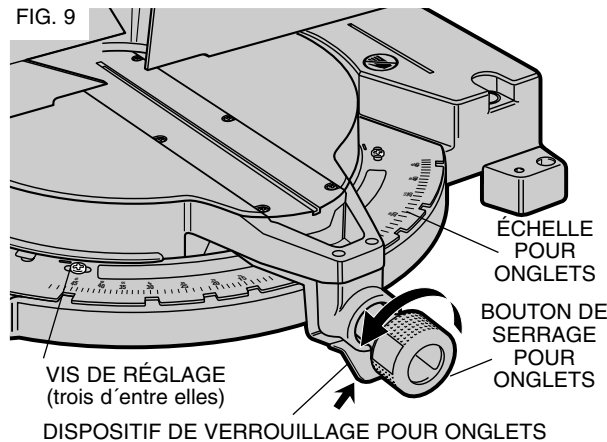
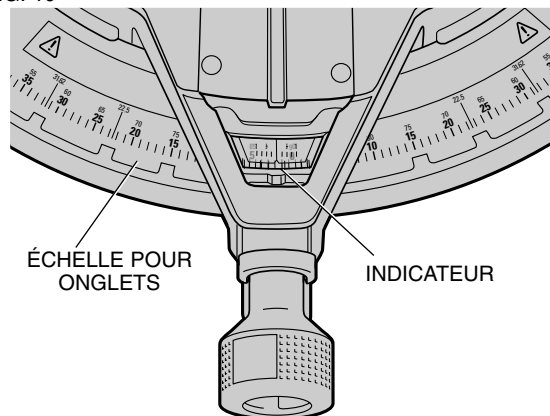


FIG. 10



MANUEL D'UTILISATION DE LA SCIE À ONGLETS. DÉBRANCHER LA SCIE AVANT D'INSTALLER, DE RÉGLER OU DE RETIRER LA RALLONGE.

La rallonge peut être utilisée sur l'un ou l'autre des côtés du plateau, ou les deux.

Lorsque fournie avec l'outil, la rallonge est installée en usine sur le côté gauche :

1. Insérer le goujon autotaraudeur dans l'orifice situé sous la scie.
2. Installer la rallonge tel qu'illustré, en s'assurant que les pattes s'ancrent solidement dans la ferrure de serrage.
3. Serrer la ferrure.

⚠ AVERTISSEMENT : Ne pas soulever, tenir ou transporter la scie à onglets au moyen de la rallonge; cela pourrait la faire renverser, entraîner la perte de la maîtrise de l'outil ou causer des blessures.

REMARQUE : avant de transporter la scie à onglets, retirer la rallonge ou l'escamoter à l'intérieur de la base de l'outil.

Réglage du protecteur inférieur arrière

Vérifier le protecteur inférieur arrière pour s'assurer qu'il est placé de sorte que la lame est au centre et à distance égale de chaque côté, comme le montrent les figures 6 et 7. Régler au besoin en desserrant les deux vis et en déplaçant le protecteur. Resserrer fermement les deux vis. Ne jamais enlever le protecteur.

Transport de la scie

METTRE LA SCIE À ONGLETS HORS TENSION ET LA DÉBRANCHER AVANT DE LA DÉPLACER OU DE LA RÉGLER.

Afin de bien transporter la scie à onglets d'un endroit à un autre, celle-ci est dotée d'une poignée sur le dessus du moteur, comme le montre la figure 3. Pour transporter la scie, abaisser le moteur et enfoncer la tige de verrouillage illustrée à la figure 4.

NOTE : On ne peut pas abaisser complètement le moteur de la scie lorsqu'il y a une lame en place et que la plaque n'est pas rainurée. Lorsqu'on veut déplacer la scie avant de pratiquer une rainure dans la plaque, il faut enlever la lame.

Réglages

DÉBRANCHER LA SCIE À ONGLETS AVANT DE PROCÉDER AUX RÉGLAGES

REMARQUE : la scie à onglets a fait l'objet d'un réglage complet et précis à l'usine au moment de sa fabrication. Si des réglages supplémentaires s'avèrent nécessaires à la suite de sa manutention et de son expédition, ou pour toute autre raison, on doit procéder en suivant les étapes décrites ci-dessous.

Une fois effectués, les réglages doivent rester précis. Il est donc important de prendre le temps de bien suivre les

directives indiquées ci-dessous afin d'assurer la précision de coupe dont la scie est apte à procurer.

RÉGLAGE DE L'ÉCHELLE DE COUPE EN ONGLET

Placer une équerre contre le guide et la lame, tel qu'illustré à la figure 8. (Éviter tout contact entre l'extrémité des dents de la lame et l'équerre afin de ne pas fausser les mesures.)

Desserrer le bouton de serrage (fig. 9) et faire basculer le bras jusqu'à ce que le dispositif de verrouillage bloque le bras à la position zéro; ne pas serrer le bouton de serrage. Si la lame n'est pas exactement perpendiculaire au guide, desserrer les trois vis qui retiennent l'échelle à la base (fig. 9), et déplacer l'ensemble échelle / bras d'onglet vers la gauche ou vers la droite, jusqu'à ce que la lame soit complètement perpendiculaire au guide, tel qu'indiqué par l'équerre; resserrer les trois vis. Ne pas tenir compte de l'information affichée sur l'indicateur pour le moment.

RÉGLAGE DE L'INDICATEUR D'ONGLET

Desserrer le bouton de serrage et placer le bras à la position zéro en appuyant sur le dispositif de verrouillage (fig. 9). Maintenir le bouton desserré et laisser le dispositif de verrouillage s'enclencher à la position voulue, tout en tournant le bras au-delà de la position zéro. Observer l'indicateur et l'échelle par le regard illustré à la figure 10. Si l'indicateur n'affiche pas exactement zéro, le tirer doucement vers la gauche ou vers la droite au moyen d'un tournevis à lame plate.

RÉGLAGE DU BISEAU EN ÉQUERRE

Pour aligner la lame perpendiculairement au plateau rotatif, verrouiller le bras en position inférieure. Mettre une équerre contre la lame, en prenant soin de ne pas l'accrocher dans les dents, tel qu'illustré à la figure 11. Relâcher le bouton de serrage de manière à pouvoir déplacer le bras de réglage du biseau; déplacer ce dernier jusqu'à ce que la lame ne présente plus d'angle de biseau par rapport au plateau. Si le bras de réglage du biseau doit être réglé, dévisser l'écrou de blocage situé du côté droit de la butée du biseau (figure 12), et régler le vis de la butée tel que désiré. Tenir ensuite la vis et serrer l'écrou de blocage.

INDICATEUR DE BISEAU

Si l'indicateur de biseau n'affiche pas exactement zéro, desserrer la vis qui le retient en place et le déplacer jusqu'à la position voulue.

CONSEIL : l'indicateur de biseau étant plutôt épais, régler le bord supérieur de manière à l'aligner avec le zéro pour assurer une meilleure précision.

BUTÉE DU BISEAU

Pour régler la butée de biseau à un angle de 45°, desserrer les boutons de serrage du guide gauche, puis glisser ce dernier à l'extrême gauche. Déplacer le bras vers la gauche jusqu'à ce qu'il s'appuie contre la vis de la butée

FIG. 11A

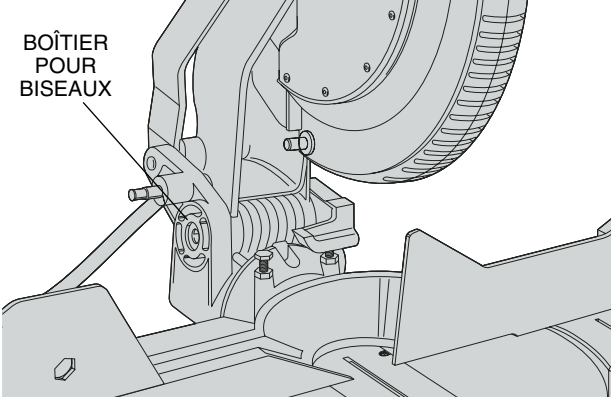


FIG. 11

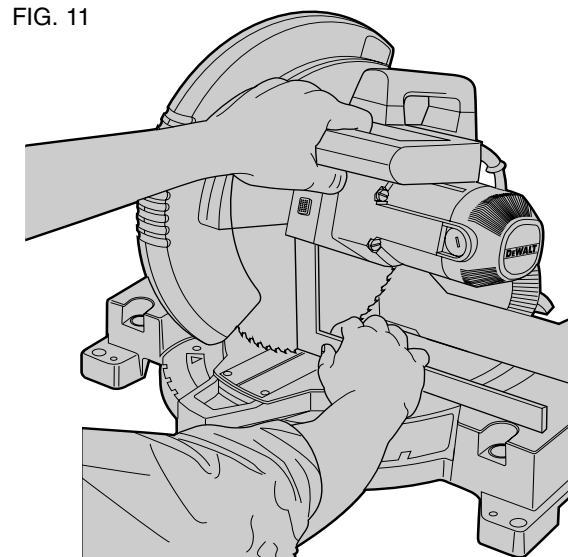


FIG. 12

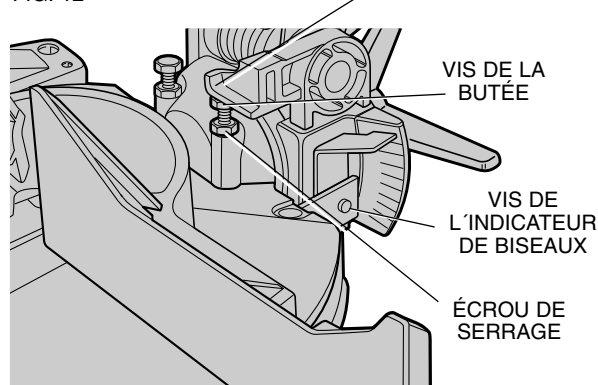


FIG. 13

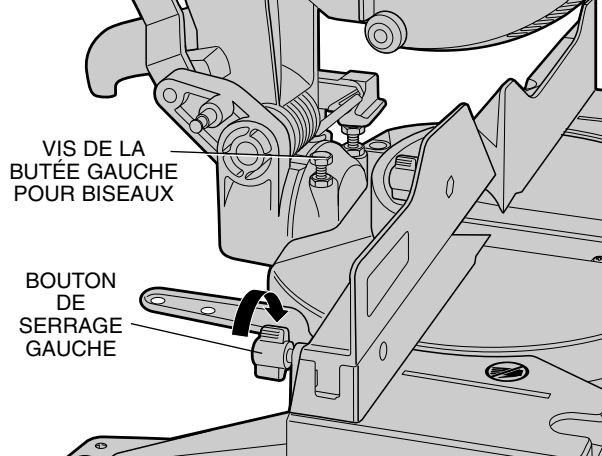
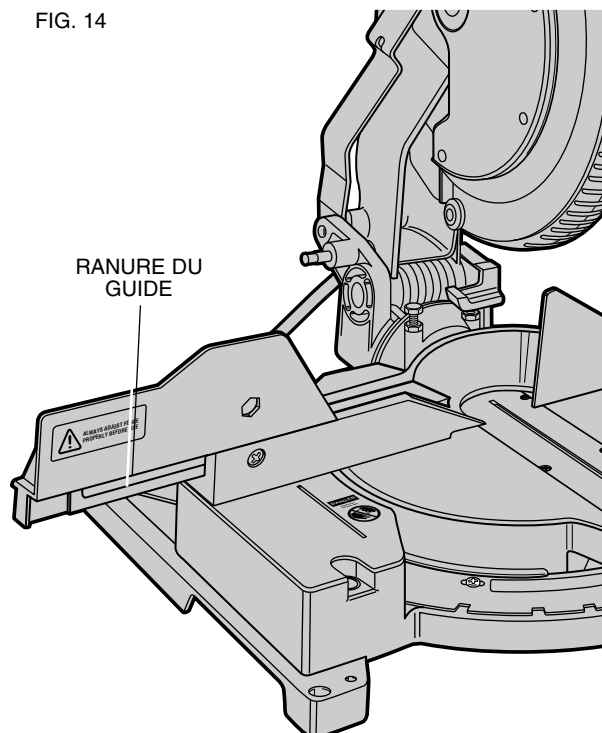


FIG. 14



de biseau gauche. Si l'indicateur de biseau n'affiche pas exactement 45°, desserrer l'écrou de blocage de la butée de biseau gauche et tourner la vis vers le bas. Déplacer le bras vers la gauche et, lorsque l'indicateur pointe exactement la marque de 45°, serrer fermement le bouton de serrage de biseau. Tourner la vis de la butée de biseau gauche vers le haut jusqu'à ce qu'elle s'appuie solidement contre la butée. Resserrer l'écrou tout en tenant solidement la vis afin de l'empêcher de tourner.

Pour obtenir un biseau de 3° vers la droite ou de 48° vers la gauche, les vis de la butée doivent être réglées de manière à permettre le déplacement du bras jusqu'à la position voulue. Une fois la coupe effectuée, les butées de biseau doivent être replacées aux angles de 0° et de 45°.

RÉGLAGE DU GUIDE

Arrêter et débrancher la scie à onglets.

Afin que la scie puisse réaliser un biseau complet de 48° vers la gauche, on peut pousser le guide gauche de manière à obtenir le jeu nécessaire. Pour régler le guide, desserrer le bouton de serrage en plastique (figure 13) et faire glisser le guide vers la gauche. Faire un essai à vide la scie arrêtée et vérifier s'il y a suffisamment de jeu. Régler le guide de manière à le placer le plus près possible de la lame afin d'assurer un support maximal à l'ouvrage, sans gêner les mouvements verticaux du bras; bien serrer le bouton. Une fois la coupe en biseau terminée, on ne doit pas oublier de replacer le guide vers la droite.

REMARQUE : la rainure du guide gauche (figure 14) peut devenir obstruée par la sciure de bois. Si tel est le cas, la dégager au moyen d'un bâtonnet ou d'un jet d'air à basse pression.

FONCTIONNEMENT DU PROTÈGE-LAME ET VISIBILITÉ

Le protège-lame se lève ou se baisse automatiquement lorsqu'on abaisse ou qu'on soulève le bras respectivement.

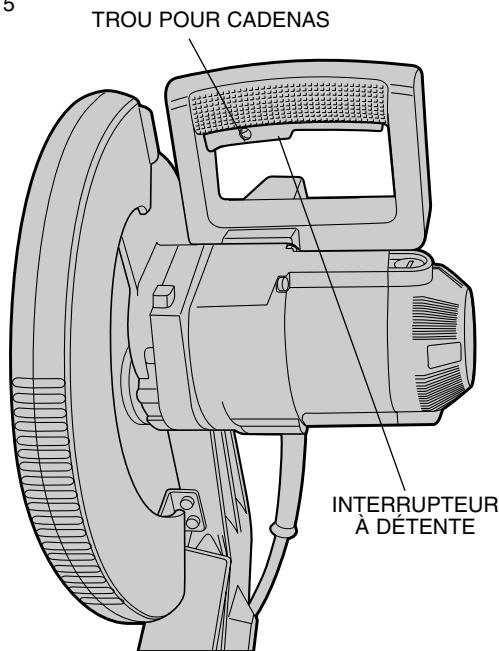
On peut lever le protège-lame manuellement lorsqu'on installe ou qu'on retire les lames ou qu'on inspecte la scie.

NE JAMAIS LEVER LE PROTÈGE-LAME MANUELLEMENT LORSQUE LA SCIE EST EN MARCHÉ.

REMARQUE : on doit soulever manuellement le dispositif de protection lorsqu'on effectue certaines coupes particulières. Se reporter à la section relative à la coupe de plinthes mesurant jusqu'à 9,8 cm (3 7/8 po) de hauteur, à la page 10.

La section avant du dispositif de protection est dotée de fentes qui améliorent la visibilité durant la coupe. Bien que, grâce à ces fentes, les projections de débris soient considérablement réduites, il reste qu'elles constituent des ouvertures; on doit toujours porter des lunettes de protection lorsqu'on s'en sert pour voir son ouvrage.

FIG. 15



FREIN ÉLECTRIQUE AUTOMATIQUE (120 VOLTS SEULEMENT)

La scie est munie d'un frein électrique non réglable destiné à arrêter automatiquement la lame dans un délai de cinq secondes suivant le relâchement de la gâchette.

Le frein peut, à l'occasion, prendre plus de temps à s'engager ou, plus rarement, ne pas s'engager du tout, dans lequel cas, la lame continue de tourner lentement et s'arrête graduellement.

Si cela se produit, ou si la scie saute, démarrer et arrêter celle-ci quatre ou cinq fois. Si le problème persiste, retourner la scie à un centre de service DEWALT autorisé en vue de régler le problème.

On doit toujours s'assurer que la lame se soit complètement arrêtée avant de la retirer de la plaque amovible. Le frein n'étant pas un dispositif de sécurité, on doit assurer sa propre protection en restant toujours vigilant.

Balais

DÉBRANCHER L'OUTIL.

Inspecter régulièrement les balais de carbone en débranchant l'outil, en enlevant le couvercle d'inspection des balais (fig. 3) et en retirant l'assemblage balai. S'assurer que les balais sont propres et qu'ils glissent librement dans leurs guides. Toujours remplacer les balais usés en plaçant le nouveau balai dans le même sens que l'ancien dans le porte-balais. Les balais de carbone portent diverses mentions sur leurs côtés et lorsqu'ils sont usés jusqu'à

la ligne la plus près du ressort, il faut les remplacer. Utiliser seulement des balais DEWALT identiques. L'utilisation de balais de calibre approprié est essentielle au bon fonctionnement du frein électronique. On peut acheter des nouveaux balais aux centres de service DEWALT. Il faut laisser fonctionner l'outil sous vide (sans charge) pendant 10 minutes avant de s'en servir afin de s'assurer que les nouveaux balais sont bien en place. Le frein électronique peut fonctionner de façon intermittente jusqu'à ce que les balais soient bien en place.

Lors de la marche sous vide de l'outil, **NE PAS ATTACHER, FIXER AVEC DU RUBAN ADHÉSIF NI RETENIR DE TOUTE AUTRE FAÇON QUE CE SOIT L'INTERRUPTEUR À DÉTENTE EN POSITION DE MARCHÉ. LE TENIR MANUELLEMENT SEULEMENT.**

Fonctionnement

Brancher la scie dans une prise de 60 Hz. S'assurer que le cordon ne se trouve pas dans le chemin de la coupe.

INTERRUPTEUR

Pour mettre la scie en marche, enfoncer l'interrupteur à détente de la façon illustrée à la figure 15. Pour arrêter l'outil, relâcher l'interrupteur. Il n'est pas possible de verrouiller la scie en marche, mais la détente est dotée d'un trou permettant d'y insérer un cadenas afin de bloquer la scie en position d'arrêt.

COUPE

NOTE : Même si la scie peut couper le bois et de nombreux métaux non-ferreux, le présent guide ne traite que de la coupe du bois. Les mêmes directives valent pour les autres matériaux. **NE PAS UTILISER LA SCIE POUR COUPER DES MATÉRIAUX FERREUX (FER ET ACIER) NI DE LA MAÇONNERIE.** Ne pas utiliser de lames abrasives.

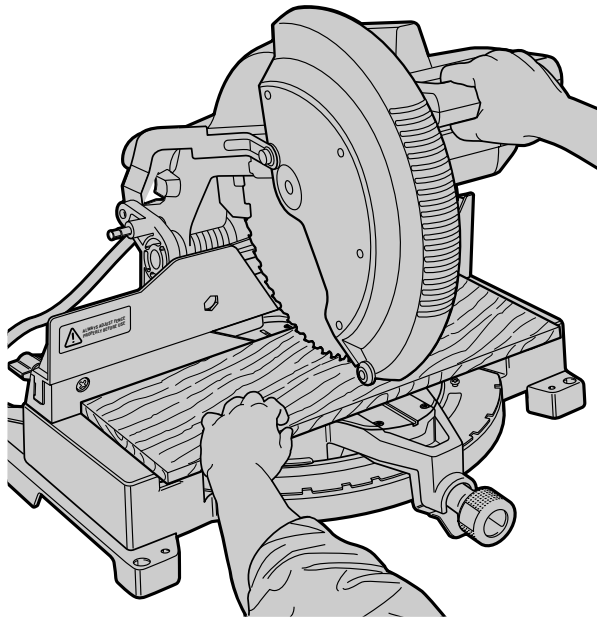
COUPES EN TRAVERS

Une coupe en travers se fait en coupant le bois dans le sens du grain à tout angle. On effectue une coupe droite en travers en plaçant l'indicateur d'onglets à la position zéro. Régler l'indicateur d'onglets à la position zéro, tenir le bois sur la plaque et le faire reposer fermement contre le guide. Mettre la scie en marche en enfonçant la détente de l'interrupteur de la façon illustrée à la figure 15.

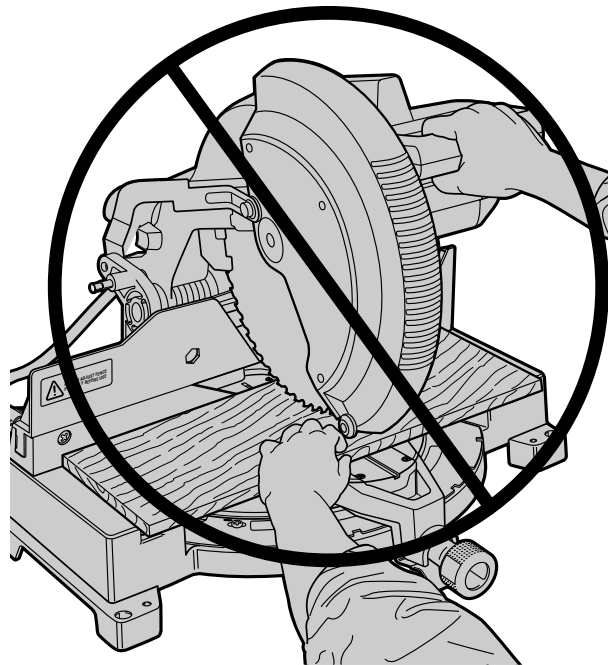
Lorsque la scie atteint son plein régime (en environ 1 seconde), abaisser le moteur doucement et découper lentement le bois. Attendre l'immobilisation complète de la lame avant de soulever le moteur.

On effectue des coupes en travers à onglets en plaçant l'indicateur d'onglets à un angle autre que zéro. Il s'agit bien souvent de 45 degrés pour faire des coins, mais il peut s'agir de toute position entre 0 et 48 degrés, à gauche ou à droite. Après avoir choisi l'angle de l'onglet, ne pas oublier de bien visser le bouton de serrage

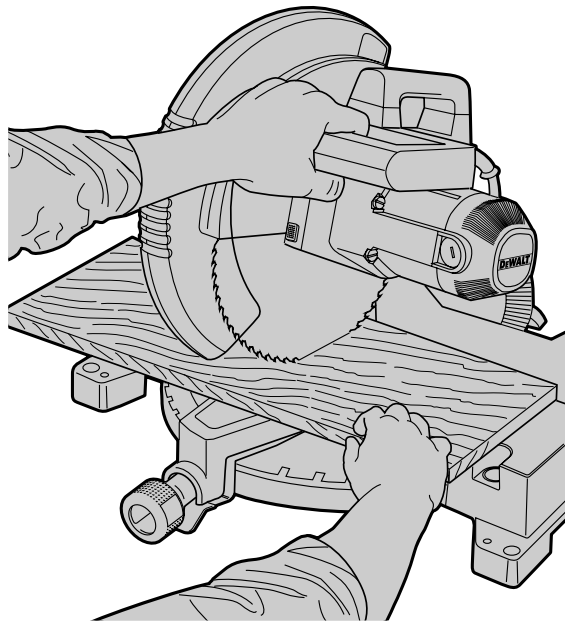
FIG. 16



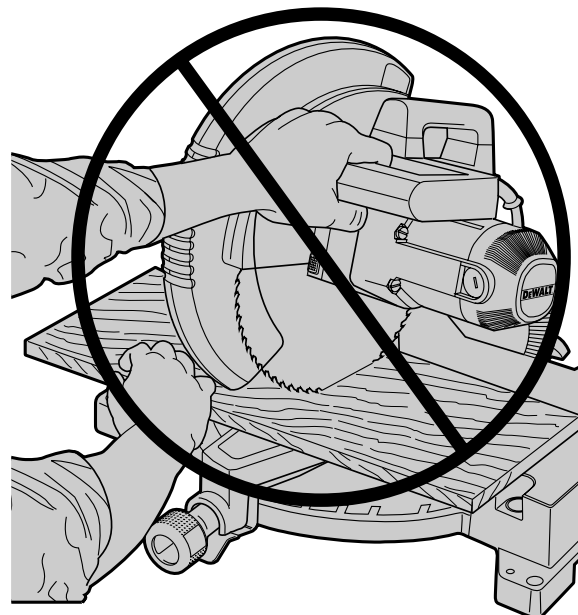
COUPE APPROPRIÉ



COUPE INCORRECT



COUPE APPROPRIÉ



COUPE INCORRECT

pour onglets. Effectuer la coupe de la façon décrite précédemment.

COUPES EN BISEAU

Une coupe en biseau est une coupe en travers effectuée lorsque la lame de la scie est placée en biseau dans le bois. Pour régler le biseau, dévisser le bouton de serrage pour biseaux et déplacer la scie vers la gauche jusqu'à la position voulue. (Il est nécessaire de déplacer le guide gauche afin de laisser un jeu comme il est indiqué à la rubrique sur le réglage des butées pour biseaux.) À l'obtention de l'angle de biseau voulu, revisser fermement le bouton de serrage pour biseaux.

On peut régler les biseaux à des angles variant entre 3° à droite et 48° à gauche et on peut régler l'indicateur d'onglets entre 0° et 48° à gauche ou à droite.

QUALITÉ DE LA COUPE

La qualité de la coupe dépend d'un certain nombre de facteurs. Il peut s'agir du type de matériau à couper, du type de lame utilisé, de l'affûtage de la lame et de la vitesse de coupe. Ces éléments influencent tous la qualité de la coupe.

Lorsqu'on veut une coupe douce pour une moulure ou tout autre travail de précision, une lame tranchante (60 dents, au carbure) et une vitesse de coupe lente et uniforme procureront les résultats voulus.

Afin d'éviter que le matériau ne glisse pendant la coupe, bien le fixer en place. Toujours attendre l'immobilisation complète de la lame avant de soulever le moteur de la scie.

Lorsque des fibres de bois éclatent à l'arrière de la pièce à découper, coller du ruban-cache sur le bois à l'endroit où on découpera. Découper dans le ruban-cache et le retirer à la fin des travaux.

Consulter le tableau des lames recommandées pour les diverses utilisations de la scie et choisir celle qui convient le mieux à la tâche.

POSITION DU CORPS ET DES MAINS (FIG. 16)

Une bonne position du corps et des mains facilite l'utilisation de la scie tout en donnant de meilleurs résultats de façon sûre. Ne jamais placer les mains près de la zone de coupe. Les tenir à plus de 152 mm (6 po) de la lame. Bien placer la pièce à découper contre la plaque et le guide pendant la coupe. Ne pas déplacer les mains jusqu'à ce qu'on ait relâché la détente et que la lame ne s'immobilise complètement. **TOUJOURS FAIRE DES ESSAIS À BLANC (AVEC L'APPAREIL HORS TENSION) AVANT LES COUPES DE FINITION AFIN DE VÉRIFIER LA TRAJECTOIRE DE LA LAME. NE PAS CROISER LES MAINS, COMME LE MONTRE LA FIGURE À GAUCHE.**

Laisser les deux pieds sur le plancher et garder un bon équilibre. Lorsqu'on déplace la scie à onglets à gauche et à droite, la suivre et se tenir un peu sur le côté de la lame.

FIG. 17

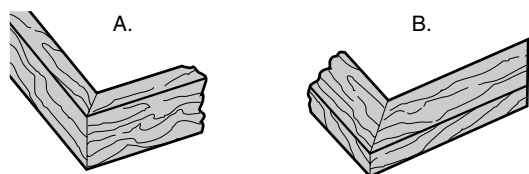


FIG. 18

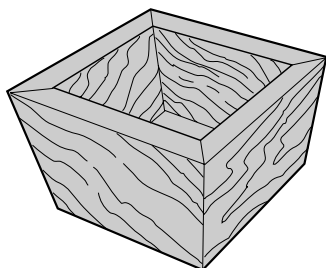


FIG. 19

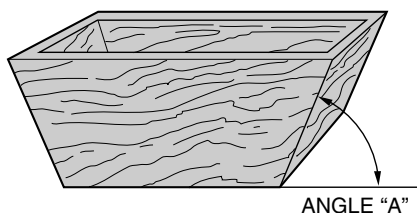
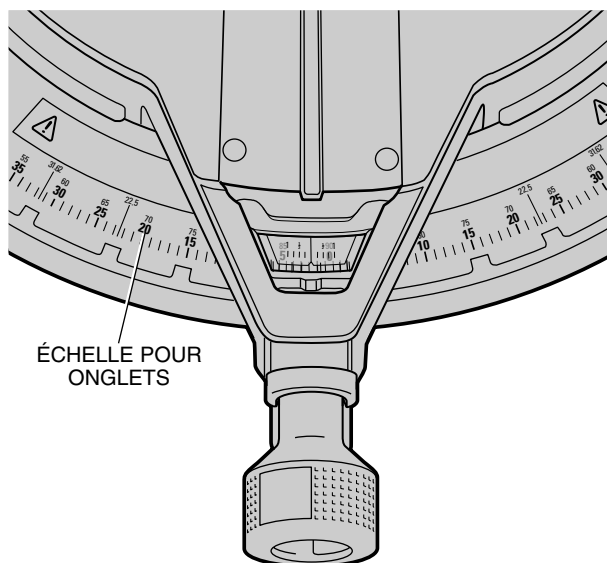


FIG. 20



Regarder par les volets du protecteur pour suivre un tracé au crayon.

FIXATION DE LA PIÈCE À OUVRER

Mettre la scie hors tension et la débrancher.

TOUJOURS FIXER LE BOIS SUR LA SCIE DANS LA MESURE DU POSSIBLE. On peut fixer la pièce d'un côté ou de l'autre de la lame et toujours se rappeler de placer la pince de serrage contre une surface plane et solide du guide. Afin d'optimiser les résultats, se servir de la pince de serrage, modèle DW7052, conçue pour la scie. La pince est vendue séparément chez les détaillants.

Il FAUT utiliser une pince de serrage lorsqu'on coupe de petites pièces et que les mains se trouvent près (à moins de 152,4 mm ou 6 po) de la lame afin de prévenir la perte de maîtrise de l'outil. On peut régler le guide gauche afin de faciliter le serrage.

SOUTIEN DES GRANDES PIÈCES

Mettre la scie hors tension et la débrancher.

toujours soutenir les pièces longues.

Afin d'optimiser les résultats, utiliser la rallonge, modèle DW7050, pour agrandir la table de la scie. La rallonge est vendue séparément chez les détaillants. Soutenir les grandes pièces à l'aide de chevalets ou de tout autre dispositif semblable qui empêche les bouts de s'affaisser.

CADRES, BOÎTES VIDES ET AUTRES PROJETS À QUATRE CÔTÉS

Afin de mieux comprendre comment découper les articles mentionnés dans le présent guide, il est conseillé de tenter d'effectuer quelques projets de simple envergure sur des morceaux de bois inutiles pour mieux « connaître » la scie.

La scie convient parfaitement à la coupe en onglets de coins comme ceux illustrés à la figure 17. Le croquis A de cette figure montre un joint fait en réglant la scie à la coupe en biseau de 45° de deux planches afin de former un coin de 90°. Pour faire ce joint, l'indicateur d'onglets était bloqué à 0° et le biseau était réglé à 45°. La partie large et plate du bois était placée contre la plaque et le bord étroit reposait contre le guide. On aurait également pu effectuer cette coupe en découpant en onglets à gauche et à droite en plaçant la partie large du bois contre le guide.

MOULURES ET AUTRES CADRES

Le croquis B de la figure 17 montre un joint fait en réglant l'indicateur d'onglets à 45°. Les deux planches ont été coupées en onglet pour former un coin de 90°. Pour faire ce type de joint, il faut régler le biseau à zéro et l'onglet à 45°. De nouveau, la partie large du bois repose contre la plaque et la partie étroite, contre le guide.

Les deux croquis de la figure 17 représentent des projets à quatre côtés seulement.

À mesure que le nombre de côtés change, les angles des onglets et des biseaux changent également. Le tableau suivant donne les angles appropriés pour une variété de formes.

(Dans ce tableau, on suppose que tous les côtés sont de longueur égale.) Pour une forme qui n'est pas illustrée dans le tableau, utiliser la formule suivante. Diviser 180° par le nombre de côtés pour obtenir l'angle de l'onglet ou du biseau.

ONGLETS MIXTES

Un onglet mixte est une coupe utilisant à la fois un onglet et un biseau. Ce type de coupe sert dans la fabrication de cadres ou de boîtes à côtés inclinés comme le montre la figure 18.

- EXEMPLES -

NOMBRE DE CÔTÉS	ANGLE DE L'ONGLET OU DU BISEAU
4	45°
5	36°
6	30°
7	25,7°
8	22,5°
9	20°
10	18°

NOTE : Lorsque les angles de coupe changent d'une coupe à l'autre, s'assurer que les boutons de serrage pour biseaux et pour onglets sont bien serrés. Ces boutons doivent être serrés après toute modification de biseau ou d'onglet.

Le tableau previous aide à choisir l'angle en biseau ou en onglet approprié pour les coupes en onglets mixtes ordinaires. Afin de pouvoir utiliser ce tableau, choisir l'angle A voulu (fig. 19) pour le projet et situer cet angle sur l'arc approprié du tableau. De ce point, descendre en ligne droite jusqu'au bas du tableau pour déterminer l'angle en biseau et voir à la verticale l'angle en onglet approprié.

Régler la scie aux angles déterminés et faire quelques essais. Tenter de joindre les morceaux découpés de la sorte jusqu'à ce qu'on se soit fait la main.

Par exemple, pour faire une boîte à 4 côtés à un angle extérieur de 25° (angle A de la figure 19), utiliser l'arc supérieur droit. Trouver 25° sur l'échelle de l'arc. Suivre la ligne d'intersection horizontale d'un côté ou de l'autre pour déterminer l'angle d'onglet de la scie (23°). De même, suivre la ligne d'intersection verticale vers le haut ou le bas pour obtenir l'angle de biseau approprié (40°). Toujours faire quelques essais de coupe sur des morceaux inutiles afin de vérifier les réglages de la scie.

ÉCHELLE POUR ONGLETS À DOUBLE PORTÉE

L'échelle pour onglets comporte deux gammes de chiffres pour plus de commodité, comme le montre la figure 20. Une échelle indique 0 degré lorsque la lame est perpendiculaire au guide. L'autre se trouve alors à 90°.

L'échelle à 0 degré (gros chiffres à l'avant) sert à calculer les angles. Pour déterminer l'angle à onglet approprié, diviser 180 degrés par le nombre de côtés de la boîte ou du cadre. Consulter le tableau à la page 29.

L'échelle à 90 degrés (petits chiffres à l'arrière) sert à mesurer le coin d'une boîte ou d'un cadre à l'aide d'un rapporteur. Par exemple, lorsqu'on mesure le coin d'une boîte à huit côtés, le rapporteur donne un angle de 135 degrés. Afin de déterminer le réglage approprié de l'onglet, il faut diviser l'angle mesuré par deux. Dans ce cas, l'angle approprié de l'onglet est de 67,5°. Régler cet angle sur l'échelle de 90°. Cette méthode est des plus pratiques dans le cas d'angles extraordinaires.

ÉCHELLE DU VERNIER

Pour plus de précision, la scie est munie d'une échelle du vernier. Cette dernière permet de régler précisément les onglets au 1/4 degré (15 minutes) le plus près. Voici comment on se sert de cette échelle.

(Il faut supposer dans cet exemple qu'on recherche un angle en onglet de 24 1/4 degrés à droite.)

1. Mettre la scie à onglets hors tension.
2. Régler l'angle de l'onglet au nombre entier le plus près de celui voulu en alignant la mention du centre de l'échelle du vernier (illustrée à la figure V1) sur le nombre entier inscrit sur l'échelle pour onglets. Examiner attentivement la figure V2; le réglage illustré est de 24 degrés sur la droite.
3. Pour régler le quart de degré additionnel, serrer le dispositif de verrouillage pour onglets et déplacer doucement l'indicateur vers la DROITE jusqu'à ce que la mention 1/4° de l'échelle du vernier s'aligne sur la mention de degrés LA PLUS PRÈS sur l'échelle pour onglets. Dans cet exemple, la mention de degrés la plus près sur l'échelle pour onglets correspond à 25°. La figure V2 montre un réglage d'onglet de 24 1/4 degrés à droite.

Lorsqu'il faut des fractions de degrés (1/4, 1/2 ou 3/4), aligner la mention voulue de l'échelle du vernier sur la mention LA PLUS PRÈS de l'échelle pour onglets, comme on le décrit plus bas. (La plaque en plastique du vernier porte des marques correspondant à 1/4, 1/2, 3/4 et 1 degré. Seuls les chiffres 1/2 et 1 y sont inscrits.)

COUPES EN ONGLETS À DROITE

Pour augmenter l'angle lors de coupes en onglets à droite, déplacer l'indicateur vers la droite de façon à aligner la mention appropriée de l'échelle du vernier sur la mention la plus près de l'échelle pour onglets. Pour diminuer l'angle lors de coupes en onglets à droite, déplacer l'indicateur vers la gauche de façon à aligner la mention appropriée de l'échelle du vernier sur la mention la plus près de l'échelle pour onglets.

FIG. 21

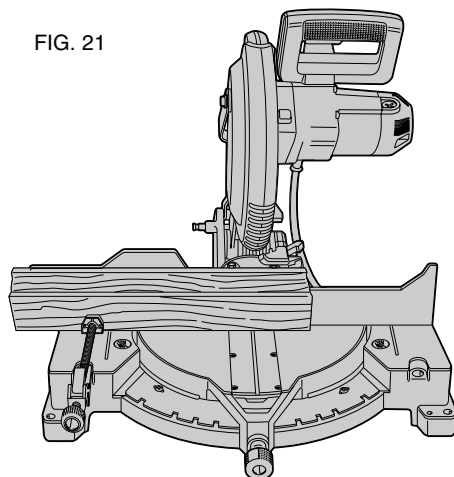


FIG. 22

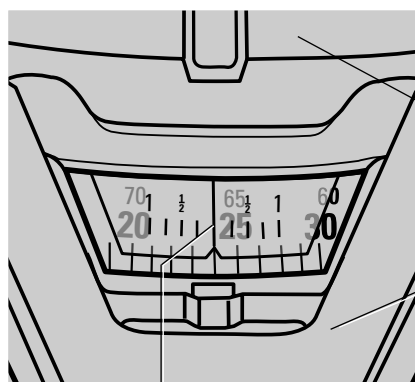
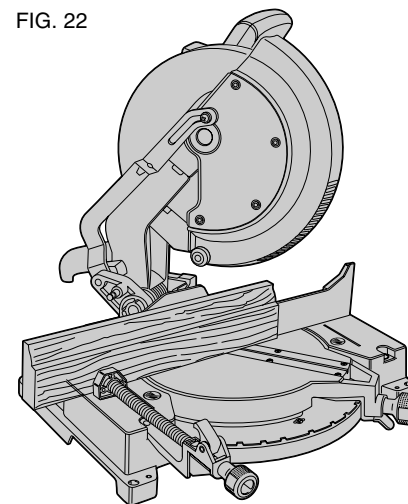


FIG. V1

PLAQUE RAINURÉE

INDICATEUR D'ONGLETS

LA MENTION DU CENTRE DE L'ÉCHELLE DU VERNIER S'ALIGNE SUR LE NOMBRE ENTIER VOULU DE L'ÉCHELLE POUR ONGLETS (24° À DROITE).

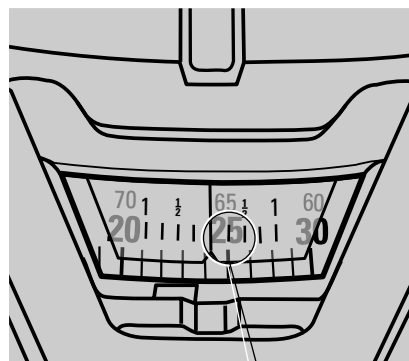


FIG. V2

LA MENTION 1/4° DE L'ÉCHELLE DU VERNIER S'ALIGNE SUR LA MENTION DU NOMBRE ENTIER LE PLUS PRÈS DE L'ÉCHELLE POUR ONGLETS (24 1/4° À DROITE).

COUPES EN ONGLETS À GAUCHE

Pour augmenter l'angle lors de coupes en onglets à gauche, déplacer l'indicateur vers la gauche de façon à aligner la mention appropriée de l'échelle du vernier sur la mention la plus près de l'échelle pour onglets. Pour diminuer l'angle lors de coupes en onglets à gauche, déplacer l'indicateur vers la droite de façon à aligner la mention appropriée de l'échelle du vernier sur la mention la plus près de l'échelle pour onglets.

MOULURES DE BASE

TOUJOURS FAIRE QUELQUES ESSAIS AVEC LA SCIE HORS TENSION AVANT D'EFFECTUER UNE COUPE.

Coupes droites à 90 degrés

Placer le bois contre le guide et le fixer en place de la façon illustrée à la figure 21. Mettre la scie en marche et attendre le plein régime de la lame, puis abaisser le moteur de la scie doucement dans le bois.

MOULURES DE BASE D'UNE HAUTEUR VERTICALE D'AU PLUS 98,4 mm (3 7/8 po) CONTRE LE GUIDE

- Placer la moulure de la façon illustrée à la figure 22.
- Toutes les coupes se font avec l'arrière de la moulure contre le guide et le dessous de la moulure contre le socle.

COIN INTÉRIEUR

Côté gauche

1. Onglet à gauche de 45°
2. Conserver le côté gauche de la coupe.

Côté droit

1. Onglet à droite de 45°
2. Conserver le côté droit de la coupe.

COIN EXTÉRIEUR

Côté gauche

1. Onglet à droite de 45°
2. Conserver le côté gauche de la coupe.

Côté droit

1. Onglet à gauche de 45°
2. Conserver le côté droit de la coupe.

On peut couper de la sorte des matériaux d'une épaisseur maximale de 98,4 mm (3 7/8 po). Pour les planches plus larges (jusqu'à 139,7 mm (5 1/2 po)), il faut apporter quelques changements.

Lorsqu'on coupe une planche entre 98,4 mm (3 7/8 po) et 139,7 mm (5 1/2 po) de largeur, le rouleau à l'extrémité du protecteur dépasse sur la planche. Dans ce cas, il suffit de déposer le pouce de la main droite sur le dessus du protecteur et de soulever ce dernier de façon à laisser passer la planche, comme le montre la figure 25. Lorsque la pièce se trouve sous le protecteur, on peut le relâcher et il restera ouvert pendant le reste de la coupe.

Lorsqu'on effectue une coupe en onglet du côté droit d'une moulure de base de plus de 98,4 mm (3 7/8 po) placée à la verticale contre le guide (comme c'est le cas dans la figure 22), la scie peut seulement découper la planche jusqu'à 25,4 mm (1 po) de l'extrémité de la planche. Lorsqu'on tente de couper plus loin, le boîtier d'engrenages de la scie se coince sur la pièce à travailler. Pour découper une moulure de base à la verticale entre 98,4 mm (3 7/8 po) et 139,7 mm (5 1/2 po), faire ce qui suit.

MOULURE DE BASE DE 98,4 mm À 139,7 mm (de 3 7/8 po À 5 1/2 po) PLACÉE À LA VERTICALE CONTRE LE GUIDE

- Placer la moulure de la façon illustrée à la figure 22.
- Il faut placer l'arrière de la moulure contre le guide.

COIN INTÉRIEUR

Côté gauche

1. Placer le dessous de la moulure contre le socle de la scie.
2. Onglet à gauche de 45°
3. Conserver le côté gauche de la coupe.

Côté droit

1. Placer le dessus de la moulure contre le socle de la scie.
2. Onglet à gauche de 45°
3. Conserver le côté gauche de la coupe.

COIN EXTÉRIEUR

Côté gauche

1. Placer le dessous de la moulure contre le socle de la scie.
2. Onglet à droite de 45°
3. Conserver le côté gauche de la coupe.

FIG. 23

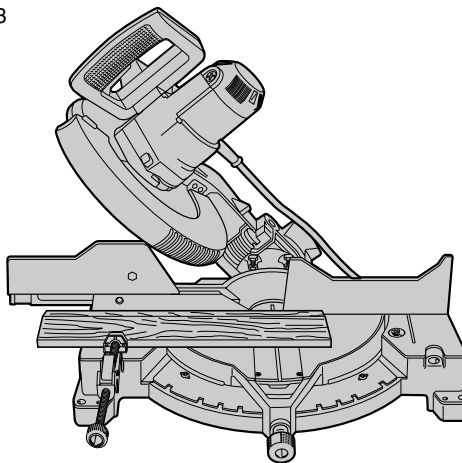


FIG. 24

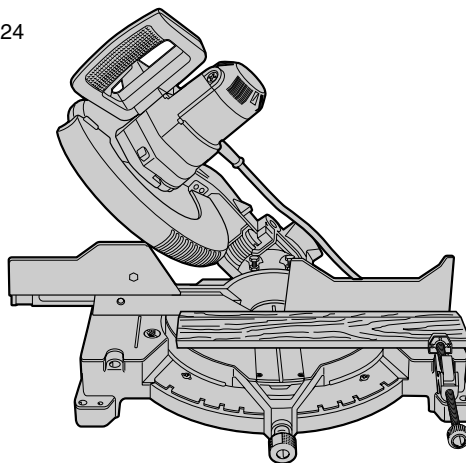
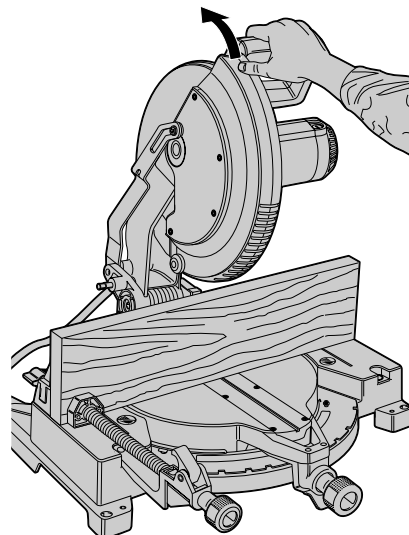


FIG. 25



REMARQUE : Lorsqu'il faut découper à plus de 25,4 mm (1 po) de l'extrémité de la moulure, découper la moulure à 90° à environ un peu plus de 25,4 mm (1 po) de la longueur finale, puis effectuer la coupe en onglet décrite précédemment.

Côté droit

1. Placer le dessous de la moulure contre le socle de la scie.
2. Onglet à gauche de 45°
3. Conserver le côté droit de la coupe.

Une troisième méthode pour arriver à faire la coupe nécessaire pour le croquis A consiste à faire une coupe en onglet de 0° et une coupe en biseau de 45°. La scie peut effectuer des coupes en biseaux d'une largeur de 200 mm (7 7/8 po).

MOULURE DE BASE PLACÉE À L'HORIZONTALE ET COUPE EN BISEAU

- Régler la scie à 45° en biseau et 0° en onglet.
- Il faut placer l'arrière de la moulure à l'horizontale sur la scie, comme le montrent les figures 23 et 24.

COIN INTÉRIEUR

Côté gauche

1. Placer le dessus de la moulure contre le guide.
2. Conserver le côté gauche de la coupe.

Côté droit

1. Placer le dessous de la moulure contre le guide.
2. Conserver le côté gauche de la coupe.

COIN EXTÉRIEUR

Côté gauche

1. Placer le dessous de la moulure contre le guide.
2. Conserver le côté droit de la coupe.

Côté droit

1. Placer le dessus de la moulure contre le guide.
2. Conserver le côté droit de la coupe.

CORNICHES

La scie à onglets convient mieux que tout autre outil à la coupe de corniches. Afin que la corniche s'ajuste bien, il faut la couper très précisément en onglets mixtes.

Les deux surfaces planes d'une pièce quelconque de corniche forment un angle qui équivaut exactement à 90° lorsqu'on les additionne. La plupart des moulures de couronne (mais pas toutes) ont un angle supérieur arrière (la section qui repose à plat contre le plafond) de 52° et un angle inférieur arrière (la partie qui va au mur) de 38°.

La scie est dotée de points spéciaux de verrouillage pour onglets préétablis à 31,62° à gauche et à droite afin de découper les corniches à l'angle approprié. Il y a également un point à 33,85° sur l'échelle pour biseaux.

Le tableau (page 29) donne les réglages appropriés pour la coupe de corniches. (Les chiffres pour le réglage des

onglets et des biseaux sont très précis et il est difficile de les régler avec précision sur la scie.) Puisque la plupart des pièces d'un édifice n'ont pas d'angles précisément à 90°, il faut régler la scie en conséquence.

IL EST ESSENTIEL DE FAIRE QUELQUES ESSAIS SUR DES MORCEAUX DE BOIS INUTILES!

DIRECTIVES RELATIVES À LA COUPE D'UNE CORNICHE À PLAT EN UTILISANT LES ONGLETS MIXTES

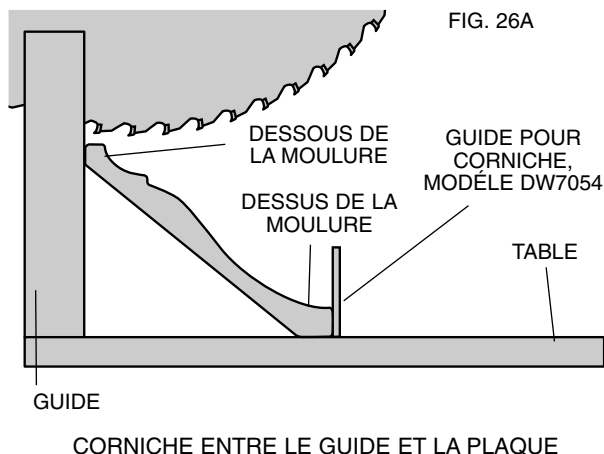
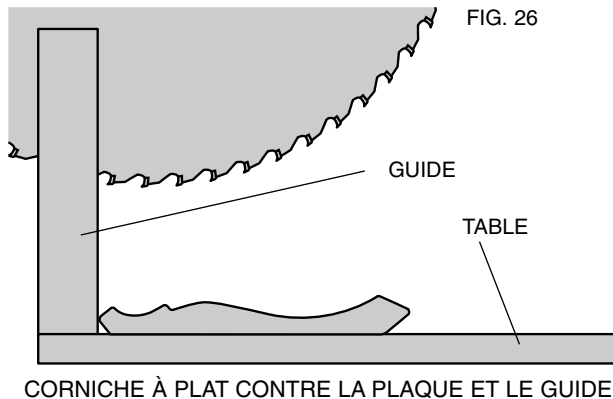
1. Corniche placée avec la partie arrière large à plat contre la plaque de la scie (fig. 26).
2. Les réglages suivants conviennent pour les corniches standard (É.-U.) à angles de 52° et de 38°.

RÉGLAGE DU BISEAU TYPE DE COUPE

33,85°	<p>CÔTÉ GAUCHE, COIN INTÉRIEUR</p> <ol style="list-style-type: none"> 1. Placer le dessus de la moulure contre le guide. 2. Régler l'onglet à 31,62° à droite. 3. Conserver le côté gauche de la coupe.
33,85°	<p>CÔTÉ DROIT, COIN INTÉRIEUR</p> <ol style="list-style-type: none"> 1. Placer le dessous de la moulure contre le guide. 2. Régler l'onglet à 31,62° à gauche. 3. Conserver le côté gauche de la coupe.
33,85°	<p>CÔTÉ GAUCHE, COIN EXTÉRIEUR</p> <ol style="list-style-type: none"> 1. Placer le dessous de la moulure contre le guide. 2. Régler l'onglet à 31,62° à gauche. 3. Conserver le côté droit de la coupe.
33,85°	<p>CÔTÉ DROIT, COIN EXTÉRIEUR</p> <ol style="list-style-type: none"> 1. Placer le dessus de la moulure contre le guide. 2. Régler l'onglet à 31,62° à droite. 3. Conserver le côté droit de la coupe.

Lorsqu'on règle les angles de biseau ou d'onglet pour toutes les coupes en onglets mixtes, il faut se rappeler des points suivants.

Les angles des corniches sont très précis et difficiles à régler. Il faut tester les réglages sur des bouts de bois inutiles afin de vérifier les réglages car très peu de pièces ont des coins exactement droits.



IL EST ESSENTIEL DE FAIRE QUELQUES ESSAIS SUR DES MORCEAUX DE BOIS INUTILES!

AUTRE MÉTHODE DE COUPE DE CORNICHE

Placer la moulure sur la table à un angle entre le guide et la plaque (fig. 26). Il est fortement conseillé d'utiliser la butée de corniche (modèle DW7054) en raison de sa précision et de sa commodité. La butée de corniche est vendue séparément chez les détaillants de la région. L'avantage de couper la corniche de cette façon consiste à ne pas se servir de la coupe en biseau. On peut alors modifier infiniment l'angle de l'onglet sans affecter l'angle du biseau. Ainsi, lorsqu'on a des coins autres que de 90°, on peut régler rapidement et aisément la scie pour les couper. Se servir de la butée de corniche pour maintenir l'angle de la moulure au mur.

CORNICHES PLACÉES EN ANGLE ENTRE LE GUIDE ET LE SOCLE DE LA SCIE

1. Placer le dessous de la moulure (la partie qui va au mur) contre le guide et le haut de la moulure contre le socle de la scie, comme le montre la figure 26a.
2. Les côtés plats en angle de la moulure doivent reposer à plat contre le guide et le socle de la scie.

COIN INTÉRIEUR

Côté gauche

1. Onglet à droite de 45°
2. Conserver le côté droit de la coupe.

Côté droit

1. Onglet à gauche de 45°
2. Conserver le côté gauche de la coupe.

COIN EXTÉRIEUR

Côté gauche

1. Onglet à gauche de 45°
2. Conserver le côté droit de la coupe.

Côté droit

1. Onglet à droite de 45°
2. Conserver le côté gauche de la coupe.

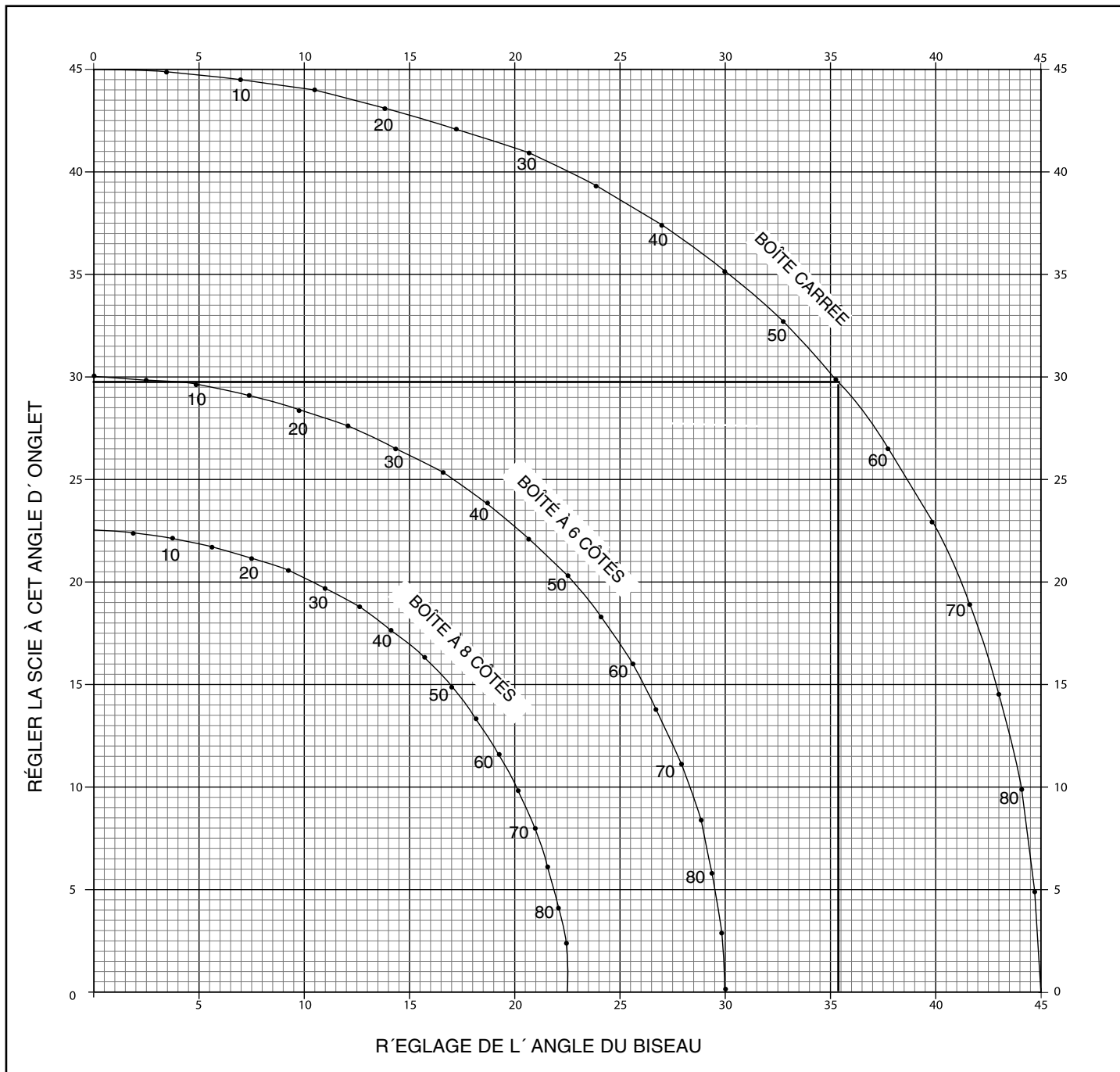
Coupes particulières

NE JAMAIS COUPER LE MATÉRIAU AVANT DE L'AVOIR BIEN FIXÉ.

Coupe de l'aluminium

La scie peut facilement couper des profilés d'aluminium comme ceux utilisés dans la fabrication de moustiquaires et de contre-fenêtres. Placer le matériau de façon à couper la partie transversale la plus mince, comme le montre la figure 27. La figure 28 illustre une façon incorrecte de découper ces profilés. Utiliser une bâton de cire lubrifiante pour couper l'aluminium. Appliquer le bâton de cire directement sur la lame de la scie avant la coupe. Ne jamais enduire de cire une lame en mouvement.

TABLEAU 1 ONGLETS MIXTES



La cire (vendue dans la plupart des quincailleries et des centres de fournitures industrielles) assure la lubrification adéquate de l'outil et empêche l'adhésion d'éclats à la lame.

Matériau arqué

Toujours placer les matériaux arqués de la façon illustrée à la figure 29 et non, comme à la figure 30. Lorsque le matériau n'est pas bien placé, il se coince sur la lame avant la fin de la coupe.

Tuyau en plastique

La scie coupe facilement les tuyaux en plastique. Ils se coupent comme le bois et il faut **BIEN LES FIXER AU GUIDE POUR LES EMPÊCHER DE ROULER**.

MATÉRIAU LARGE

Il arrive parfois qu'un matériau soit trop large pour s'insérer sous le protecteur de la scie. On peut ouvrir le protecteur de la façon illustrée à la figure 25. Il n'est pas recommandé de le faire mais, le cas échéant, la scie fonctionnera bien et fera la coupe plus large. **NE JAMAIS ATTACHER, FIXER À L'AIDE DE RUBAN ADHÉSIF NI RETENIR AUTREMENT LE PROTECTEUR EN POSITION OUVERTE LORS DE L'UTILISATION DE LA SCIE.**

Entretien

1. Tous les roulements sont des roulements à billes scellés. Ils sont lubrifiés en permanence et ne nécessitent aucun entretien.
2. Nettoyer régulièrement la poussière et les copeaux qui se trouvent autour ET AU-DESSOUS du socle et de la plaque tournante. Même s'il y a des fentes pour laisser passer les débris, ceux-ci s'accumulent.
3. Les balais sont conçus pour fonctionner pendant plusieurs années. Lorsqu'il faut les remplacer, suivre les directives de la page 23 ou confier la réparation de l'outil au centre de service de la région.

Réparations

Pour assurer la **SÉCURITÉ D'EMPLOI** et la **FIABILITÉ** de l'outil, n'en confier la réparation, l'entretien et les rajustements (y compris l'inspection et le remplacement des balais) qu'au personnel d'un centre de service DEWALT ou d'un atelier d'entretien autorisé n'utilisant que des pièces de rechange identiques.

Garantie limitée de trois ans

DEWALT réparera, sans frais, tout produit défectueux causé par un défaut de matériel ou de fabrication pour une période de trois ans à compter de la date d'achat. La présente garantie ne couvre pas les pièces dont la défectuosité a été causée par une usure normale ou l'usage abusif de l'outil. Pour obtenir de plus amples renseignements sur les pièces ou les réparations couvertes par la présente garantie, visiter le site www.dewalt.com ou composer le 1 800 433-9258 (1 800 4-DEWALT). Cette garantie ne s'applique pas aux accessoires et ne vise pas

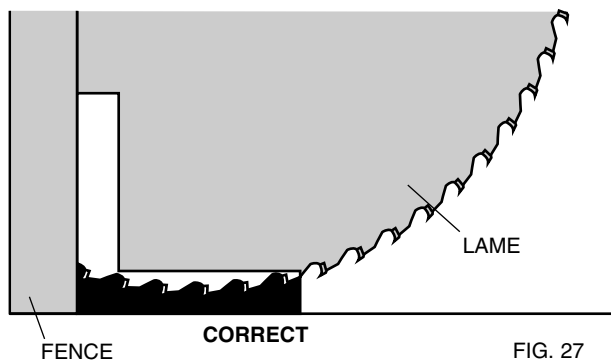


FIG. 27

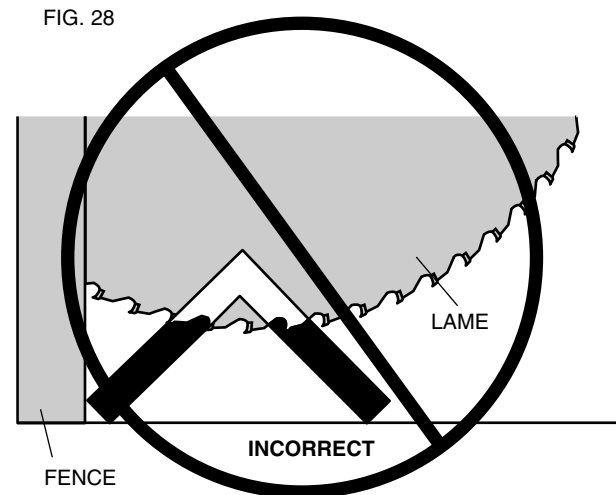


FIG. 29

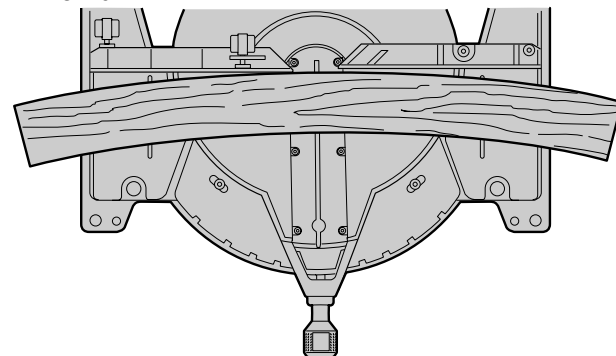
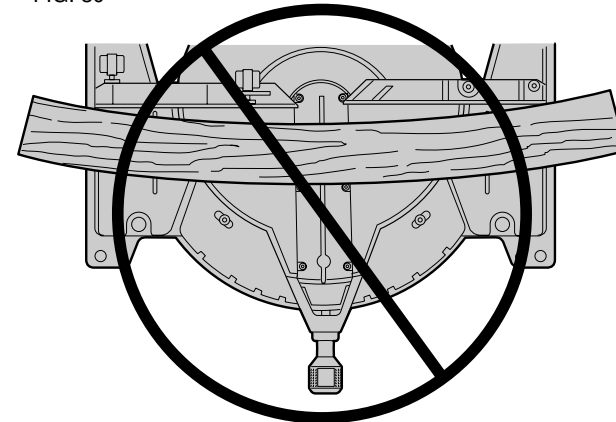


FIG. 30



les dommages causés par des réparations effectuées par un tiers. Cette garantie confère des droits légaux particuliers à l'acheteur, mais celui-ci pourrait aussi bénéficier d'autres droits variant d'un état ou d'une province à l'autre. En plus de la présente garantie, les outils DEWALT sont couverts par notre :

CONTRAT D'ENTRETIEN GRATUIT D'UN AN

DEWALT entretiendra l'outil et remplacera les pièces usées au cours d'une utilisation normale et ce, gratuitement, pendant une période d'un an à compter de la date d'achat, et la

GARANTIE DE REMBOURSEMENT DE 90 JOURS

Si l'acheteur n'est pas entièrement satisfait, pour quelque raison que ce soit, du rendement de l'outil électrique, du laser ou de la cloueuse DEWALT, celui-ci peut le retourner, accompagné d'un reçu, dans les 90 jours à compter de la date d'achat, pour obtenir un remboursement intégral, sans aucun problème.

PRODUIT RÉNOVÉ : Tout produit rénové est couvert par une garantie gratuite d'entretien d'un an. Les garantie de remboursement sous 90 jours et garantie limitée de trois ans ne s'appliquent pas aux produits rénovés.

REPLACEMENT GRATUIT DE L'ÉTIQUETTE : Si vos étiquettes d'avertissement deviennent illisibles ou sont manquantes, composez le 1-800-4-DEWALT pour obtenir une étiquette de remplacement gratuite.

Guide de dépannage

SE CONFORMER AUX MESURES DE SÉCURITÉ ET AUX DIRECTIVES.

PROBLÈME : LA SCIE NE DÉMARRE PAS.

VÉRIFIER SI :

1. La scie est branchée.
2. Le fusible a sauté ou le disjoncteur est enclenché.
3. Le cordon est endommagé.

4. Les balais sont usés.

SOLUTION

1. Brancher la scie.
2. Remplacer le fusible ou enclencher le disjoncteur.
3. Faire remplacer le cordon au centre de service autorisé.
4. Faire remplacer les balais au centre de service autorisé ou les remplacer selon les directives de la page 23.

PROBLÈME : LA SCIE NE COUPE PAS BIEN.

VÉRIFIER SI :

1. La lame est émoussée
2. La lame est installée à l'envers.
3. Il y a de la gomme ou de la poix sur la lame.

4. La lame ne convient pas à la coupe.

SOLUTION

1. Remplacer la lame (page 20).
2. La replacer à l'endroit (page 20).
3. Enlever la lame, la nettoyer avec de la térébenthine et une laine d'acier de gros calibre ou à l'aide d'un nettoyant à fours.
4. Remplacer la lame (page 20).

PROBLÈME : LA SCIE N'ATTEINT PAS SON PLEIN RÉGIME.

VÉRIFIER SI :

1. Le cordon de rallonge est de trop faible calibre ou
2. Appeler la compagnie d'électricité.
2. Le courant domestique est trop faible.

SOLUTION

1. Utiliser un cordon de dimensions appropriées il est trop long. (page 16)

PROBLÈME : LA SCIE VIBRE DÉMESURÉMENT.

VÉRIFIER SI :

1. La scie n'est pas bien installée sur le soutien ou sur l'établi.
2. Le soutien ou l'établi se trouve sur un plancher inégal.
3. La lame est endommagée.

SOLUTION

1. Serrer toutes les ferrures de montage (page 22).
2. Replacer sur une surface plane (page 22).
3. Remplacer la lame (page 20).

PROBLÈME : LA SCIE NE COUPE PAS BIEN LES ONGLETS.

VÉRIFIER SI :

1. L'échelle pour onglets est bien réglé.
2. La lame n'est pas perpendiculaire au guide.
3. La lame n'est pas perpendiculaire à la plaque.
4. La pièce à découper bouge.

SOLUTION

1. Vérifier et régler (page 22).
2. Vérifier et régler (page 22).
3. Vérifier et régler le guide (page 23).
4. Fixer la pièce au guide ou coller du papier abrasif de grain 120 sur le guide avec une dissolution.

PROBLÈME : LE MATÉRIAU SE COINCE SUR LA LAME.

VÉRIFIER SI :

1. On coupe un matériau arqué.

SOLUTION

1. Placer les matériaux arqués de la façon illustrée à la page 30.

Contenido

INSTRUCCIONES DE SEGURIDAD	33	INTERRUPTOR	41
DOBLE AISLAMIENTO/CLAVIJA POLARIZADA	33	CORTES CON SU SIERRA	41
INSTRUCCIONES DE SEGURIDAD ADICIONALES	34	CORTE DE TRAVES.....	41
CONEXION ELECTRICA	36	CORTE DE BISEL	41
DESEMPAQUE SU INGLETEADORA	36	CALIDAD DEL CORTE	42
FAMILIARICESE CON SU SIERRA.....	36	POSICION DE CUERPO Y MANOS	42
ESPECIFICACIONES	36	SUJECION DE LA PIEZA DE TRABAJO	42
ACCESORIOS OPCIONALES	36	SOPORTE PARA PIEZAS LARGAS	43
ACCESORIOS	37	CORTE DE MARCOS, CAJAS, Y PROYECTOS DE CUATRO LADOS	43
MONTAJE EN BANCO.....	37	CORTE DE MOLDURA Y OTROS MARCOS	43
INSTALACION DEL DISCO	37	CORTE DE INGLETE COMPUESTO	43
EXTENSIÓN LATERAL DE LA MESA (para algunos modelos)	39	ESCALA DOBLE DE INGLETE	44
AJUSTE DE LA GUARDA INFERIOR TRASERA	39	ESCALA VERNIER.....	44
TRANSPORTE DE LA SIERRA	39	CORTE DE ZOCLOS	44
AJUSTES	39	CORTE DE MOLDURAS DE REMATE	46
AJUSTE DE LA ESCALA INGLETE	39	CORTES ESPECIALES	47
AJUSTE DEL INDICADOR DE INGLETE	39	MANTENIMIENTO	47
INDICADOR DEL ÁNGULO DE CORTE	39	GARANTIA	48
AJUSTE DEL TOPE DE BISEL	39	GUIA PARA LA SOLUCION DE PROBLEMAS FRECUENTES	49
AJUSTE DE LA GUIA	40		
ACTUACION DE LA GUARDA Y VISIBILIDAD	40		
CARBONES	40		
OPERACION	41		

Instrucciones importantes de seguridad

⚠️ ADVERTENCIA: Es indispensable sujetarse a las precauciones básicas de seguridad, con la finalidad de reducir el peligro de incendio, choque eléctrico y lesiones personales, en todas las ocasiones en que se utilicen herramientas eléctricas. Entre estas precauciones se incluyen las siguientes.

LEA TODAS LAS INSTRUCCIONES

Doble aislamiento

Las herramientas DOBLEMENTE aisladas se han elaborado de manera integral con dos capas separadas de aislamiento eléctrico o una capa doble de aislamiento entre usted y el sistema eléctrico que contienen. Las herramientas construidas con este sistema de aislamiento no requieren conectarse a tierra. Como resultado su herramienta está equipada con una clavija de dos patas que le permite emplear cordones de extensión sin preocuparse por tener una conexión a tierra.

NOTA: El doble aislamiento no substituye a las precauciones normales de seguridad cuando se opera esta herramienta. La finalidad de este sistema de aislamiento es ofrecer a usted protección añadida contra lesiones resultantes de fallas en el aislamiento eléctrico interno de la herramienta.

⚠️ PRECAUCION: UTILICE SOLAMENTE REFACCIONES ORIGINALES CUANDO HAGA SERVICIO a cualquier herramienta. Repare o reemplace los cordones eléctricos dañados.

Clavijas polarizadas (DW705)

Se emplean clavijas polarizadas (con una pata más ancha que la otra) para reducir los riesgos de choque eléctrico. Cuando el cordón eléctrico cuente con este tipo de clavija, ajustará en un contacto polarizado solamente de una manera. Si la clavija no ajusta completamente en su contacto, invírtala. Si aún así no ajusta, llame a un electricista calificado para que le instale un contacto polarizado apropiado. No modifique o haga cambios en la clavija por ningún motivo.

Instrucciones de seguridad para todas las herramientas

- **CONSERVE LIMPIA LA ZONA DE TRABAJO.** Las superficies y los bancos con objetos acumulados en desorden propician los accidentes.
- **OTORGUE PRIORIDAD AL AMBIENTE DE TRABAJO.** No deje las herramientas eléctricas expuestas a la lluvia. No las utilice en lugares inundados o mojados. Conserve bien iluminada la zona de trabajo. No utilice la herramienta en presencia de líquidos o gases inflamables.
- **PROTEJASE CONTRA EL CHOQUE ELECTRICO.** Evite el contacto corporal con superficies aterrizadas, por ejemplo, tuberías, radiadores, antenas y gabinetes de refrigeración.
- **CONSERVE APARTADOS A LOS NIÑOS.** No permita que los visitantes toquen las herramientas o los cables de extensión. Los visitantes deben estar alejados del área de trabajo.
- **GUARDE LAS HERRAMIENTAS QUE NO EMPLEE.** Las herramientas que no se están utilizando deben guardarse en un lugar seco y elevado o bajo llave, fuera del alcance de los niños.
- **NO FUERCE LA HERRAMIENTA.** Esta cumplirá su función mejor y con más seguridad bajo las especificaciones para las que se diseñó.
- **EMPLEE LA HERRAMIENTA ADECUADA.** No fuerce a una herramienta pequeña o a sus dispositivos de montaje en un trabajo de tipo pesado. No emplee la herramienta en una tarea para la que no se diseñó.
- **VISTASE DE LA MANERA ADECUADA.** No tenga puestas ropas o artículos de joyería flojos, pues podrían quedar atrapados por las partes móviles de las herramientas.

Se recomienda el empleo de guantes de caucho y calzado antiderrapante cuando se trabaja al aire libre. Cúbrase bien la cabeza para sujetarse el pelo si lo tiene largo.

- **COLOQUESE ANTEJOS DE SEGURIDAD.** Póngase también una mascarilla contra el polvo si lo produce la operación que va a efectuar.
- **NO ABUSE DEL CABLE ELECTRICO.** Nunca levante la herramienta por el cordón ni tire de éste para desconectarlo del enchufe. Apártelo del calor y los objetos calientes, las sustancias grasosas y los bordes cortantes.
- **SUJETE FIRMEMENTE LOS OBJETOS SOBRE LOS QUE TRABAJE.** Utilice prensas o tornillos de banco para sujetar bien los objetos sobre los que va a trabajar. Esto ofrece mayor seguridad que sujetar los objetos con la mano, y además deja libres ambas manos para operar la herramienta.
- **NO SE SOBREEXTIENDA.** Conserve en todo momento bien apoyados los pies, lo mismo que el equilibrio.
- **CUIDE SUS HERRAMIENTAS.** Conserve sus herramientas bien afiladas y limpias para que funcionen mejor y con mayor seguridad. Obedezca las instrucciones de lubricación y cambio de accesorios. Inspeccione los cordones eléctricos con frecuencia y, si los encuentra dañados, hágalos cambiar o reparar en un centro de servicio autorizado. Revise también con frecuencia las extensiones eléctricas y reemplácelas si están dañadas. Conserve los mangos secos, limpios y libres de aceites y grasas.
- **DESCONECTE LAS HERRAMIENTAS.** Hágalo cuando no las emplee, antes de darles servicio y cuando vaya a cambiarles accesorios como seguetas, discos, brocas y otros dispositivos de corte.
- **RETIRE LAS LLAVES DE AJUSTE Y DE TUERCAS.** Adquiera el hábito de asegurarse de que se han retirado las llaves de ajuste de la herramienta antes de accionarla.
- **EVITE QUE LA HERRAMIENTA SE ACCIONE ACCIDENTALMENTE.** Nunca sostenga una herramienta con el dedo en el interruptor si se encuentra conectada a la corriente eléctrica. Asegúrese que el interruptor está en la posición de "apagado" antes de conectarla.
- **CABLES DE EXTENSION.** Utilice únicamente extensiones de 3 hilos con clavijas de 3 patas y tomas de corriente de 3 polos que acepten la clavija de la herramienta. Repare o reemplace los cables dañados. Asegúrese que su extensión esté en buenas condiciones. Cuando utilice un cordón de extensión, asegúrese de emplear uno con el calibre suficiente para soportar la corriente necesaria para su producto. Una extensión con calibre menor al necesario causará una caída en el voltaje de la línea, resultando en pérdida de potencia y sobre calentamiento. El cuadro siguiente muestra los calibres correctos para usarse de acuerdo con la longitud de la extensión y el amperaje especificado. Si tiene dudas, utilice el calibre siguiente, más pesado. Cuanto más pequeño el número de calibre del alambre, mayor la capacidad del cable.

Calibre mínimo requerido (AWG) para cables de extensión

Volts		Longitud total del cable de extensión (metros)	
120 V	0 - 7.5	7.6 - 15.2	15.3 - 21.5
240 V	0 - 15.2	15.3 - 30.4	30.5 - 60.8
			60.9 - 121.2

Amperaje en la placa de identificación

Más de	No más de	Calibre promedio del alambre			
		de			
0	- 6	18	16	16	14
6	- 10	18	16	14	12
10	- 12	16	16	14	12
12	- 16	14	12	No se recomienda	

- **EXTENSIONES PARA TRABAJOS A LA INTEMPERIE.** Cuando trabaje a la intemperie, utilice siempre cordones de extensión diseñados exclusivamente para esta finalidad y marcados así.
- **NO SE DISTRAIGA.** Concéntrese en lo que está haciendo. Recorra al sentido común. No opere ninguna herramienta si se encuentra fatigado.
- **REVISE LAS PIEZAS DAÑADAS.** Antes de emplear cualquier herramienta, es indispensable revisar con mucho cuidado si las guardas u otras partes dañadas podrán operar de manera adecuada para cumplir con su función. Verifique la alineación y sujeción de las partes móviles, las piezas rotas, el montaje y, cualesquiera otros detalles que pudieran afectar la operación de la unidad. Las guardas y otras partes que se encuentren dañadas deberán repararse o cambiarse. No utilice la herramienta si tiene inutilizado o estropeado el interruptor.
- **NUNCA DEJE LA HERRAMIENTA EN MARCHA SIN SUPERVISION. APAGUELA.** No deje la herramienta hasta que se pare completamente.

Instrucciones de seguridad adicionales para ingleteadoras

⚠ PRECAUCION: EL NO SEGUIR ESTAS INSTRUCCIONES PUEDE RESULTAR EN LESIONES Y EN DAÑO SERIO DE LA INGLETEADORA.

- **PROTEJA** la línea eléctrica con un fusible de retardo de al menos 15 amperes.
- **ASEGURESE** que el disco gira en la dirección indicada y que los dientes en la parte inferior apuntan hacia la parte trasera de la ingleteadora.
- **ASEGURESE** que las empuñaduras están bien sujetas antes de empezar cualquier operación.
- **ASEGURESE** de que todas tuercas del disco y de sujeción están limpias y que los lados interiores de los collarines están contra el disco. Apriete bien el tornillo de la flecha.
- **CONSERVE** el disco de la sierra afilado y en el lugar adecuado.
- **CONSERVE** las tomas de aire del motor libres de astillas y polvo.
- **SIEMPRE** use las guardas del disco.
- **CONSERVE** las manos fuera de la zona de corte.
- **APAGUE** la corriente, desconecte el cable y espere que pare el disco antes de reparar o ajustar la herramienta.
- **USE** soportes exteriores para piezas largas.
- **NO** intente utilizar la unidad con un voltaje diferente al designado.
- **NO** use la herramienta a menos que las empuñaduras estén bien apretadas.
- **NO** use discos más grandes o más pequeños de aquellos que se recomiendan.
- **NO** coloque ningún objeto contra el motor del ventilador para detener el motor.
- **NO** fuerce la acción de corte. (El atascamiento parcial o total del motor puede causar grandes daños. Deje que el motor alcance la velocidad máxima antes de cortar.)
- **NO** corte metales ferrosos (Aquellos con contenido de hierro o acero) ni materiales de albañilería.
- **NO** use discos abrasivos. El calor excesivo y las partículas abrasivas que generan dañan la sierra.
- **NO** permita que nadie se coloque detrás de la sierra.
- **NO** aplique lubricantes al disco cuando la sierra esté en funcionamiento.
- **NO** coloque sus manos en la zona de el disco cuando la ingleteadora esté conectada a la toma de corriente.
- **NO** use discos cuya capacidad nominal sea menor a 4800 rpm.
- **NO** corte piezas menores a 152,4 mm (6") sin prensar.
- **NO** use la ingleteadora sin las guardas en su lugar.
- **NO** realice ninguna operación a manos libres.
- **NO** se coloque alrededor o por detrás del disco.
- **NO** acerque las manos a menos de 15 cm (6") del disco.

- **NO** toque por debajo de la ingleteadora a menos de que este apagada y desconectada. El disco está expuesto en la parte inferior de la herramienta.
- **NO** mueva ninguna mano de la sierra o la pieza de trabajo, ni levante el brazo hasta que el disco se haya parado.
- **NO** utilice la sierra sin placa de respaldo o cuando la anchura de ésta mida más de 9.5 mm (3/8").

⚠ PRECAUCIÓN: Utilice la protección auditiva adecuada durante el uso de esta unidad. Bajo ciertas condiciones y duración de uso, el ruido producido por este producto puede contribuir a la pérdida auditiva.

⚠ PRECAUCION: No conecte la herramienta hasta que haya leído y entendido completamente estas instrucciones.

Para su comodidad y seguridad, se han colocado las siguientes etiquetas de advertencia en su ingleteadora.

⚠ ADVERTENCIA : Parte del polvo creado al lijar, aserruchar, moler o perforar con máquina, así como al realizar otras actividades de la construcción, contiene sustancias químicas que se sabe producen cáncer, defectos congénitos u otras afecciones reproductivas. Algunos ejemplos de esas sustancias químicas son:

- plomo de pinturas a base de plomo,
- sílice cristalizado de ladrillos y cemento y otros productos de albañilería, y
- arsénico y cromo de la madera químicamente tratada (CCA).

El riesgo al contacto con estas sustancias varía, según la frecuencia en que se haga este tipo de trabajo. Para reducir la exposición a esas sustancias químicas: trabaje en un área bien ventilada, y trabaje con equipos de seguridad aprobados, tales como máscaras contra el polvo especialmente diseñadas para filtrar las partículas microscópicas.

- **Evite el contacto prolongado con polvos originados por lijar, aserrar, esmerilar, taladrar y otras actividades constructivas. Vista ropas protectoras y lave las áreas expuestas con agua y jabón.** Permitir que el polvo se introduzca en su boca, ojos, o dejarlo sobre la piel promueve la absorción de químicos dañinos.

⚠ ADVERTENCIA: La utilización de esta herramienta puede generar polvo o dispersarlo, lo que podría causar lesiones graves y permanentes al sistema respiratorio, así como otros problemas. Siempre use protección respiratoria aprobada por NIOSH (Instituto Nacional de Seguridad y Salud en el Trabajo) u OSHA (Administración de Seguridad y Salud en el Trabajo) apropiada para la exposición al polvo. Dirija las partículas en dirección contraria a la cara y el cuerpo.

Para su conveniencia y seguridad, en las sierras de ingletes hay las siguientes etiquetas de advertencia.

SOBRE LA TAPA DEL MOTOR:

⚠ ADVERTENCIA: PARA SU PROPIA SEGURIDAD, LEA EL MANUAL DE INSTRUCCIONES ANTES DE UTILIZAR LA SIERRA.

FUNCIONAMIENTO DE LA SIERRA.

CUANDO REALICE EL MANTENIMIENTO, UTILICE TAN SÓLO REPUESTOS ORIGINALES.

UTILICE SIEMPRE UN PROTECTOR PARA SUS OJOS.

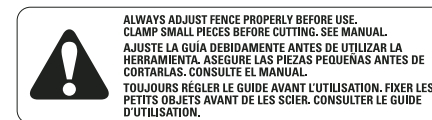
NO LA EXPONGA A LA LLUVIA NI UTILICE EN LUGARES HÚMEDOS.

EN EL PROTECTOR MÓBIL:

AJUSTE SIEMPRE EL PROTECTOR ANTES DE UTILIZAR LA HERRAMIENTA. Asegure las piezas pequeñas antes de cortarlas. Consulte el manual.

SOBRE EL PROTECTOR:

PELIGRO – MANTÉNGASE ALEJADO DEL DISCO DE CORTE



SOBRE LA PLACA DE SOPORTE DEL PROTECTOR:

ASEGURE CONVENIENTEMENTE LA ABRAZADERA CON AMBOS TORNILLOS ANTES DE SU UTILIZACIÓN.

SOBRE LA PLACA DE TRINQUETES: (2 PUESTOS)

APRIETE SIEMPRE LOS TORNILLOS DE AJUSTE ANTES DE SU UTILIZACIÓN. MANTENGA SUS MANOS A 6" DEL RECORRIDO DEL DISCO DE CORTE. NUNCA EJECUTE NINGUNA OPERACIÓN A PULSO. NUNCA CRUCE SUS BRAZOS FRENTE AL DISCO DE CORTE.

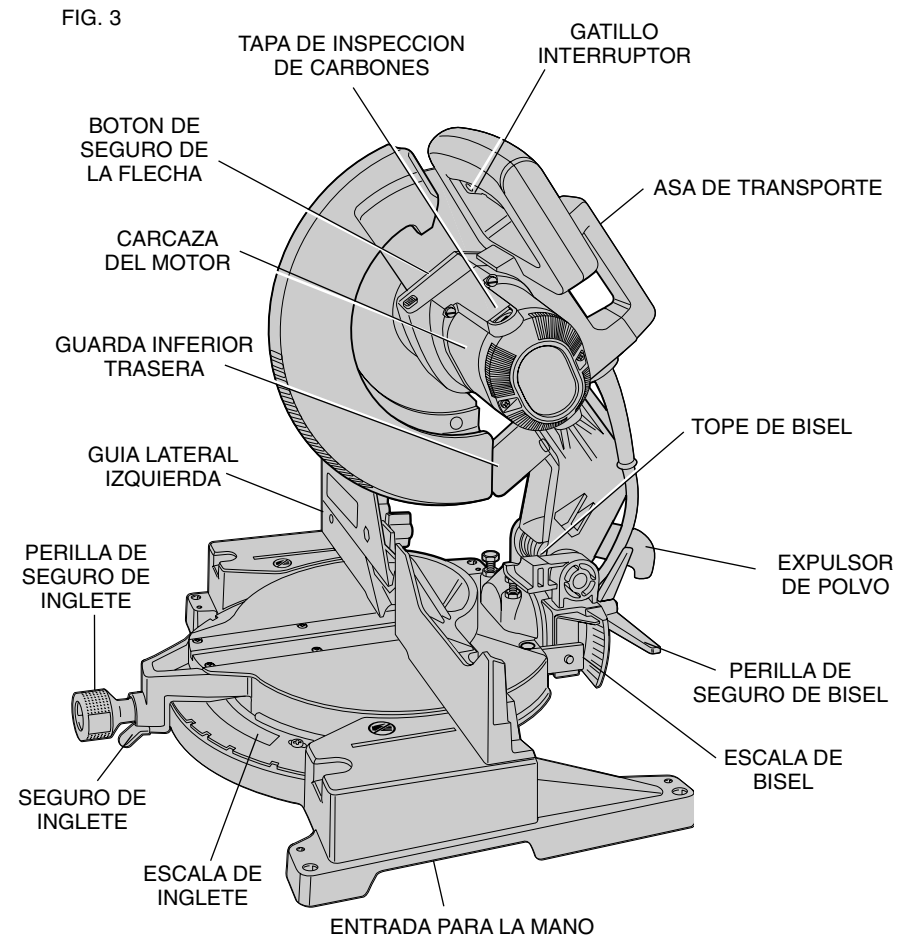
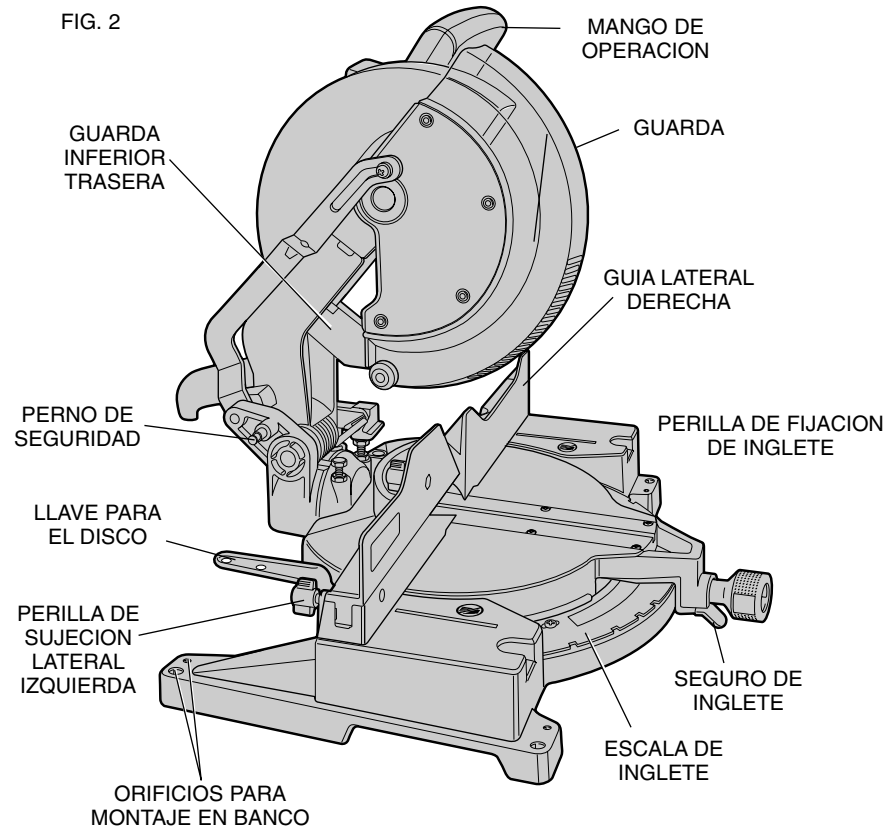
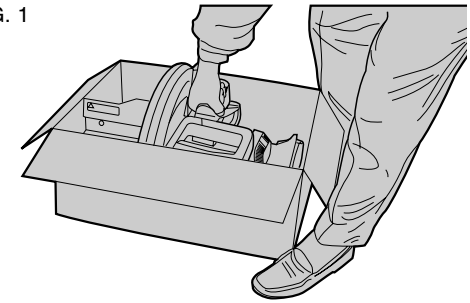
¡PIENSE! USTED PUEDE EVITAR LOS ACCIDENTES. NO REALICE NINGÚN CORTE SIN LOS PROTECTORES COLOCADOS EN SU LUGAR.

NUNCA COLOQUE SUS MANOS DETRÁS DEL DISCO DE LA SIERRA. APAGUE LA HERRAMIENTA, MANTENGA EL FRENTE DE LA SIERRA HACIA ABAJO Y ESPERE QUE ÉSTA SE DETENGA ANTES DE MOVER LAS MANOS, LA PIEZA DE TRABAJO O REALIZAR CUALQUIER AJUSTE.

DESCONECTE LA HERRAMIENTA ANTES DE CAMBIAR EL DISCO DE CORTE, DESPLAZAR LA UNIDAD O REALIZAR SU SERVICIO DE MANTENIMIENTO.



FIG. 1



Conexión eléctrica

Asegúrese de que la corriente eléctrica coincida con la indicada en la etiqueta. 220 volts, AC significa que su ingleteadora funciona con corriente alterna. Disminuciones al voltaje de 10% o mayores causarán pérdida de potencia y sobrecalentamiento. Todas las herramientas DEWALT están probadas de fábrica. Si esta herramienta no funciona, revise la fuente de alimentación.

Desempaque su ingleteadora

Revise el contenido de la caja de la ingleteadora para asegurarse de que ha recibido todas las piezas. Aparte de este manual de instrucciones, la caja deberá contener:

1. Una ingleteadora No. DW705
2. Un disco de 12" (305 mm) de diámetro.
3. Una llave para el disco en su estuche disco como muestra la figura 2.
4. Bolsa para polvo (para algunos modelos)
5. Extensión de un lado de la mesa de trabajo (para algunos modelos)

Familiarícese con su sierra

Su ingleteadora viene ensamblada (excepto por el disco) en la caja. Abra la caja y levante la ingleteadora por el asa de transporte, como muestra la figura 1.

Coloque la ingleteadora en una superficie lisa y plana como una mesa de trabajo u otra mesa sólida.

Examine las figuras 2 y 3 para familiarizarse con la ingleteadora y sus diferentes piezas. La sección de ajustes que se encuentra más adelante se referirá a estos términos y usted deberá saber qué piezas son y donde están.

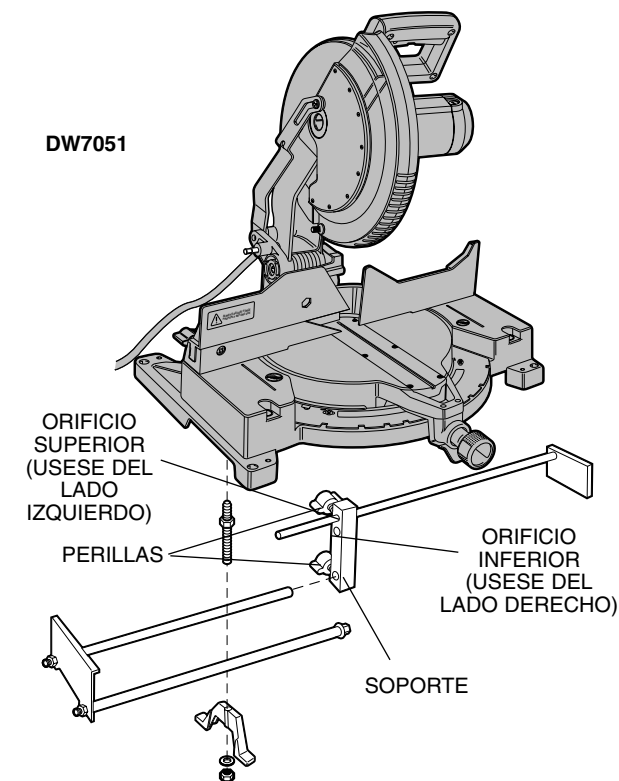
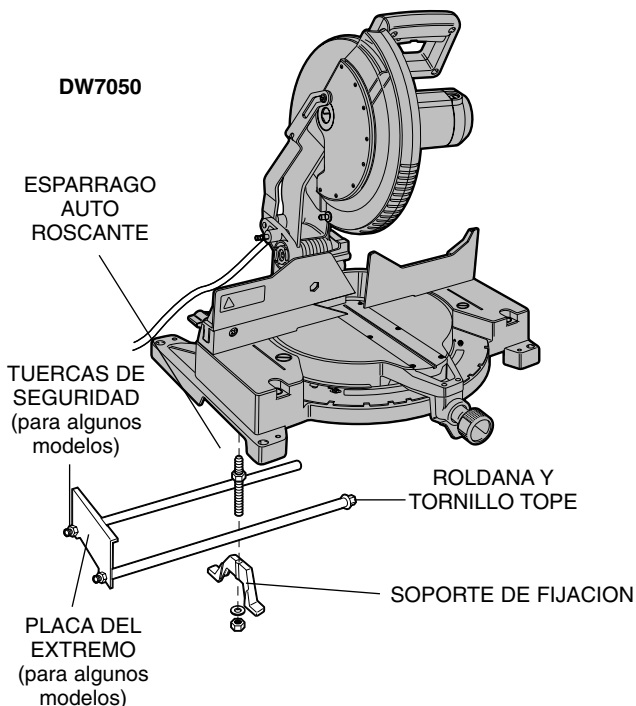
Presione ligeramente hacia abajo el mango de operación y tire del perno de seguridad, como muestra la figura 4. Libere suavemente la presión hacia abajo y permita que el brazo se eleve a su altura máxima. Use el perno de seguridad cuando transporte su sierra. Utilice siempre el asa de transporte para llevarla o las entradas para las manos como se observa en la figura 3.

Especificaciones

CAPACIDAD DE CORTE

Inglete de 48 grados a izquierda y derecha
Bisel de 48 grados izquierda: 3 grados derecha
Inglete de 0 grados

- Altura máxima 99 mm (3,9")
- Ancho resultante 149,8 mm (5,9")
- Ancho máximo 200 mm (7,9")
- Altura resultante 63 mm (2,5")
- Inglete de 45 grados
- Altura máxima 99 mm (3,9")
- Ancho resultante 104 mm (4,1")
- Ancho máximo 139 mm (5,5")



Altura resultante 63,5 mm (2,5")

Bisel de 45 grados

Altura máxima 68 mm (2,7")

Ancho resultante 149,8 mm (5,9")

Ancho máximo 200 mm (7,9")

Altura resultante 43 mm (1,7")

MANDO

Motor de 2000 watts de potencia de salida a 15 A

Engranajes de corte helicoidal con baleros de bolas

Disco de carburo de, 4000 rpm

Accesorios opcionales

Extensión, soporte de trabajo: DW7050

Se utiliza para sujetar piezas largas de trabajo, el soporte de trabajo es ensamblado por el usuario y se almacena bajo la mesa de la sierra. La mesa está diseñada para emplearse con dos soportes de trabajo; uno a cada lado.

Tope de longitud ajustable: DW7051

Requiere el uso de un soporte de trabajo (vea la figura). Se emplea para hacer cortes repetitivos de la misma longitud de 0 a 1,06 cm (0 a 42").

Prensa: DW7052 (page 37)

Se utiliza para sujetar el trabajo contra la guía en cortes de precisión.

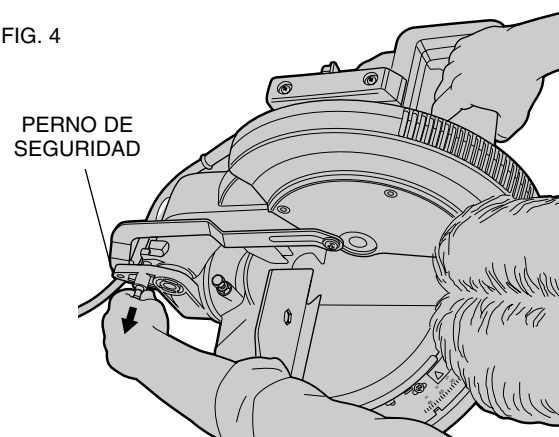
Bolsa para polvo

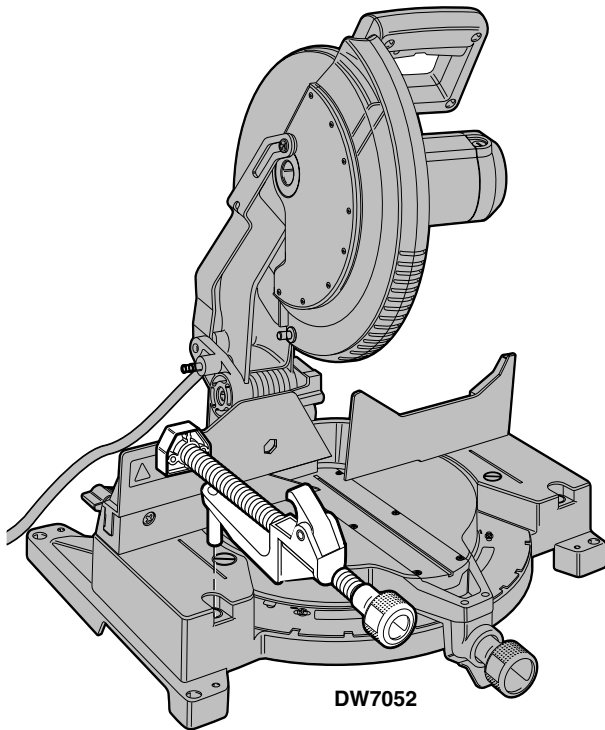
Equipada con una cremallera para vaciarla fácilmente, la bolsa recolectora acumula la mayoría del serrín producido.

Guía para molduras de remate: DW7054 (page 37)

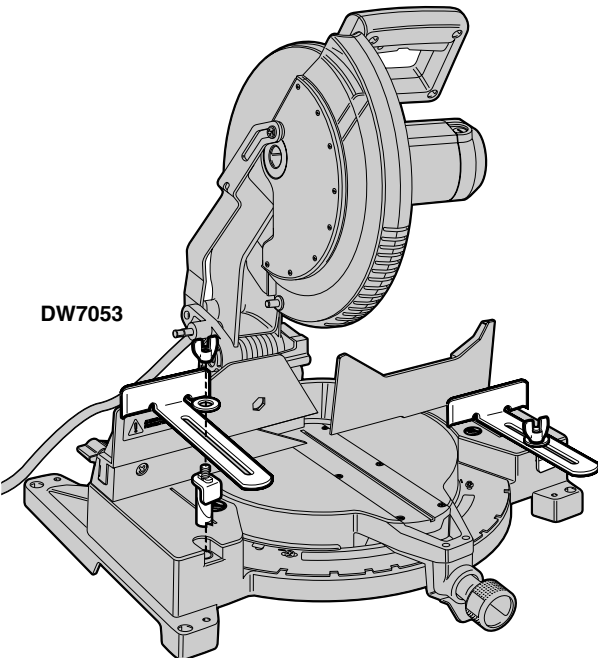
Se emplea en cortes de precisión para molduras de remate.

FIG. 4





DW7052



DW7053

CAT NO.	Aplicación	Desc. de cuchilla	Nº de dientes	Tipo de corte OF CUT
DW3128	Moldura fina	Placa delgada	80	Liso,, sin astillas
DW3228	Moldura fina	Plato grueso	80	Muy liso, sin astillas
DW7296	Moldura fina	Plato grueso	96	Ultra liso sin astillas
DW3123	Adornos, estructura	Placa delgada	32	Corte rápido
DW3224	Adornos, estructura	Plato grueso	48	Fines generales
DW3226	Arquitraves, adornos, estructura	Plato grueso	60	Corte de traba de liso
DW3229	Metales no ferrosos	Plato grueso especial de los dientes	80	Recta, sin virola

Accesorios

Los accesorios recomendados para emplearse con su herramienta están disponibles con costo adicional en los centros de servicio.

⚠ PRECAUCION: El uso de cualquier accesorio no recomendado para emplearse con esta herramienta puede ser peligroso.

Si necesita ayuda para encontrar cualquier accesorio, por favor comuníquese con DeWALT Industrial Tool Co., 701 East Joppa Road, Baltimore, MD 21286 o llame al teléfono 1-800-732-4441.

Montaje en banco

Las cuatro patas cuentan con orificios, como muestra la figura 2, para facilitar el montaje de mesa. (Hay dos tamaños diferentes de orificios para utilizar diferentes tamaños de tornillos. Utilice cualquiera de los orificios, no es necesario usar ambos.) Monte su sierra firmemente para evitar movimientos. Para aumentar la portabilidad de la herramienta, se puede montar en una pieza de madera contraplacada de 12,7 mm (1/2") o mayor espesor, que pueda ser prensada la mesa o llevarse a otros lugares de trabajo.

NOTA: Si elige montar su sierra en una pieza de madera, asegúrese que los tornillos de montaje no sobresalgan de la parte inferior de la madera. La tabla debe quedar nivelada sobre el soporte. Cuando sujete la sierra a cualquier superficie, hágalo siempre mediante los orificios de montaje. Si lo hiciera en otro lugar interferiría con el buen funcionamiento de la sierra.

⚠ PRECAUCION: Para evitar que la sierra se atasque y la falta de precisión, asegúrese que la tabla de montaje no esté desnivelada. Si la sierra se mueve sobre la superficie de trabajo, ponga un trozo de material debajo de una de las patas hasta que la sierra asiente bien sobre la superficie de trabajo.

INSTRUCCIONES DE SEGURIDAD IMPORTANTES

Cambio o instalación de una hoja nueva de sierra

⚠ PRECAUCIÓN:

- Nunca oprima el botón de traba de eje mientras la hoja esté en funcionamiento o en marcha por inercia.
- No utilice esta sierra ingletadora para cortar metales ferrosos (que contengan hierro o acero) o mampostería o productos de cemento de fibra.

Retiro de la hoja

1. Desenchufe la sierra.
2. Levante el brazo hasta la posición superior y levante la protección inferior (A) todo lo que sea posible.

Extensión lateral de la mesa (para algunos modelos)

ASEGÚRESE DE SEGUIR TODAS LAS INSTRUCCIONES DE SEGURIDAD DEL MANUAL DE INSTRUCCIONES DE SU SIERRA DE INGLETES.

DESCONECTE SU SIERRA DE INGLETES ANTES DE INSTALAR, AJUSTAR O RETIRAR LA EXTENSIÓN.

LA EXTENSIÓN PUEDE SER UTILIZADA EN CUALQUIERA DE LOS LADOS DE LA SIERRA.

La extensión suministrada viene instalada de fábrica en el lado izquierdo:

1. Instale el tornillo de ajuste automático en el orificio, por debajo de la sierra.
2. Instale la extensión tal como se muestra en la figura, asegurándose de que las abrazaderas del soporte sujeten las patas.
3. Apriete las abrazaderas contra las patas.

⚠ ADVERTENCIA: No levante, apoye o transporte la sierra de ingletes por medio de la extensión. El hacerlo puede causar la oscilación y la pérdida de control, produciendo así daños corporales.

NOTA: Antes de transportar la sierra de ingletes, retire la extensión o pliéguela dentro de la base.

Ajuste de la guarda inferior trasera

Revise la guarda inferior trasera para asegurarse que esté colocada de tal manera que el disco está en el centro y equidistante a cada lado, como muestran las figuras 6 y 7. Ajuste como sea necesario aflojando los dos tornillos y moviendo la guarda. Apriete firmemente ambos tornillos. **Nunca quite esta guarda.**

Transporte de la sierra

APAGUE Y DESCONECTE LA SIERRA ANTES DE MOVERLA O HACER CUALQUIER TIPO DE AJUSTE

Su sierra cuenta con un asa de transporte incorporada en la parte superior del brazo para transportarla de un sitio a otro, como muestra la figura 3. Para transportarla, baje el brazo y apriete el perno de seguridad como muestra la figura 4.

NOTA: El brazo de la sierra no se puede bajar del todo si la sierra tiene un disco instalado, a menos que la placa de corte haya sido ranurada. Si desea transportar la sierra antes de ranurar la placa de corte, quite el disco.

Ajustes

APAGUE LA SIERRA ANTES DE REALIZAR CUALQUIER AJUSTE

NOTA: Su sierra ha sido ajustada en fábrica con gran precisión. Si ésta requiere ser reajustada debido a algún problema ocasionado durante su envío, su manejo o por cualquier otra razón, siga los pasos descritos a continuación.

Una vez realizados los ajustes, éstos deben conservarse precisos. Tome el tiempo necesario para leer atentamente

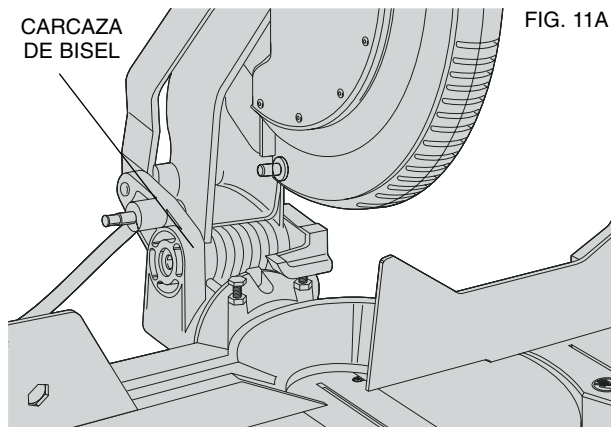


FIG. 11

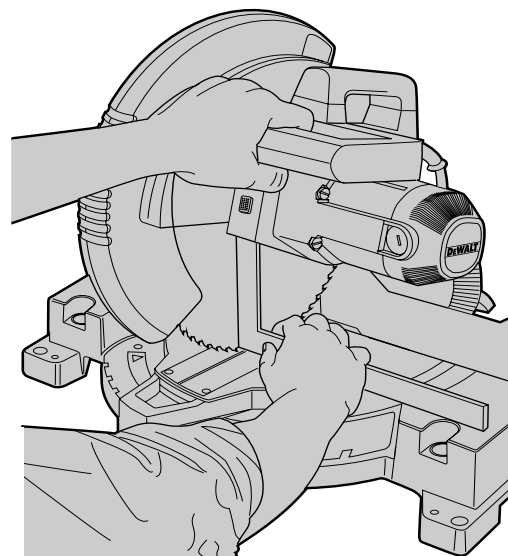
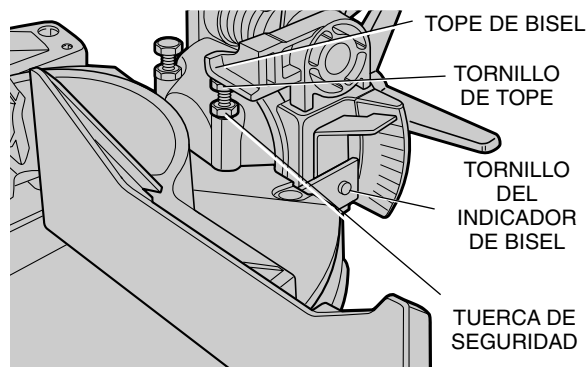


FIG. 12



estas instrucciones con el fin de asegurar la óptima precisión posible de su sierra.

AJUSTE DE LA ESCALA DEL INGLETE

Coloque una escuadra contra la guía y el disco de la sierra, como se muestra en la figura 8. (No toque las puntas de los dientes del disco con la escuadra; al hacerlo, usted obtendrá una medida imprecisa). Afloje la perilla de la abrazadera del inglete (figura 9) y gire el brazo de la sierra hasta que el pasador del inglete se asegure en la posición "0". No apriete la perilla de la abrazadera. Si el disco de corte no se encuentra exactamente perpendicular con relación a la guía, afloje los tres tornillos que sujetan la escala del inglete a la base (ver figura 9) y mueva el brazo de la escala a la izquierda o a la derecha hasta que el disco se encuentre perpendicular a la guía; utilice la escuadra para verificarlo. Apriete nuevamente los tres tornillos. Por el momento no preste atención al indicador de la escala.

AJUSTE DEL INDICADOR DE LA ESCALA

Afloje la perilla de la abrazadera del inglete y apriete el pasador del inglete para mover el brazo de la escala a la posición cero, como se muestra en la figura 9. Con la perilla de la abrazadera del inglete floja, permita que el pasador del inglete se ajuste en su sitio mientras que usted hace girar el brazo de inglete más allá de cero. Observe el indicador y la escala del inglete a través de la abertura que se muestra en la figura 10. Si el indicador no señala exactamente cero, desplácelo suavemente a la derecha o a la izquierda con un destornillador plano.

AJUSTE A ESCUADRA DEL ÁNGULO DE CORTE DEL DISCO

Para ajustar el disco de corte a escuadra con relación a la mesa giratoria, asegure el brazo hacia abajo. Coloque una escuadra contra el disco de corte evitando colocarla en la parte superior de los dientes, tal como se muestra en la figura 11. Afloje la perilla de la abrazadera del ángulo de corte de manera que pueda mover el brazo del ángulo de corte. Mueva el brazo del ángulo de corte de manera que el disco quede a un ángulo de cero grados con relación a la mesa. Si el brazo del ángulo de corte necesita ser ajustado, afloje la tuerca de seguridad del lado derecho del tope del ángulo de corte como se muestra en la figura 12, y ajuste lo necesario el tornillo de tope. Sostenga el tornillo de tope en su lugar y apriete la tuerca de seguridad.

INDICADOR DEL ÁNGULO DE CORTE

Si el indicador del ángulo de corte no señala cero, afloje el tornillo que lo sujeta en su sitio y muévelo tanto como sea necesario.

SUGERENCIA: El indicador del ángulo de corte es bastante ancho; para obtener mayor precisión, ajuste la flecha de manera que logre alinear su parte superior con el cero.

TOPE DEL BISEL

Para ajustar el tope del ángulo de corte a 45 grados, afloje primero las perillas de la abrazadera de la guía lateral

izquierda y deslícela hacia la izquierda tanto como sea posible. Mueva el brazo hacia la izquierda hasta que se detenga en el tornillo izquierdo de tope del ángulo de corte. Si el indicador del ángulo de corte no señala exactamente 45 grados, afloje la tuerca de seguridad del tope del lado izquierdo y gire el tornillo hacia abajo. Mueva el brazo hacia la izquierda y apriete firmemente la perilla de la abrazadera del ángulo de corte cuando el indicador señale 45 grados exactamente. Ajuste el tornillo de tope del ángulo de corte del lado izquierdo hacia arriba, hasta que haga contacto firme con el tope del ángulo de corte. Apriete de nuevo la tuerca mientras sujeta el tornillo para evitar que gire.

Para realizar un bisel de 3° a la derecha ó de 48° a la izquierda, los tornillos de tope deben ajustarse de manera que permitan el movimiento del brazo a la posición deseada. Después de efectuar los cortes, los toques del ángulo de corte deberán ser reajustados en las posiciones de 0 y 45 grados.

AJUSTE DE LA GUÍA

Apague y desconecte la ingleteadora

Para realizar un bisel con la sierra a 48 grados a la izquierda, el lado izquierdo de la guía debe ajustarse hacia la izquierda para dejar el paso libre. Para ajustar la guía, afloje la perilla de plástico como muestra la figura 13, y deslice la guía hacia la izquierda. Realice un corte de prueba con la sierra desconectada para verificar que el paso esté libre. Acerque la guía al disco tanto como sea posible con el fin de dar el máximo apoyo a la pieza de trabajo, sin interferir por ello con el movimiento vertical del brazo. Apriete con firmeza la perilla. Una vez terminados los cortes de bisel, no olvide volver a colocar la guía hacia la derecha.

NOTA: La ranura del lado izquierdo de la guía, ilustrada en la figura 14, puede bloquearse con aserrín. Si usted observa que se está atascando, utilice una vara o aire comprimido a baja presión para desatascarla.

FUNCIONAMIENTO Y VISIBILIDAD DEL PROTECTOR

El protector del disco de corte de su sierra ha sido diseñado para que se levante automáticamente cuando el brazo descende y para cubrir el disco cuando el brazo es levantado.

El protector puede ser levantado manualmente cuando se instalan o se retiran los discos de corte, o cuando se desea realizar una inspección de la sierra.

NUNCA LEVANTE EL PROTECTOR MANUALMENTE, A MENOS QUE LA SIERRA SE ENCUENTRE DESCONECTADA.

NOTA: Para realizar ciertos cortes especiales, puede que usted deba levantar manualmente el protector. Consulte la sección acerca del corte de molduras hasta de 3-7/8" de altura, en la página 44.

La sección frontal del protector cuenta con una persiana para facilitar la visibilidad mientras se realizan los cortes. Aunque dicha persiana reduce considerablemente el peli-

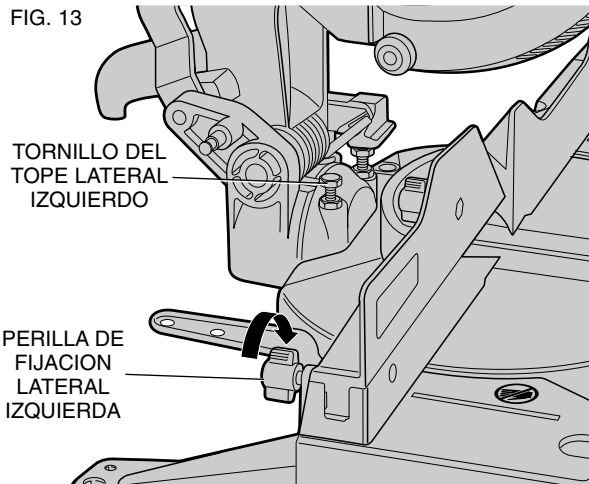


FIG. 14

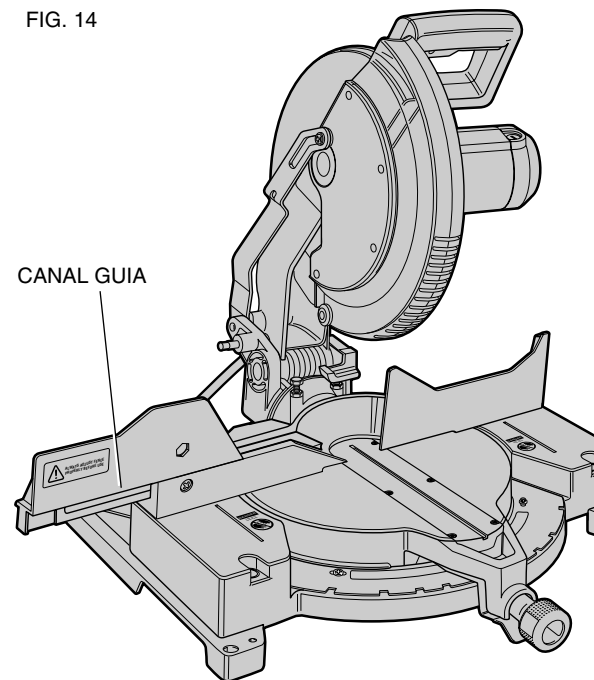
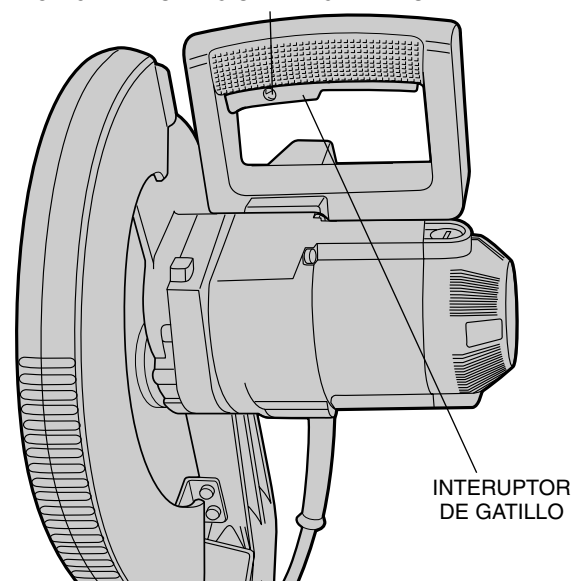


FIG. 15 ORIFICIO PARA CANDADO



gro asociado al lanzamiento de partículas, ésta tiene aperturas; por lo tanto, siempre que observe a través de las persianas, la utilización de un protector de ojos se hace necesaria.

FRENO ELÉCTRICO AUTOMÁTICO (PARA 120 VOLT. SOLAMENTE)

Su sierra está equipada con un freno eléctrico automático que detiene el disco de corte 5 segundos después de ser soltado el gatillo. Esta característica no es ajustable.

Ocasionalmente, puede presentarse un atraso entre la desactivación del gatillo y el engranaje del freno. En raras ocasiones es posible que el freno no se active y que el disco se detenga gradualmente.

Si se presenta esta demora o si falla este mecanismo, prenda y apague la sierra 4 ó 5 veces. Si la situación persiste, lleve la herramienta a un centro de servicio autorizado DeWALT para su verificación.

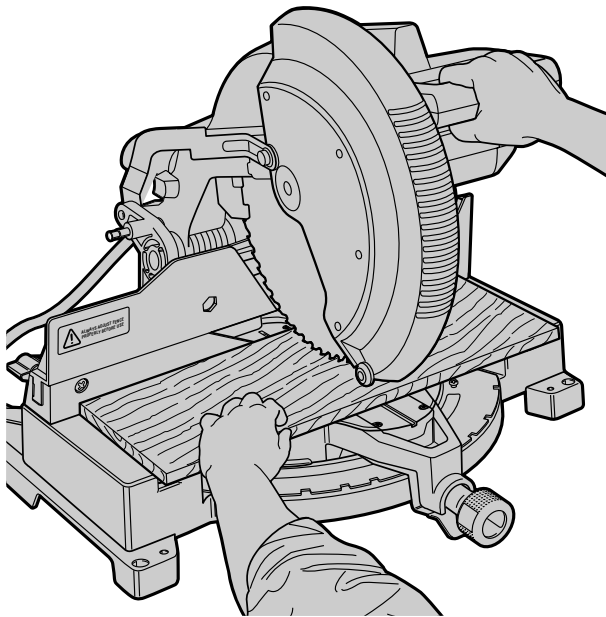
Asegúrese siempre de que el disco de corte se haya detenido completamente antes de retirarlo del corte. El freno no substituye a los protectores. Para garantizar su propia seguridad, preste a la sierra toda su atención.

Carbones

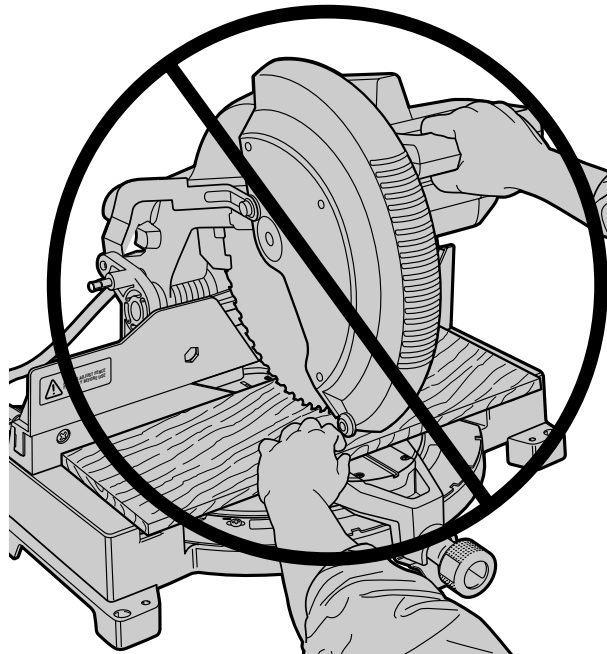
DESCONECTE LA CLAVIJA DE LA TOMA DE CORRIENTE

Revise los carbones regularmente desconectando la herramienta, quitando la tapa de inspección de los carbones (figura 3), y sacando el montaje del carbón. Conserve los carbones limpios y deslizándose libremente en sus guías. Reemplace siempre un carbón en la misma orientación que la que tenía anteriormente. Los carbones tienen varios símbolos grabados a los lados, si el carbón está des-

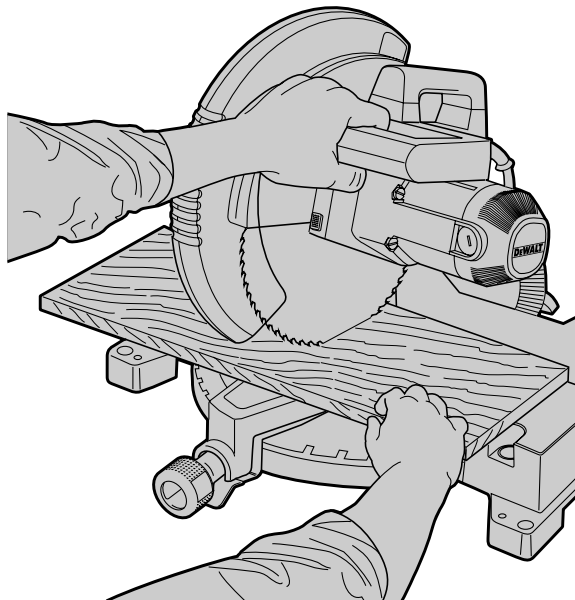
FIG. 16



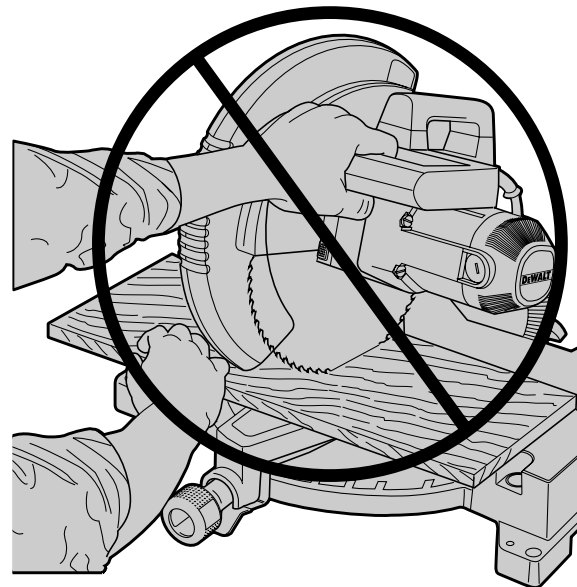
CORTE APROPIADO



CORTE INAPROPIADO



CORTE APROPIADO



CORTE INAPROPIADO

gastado hasta la línea más cercana al resorte, debe reemplazarse. Solamente emplee carbones DEWALT. El uso de carbones del grado correcto es esencial para el buen funcionamiento del freno eléctrico. La herramienta debe estar en marcha 10 minutos sin carga con los nuevos carbones antes de volver a usarse. El freno eléctrico puede funcionar de manera irregular hasta que los carbones estén bien asentados (algo desgastados).

Mientras la herramienta está en marcha NO ATE, PONGA CINTA, O ASEGURE EL INTERRUPTOR DE GATILLO. SOLAMENTE CONSERVELO OPRIMIDO CON LA MANO.

Operación

Conecte la sierra a cualquier toma de corriente de 220 volts a 60 Hz. Asegúrese de que el cable no interfiera con su trabajo.

INTERRUPTOR

Para encender la sierra, oprima el interruptor de gatillo como muestra la figura 15. Para apagarla, suelte el gatillo. No se puede asegurar el interruptor para operación continua, pero hay un orificio en el gatillo para un candado para asegurar la sierra.

CORTES CON SU SIERRA

NOTA: Aunque esta sierra cortará madera y muchos materiales no ferrosos, nos limitaremos solamente a corte de madera. Las mismas instrucciones se aplican a otros materiales. **NO CORTE MATERIALES FERROSOS (HIERRO Y ACERO) O MAMPOSTERIA CON ESTA SIERRA.** No utilice discos abrasivos.

CORTES DE TRAVES

Se realizan cortando la madera a través de la veta en cualquier ángulo. Un corte de través recto se hace con el brazo del inglete en la posición de cero grados. Ponga el brazo del inglete en cero, conserve la madera en la mesa y firmemente contra la guía. Encienda la sierra oprimiendo el interruptor de gatillo como ilustra en la figura 15.

Cuando la sierra alcance la velocidad máxima (aproximadamente en un segundo) baje el brazo lentamente para cortar a través de la madera. Deje que el disco se detenga por completo antes de levantar el brazo.

Los cortes de través de inglete se hacen con el brazo de inglete en un ángulo diferente a cero grados. Este ángulo es a menudo de 45 grados para esquinas, pero puede ponerse entre cero y 48 grados a la derecha o a la izquierda. Después de elegir el ángulo de inglete, no olvide de apretar la perilla del seguro de inglete. Haga el corte como se describió anteriormente.

CORTES DE BISEL

Un corte a bisel es un corte con el disco inclinado en relación con la madera. Para ajustar el bisel, afloje la perilla de seguro de bisel y mueva la sierra hacia la izquierda tanto como desee. (Es necesario mover el lado izquierdo de la guía para dejar paso como hizo bajo "Ajuste de tope de bisel").

Una vez de que se ajuste el ángulo de bisel, apriete la perilla de seguro de bisel firmemente.

Los ángulos de bisel pueden ser desde 3 grados a la derecha hasta 48 grados a la izquierda y se pueden cortar con el brazo del inglete ajustado entre 0 y 48 grados a la derecha o a la izquierda.

CALIDAD DEL CORTE

La lisura de cualquier corte depende de diferentes variables, como el material a cortar, tipo de disco, afilado de disco, paso de corte, todos contribuyen a la calidad de corte.

Cuando se desea hacer cortes suaves para molduras y otros trabajos de precisión, un disco afilado (de 60 dientes de carburo) y un paso más lento de corte producirán los resultados deseados.

Para asegurar de que el material no se mueva mientras se corta, prénselo en su lugar. Permita siempre que el disco se detenga antes de levantar el brazo.

Si se abren pequeñas fibras de madera en la parte trasera del trabajo, coloque una tira de cinta en la madera donde vaya a cortar. Corte a través de la cinta y cuando termine levántela con cuidado.

Para aplicaciones variadas de corte, consulte la lista de discos recomendados para su sierra y elija el que mejor se adapte a sus necesidades.

POSICION DE CUERPO Y MANOS (FIGURA 16)

La correcta posición de su cuerpo y manos cuando utilice la sierra hará el corte más fácil, más preciso, y más seguro. Nunca ponga sus manos en la zona de corte. No coloque las manos a menos de 152 mm (6") del disco. Apoye la pieza firmemente contra la mesa y la guía cuando corte. Conserve las manos en posición hasta que haya softado el botón y el disco se haya parado completamente. SIEMPRE HAGA UNA CARRERA DE PRUEBA SIN ENCHUFAR ANTES DE TERMINAR LOS CORTES, DE MANERA QUE PUEDA REVISAR EL CAMINO DEL DISCO. NO CRUCE LAS MANOS, COMO SE ILUSTRAN EN LA FIGURA 16.

Conserve ambos pies firmes en el suelo para mantener el equilibrio. Al mover el brazo de inglete a la derecha y izquierda sígalo y póngase a un lado del disco. Mire a través de las ranuras de la guarda cuando siga una línea de corte trazada con lápiz.

SUJECION DE LA PIEZA DE TRABAJO

Apague y desconecte la sierra

SUJETE LA MADERA A LA SIERRA SIEMPRE QUE SEA POSIBLE. Puede sujetar a cualquier lado del disco y recuerde sujetar la prensa contra una superficie sólida y plana de la guía. Para mejores resultados use la prensa DW7051 hecha para usarse con su sierra.

Cuando corte piezas pequeñas que requieran que su mano se acerque peligrosamente al disco (menos de 15 cm), DEBE usar una prensa para evitar la pérdida de control. La guía izquierda debe ajustarse para ayudar a la prensa.

FIG. 17

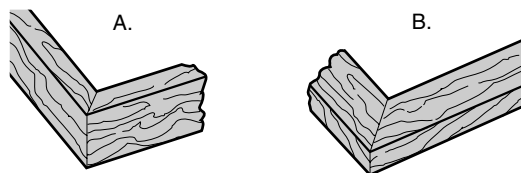


FIG. 18

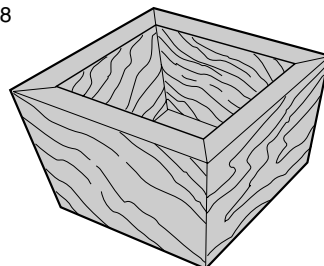


FIG. 19

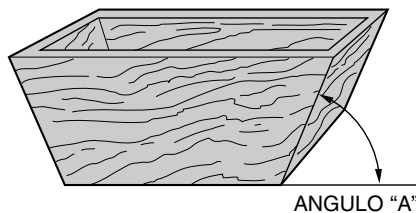


FIG. 20

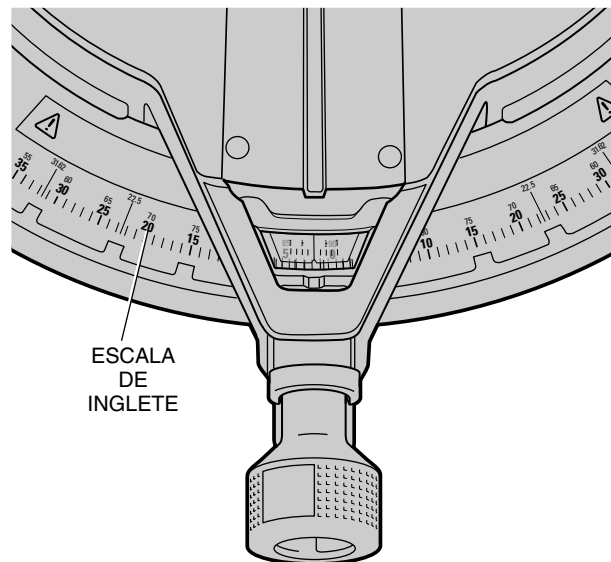


FIG. 21

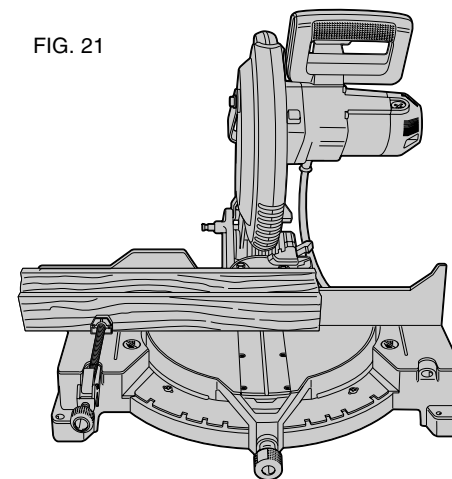
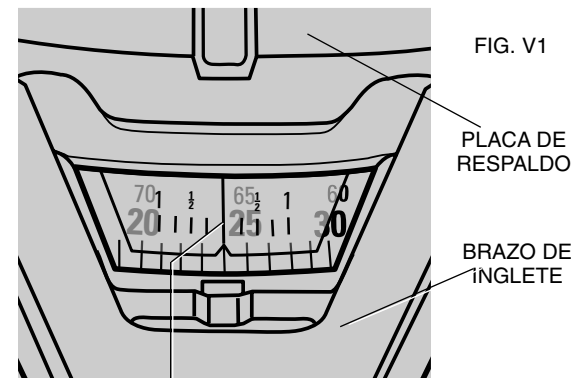
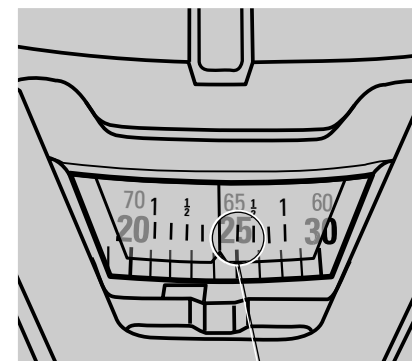


FIG. V1



LA MARCA CENTRAL DE LA ESCALA VERNIER SE ALINEA CON EL ENTERO DEL ANGULO DESEADO (INGLETE A LA DERECHA DE 24°)

FIG. V2



LA MARCA DE 1/4° SE ALINEA CON LA MARCA DE ENTERO MAS PROXIMA EN LA ESCALA DE INGLETE (24 1/4° DE INGLETE A LA DERECHA)

SOPORTE PARA PIEZAS LARGAS

Apague y desconecte la sierra

APOYE SIEMPRE LAS PIEZAS LARGAS

Para mejores resultados utilice el soporte de extensión DW7050 para extender el ancho de la mesa de su sierra. A su disposición con costo adicional con su distribuidor. Apoye las piezas largas con medios tales como caballetes o similares para evitar que los extremos se caigan.

CORTE DE MARCOS, CAJAS, Y OTROS PROYECTOS DE CUÁTR O LADOS

Para entender mejor como realizar los objetos que mencionamos, sugerimos que realice varios proyectos simples usando restos de madera hasta que llegue a "CONOCER" su sierra.

Su sierra es la herramienta perfecta para hacer ingletes en esquinas como muestra la figura 17. El dibujo "A" de la figura 17 nos muestra un ensamble elaborado valiéndose del ajuste para biselar los bordes de ambas tiras a 45 grados entre sí para producir una esquina de 90 grados. Para esta unión, el brazo de inglete se aseguró en la posición cero y el ajuste de bisel se ajustó a 45 grados. La madera se colocó con la parte ancha y plana contra la mesa y el extremo derecho contra la guía. El corte se pudo haber hecho también con inglete izquierdo y derecho con la superficie ancha contra la guía.

CORTE DE MOLDURAS Y OTROS MARCOS

El dibujo B de la figura 17 muestra un ensamble hecho con el brazo de inglete a 45 grados para que las dos piezas formen una esquina de 90 grados. Para hacer este tipo de unión ponga el ajuste de bisel en cero y el brazo de inglete a 45 grados. De nuevo, ponga la madera con la parte ancha contra la mesa y el extremo recto contra la guía.

Los dos dibujos de la figura 17 se aplican únicamente a objetos de cuatro lados.

Al cambiar el número de lados, cambian también los ángulos de inglete y bisel. La lista que aparece a continuación proporciona los ángulos correctos para diversas formas.

(La lista asume que todos los lados son del mismo tamaño). Para figuras que no se incluyan en la lista, aplique la siguiente fórmula: 180 grados divididos entre el número de lados, da como resultado el ángulo de inglete o bisel.

-EXAMPLES-

No de angulo de lados inglet o bisel	
4	45°
5	36°
6	30°
7	25°
8	22,5°
9	20°
10	18°

FIG. 22

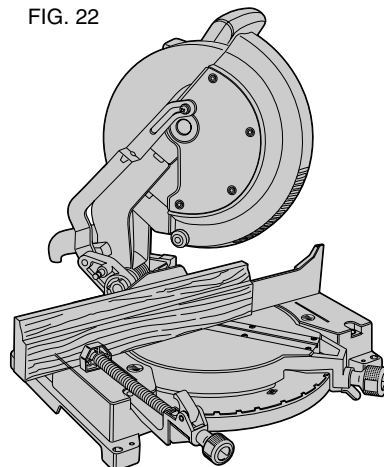


FIG. 23

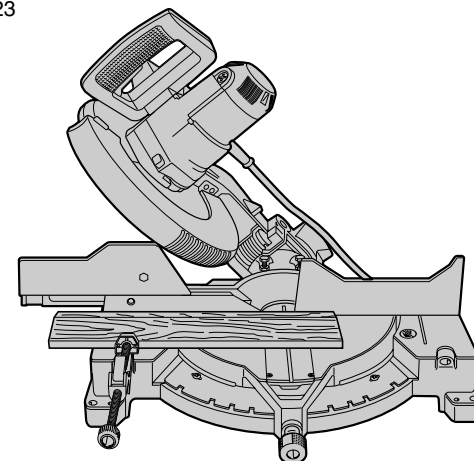


FIG. 24

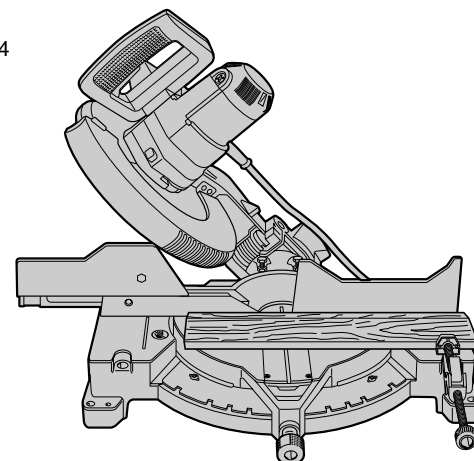
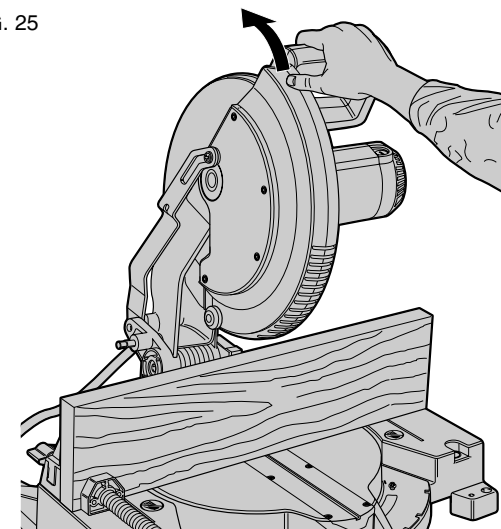


FIG. 25



CORTE DE INGLETE COMUESTO

El inglete compuesto es un corte hecho usando un ángulo de inglete y un ángulo de bisel. Este es el tipo de corte que se utiliza para hacer marcos o cajas como el que muestra la figura 18.

NOTA: Si el ángulo a cortar varía de una operación a otra, revise que las perillas de ajuste de bisel y de seguro de inglete están bien apretadas. Estas perillas deben apretarse después de hacer cambios de bisel o inglete.

La tabla de la página 45 le asistirá para elegir la posición correcta del inglete y bisel para cortes de inglete compuesto comunes. Para usar la tabla, elija el ángulo deseado "A" (figura 19) de su proyecto y ubique ese ángulo en el arco apropiado de la tabla. Desde ese punto, siga la tabla hacia abajo para encontrar el ángulo de bisel correcto y mire al otro lado para encontrar el ángulo de inglete correcto.

AJUSTE SU SIERRA EN LOS ÁNGULOS APROPIADOS Y HAGA ALGUNOS CORTES DE PRUEBA. PRACTIQUE ENSAMBLANDO LAS PIEZAS CORTADAS HASTA QUE SE ACOSTUMBRE A ESTE PROCEDIMIENTO.

Ejemplo: Para hacer una caja de cuatro lados con ángulos exteriores de 25° (ángulo A, figura 19) utilice el arco superior derecho. Encuentre 25 grados en la escala de arco, siga la línea horizontal para obtener la posición del ángulo de inglete en la sierra (23°). De la misma manera, siga la línea vertical hacia arriba o hacia abajo para obtener la posición del ángulo de bisel en la sierra (40°). Haga siempre cortes de prueba en madera de desperdicio para verificar las selecciones de ángulos en la sierra.

ESCALA DOBLE DE INGLETE

La escala de inglete tiene dos niveles de números para mayor comodidad, como muestra la figura 20. Una escala indica 0 grados cuando el disco está en escuadrada con respecto a la guía. En esta posición la otra escala está a 90 grados.

La escala de 0 grados (los números mayores más cerca al extremo frontal) se emplea para calcular ángulos. Para calcular el ángulo divida 180° entre el número de lados de la caja o marco. Refiérase a la lista de la página 43 para ver algunos ejemplos.

La escala de 90 grados (los números menores detrás de la escala de 0 grados) se utiliza cuando una esquina de la caja o marco se mide con un transportador. Por ejemplo si mide la esquina de una caja de ocho lados el transportador marcará 135° . Para determinar la posición correcta del ángulo, divida el ángulo entre dos. La posición de inglete correcta de inglete en este ejemplo es $67,5^\circ$. Ajuste este ángulo en la escala de 90 grados. Esto es muy útil cuando una de las esquinas tiene un ángulo peculiar.

ESCALA VERNIER (FIG. V1, V2)

Su sierra está equipada con una escala Vernier para mayor precisión. La escala Vernier le permite ajustar con precisión ángulos de inglete a $1/4$ de grado (15 minutos). Para usar esta escala, siga las instrucciones indicadas a continuación.

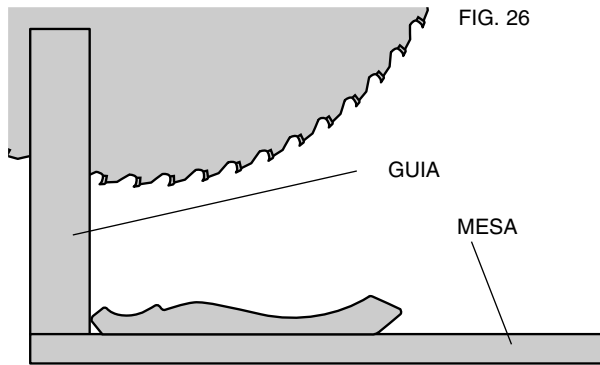
(Como ejemplo, asuma que el ángulo en que quiere hacer el inglete es $24,25$ grados a la derecha.)

1. Apague la sierra.
2. Coloque el ángulo de inglete hacia la unidad entera más cercana deseada, alineando la marca del centro en la escala Vernier, como muestra la figura V1, con el número entero de grado grabado en la escala de inglete. Examine la figura V2; la posición mostrada es de 24 grados a la derecha.
3. Para añadir $1/4$ de grado, oprima el seguro del brazo de inglete y muévelo con cuidado hacia la DERECHA hasta que la marca Vernier de $1/4$ de grado coincida con la marca de grado MAS CERCANA en la escala de inglete. En nuestro ejemplo, la marca de grado más cercana a la escala de inglete es 25 grados. La figura V2 muestra la posición de $24,25^\circ$ de inglete derecho.

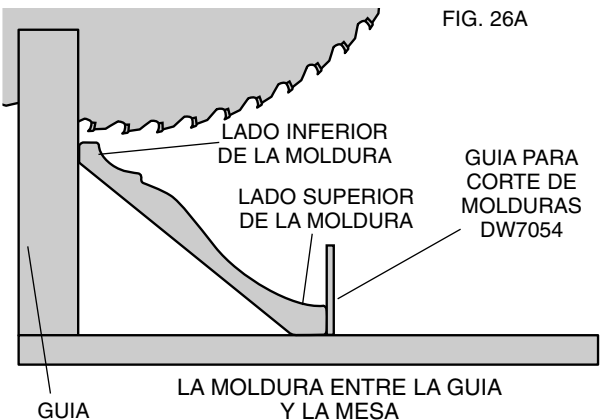
Para selecciones que requieren grados parciales ($1/4$, $1/2$, $3/4$ de grado) deje alineada la marca Vernier deseada con la marca de grado MAS CERCANA de la escala de inglete, como se describe enseguida (la placa de Vernier de plástico está grabada con marcas de $1/4$, $1/2$, $3/4$ y 1 grado. Sólo la de medio grado y 1 grado están marcadas numéricamente).

CORTE DE INGLETE A LA DERECHA

Para incrementar el ángulo de inglete cuando se hace un corte de inglete a la derecha, mueva el brazo para alinear la marca Vernier apropiada con la marca más cercana de la escala de inglete a la derecha. Para disminuir el ángulo



LA MOLDURA PLANA EN LA MESA Y CONTRA LA GUIA



LA MOLDURA ENTRE LA GUIA Y LA MESA

de inglete, mueva el brazo para alinear la marca Vernier apropiada con la marca más cercana a la escala de inglete a la izquierda.

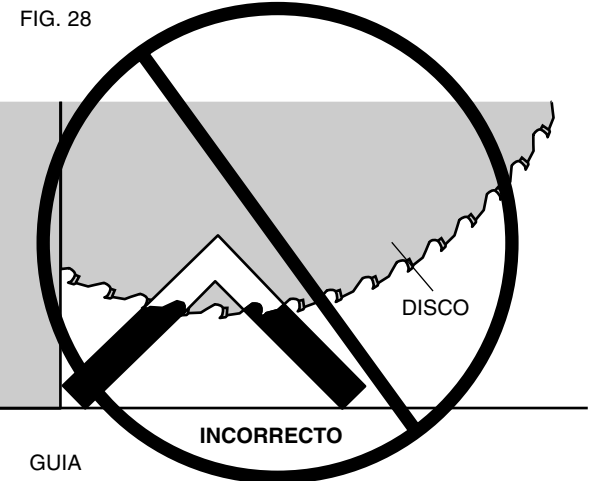
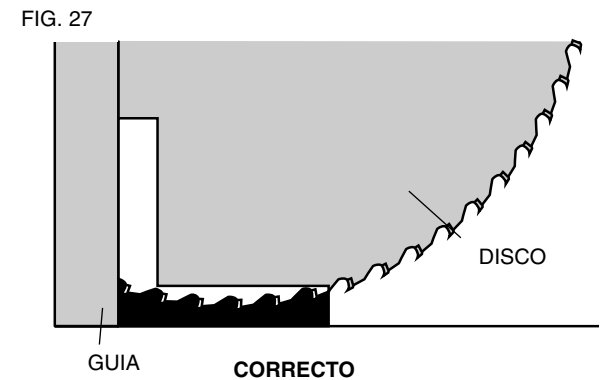
CORTE DE INGLETE A LA IZQUIERDA

Para incrementar el ángulo de inglete cuando se hace un corte de inglete a la izquierda, mueva el brazo para alinear la marca Vernier apropiada con la marca más cercana de la escala de inglete a la izquierda. Para disminuir el ángulo de inglete, mueva el brazo para alinear la marca Vernier apropiada con la marca más cercana a la escala de inglete a la derecha.

CORTE DE ZOCLOS

HAGA SIEMPRE UNA CORRIDA DE PRUEBA SIN ENCENDER LA UNIDAD ANTES DE HACER UN CORTE Cortes rectos a 90 grados –

Coloque la pieza contra la guía y sujétela como muestra la figura 21. Encienda la sierra, permita que el disco alcance la velocidad máxima y baje el brazo lentamente para el corte.



CORTE VERTICAL DE ZOCLOS CON UNA ALTURA HASTA DE 98,4 mm (3 7/8") CONTRA LA GUIA

Coloque la moldura como muestra la figura 22. Todos los cortes se efectúan con la parte trasera de la moldura contra la guía y la parte inferior contra la base.

ESQUINA INTERIOR:

Lado izquierdo:

1. Inglete izquierdo 45°
2. Conserve la parte izquierda del corte

Lado derecho

1. Inglete derecho 45°
2. Conserve la parte derecha del corte

ESQUINA EXTERIOR:

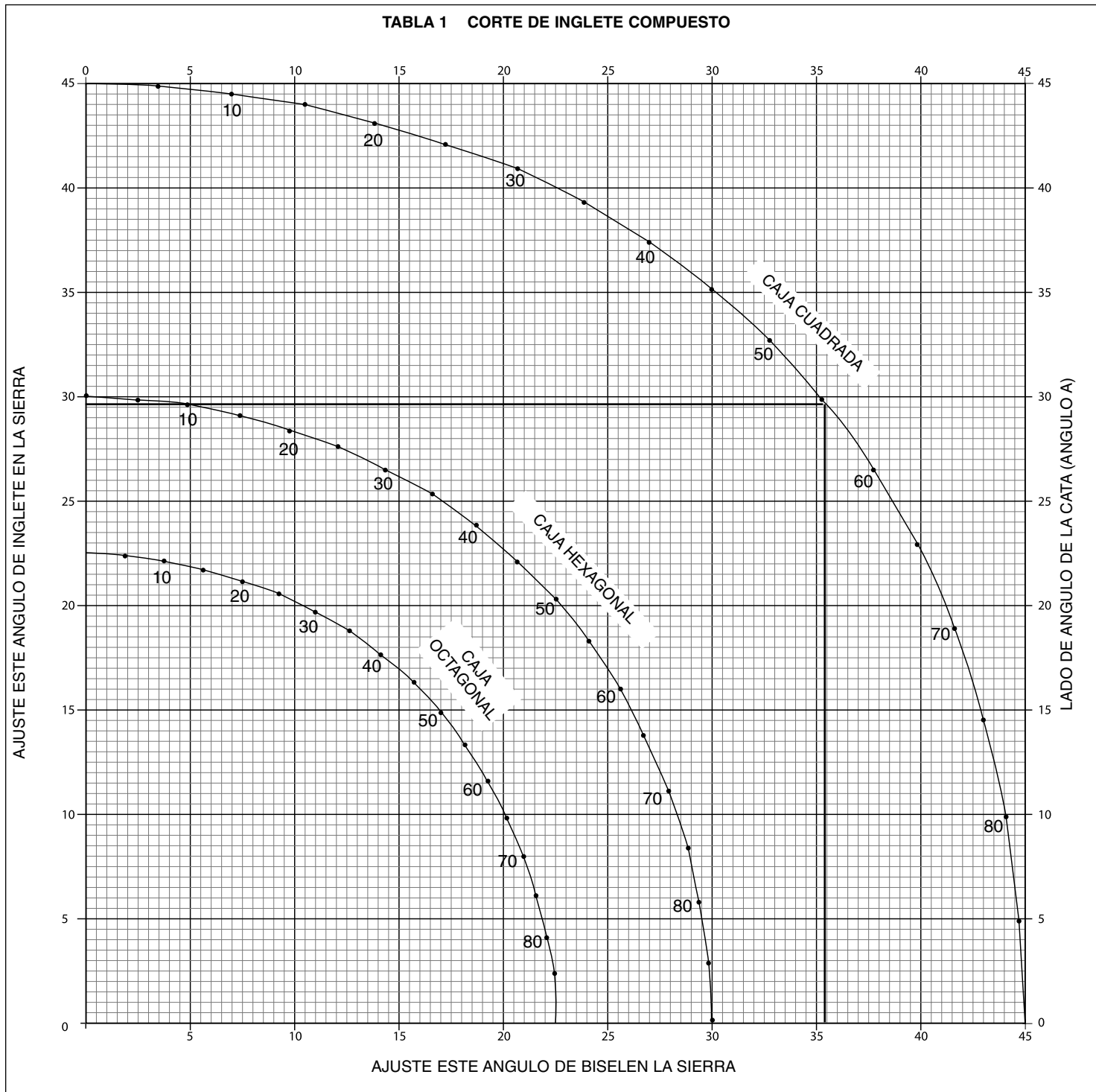
Lado izquierdo:

1. Inglete derecho a 45°
2. Conserve la parte izquierda del corte

Lado derecho:

1. Inglete izquierdo a 45°
2. Conserve la parte derecha del corte

TABLA 1 CORTE DE INGLETE COMPUESTO



Se puede cortar material de hasta 98,4 mm (3 7/8") de espesor como se describe arriba. Para tablas más anchas [hasta 139,7 mm (5 1/2")] deben hacerse algunos ajustes. Cuando corte una tabla entre 98,4 mm (3 7/8") y 139,7 mm (5 1/2") de espesor, el rodillo en la punta de la guarda se enganchará a la pieza de trabajo. Si esto ocurre, coloque su pulgar derecho en el lado superior de la guarda y ruede el protector lo suficiente para pasar la pieza de trabajo, como muestra la figura 25. Una vez que haya pasado la pieza de trabajo, puede soltar la guarda y continuará abierta mientras progresa el corte.

Cuando haga ingletes en el lado derecho en un zoclo de 98,4 mm (3 7/8") o más ancho, en posición vertical contra la guía, como en la figura 22, la sierra solo podrá cortar la tabla hasta 2,5 cm (1") desde el final de la misma. Intentar cortar más de una pulgada causará que el bastidor de la sierra interfiera con la pieza de trabajo. Si quiere cortar verticalmente zoclos con espesor entre 98,4 mm (3 7/8") y 139,7 mm (5 1/2") siga las instrucciones descritas a continuación.

CORTE VERTICAL DE ZOCLOS DE 99 MM A 139 MM (3 7/8" A 5 1/2") CONTRA LA GUÍA

- Coloque la moldura como muestra la figura 22
- Todos los cortes se hacen con la parte trasera de la moldura contra la guía.

ESQUINA INTERIOR:

Lado izquierdo:

1. Coloque la moldura con la parte inferior contra la base de la sierra
2. Inglete izquierdo 45°
3. Conserve la parte izquierda del corte

Lado derecho:

1. Coloque la moldura con la parte superior contra la base de la sierra
2. Inglete izquierdo 45°
3. Conserve la parte izquierda del corte

ESQUINA EXTERIOR:

Lado izquierdo:

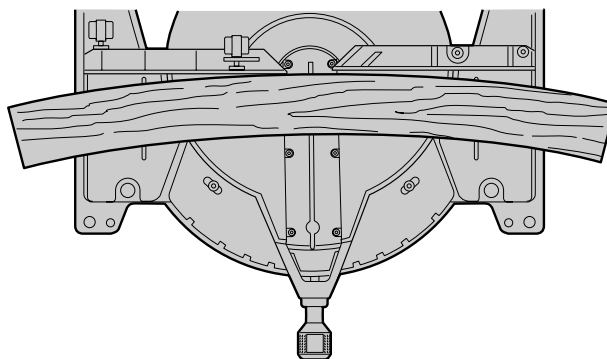
1. Coloque la moldura con la parte inferior contra la base de la sierra
2. Inglete derecho 45°
3. Conserve parte izquierda del corte

NOTA: Si el corte se debe hacer a más de 2,5 cm (1") del extremo de la moldura, córtela aproximadamente a 90 grados con 2,5 cm (1") de más sobre la longitud total, de esta manera podrá hacer el corte de inglete como se describió anteriormente.

Lado derecho:

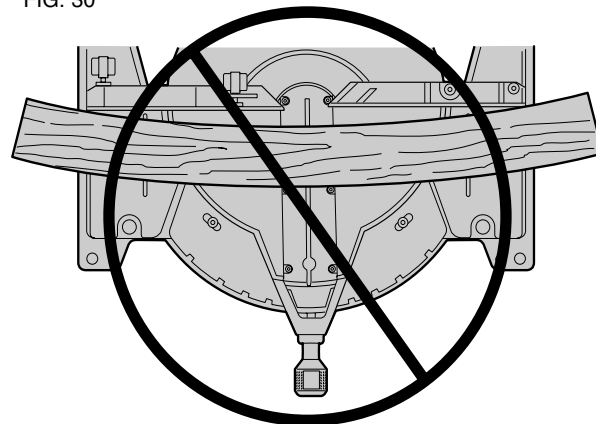
1. Coloque la moldura con la parte inferior contra la base de la sierra
2. Inglete izquierdo 45°
3. Conserve parte derecha del corte

FIG. 29



CORRECTO

FIG. 30



INCORRECTO

Un tercer método para hacer el corte necesario para el dibujo "A" es de hacer un inglete de 0°, y corte de bisel a 45°. Su sierra puede cortar un bisel de 200 mm (7 7/8") de ancho.

CORTE DE ZOCLO COLOCADO HORIZONTALMENTE Y EMPLEANDO EL DISPOSITIVO DE BISEL

- Todos los cortes hechos con la sierra puesta en 45° de bisel y 0° de inglete
- Todos los cortes hechos con la parte trasera de la madera en posición horizontal como muestran las figuras 23 y 24

ESQUINA INTERIOR:

Lado izquierdo:

1. Coloque la moldura con la parte superior contra la guía
2. Conserve la parte izquierda del corte

Lado derecho:

1. Coloque la moldura con la parte inferior contra la guía
2. Conserve la parte izquierda del corte

ESQUINA EXTERIOR:

Lado izquierdo:

1. Coloque la moldura con la parte inferior contra la guía
2. Conserve la parte derecha del corte

Lado derecho:

1. Coloque la moldura con la parte superior contra la guía
2. Conserve la parte derecha del corte

CORTE DE MOLDURAS DE REMATE

Su sierra está diseñada mejor que cualquier otra herramienta para la tarea de corte de molduras de remate. Para poder ensamblarse bien, las molduras deben cortarse con inglete compuesto con gran precisión.

Las dos superficies planas en una pieza determinada tienen ángulos que, al sumarse, dan por resultado exactamente 90°. La mayoría, pero no todas, tienen cierto ángulo en la parte trasera superior (la sección de ajuste con el techo) de 52° y un ángulo inferior trasero (la parte que ajusta contra la pared) de 38°.

Su sierra cuenta con puntos de inglete preajustados a 31,62° izquierda y derecha para cortar molduras de remate en el ángulo correcto. Hay también una marca en la escala de bisel a 33,85°.

La tabla (página 45) da las posiciones correctas para el corte de molduras de remate. (Los números para la posiciones de inglete y de bisel son muy precisos y no se ajustan fácilmente en su sierra). Ya que la mayoría de las habitaciones no tiene ángulos de 90° exactos, tendrá que ajustar sus posiciones de cualquier manera.

ES MUY IMPORTANTE HACER PRUEBAS EN MATERIAL DE DESPERDICIO

INSTRUCCIONES PARA CORTE DE MOLDURAS DE REMATE EN POSICION HORIZONTAL CON EL SISTEMA COMPUESTO

1. Moldura en posición horizontal de superficie ancha sobre la mesa de la sierra (figura 26)
2. Las posiciones de abajo son para molduras de remate estándar con ángulos de 52° y 38°

AJUSTE DE BISEL

33,85°

TIPO DE CORTE

LADO IZQUIERDO ESQUINA INTERIOR:

1. Parte superior de la moldura contra la guía
2. Mesa de inglete ajustada a la derecha 31,62°
3. Conserve el extremo izquierdo del corte

- 33,85° LADO DERECHO ESQUINA INTERIOR:
1. Parte inferior de la moldura contra la guía
 2. Tabla de inglete puesta a la izquierda 31.62°
 3. Conserve el extremo izquierdo del corte
-
- 33,85° LADO IZQUIERDO ESQUINA EXTERIOR:
1. Parte inferior de la moldura contra la guía
 2. Tabla de inglete puesta a la izquierda 31.62°
 3. Guarde el extremo derecho del corte
-
- 33,85° LADO DERECHO ESQUINA EXTERIOR:
1. Parte superior de la moldura contra la guía
 2. Tabla de inglete puesta a la derecha 31.62°
 3. Guarde el extremo derecho del corte

Cuando ajuste todos los ángulos de bisel y de inglete para todos los cortes compuestos, recuerde que:

Los ángulos presentados para las molduras de remate son muy precisos y difíciles de ajustar exactamente. Ya que pueden cambiarse fácilmente y muy pocas habitaciones tienen aristas en escuadra, todos los ajustes deben probarse antes con moldura sobrante.

¡ ES MUY IMPORTANTE HACER PRUEBAS EN MATERIAL SOBRANTE!

METODO ALTERNATIVO PARA CORTAR MOLDURAS DE REMATE

Coloque la moldura en la mesa en un ángulo entre la guía y la mesa de la sierra, como muestra la figura 26. Se recomienda el uso de la guía para molduras de remate (DW7054) por su grado de precisión y comodidad. Este accesorio está a su disposición con costo extra con su distribuidor local.

La ventaja de cortar las molduras de remate con este método es que no requiere corte a bisel. Los cambios de minutos en el ángulo de inglete pueden hacerse sin afectar el ángulo de bisel. De esta forma cuando se encuentran esquinas que no son de 90°, la sierra puede ajustarse rápida y fácilmente a ellas. Utilice la guía para corte de molduras de remate para conservar el ángulo en el que la moldura estará en el muro.

INSTRUCCIONES PARA CORTE DE MOLDURAS DE REMATE ANGULADAS ENTRE LA GUIA Y LA BASE DE LA SIERRA

PARA TODOS LOS CORTES:

1. Coloque la moldura de manera que la parte inferior (parte que va contra el muro) quede contra la guía, y la parte superior de la moldura se apoye en la base de la sierra, como muestra la figura 26A.
2. Las superficies planas del dorso de la moldura deben de ponerse sobre la guía y la base de la sierra.

ESQUINA INTERIOR:

Lado izquierdo:

1. Inglete derecho a 45°
2. Conserve la parte derecha del corte

Lado derecho:

1. Inglete izquierdo a 45°
2. Conserve la parte izquierda del corte

ESQUINA EXTERIOR:

Lado izquierdo:

1. Inglete izquierdo a 45°
2. Conserve la parte derecha del corte

Lado derecho:

1. Inglete derecho a 45°
2. Conserve la parte izquierda del corte

Cortes especiales

NUNCA HAGA NINGUN CORTE SIN SUJETAR FIRMEMENTE EL MATERIAL

Corte de aluminio:

Los extruídos de aluminio como los que se utilizan para hacer pantallas y ventanas pueden ser cortados fácilmente con su sierra. Coloque el material para que pueda cortar la parte más fina de la sección transversal como muestra la figura 27. La figura 28 ilustra la forma incorrecta de cortar estos perfiles. Use la barra de cera lubricante cuando corte aluminio tal. Aplique la barra de cera directamente a la hoja de la sierra antes de cortar. Nunca aplique la barra de cera a un disco en funcionamiento.

La cera ofrece la lubricación apropiada y evita que las rebabas se adhieran al disco.

Material arqueado:

Cuando corte material arqueado, colóquelo como muestra la figura 29 y nunca como muestra la figura 30. Colocar el material de manera incorrecta atascará el disco casi al final del corte.

Corte de tubería de plástico y otros materiales con sección circular:

La tubería de plástico y otros materiales similares pueden cortarse fácilmente con su sierra. Deberán cortarse como madera y SUJETARSE FIRMEMENTE A LA GUIA PARA EVITAR QUE RUEDEN.

Corte de material grande

Ocasionalmente se encontrará con una pieza de madera demasiado larga para encajarla bajo la guarda del disco. Se puede lograr un poco de altura extra rodando el protector hacia afuera, como muestra la figura 25. Evite esa operación todo lo posible, pero en caso necesario, la sierra operará correctamente y hará el corte deseado. NO ATE, PONGA CINTA, O ASEGURE LA GUARDA CUANDO OPERE ESTA SIERRA.

Mantenimiento

1. Todos los rodamientos son baleros de bolas sellados. Están lubricados de por vida y no necesitan mantenimiento adicional.
2. Limpie periódicamente todo serrín y astillas de alrededor Y DEBAJO de la base y de la mesa giratoria. A pesar de que hay aberturas para que el polvo pase, algo se acumulará.
3. Los carbones están diseñados para varios años de uso. Si alguna vez necesitan reemplazarse, siga las instrucciones de la página 40 o llévela a un centro de servicio para reparación.

Reparaciones

Para garantizar la SEGURIDAD y la CONFIABILIDAD, deberán hacerse reparaciones, mantenimiento y ajustes de esta herramienta en los centros autorizados de servicio DEWALT u otras organizaciones autorizadas. Estas organizaciones prestan servicio a las herramientas DEWALT y emplean siempre refacciones legítimas DEWALT.

PARA REPARACIÓN Y SERVICIO DE SUS HERRAMIENTAS ELÉCTRICAS, FAVOR DE DIRIGIRSE AL CENTRO DE SERVICIO MÁS CERCANO

CULIACAN, SIN

Av. Nicolás Bravo #1063 Sur
Col. Industrial Bravo (667) 7 12 42 11

GUADALAJARA, JAL

Av. La Paz #1779
Col. Americana Sector Juárez (33) 3825 6978

MEXICO, D.F.

Eje Central Lázaro Cárdenas No. 18
Local D, Col. Obrera (55) 5588 9377

MERIDA, YUC

Calle 63 #459-A - Col. Centro (999) 928 5038

MONTERREY, N.L.

Av. Francisco I. Madero No.831 - Col. Centro (81) 8375 2313

PUEBLA, PUE

17 Norte #205 - Col. Centro (222) 246 3714

QUERETARO, QRO

Av. Madero 139 Pte. - Col. Centro (442) 214 1660

SAN LUIS POTOSI, SLP

Av. Universidad 1525 - Col. San Luis (444) 814 2383

TORREON, COAH

Blvd. Independencia, 96 Pte. - Col. Centro (871) 716 5265

VERACRUZ, VER

Prolongación Díaz Mirón #4280 - Col. Remes (229) 921 7016

VILLAHERMOSA, TAB

Constitución 516-A - Col. Centro (993) 312 5111

PARA OTRAS LOCALIDADES LLAME AL: (55) 5326 7100

Póliza de Garantía

IDENTIFICACIÓN DEL PRODUCTO:

Sello o firma del Distribuidor.

Nombre del producto: _____ Mod./Cat.: _____

Marca: _____ Núm. de serie: _____

(Datos para ser llenados por el distribuidor)

Fecha de compra y/o entrega del producto:

Nombre y domicilio del distribuidor donde se adquirió el producto:

Este producto está garantizado por un año a partir de la fecha de entrega, contra cualquier defecto en su funcionamiento, así como en materiales y mano de obra empleados para su fabricación. Nuestra garantía incluye la reparación o reposición del producto y/o componentes sin cargo alguno para el cliente, incluyendo mano de obra, así como los gastos de transportación razonablemente erogados derivados del cumplimiento de este certificado.

Para hacer efectiva esta garantía deberá presentar su herramienta y esta póliza sellada por el establecimiento comercial donde se adquirió el producto, de no contar con ésta, bastará la factura de compra.

EXCEPCIONES.

Esta garantía no será válida en los siguientes casos:

- Cuando el producto se hubiese utilizado en condiciones distintas a las normales;
- Cuando el producto no hubiese sido operado de acuerdo con el instructivo de uso que se acompaña;
- Cuando el producto hubiese sido alterado o reparado por personas distintas a las enlistadas al final de este certificado.

Anexo encontrará una relación de sucursales de servicio de fábrica, centros de servicio autorizados y franquiciados en la República Mexicana, donde podrá hacer efectiva su garantía y adquirir partes, refacciones y accesorios originales.

Garantía limitada por tres años

DEWALT reparará, sin cargo, cualquier falla que surja de defectos en el material o la fabricación del producto, por hasta tres años a contar de la fecha de compra. Esta garantía no cubre fallas de las piezas causadas por su desgaste normal o abuso a la herramienta. Para mayores detalles sobre la cobertura de la garantía e información acerca de reparaciones realizadas bajo garantía, visítenos en www.dewalt.com o diríjase al centro de servicio más cercano. Esta garantía no aplica a accesorios o a daños causados por reparaciones realizadas o intentadas por terceros. Esta garantía le otorga derechos legales específicos, además de los cuales puede tener otros dependiendo del estado o provincia en que se encuentre.

Además de la garantía, las herramientas DEWALT están cubiertas por:

1 AÑO DE SERVICIO GRATUITO

DEWALT mantendrá la herramienta y reemplazará las piezas gastadas por su uso normal, sin cobro, en cualquier momento durante un año a contar de la fecha de compra.

GARANTÍA DE REEMBOLSO DE SU DINERO POR 90 DÍAS

Si no está completamente satisfecho con el desempeño de su máquina herramienta, láser o clavadora DEWALT, cualquiera sea el motivo, podrá devolverlo hasta 90 días de la fecha de compra con su recibo y obtener el reembolso completo de su dinero – sin necesidad de responder a ninguna pregunta.

PRODUCTO RECONDICIONADO: Los productos reacondicionados están cubiertos bajo la Garantía de 1 Año de Servicio Gratuito. La Garantía de 90 Días de Reembolso de su Dinero y la Garantía Limitada de Tres Años no aplican a productos reacondicionados.

REEMPLAZO GRATUITO DE LAS ETIQUETAS DE

ADVERTENCIA: Si las etiquetas de advertencia se tornan elegibles o se pierden, llame al 1-800-4-DEWALT para reemplazarlas sin costo alguno.

ESPECIFICACIONES

Tensión de alimentación 120 V CA~
Potencia nominal: 2 200 W
Frecuencia de operación 60 Hz
Consumo de corriente: 15, 0 A

IMPORTADO: DEWALT S.A. DE C.V.
BOSQUES DE CIDROS ACCESO RADIATAS NO. 42
COL. BOSQUES DE LAS LOMAS.
3A SECCION, CP 05120
DELEGACION CUAJIMALPA
MÉXICO, D.F TEL. 555-326-7100
R.F.C.: BDE810626-1W7

Para servicio y ventas consulte
"HERRAMIENTAS ELECTRICAS"
en la sección amarilla.



Guía para la solución de problemas frecuentes

ASEGURESE DE SEGUIR LAS REGLAS DE SEGURIDAD Y LAS INSTRUCCIONES

PROBLEMA: LA SIERRA NO ARRANCA

¿QUE ESTA MAL?

1. La sierra no está conectada.
2. Hay un fusible quemado o el interruptor automático.
3. El cable está dañado.
4. Los carbones se desgastaron.

QUE HACER...

1. Conecte la sierra está abierto.
2. Reemplace el fusible o cierre el interruptor automático.
3. Reemplace el cable en su centro de servicio autorizado.
4. Reemplace Los carbones en su centro de servicio autorizado o reemplácelos usted mismo como se indica en la página 40

PROBLEMA: LA SIERRA HACE CORTES NO SATISFATORIOS

¿QUE ESTA MAL?

1. El disco no tiene filo.
2. El disco esta montado al revés.
3. El disco está sucio.
4. Se está utilizando un disco incorrecto para el trabajo

QUE HACER...

1. Reemplace el disco. Vea la página 37.
2. Voltee al revés el disco. Ver página 37.
3. Quite el disco y límpielo con aguarrás y un paño o con limpia hornos.
4. Cambie el disco. Ver página 37

PROBLEMA: EL DISCO NO LLEGA A LA VELOCIDAD DE TRABAJO

¿QUE ESTA MAL?

1. El cable de extensión es muy delgado o muy largo.
2. El voltaje está bajo.

QUE HACER...

1. Reemplácelo con la extensión adecuada. Ver página 36
2. Haga contacto con la compañía eléctrica.

PROBLEMA: LA MAQUINA VIBRA EXCESIVAMENTE

¿QUE ESTA MAL?

1. La sierra no está correctamente asegurada a la mesa de trabajo o al banco.
2. La mesa o el banco están en una superficie irregular.
3. El disco de la sierra está dañado.

QUE HACER...

1. Apriete los herrajes de montaje. Ver página 37
2. Reposicione en una superficie regular. Ver pagina 37
3. Cambie el disco. Ver página 37

PROBLEMA: NO HACE INGLETES PRECISOS

¿QUE ESTA MAL?

1. La escala de ángulos no está ajustada correctamente
2. El disco no está a escuadra con la guía.
3. El disco no está perpendicular a la base.
4. La pieza de trabajo se mueve.

QUE HACER...

1. Verifique y ajuste. Ver páginas 39
2. Verifique y ajuste. Ver páginas 39
3. Verifique y ajuste la guía. Ver páginas 40
4. Sujete la pieza de trabajo a la guía o péguele lija de grano 120 con cemento de goma.

PROBLEMA: EL MATERIAL ESTRAGULA EL DISCO

¿QUE ESTA MAL?

1. Está cortando material arqueado.

QUE HACER...

1. Coloque el material arqueado como indica en la página 46

DEWALT Industrial Tool Co., 701 East Joppa Road, Baltimore, MD 21286

(FEB05)

Form No. 630227-00

DW705

Copyright © 2001, 2002, 2005 DEWALT

The following are trademarks for one or more DEWALT power tools: the yellow and black color scheme; the “D” shaped air intake grill; the array of pyramids on the handgrip; the kit box configuration; and the array of lozenge-shaped humps on the surface of the tool.