

# SPECIFICATIONS

**GENERAL**

Highest quality sink seamlessly drawn of #18 gauge, type 304 (18-8) nickel bearing stainless steel. Underside of sink is fully protected by heavy duty Sound Guard™ undercoating. Designed to accept waste disposer.

**DESIGN FEATURES**

Bowl Depth: 7-1/2" (ELUH3119); 10" (ELUH311910 Large Bowl); 7-1/2" (ELUH311910 Small Bowl).

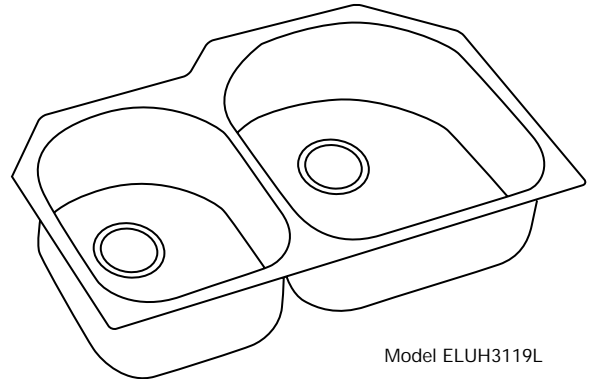
Finish: Exposed surfaces are hand blended to a lustrous highlighted satin finish.

Underside: Underside of sink is fully protected by heavy duty Sound Guard™ undercoating to prevent condensation and deaden sound.

**OTHER**

Drain Opening: 3-1/2".

Note: All Elkay custom design undermount sinks are designed to affix easily to the underside of any solid surface countertop.



Model ELUH3119L

**OPTIONAL ACCESSORIES**

Rinsing Baskets: LKRB1614 and LKERBSS.

Bottom Grid: LKOBG1716.

These sinks comply with ANSI Standard A112.19.3M.

**SINK DIMENSIONS (INCHES)\***

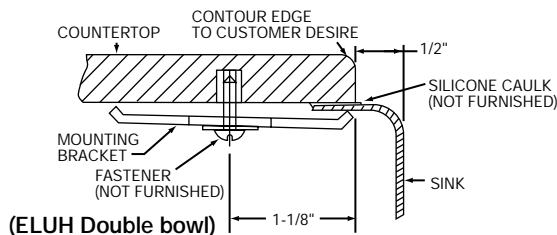
Model Number	Overall		Inside Left Bowl			Inside Right Bowl			Cutout in Countertop	Ship. Wt. Lbs.
	L	W	L	W	D	L	W	D		
ELUH3119L	31 1/4	20	11 1/2	15	7 1/2	16	17 1/2	7 1/2	See Template**	19 1/2
ELUH3119R	31 1/4	20	16	17 1/2	7 1/2	11 1/2	15	7 1/2		19 1/2
ELUH311910L	31 1/4	20	11 1/2	15	7 1/2	16	17 1/2	10		20 1/2
ELUH311910R	31 1/4	20	16	17 1/2	10	11 1/2	15	7 1/2		20 1/2

\*Length is left to right. Width is front to back.

\*\*Template and countertop mounting clips are packed with every sink.

**Installation Profile of ELUH Double Bowl Models**

The template provided with each ELUH sink provides the only type of installation recommended by Elkay.

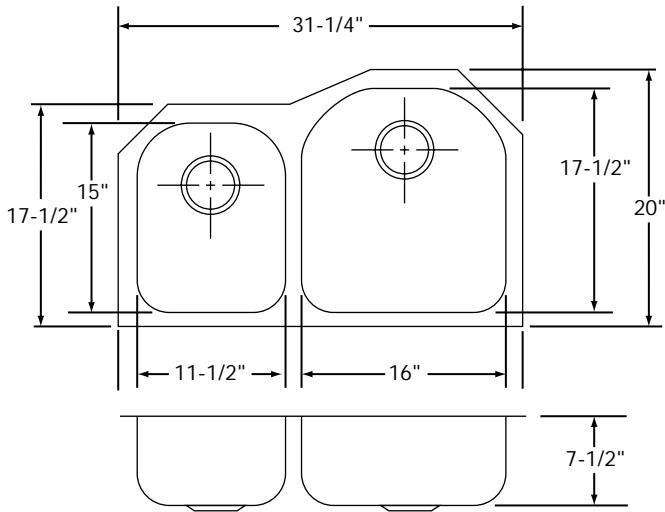


ALL DIMENSIONS IN INCHES, TO CONVERT TO MILLIMETERS MULTIPLY BY 25.4.

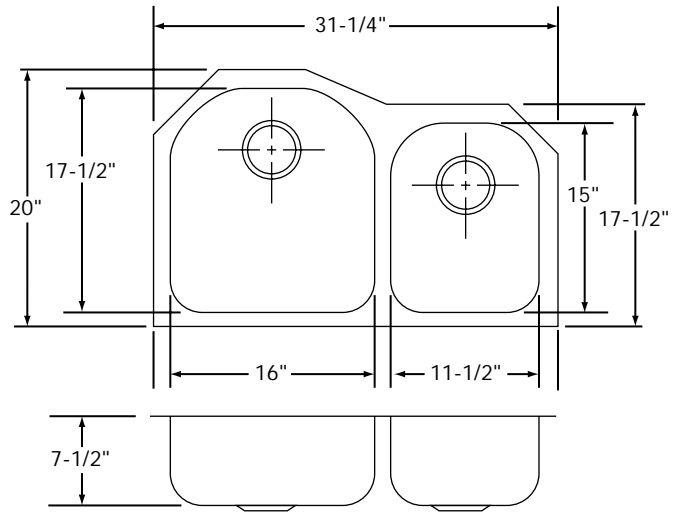
*In keeping with our policy of continuing product improvement, Elkay reserves the right to change product specifications without notice.*

*This specification describes an Elkay product with design, quality and functional benefits to the user. When making a comparison of other producers' offerings, be certain these features are not overlooked.*

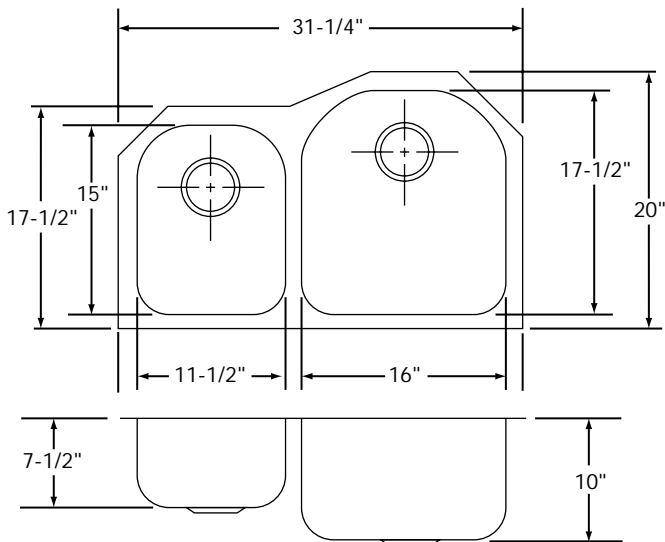
**SPECIFICATIONS**



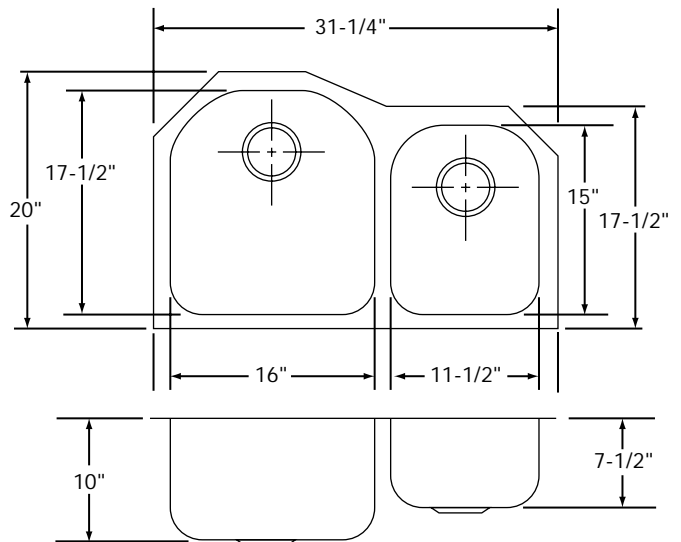
Model ELUH3119L Illustrated



Model ELUH3119R Illustrated



Model ELUH311910L Illustrated



Model ELUH311910R Illustrated

**Installation Profile of ELUH Double Bowl Models**  
 The template provided with each ELUH sink provides the only type of installation recommended by Elkay.

