

GX-200/250

PROFESSIONAL ABS MOLDED LOUDSPEAKER
PROFESSIONELLE ABS GEFORMTER LAUTSPRECHER
ALTAVOZ MOLDEADO ABS PROFESIONAL
HAUT-PARLEUR MOULÉ PAR ABS PROFESSIONNEL

OPERATIONS MANUAL
BEDIENUNGSHANDBUCH
MANUAL DEL OPERADOR
MANUEL D'INSTRUCTIONS



gemini[®]

CONTENTS:	
ENGLISH.....	PAGE 2
DEUTSCH.....	PAGE 8
ESPAÑOL.....	PAGE 9
FRANCAIS.....	PAGE 10
SPECIFICATIONS.....	PAGE 11

PLEASE READ BEFORE USING APPLIANCE, IMPORTANT WARNING & SAFETY INSTRUCTIONS!



CAUTION
RISK OF ELECTRICAL SHOCK DO NOT OPEN!



CAUTION: THIS PRODUCT SATISFIES FCC REGULATIONS WHEN SHIELDED CABLES AND CONNECTORS ARE USED TO CONNECT THE UNIT TO OTHER EQUIPMENT. TO PREVENT ELECTROMAGNETIC INTERFERENCE WITH ELECTRIC APPLIANCES SUCH AS RADIOS AND TELEVISIONS, USE SHIELDED CABLES AND CONNECTORS FOR CONNECTIONS.

THE EXCLAMATION POINT WITHIN AN EQUILATERAL TRIANGLE IS INTENDED TO ALERT THE USER TO THE PRESENCE OF IMPORTANT OPERATING AND MAINTENANCE (SERVICING) INSTRUCTIONS IN THE LITERATURE ACCOMPANYING THE APPLIANCE.

THE LIGHTNING FLASH WITH ARROWHEAD SYMBOL, WITHIN AN EQUILATERAL TRIANGLE, IS INTENDED TO ALERT THE USER TO THE PRESENCE OF UNINSULATED "DANGEROUS VOLTAGE" WITHIN THE PRODUCT'S ENCLOSURE THAT MAY BE OF SUFFICIENT MAGNITUDE TO CONSTITUTE A RISK OF ELECTRIC SHOCK TO PERSONS.

READ INSTRUCTIONS: All the safety and operating instructions should be read before the product is operated.

RETAIN INSTRUCTIONS: The safety and operating instructions should be retained for future reference.

HEED WARNINGS: All warnings on the product and in the operating instructions should be adhered to.

FOLLOW INSTRUCTIONS: All operating and use instructions should be followed.

CLEANING: The product should be cleaned only with a polishing cloth or a soft dry cloth. Never clean with furniture wax, benzine, insecticides or other volatile liquids since they may corrode the cabinet.

ATTACHMENTS: Do not use attachments not recommended by the product manufacturer as they may cause hazards.

WATER AND MOISTURE: Do not use this product near water, for example, near a bathtub, wash bowl, kitchen sink, or laundry tub; in a wet basement; or near a swimming pool; and the like.

ACCESSORIES: Do not place this product on an unstable cart, stand, tripod, bracket, or table. The product may fall, causing serious injury to a child or adult, and serious damage to the product. Use only with a cart, stand, tripod, bracket, or table recommended by the manufacturer, or sold with the product. Any mounting of the product should follow the manufacturer's instructions, and should use a mounting accessory recommended by the manufacturer.

CART: A product and cart combination should be moved with care. Quick stops, excessive force, and uneven surfaces may cause the product and cart combination to overturn. See Figure A.

VENTILATION: Slots and openings in the cabinet are provided for ventilation and to ensure reliable operation of the product and to protect it from overheating, and these openings must not be blocked or covered. The openings should never be blocked by placing the product on a bed, sofa, rug, or other similar surface. This product should not be placed in a built-in installation such as a bookcase or rack unless proper ventilation is provided or the manufacturer's instructions have been adhered to.

POWER SOURCES: This product should be operated only from the type of power source indicated on the marking label. If you are not sure of the type of power supply to your home, consult your product dealer or local power company.

LOCATION: The appliance should be installed in a stable location.

NON-USE PERIODS: The power cord of the appliance should be unplugged from the outlet when left unused for a long period of time.

GROUNDING OR POLARIZATION:

- If this product is equipped with a polarized alternating current line plug (a plug having one blade wider than the other), it will fit into the outlet only one way. This is a safety feature. If you are unable to insert the plug fully into the outlet, try reversing the plug. If the plug should still fail to fit, contact your electrician to replace your obsolete outlet. Do not defeat the safety purpose of the polarized plug.
- If this product is equipped with a three-wire grounding type plug, a plug having a third (grounding) pin, it will only fit into a grounding type power outlet. This is a safety feature. If you are unable to insert the plug into the outlet, contact your electrician to replace your obsolete outlet. Do not defeat the safety purpose of the grounding type plug.

POWER-CORD PROTECTION: Power-supply cords should be routed so that they are not likely to be walked on or pinched by items placed upon or against them, paying particular attention to cords at plugs, convenience receptacles, and the point where they exit from the product.

OUTDOOR ANTENNA GROUNDING: If an outside antenna or cable system is connected to the product, be sure the antenna or cable system is grounded so as to provide some protection against voltage surges and built-up static charges. Article 810 of the National Electrical Code, ANSI/NFPA 70, provides information with regard to proper grounding of the mast and supporting structure, grounding of the lead-in wire to an antenna discharge unit, size of grounding conductors, location of antenna-discharge unit, connection to grounding electrodes, and requirements for the grounding electrode. See Figure B.

LIGHTNING: For added protection for this product during a lightning storm, or when it is left unattended and unused for long periods of time, unplug it from the wall outlet and disconnect the antenna or cable system. This will prevent damage to the product due to lightning and power-line surges.

POWER LINES: An outside antenna system should not be located in the vicinity of overhead power lines or other electric light or power circuits, or where it can fall into such power lines or circuits. When installing an outside antenna system, extreme care should be taken to keep from touching such power lines or circuits as contact with them might be fatal.

OVERLOADING: Do not overload wall outlets, extension cords, or integral convenience receptacles as this can result in a risk of fire or electric shock.

OBJECT AND LIQUID ENTRY: Never push objects of any kind into this product through openings as they may touch dangerous voltage points or short-out parts that could result in a fire or electric shock. Never spill liquid of any kind on the product.

SERVICING: Do not attempt to service this product yourself as opening or removing covers may expose you to dangerous voltage or other hazards. Refer all servicing to qualified service personnel.

DAMAGE REQUIRING SERVICE: Unplug this product from the wall outlet and refer servicing to qualified service personnel under the following conditions:

- When the power-supply cord or plug is damaged.
- If liquid has been spilled, or objects have fallen into the product.
- If the product has been exposed to rain or water.
- If the product does not operate normally by following the operating instructions. Adjust only those controls that are covered by the operating instructions as an improper adjustment of other controls may result in damage and will often require extensive work by a qualified technician to restore the product to its normal operation.
- If the product has been dropped or damaged in any way.
- When the product exhibits a distinct change in performance, this indicates a need for service.

REPLACEMENT PARTS: When replacement parts are required, be sure the service technician has used replacement parts specified by the manufacturer or have the same characteristics as the original part. Unauthorized substitutions may result in fire, electric shock, or other hazards.

SAFETY CHECK: Upon completion of any service or repairs to this product, ask the service technician to perform safety checks to determine that the product is in proper operating condition.

WALL OR CEILING MOUNTING: The product should not be mounted to a wall or ceiling.

HEAT: The product should be situated away from heat sources such as radiators, heat registers, stoves, or other products (including amplifiers) that produce heat.



Fig. A

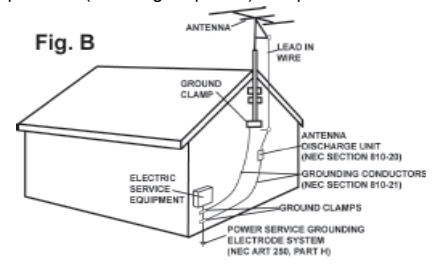
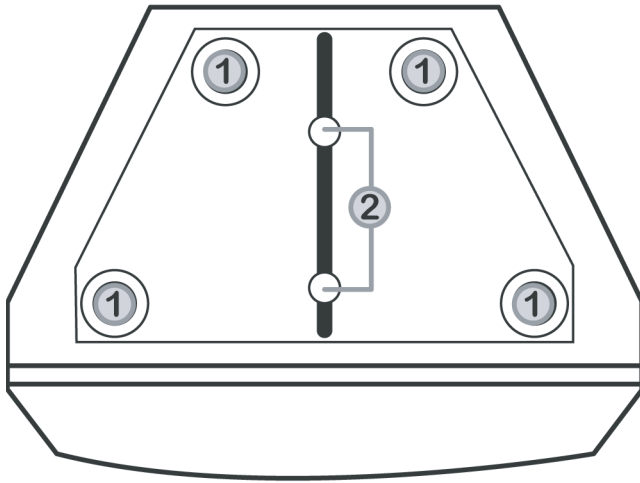


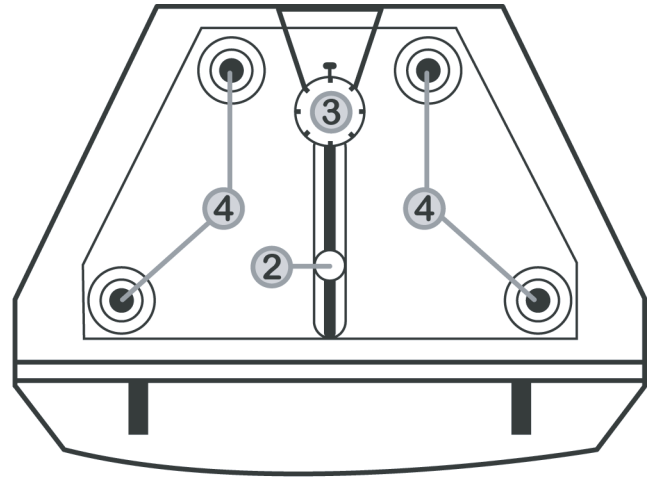
Fig. B
NEC — NATIONAL ELECTRICAL CODE

GX-200 / 250

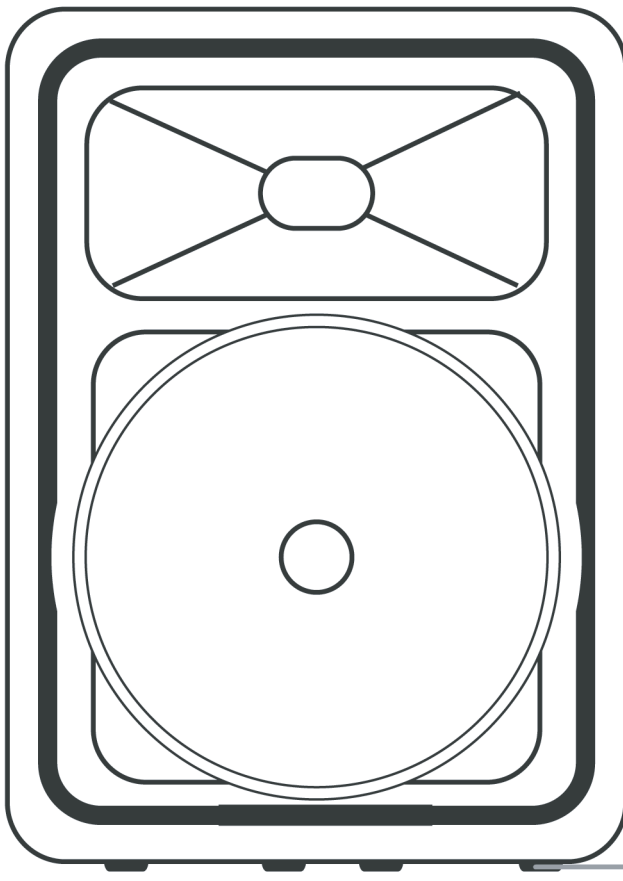
TOP VIEW



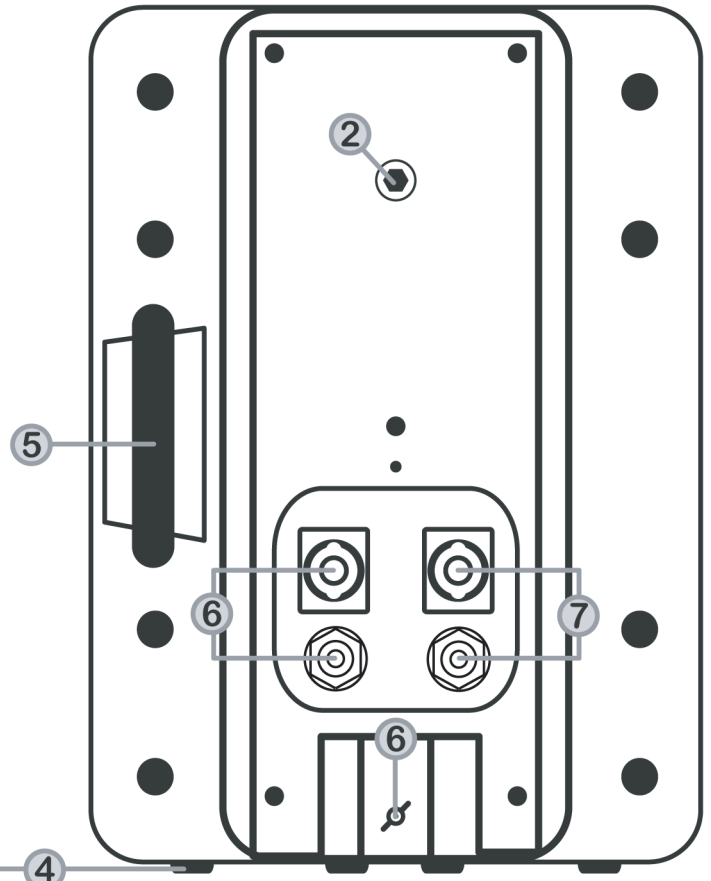
UNDERSIDE



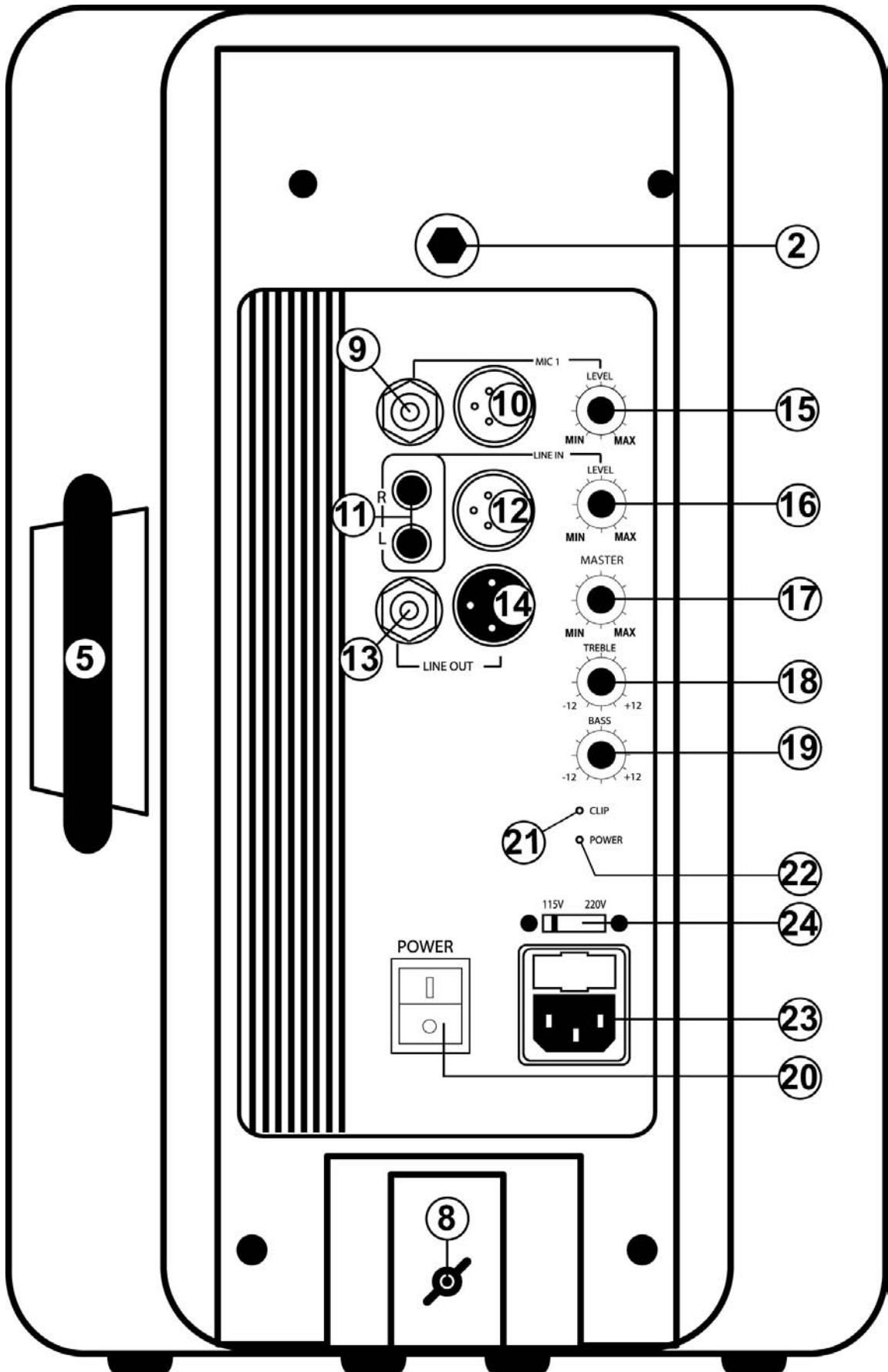
FACE



REAR GX-200 ONLY



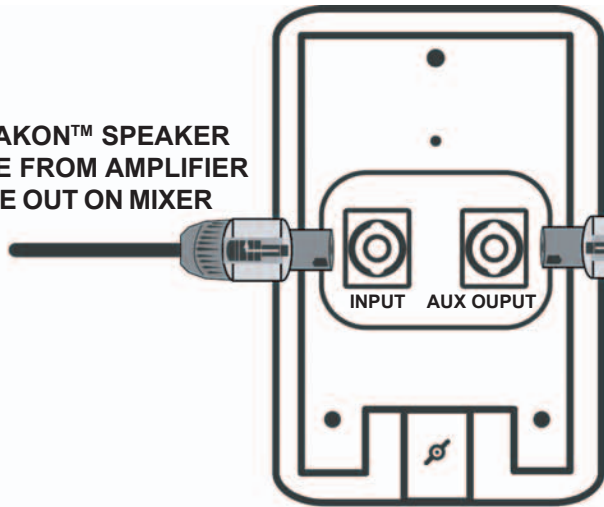
REAR VIEW GX-250



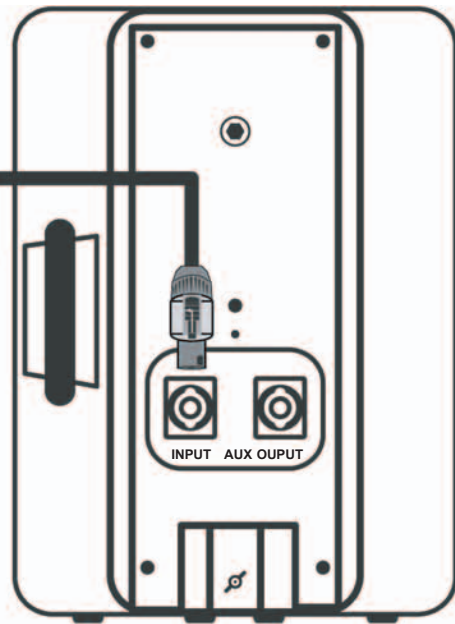
CONNECTIONS GUIDE:

CHAIN LINKED SPEAKER GX-200

SPEAKON™ SPEAKER
CABLE FROM AMPLIFIER
LINE OUT ON MIXER



SPEAKON™
CABLE



XLR OR 1/4" BALANCED
CABLE TO XLR

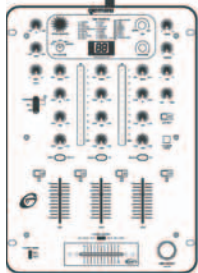


MICROPHONES

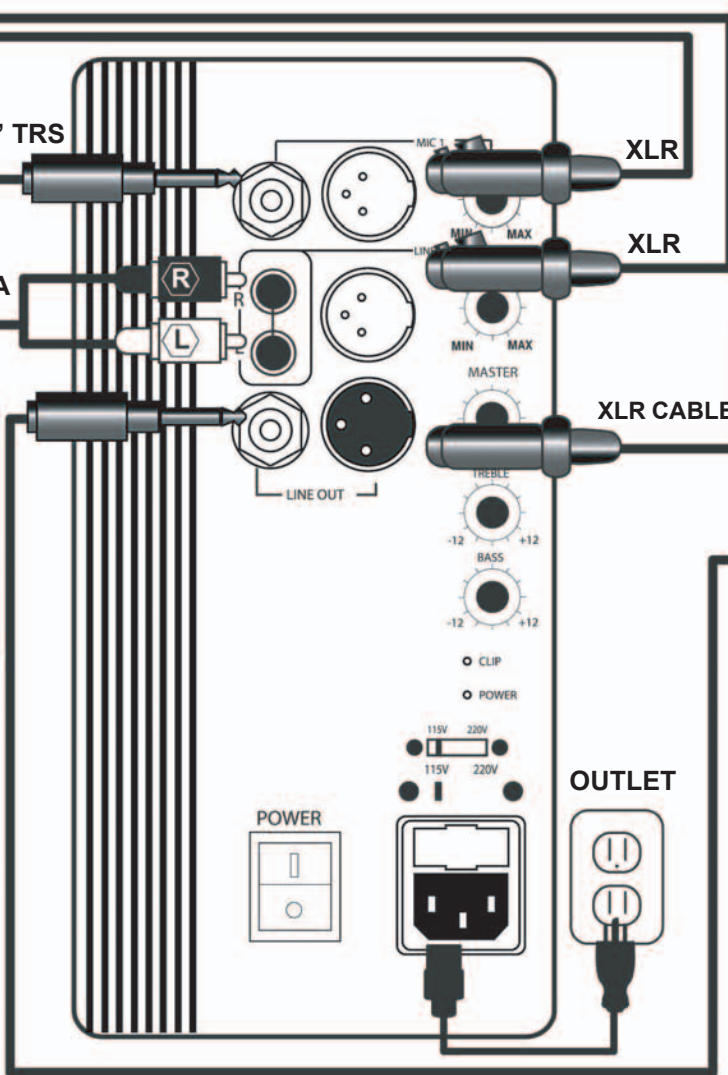
1/4" TRS

RCA

RCA, XLR & or
1/4" MASTER
OUTPUTS



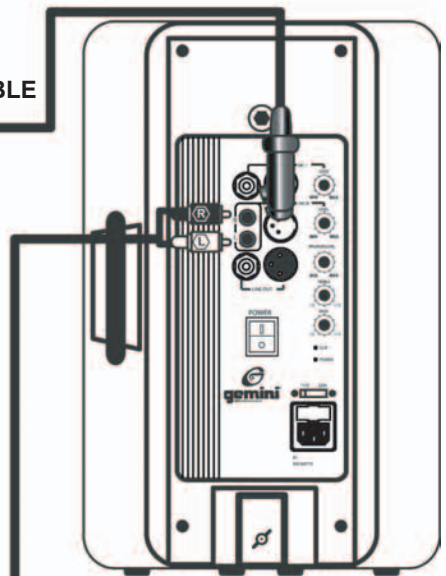
MIXER



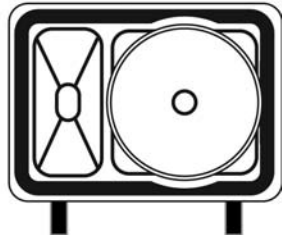
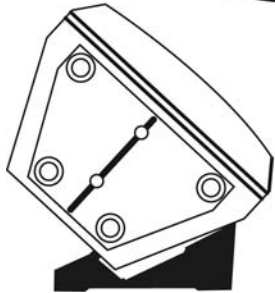
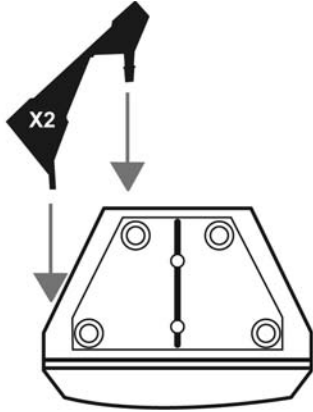
1/4" TO RCA CABLE

POWER
CABLE

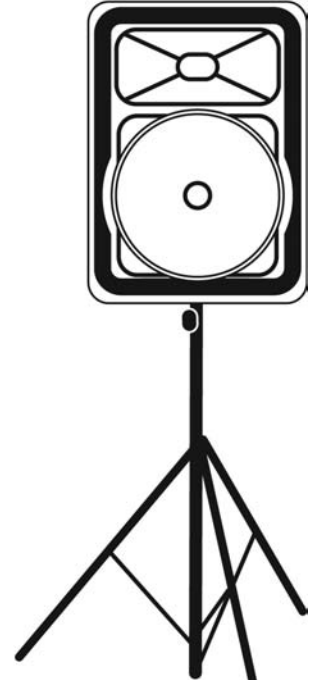
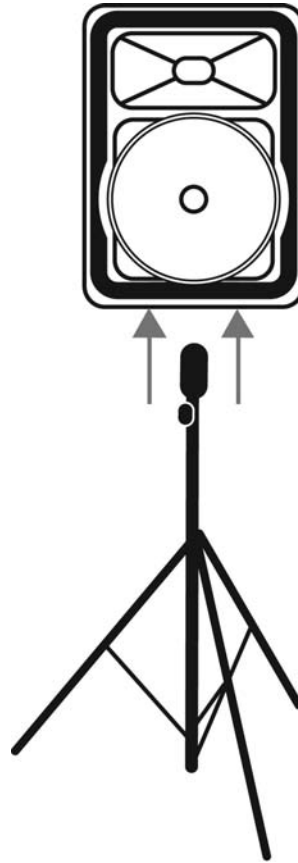
CHAIN LINKED GX-250 SPEAKER



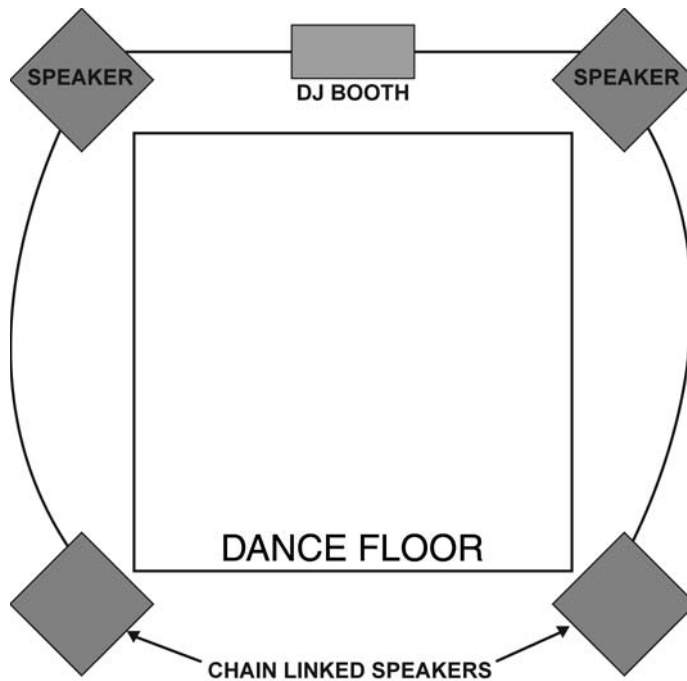
SETUP GUIDE:



STAGE MONITORING



SPEAKER STAND



INTRODUCTION:

Congratulations on your purchase of a **GX-SERIES** speaker, engineered & manufactured by **Gemini Sound Products**. The new **Gemini GX** speaker range includes the very latest technology in lightweight **ABS** design trapezoidal design for a more precise and accurate sound these speakers will add increased sound definition on vocal frequencies. Available as either **10" passive** or **active** units and complete with handles for easy transportation make the new **GX-SERIES** a superb addition to Gemini's comprehensive speaker line. This state of the art speaker is backed up by a three-year warranty.

FEATURES:

GX-200: Professional Passive ABS Molded speaker

100 watts RMS, 250 watts peak power
10" two way loudspeaker
Compression driver with titanium diaphragm
Aluminum die-cast woofer & high temp voice coil
1/4" Speakon inputs & outputs
Auxiliary line output (for bridging)
Stand mounting sockets for stage monitoring
Full metal grill
Rigging points & easy carry handles

GX-250: Professional Active ABS Molded speaker

100 watts RMS, 250 watts peak power
Powered 10" two way loudspeaker
Compression driver with titanium diaphragm
Aluminum die-cast woofer & high temp voice coil
1/4" & XLR line outputs
1/4" & XLR mic/line inputs
XLR/RCA line inputs
Clip & power LEDs
Built-in mic mixer with bass & treble controls
Auxiliary line output (for bridging)
Stand mounting sockets for stage monitors
Aluminum die-cast woofer & full metal grill
Rigging points & easy carry handles
Voltage selector switch

CAUTIONS:

1. All operating instructions should be read before using this equipment.
2. To reduce the risk of electrical shock, do not open the unit. There are, **NO USER REPLACEABLE PARTS INSIDE**. Please refer servicing to a qualified Gemini Sound Products service technician.
3. Do not expose this unit to direct sunlight or to a heat source such as a radiator or stove.
4. This unit should be cleaned only with a damp cloth. Avoid solvents or other cleaning detergents.
5. When moving this equipment, it should be placed in its original carton and packaging. This will reduce the risk of damage during transit.
6. **DO NOT EXPOSE THIS UNIT TO RAIN OR MOISTURE.**
7. **DO NOT USE ANY SPRAY CLEANER OR LUBRICANT ON ANY CONTROLS OR SWITCHES.**

LINE VOLTAGE SELECTION:

The **GEMINI GX-250** speakers are a dual voltage unit operating at **115** or **230** volts. Be sure to set the proper voltage:

1. Place the head of a screwdriver in the center of the **VOLTAGE SELECTOR (24)** switch found on the rear panel.
2. Slide the switch to **115** or **230** volts.
3. Do not force or twist the switch. Excessive force may cause damage. If the switch does not move smoothly, contact a qualified technician.
4. Plug in the **GX-250**, using the supplied power cable, into the **AC INLET (23)**.
5. The fuse is located within the **AC INLET (23)**. When replacing use a fuse of the same value only.

SET-UP:

Use the provided mounting hardware for a **STAGE MONITORING** setup. Slide the plastic legs into the holes on the side of the speaker. Refer to the **SET-UP GUIDE** for location. You can also use a **SPEAKER STAND** by inserting a stand into the **STAND MOUNTING SOCKET (3)**, tighten using the **LOCKING PIN (8)**. Another way to setup the speaker is to use the **SPEAKER RIGGING POINTS (2)**, mounting hardware should be used to hang the speaker where appropriate. Speaker stands and mounting hardware are available separately. The **RUBBER FEET (4)** are for stacking the speakers on top of each other within the **STACKING GROOVES (1)** located on the top portion of the speaker. Use the **EASY CARRY HANDLE (5)** for easy transportation.

CONNECTIONS:

Make sure **ALL** your equipment is completely **OFF** and lower **ALL VOLUME, LEVEL, & GAIN** controls and before connecting the speaker.

1. For the **GX-200** use a **SPEAKON™ CABLE** from your **AMPLIFIER LINE OUTPUT** to the **SPEAKON™ INPUT JACK (6)**.
2. For the **GX-250** you can connect either a **LINE** or **MICROPHONE** directly into your speaker. For your **MIXER** you can use either, a **BALANCED 1/4"** or **XLR to XLR CABLE**, or standard **RCA CABLES**, using the **RCA (11)** or **XLR (12) INPUTS** to plug into the speaker. To connect a **MICROPHONE**, you can plug into the **MIC 1** input with a **1/4"** or **XLR CABLE** to the **1/4" (9)** or **XLR (10) INPUTS**.
3. You can also use the **AUXILIARY LINE OUTPUT JACKS (7, 13, & 14)** to **CHAIN-LINK** an additional speaker using an additional speaker **CABLE**.

CHAIN-LINK:

When chain-linking these speakers only **1 GX-200** speaker can be added to another, but **MULTIPLE GX-250** speakers can be added to another in a **CHAIN-LINK** setup. After setting up your speakers connect them and follow the setup steps, your **AMPLIFIER** will compensate for the extra speaker or speakers.

NOTE: PLEASE REFER TO THE CONNECTIONS GUIDE ON PAGE 5 FOR DETAILED INSTRUCTIONS!

OPERATION:

The speakers can be used in **PAIRS** for a **NORMAL** setup, or in groups of **FOUR** when **CHAIN-LINKED** together.

GX-200:

1. First turn on your **MIXER** or other signal source.
2. Then turn on your **AMPLIFIER** and increase the **VOLUME** or **GAIN** control as recommended by the **AMPLIFIERS** owner manual.
3. Start playing from your **TURNTABLE, CD PLAYER, MIC, etc.** and adjust the volume controls from your mixer to a reasonable level.

GX-250:

1. First turn on your **MIXER/MICROPHONES** or other signal source, then turn on your **SPEAKER**, the **POWER LED (22)** will be lit. Start playing from your **TURNTABLE, CD PLAYER, MIC, etc.** and adjust the volume controls from your **MIXER/MICROPHONES**, to a reasonable level.
2. Use the **MIC 1 (15)** or **LINE IN (16)** level controls to adjust **MIC 1 (9, 10)** or **LINE IN (11, 12)** levels. The **MIC 1/LINE IN LEVEL (15, 16)** controls can be used to adjust the level of the **LINE OUT (13, 14)** signals as well.
3. Use the speakers **MASTER (17)** level control to adjust the overall level of the **SPEAKER**, and use the **TREBLE (18) & BASS (19)** controls to adjust the **TREBLE & BASS** levels. If your **MIC 1 (9,10), LINE 1 level (11, 12)** or if the speakers **MASTER (17)** level is too loud or distorted the **CLIP LED (21)** will be light up or flash, adjust your volume to a reasonable level.

SPECIFICATIONS:

SEE PAGE 10 FOR SPECIFICATIONS.

SHOULD YOU EXPERIENCE ANY DIFFICULTIES OR PROBLEMS, PLEASE CALL: 1 (732) 738-9003 FOR GEMINI CUSTOMER SERVICE.

EINFÜHRUNG:

Glückwünsche auf Ihrem Erwerb eines **GX-REIHE** Lautsprechers, ausgeführt u. durch **Gemini Sound Produkte** hergestellt. Die neue **Gemini GX** Lautsprecherstrecke umfaßt die sehr neueste Technologie im kompakten **ABS-Design**. Trapezoides Design für einen exakteren und genaueren Ton diese Lautsprecher fügt erhöhte stichhaltige Definition auf vocal Frequenzen hinzu. Vorhanden als irgendein **10" passive** oder **active** und führen mit Handgriffen für einfachen Transport bilden die neue **GX-REIHE** eine großartige Hinzufügung **Gemini's** zur kompletten Lautsprecherlinie durch. Dieser Zustand des kunstlautsprechers wurde durch eine dreijährige Garantie unterstützt.

FUNKTIONEN:

GX-200: Professioneller, passiver 10" 2-Weg-Lautsprecher im ABS-Gehäuse

- 100W RMS- , 250W Spitzenleistung
- Hochtonhorn mit Titanreiber
- Woofer mit Alugußkorb und Hochtemperaturschwingspule
- Speakonbuchsen für Ein- und Ausgang (Link)
- Standardaufnahme für Lautsprecherstativ
- Stabiles Kunststoffgehäuse aus tiefgezogenem ABS mit Metallschutzgitter
- Aufhängepunkte und schnell abnehmbare Tragegriffe
- Vinylnetzschutzhülle mit Reißverschluß und Kabeltasche inklusive
- Aufsteller für Einsatz als Bodenmonitor beiliegend

GX-250: Professioneller, aktiver 10" 2-Weg-Lautsprecher im ABS-Gehäuse

- 100W RMS- , 250W Spitzenleistung des internen Verstärkers
- Hochtonhorn mit Titanreiber
- Woofer mit Alugußkorb und Hochtemperaturschwingspule
- Klinke- und XLR- Mikrofoneingang
- Cinch- und XLR-Lineeingang
- Klinke und XLR-Lineausgang(Link/Aux.)
- Kaltgerätebuchse für Netzanschluß
- LED s für Power On und Clip(Übersteuerung)
- Integrierter Mixer mit Mikrofon-/Lineeingang, Pegel-, Bass- und Höhenreglern
- Standardaufnahme für Lautsprecherstativ
- Stabiles Kunststoffgehäuse aus tiefgezogenem ABS mit Metallschutzgitter
- Aufhängepunkte und schnell abnehmbare Tragegriffe
- Vinylnetzschutzhülle mit Reißverschluß und Kabeltasche inklusive
- Aufsteller für Einsatz als Bodenmonitor beiliegend

VORSICHTSMAßNAHMEN:

1. Vor Anwendung dieses Geräts bitte alle Anweisungen sorgfältig durchlesen.
2. Das Gerät nicht öffnen, um das Risiko elektrischen Schocks zu vermeiden. Es enthält **KEINE VOM ANWENDER ERSETZBAREN TEILE**. Die Wartung darf nur von befähigten Wartungstechnikern durchgeführt werden.
3. Das Gerät von direktem Sonnenlicht oder einer Wärmequelle wie Heizkörper oder Ofen aussetzen.
4. Dieses Gerät darf nur mit einem feuchten Tuch gesäubert werden. Keine Lösungs-oder Reinigungsmittel benutzen.
5. Bei Umzügen sollte das Gerät in seinem ursprünglichen Versandkarton und Verpackungsmaterial verpackt werden. Dadurch verhindert man, daß das Gerät während des Transportes beschädigt wird.
6. **DIESES GERÄT NICHT REGEN ODER FEUCHTIGKEIT AUSSETZEN.**
7. **AN DEN REGLERN ODER SCHALTERN KEIN SPRAY-REINIGUNGSMITTEL ODER SCHMIERMITTEL BENUTZEN.**

WAHL DER NETZSPANNUNG:

Das Modell **GX 250 series** ist eine Doppelspannungseinheit, die bei **115** oder **220** Volt in Gebrauch genommen werden kann. Um die richtige Spannung einzustellen, sind folgende Schritte zu befolgen:

1. Einen Schraubenzieherkopf in die Mitte des Spannungswahl-Schiebeschalters **VOLTAGE SELECTOR (24)** auf der hinteren Schalttafel einstecken.
2. Den Schalter nach auf **115 V** oder **230 V** zu schalten.
3. Den Schalter nicht mit übermäßiger Kraft schieben oder drehen. Falls der Schalter sich nicht bewegen läßt, wenden Sie sich an einen qualifizierten Techniker.
4. Plug im **GX-250** mit dem gelieferten Energie Kabel, in den **WECHSELSTROM EINGANG (23)**.
5. Die Sicherung befindet sich im **WECHSELSTROM EINGANG (23)**. Wenn replaceing Gebrauch eine Sicherung nur des gleichen Wertes.

EINSTELLUNG:

Benutzen Sie die zur Verfügung gestellten **MONTAGEKLEINTEILE** für ein **STADIUM**, das Einstellung überwacht. Schieben Sie die Plastikbeine in die Bohrungen auf der Seite des Lautsprechers. Beziehen Sie sich den auf **EINSTELLUNG FÜHRER** für Position. Sie können einen Lautsprecher auch benutzen bereitstehen, einen Standplatz in die **STANDPLATZ-MONTAGE-EINFASSUNG (3)** einsetzend, festziehen mit dem **SICHERUNGSSTIFT (8)**. Eine andere Weise, den Lautsprecher zu gründen soll die **LAUTSPRECHER-TAKELUNG-PUNKTE BENUTZEN (2)**, Montagekleinteile sollte verwendet werden, den Lautsprecher zu hängen, wo passend. Lautsprecher steht und Montagekleinteile sind separat vorhanden. Die **GUMMICFÜßE (4)** sind für das Stapeln der Lautsprecher auf einander innerhalb der **STAPELNEN NUTEN (1)**, die auf dem oberen Teil des Lautsprechers gelegen sind. Verwenden Sie das **EINFACHE TRAGEN HANDGRIFF (5)** für einfachen Transport.

ANSCHLÜSSE:

Überprüfen Ihre Ausrüstung ist vollständig **AUS** und auch niedriger **ALLE VOLUME, LEVEL, & GAIN** und bevor sie den Lautsprecher anschließt.

1. Für den Gebrauch **GX-200** gab ein **SPEAKON™ KABEL** von Ihrer **VERSTÄRKERLINIE** zur **SPEAKON™ EINGANG STECKFASSUNG (6)** aus.
2. Für das **GX-250** können Sie einen **MISCHER** oder **MIKROPHONE** direkt in Ihren Lautsprecher anschließen. Für Ihren **MISCHER** können Sie entweder, ein **AUSGEGLICHTENES 1/4"/XLR ZUM XLR KABEL** verwenden oder Standard-**RCA KABEL** mit den **RCA (11)** oder **XLR (12)** Eingängen zum Stecker in den Lautsprecher. Um anzuschließen **MIKROPHONE** können Sie **MIC 1** verwenden mit **1/4"** oder **XLR**, zum in **1/4" (9)** zu verstopfen oder **XLR (10)** Eingänge.
3. Sie können die **ZUSÄTZLICHE LINIE AUSGANG STECKFASSUNGEN (7, 13 & 14) KETTE-VERBINDUNG** auch verwenden ein zusätzlicher Lautsprecher mit einem zusätzlichen Lautsprecher **KABEL**.

KETTE-VERBINDUNG:

Nur **1** zusätzlicher Lautsprecher kann jedem Lautsprecher in einer **KETTENVERBINDUNG** Einstellung hinzugefügt werden. Schließen Sie Ihre Lautsprecher zuerst folgen dann den Schritten für eine **NORMALE** Einstellung, Ihr **VERSTÄRKER** sollte die Extralautsprecher entschädigen an.

ANMERKUNG: BEZIEHEN SIE BITTE SICH DEN AUF ANSCHLUSS-FÜHRER AUF SEITE 5 FÜR AUSFÜHRLICHE ANWEISUNGEN!

BETRIEBSANWEISUNGEN:

Die Lautsprecher können in den Paaren für eine **NORMALE** Einstellung benutzt werden oder in den Gruppen von vier, wenn sie zusammen **KETTE-VERBUNDEN** werden.

GX-200:

1. Drehen Sie jetzt an Ihren **MISCHER** oder andere Signalquelle.
2. Schalten Sie dann Ihren **VERSTÄRKER** ein und erhöhen Sie die **AUSGABE** oder **GEWINNEN** Sie Steuerung, wie durch das **VERSTÄRKER**-Inhaberhandbuch empfohlen.
3. Fangen Sie an, von Ihrer **DREHSCHIEBE**, von **DIGITALSCHALLPLATTE SPIELER**, von **MIC**, von **etc.** zu spielen und justieren Sie die Lautstärkereglern von Ihrem Mischer auf ein angemessenes Niveau.

GX-250:

1. Erste schalten Ihren **MISCHER/MIKROPHONE** ein, oder andere Signalquelle, schalten dann Ihren **LAUTSPRECHER**, die **ENERGIE LED (22)** ist beleuchtete ein. Fangen Sie an, von Ihrer Drehscheibe, von **DIGITALSCHALLPLATTE SPIELER**, von **MIC**, von **etc.** zu spielen und justieren Sie die Lautstärkereglern von Ihrem **MISCHER/von MIKROPHONEN** auf ein angemessenes Niveau.
2. Verwenden Sie die Kontrollen des **MIC 1/LINE IN NIVEAUS (15, 16)**, um **MIC 1 (9, 10)** zu justieren oder **LINIE (11, 12)** in den Niveaus. Die Kontrollen des **MIC/LINE NIVEAUS (15, 16)** können verwendet werden, um das Niveau der **LINIE AUS (13, 14)** Signalen außerdem zu justieren.
3. Verwenden Sie die Steuerung **DES LAUTSPRECHER-NIVEAUS (17)**, um das gesamte Niveau des **LAUTSPRECHERS** zu justieren, und verwenden Sie das **TREBLE (18)** u. Kontrollen **DES BASSES (19)**, um die **TREBLE** u. **BASS**-Niveaus zu justieren. Wenn Ihr **MIC 1/MIC 2 (9, 10), LEITUNGSSTUFE (11, 12)** oder **LAUTSPRECHER-NIVEAU (17)** zu laut ist oder den **CLIP LED (21)** sind beleuchteten verzerrte, an diesem Punkt justieren Sie Ihre Ausgabe auf ein passendes Niveau.

SPEZIFIKATIONEN:

SEHEN SIE SEITE 10 FÜR SPEZIFIKATIONEN.

TRETEN SCHWIERIGKEITEN ODER PROBLEME AUF, BITTE WENDEN SIE SICH AN IHREN ZUSTÄNDIGEN GEMINI STÜTZPUNKTHÄNDLER. WEITERE INFORMATIONEN UNTER WWW.GEMINIDJ.COM

INTRODUCCIÓN:

Felicitaciones en su compra de un sistema del altavoz de la **GX-SERIE**, dirigido y fabricado por los **Productos de Gemini Sound**. La nueva gama del altavoz de los **Géminis GX** incluye la tecnología muy más última en diseño ligero del **ABS**. El diseño trapezoidal para un sonido más exacto y más exacto estos altavoces agregará la definición sana creciente en frecuencias vocales. Disponible como cualquiera **10"** las unidades pasivas o accionadas y terminan con las manijas para el transporte fácil hacen la nueva **GX-SERIE** una adición magnífica a la línea comprensiva del altavoz de **Gemini's**. Este altavoz avanzado es sostenido por una garantía de tres años.

CARACTERÍSTICAS:

GX-200: Caja acústica profesional pasiva de 10" dos vías en plástico ABS

- 100 vatios RMS, 250 vatios de pico
- Motor de compresión con diafragma de titanio
- Woofer con chasis de aluminio & bobina de alta temperatura
- Entradas y salidas con Speakon (linkables)
- Vaso interno de alojamiento de pies de baffles.
- Plástico ABS de alta duración & rejilla metálica
- Puntos de anclaje & asas de transporte desmontables
- Bolsa protectora vinílica con bolsillo para cables con velcro (incluida)
- Cuñas de inclinación para montaje como monitor de escenario (incluidas)

GX-250: Caja acústica profesional activa de 10" dos vías en plástico ABS

- 100 vatios RMS, 250 vatios de pico con amplificador interno
- Motor de compresión con diafragma de titanio
- Woofer con chasis de aluminio & bobina de alta temperatura
- Entrada micro con XLR y jack 1/4"
- Entrada línea con XLR y RCA
- Salida auxiliar para linkear con XLR y jack 1/4"
- Leds de alimentación y clip
- Mezclador interno de mic/línea con control de ganancia, graves y agudos
- Vaso interno de alojamiento de pies de baffles.
- Plástico ABS de alta duración & rejilla metálica
- Puntos de anclaje & asas de transporte desmontables
- Bolsa protectora vinílica con bolsillo para cables con velcro (incluida)
- Cuñas de inclinación para montaje como monitor de escenario (incluidas)

PRECAUCIONES:

1. Deberán leerse todas las instrucciones de operación antes de usar el equipo.
2. Para reducir el riesgo de shock eléctrico, no abra esta unidad. No contiene **PIEZAS REEMPLAZABLES POR EL USUARIO**. Por favor, refiera el servicio a un técnico de servicio calificado.
3. No exponga la unidad a la luz solar directa ni a una fuente de calor, por ejemplo, un radiador o estufa.
4. Esta unidad sólo deberá limpiarse con un paño húmedo. Evite el uso de disolventes u otros detergentes de limpieza.
5. Para mover este equipo, colóquelo en la caja y empaque original, a fin de reducir el riesgo de daños durante el transporte.
6. **NO DEJE ESTA UNIDAD EXPUESTA A LLUVIA O HUMEDAD.**
7. **NO USE LIMPIADORES DE ROCÍO O LUBRICANTES EN CUALESQUIER CONTROLES O INTERRUPTORES.**

SELECCIÓN DEL VOLTAJE DE LÍNEAL:

El modelo **GX-250** series es un modelo de doble voltaje. Puede funcionar con **115** ó **230** voltios. Para cambiar el voltaje, siga los pasos siguientes:

1. Coloque la punta de un destornillador en el centro de la **VOLTAGE SELECTOR (24)** que se encuentra en el panel posterior.
2. Deslice la llave para **115** o para **230** voltios.
3. No fuerce ni tuerza la llave. El hecho de aplicar fuerza excesiva puede causar daño. Si la llave no se mueve con suavidad, póngase en contacto con un técnico calificado.
4. Plug en el **GX-250**, usando el cable de transmisión provisto, en la **ENTRADA DE LA CA (23)**.
5. El fusible está situado dentro de la **ENTRADA DE LA CA (23)**. Cuando uso reemplazando un fusible del mismo valor solamente.

DISPOSICIÓN:

Utilice el hardware de montaje proporcionado para una etapa que supervisa la disposición. Resbale las piernas plásticas dentro de los agujeros en el lado del altavoz. Refiera a la **GUÍA** de la **DISPOSICIÓN** para la localización. Usted puede también utilizar un altavoz hace una pausa insertando un soporte en el **ZÓCALO** del **MONTAJE** del **SOPORTE (3)**, aprieta con el **PERNO** de **FIJACIÓN (8)**. Otra manera de setup el altavoz es utilizar los **PUNTOS** del **APAREJO** del **ALTAVOZ (2)**, hardware de montaje se debe utilizar colgar el altavoz cuando sea apropiado. El altavoz está parado y el hardware de montaje está disponible por separado. Los **PIES DE GOMA (4)** están para apilar los altavoces encima de uno a dentro de los **SURCOS QUE APILAN (1)** localizados en la porción superior del altavoz. Utilice el **FÁCIL LLEVAN LA MANIJA (5)** para el transporte fácil.

CONEXIONES:

Se cerciora de su equipo está totalmente **APAGADO** y también más bajo **TODO** el **VOLUMEN**, **NIVEL**, y **CONTROLES** del **AUMENTO** y antes de conectar el altavoz.

1. Para el uso **GX-200** un **CABLE** de **SPEAKON™** de su **LÍNEA** del **AMPLIFICADOR** hizo salir al **GATO** de la **ENTRADA** de **SPEAKON™ (6)**.
2. Para el **GX-250** usted puede conectar un **MEZCLADOR** o los **MICRÓFONOS** directamente en su altavoz. Para su **MEZCLADOR** usted puede utilizar, un **1/4"/XLR** equilibrado al **CABLE** de **XLR**, o los **CABLES** estándares de **RCA**, usando las entradas de **RCA (11)** o de **XLR (12)** al enchufe en el altavoz. Para conectar los **MICRÓFONOS** usted puede utilizar **MIC 1** con **1/4"** o cable de **XLR** a tapar en el **1/4 (9)** o entradas de **XLR (10)**.
3. Usted puede también utilizar el **CADENA-ACOPAMIENTO AUXILIAR** de los **GATOS** de la **SALIDA** de la **LÍNEA (7, 13, Y 14)** un altavoz adicional usando un **CABLE** adicional del altavoz.

CADENA-ACOPAMIENTO:

Solamente **1** altavoz adicional se puede agregar a cada altavoz en una disposición del **ACOPAMIENTO** de **CADENA**. Conecte sus altavoces primero entonces siguen los pasos para una disposición **NORMAL**, su **AMPLIFICADOR** debe compensar para los altavoces adicionales.

NOTA: ¡REFIERA POR FAVOR A LA GUÍA DE LAS CONEXIONES EN LA PÁGINA 5 PARA LAS INSTRUCCIONES DETALLADAS!

INSTRUCCIONES DE FUNCIONAMIENTO:

Los altavoces se pueden utilizar en los pares para una disposición **NORMAL**, o en grupos de cuatro cuando **CADENA-ESTA'N** ligados juntos.

GX-200:

1. Ahora dé vuelta encendido al su **MEZCLADOR** o a la otra fuente de la señal.
2. Entonces gire su **AMPLIFICADOR** y aumente el **VOLUMEN** o **GANE** el control según lo recomendado por el manual del dueño de los **AMPLIFICADORES**.
3. Comience a jugar de su **PLACA GIRATORIA**, **LECTOR DE CD**, **MIC**, etc. y ajuste los controles de volumen de su mezclador a un nivel razonable.

GX-250:

1. El primeros giran su **MEZCLADOR/MICRÓFONOS** o la otra fuente de la señal, entonces gira su **ALTAVOZ**, la **ENERGÍA LED (22)** será se encendió. Comience a jugar de su **PLACA GIRATORIA**, **LECTOR DE CD**, **MIC**, etc. y ajuste los controles de volumen de su **MEZCLADOR/MICRÓFONOS**, a un nivel razonable.
2. Utilice los controles del nivel de **MIC/LINE (15, 16)** para ajustar **MIC 1**, **MIC 2 (9, 10)**, o **LÍNEA EN (11, 12)** niveles. Los controles del nivel de **MIC/LINE (15, 16)** se pueden utilizar para ajustar el nivel de la **LÍNEA FUERA (13, 14)** de señales también.
3. Utilice el control del **NIVEL** del **ALTAVOZ (17)** para ajustar el nivel total del **ALTAVOZ**, y utilice el **TRIPLES (18)** y **BAJOS (19)** los controles para ajustar los niveles **TRIPLES** y **BAJOS**. Si es su **MIC 1/MIC 2 (9, 10)**, el **NIVEL** de **LÍNEA (11, 12)**, o el **NIVEL** del **ALTAVOZ (17)** es demasiado ruidosos o torció el **CLIP LED (21)** se encendió, a este punto ajuste su volumen a un nivel apropiado.

ESPECIFICACIONES:

VEA LA PÁGINA 10 PARA LAS ESPECIFICACIONES.

EN CASO DE TENER DUDAS O DIFICULTADES CON ESTE APARATO, LLAME A GEMINI ATENCION AL CLIENTE (ESPAÑA) : 93 436 37 00

INTRODUCTION:

Félicitations sur votre achat d'un du haut-parleur **GX-SÉRIE**, machiné et construit par des **Produits de Gemini Sound**. La nouvelle gamme de haut-parleur des **Gemini GX** inclut la technologie la dernière dans la conception légère **d'ABS**. La conception trapézoïdale pour un bruit plus précis et plus précis ces haut-parleurs ajoutera la définition saine accrue sur des fréquences vocales. Disponible en tant que l'un ou l'autre **10"** les unités passives ou de puissance et accomplissent des poignées pour le transport facile font à la nouvelle **GX-SÉRIE** une addition superbe à la ligne complète de haut-parleur de **Gemini's**. Ce haut-parleur du dernier cri est soutenu par une garantie de trois ans.

CARACTÉRISTIQUES:

GX-200:

- Enceinte Professionnelle ABS 2 voies
- Puissance : 100 W RMS / 250 W PGM
- Compression 1.5"
- Boomer 10" (31cm) avec châssis en aluminium
- Entrée/Sortie: 2 connecteurs Speakon
- Embase pour pied d'enceinte
- Fabrication ABS Haute Résistance avec grille de protection
- Points d'accroche & poignée de transport amovible
- Livrée avec housse de transport
- Livrée avec 2 équerre pour utilisation en retour de scène

GX-250

- Enceinte Professionnelle Amplifiée ABS 2 voies
- Puissance : 100 W RMS / 250 W PGM
- Compression 1.5"
- Boomer 10" (31cm) avec châssis en aluminium
- 1 entrées micro (XLR & Jack 6.35) + gain
- 1 entrée ligne (XLR & RCA) + gain
- Entrée/Sortie (XLR & Jack 6.35) pour branchement série
- LEDs témoin: alimentation & clip
- Volume master & double correction Grave / Aigu +/- 12dB
- Embase pour pied d'enceinte
- Fabrication ABS Haute Résistance avec grille de protection
- Points d'accroche & poignée de transport amovible
- Livrée avec housse de transport
- Livrée avec 2 équerre pour utilisation en retour de scène

AVERTISSEMENTS:

1. On devrait lire toutes les consignes d'exploitation avant d'utiliser ce matériel.
2. Afin de réduire le risque de choc électrique, n'ouvrez pas l'appareil. Il n'y a pas de **PIÈCES REMPLAÇABLES À L'INTÉRIEUR**. Veuillez soumettre l'entretien/la réparation à un technicien qualifié.
3. Ne pas exposer cet appareil aux rayons du soleil direct ou à une source de chaleur telle qu'un radiateur ou un poêle.
4. Cet appareil devrait être nettoyé seulement avec un chiffon humide. Évitez les solvants et autres détergents de nettoyage.
5. Quand on déplace ce matériel, il devrait être mis dans son carton et son emballage d'origine. Ceci réduira le risque de dégâts pendant le transport.
6. **NE PAS EXPOSER CET APPAREIL À LA PLUIE OU À L'HUMIDITÉ.**
7. **N'UTILISEZ PAS DE PRODUIT DE NETTOYAGE AVEC VAPORISATEUR OU LUBRIFIANT SUR AUCUN DES BOUTONS OU DES INTERRUPTEURS.**

CHOIX DE LA TENSION DU SECTEUR:

Le modèles **GX-250** est un appareil à double tension. Il fonctionne en **115** ou **230** volts. Régler la tension appropriée, suivez les étapes ci-après:

1. Placez la tête d'un tournevis au centre du **VOLTAGE SELECTOR (24)** qui se trouve sur le panneau arrière.
2. Glissez l'interrupteur à sur **115** ou **230** volts.
3. Ne forcez pas ou ne tordez pas le sélecteur de tension. Une force excessive pourrait endommager l'appareil. Si l'interrupteur ne se déplace pas facilement, prenez contact avec un technicien compétent.
4. Plug dans le **GX-250**, à l'aide du câble électrique fourni, dans **l'ADMISSION à C.A. (23)**.
5. Le fusible est situé dans **l'ADMISSION à C.A. (23)**. Quand utilisation remplaçant un fusible de la même valeur seulement.

INSTALLATION:

Utilisez le matériel de support fourni pour une étape **SURVEILLANT L'INSTALLATION**. Glissez les jambes en plastique dans les trous du côté du haut-parleur. Référez-vous au **GUIDE D'INSTALLATION** pour l'endroit. Vous pouvez également employer un haut-parleur vous tenez prêt insérant un stand dans la **DOUILLE de SUPPORT de STAND (3)**, serrez à l'aide de la **CHEVILLE DE VERROUILLAGE (8)**. Une autre manière d'installer le haut-parleur est d'employer les **POINTS de CALAGE de HAUT-PARLEUR (2)**, matériel de support devrait être employée pour accrocher le haut-parleur le cas échéant. L'orateur se tient et le matériel de support sont disponible séparément. Les **PIEDS EN CAOUTCHOUC (4)** sont pour empiler les haut-parleurs sur l'un l'autre dans les **CANNELURES d'EMPILEMENT (1)** localisées sur la partie supérieure du haut-parleur. Employez le **FACILE PORTENT LA POIGNÉE (5)** pour le transport facile.

CONNEXIONS:

S'assurent votre équipement est complètement au **LOIN** et également inférieur **TOUS** les **VOLUME, NIVEAU**, et **COMMANDES de GAIN** et avant de relier le haut-parleur.

1. Pour l'usage **GX-200** un **CÂBLE de SPEAKON™** de votre **LIGNE D'AMPLIFICATEUR** a produit au **CRIC d'ENTRÉE de SPEAKON™ (6)**.
2. Pour le **GX-250** vous pouvez relier un **MÉLANGEUR** ou des **MICROPHONES** directement dans votre haut-parleur. Pour votre **MÉLANGEUR** vous pouvez employer, un **1/4"/XLR** équilibré au **CÂBLE de XLR**, ou les **CÂBLES de RCA** standard, en utilisant les entrées de **RCA (11)** ou de **XLR (12)** à la prise dans le haut-parleur. Pour relier des **MICROPHONES** vous pouvez employer **MIC 1** ou **MIC 2** avec **1/4"** ou câble de **XLR** à brancher au **1/4" (9)** ou entrées de **XLR (10)**.
3. Vous pouvez également employer le **CHAÎNE-LIEN AUXILIAIRE** des **CRICS** de rendement de **LIGNE (7, 13, et 14)** un haut-parleur additionnel en utilisant un **CÂBLE** additionnel de haut-parleur.

CHAÎNE-LIEN:

Seulement **1** haut-parleur additionnel peut être ajouté à chaque haut-parleur dans une installation de **MAILLON de CHAÎNE**. Reliez vos haut-parleurs suivent d'abord alors les étapes pour une installation **NORMALE**, votre **AMPLIFICATEUR** devrait compenser les haut-parleurs supplémentaires.

NOTA: GELIEVE TE VERWIJZEN NAAR DE GIDS VAN VERBINDINGEN OP PAGINA 5 VOOR GEDETAILLEERDE INSTRUCTIES!

INSTRUCTIONS D'EXPLOITATION:

Les haut-parleurs peuvent être employés dans les paires pour une installation **NORMALE**, ou dans les groupes de quatre une fois **CHAÎNE-LIÉS** ensemble.

GX-200:

1. Tournez maintenant dessus votre **MÉLANGEUR** ou toute autre source de signal.
2. Mettez alors en marche votre **AMPLIFICATEUR** et augmentez le **VOLUME** ou **GAGNEZ** la commande comme recommandé par le manuel de propriétaire **d'AMPLIFICATEURS**.
3. Commencez à jouer à partir de votre **PLATEAU TOURNE-DISQUES, LECTUER CD, MIC, etc.** et ajustez les commandes de volume à partir de votre mélangeur sur un niveau raisonnable.

GX-250:

1. Les premiers mettent en marche votre **MÉLANGEUR/MICROPHONES** ou l'autre source de signal, allument alors votre **HAUT-PARLEUR, la PUISSANCE LED (22)** sera s'est allumée. Commencez à jouer à partir de votre plateau tourne-disques, **LECTUER CD, MIC, etc.** et ajustez les commandes de volume à partir de votre **MÉLANGEUR/MICROPHONES** sur un niveau raisonnable.
2. Employez les commandes du niveau de **MIC/LINE (15, 16)** pour ajuster **MIC 1, MIC 2 (9, 10)**, ou **LIGNE DANS (11, 12)** des niveaux. Les commandes du niveau de **MIC/LINE (15, 16)** peuvent être employées pour ajuster le niveau de la **LIGNE HORS (13, 14)** des signaux aussi bien.
3. Employez la commande du **NIVEAU de HAUT-PARLEUR (17)** pour ajuster le niveau global du **HAUT-PARLEUR**, et employez le **TRIPLES (18)** et **BAS (19)** des commandes pour ajuster les niveaux **TRIPLES** et **BAS**. Si votre **MIC 1/MIC 2 (9, 10), NIVEAU À CORDE (11, 12)**, ou **NIVEAU de HAUT-PARLEUR (17)** est trop fort ou tordait **l'AGRAFE LED (21)** seront s'allumaient, ajustez en ce moment votre volume sur un niveau approprié.

CARACTÉRISTIQUES:

VOIR LA PAGE 10 POUR DES CARACTÉRISTIQUES.

EN CAS DE PROBLEME, MERCI DE CONTACTER LE SAV AU 01 69 79 97 79.

SPECIFICATIONS:

	GX-200	GX-250
Woofer Magnet Weight:	40 Oz.	40 Oz.
Woofer Voice Coil:	50.5 mm	50.5 mm
Woofer Impedance:	8 Ohms	4 Ohms
Woofer RMS Wattage:	150 Watts	150 Watts
Woofer Peak Wattage:	300 Watts	300 Watts
Compression Driver Magnet Weight:	12.5 Oz.	12.5 Oz.
Compression Driver Diaphragm Size:	34.45 mm	34.45 mm
Compression Driver RMS Wattage:	50 Watts	50 Watts
Compression Driver Peak Wattage:	100 Watts	100 Watts
Crossover Specification:	2.5 Khz, 12 dB/Oct.	2.5 Khz, 12 dB/Oct
Nominal Horn Dispersion:	40° X 90°	40° X 90°
Sensitivity:	97 dB/m/w	97 dB/m/w
Frequency Response:	50-20 Khz	50-20 Khz
Type of Amplifier:	N/A	MONO
Stand Mount Hole:	38 mm	38 mm
Cabinet Weight:	23.1 LB (10.5 kg)	26.4 LB (12 kg)
Shipping Weight:	26.4 lbs (12 kg)	29.7 LB (13.5Kg)
Cabinet Dimensions:		
GX-200/250: W (14.2" + 8.7") x D 10.4" x H 19.3"		
GX-200/250: W (360 + 220) x D 265 x H 490 MM		

Components/Features:

GX-200/250: Black ABS plastic molded shell, aluminum die-cast woofers, built-in stand mounting sockets, auxiliary line outputs, full metal grills, high temp voice coils, rigging points, rubber feet, stacking grooves & removable easy carry handles, zippered vinyl cover, stage mounts

GX-200: 10" Two-way passive loudspeaker, compression driver with titanium diaphragm, speakon™ input/output

GX-250: Powered 10" active two-way loudspeaker, compression driver with titanium diaphragm, built-in mixer with mic & line input/master/bass/treble controls, 1/4" & XLR mic inputs, RCA & XLR line inputs, 1/4" & XLR line outputs, clip & power LEDs

SPECIFICATIONS AND DESIGN ARE SUBJECT TO CHANGE WITHOUT NOTICE FOR PURPOSE OF IMPROVEMENT.

ESPECIFICACIONES:

	GX-200	GX-250
Peso Del Imán Del Woofer:	40 onzas.	40 onzas.
Bobina De la Voz Del Woofer:	50.5 mm	50.5 mm
Impedancia del Woofer Impedance:	8 Ohmio	4 Ohmio
Vataje del Rms Del Woofer:	150 Vatios	150 Vatios
Vataje Máximo Del Woofer:	300 Vatios	300 Vatios
Peso Del Imán Del Conductor De la Compresión:	12.5 Onzas.	12.5 Onzas.
Tamaño De Diaphragm Del Conductor De la Compresión:	34.45 mm	34.45 mm
Vataje del Rms Del Conductor De la Compresión:	50 Vatios	50 Vatios
Vataje Del Pico Del Conductor De la Compresión:	100 Vatios	100 Vatios
Especificación De la Cruce:	2,5 kHz, 12 dB/Oct.	2,5 kHz, 12 dB/Oct
Cuerno Nominal Dispersion:	40° X 90°	40° X 90°
Sensibilidad:	97 dB/m/w	97 dB/m/w
Respuesta De Frecuencia:	50-20 Khz	50-20 Khz
Tipo de amplificador:	N/A	MONO
Agujero Del Montaje Del Soporte:	38 mm	38 mm
Peso del gabinete:	23.1 LB (10.5 kg)	26.4 LB (12 kg)
Peso Del Envío:	26.4 lbs (12 kg)	29.7 LB (13.5Kg)
Dimensiones Del Gabinete:		
GX-200: W (360 + 220) x D 265 x H 490 MM / GX-250: W (360 + 220) x D 265 x H 490 MM		

Componentes/Características:

GX-200/250: Cáscara moldeada plástico negro del ABS, altavoces para bajas audiofrecuencias fundidos a troquel aluminio, conductor de la compresión con el diafragma titanium, zócalos incorporados del montaje del soporte, parrillas llenas de metal, bobinas de alta temperatura de la voz, puntos del aparejo, pies de goma, apilar surcos, manijas desprendibles, zippered la cubierta del vinilo, montajes de la etapa

GX-200: Altavoz pasivo de dos vías del 10", entrada y salida del speakon

GX-250: Altavoz de dos vías activo accionado del 10", mezclador incorporado con mic y línea controles de input/master/bass/treble, Entrada micro con XLR y jack 1/4", Entrada línea con XLR y RCA, Salida línea XLR y jack 1/4", Leds de alimentación y clip

DE ESPECIFICACIONES Y DISEÑO ESTÁN CONFORME A CAMBIO SIN EL AVISO PARA EL PROPÓSITO DE LA MEJORA.

SPEZIFIKATIONEN:

	GX-200	GX-250
Woofer-Magnet-Gewicht:	40 Unze.	40 Unze.
Woofer-Sprachspule:	50.5 mm	50.5 mm
Woofer-Widerstand:	8 Ohm	4 Ohm
Woofer Effektivwert Leistung- in Watt:	150 Watt	150 Watt
Woofer-Spitze Leistung- in Watt:	300 Watt	300 Watt
Kompression Treiber-Magnet-Gewicht-:	12.5 Unze.	12.5 Unze.
Kompression Treiber Diaphragm Größe:	34.45 mm	34.45 mm
Kompression Treiber Effektivwert Leistung in Watt:	50 Watt	50 Watt
Kompression Treiber-Spitze Leistung- in Watt:	100 Watt	100 Watt
Überkreuzungsspezifikation:	2,5 kHz, 12 dB/Oct.	2,5 kHz, 12 dB/Oct
Nominales Horn Dispersion:	40° X 90°	40° X 90°
Empfindlichkeit:	97 dB/m/w	97 dB/m/w
Frequenzgang:	50-20 Khz	50-20 Khz
Art-des Verstärkers:	N/A	Mono
Watt Standplatz-Einfassung Bohrung:	38 mm	38 mm
Schrank-Gewicht:	23.1 LB (10.5 kg)	26.4 LB (12 kg)
Versandgewicht:	26.4 lbs (12 kg)	29.7 LB (13.5Kg)
Schrank-Maße:		
GX-200: W (360 + 220) x D 265 x H 490 MM / GX-250: W (360 + 220) x D 265 x H 490 MM		

Bestandteile/Eigenschaften:

GX-200/250: Schwarzer geformtes Oberteil der ABS Plastik, Aluminium druckgegossene Woofers, Kompression Treiber mit Titanmembrane, eingebaute Standplatzmontageeinfassungen, volle Metallgrills, Hochtemperatursprachspulen, Takelungpunkte, Gummifüße, Stapeln der Nuten, entfernbare Handgriffe, zippered Vinylabdeckung, Stadium Einfassungen

GX-200: 10" Wechselseitiger passiver Lautsprecher, speakon Eingang/Ausgang

GX-250: Angetriebener 10" aktiver Zweiweglautsprecher, eingebauter Mischer mit mic u. Linie input/master/bass/treble Kontrollen, 1/4" u. XLR mic Eingänge, RCA u. XLR Linie Eingänge, 1/4" u. XLR Linie Ausgänge, Clip u. Energie LED

SPEZIFIKATIONEN UND DESIGN ABHÄNGIG VON ÄNDERUNG OHNE NACHRICHT ZUM ZWECK DER VERBESSERUNG.

CARACTÉRISTIQUES:

	GX-200	GX-250
Poids D'Aimant De Woofer:	40 onces	40 onces
Enroulement De Voix De Woofer:	50.5 mm	50.5 mm
Impédance De Woofer:	8 Ohm	4 Ohm
Puissance en watts Du Woofer RMS:	150 Watts	150 Watts
Puissance en watts Maximale De Woofer:	300 Watts	300 Watts
Poids D'Aimant De Conducteur De Compression:	12.5 Oz.	12.5 Oz.
Compression Driver Diaphragm Size:	34.45 mm	34.45 mm
Taille De Diaphragm De Conducteur De Compression:	50Watts	50 Watts
Puissance en watts De Crête De Conducteur De Compression:	100 Watts	100 Watts
Spécifications De Croisement:	2.5 Khz, 12 dB/Oct.	2.5 Khz, 12 dB/Oct
Klaxon Nominal Dispersion:	40° X 90°	40° X 90°
Sensibilité:	97 dB/m/w	97 dB/m/w
Réponse en Fréquence:	50-20 Khz	50-20 Khz
Type d'amplificateur:	N/A	Mono
Trou De Bâti De Stand:	38 mm	38 mm
Poids De Cabinet:	23.1 LB (10.5 kg)	26.4 LB (12 kg)
Poids D'Expédition:	26.4 lbs (12 kg)	29.7 LB (13.5Kg)
Dimensions De Cabinet:		
GX-200: W (360 + 220) x D 265 x H 490 MM / GX-250: W (360 + 220) x D 265 x H 490 MM		

Composants/Dispositifs:

GX-200/250: Coquille moulée par plastique noir d'ABS, conducteur de compression avec le diaphragme titanique, woofers coulés sous pression par aluminium, douilles intégrées de support de stand, pleins grills en metal, enroulements à hautes températures de voix, points de calage, pieds en caoutchouc, empiement des cannelures, poignées démontables, zippered la couverture de vinyle, bâtis d'étape

GX-200: Haut-parleur passif bi-directionnel de 10", entrée-sortie de speakon

GX-250: Haut-parleur bi-directionnel actif actionné de 10", mélangeur intégré avec mic et ligne commandes d'input/master/bass/treble, 1/4" et XLR entrées de mic, Ligne entrées de RCA et XLR, 1/4" et XLR sorties de ligne, agrafe et puissance LED

LES CARACTÉRISTIQUES ET LA CONCEPTION SONT SUJETTES AU CHANGEMENT SANS COMMUNICATION PRÉALABLE POUR LE BUT DE L'AMÉLIORATION.

gemini[®]

IN THE USA: IF YOU EXPERIENCE PROBLEMS WITH THIS UNIT, CALL 1-732-738-9003 FOR GEMINI CUSTOMER SERVICE. DO NOT ATTEMPT TO RETURN THIS EQUIPMENT TO YOUR DEALER.

Parts of the design of this product may be protected by worldwide patents. Information in this manual is subject to change without notice and does not represent a commitment on the part of the vendor. Gemini Sound Products Corp. shall not be liable for any loss or damage whatsoever arising from the use of information or any error contained in this manual. No part of this manual may be reproduced, stored in a retrieval system or transmitted, in any form or by any means, electronic, electrical, mechanical, optical, chemical, including photocopying and recording, for any purpose without the express written permission of Gemini Sound Products Corp. It is recommended that all maintenance and service on this product is performed by Gemini Sound Products Corp. or its authorized agents. Gemini Sound Products Corp. will not accept liability for loss or damage caused by maintenance or repair performed by unauthorized personnel.



**Worldwide Headquarters • 120 Clover Place, Edison, NJ 08837 • USA
Tel: (732) 738-9003 • Fax: (732) 738-9006**

**France • Gemini France (GSL) • 1, Allee d'Effiat, Parc de l'Événement, 91160 Longjumeau, France
Tél: + 33 1 69 79 97 70 • Fax: + 33 1 69 79 97 80**

**Germany • Gemini Sound Products GmbH • Liebigstr. 16, Haus B - 3.0G, 85757 Karlsfeld, Germany
Tel: 08131 - 39171-0 • Fax: 08131 - 39171-9**

**UK • Gemini Sound Products • Unit C4 Hazleton Industrial Estate, P08 9JU Waterlooville, UK
Tel: 087 087 00880 • Fax: 087 087 00990**

**Spain • Gemini Sound Products S.A. • Rosello, 516, 08026 Barcelona, Spain,
Tel: 349-3435-0814 • Fax: 3493-347-6961**

© Gemini Sound Products Corp. 2004 All Rights Reserved.