

**DESCRIPTION:** The SiteLink-4 is a 32 bit microprocessor-based communications device that provides an interface for up to four Liebert Unit Controllers (IGM's). The SiteLink-4 communicates to either the SiteScan Monitoring System, or a third party software program utilizing a designated open standard protocol (i.e. Modbus or BACnet). This device communicates to the SiteScan Monitoring System via a twisted pair called the ARC156 network through an EIA-485 port at either 156K / 9600 or 38.4kbps baud. It communicates to the third party software monitoring system via a 9-pin DTE male EIA-232 connector (Portal Interface) or at the 5 pin EIA485 port communicating at either 9600bps or 38.4kbps baud. Four EIA-422 ports are provided to connect Liebert Information Gathering Modules.

**DIMENSIONS:**

Module:	7 1/2" H x 11 1/4" W
	19.05cm H x 28.58cm W
Enclosure:	12"H x 14.25" W x 2.85" D
(painted steel)	419.1mm x 301.3mm x 78.6mm

See Enclosure Diagrams for mounting options.

**POWER:** 24VAC  $\pm$  10%, 50-60 Hz., 7.2VA power consumption (120/24VAC 40VA transformer available).

**ENVIRONMENTAL**

**OPERATING RANGE:** 0° to 130° F (-17.8° to 54.4° C), 10 to 90% relative humidity, non-condensing

**COMMUNICATION:**

CMnet EIA-485 Port - Control Module network screw terminals  
 Switch selectable baud rates ARC156 / 9600 or 38.4bps  
*Recommended wire is: MAGNUM Cable pn A3-ARC-156-2*

Two (2) Portal Interface – One EIA-232, One EIA-485 2 / 4 wire (for Third Party software selectable baud rate, 9600bps or 38.4kbps)

One (1) Access port (for diagnostics)

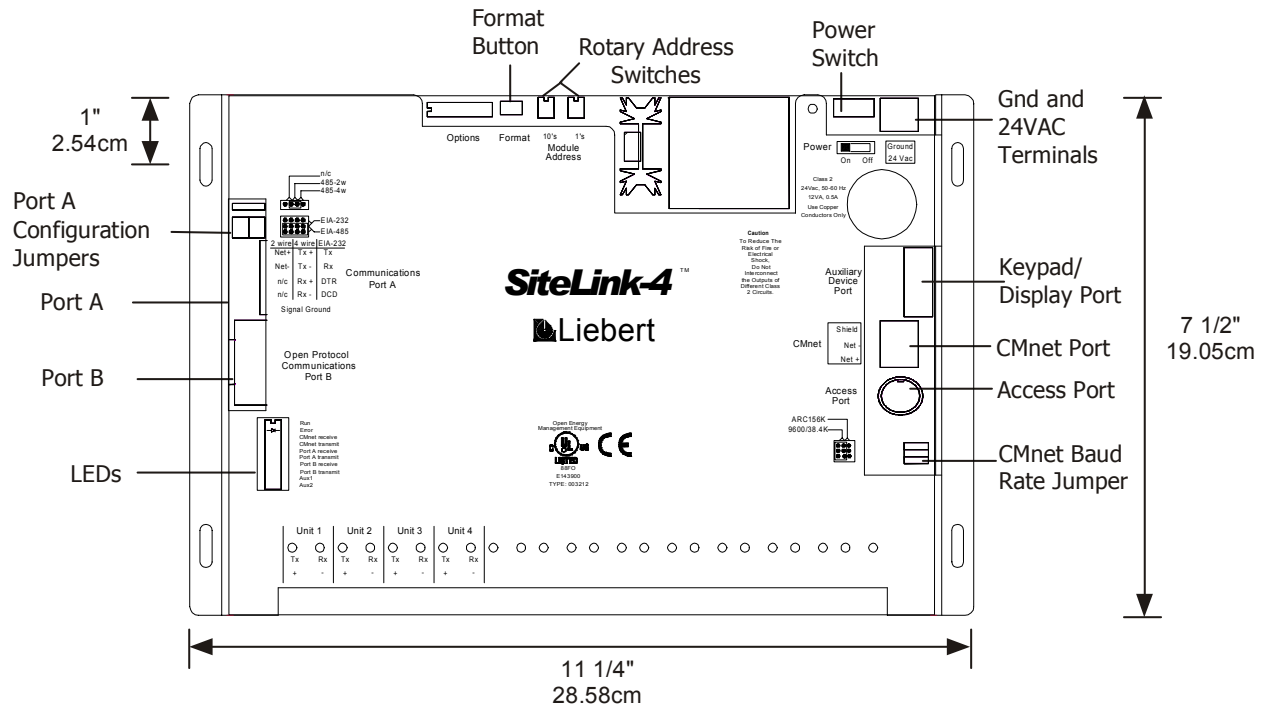
Four (4) EIA-422 Ports (for Liebert unit connection) - screw terminal

**MEMORY:** 1024 kB Flash memory and 1024 kB non-volatile battery-backed RAM.

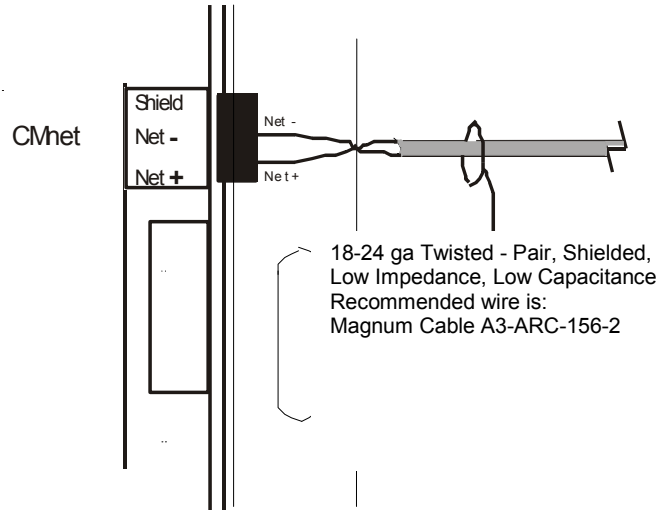
**PROTECTION:** Voltage, current, and ESD protection on incoming power and CMnet.

- BATTERY:** Seven-year lithium battery provides a minimum of 10,000 hours of data retention during power outages.
- LISTED:** UL 916 (PAZX), cUL C22.2 No. 205-M1983 (PAZX7), FCC Part 15 – Subpart B - Class A.
- DIAGNOSTIC LED's:**
- Power:** lights when power is being supplied to the module.
  - Run:** flashes to indicate a normal condition
  - Error:** lights when an error is detected
  - CMnet Transmit:** lights when the SiteLink-4 transmits data over the ARC156 network
  - CMnet Receive:** lights when the SiteLink-4 receives data from the AERC156 network
  - Port A Transmit:** lights when the SiteLink-4 transmits data over Port A
  - Port A Receive:** lights when the SiteLink-4 receives data from Port A
  - Port B Transmit:** lights when the SiteLink-4 transmits data over Port B
  - Port B Receive:** lights when the SiteLink-4 receives data from Port B
  - Unit (IGM Port) Transmit:** lights when the SiteLink-4 transmits data over an IGM port
  - Unit (IGM Port) Receive:** lights when the SiteLink-4 receives data from an IGM port

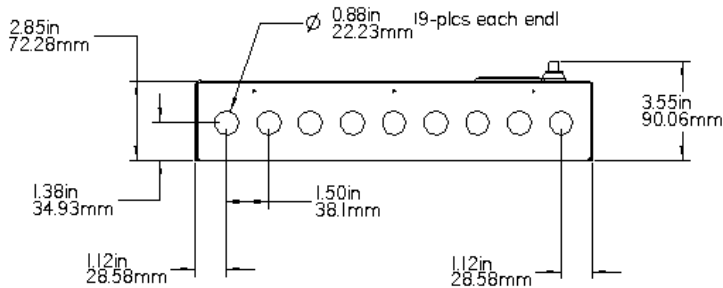
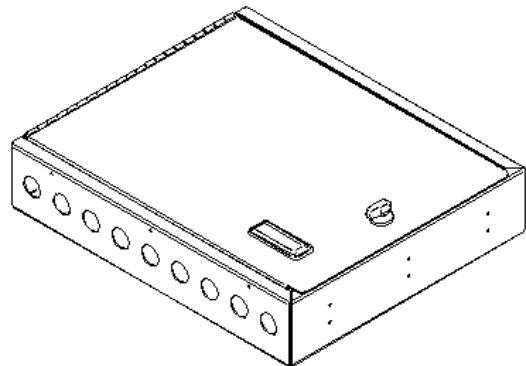
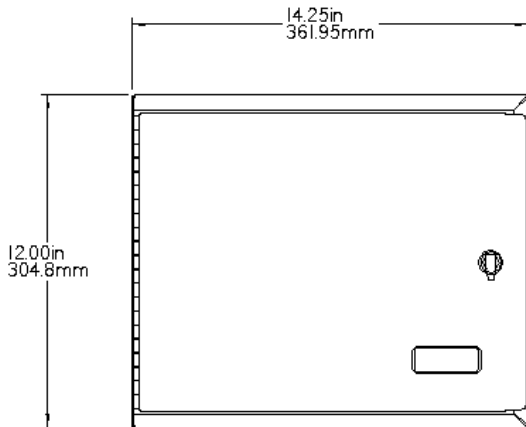
**MODULE DIMENSIONS AND LAYOUT**



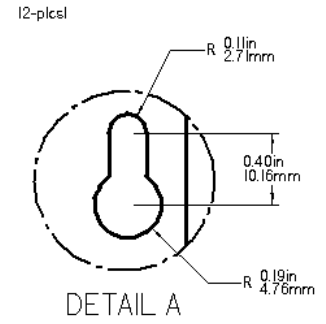
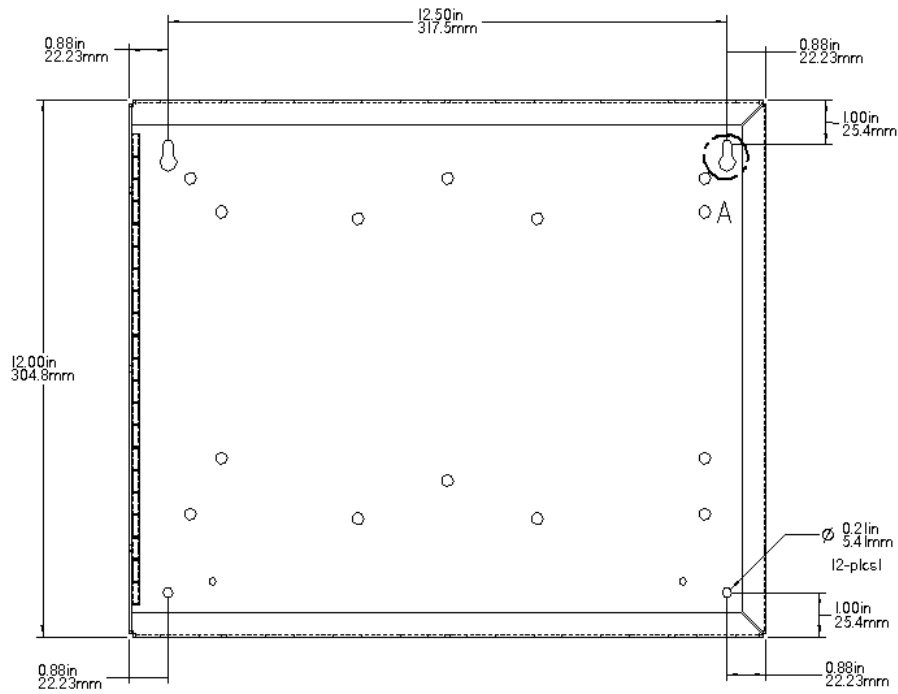
## COMMUNICATIONS WIRING DIAGRAM



## ENCLOSURE DIMENSIONS



**Enclosure Wall Mounting**



**Enclosure Floor Mounting**

