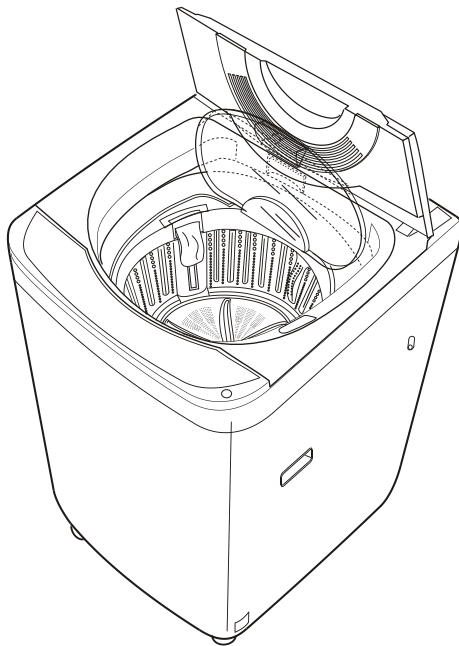


HLP22P
Fuzzy Computerized Automatic Washing Machine

Service Manual



● Features

- Two-drive, two-half, saving half water, saving half time
- Standard washing only costs 25 minutes
- Fuzzy control, reserve washing function
- 8 types of automatic programs, 10 steps of water level selection
- Free setting on soak time, wash time, spin time and rinse times,
meeting your personal demand

Haier Group

1.Contents..... 1

2. Features2

3. Specifications 3

4. Safety precautions.....4

5. Warning and cautions 5

6. Net dimension 6

7. Installation and accessory parts..... 6

8. Parts and functions 10

9. Program Diagram..... 11

10. Maintenance service and trouble shooting..... 13

11. Wiring diagram20

12. Exploded view..... 21

13. List of parts 23

● Brand new appearance

It adopts full streamline arc model with compact structure, novel and unique.

Dual power

The unique drive system of "Dual Power" washing machine has applied for the international patent. Basin-shape large pulsator drive system, and the inner wash tub power drive system, make the inner tub rotating with low speed like drum washing machine to reduce the abrasion, and rotating with small angle like agitator washing machine to reduce tangling. Therefore it realizes even anti-tangling washing, and produces powerful "boiling" current to acquire more powerful, even and cleaner washing effect.

Dual halvesaving half water, saving half time

Saving half water

It adopts the new technology of synchronized rinse and spin. It only costs 75L water for 5.0kg laundries, which is about a half of the common washing machine.

Saving half time

The Dual Power series automatic washing machine costs 25 minutes for standard program with cleaning ratio of 1.05, 50% higher than the national standard; it costs 15 minutes for the quick program with cleaning ratio reaching the national standard; it costs 6 minutes for super quick program, suitable for washing small quantity light soil laundries. The full set of washing programs can shorten the wash time significantly.

Boiling current

It produces "boiling" current under the powerful driving of the pulsator and inner tub with dual power drive system. The water current is even and powerful.

Basin-shape large pulsator

The large pulsator can produce stronger drive strength on the water. Meanwhile the concave basin shape reduces the direct contact between laundries and pulsator, and decreases the abrasion ratio.

Child lock function

It can prevent the children from operating the washing machine improperly and causing poor washing effect or damaging the children during washing procedure, and can guarantee the normal operation of the washing machine.

Music reminding function

It offers different music for each buttons on the computer board. You can not only get corresponding operation hint, but also enjoy the wonderful music.

Fuzzy control function

It can detect the cloth character and weight of the laundries, and set the best washing method, the best water level, the best washing speed and the best wash time, and realizes the best washing effect automatically.

Automatic power-off protection function

It will switch off the power automatically 5 minutes after the washing is finished.

Model		LP22P
Capacity		
Rated power	k	5.0
Rated speed	k	5.0
Level	L	1 16 2404 2838 7 42 874510
Reset		✓
Refrigerant		100
Compressor		
Non-coated		
Electrical		✓
Freezer		
Seals		
Forms		8
Shoe cl		✓
Interior select		
On stop		
Single select		
Single valve		
Start Pass		✓
Adjustance		✓
Aesthetics		L
Cabinet material		Black On Cold
Refrigerant		
Inner door		S
Drain type		drain
Door lock		
Accessories		✓
Temperature		
Voltage	V	120V 60
Energy consumption	kwh	0.115
Weight	L	a d 75
Weight	W	380
Weight	W	320
Serial number		
Air filter		
Feet		
Waterfall cover		
Dimensions		
Height	cm	90.8
Width	cm	52
Depth	cm	52