

BATTERY DRIVE, MICRO LINE THERMAL PRINTER 2" TYPE MECHANISM AND INTERFACE BOARD WITH MINIATURE CUTTER

FTP-624MCL303/304/FTP-624DSL113

■ OVERVIEW

FTP-624MCL303/304 is a high speed, battery driven thermal printer with a miniature cutter, printing on 2-inch wide paper (58mm/60mm). A newly developed, long life, compact, light weight cutter has been partnered with a FTP-624MCL mechanism to produce this new product.

The design allows easy maintenance, head cleaning, head replacement, and cutter replacement.

This printer is suitable for a variety of applications, such as hand held POS terminals, measurement and medical instruments.

A dedicated LSI (microcontroller) for driving the printer or an interface board mounting this LSI is also available.

■ HIGHLIGHTS

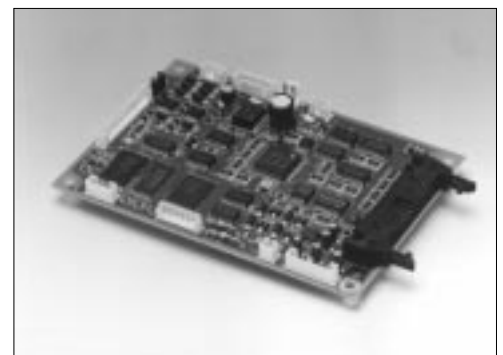
- **Long life**
Due to our proprietary cutter driving mechanism, the life of the cutter is 300,000 cuts.
- **High speed printing**
It can print at 60 mm/s (480 dotlines) maximum by using Fujitsu's unique head drive control.
- **Paper auto loading function**
Thermal paper can be loaded without head-up lever operation.
- **Two types of cut functions**
Full and partial cut are possible.
- **UL Recognized**
File No. E171434



FTP-624MCL303/304



FTP-624CU



FTP-624DSL113

FTP-624MCL303/304/FTP-624DSL113

■ DESIGNATION

Item		Part number
Printer mechanism		FTP-624MCL303/304*1
Interface board (Centronics /RS-232C)		FTP624DSL113*2
LSI	Micro Controller Unit	FTP-624CU112
Cables	Thermal head cable	FTP-624Y001
	Parallel interface cable	FTP-441Y201
	Serial interface cable	FTP-624Y301
	Power cables	FTP-621Y401 FTP-621Y601

*1: 303 is for front paper insertion (curl path) and 304 is for rear paper insertion (straight path).

*2: Includes ANK+Kanji and Flash Memory.

■ GENERAL SPECIFICATIONS

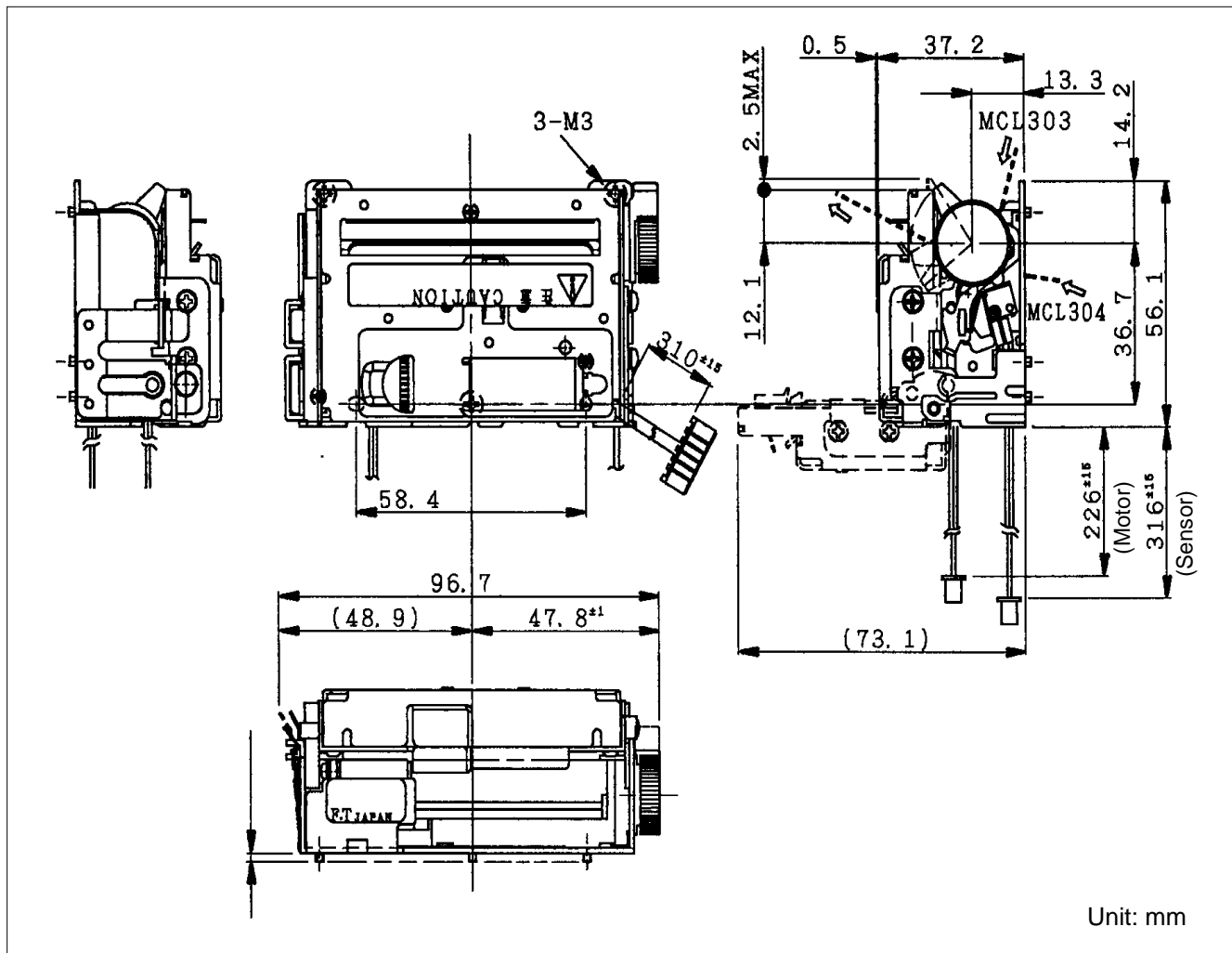
Item	Specifications
Part number	FTP-624MCL303/304
Printing method	Thermal-sensitive line dot method
Dot structure	384 dots/line
Dot pitch (Horizontal)	0.125 mm (8 dots/mm)—Dot density
Dot pitch (Vertical)	0.125 mm (8 dots/mm)—Line feed pitch
Effective printing area	48 mm
Paper width (MCL303)	58 mm
Paper width (MCL304)	60 mm
Paper thickness	60 to 100 μ m
Number of columns	32 columns/line (24 × 12 dot font)
Maximum printing speed	480 dotlines/s (60 mm/s) Conditions: 1 ply, printing on high sensitive thermal paper, 8 columns of "H" /line, double density 16 × 8 dot font, room temperature, 8.5 VDC drive
Character types	JIS ANK : 128 International : 195 ASCII : 31 JIS KANJI : approximately 6800
Character, dimensions (H×W), number of characters	24 × 12 dots, (3.0 × 1.5 mm), 32 columns 16 × 8 dots, (2.0 × 1.0 mm), 48 columns 16 × 16 dots, (2.0 × 2.0 mm), 24 columns 24 × 24 dots, (3.0 × 3.0 mm), 16 columns
Interface	Centronics / RS-232C (selectable by dip switch)

(Continued)

FTP-624MCL303/304/FTP-624DSL113

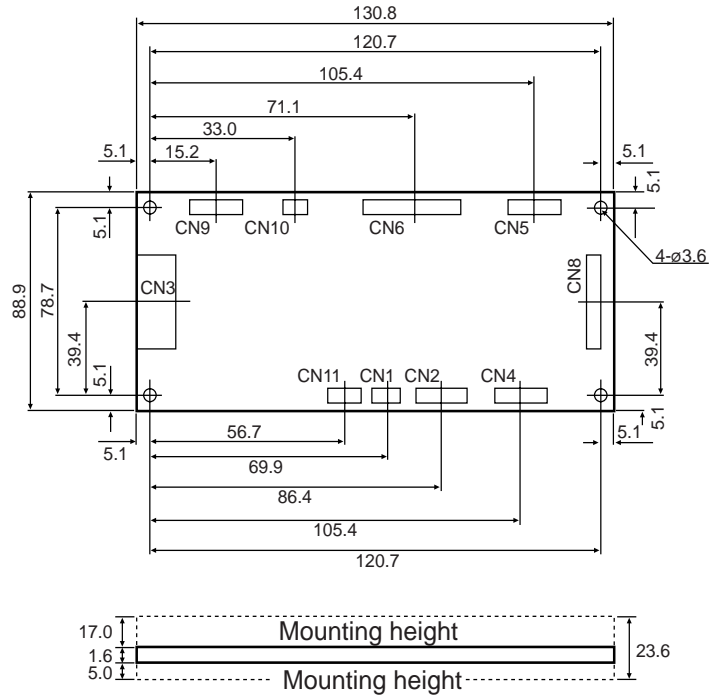
■ DIMENSIONS

Printer mechanism



FTP-624MCL303/304/FTP-624DSL113

Interface board



Unit: mm

■ CONNECTOR PIN ASSIGNMENT FOR PRINTER MECHANISM

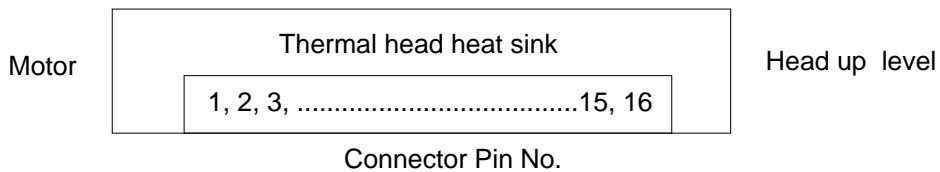
1. Thermal Head

Head side : B16B-PH-K-S-2.2 (J.S.T.) or equivalent

Board side : PHR-16 (J.S.T.) or equivalent



*1: Symbol: "—" means a negative logic signal



2. Motor connectors

Motor side : PHR-4 (J.S.T.) or equivalent

Board side : B4B-PH-K-S (J.S.T.) or equivalent

3. Sensor connectors

Sensor : PHR-5 (J.S.T.) or equivalent

Board side : B5B-PH-K-S (J.S.T.) or equivalent



3. Cutter

Mech side : EHR-4 (J.S.T.) or equivalent
 Board side : B4B-EH (J.S.T.) or equivalent

■ FUNCTION

Item	Item
1. Test print function	8. Cutter abnormality detection
2. Paper out detection	9. Motor power saving function
3. Paper near end detection	10. Mark detection function
4. Head up detection	11. MCU operation abnormality detection
5. Thermal head temperature abnormality detection	12. Power ON/OFF sequence protection
6. Blow-out fuse detection	13. Motor over-current protection
7. Head voltage abnormality detection	14. Hardware timer

Fujitsu Components International Headquarter Offices

Japan
 Fujitsu Component Limited
 Gotanda-Chuo Building
 3-5, Higashigotanda 2-chome, Shinagawa-ku
 Tokyo 141, Japan
 Tel: (81-3) 5449-7010
 Fax: (81-3) 5449-2626
 Email: promothq@ft.ed.fujitsu.com
 Web: www.fcl.fujitsu.com

North and South America
 Fujitsu Components America, Inc.
 250 E. Caribbean Drive
 Sunnyvale, CA 94089 U.S.A.
 Tel: (1-408) 745-4900
 Fax: (1-408) 745-4970
 Email: marcom@fcai.fujitsu.com
 Web: www.fcai.fujitsu.com

Europe
 Fujitsu Components Europe B.V.
 Diamantlaan 25
 2132 WV Hoofddorp
 Netherlands
 Tel: (31-23) 5560910
 Fax: (31-23) 5560950
 Email: info@fceu.fujitsu.com
 Web: www.fceu.fujitsu.com

Asia Pacific
 Fujitsu Components Asia Ltd.
 102E Pasir Panjang Road
 #04-01 Citilink Warehouse Complex
 Singapore 118529
 Tel: (65) 6375-8560
 Fax: (65) 6273-3021
 Email: fcal@fcal.fujitsu.com
www.fcal.fujitsu.com