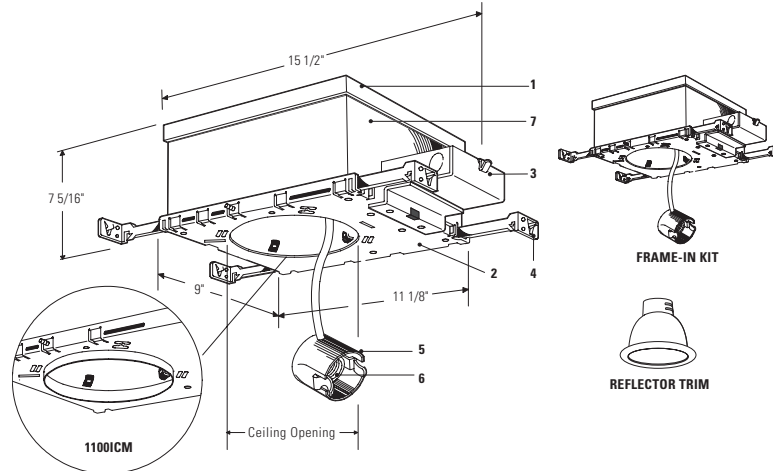


LIGHTOLIER® Lytecaster® Recessed Downlighting **1100IC**

Page 1 of 1

6 3/4" Aperture Incandescent Insulated Ceiling Frame-In Kit



Complete Fixture consists of Reflector Trim & Frame-In Kit. Select each separately.

Frame-In Kit	Reflector Trims — See Individual Reflector Trim Specification Sheets									
	Open Downlight					Adjustable			Enclosed Diffuser	Wall Washer
Reflector	Satin Cone	Sloped Ceiling	Baffles	Basic White	Cross Blade	Recessed Line Volt.	Recessed Low Volt.			
1100IC	1143	1108†	1131	1105	1170M1	1132	1129†	1155	1121	1185
	1144	1110†	1131WH	1105WH	1171		1129CD†	1155WH	1124	
1100ICM 3/8" Integral Plaster Lip	1144CD		1131GD	1175			1129WH	1158	1126	1186WH
			1131CL	1176			1129CL†	1160	1128	
			1131BK	1176WH			1129GD†	1161	1134	
			1133	1179M1			1129BK†	1161WH	1177SH	
			1133WH	1179WH				1163	1178SH	
			1133GD					1164	1190	
			1133CL							
			1133BK							
			1154							
	Cone:						Eyeball:		Open Wet:	
	1112†						1122		1184WH	
	1113†						1122WH		1184CD	
	1113BK†						1123			
	1113CD†						1123WH			
	1113WH						1182			

†Add NM to catalog number for Natural Metal finish.

Features

- Housing:** 0.026" (#20 ga.) galvanized steel. U.L. listed for direct contact with thermal insulation. Access door for inspection of junction box.
- Mounting Frame:** 0.036" (#20 ga.) galvanized steel. Accommodates all ceilings up to 1" thick. ICM version has 3/8" deep integral lip. Four slots are positioned 90° apart to simplify alignment. Push-in/twist-out rotoclips hold reflector flush to ceiling.
- Junction Box:** 2" x 4" x 4", 0.063" (#14 ga.) galvanized steel. U.L. listed for, maximum of 6 No. 12 ga., 90°C through branch circuit conductors. Quick release "L" shaped cover for outside access to wiring. Access door inside of housing allows easy inspection of wiring without removal of housing. Integral cable clamps permit attachment of nonmetallic Romex® or armored cable without the need for additional connectors.
- Mounting Bars:** 0.059" (#16 ga.) galvanized steel. 13" long bars extend to 27", rotatable and lockable, with integral T-bar tabs. Attach to wood joist or T-bar ceilings without need of accessories.
- Socket Housing:** Impact extruded aluminum or galvanized steel.
- Socket:** Porcelain medium base; nickel plated screw shell. Pre-wired with #18 ga. SF1 leads to junction box.
- Thermal Protector:** Meets NEC and U.L. requirements. Located inside housing.

Options & Accessories

- Mounting Bars:** **1976** - 13" set of (4)
- Plaster Ceiling Ring:** **1961** - 7/8" depth for wet plaster ceilings. Not for use with ICM housing.

Extra-Thick Ceiling Mounting Ring: 1967A - up to 2" thick ceilings.

Labels

UL (Type I.C., Suitable for Damp Locations), I.B.E.W.

Romex® is a registered trademark of General Cable Industries Inc.

Job Information	Type:
Job Name:	
Cat. No.:	
Lamp(s):	
Notes:	

631 Airport Road, Fall River, MA 02720 • (508) 679-8131 • Fax (508) 674-4710
 We reserve the right to change details of design, materials and finish.
 www.lightolier.com © 2008 Philips Group • D1008