



W20SF Food Mixer

Project _____
 Item _____
 Quantity _____
 CSI Section 11400 _____
 Approval _____
 Date _____

W20SF Food Mixer

Models

W20SF



Standard Features

- Powerful 1 hp motor with cord and plug
- Overload protection and no voltage release
- UL and NSF Listed
- Neoprene feet to minimize walking, rusting or counter damage
- Provisions for bolting to counter or table
- Permanently lubricated planetary head and attachment hub case
- Stainless steel 20-qt. bowl and wire whip
- Alloy flat beater

Options & Accessories

- 12-qt. bowl and accessories
- Bowl scraper in 20-qt. and 12-qt. sizes
- Stainless steel wing whip
- Pastry knife
- Mixer table with or without casters (see pictures) (Dimensions 18"W x 24" D x 22" H)
- Dough Hook

Specifications

The Varimixer Model W20SF is our most rugged 20-quart mixer, combining an industry-leading 1 hp drive with our proven variable speed transmission. This combination provides plenty of torque at the beater shaft for maximum batch sizes. The W20SF features very efficient agitators to quickly produce quality food products.

The W20SF can be equipped with a stainless steel automatic bowl scraper. The bowl scraper eliminates intermediate stopping during recipe preparation, saving time and improving sanitation.

The W20SF features a wide agitator speed range from 100 rpm to 400 rpm. The W20SF has the versatility and the performance to handle all your mixing needs from cake mix to the lightest whipped cream.

The W20SF frame is of welded plate steel construction for strength and rigidity. All ball bearings and needle bearings are sealed to protect from foodstuff and moisture damage. Durable powder coating finish is used on those surfaces not constructed of stainless steel.

Stainless steel is extensively used in the construction of the W20SF for quick cleanup and long life. The top cover, planetary cover, beater shaft, all agitator shafts, howl, whip wires, control handles and bowl clamps are constructed of stainless steel.

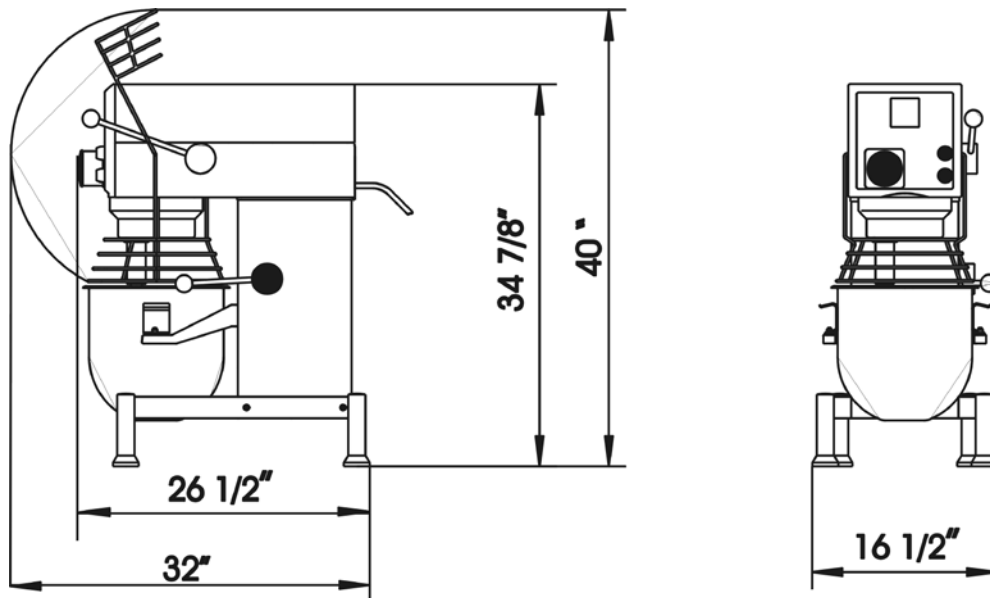


5489 Campus Drive
 Shreveport, LA 71129 USA

Tel: 318-219-7051
 Tel: 1-800-222-1138
 Fax: 318-635-3131
 E-mail: mix@varimixer.com

www.varimixer.com
 Bulletin No. W20SF 09/07

Enodis®



DIMENSIONS

MODEL NO.	CAPACITY	OVERALL SIZE (cm)			NET WEIGHT	SHIPPING INFORMATION						
		HEIGHT	WIDTH	LENGTH		WEIGHT	CLASS	CU. FT.	DIMENSIONS			
W20J	Large Bowl. 20-Qt. Small Bowl 12-Qt.	34.875" (88.6 cm)	16.5" (41.91 cm)	26.5" (67.3 cm)	216 lbs. (98 kg)	293 lbs. (133 kg)	85	25	H 47" (119.4 cm)	W 29" (73.7 cm)	L 32" (81.3 cm)	

ELECTRICAL DATA FOR MOTOR**

*115VAC Supply/60 HZ/1 Phase
 Feed Wires incl. Ground..... 3
 Motor PowerHP 1
 Amperes, full loadA 12
 Power cord included with plug NEMA 5-15P

MIXING SPEED

Agitator SpeedMin.....100
 Agitator SpeedMax.....400

CAPACITY CHART

Mashed Potatoes	Whip or Beater	17 lbs.
Whipped Cream	Whip	4 Qts.
Muffins	Beater	24 lbs.
Layer Cake	Beater	23 lbs.
Pie Dough	Pastry Knife	21 lbs.
Pancake Batter	Whip or Beater	9 Qts.
Cookie Dough	Beater	14 lbs.
Donuts, Cake	Beater	23 lbs.

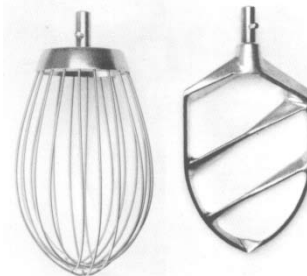
%AR= weight of water
weight of flour

Batch size and/or speed reduction is required if any of the following conditions exist.

1. High Gluten Flour
2. AR % under 40%
3. Water Temperature under 65 Degrees F

*On the nominal motor voltage, + or - 10% tolerance is allowed.

** Also available in 220/60/1, 220/50/1, 110/50/1. Not submitted for UL listing.



Standard tools: Whip, hook and beater.