

.IMPORTANT - READ OPERATOR'S MANUAL BEFORE OPERATION.

Seat Adjustment

Loosen Bolts on sliding brackets under each side of seat, slide seat forward or rearward to desired position. Re-tighten bolts. Do not operate mower with bracket bolts in a loose condition.

Mower Blade Operation

To start mower blades, move lever on floor slowly to "ENGAGE" position. To stop mower blades, move lever on floor slowly to "DISENGAGE" position.

Body Removal

1. Disconnect throttle cable from engine.
2. Disconnect the rear wiring loom (P/N 4109) from the body by lightly squeezing the Econo-Seal plug. This Is located at the left rear of the body.
3. Note: Loosen bolts that hold body switch (P/N 4079) and slide switch away from engaging rod. Tighten one bolt just enough to hold switch in this position until body is reassembled.
4. Remove 4 control lever bolts and remove upper control levers (P/N 1689 i 1690).
5. Remove engaging handle (P/N 6089) by removing bolt and nut under handle.
6. Remove the 2 attach nuts on floor of body and 2 sheet metal screws at the rear of body.
7. Place height adjustment lever in vertical position, engage parking brake and carefully lift body up and off chassis.
8. Reverse the above procedure for assembly.

Safety Checks

With the mower deck in the engaged position slide the body switch (P/N 4079) toward the engaging rod (P/N 6038) until the switch leaf just makes contact with the switch button. Tighten both bolts in switch bracket. with mower deck engaged, attempt to start engine in all cutting height positions. if engine starts in any cutting height position, re-adjust the switch. Disengage the mower deck and start the engine in each cutting height position. If engine fails to start in any cutting height position, re-adjust switch. with operator in normal mowing position, engage mower deck and remove weight from seat. The engine should stop. Repeat this procedure in each cutting height position. If engine does not stop when operator rises from seat in each cutting height position, return to an authorized Dixon dealer for adjustment or repairs.

Parking Brake Adjustment

Remove body as described above. Tighten nut on brake rod (P/N2533) (Located in front of the transaxle on each side.), just enough to prevent brake from slipping when engaged. CAUTION: Over tightening may cause premature wear on brake band (P/N 5085).

Mower Drive Belt Adjustment

Belt tension for mower drive belt (P/N 2412) is adjusted by loosening nut on the connecting arm assembly (P/N 2148) and turning bolt to achieve desired tension. Re-tighten nut. Tension should be checked with belt in engaged position.

Removing Mower Deck

1. Remove engaging handle (P/N 6089) by removing bolt and nut under handle.
2. Loosen belt keeper (P/N 2234) located under engine by loosening 2 rear engine mount bolts to allow mower deck drive belt to come free of rear pulley. Re-tighten belt keeper.
3. Remove 4 attach pins (P/N 6107) and clips from 4 mower deck attach points and 2 stabilizer bars (P/N 6159).
4. Raise front of mower chassis to allow mower deck engaging rod (P/N 6038) to clear the chassis. At this time, mower may be rolled free of mower deck for service and/or replacement.
5. To re-install, reverse the above procedure.

Removing Mower Cutter Blade

Secure mower cutter blade (P/N 2406) from turning (observe blade position when removing) remove blade bolt from center of blade.



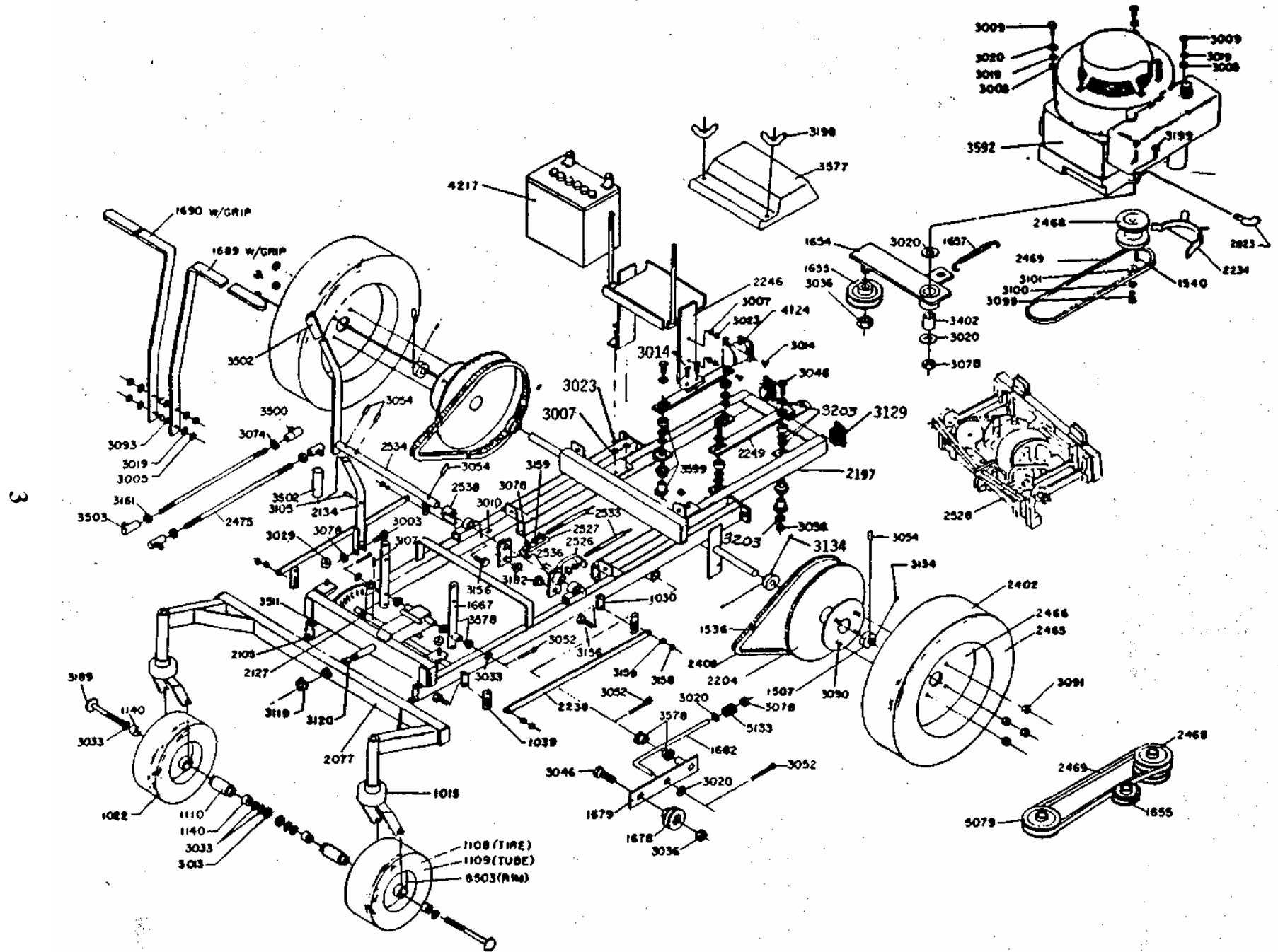
DIXON INDUSTRIES, INC. BOX 494 COFFEYVILLE, KANSAS 67337-0494 (316) 251-2000

P/N 8536 (H/83)

PARTS LIST FOR 2TR 310

PART #	NAME	PART#	NAME	PART #	NAME
1015	Caster	2641	Mower Deck Hub Sub Assy	3182	Flip Lock Bushing
1022	Caster Wheel & Tire	2642	Mower Deck Hub	3187	# 10 - 32 Hex Nut
1030	Upper Lift Link	2645	Blade Shaft	3188	# 10 Ex. Tooth Lockwasher
1039	Lower Lift Link	2647	Blade Washer	3189	½ - 13 x 5 ½ Carriage Bolt
1046	Lift Tule Short	2648	Deck Hub Key	3194	Face Nut 5/8 - 32
1108	Tire - Front Wheel	2668	Stiffener for Deck	3197	5/8 - 11 Jam Lock Nut
1109	Inner Tule-Front Wheel	2678	Engaging Rod w/brake	3198	¼ - 20 Wing Nut w/ny
1110	Caster Axle Bushing	2823	Oil Drain Assembly	3199	5/16 -18 x 2 ¼ HH Bolt
1140	Caster Wheel Bearing	3000	5/16-24 UNC Hex Locknut	3203	3/8 SAE Washer
1507	Wheel/Deck Hub Bearing	3003	5/16-18 UNH x 1 ½ HH Bolt	3401	Tube
1536	Chain Connecting Link	3005	5/16-18 UNH HH Bolt	3402	Bronze Bushing
1540	Engine Shaft Key	3007	¼ - 20 UNC Hex Nut	3500	Ball Joint / Control Rod RH Thread
1544	Bellcrank	3008	¼ x 3/4 Flatwasher	3502	Hand Grip
1636	Bellcrank Kit	3009	5/16-18 x 1 3/4 HH Bolt Gr. 5	3503	Ball Joint / Control Rod LH Thread
1647	Control Pin	3010	½ x 2 ¼ Rd. Hd. Nut	3504	Bouble Ball Joint
1654	Transaxle Idler Bracket	3012	3/8-16 UNC Hex Nut	3507	Floor Pad - Long
1655	Transaxle Idler Pulley	3013	½ - 13 UNC Hex Locknut	3508	floor Pad - Short
1657	Transaxle Idler Spring	3014	¼ - 20 UNC x 3/4 HH Bolt Gr. 2	3511	Adhesive Bumper Pad
1667	Lower Control Lever	3019	5/16 Helical Lockwasher	3521	Engaging Cam Mount Bushing
1678	Flat Idler Pulley	3020	5/16 Std. Flatwasher	3531	Decal - Operating Instruktion
1679	Chain Tensioner Bracket	3023	¼ Helical Lockwasher	3532	Decal - Blade Drive
1682	Chain Tensioner "L" Rod	3029	Front Gromment	3536	Warning Label - Danger
1689	Upper Control Lever w/grip L	3031	5/16 - 18 UNC Acorn Nut	3577	Battery Cover
1690	Upper Control Lever w/grip R	3032	½ Helical Lockwasher	3578	Nylon Bushing
2077	Walking Beam	3033	½ SAE Flatwasher	3585	Decal - Cutting Height
2100	Bumper	3035	½ - 13 UNC Jam Locknut	3588	Dical - Ignition Switch
2105	Bumper Pad	3036	3/8 -16 UNC Hex Locknut	3598	Model Decal
2127	Quadrant Spring	3046	3/8 -16 UNC x 2 HH Bolt	3599	Iso Mount
2134	Lift Handle	3047	3/8 - 24 UNF Hex Locknut	3603	Iso Insert
2147	Connecting Arm Bracket	3050	# 10 - 24 UNC Hex Locknut	4009	Wire Clip
2148	Connecting Arm Assembly	3051	# 10 -24 UNC x 1 3/4 Soc. Hd. Bolt	4013	Wire Tie
2149	Torque Rod	3052	3/32 x 3/4 Cotter Pin	4047	Seat Switch
2154	Hub Pulley Spacer	3053	# 10 x 1 HH SM Screw	4075	10 Amp Fuse
2155	Hub Bearing Spacer	3054	3/16 x 1 Roll Pin	4079	Body Switch
2159	Engaging Idler Spacer	3056	5/16 Fender Washer	4092	Fuse Holder
2164	Support Sprocket Spacer	3057	1/8 x 2 Cotter Pin	4109	Real Wiring Loom
2166	Pivot Bolt	3058	3/16 x 3/4 Roll Pin	4115	Wiring Kit
2172	Swivel Fitting	3060	5/16 x 18 UNC x 3/8 Socket Set Screw	4120	Body Wiring Loom
2179	Switch Bracket - Body	3061	# 10 - 24 UNC x 1 ¼ Rd. Hd. Screw	4124	Solenoid
2180	Switch Bracket - Switch Sect	3063	3/8 Helical Lockwasher	4148	Seat Angle
2185	Body	3065	3/16 Std Flatwasher	4162	Butt Connector
2197	Frame	3066	# 10 - 24 UNC x 1 Rd. Hd. Screw	4197	Ignition Switch
2203	Wheel Hub Assembly	3067	1/8 x 1 3/4 Hair Pin Cotter	4201	Switch Key for 4197
2204	Wheel Hub	3072	5/16 - 24 UNF Hex Jam Nut	4204	Flex Guard Wiring Cover
2234	Belt Keeper	3074	3/8 - 24 UNF Hex Jam Nut	4209	Throttle Cable
2237	Tie Bar Assembly	3076	3/8 - 24 UNF Hex Nut	4211	Solenoid Starter Cable
2238	Tie Bar	3078	5/16 -18 UNC Hex Locknut	4215	Solenoid / Battery Cable
2246	Battery Box	3080	# 6 -32 x 1 Rd Hd Screw	4216	Battery Ground Cable
2249	Mounting Bar	3081	# 6 -32 UNC Hex Nut	4217	Battery
2402	Rear Wheel & Tire	3082	# 6 - Lockwasher	4236	Red Wire W / Terminal
2406	30" Mower Blade	3083	¼ - 20 UNC x ½ Rd. Hd. Bolt	5005	Discup
2408	Drive Chain Assembly	3088	¼ -20 x 1 HH Bolt Gr. 5	5007	Cone Frame
2411	V - Pulley	3090	½ -20 UNF x 1 ¼ HH Bolt Gr. 2	5012	Cradle Shaft
2412	Deck Drive Belt	3091	½ - 20 UNC Hex Lug Nut	5015	Sprocker - 24 T
2413	V - Idler Pulley	3092	½ -20 UNF x 1 ¼ HH Blade Bolt Gr. 5	5018	Sprocker 9T - Narrow
2414	Engaging Idler Bushing	3093	5/16 -18 UNC HH Bolt	5019	Transaxle Chain
2417	Control Rod Assembly	3098	5/16 -18 x 3 HH Bolt	5021	Sprocker 9T - Wide
2422	Name Decal	3099	7/16 - 20 UNF x 3/4 HH Bolt Gr. 5	5028	Transaxle Bearing
2452	Engaing Ikler Bushing	3100	7/16 HD Flatwasher	5036	Pivot Spring
2460	Parking Brake Decal	3101	7/16 Lockwasher - Helical	5046	Positive Neutral Rod
2463	Seat (S/N 5746 to Date)	3103	3/8 -24 x 1 HH Bolt Gr. 5	5047	Positive Neutral Spring
2465	Rear Tire (16x6.50-8.00)	3105	¼ x 1 ¼ HD Spiral Pin	5050	Positive Neutral Kit
2466	Rear Rim (16x6.50-8.00)	3107	¼ x 1 ½ HD Spiral Pin	5079	HD Transaxle Pulley
2468	Double Engine Pulley	3116	5/16 - 18 UNC x 1 Carriage Bolt	5084	Brake Drum
2469	Transaxle Drive Belt	3118	Disc Spring	5085	Brake Band
2475	Control Rod	3119	Retaining Ring	5103	Eye Bolt
2504	Rront Tube	3120	Nylon Showlder Bushing	5106	Cone Frame Assembly
2509	Support Shaft	3124	5/16 - 18 UNC x 6 HH Bolt	5109	Molded Cone / Keyed
2514	Torque Rod Stiffener R	3128	7/16 - 14 UNC Hex Jam Nut	5110	Cone Frame Shaft
2515	Torque Rod Stiffener L	3129	Plastic Tube Closure	5111	Sleeve (fits 5110)
2526	Brake Link L	3133	# 8 - 32 x ½ Tr. 3 Screw	5112	Key Sq. 3/16 x 1 ½ (fit 5110)
2527	Brake Link R	3134	¼ - 28 x ¼ Soc. Set Screw	5128	Cradle L
2529	Rear Tube	3136	Pop Rivet	5129	Cradle R
2532	Spacer 5/16 x .203	3138	Std. Steel Burr. 103	5133	Cradle Spring
2533	Brake Rod	3156	5/16 - 18 UNC 2A x 1.125 Long HH Bolt	6059	Flat Idler Pulley
2534	Brake Handle	3157	# 8 - 32 TR 3 x ½ Whiz Lockhead Sc.	6089	Engaging Handle
2536	Brake Arm	3158	5/16 -18 UNC Hex Locknut Gr. 8	6107	Deck Pin
2538	Brake Arm Stop	3159	Disc Spring	6159	Stabilizer Arm
2542	Support Casting L	3161	5/16 - 24 UNF Nut LH Thread	6185	Engaging Cam
2543	Support Casting R	3176	Snap Bushing	8502	Caster Axle Kit
2612	Engaging Idler	3180	¼ -20 Hex Locknut	8503	Front Rim
2626	Deflector Sheet	3181	Woodruff Key #605		
2640	Mower Deck Hub Assy				

Illustration - Chassis Assembly (Model ZTR 310)



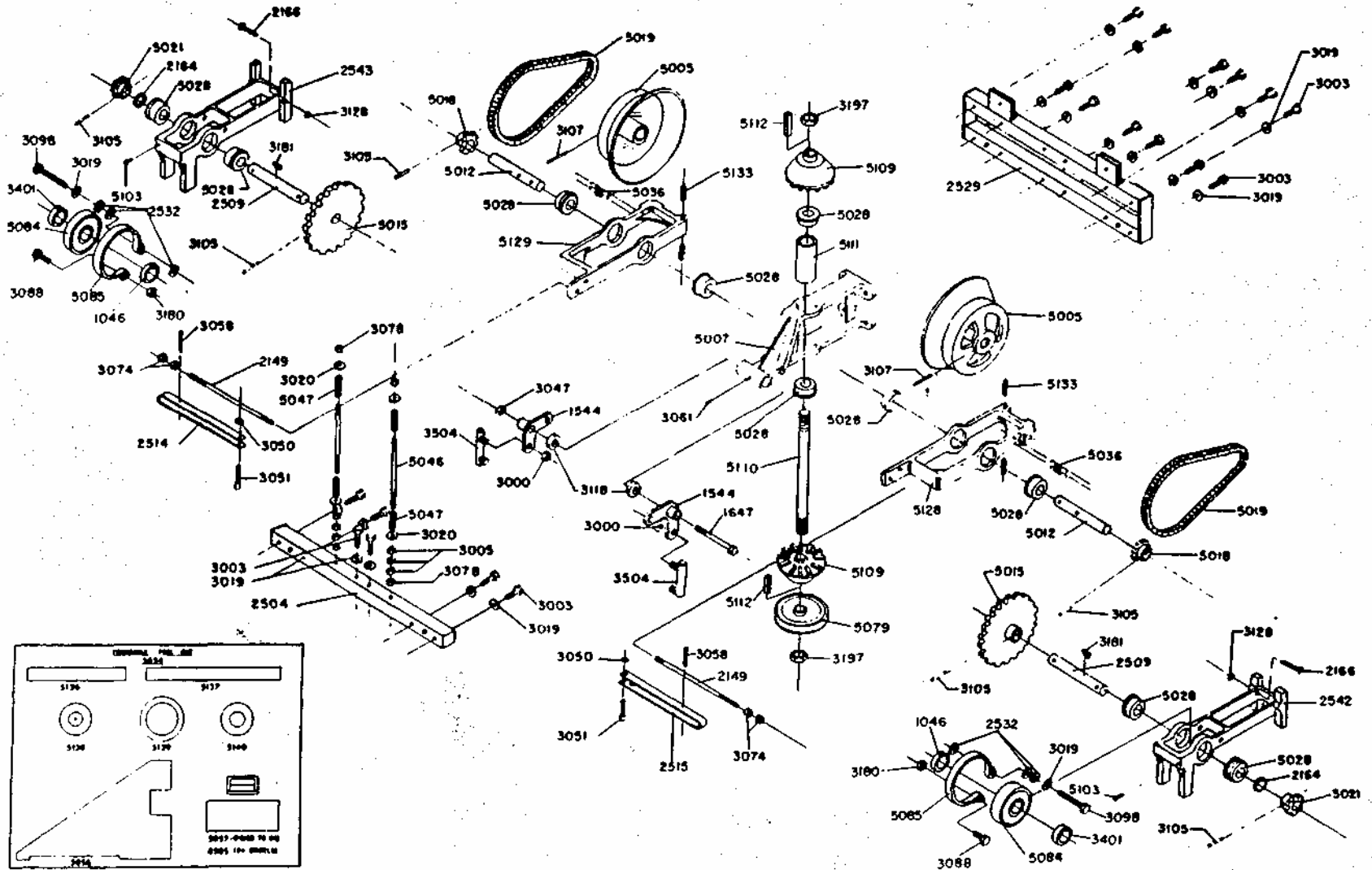
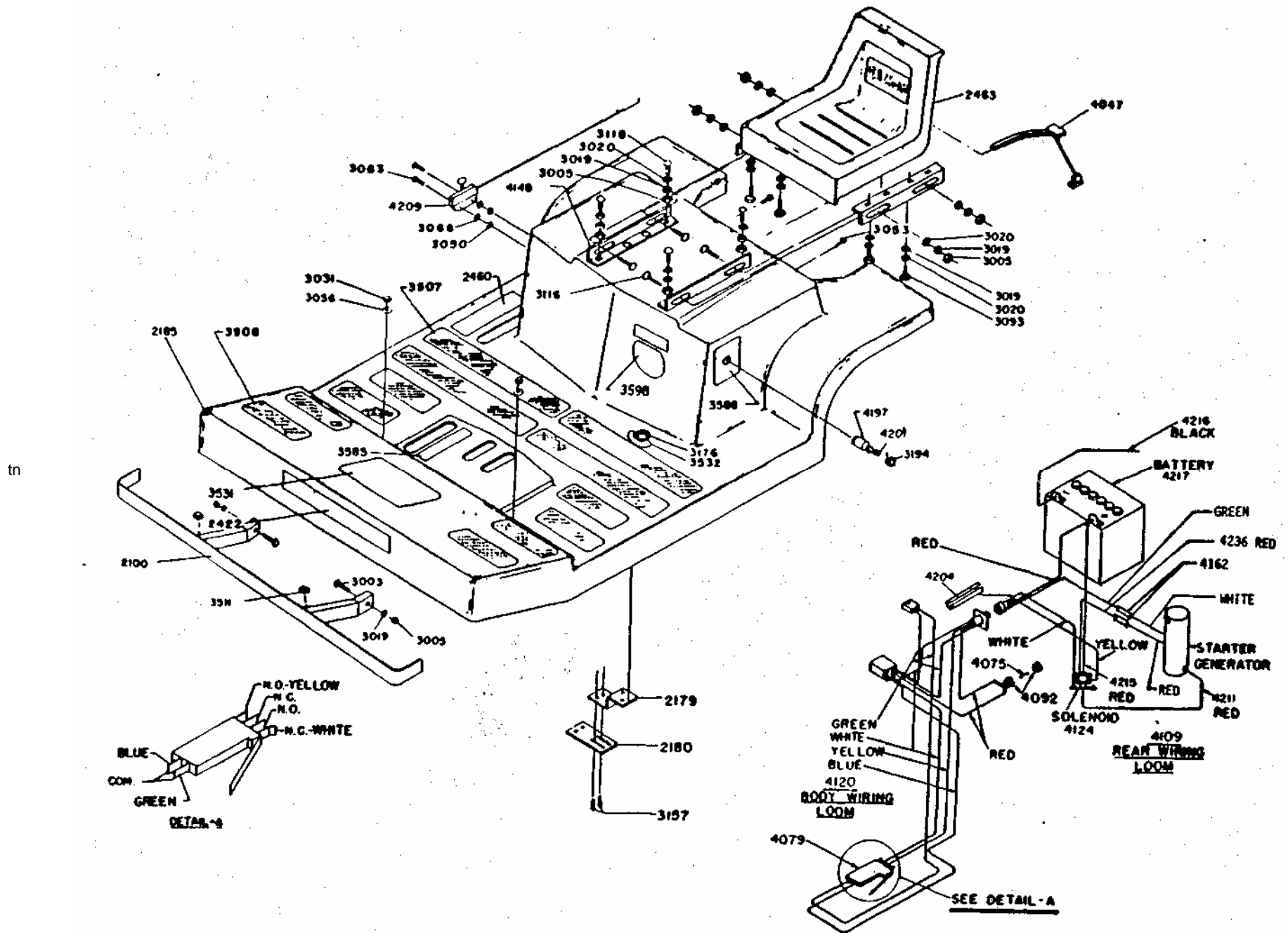


Illustration - Transaxle Assembly (Model ZTR 310)

Illustration - Body Assembly (Model ZTR 310)



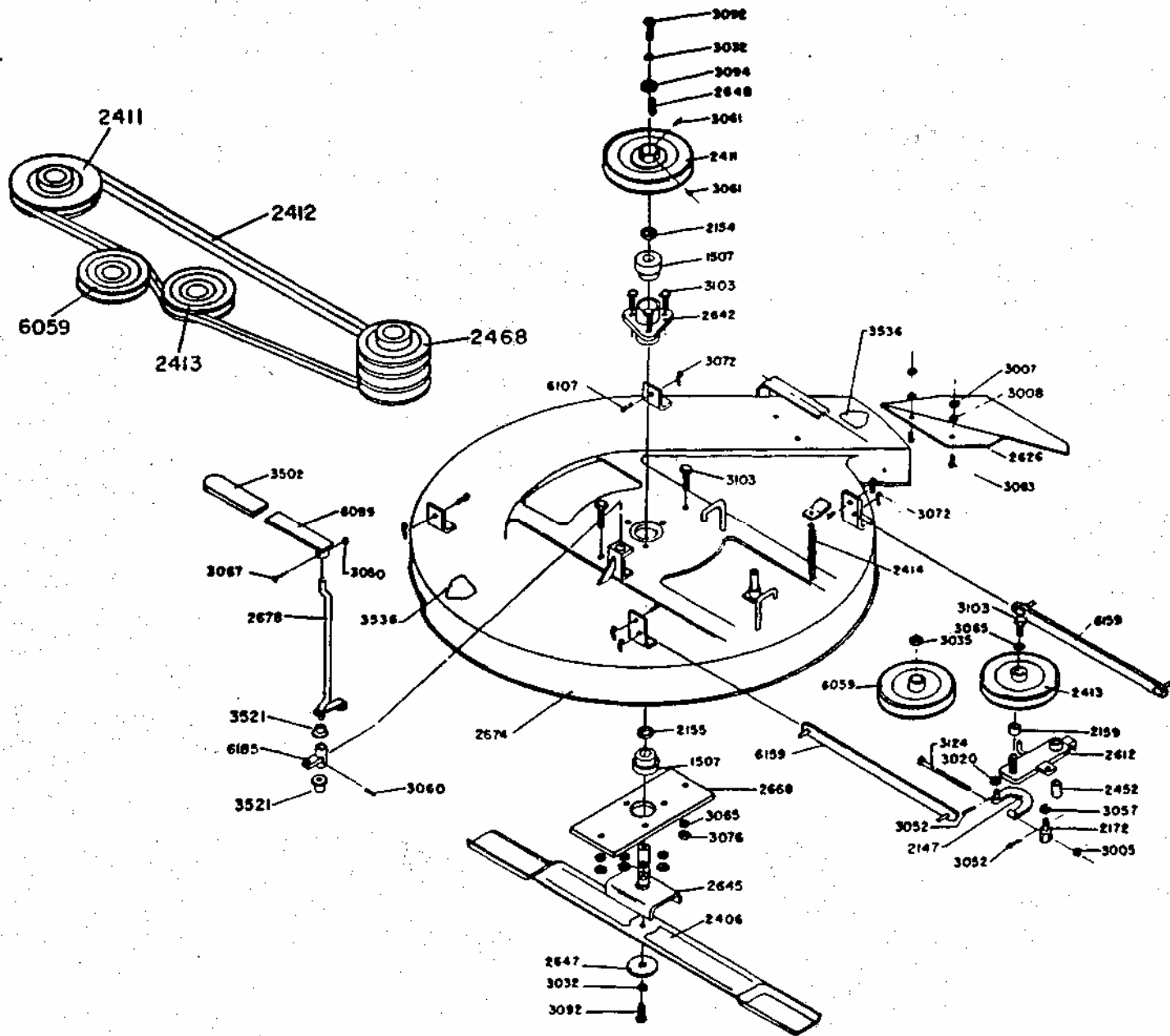


Illustration – Mower Deck Assembly 30" (Model ZTR 310)