

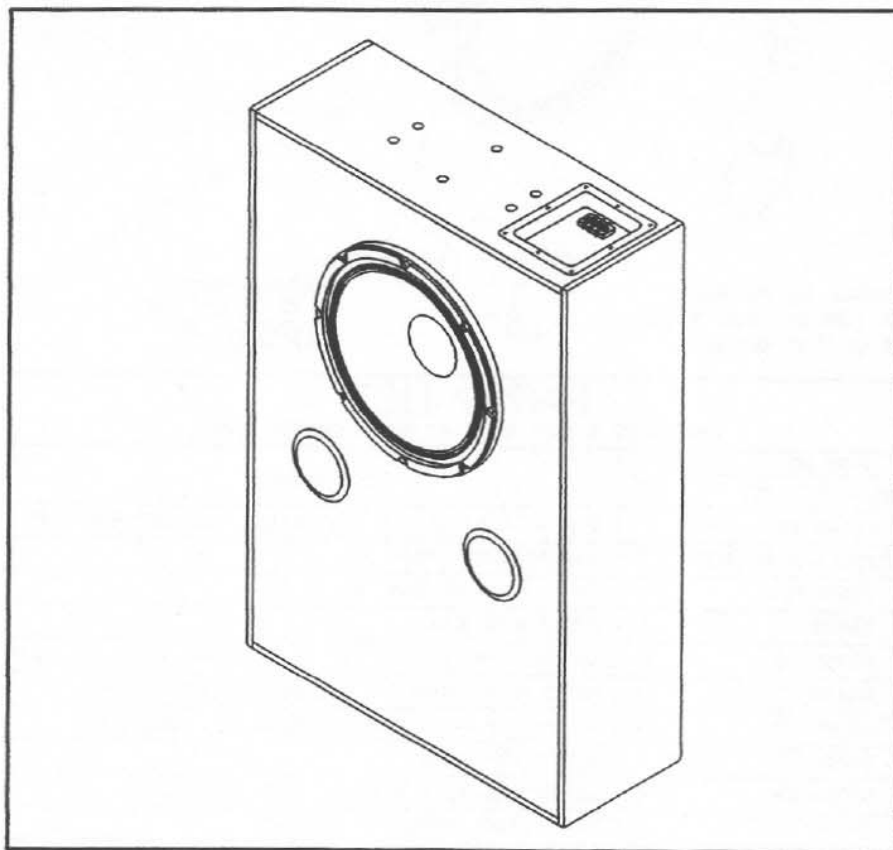


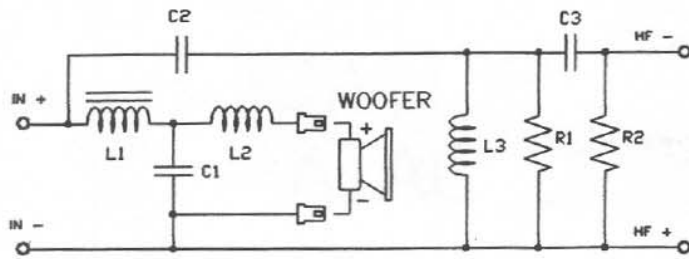
**Electro-Voice®**  
TELEX/EVI Audio  
600 Cecil Street  
Buchanan, Michigan 49107  
Phone: 616-695-6831  
FAX: 616-695-4743

# SERVICE DATA

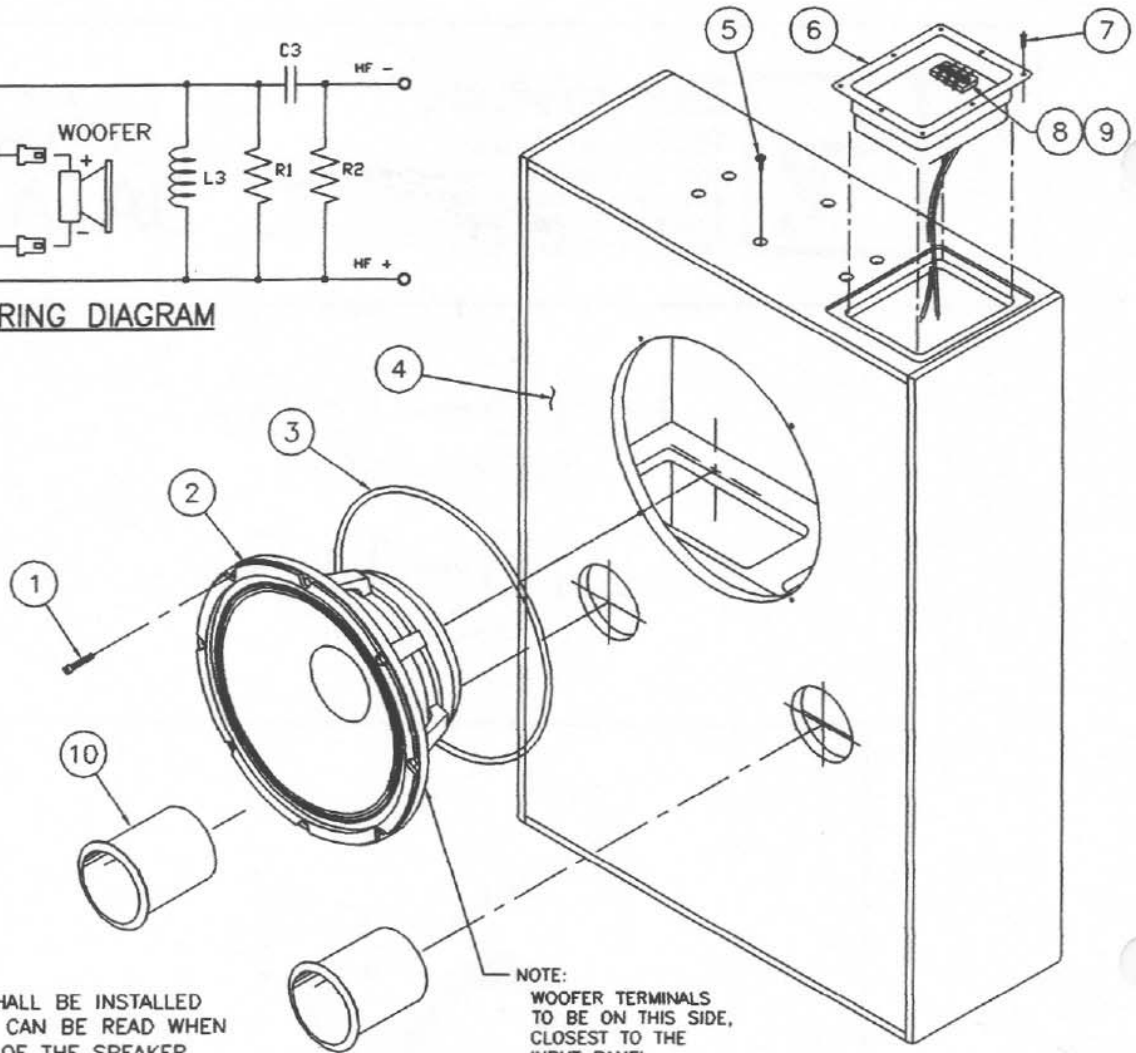
TL15-1ESX  
(1096-2982)

TL15-1XSX  
(1096-3287)





**WIRING DIAGRAM**



**NOTE:**

THE INPUT PANEL SHALL BE INSTALLED SO THAT THE LABEL CAN BE READ WHEN STANDING IN FRONT OF THE SPEAKER

**NOTE:**

WOOFER TERMINALS TO BE ON THIS SIDE, CLOSEST TO THE INPUT PANEL

**PARTS LIST**

QUANTITIES SHOWN ARE FOR ONE COMPLETE UNIT

ITEM	PART NO.		QTY.	DESCRIPTION
	ESX	XSX		
1	63179 DB		4	SCREW, 1/4-20 x 1 1/2 IN. LG., HEX SKT HD, CAP, FULL THD
2	815-2825	815-3081	1	LOUDSPEAKER, 15"
3	28039-91		1	TAPE, FOAM TESIMOL, 45 IN. LG.
4	84418		1	ENCLOSURE S/A
5	63196 CP		6	SCREW, 1/4-20 x 1 1/2 IN. LG., HEX WSHR HD, SLTD, GR.5
6	84419		1	PANEL S/A, INPUT (INCLUDES ITEMS 8 - 9)
7	63075 CP		8	SCREW, #8-15 x 3/4 LG., OVAL HD., XREC., STL.
8	27454		1	BLOCK, TERMINAL
9	63254 CP		4	SCREW, #6-19 x 3/4 LG., HEX. WASHER HD.
10	71273		2	TUBE, VENT, MARS #TR-PP4R8X5
L3	84940-L3			2.7 mH ±5%, 18 GA., AIR CORE
L2	84940-L2			1.56 mH ±5%, 18 GA., AIR CORE
L1	84940-L1			3.8 mH ±5%, 18 GA., IRON CORE
C3	84940-C3			1.5 uF ±10% 100 VOLT (MIN), POLYESTER
C2	84940-C2			6.8 uF ±10% 100 VOLT (MIN), POLYESTER
C1	84940-C1			20uF ±5% 250 VOLT (MIN), POLYESTER
R2	84940-R2			27 OHM, 20 WATT
R1	84940-R1			50 OHM, 20 WATT, 10%