

OWNER'S MANUAL

- ASSEMBLY
- OPERATION
- MAINTENANCE
- PARTS LIST

Model No.
118-500A

Important:

Read Safety Rules and
Instructions Carefully

**22" HI WHEEL
ROTARY
MOWER**



LIMITED WARRANTY

For one year from the date of original retail purchase, MTD PRODUCTS INC will either repair or replace, at its option, free of charge, F.O.B. factory or authorized service firm, any part or parts found to be defective in material or workmanship. Transportation charges under this warranty must be paid by the purchaser unless return is requested by MTD PRODUCTS INC.

This warranty will not apply to any part which has become inoperative due to misuse, excessive use, accident, neglect, improper maintenance, alterations, or unless the unit has been operated and maintained in accordance with the instructions furnished. This warranty does not apply to the engine, motor, battery, battery charger or component parts thereof. Please refer to the applicable manufacturer's warranty on these items.

This warranty will not apply where the unit has been used commercially.

Warranty service is available through your local authorized service dealer or distributor. If you do not know the dealer or distributor in your area, please write to the Customer Service Department of MTD.

The return of a complete unit will not be accepted by the factory unless prior written permission has been extended by MTD.

This warranty gives you specific legal rights. You may also have other rights which vary from state to state.

WARNING TO PURCHASERS OF INTERNAL COMBUSTION ENGINE EQUIPPED MACHINERY OR DEVICES IN THE STATE OF CALIFORNIA

The equipment which you have just purchased does not have a spark arrester. If this equipment is used on any forest covered land, brush covered land, or grass covered unimproved land in the State of California, before using on such land, the California law requires that a spark arrester be provided. In addition, spark arrester is required by law to be in effective working order. The spark arrester must be attached to the exhaust system and comply with Section 4442 of the California Public Resources Code.

IMPORTANT

It is suggested that this manual be read in its entirety before attempting to assemble or operate. Keep this manual in a safe place for future reference and for ordering replacement parts.

This unit is shipped WITHOUT GASOLINE or OIL. After assembly, see operating section of this manual for proper fuel and amount.

Your rotary mower is a precision piece of power equipment, not a plaything. Therefore exercise extreme caution at all times.

SAFE OPERATION PRACTICES FOR WALK-BEHIND MOWERS TRAINING

1. Read the Operating and Service Owner's Manual carefully. Be thoroughly familiar with the controls and the proper use of the equipment.
2. Never allow children to operate a power mower. Only persons well acquainted with these rules of safe operation should be allowed to use your mower.
3. Keep the area of operation clear of all persons, particularly small children and pets. Stop engine when they are in the vicinity of your mower. Although the area of operation should be completely cleared of foreign objects, a small object may have been overlooked and could be accidentally thrown by the mower in any direction.

PREPARATION

1. Thoroughly inspect the area where the equipment is to be used and remove all stones, sticks, wire, bones and other foreign objects which could be picked up and thrown by the mower in any direction.
2. Do not operate equipment when barefoot or wearing open sandals. Always wear substantial footwear.
3. Do not wear loose fitting clothing that could get caught on the mower.
4. Check the fuel before starting the engine. Do not fill the gasoline tank indoors, when the engine is running, or while the engine is still hot. Wipe off any spilled gasoline before starting the engine.
5. Disengage the self-propelled mechanism or drive clutch on units so equipped before starting the engine.
6. Never attempt to make a wheel or cutting height adjustment while the engine is running.
7. Mow only in daylight or in good artificial light.
8. Never operate the equipment in wet grass. Always be sure of your footing; keep a firm hold on the handle and walk, never run.

OPERATION

1. Do not change the engine governor settings or overspeed the engine. Excessive engine speeds are dangerous.
2. Do not put hands or feet near or under rotating parts. Keep clear of the discharge opening at all times.
3. Stop the blade(s) when crossing gravel drive, walks or roads.
4. After striking a foreign object, stop the engine, remove the wire from the spark plug, 3

- thoroughly inspect the mower for any damage, and repair the damage before restarting and operating the mower.
5. If the equipment should start to vibrate abnormally, stop the engine and check immediately for the cause. Vibration is generally a warning of trouble.
6. Stop the engine whenever you leave the mower, before cleaning the mower housing, and when making any repairs or inspections.
7. When cleaning, repairing or inspecting, make certain the blade and all moving parts have stopped. Disconnect the spark plug wire, and keep the wire away from the plug to prevent accidental starting.
8. Before attempting to unclog the mower or discharge chute, stop the engine and be sure the blade(s) have stopped completely. Disconnect the spark plug wire and keep the wire away from the plug to prevent accidental starting.
9. Do not run the engine indoors.
10. Shut the engine off and wait until the blade comes to a complete stop before removing the grass catcher.
11. Mow across the face of slopes, never up-and-down. Exercise extreme caution when changing direction on slopes. Do not mow excessively steep slopes.
12. Always disconnect electric mowers (line operated) before cleaning, repairing or adjusting.
13. Never operate mower without proper guards, plates or other safety protective devices in place.
14. Keep washout ports and other mower-housing service openings closed when mowing.

MAINTENANCE AND STORAGE

1. Check the blade and engine mounting bolts at frequent intervals for proper tightness.
2. Keep all nuts, bolts, and screws tight to be sure the equipment is in safe working condition.
3. Never store the equipment with gasoline in the tank inside of a building where fumes may reach an open flame or spark. Allow the engine to cool before storing in any enclosure.
4. To reduce fire hazard, keep the engine free of grass, leaves, or excessive grease.
5. Check the grass catcher bag frequently for wear or deterioration. For safety protection replace only with new bag meeting original equipment specifications.

ASSEMBLY



NOTE: FOLLOW ASSEMBLY INSTRUCTIONS IN NUMERICAL ORDER!

1. Assemble Throttle Control to Handle Panel.

8. Install Grips.

9. Check ALL nuts and bolts for correct tightness.

10. Slip hand grips on the upper end of each handle. They will slip on more easily if you first soak them in warm soapy water.



NOTE

It may be necessary to bend the ends of the lower handle inward slightly to assure a snug fit against the deck mounting area.

7. Assemble Handle Panel to Handle.

6. Assemble Clamp to Upper Handle Assembly. Assemble Speed Nut.

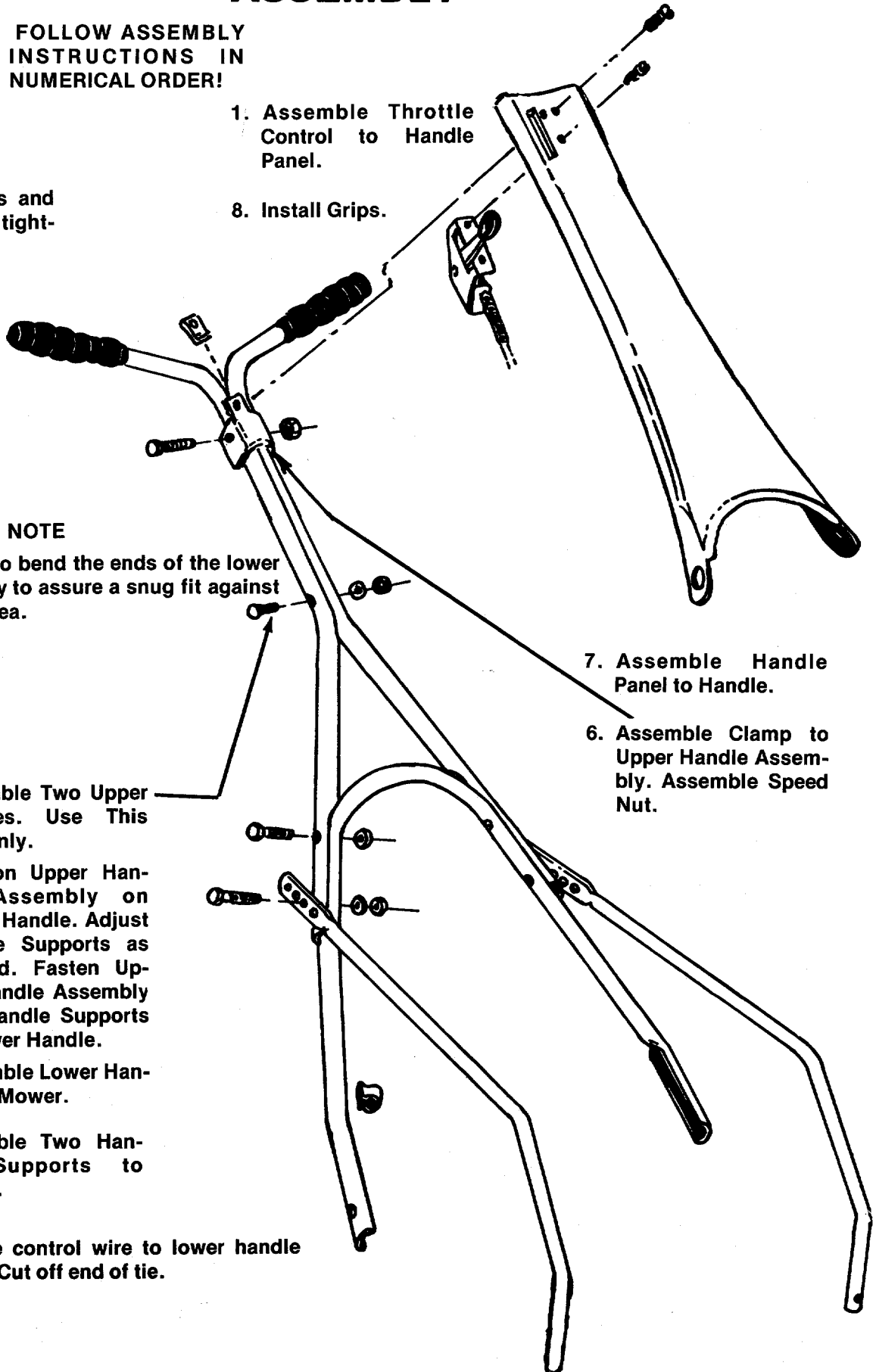
3. Assemble Two Upper Handles. Use This Bolt Only.

5. Position Upper Handle Assembly on Lower Handle. Adjust Handle Supports as Desired. Fasten Upper Handle Assembly and Handle Supports to Lower Handle.

2. Assemble Lower Handle to Mower.

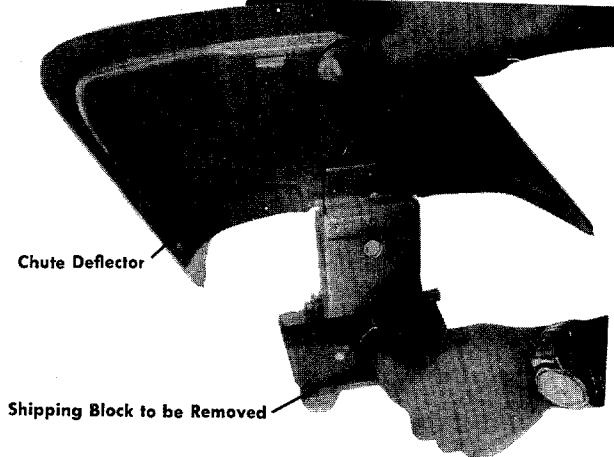
4. Assemble Two Handle Supports to Mower.

11. Secure throttle control wire to lower handle with cable tie. Cut off end of tie.



CAUTION

Please note that the chute deflector on your mower is in an upright position. It is held in that position by a shipping block. This block is used for shipping purposes only. It must be removed and discarded before your mower is put into operation.



OPERATION

NOTE

For shipping purposes your mower is set with the wheels in a low cutting height position. For best results raise the cutting position until it is determined which height is best for your lawn. See adjustments.

1. Service engine with gas and oil. See engine manual packed with lawn mower for complete instructions for care and maintenance of engine. **READ DIRECTIONS CAREFULLY.**
2. When ready to start engine, place throttle control lever, on handle, in "CHOKE" position and start engine in accordance with instructions in Engine Manual. After engine starts, move throttle control lever, on handle, to desired engine speed. The engine is stopped by placing control lever, on handle, in the "STOP" position.
3. Be sure that lawn is clear of stones, sticks, wire or other objects which could damage lawn mower or engine. For best results and to insure more even grass distribution, do not mow when lawn is excessively wet.

ADJUSTMENTS

CAUTION

Do not at any time make any adjustment to lawn mower without first stopping engine and disconnecting spark plug wire.

CUTTING HEIGHT

Adjustment may be made by removing and moving wheel studs to desired position. Cutting heights will be raised as wheel studs are moved to a lower hole and lowered as wheel studs are moved to a higher hole in the deck. All wheel studs must be mounted in a relative position to the deck.

THROTTLE

If adjustment becomes necessary, the throttle control wire assembly can be reset as follows:

1. Loosen, but do not remove, screw securing throttle control wire assembly at engine.
2. Move throttle control lever on handle to "CHOKE" position.
3. Move lever, to which control wire is fastened at engine, to full "CHOKE" position and retighten screw to secure throttle control wire assembly.

BELT ADJUSTMENT

After the first one-half hour of operation the slack in the belt must be taken up. After this initial adjustment the belt will require only checking after every 25 hours of operation. To tighten the belt, remove the three truss head machine screws (45) and remove the blade spindle cover (46). Loosen the three hex nuts (18) holding the engine to the frame assembly (2) and pull the engine back until the belt (54) has a 1/4" deflection when depressed by hand. Tighten the hex nuts (18) and reassemble shroud. (See illustrations on pages 6 and 8.)

MAINTENANCE

Cutting Blade—The blade may easily be removed for grinding or replacement as follows:

1. Remove bolt and lockwasher holding blade and blade adapter to blade spindle.
2. Remove blade and blade adapter from blade spindle.
3. Remove two bolts, lockwashers and nuts holding blade to blade adapter (if necessary).

When sharpening blade, follow the original angle of grind as a guide. It is extremely important that each cutting edge receives an equal amount of grinding to prevent an unbalanced blade. An unbalanced blade will cause excessive vibration when rotating at high speeds and may cause damage to the mower.

To insure safe operation of your unit, ALL nuts and bolts must be checked periodically for correct tightness.

Deck—The underside of the mower deck should be cleaned after each period of use as grass clippings, leaves, dirt and other matter will accumulate. This accumulations of grass clippings, etc., is undesirable as it will invite rust and corrosion and may cause an uneven discharge of grass clippings at the next cutting.

The deck may be cleaned by tilting the mower forward or on its side and scraping clean with a suitable tool or by washing with a stream of water from a garden hose.



CAUTION

Do not direct the stream of water at a hot engine, as damage to the engine may result.

STORAGE

The following steps should be taken to prepare lawn mower for storage:

1. Clean and lubricate mower thoroughly as described in the preceding instructions.
2. Refer to engine manual for correct engine storage instructions.
3. Coat mower's cutting blade with chassis grease to prevent rusting.
4. Place blocks under deck to raise tires clear of floor.
5. Store mower in a dry, clean area.

LUBRICATION



IMPORTANT

Always stop engine and disconnect spark plug wire before cleaning, lubricating or doing any kind of work on lawn mower.

Wheels—Front wheel bearings are of self-lubricating Fortiflex. They require no lubrication. Rear wheels of lifetime graphoil bearings require little lubrication. A light film of oil applied to these bearings will reduce normal friction.

Throttle—Periodically lubricate throttle control lever and throttle wire assembly with a few drops of light oil (SAE No. 10 or 20) for ease of operation.

Engine—Follow engine manual for lubrication instructions.



NOTE: FILL AND DRAIN OIL FROM OIL FILL PLUG.

Always disconnect spark plug cable during repairs, refueling or changing oil. Engine oil may be drained through oil filler opening by tilting the mower on its side. Change oil after first 5 hours of operation while engine is warm. Thereafter, change oil every 25 hours of operation while engine is warm.

Protective Shield—The pivot points on the protective shield should be lubricated periodically with light oil to prevent any rust or binding up.

Chute Deflector—The torsion spring and pivot point should be lubricated periodically with light oil to prevent any rust or binding up. Deflector should work freely.

USING YOUR ROTARY MOWER

For best results, do not cut wet grass because it tends to stick to underside of the mower thus preventing proper discharge of grass clippings. If wet grass must be cut, reduce walking speed to help distribute the clippings more effectively.

New grass should be treated as wet grass, otherwise a normal walking speed is about the right pace for efficient mowing. The best mowing pattern is one that allows the clippings to discharge towards the uncut part of the lawn. This permits recutting of the clippings to further pulverize them. When cutting high weeds, discharge towards cut portion, then recut at right angles to first direction.

Lawn should be cut in the fall as long as there is growth.



NOTE

The manufacturer **DOES NOT** recommend the use of any accessory on this rotary mower other than those manufactured by MTD Products Inc.

GRASS CATCHER Model No. 198-003A is available as optional equipment for the mowers shown in this manual.



WARNING

1. The mower should not be operated without the entire grass catcher or chute deflector in place.
2. The mower should not be operated without the protective shield on the rear of the deck in place.



NOTE:

Under normal usage bag material is subject to wear and should be checked periodically. Be sure any replacement bag complies with the mower manufacturer's recommendations.

For replacement bags, use only factory authorized replacement bag No. 764-0119.

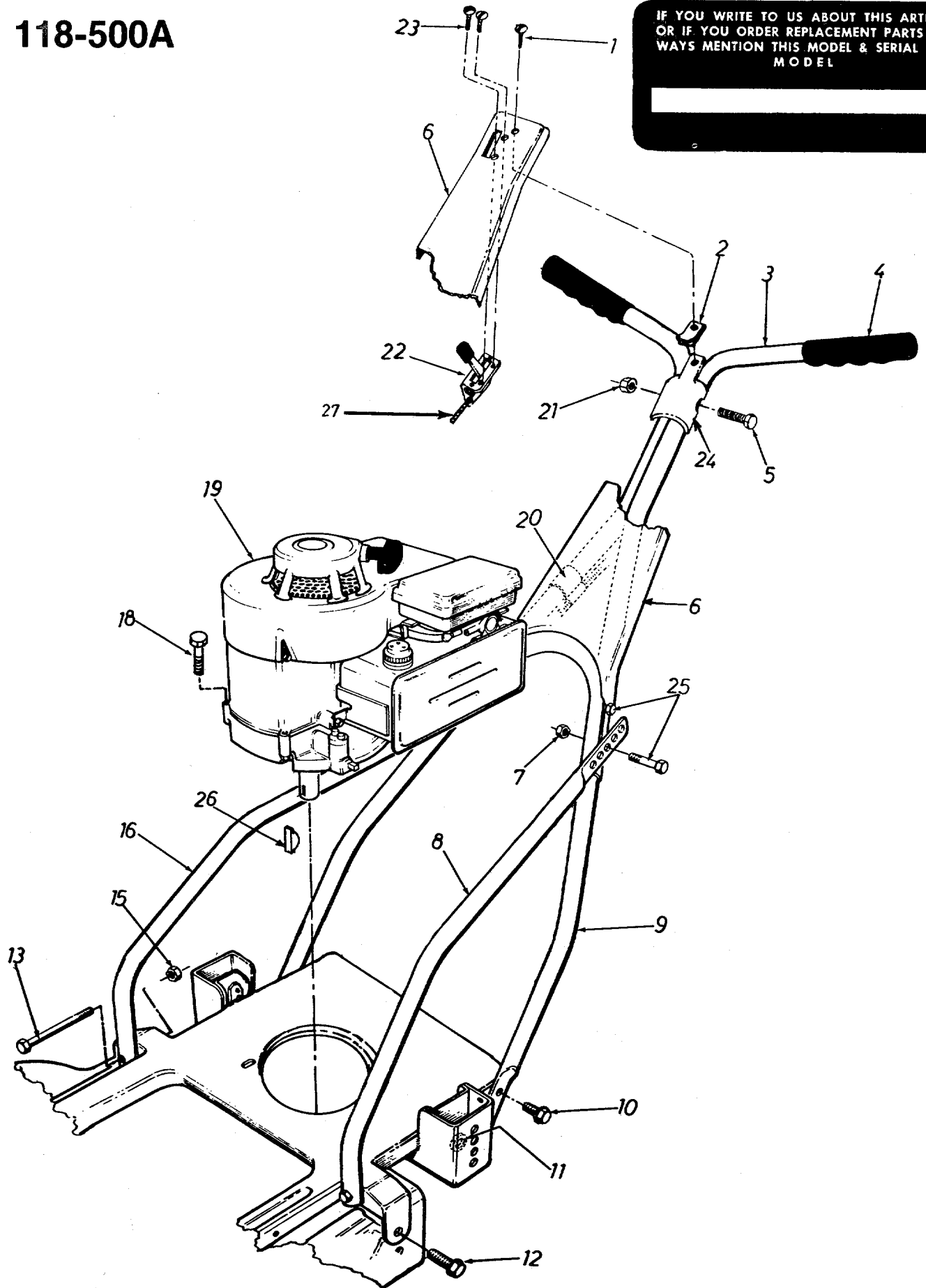


IMPORTANT

After striking a foreign object, stop the engine, remove wire from spark plug. Thoroughly inspect the mower for any damage, and repair the damage before restarting and operating the mower.

118-500A

IF YOU WRITE TO US ABOUT THIS ARTICLE
OR IF YOU ORDER REPLACEMENT PARTS AL-
WAYS MENTION THIS MODEL & SERIAL NO
MODEL



PARTS LIST FOR MODEL 118-500A

Ref. No.	Part No.	Color Code	Description	New Part
1	710-0192		Truss Mach. Scr. #10-24 x .38" Lg.*	
2	712-0526		Speed Nut	
3	09354		Upper Handle	
4	720-0157		Grip	
5	710-0136		Hex Scr. 1/4-20 x 1.75" Lg.	
6	11604	—463	Handle Panel	
7	712-0107		Hex Cent. L-Nut 1/4-20 Thd.	
8	08327		Handle Support—L.H.	
9	09362		Lower Handle	
10	710-0209		Hex Sems Scr. 3/8-16 x .62" Lg.	
11	736-0112		Belleville Washer	
12	710-0209		Hex Sems Scr. 3/8-16 x .62" Lg.	
13	710-0102		Hex Scr. 1/4-20 x 2.50" Lg.*	
15	712-0107		Hex Cent. L-Nut 1/4-20 Thd.	
16	08328		Handle Support—R.H.	
18	710-0158		Hex Scr. 5/16-24 x 1.25" Lg.	
19	—		Engine	
20	726-0178		Cable Tie	
21	712-0107		Hex Cent. L-Nut 1/4-20 Thd.	
22	746-0218		Throttle Control Ass'y.—Comp.	
23	710-0227		Hex Wash. Hd. AB-Tapp Scr. #8 x .38"	
24	07861		Clamp Bracket	
25	710-0606		Hex Scr. 1/4-20 x 1.50" Lg.*	
26	714-0365		#6 Hi-Pro Key 5/32 x 5/8" Dia.	
27	746-0228		Conduit and Wire	

*For faster service obtain standard nuts, bolts and washers locally. If these items cannot be obtained locally, order by part number and size as shown on parts list.

(463—Top Flite Red)

When ordering parts, if color or finish is important use the appropriate color code shown above (e.g. Top Flite Red Finish—09169 (463).)

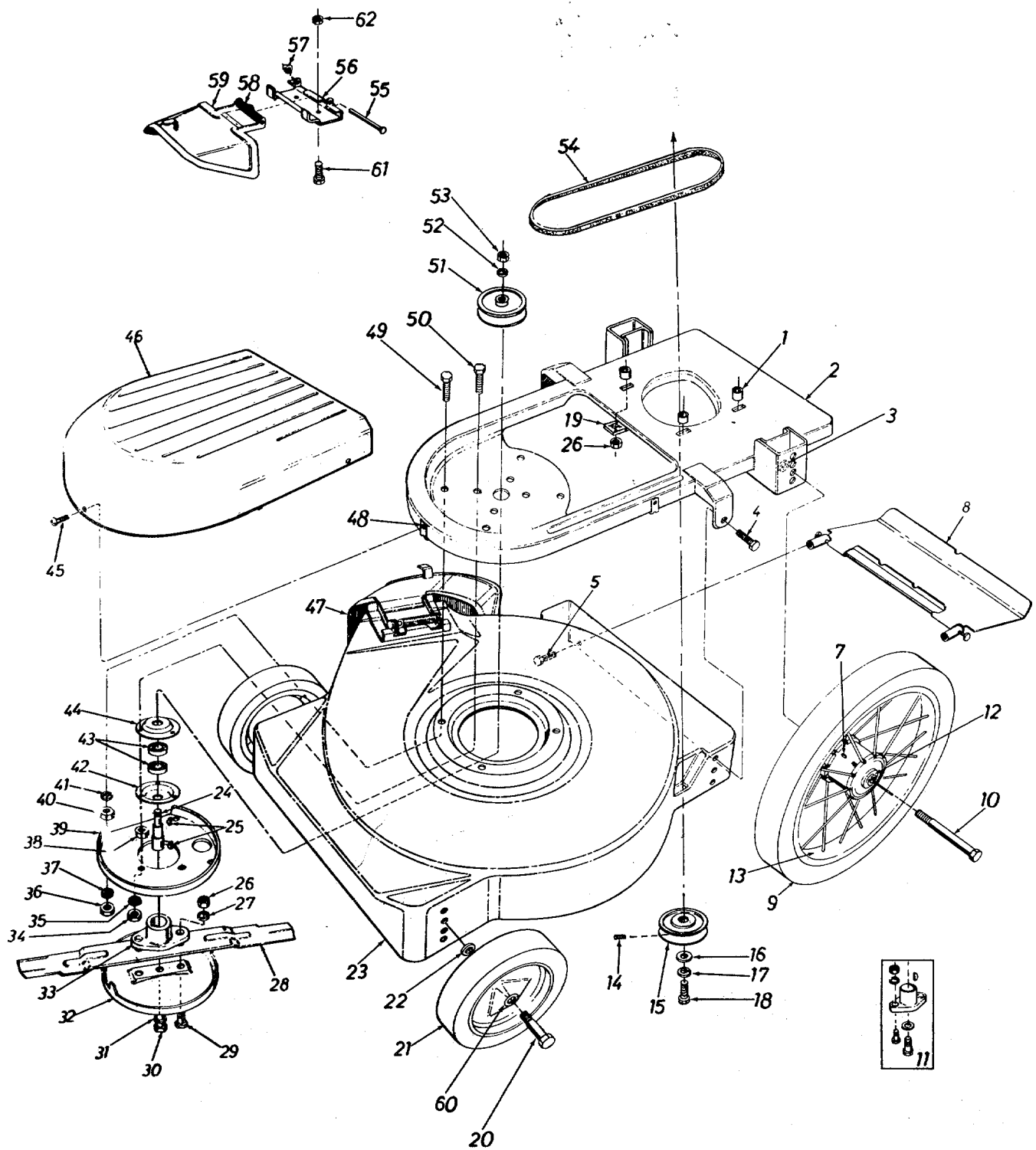
NOTE: The engine is not under warranty by the mower manufacturer . . . If repairs or service is needed on the engine, please contact your nearest authorized engine service outlet. Check the "Yellow Pages" of your telephone book under "Engines—Gasoline."



NOTE

This instruction manual covers various models and all specifications shown do not necessarily apply to your model. Specifications subject to change without notice or obligation.

118-500A



PARTS LIST FOR MODEL 118-500A

Ref. No.	Part No.	Color Code	Description	New Part	Ref. No.	Part No.	Color Code	Description	New Part
1	711-0250		Spacer .355 I.D. x 1.010 O.D. x .630		29	710-0117		Hex Scr. 5/16-24 x 1.00" Lg. H.T.	
2	12592 —463		Frame Ass'y.		30	710-0459		Hex Scr. 3/8-24 x 1.58" Lg. H.T.	
3	736-0105		Belleville Wash.		31	736-0217		L-Wash. 3/8" Scr. H.D.	
4	710-0209		Hex Sems Scr. 3/8-16 x .62" Lg.		32	07919		Scalp Plate	
5	710-0567		Hex Scr. 1/4-28 x .62" Lg. *		33	10769		Blade Adapter Kit	
6	741-0177		Blade Spindle Ass'y.—Comp. (Incl. Ref. Nos. 24, 42, 43, 44)		34	712-0123		Hex Nut 5/16-24 Thd. *	
7	718-0132		Oil Cap		35	736-0119		L-Wash. 5/16" Scr. *	
8	11197 —463		Rear Protective Shield Ass'y.		36	712-0267		Hex Nut 5/16-18 Thd. *	
9	09184-501		Rear Wheel Ass'y.—Comp.		37	736-0119		L-Wash. 5/16" Scr. *	
	734-0237		Rear Tire Only 14"		38	712-0123		Hex Nut 5/16-24 Thd. *	
10	738-0114		Shld. Scr. .498" Dia. x 4.755" Lg.		39	12281		Blade Reinforcement Plate	
11	10769		Blade Adapter Kit		40	712-0267		Hex Nut 5/16-18 Thd. *	
12	748-0147		Flange Bearing		41	736-0119		L-Wash. 5/16" Scr. *	
13	734-0238		Rear Wheel Less Tire		42	08253		Bearing Housing	
14	710-0938		Set Scr. 1/4-28 x .25" Lg.		43	741-0919		Ball Bearing .787" I.D. x 1.85 O.D. x .56	
15	756-0121		Engine Pulley		44	08253		Bearing Housing	
16	07386		FI-Wash. .390" I.D. x 1.75" O.D. x .187		45	710-0192		Truss Mach. Scr. #10-24 x .38	
17	736-0217		L-Wash. 3/8" Scr. H.D.		46	08295 —463		Blade Spindle Cover	
18	710-0152		Hex Scr. 3/8-24 x 1.00" Lg. *		47	11679 —463		Chute Deflector Ass'y.—Comp.	
19	736-0170		Special L-Wash. 5/16" Scr.		48	712-0526		Speed Nut	
20	738-0213		Shld. Scr. .498" Dia. x 1.450" Lg.		49	710-0116		Hex Scr. 5/16-18 x 2.00" Lg. *	
21	09392-514		Front Wheel Ass'y.—Comp.		50	710-0158		Hex Scr. 5/16-24 x 1.25" Lg. *	
22	736-0105		Belleville Wash.		51	09925		Sheave Ass'y. 4"	
23	12422 —463		Deck Ass'y.—Comp.		52	736-0921		L-Wash. 1/2" Scr. *	
24	738-0251		Blade Spindle		53	712-0200		Hex Ins. L-Nut 1/2-20 Thd.	
25	714-0365		#6 Hi-Pro-Key 5/32" x 5/8" Dia.		54	754-0116		"V"-Belt 1/2" x 42" Lg.	
26	712-0123		Hex Nut 5/16-24" Thd. *		55	711-0555		Pivot Pin	
27	736-0119		L-Wash. 5/16" Scr. *		56	11130 —463		Adapter Plate	
28	742-0125		22" Blade		57	726-0106		Push Nut 1/4" Rod	
					58	732-0253		Torsion Spring	
					59	11679 —463		Chute Deflector Ass'y.	
					60	07006		Fortiflex Bearing	
					61	710-0289		Hex Scr. 1/4-20 x .50"	
					62	712-0107		Hex Cent. L-Nut 1/4-20 Thd.	

*For faster service obtain standard nuts, bolts and washers locally. If these items cannot be obtained locally, order by part number and size as shown on parts list.

(463—Top Flite Red) When ordering parts if color or finish is important, use color code shown at left. (e.g. Top Flite Red Finish—09169 (463).)

The engine is not under warranty by the mower manufacturer. If repairs or service is needed on the engine, please contact your nearest authorized engine service outlet. Check the "Yellow Pages" of your telephone book under "Engines — Gasoline."



PARTS INFORMATION

POWER EQUIPMENT PARTS AND SERVICE

Parts and service for all MTD manufactured power equipment are available through the authorized service firms listed below. All orders should specify the model number of your unit, parts number, description of parts and the quantity of each part required.

ALABAMA	BIRMINGHAM	
Auto Electric & Carburetor Co.	2625 4th Ave. S.	35233
ARKANSAS	NORTH LITTLE ROCK	
Sutton's Lawn Mower Shop	Rt. 4, Box 368	72117
	FORT SMITH	
Mity Mite Motors, Inc.	2515 Towson Ave.	72901
CALIFORNIA	PORTERVILLE	
Billious	75 North D Street	93257
	SAN BERNARDINO	
Lawn Mower Supply Co.	25608 E. Baseline	92410
	SAN FRANCISCO	
J.W. Jewett Co.	981 Folsom St.	94107
	SACRAMENTO	
Luttig & Severson	2030 28th St.	95818
COLORADO	DENVER	
South Denver Lawn Equip.	527 West Evans	80223
CONNECTICUT	SUFFIELD	
The Jones & Ramsey Co.	850 Thompsonville Rd.	06078
FLORIDA	JACKSONVILLE	
Radco Distributors	2403 Market St.	32206
	CORAL GABLES	
Moz-All of Florida, Inc.	365 Greco Ave.	33146
GEORGIA	EAST POINT	
East Point Cycle & Key	2834 Church St.	30344
ILLINOIS	LYONS	
Keen Edge Co.	8615 Ogden Ave.	60534
INDIANA	ELKHART	
Parts & Sales Inc.	2101 Industrial Pkwy.	46514
IOWA	DUBUQUE	
Power Lawn & Garden Equip.	2551 J.F. Kennedy	52001
LOUISIANA	NEW ORLEANS	
Suhren Engine Co.	8330 Earhart Blvd.	70118
MARYLAND	TAKOMA PARK	
Center Supply Co.	6867 New Hampshire Ave.	20012
MASSACHUSETTS	SPRINGFIELD	
Morton B. Collins Co.	300 Birnie Ave.	01107
MICHIGAN	MOUNT CLEMENS	
Power Equipment Dist.	36463 South Gratiot	48043
	LANSING	
Lorenz Service Co.	2500 S. Pennsylvania	48900
MINNESOTA	MINNETONKA	
Hance Distributing Inc.	11212 Wayzata Blvd.	55343
MISSISSIPPI	BILOXI	
Biloxi Sales & Service, Inc.	506 Caillavet St.	39533
MISSOURI	KANSAS CITY	
Automotive Equip. Service	3117 Holmes St.	64109
	ST. LOUIS	
Henzler, Inc.	2015 Lemay Ferry Rd.	63125
NEW JERSEY	BELLMAWR	
Lawnmower Parts Inc.	717 Creek Rd., P.O. Box 7	08030

BRIGGS & STRATTON, TECUMSEH AND PEERLESS PARTS AND SERVICE

Briggs & Stratton, Tecumseh and Peerless parts and service should be handled by your nearest authorized engine service firm. Check the yellow pages of your telephone directory under the listing **Engines—Gasoline**, Briggs & Stratton or Tecumseh Lauson.

NEW YORK	CARTHAGE	
Gamble Dist., Inc.	West End Ave.	13619
NORTH CAROLINA	GREENSBORO	
Dixie Sales Company	327 Battleground Ave.	27402
	GOLDSBORO	
Smith Hardware Co.	515 N. George St.	27530
OHIO	WADSWORTH	
National Central	687 Seville Rd.	44281
	CLEVELAND	
Bleckrie, Inc.	7900 Lorain Ave.	44102
	CARROLL	
Stebe's Mid-State Mower Supply	Box 366	43112
	WILLARD	
Sunshine Wholesale Tire Outlet	Route 224	44890
OKLAHOMA	MUSKOGEE	
Victory Motors, Inc.	605 S. Cherokee	74401
	ADA	
Ada Auto Supply	301 E. 12th St.	74820
OREGON	PORTLAND	
Kenton Supply Co.	8216 N. Denver Ave.	97217
PENNSYLVANIA	LANCASTER	
Raub Supply Co.	James & Mulberry Sts.	17604
	PITTSBURGH	
Bluemont Co.	11125 Frankstown Rd.	15235
TENNESSEE	KNOXVILLE	
Master Repair Service	2423 Broadway, N.E.	37917
	MEMPHIS	
Memphis Cycle & Supply Co.	421 Monroe Ave.	38103
American Sales & Service, Inc.	1922 Lynnbrook	38116
TEXAS	DALLAS	
Marr Brothers, Inc.	423 E. Jefferson	75201
	HOUSTON	
Bullard Supply Co.	2409 Commerce St.	77003
	SAN ANTONIO	
Catto & Putty, Inc.	P.O. Box 2408	78206
	FORT WORTH	
Woodson Sales Corp.	1702 N. Sylvania	76111
UTAH	SALT LAKE CITY	
A-1 Engine & Mower Co.	437 E. 9th St.	84111
VERMONT	BURLINGTON	
Vermont Appliance Co.	44 Lakeside Ave.	05401
VIRGINIA	RICHMOND	
RBI Corp.	963 Myers St.	23260
WASHINGTON	SEATTLE	
Bailey's Rebuild, Inc.	1325 E. Madison St.	98102
WEST VIRGINIA	CHARLESTON	
Young's, Inc.	233 Virginia St., E.	25301
WISCONSIN	APPLETON	
Automotive Supply Co.	123 S. Linwood Ave.	54911

WARRANTY PARTS AND SERVICE POLICY

The purpose of warranty is to protect the customer from defects in workmanship and materials, defects which are NOT detected at the time of manufacture. It does not provide for the unlimited and unrestricted replacement of parts. Use and maintenance are the responsibility of the customer. The manufacturer cannot assume responsibility for conditions which it has no control. Simply put, if it's the manufacturer's fault, it's the manufacturer's responsibility; if it's the customer's fault, it's the customer's responsibility.

CLAIMS AGAINST THE MANUFACTURER'S WARRANTY INCLUDES

1. Replacement of Missing Parts on new equipment.
2. Replacement of Defective Parts within the warranty period.
3. Repair of Defects within the warranty period.

All claims MUST be substantiated with the following information:

1. Model Number of unit involved.
2. Date unit was purchased or first put into service.
3. Date of failure.
4. Nature of failure.