

TOSHIBA

Leading Innovation >>>

USER'S MANUAL

Color LCD Monitor

P1710A
P1910A

TOSHIBA CORPORATION

Owner's Record

The model number and serial number are on the back of your monitor. Record these numbers in the spaces below. Refer to these numbers whenever you communicate with your Toshiba dealer about this monitor.

Model Number:

Serial Number:

Part Number: V.2.0

For information on our latest products and peripheral devices, refer to the following Website:
<http://www.toshibasecurity.com>

If the URL changes, refer to the Toshiba website (<http://www.toshiba.com/>).

Table of Contents

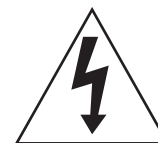
Important Information	2
Dear Customer,	3
Important Safeguards	3
Disclaimer	6
Usage Limitation	6
Notes on Use and Installation	6
Monitor Installation	7
1.Desktop intstallation	7
2.Wall Mount Installation	7
3.Rack mount installation	8
AC Adapter	9
LCD panel	10
Components	10
External View and Physical Description	10
Input and Output connectors	11
Setup for Monitor	12
1.Front control panel	12
2.Selection of input signal	13
3. Adjustment of contrast and Brightness	13
4.Lock a switch and unlock	13
5.Menu function	13
6.VGA / DVI Menu and definition of functions	14
7.Composite Video OSD Menu and definition of functions	16
P1710A / P1910A Specification	19

LIMITED WARRANTY

Important Information

WARNING:

TO REDUCE THE RISK OF FIRE OR ELECTRIC SHOCK, DO NOT EXPOSE THIS APPLIANCE TO RAIN OR MOISTURE.



The lightning flash with arrowhead symbol, within an equilateral triangle, is intended to alert the user to the presence of uninsulated "dangerous voltage" within the product's enclosure that may be of sufficient magnitude to constitute a risk of electric shock to persons.



The exclamation point within an equilateral triangle is intended to alert the user to the presence of important operating and maintenance (servicing) instructions in the literature accompanying the appliance.

CAUTION TO REDUCE THE RISK OF ELECTRIC SHOCK:

DO NOT REMOVE COVER. NO USER SERVICEABLE PARTS INSIDE. REFER SERVICING TO QUALIFIED SERVICE PERSONNEL.

FIELD INSTALLATION MARKING:

THIS INSTALLATION SHOULD BE MADE BY A QUALIFIED SERVICE PERSON AND SHOULD CONFORM TO ALL LOCAL CODES.

USA - FCC Statement

FCC Declaration of Conformity Statement

Product name: Color LCD Monitor

Model number: P1710A P1910A

The Toshiba Color LCD Monitor complies with Part 15 of the FCC Rules. Operation is subject to the following two conditions: (1) this device may not cause harmful interference, and (2) this device must accept any interference received, including interference that may cause undesired operation.

The party responsible for compliance to these rules is:
TOSHIBA AMERICA INFORMATION SYSTEMS, INC.
9740 IRVINE BLVD., IRVINE, CA 92618-1697
TEL: (949) 583-3000

NOTE:

This equipment has been tested and found to comply with the limits for a Class B digital device, pursuant to Part 15 of the FCC Rules. These limits are designed to provide reasonable protection against harmful interference in a residential installation. This equipment generates, uses and can radiate radio frequency energy and, if not installed and used in accordance with the instructions, may cause harmful interference to radio communications. However, there is no guarantee that interference will not occur in a particular installation. If this equipment does cause harmful interference to radio or television reception, which can be determined by turning the equipment off and on, the user is encouraged to try to correct the interference by one or more of the following measures:

- Reorient or relocate the receiving antenna.
- Increase the separation between the equipment and receiver.
- Connect the equipment into an outlet on a circuit different from that to which the receiver is connected.
- Consult the dealer or an experienced radio/TV technician for help.

CAUTION:

Changes or modifications to this equipment not expressly approved by Toshiba America Information Systems, Inc. could void the user's authority to operate this equipment.

Dear Customer,

Thank you for purchasing the Color LCD Monitor. Before using the monitor, read this User's Manual carefully to ensure correct usage. Once you have finished reading this User's Manual, keep it in a convenient place for future reference.

The design, specifications, software, and User's Manual contents are subject to change without prior notice.

Important Safeguards

1. Read Instructions
Read all the safety and operating instructions before operating the product.
2. Retain Instructions
Retain the safety instructions and user's manual for future reference.
3. Warnings
Comply with all warnings on the product and in the user's manual.

4. Follow Instructions
Follow all operating and use instructions.
5. Cleaning
Disconnect this monitor from the power supply before cleaning.
6. Attachments
Do not use attachments not recommended by the monitor manufacturer as they may pose safety risks.
7. Water and Moisture
Do not use this monitor near water. Some examples are: near a bath tub, wash bowl, kitchen sink, or laundry tub, in a wet basement, or near a swimming pool.
8. Accessories
Do not place this monitor on an unstable cart, stand, tripod, bracket or table. The monitor may fall, causing serious injury to a person, or serious damage to the product. Use only with stand, tripod, bracket, or table recommended by the manufacturer, or sold with the monitor. Any mounting of the product should follow the manufacturer's instructions, and should use a mounting accessory recommended by the manufacturer.
9. Ventilation
This monitor should never be placed near or over a radiator or heat register. If this product is placed in a built in installation verify that there is proper ventilation so that the monitor temperature operates within the recommended temperature range.
10. Power Sources
This monitor should be operated only from the type of power source indicated on the information label. If you are not sure of the type of power supply at your location, consult your product dealer.
11. Power-Cord Protection
Power cords should be routed so that they are not likely to be walked on or pinched by items placed upon or against them. Pay particular attention to cords at plugs, screws and the point where they exit the product.
12. Installation
Install this monitor on a secure part of the ceiling or wall. If installed on an unsecured location, the monitor could fall causing injury and damage.
13. Lightning
For additional protection on this monitor during a lightning storm, or when it is left unattended and unused for long periods of time, unplug it from the wall outlet and disconnect the power supply and cable system. This will prevent damage to the monitor due to lightning and powerline surges. If lightning occurs, do not touch the unit or any connected cables in order to avoid electric shock.
14. Overloading
Do not overload the power supply or extension cords as this can result in a risk of fire or electric shock.
15. Object and Liquid Entry
Never push objects of any kind into this monitor through openings as they may touch dangerous electrical points or short-out parts that could result in a fire or electrical shock. Never intentionally spill liquid of any kind on the monitor.
16. Heat
Keep the product away from direct sunlight, fire or a heat source such as a heater, radiators, or other products (including amplifiers) that produce heat. This may reduce the product lifetime or result in fire.

17. Connecting

When you connect this product to other equipment, turn off the power and unplug all of the equipment from the wall outlet. Failure to do so could cause damage to this product. Read the owner's manual of the other equipment carefully and follow the instructions when making any connections.

18. LCD panel

Do not press on or jolt the LCD panel. Doing so may cause the LCD panel glass to break and injury may occur. Should the LCD panel be broken and liquid leaks out, do not inhale or swallow it. Doing so may cause poisoning. If you have got it into your mouth, wash it out and consult your doctor. If your hands or clothes have touched it, wipe them with alcohol and a cleaning cloth and then wash them well.

19. Servicing

Do not attempt to service this monitor yourself as opening or removing covers may expose you to dangerous electrical or other hazards. Refer all servicing to qualified service personnel.

20. Damage Requiring Service

Disconnect this monitor from the power supply and refer servicing to qualified service personnel under the following conditions.

- a. When the power-supply cord or plug is damaged.
- b. If liquid has been spilled, or objects have fallen into the monitor.
- c. If the monitor has been submerged in water.
- d. If the monitor does not operate normally by following the operating instructions in the user's manual.
Adjust only those controls that are covered by the user's manual as an improper adjustment of other controls may result in damage and will often require extensive work by a qualified technician to restore the monitor to its normal operation.
- e. If the monitor has been dropped or the cabinet has been damaged.
- f. When the monitor exhibiting a distinct change in performance which indicates a need for service.
- g. Other trouble.

21. Replacement Parts

When replacing parts be sure the service technician uses parts specified by the manufacturer or have the same characteristics as the original part. Unauthorized substitutions may result in fire, electric shock or other hazards.

22. Safety Check

Upon completion of any service or repairs to this monitor, ask the service technician to perform safety checks to determine that the monitor is in proper operating condition.

The cold cathode fluorescent lamp contains a small amount of mercury. When the monitor reached the end of its useful life, dispose of the used monitor by the approved method in your area, or ask a qualified service technician to properly dispose of the monitor.



NOTE:

The lamp(s) inside this product contain mercury. Disposal may be regulated due to environmental considerations. For disposal or recycling information, contact your local authorized dealer or the Electronics Industries Alliance at www.eiae.org

Disclaimer

We disclaim any responsibility and shall be held harmless for any damages or losses incurred by the user in any of the following cases:

1. Fire, earthquake or any other act of God; acts by third parties; misuse by the user, whether intentional or accidental; use under extreme operating conditions.
2. Malfunction or non-function resulting in indirect, additional or consequential damages, including but not limited to loss of expected income and suspension of business activities.
3. Incorrect use not in compliance with instructions in this user's manual.
4. Malfunctions resulting from misconnection to other equipment.
5. Repairs or modifications made by the user or caused to be made by the user and carried out by an unauthorized third party.
6. Notwithstanding the foregoing, Toshiba's liabilities shall not, in any circumstances, exceed the purchase price of the product.

Usage Limitation

The product is not designed for any "critical applications." "Critical applications" means life support systems, exhaust or smoke extraction applications, medical applications, commercial aviation, mass transit applications, military applications, homeland security applications, nuclear facilities or systems or any other applications where product failure could lead to injury to persons or loss of life or catastrophic property damage.

Accordingly, Toshiba/TAIS disclaims any and all liability arising out of the use of the product in any critical applications.

Notes on Use and Installation

Treat the monitor with care

Dropping or subjecting the monitor to intense vibration may cause it to malfunction.

Avoid Volatile Liquid

Do not use volatile liquids, such as an insect spray, near the unit. Do not leave rubber or plastic products touching the unit for a long time. They will leave marks on the finish. Do not use a chemically saturated cloth.

Never touch internal parts

Do not touch the internal parts of the monitor other than the parts specified.

Keep the monitor installation away from video noise

If cables are wired near electric lighting wires or a TV set, noise may appear in images. In this event relocate cables or reinstall equipment.

Check the ambient temperature and humidity

Avoid using the monitor where the temperature is hotter or colder than the specified operating range. Doing so could affect the internal parts or cause the image quality to deteriorate. Special care is required to use the monitor at high temperature and humidity.

Should you notice any trouble

If any trouble occurs while you are using the monitor, turn off the power and contact your dealer. If you continue to use the monitor when there is something wrong with it, the trouble may get worse and an unpredictable problem may occur.

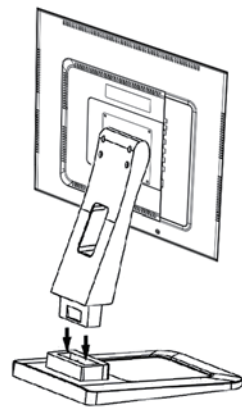
Monitor Installation

1. Desktop installation

Observe the following safety precautions:

(1) Read and Follow the pedestal assembly instructions.

CAUTION: Before beginning pedestal assembly, carefully lay the front of the LCD Panel face down on a flat, cushioned surface such as a quilt or blanket. Leave the bottom of the unit protruding over the edge of the surface and assemble the pedestal mentioned below.



- ① Extreme care should always be used when attaching the pedestal stand to avoid damage to the LCD panel.
- ② Insert the back stand to the pedestal until it clicks.
- ③ Check that the back stand and pedestal are firmly attached and that the back stand is firmly attached to the LCD monitor.

(2) Place the LCD monitor on a sturdy, level surface that can support the weight of the monitor.

Viewing Angle:

For the user's convenience, the LCD screen may be tilted according to their viewing requirements. The monitor can be tilted forward up to 25 degrees or backward up to 5 degrees.

2. Wall Mount Installation

If you decide to wall mount your LCD monitor, always use VESA wall bracket appropriate for the size and weight of the LCD monitor.

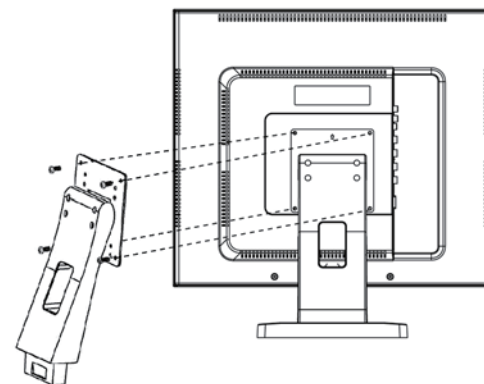
VESA Mounting Pattern:

Hole Pattern (HxV): 100x100 mm

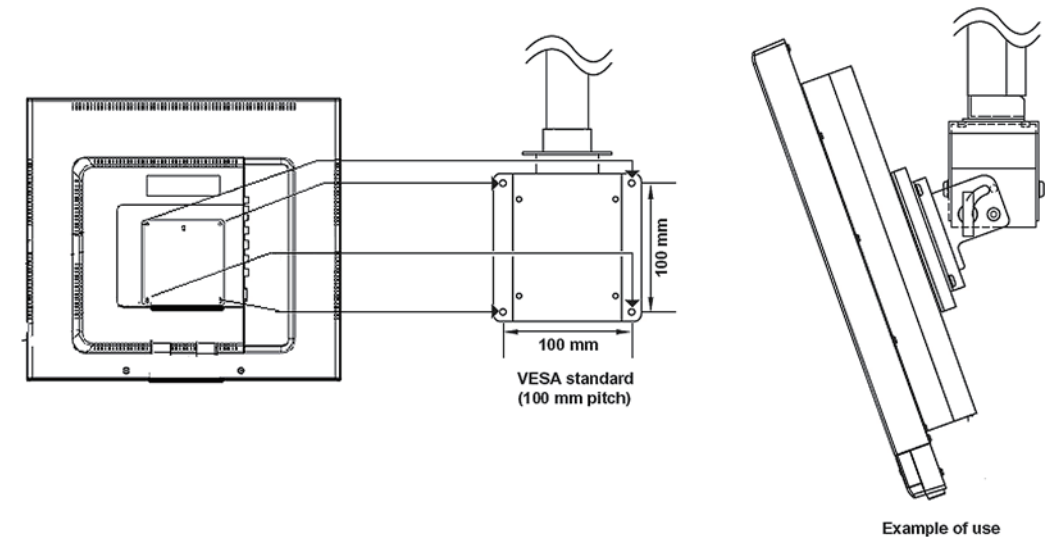
Screw Size: M4

- (1) **CAUTION:** Two people are required for installation.
- (2) Unplug and remove any cables and/or other component connectors from the monitor.
- (3) Remove the screws and back stand shown.
- (4) Always use the screws supplied or recommended by the wall mount manufacturer.

Note: Use appropriate screws up to 12mm long with flat washer and spring washer.



(5) Follow the instructions provided with your wall bracket. Before proceeding, make sure the appropriate bracket(s) are attached to the wall and the back of the monitor.



3. Rack mount installation

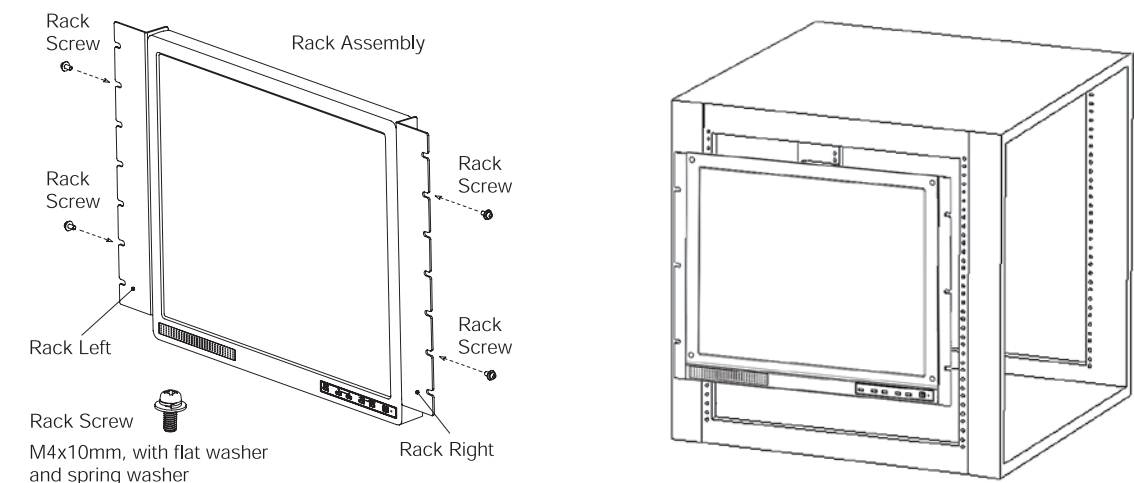
If you decide to the Rack mount your LCD monitor, always use a dedicated rack mount bracket below.

P1710A: ERK-17

P1910A: ERK-19

Note: Rack mount bracket is not included. It is sold separately.

- 1) **CAUTION:** Two people are required for installation.
- 2) Unplug and remove any cables and/or other component connectors from the monitor.
- 3) Remove the screws and back stand. Remove the rivets on the side of monitor.
- 4) Always use the screws supplied by the rack mount bracket, and secure the bracket to the monitor.
- 5) Follow the instructions provided with your rack. And secure the monitor to the rack by appropriate screws.



AC Adapter

Precautions for Use

Be sure to use only the supplied AC adapter. Using a different AC adapter may cause the monitor to malfunction, heat up, or catch fire. Before using the AC adapter, carefully read and observe the Important Safeguards (→ page 3) and the notes below.

- ◆ Plug the AC adapter into the 100-240V AC outlet. If inserting it into other than 100-240V AC outlet, it may result in electric shock or fire hazard.
- ◆ Do not repair, modify or disassemble the AC adapter. It may result in electric shock or fire hazard.
- ◆ Keep the Plug free from any dust or dirt. Neglecting to do so may cause a fire due to deterioration of the insulation. Pull out the power plug from the outlet before cleaning.
- ◆ Do not cover or wrap the AC adapter with a cloth or place it near heating devices. It may cause fire or malfunction of the unit.
- ◆ Protect the power cord from being:
 - damaged, modified for extension, or subjected to extreme heat.
 - pulled, located under heavy objects, or pinched.
 - bent, twisted, or bundled.
- ◆ Neglecting to do so may cause electric shock or fire hazard.
- ◆ Do not expose this AC adapter to water.
- ◆ Install the AC adapter properly on a wall or ceiling after plugging in the AC adapter. Avoid dropping the AC adapter, failing to do so may cause serious personal injury or death.
- ◆ Do not allow the connectors on the AC adapter to come into contact with any other metal object as this may result in short circuit.
- ◆ To connect the AC adapter, firmly insert the plug end of the cable into the AC adapter jack.
- ◆ Do not insert the plug into other jacks as this may cause a malfunction.
- ◆ When removing the connection cable, disconnect the cable by holding its plug. Do not disconnect the cable by pulling on the cable.
- ◆ Do not drop the AC adapter or subject it to strong impact.
- ◆ Do not use the AC adapter in hot and humid places.
- ◆ Do not use the supplied AC adapter with devices other than this monitor.
- ◆ Temperature increasing on the surface of the adapter is normal. Before moving the adapter to another location, unplug it from the wall outlet, and wait until its temperature decreases.
- ◆ Buzzing noises may come from inside. This does not indicate malfunction.
- ◆ Using the AC adapter near a radio, TV, cell phone, or any wireless devices/equipment may cause interference. Use the adapter at sufficient distances from these devices.
- ◆ Be sure to use the supplied AC adapter. Using different AC adapter may cause fire hazard or the monitor to malfunction.

Specifications

Model: EA10521E-120 (This is for P1710A and P1910A)

Power source: 100-240V AC 1.8A, 50/60 Hz

Rated output: 12V DC 3.5A

Ambient temperature guaranteed for performance: 0° C to 40° C (32° F to 104° F)

Storage temperature: -20° C to 85° C (-4° F to 185° F)

Maximum external dimensions (Length x width x height): 120 x 60 x 35 mm (4.72 x 2.36 x 1.38 inches)

DC cord length: 1500 mm (59 inches)

LCD panel

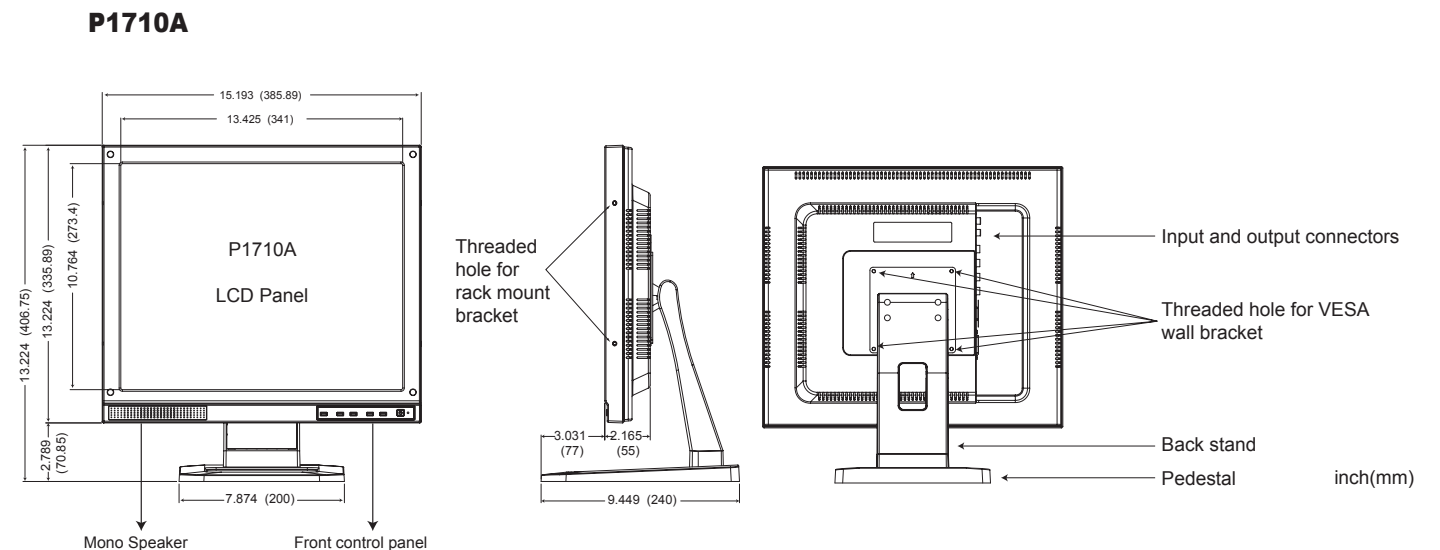
The following symptoms are technical limitations of LCD Display technology and are not an indication of malfunction; therefore, Toshiba is not responsible for perceived issues resulting from these symptoms.

- ◆ An afterimage (ghost) may appear on the screen if a fixed, nonmoving image is displayed for a long period of time. The afterimage is not permanent and will disappear in a short period of time.
- ◆ The LCD panel contained in this Monitor is manufactured using an extremely high level of precision technology; however, there may be an occasional pixel (dot of light) that does not operate properly (does not light, remains constantly lit, etc.). This is a structural property of LCD technology, is not a sign of malfunction, and is not covered under your warranty. Such pixels are not visible when the picture is viewed from a normal viewing distance.
- ◆ The fluorescent tube which illuminates the panel from the inside will deteriorate with use. When the LCD becomes dim, flickers, or does not illuminate, contact your dealer for replacement.
- ◆ The brightness of the LCD monitor differs slightly depending on the viewing angles. Adjust the angle to obtain the best viewing.

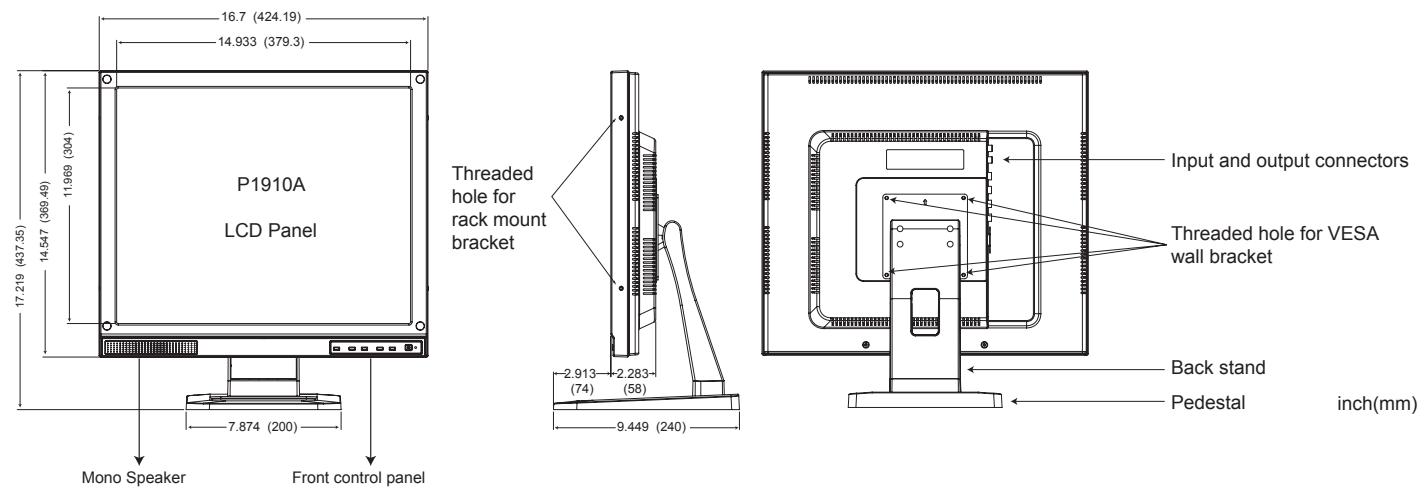
Components

- ◆ Color LCD Monitor x1
- ◆ Accessories
 - AC adapter x 1
 - Power cord x 1
 - VGA Cable x 1
 - Pedestal x 1
 - User's Manual x 1

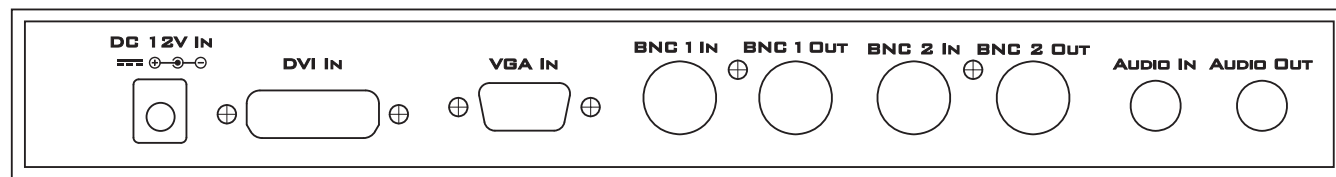
External View and Physical Description



P1910A



Input and Output connectors



DC 12V IN: Input connector of power. Connect to the output cable of AC adapter.

DVI IN: Input connector of DVI-D format RGB.

Type	TDMS Digital RGB.
Input impedance	100Ω (differential)

Note:

- DVI-D doesn't support audio signal. Connect audio cable separately.
- DVI-D doesn't support analog RGB and digital component signals. If you convert this connector to HDMI, it is able to support digital RGB only.
- This monitor doesn't support HDCP(High-bandwidth Digital Content Protection) signal. Don't connect to the HDMI connector of DVD player.

VGA IN: Input connector of analog RGB.

Type	Analog RGB (VGA)
Input impedance	75Ω

BNC 1 IN: Input connector of Video. (BNC connector)

Type	Composite video (NTSC or PAL)
Input impedance	75Ω

Note: This video channel is shown as "AV" on the screen.

BNC 1 OUT: Output connector of Video.(BNC connector)

Type	Composite video (NTSC or PAL)
Output impedance	75Ω

BNC 2 IN: Input connector of Video. (BNC connector)

Type	Composite video (NTSC or PAL)
Input impedance	75Ω

Note: This video channel is shown as "AV1" on the screen.

BNC 2 OUT: Output connector of Video.(BNC connector)

Type	Composite video (NTSC or PAL)
Output impedance	75Ω

AUDIO IN: Input connector of Audio. (RCA Jack)

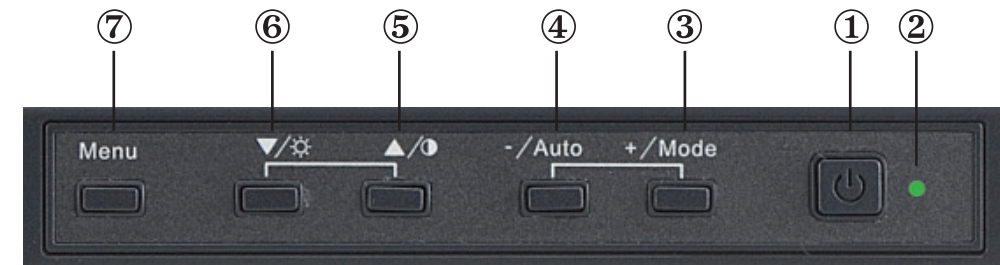
Input	0.5Vrms @1KHz (Mono)
-------	----------------------

AUDIO OUT: Output connector of Audio. (RCA Jack)

Output	Maximum 0.85Vrms @1KHz (Mono)
--------	-------------------------------

Note: Audio output signal is controlled by the volume in the OSD.

Setup for Monitor

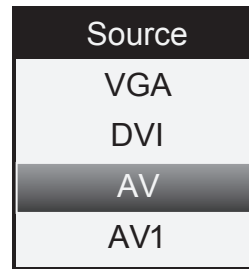


1.Front control panel

- ① Power Switch: Push to switch power on/off.
- ② LED Indicator: Power light indicator.
- ③ **[+ Mode]** : This switch has multi-function mentioned below.
 - (1) Push to change input Source. (VGA, DVI, AV, AV1)
 - (2) Push to select Picture, Setup or PC in Menu.
 - (3) Push to increase the value of Menu selected.
- ④ **[- Auto]**: This switch has multi-function mentioned below.
 - (1) VGA signal auto adjustment.
 - (2) Push to select Picture, Setup or PC in OSD Menu.
 - (3) Push to decrease the value of Menu selected.
- ⑤ **[▲/●]** : This switch has multi-function mentioned below.
 - (1) Select Menu upwards.
 - (2) Push this switch to adjust contrast directly, and push **[+ Mode]** or **[- Auto]** to change the value of contrast.

- ⑥ **[▼/☀]** : This switch has multi-function mentioned below.
- (1) Select Menu downwards.
 - (2) Push this switch to adjust brightness directly, and push **[+ Mode]** or **[- Auto]** to change the value of brightness.
- ⑦ **[Menu]** : Call or close the Menu. Push to return to the previous item

2. Selection of input signal



- (1) Push the **[+ Mode]** switch.
- (2) The following OSD is shown. Push the **[▲/⊙]** or **[▼/☀]** switch to select input signal.
- (3) Push the **[+ Mode]** switch again.
- (4) Push the **[Menu]** switch to clear.

3. Adjustment of contrast and Brightness

- (1) Push the **[▲/⊙]** or **[▼/☀]** switch.
- (2) The adjustment window is shown. Push the **[+ Mode]** or **[- Auto]** switch to adjust to the appropriate value.
- (3) Push the **[Menu]** switch to clear this window. (Or, adjustment window will disappear within 10 seconds automatically.)

4. Lock a switch and unlock

- (1) Push the **[Menu]** and **[▼/☀]** switch at once.
- (2) "LOCK" is shown on the screen. And all switches are suspended.
- (3) Push the **[Menu]** and **[▼/☀]** switch at once again.
- (4) "UNLOCK" is shown on the screen and released.

5. Menu function

- (1) Push the **[Menu]** switch.
- (2) The Menu is divided into three tabs, Picture, Setup and PC. They will appear under selected source signal.
 - VGA: Picture, Setup and PC tab will be shown.
 - DVI, AV, and AV1: Picture and Setup tab will be shown.
- (3) Push the **[▲/⊙]** or **[▼/☀]** switch to select menu item.
- (4) Push the **[+ Mode]** or **[- Auto]** switch to change the value of selected item.
- (5) Push the Menu switch to accept and return to the previous item.

6. VGA / DVI Menu and definition of functions

(1) VGA / DVI – Picture tab

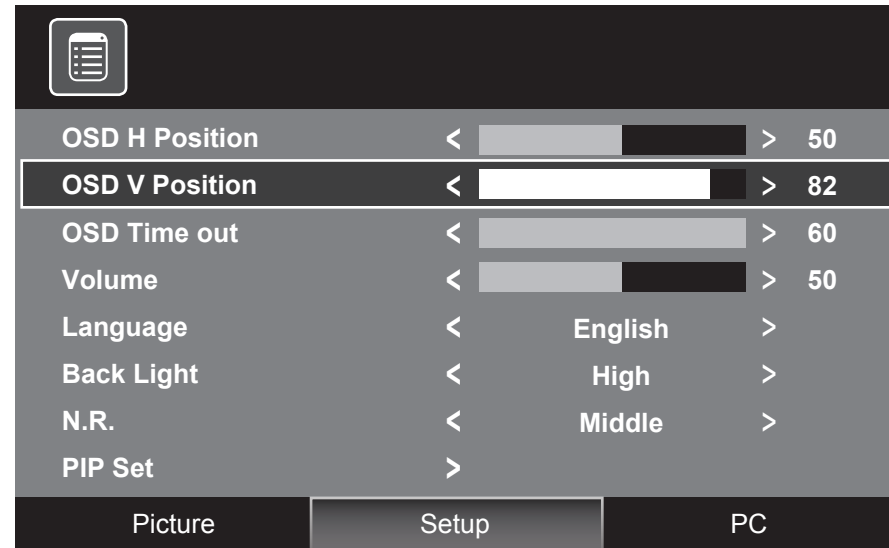


* Above items and value are subject to change without notice *

Menu	Value	Definition of functions
Brightness	0~100	Adjust the luminance level of the screen image
Contrast	0~100	Adjust the contrast level of the screen image
Sharpness(*)	0~100	Adjust the sharpness of the screen image
Color(*)	0~100	Adjust the saturation of color of the screen image
Color Temp.	User (individual setting) sRGB(6500K)/7500k/9300K	Push [+] or [-] switch to choose the color temperature (If you set "User", the following settings become effective.)
Color Temp R	0~100	Adjust color value of Red of the screen image
Color Temp G	0~100	Adjust color value of Green of the screen image
Color Temp B	0~100	Adjust color value of Blue of the screen image

(*) DVI input only.

(2)VGA / DVI - Setup tab



* Above items and value are subject to change without notice *

Menu	Value	Definition of functions
OSD H-Position	0~100	Adjust the horizontal position of Menu on the screen
OSD V-Position	0~100	Adjust the vertical position of Menu on the screen
OSD Time Out	5~60	Adjust the time-out period from Menu mode
Volume	0~100	Push [+] or [-] switch to control the speaker volume
Language	English, a couple of Chinese, German, French, Spanish, Italian	Select your language of OSD
Backlight	High, Middle, Low	Push [+] or [-] switch to adjust the back light of LCD
N.R.	0~100	Push [+] or [-] switch to adjust the level of noise reduction of the screen image
PIP Set	0~100	Push [+] switch to enter the sub-menu
Reset	Off, High, Middle, Low	Push [+] switch to reset to the default value

(3) VGA – PC tab (VGA input only)



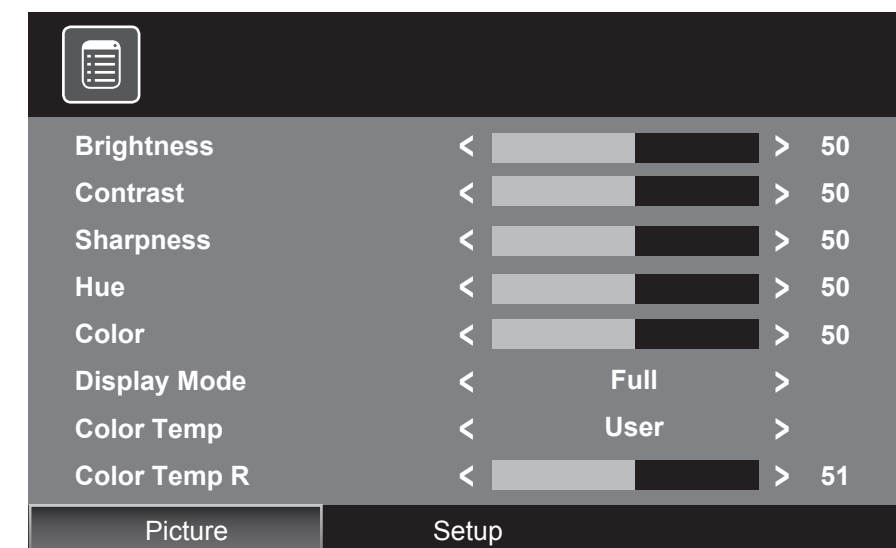
* Above items and value are subject to change without notice *

Menu	Value	Definition of functions
Image H Position	0~100	Adjust the horizontal position of the screen image
Image V Position	0~100	Adjust the vertical position of the screen image
Phase	0~63	Adjust the phase right to display clear image on the screen
Clock	0~90	Adjust the clock right to display clear image on the screen
Auto Adjust		Push [+] or [-] to set automatic adjustment of monitor setting

Note: These adjustments work for VGA input only.

7.Composite Video OSD Menu and definition of functions

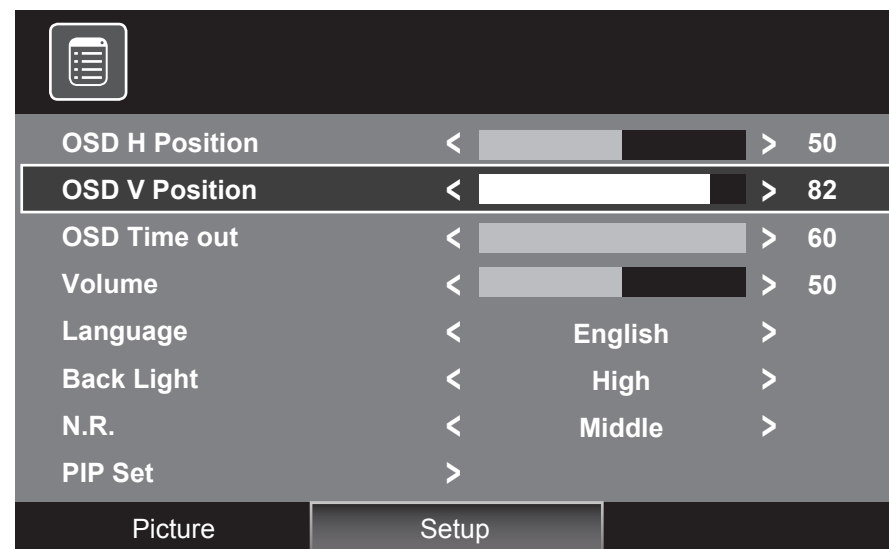
(1) AV, AV1 (Video) – Picture tab



* Above items and value are subject to change without notice *

Menu	Value	Definition of functions
Brightness	0~100	Adjust luminance level of the screen image
Contrast	0~100	Adjust contrast level of the screen image
Sharpness(*)	0~100	Adjust the sharpness of the screen image
Hue	0~100	Adjust the hue of color of the screen image (NTSC video only)
Color(*)	0~100	Adjust the saturation of color of the screen image
Display Mode	Full, 4:3, 16:9, Over, Under, 1:1	Adjust the display scan mode
Color Temp.	Warm/Cool/User	Push [+] or [-] button to choose the color temperature
Color Temp R	0~100	Adjust color value of Red of the screen image
Color Temp G	0~100	Adjust color value of Green of the screen image
Color Temp B	0~100	Adjust color value of Blue of the screen image

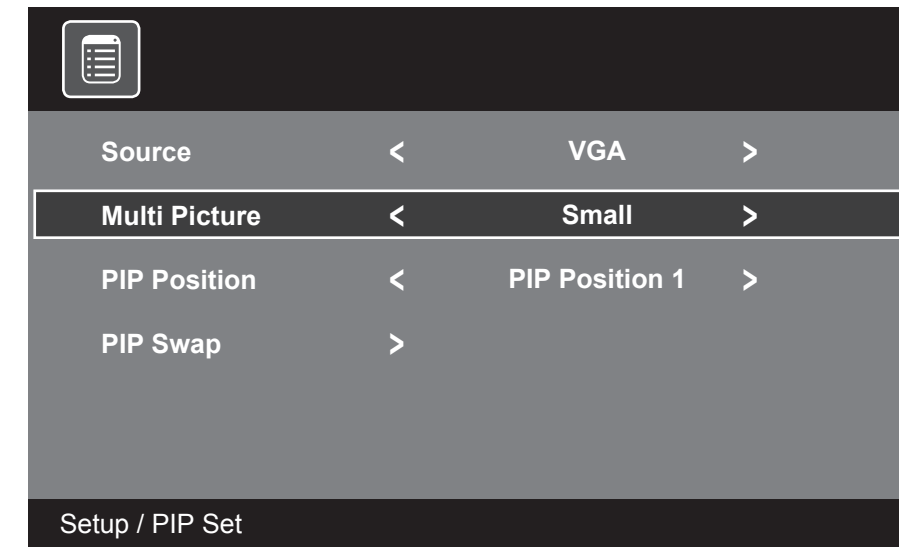
(2) AV, AV1 – Setup



* Above items and value are subject to change without notice *

Note: This setup is the same as VGA / DVI - Setup tab on page 15.

(3) PIP mode Setup



* Above items and value are subject to change without notice *

Menu	Value	Definition of functions
Source	(★1)	Push [+] or [-] switch to select the source on sub screen
Multi picture	None, Small, Middle, Large, POP (★2)	Push [+] or [-] to select the PIP mode and size of PIP screen
PIP Position	PIP Position 1, 2, 3, 4, and 5 (★3)	Push [+] or [-] to select the position of PIP screen
PIP Swap		Under PIP mode, push [+] to swap main screen for PIP screen

(★1) For this selection, there will be a difference in the source value you selected on the main screen.

Note: If you select composite video on the main screen, you cannot select other composite video on the PIP screen.

(★2) None: PIP mode OFF
 Small: Full width at fifth maximum
 Middle: Full width at fourth maximum
 Large: Full width at third maximum
 POP: Split screen

(★3) Position 1: Upper left
 Position 2: Lower left
 Position 3: Middle
 Position 4: Upper right
 Position 5: Lower right

Note: When PIP window is shown, if you select VGA input, the auto adjust doesn't work.

P1710A / P1910A Specification

MEMO

Model Number	P1710A	P1910A
Panel Size	17.0"	19.0"
Aspect Ratio	5:4	5:4
Resolution / Scan	640 x 480 @ 60/73/75	640 x 480 @ 60/73/75
	800 x 600 @ 56/60/72/75	800 x 600 @ 56/60/72/75
	1024 x 768 @ 60/70/75	1024 x 768 @ 60/70/75
	1280 x 1024 @ 60/75	1280 x 1024 @ 60/75
Brightness	380cd/m2 (Typ.) (★1)	250cd/m2 (Typ.) (★1)
Contrast	1000:1(Typ.) (★1)	1000:1(Typ.) (★1)
Panel Viewing Angle(H/V)	170° / 170°(Typ.) (★1)	170° / 170°(Typ.) (★1)
Response Time	5ms(Typ.)(★1)	5ms(Typ.)(★1)
Display color	16.7M	16.7M
Sync. Format	NTSC / PAL	
Frequency (Horizontal)	VGA/DVI: 31.5K - 80KHz, Video: 15750 / 15625Hz (NTSC/ PAL) (★2)	
Frequency (Vertical)	VGA/DVI: 56Hz -75Hz, Video: 50 / 60Hz (★2)	
Interfaces	Video Interface	Video Input x 2 (BNC), Video Output x 2 (BNC)
	Termination	75 ohm (Auto Termination)
	Graphic Interface	Analog RGB Input x 1(D-Sub 15), Digital RGB (DVI-D) Input x 1
	Audio Interface	Audio Input x 1, Audio Output(volume engaged) x 1
Built-in Speakers	1W x 1	
PIP	YES	
OSD Language	English, Traditional Chinese, Simplified Chinese, French, German, Spanish, Italian	
VESA Mounting	VESA 100	
Weight (NET)	10.2lb (4.6kg)	10.9lb (4.8kg)
External Dimensions (WxHxD)	15.2x16.0x9.4 inch (386x407x240 mm)	16.7x17.2x9.4 inch (424x437x240 mm)
Safety & EMI	AC adapter : UL, CUL, FCC/B Monitor : FCC/B	
Power supply	12V DC ± 10 %	
Current Consumption (max.)	12V DC / 3A	12V DC / 2A
Temp (Oper.)	32°F – 104°F (0°C-40°C)	
Humidity	20% ~ 80%	
Accessories	Pedestal, AC Adapter, Power cord, VGA cable, User's Manual	

Design and Specifications are subject to change without notice.

(★1) These values of specification are from panel spec.

(★2) It is not guaranteed for all the specified range.

MEMO

MEMO

LIMITED WARRANTY

COLOR LCD MONITOR

The Imaging Systems Division of Toshiba America Information Systems, Inc. ("ISD") makes the following limited warranties with regard to this COLOR LCD MONITOR ("Product"). These limited warranties extend to the Original End-User ("You[r]").

One (1) Year Limited Warranty of Labor and Parts ISD warrants that this Product will perform in accordance with specifications for a period of one (1) year from the date of purchase by Original End-User. During this one (1) year period, ISD will repair or replace the Product, if it does not perform as warranted. In order to take advantage of this Limited Warranty, You must: (a) deliver the Product to an ISD Authorized Service Provider ("ASP"); and (b) pay all transportation and insurance charges for shipment of the Product to the ASP. ISD reserves the right to substitute factory refurbished parts in place of those in need of repair.

User's Guide (User's manual): You should read the User's Guide (User's manual) thoroughly before operating this Product. Before seeking warranty service, you should check the troubleshooting guide in the User's Guide (User's manual) and follow the instructions to correct the problem.

How to Obtain Warranty Service Step-by-step Procedures: To obtain warranty service, You should:

1. Contact Toshiba America Information Systems Inc. Technical Support at (877) 855-1349 for operation or installation assistance.
2. A technical support specialist will help diagnose the problem. If the product requires a hardware repair, Toshiba support will provide a RMA to repair or replace the product.
3. Arrange for shipment of the Product to the Toshiba Exchange Center and include the RMA number you received from technical support.
4. Securely pack the Product in the original carton and external shipping pack, include a letter explaining the problem with a copy of the bill of sale or proof of purchase.
5. Prepay all transportation and insurance costs.

Questions? If you have any questions, please check our web site at <http://www.toshibasecurity.com>

Your Responsibilities: This Limited Warranty is subject to the following conditions:

1. You must provide the bill of sale or proof of purchase at the time that warranty service is required.
2. You must notify Toshiba America Information Systems Inc. Technical Support at (877) 855-1349 within (30) days after you discover that the product does not perform in accordance with the specifications during the Limited Warranty period.
3. All Warranty Service of this product must be by an ISD Authorized Service Provider.
4. You must pack the Product in its original carton using the original packing material. Then insert the original carton containing the Product into another carton with additional packing material before shipping the Product to an ASP.

DISCLAIMERS: ALL OTHER EXPRESS OR IMPLIED WARRANTIES ON THIS PRODUCT, INCLUDING THE IMPLIED WARRANTIES OF MERCHANTABILITY AND FITNESS FOR A PARTICULAR PURPOSE, ARE HEREBY DISCLAIMED. SOME STATES DO NOT ALLOW THE EXCLUSION OF IMPLIED WARRANTIES OR LIMITATIONS ON HOW LONG AN IMPLIED WARRANTY LASTS. SO THE ABOVE LIMITATIONS MAY NOT APPLY TO YOU. IF THIS PRODUCT IS NOT IN GOOD WORKING ORDER AS WARRANTED ABOVE, YOUR SOLE AND EXCLUSIVE REMEDY SHALL BE THE REPAIR OR REPLACEMENT OF THE PRODUCT. IN NO EVENT WILL ISD OR ITS PARENT COMPANY OR ANY ASP BE LIABLE TO YOU OR ANY THIRD PARTY FOR ANY DAMAGES IN EXCESS OF THE PURCHASE PRICE OF THE PRODUCT. THIS LIMITATION APPLIES TO DAMAGES OF ANY KIND, INCLUDING ANY DIRECT OR INDIRECT DAMAGES, LOST PROFITS, LOST SAVINGS OR OTHER SPECIAL, INCIDENTAL, EXEMPLARY OR CONSEQUENTIAL DAMAGES, WHETHER FOR BREACH OF CONTRACT, TORT OR OTHERWISE, OR WHETHER ARISING OUT OF THE USE OF OR INABILITY TO USE SUCH PRODUCT, EVEN IF TAIS, ITS PARENT COMPANY, OR AN ASP HAS BEEN ADVISED OF THE POSSIBILITY OF SUCH DAMAGES OR OF ANY CLAIM BY ANY OTHER PARTY. SOME STATES DO NOT ALLOW THE EXCLUSION OR LIMITATION OF INCIDENTAL OR CONSEQUENTIAL DAMAGES FOR SOME PRODUCTS, SO THE ABOVE LIMITATIONS OR EXCLUSIONS MAY NOT APPLY TO YOU.

THIS WARRANTY GIVES YOU SPECIFIC LEGAL RIGHTS, AND YOU MAY ALSO HAVE OTHER RIGHTS WHICH MAY VARY FROM STATE TO STATE.

THIS LIMITED WARRANTY SHALL BE VOID IF THE PRODUCT OR PARTS HAVE BEEN SUBJECTED TO MISUSE, ABUSE, ACCIDENT, IMPROPER INSTALLATION, IMPROPER MAINTENANCE, OR USE IN VIOLATION OF ISD'S WRITTEN INSTRUCTIONS, OR WHERE THE PRODUCT HAS BEEN ALTERED OR MODIFIED WITHOUT ISD'S PRIOR AUTHORIZATION, OR UPON THE REMOVAL OR ALTERATION OF ISD'S FACTORY SERIAL NUMBER. LABOR SERVICE CHARGES FOR PRODUCT INSTALLATION, SET UP AND ADJUSTMENT OF CONTROLS ARE NOT COVERED BY THIS LIMITED WARRANTY.

No person, agent, distributor, dealer, authorized service provider, or company is authorized to change, modify, or extend the terms of this Limited Warranty in any manner whatsoever. The time within which an action must be commenced to enforce any obligation of ISD arising under this Limited Warranty or under any statute, or law of the United States or any state thereof, is hereby limited to one (1) year from the date You discovered the problem. This limitation does not apply to impelled warranties arising under state law. Some states do not permit limitation of the time within which You may bring an action beyond the limits provided by state law, so the above provision may not apply to You. This Limited Warranty gives You specific legal rights and you may also have other rights which vary from state to state.

TOSHIBA AMERICA INFORMATION SYSTEMS, INC.

Imaging Systems Division