



Microwave Oven

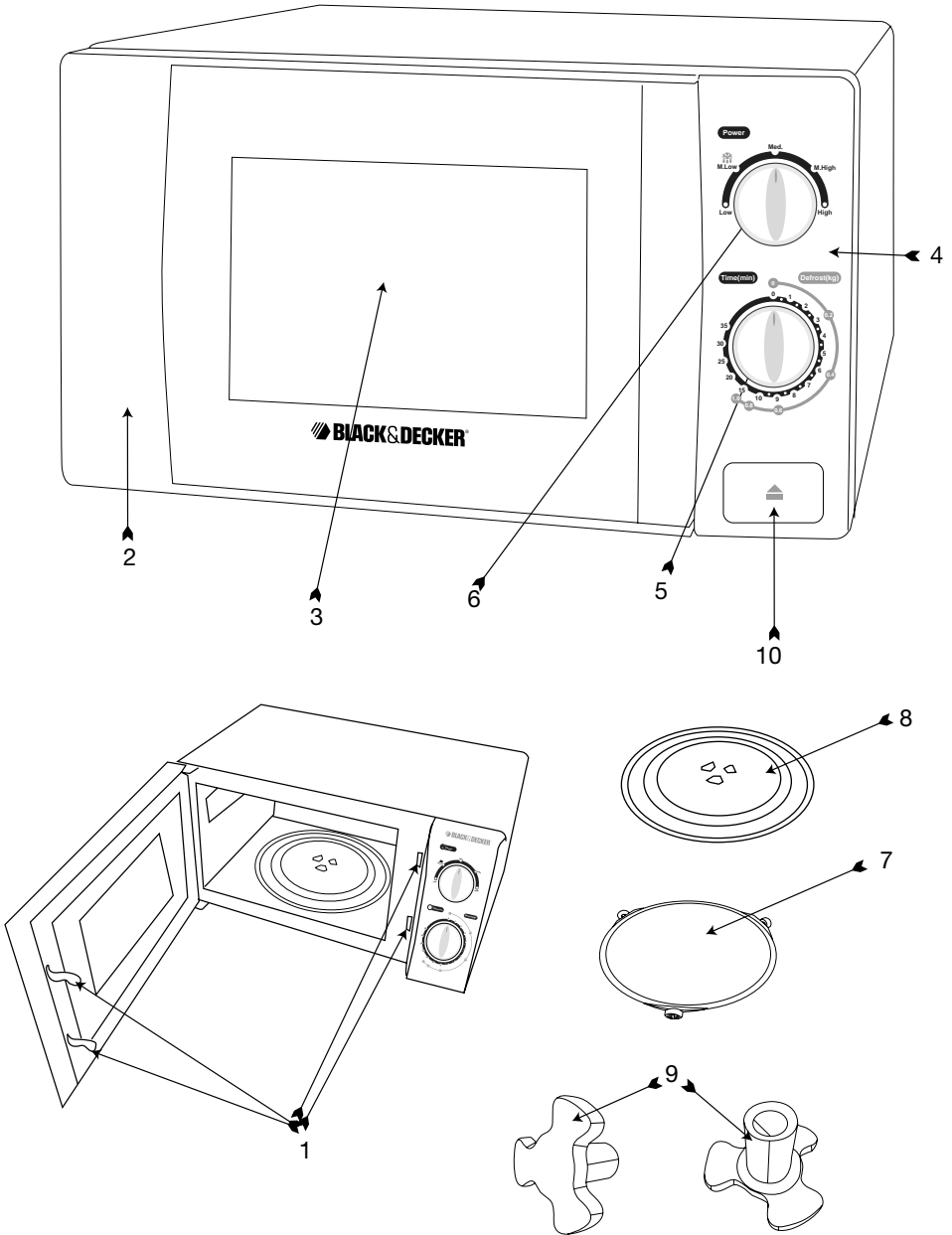


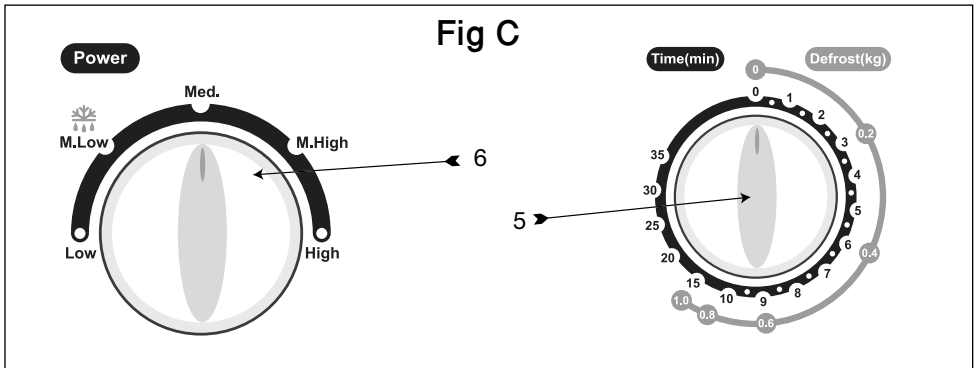
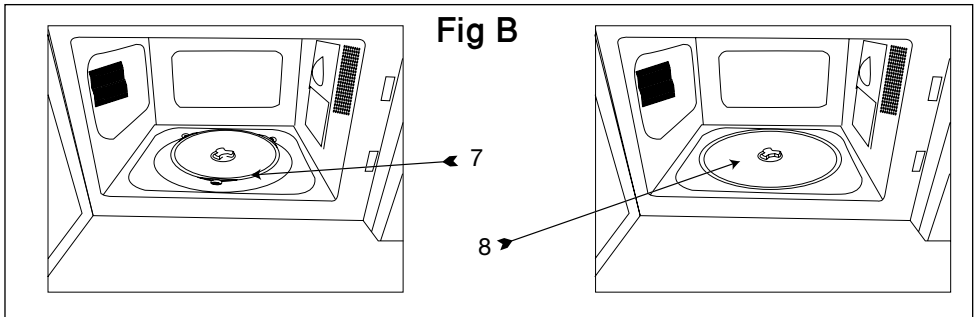
First Use Safety Recommendation

Please read through this booklet for safe and efficient use of the appliance. We urge you to read the "Hint's" section and also follow all detailed instructions even if you are familiar with using this appliance.

Keep this guide handy for future reference.

Fig A





Intended use

Your Black & Decker microwave oven is designed to heat appropriate foods & beverages using electromagnetic radiation. Always check the suitability of ingredients before cooking.

Do not use this appliance for any other purpose. This product is intended for indoor household use only.

Safety instructions

IMPORTANT SAFETY INSTRUCTIONS

READ CAREFULLY AND KEEP FOR FUTURE REFERENCE

- While using electrical appliances, in order to reduce the risk of fire, electric shock, and / or injury to persons, basic safety precautions should be followed, including the following:

WARNING: If the door or door seals are damaged, the oven must not be operated until it has been repaired by a competent person

WARNING: It is hazardous for anyone other than a competent person to carry out any service or repair operation that involves the removal of a cover which gives protection against exposure to microwave energy

WARNING: Liquids and other foods must not be heated in sealed containers since they are liable to explode

WARNING: Only allow children to use the oven without supervision when adequate instructions have been given so that the child is able to use the oven in a safe way and understands the hazards of improper use

English

- This microwave oven is a free-standing unit & must not be built-in or placed in a cabinet.
- The oven must have sufficient air flow. To ensure good ventilation, a gap of 10 centimetres is required at the back, 15 centimetres at one side, 30 centimetres at the other side and 30 centimetres above.
- Only use utensils that are suitable for use in microwave ovens
- When heating food in plastic or paper containers, keep an eye on the oven due to the possibility of ignition
- If smoke is observed, switch off or unplug the appliance and keep the door closed in order to stifle any flames
- Microwave heating of beverages can result in delayed eruptive boiling therefore care must be taken when handling the container
- The contents of feeding bottles and baby food jars shall be stirred or shaken and the temperature checked before consumption, in order to avoid burns
- Eggs in their shell and whole hard-boiled eggs should not be heated in microwave ovens since they may explode, even after microwave heating has ended
- The oven should be cleaned regularly and any food deposits removed
- Failure to maintain the oven in a clean condition could lead to deterioration of the surface that could adversely affect the life of the appliance and possibly result in a hazardous situation
- To protect against the risk of electric shock, DO NOT IMMERSE the appliance, cord set or plug in water or other liquids.
- Do not remove the feet from this product.
- Do not cook food directly on the glass tray. Always use a bowl or other container that is suitable for use in a microwave oven

Using your appliance

- Do not operate any appliance with a damaged cord or plug, or after the appliance malfunctions, or is dropped or damaged in any manner. Return the complete appliance to your nearest authorised service facility for examination, electrical repair, mechanical repair or adjustment to avoid any hazard.
- Do not attempt to repair the appliance yourself; instead, take it to your Black & Decker-owned or Authorised Service Centre for repair.
- The use of attachments or accessories not recommended or sold by this appliance manufacturer may result in fire, electric shock or personal injury.
- Do not let the cord hang over the edge of a table, counter, or touch hot surfaces.
- Avoid touching hot surfaces, use handles and knobs.
- Do not operate or place any part of this appliance on or near any hot surfaces (such as gas or electric burner or in a heated oven) or any appliance that generates steam.
- Do not abuse the cord. Never carry the appliance by the cord or yank it to disconnect it from the outlet; instead, grasp the plug and pull to disconnect.
- When using an extension cord with your appliance, make sure the extension cord is correctly wired, and rated for its use.

- The microwave oven should be placed on a flat stable surface which can hold the weight of the appliance and the heaviest of food likely to be cooked inside.
- Do not place any item on top of the oven.
- Do not operate the microwave oven without the glass tray or roller support in their proper positions.
- Make sure that the power supply cord is undamaged and does not run under the microwave oven or over any hot or sharp surfaces.
- Do not operate the appliance when empty. This could damage the oven.
- Do not use the oven to store any items.
- Food surrounded by a membrane, such as egg yolks, potatoes, chicken livers, etc. must be pierced several times with a fork before cooking.
- Do not use metal pans or dishes with metal handles.
- Never place any item with a metal trim inside a microwave.
- Always remove twist-ties from any foods before operating the microwave.
- Some plastics are not suitable for use in a microwave. Always check the suitability of any item before use.
- Do not cook in a container with a restricted opening as they may explode if heated in a microwave oven.
- Conventional meat or candy thermometers must not be used in the oven. Only thermometers that are specifically made for microwaves should be used.
- Microwave utensils should be used only in accordance with the manufacturer's instructions.
- Do not attempt to deep-fry foods in this oven.
- Microwave ovens heat the food in a container and not the container itself. It is always necessary to check the temperature of the food to ensure it is correctly cooked.
- Always stir food to distribute the heat evenly and allow it to stand for a few minutes before consumption.
- Containers used for cooking can become hot because of heat transferred from the heated food. Always use oven gloves when removing items from the oven.
- If steam accumulates inside or around the outside of the oven door, wipe with a soft cloth. This may occur when the microwave oven is operated under high humidity conditions and in no way indicates malfunction of the unit.

Safety of others

This appliance is not intended for use by persons (including children) with reduced physical, sensory or mental capabilities, or lack of experience and knowledge, unless they have been given supervision or instruction concerning use of the appliance by a person responsible for their safety.

Children should be supervised to ensure that they do not play with the appliance.

Close supervision is necessary when any appliance is used by or near children.

Never leave an appliance unattended when in use.

After use

Switch off and remove the plug from the power outlet when not in use, before assembling or disassembling parts, cleaning or carrying out any maintenance of the appliance. Never pull the cord while removing it from the power outlet.

Keep children and animals away from the unit and cord set.

Inspection and repairs

If the supply cord is damaged, it must be replaced by the manufacturer, its service agent or similarly qualified persons in order to avoid a hazard.

Electrical safety



This product must be earthed. Always check that the power supply corresponds to the voltage on the rating plate

Power plugs must match the outlet. Never modify the plug in any way. Do not use any adaptor plugs with earthed (Class I) appliances. Unmodified plugs and matching outlets will reduce the risk of electric shock.

Never operate an appliance directly below the socket-outlet it is connected to.

Do not insert any object into the openings on the outer case.

Extension cables & Class I product

- A 3-core cable must be used as your appliance is earthed and of Class I construction.
- Up to 30m (100 ft) can be used without loss of power.
- If the supply cord is damaged, it must be replaced by the manufacturer or an authorised Black & Decker Service Centre in order to avoid a hazard.

Features (Fig. A)

- 1 Door safety lock
- 2 Door
- 3 Window
- 4 Control panel
- 5 Timer control / Weight Defrost
- 6 Power control
- 7 Roller support
- 8 Glass tray
- 9 Stem
- 10 Door release

Unpacking

- Remove all packaging from the appliance.
- Inspect the oven after unpacking for any damage such as a misaligned or damaged door, dents or holes in the door window and screen, and any dents in the cavity. If any of these are seen, DO NOT use the oven.
- Clean the appliance before first use.

Assembly (Fig. B)

Warning! Before assembly, make sure that the appliance is switched off and unplugged.

- Place the appliance on a flat, even surface.
- Open the door (2) & place the stem (9) into the hole in the cavity base. The door is opened by pressing the door release (10).
- Place the roller support (7) into the hole in the cavity.
- Align the glass tray (8) on top of the roller support.
- Connect the appliance to a suitable electrical supply.

Use (Fig. C)

Place the food to be cooked onto a suitable container. Press the door release (10) to open the oven door then place the container onto the glass tray (8).

Close the door (2) & rotate the power control (6) to select the required power setting.

The power settings available are:

1	17%
2	33%
3	55%
4	77%
5	100%

Rotate the timer / weight defrost control (5) to the required cooking time.

If a cooking time less than 5 minutes is required, turn the timer past 5 minutes, and rotate it anti-clockwise to the actual time required.

Once cooking has completed, an audible signal will be heard. Open the door & remove the cooked food.

Always use oven gloves when removing items from the oven.

If the door of the oven is opened during cooking, the microwave oven will automatically stop working. Cooking will continue after re-closing the door.

If the remaining cooking time is not required, rotate the timer back to "0" (Off) before closing the door to prevent the oven operating when empty.

Operating the oven when empty could damage the oven.

To stop the oven during operation, return

the timer to the "0" (Off) position.

To defrost frozen items, first check the weight of the item.

Rotate the power control (6) to select the "M.Low" setting. The defrost cycle will start once the timer is turned.

Rotate the Timer / Weight Defrost control (5) to the weight of the item.

Always check that food is thoroughly defrosted before cooking.

Operating times and preparations

Follow directions on food packaging.

Switching on and off

The microwave will start to cook once the timer / weight (5) defrost is turned.

To stop the oven during operation, return the timer to the "0" (Off) position.

Cleaning and maintenance

The oven should be cleaned regularly and any food deposits removed

Failure to maintain the oven in a clean condition could lead to deterioration of the surface that could adversely affect the life of the appliance and possibly result in a hazardous situation

Turn the oven off and disconnect from the power supply before cleaning.

The outside oven surface & control panel should be cleaned with a damp cloth.

When cleaning surfaces of door, door seal, cavity of the oven, use only mild, non-abrasive soaps, or detergents applied with a sponge or soft cloth.

The glass tray can be washed in warm sudsy water or in a dishwasher & dried with a clean cloth.

The roller support and oven cavity should be cleaned regularly. The cavity should be cleaned with a damp cloth & a mild detergent & dried thoroughly. The roller ring should be washed in warm sudsy water or in a dish washer.

Note: To prevent damage to the operating parts inside the oven, water should not be allowed to enter the ventilation slots.

Do not use detergents, abrasives or spray-on cleaners on the control Panel.

Do not allow the Control Panel to become wet.

Detergents or abrasives must never be used.

Odours can be removed from the oven by combining a cup of water with the juice and skin of one lemon in a deep microwave-

able bowl. Microwave for 5 minutes, and dry the cavity thoroughly with a soft cloth.

Radio Interference

A microwave oven may interfere with the normal operation of radio, TV, or similar equipment. Should such interference occur, the following steps should be followed:

- Clean the door and sealing surface of the oven.
- Place the radio, TV, etc. as far away from the microwave oven as possible.
- Ensure the antenna fitted to the radio, TV, etc is correctly fitted & receiving a strong signal.
- Plug the microwave oven into a different socket outlet

Technical data		
MZ2000P:		
Rating	: 240V~50Hz	1250W
Microwave Power Output	: 700W	
Operation Frequency	: 2,450MHz	
External Dimensions	: 258mm x 340mm x 440mm (HxDxW)	
Cavity Dimensions	: 209.2mm x 291.6mm x 306mm (HxDxW)	
Oven Capacity	: 20 litres	
Unit weight	: 10.0 kg	



Protecting the environment

Separate collection. This product must not be disposed of with normal household waste.

Should you find one day that your Black & Decker product needs replacement, or if it is of no further use to you, do not dispose it off with other household waste. Make this product available for separate collection.



Separate collection of used products and packaging allows materials to be recycled and used again. Use of recycled materials helps prevent environmental pollution and reduces the demand for raw materials.

Local regulations may provide for separate collection of electrical products from the household, at municipal waste sites or by the retailer when you purchase a new product.

Black & Decker provides a facility for the collection and recycling of Black & Decker products once they have reached the end of their working life. To take advantage of this service please return your product to any authorised repair agent who will collect them on our behalf. You can check the location of your nearest authorised repair agent by contacting your local Black & Decker office at the address indicated in this manual. A list of authorised Black & Decker repair agents and full details of our after-sales service and contact are available on the Internet at: www.2helpU.com

BLACK & DECKER HOME APPLIANCE 2 YEAR WARRANTY

Black & Decker provides a 2 Year Warranty for this product from the date of purchase against defects due to defective materials or workmanship. Motor/element burn-outs due to voltage fluctuations are not covered under warranty. If the product should become defective within the warranty period, Black & Decker will repair or (at Black & Decker's discretion) replace it free of charge.

The warranty provisions do not cover failure due to accident, misuse, abuse, negligence or non observation of local regulations on the part of the user. Equally, the warranty provisions do not apply where the appliance has been serviced by a person not authorized by Black & Decker or serviced with non-approved parts and this has contributed to the fault of the product. Superseded models without a replacement equivalent will either be repaired or (at Black & Decker's discretion) replaced with another product of similar retail value.

UPON PURCHASE

Fill in the Warranty Registration Card with the original Authorized Dealer's stamp (indicating date of purchase) and attach your purchase receipt to it. Retain in case of claims in the future.

MAKING A CLAIM

Take your defective product together with the Warranty Registration Card & purchase receipt to your local service Centre. You can either do this in person or send it freight prepaid. If mailing or shipping your appliance, ensure that it is packed carefully in a sturdy carton with enough packing material to prevent damage. Include a note describing the problem to the service Centre and be sure to give your return address.

DESIGNED FOR DOMESTIC PURPOSES ONLY.

حفاظت از محیط زیست



این وسیله را نباید مانند دیگر زباله های عادی منزل بدور انداخت بلکه باید آنرا از دیگر زباله ها مجزا نمود. در صورتیکه یکروز محصول بلک اند دگر شما دیگر بکارتان نیامد یا خواستید آنرا با چیز دیگری جایگزین نمایید، آنرا با دیگر زباله های عادی منزل بدور نیاندازید بلکه آنرا جهت جمع آوری از دیگر زباله ها مجزا نمایید.

جداسازی محصولات و بسته بندی ها باعث می گردد تا بتوان آنها را بازیافت نمود و مجددا مورد استفاده قرار داد. استفاده از لوازم بازیافتی از آلودگی محیط زیست کاسته و نیاز به مواد خام را نیز کاهش خواهد داد.



ممکن است در قوانین محلی محل سکونت تان امکان جمع آوری لوازم الکتریکی منزل در اماکن خاصی توسط شهرداری یا فروشنده تجهیزات در نظر گرفته شده باشد.

کمپانی بلک اند دگر تسهیلاتی را جهت جمع آوری و بازیافت محصولات متعلق به شما (هنگامی که به پایان عمر کاری خود رسیده باشند) را ارائه می نماید. جهت بهره مندی از این امکان لطفاً محصول خود را به هر کدام از نمایندگی های تعمیر مجاز ما تحویل دهید و آنها محصولات را به نیابت از ما تحویل خواهند گرفت. جهت یافتن نزدیک ترین مرکز تعمیر مجاز در محل سکونت تان با دفتر محلی بلک اند دگر در آدرس هایی که در این راهنما ذکر گردیده اند تماس حاصل نمایید. جهت دریافت لیست کامل و جزئیات نمایندگی های خدمات پس از فروش بلک اند دگر و شماره های تماس آنها به آدرس اینترنتی www.2helpU.com مراجعه نمایید.

ضمانتنامه ۲ ساله لوازم خانگی بلک اند دگر

بلک اند دگر این محصول را به مدت ۲ سال از تاریخ خرید در برابر ایرادات ناشی از خرابی لوازم یا خطاهای ساخت تضمین می کند. سوختن موتور بر اثر نوسانات برق شهری مشمول این ضمانت نمی شود. در صورتیکه دستگاه در خلال مدت ضمانت خراب شود، بلک اند دگر آنرا به صلاحدید خود و بطور مجانی تعمیر و یا قطعات آنرا تعویض خواهد نمود.

این ضمانت، ایرادات حاصله بر اثر تصادف، عدم استفاده صحیح، استفاده غلط، بی مبالائی یا عدم توجه به قوانین محلی در جایی که مالک دستگاه در آن سکونت دارد را در بر نمی گیرد. بگونه ای مشابه، در صورتیکه دستگاه توسط تعمیر گاهی غیر از مراکز تعمیر مجاز بلک اند دگر سرویس شده باشد و یا در سرویس آن قطعات غیر اصلی بکار رفته که منجر به خرابی دستگاه شده باشد، ضمانت دستگاه از اعتبار خارج می شود. مدل های قدیمی که مشابه شان برای جایگزینی دیگر موجود نمی باشد، تعمیر شده یا به صلاحدید بلک اند دگر با محصولی دیگر با ارزش مشابه جایگزین خواهند شد.

به هنگام خرید

فرم ثبت ضمانتنامه را پر نموده از فروشنده محصول بخواهید تا آنرا با ذکر تاریخ خرید محصول مهر نموده و رسید خرید را نیز به آن اساق نماید. کارت ضمانت را جهت مراجعات بعدی حفظ نمایید.

روش مطالبه

وسیله معیوب خود را به همراه کارت ضمانت و رسید خرید آن به نزدیکترین مرکز سرویس مجاز محل سکونت خود ببرید. شما می توانید اینکار را مستقیماً یا توسط پیک پیش پرداز انجام دهید. در صورتیکه دستگاه خود را با پست و یا پیک ارسال می نمایید آنرا داخل یک کارتن محکم قرار داده و اطراف آن را با مواد مخصوص بسته بندی پر کنید تا از آسیب رسیدن به دستگاه به هنگام حمل جلوگیری شود. به همراه دستگاه توضیچی مختصر از ایراد آن را هم ارسال نموده و ذکر آدرس گیرنده را نیز فراموش ننمایید.

طراحی شده تنها جهت مصارف خانگی

دستگاه را به مدت ۵ دقیقه بکار بیاندازید. پس از خاتمه کار، بدنه داخلی دستگاه را با یک پارچه نرم و خشک تمیز کنید.

تداخل رادیویی

یک اجاق مایکروویو ممکن است باعث تداخل در عملکرد عادی رادیو، تلویزیون، یا سایر تجهیزات مشابه شود. در صورت بروز چنین مسئله ای باید به روش زیر عمل شود:

- سطح درب و درزگیرهای اجاق را تمیز کنید.
- رادیو، تلویزیون و وسایل مشابه را تا حد امکان از اجاق مایکروویو دور نگه دارید.
- از نصب صحیح آنتن رادیو، تلویزیون و وسایل مشابه و دریافت صحیح سیگنال توسط آنها اطمینان حاصل کنید.
- اجاق مایکروویو را به یک پریز دیگر بنزد تا اجاق و دستگاه گیرنده شما به یک پریز مشترک وصل نشده باشند.

حلقه چرخنده و بخش داخلی اجاق را باید بطور منظم تمیز کرد. محافظه داخلی اجاق باید با یک پارچه مرطوب و شوینده ضعیف و ملایم شسته شده و پس بطور کامل خشک شود. حلقه چرخنده را می توان با آب و صابون و یا در داخل ماشین ظرفشویی مورد شستشو قرار داد.

نکته: جهت جلوگیری از بروز صدمه برای بخش های داخلی اجاق، نباید اجازه داد تا آب از طریق مجراهای تهویه وارد داخل دستگاه شود.

هرگز از مواد شوینده، ساینده و یا اسپری ها برای تمیز کردن صفحه کنترل دستگاه استفاده نکنید.

از خیس شدن صفحه کنترل جلوگیری کنید.

هرگز نباید مواد شوینده و یا ساینده را مورد استفاده قرار داد. برای برطرف کردن بوی داخل اجاق، یک فنجان مخلوط آب، آب لیمو و پوست را آماده کرده و آنرا در یک کاسه قابل قرار گیری در مایکروویو بریزید. حال این کاسه را در اجاق قرار داده و

مشخصات فنی

MZ2000P:

مشخصات الکتریکی	: ۲۴۰-۲۲۰ ولت ~ ۵۰ هرتز ۱۲۵۰ وات
خروجی توان مایکروویو	: ۷۰۰ وات
فرکانس کاری	: ۲,۴۵۰ مگا هرتز
ابعاد خارجی	: ۴۴۰ (عرض) × ۳۴۰ (عمق) × ۲۵۸ (ارتفاع) میلی متر
ابعاد محافظه اجاق مایکروویو	: ۳۰۶ (عرض) × ۲۹۱/۶ (عمق) × ۲۰۹/۲ (ارتفاع) میلی متر
گنجایش اجاق مایکروویو	: ۲۰ لیتر
وزن دستگاه	: ۱۰/۰ کیلوگرم

نحوه استفاده از دستگاه (شکل ج)

غذایی که قرار است پخته شود را در داخل ظرف مناسب بریزید. دستگیره مخصوص باز کردن درب دستگاه (۱۰) را فشار دهید تا درب اجاق باز شود. حال ظرف را روی سینی شیشه ای (۸) قرار دهید. درب اجاق (۲) را بسته و دگمه کنترل توان (۶) را روی تنظیم توان مورد نیاز بچرخانید.

تنظیمات توان در نظر گرفته شده برای دستگاه عبارتند از:

۱	۱۷٪
۲	۳۳٪
۳	۵۵٪
۴	۷۷٪
۵	۱۰۰٪

دگمه تایمر / یخ زدایی بر اساس وزن (۵) را روی زمان پخت مورد نیاز بچرخانید. در صورتی که مدت زمان پخت کمتر از ۵ دقیقه می باشد تایمر را به بعد از ۵ دقیقه چرخانده، سپس آنرا در خلاف جهت عقربه های ساعت بچرخانید تا روی زمان مورد نیاز تنظیم شود.

هنگامی که عملیات پخت غذا به اتمام رسید، یک سیگنال صوتی شنیده خواهد شد. پس از شنیدن این صدا درب اجاق مایکروویو را باز کرده و غذای پخته شده را بیرون بیاورید. همیشه از دستکش یا دستگیره برای بیرون آوردن ظروف از داخل اجاق مایکروویو استفاده کنید.

اگر درب اجاق در خلال عملیات پخت غذا باز شود، دستگاه بطور اتوماتیک متوقف می شود. عملیات پخت غذا پس از بستن درب اجاق ادامه خواهد یافت.

اگر دیگر به ادامه پخت غذا نیازی نیست، پیش از بستن درب اجاق، دگمه تایمر را روی عدد "0" (خاموش) برگردانید تا از خالی کار کردن دستگاه جلوگیری شود.

خالی کار کردن دستگاه ممکن است موجب بروز صدمه به آن شود.

جهت توقف کار اجاق مایکروویو در حین کار آن، تایمر را به روی حالت "0" (خاموش) بازگردانید.

جهت یخ زدایی از مواد غذایی منجمد، ابتدا وزن آنها را محاسبه کنید. دگمه کنترل توان (۶) را روی وضعیت

"M.Low" قرار دهید. عملیات یخ زدایی پس از چرخاندن دگمه تایمر دستگاه آغاز خواهد شد.

دگمه تایمر / یخ زدایی بر اساس وزن (۵) را روی وزن ماده غذایی تنظیم کنید.

پیش از اقدام به پختن هر گونه ماده غذایی همیشه از باز شدن کامل یخ آن اطمینان حاصل کنید.

مدت زمان لازم برای پخت مواد غذایی و نحوه آماده سازی

برای مطلع شدن در این زمینه به دستورالعمل های روی بسته بندی مواد غذایی مراجعه کنید.

روشن و خاموش کردن دستگاه

مایکروویو با چرخاندن دگمه تایمر / یخ زدایی بر اساس وزن (۵) شروع بکار می کند.

جهت توقف کار اجاق مایکروویو در حین کار تایمر را به روی حالت "0" (خاموش) بازگردانید.

نحوه تمیز کردن و نگهداری از اجاق مایکروویو :

اجاق مایکروویو را باید بطور منظم تمیز کرده و ته مانده های مواد غذایی آن را باید خارج کرد.

عدم تمیز نگه داشتن اجاق می تواند باعث خراب شدن سطح آن و در نتیجه موجب کاهش طول عمر اجاق و افزایش احتمال بروز خطرات شود. توصیه می شود که دستگاه بطور منظم تمیز شود.

پیش از اقدام به تمیز کردن دستگاه حتما آنرا خاموش کرده و از دو شاخه آنرا از پریز برق خارج کنید.

سطح خارجی اجاق و صفحه کنترل آنرا باید با یک پارچه مرطوب تمیز کرد.

به هنگام تمیز کردن سطح درب دستگاه و درزگیرهای روی آن فقط باید از صابون یا شوینده های خفیف و غیر ساینده که روی یک تکه اسفنج یا پارچه نرم ریخته شده است استفاده کرد.

سینی شیشه ای را می توان با آب ملایم و صابون و یا در ماشین ظرفشویی مورد شستشو قرار داده و سپس با یک پارچه تمیز خشک کرد.

بخش های مختلف دستگاه (شکل الف)

- ۱ سیستم قفل ایمنی درب
- ۲ درب دستگاه
- ۳ پنجره اجاق
- ۴ صفحه کنترل
- ۵ دگمه تایمر / یخ زدایی بر اساس وزن
- ۶ دگمه کنترل توان
- ۷ حلقه چرخنده
- ۸ سینی شیشه ای
- ۹ دسته
- ۱۰ دستگیره باز کردن درب دستگاه

پیش از استفاده برای اولین بار

- تمامی بسته بندی های دور دستگاه را بردارید.
- اجاق میکروویو را از بابت وجود هر گونه صدمه، از قبیل خمیدگی و تنظیم ناصحیح درب دستگاه، صدمه دیدگی درزگیر های درب و سطح درز گیری، شکستگی و یا شل بودن لولا های درب و یا قفل ها و همچنین تو رفتگی ها و ضربه دیدگی های محفظه داخلی یا روی درب دستگاه بازبینی کنید. در صورت مشاهده هر کدام از موارد فوق از اجاق میکروویو استفاده نکنید.
- دستگاه را پیش از اولین بار استفاده تمیز کنید.
- نصب و سرهم بندی بخش های دستگاه (شکل ب)

توجه! پیش از اقدام به نصب و سرهم بندی بخش های دستگاه از خاموش بودن و عدم اتصال آن به پریز برق اطمینان حاصل کنید.

- دستگاه را روی یک سطح صاف و هموار قرار دهید.
- درب دستگاه (۲) را باز کرده و دسته (۹) را در داخل سوراخ داخل محفظه اجاق قرار دهید. درب اجاق با فشار دادن دستگیره مخصوص باز کردن درب دستگاه (۱۰) باز می شود.
- حلقه چرخنده (۷) را در داخل سوراخ داخل محفظه قرار دهید.
- سینی شیشه ای (۸) را روی حلقه چرخنده قرار داده و آنرا بخوبی روی آن تراز کنید.
- حال دستگاه را به منبع تغذیه الکتریکی مناسب وصل کنید.

پس از استفاده

همواره پیش از دور شدن از دستگاه و یا پیش از تعویض، تمیز کردن یا بازرسی بخش های مختلف آن، دستگاه را خاموش کرده و آنرا از پریز برق خارج کنید. برای خارج کردن دو شاخه دستگاه از پریز برق، هرگز سیم آنرا نکشیده و یا آنرا با فشار و بطور ناگهانی از پریز خارج نکنید.

بچه ها و حیوانات را از دستگاه و سیم برق آن دور نگه دارید.

بازبینی و تعمیرات

در صورتیکه سیم برق و یا دو شاخه دستگاه خراب و یا معیوب باشد باید تعمیر آنرا بدست سازنده دستگاه یا مرکز مجاز سرویس و خدمات بلک اند دکر سپرد تا از بروز خطر جلوگیری شود.

ایمنی الکتریکی

این محصول باید دارای اتصال زمین باشد.



همواره از همخوانی ولتاژ مشخص شده روی پلاک مشخصات فنی دستگاه با برق شهر اطمینان حاصل کنید. دو شاخه دستگاه باید با پریز همخوانی داشته باشد. از اعمال هرگونه تغییر در دو شاخه دستگاه جدا پرهیز کنید. از بکار بردن دو شاخه های مبدل یا دستگاه های دارای اتصال زمین (کلاس ۱) جدا پرهیز کنید. عدم دستکاری در دو شاخه ها و همخوانی پریزها موجب کاهش خطر شوک الکتریکی می شود.

هرگز دستگاه را مستقیماً در زیر پریز برقی که به آن متصل می باشد مورد استفاده قرار ندهید.

هرگز اشیاء را داخل شکاف های روی بدنه خارجی دستگاه نکنید.

سیم های رابط و دستگاه های کلاس ۱

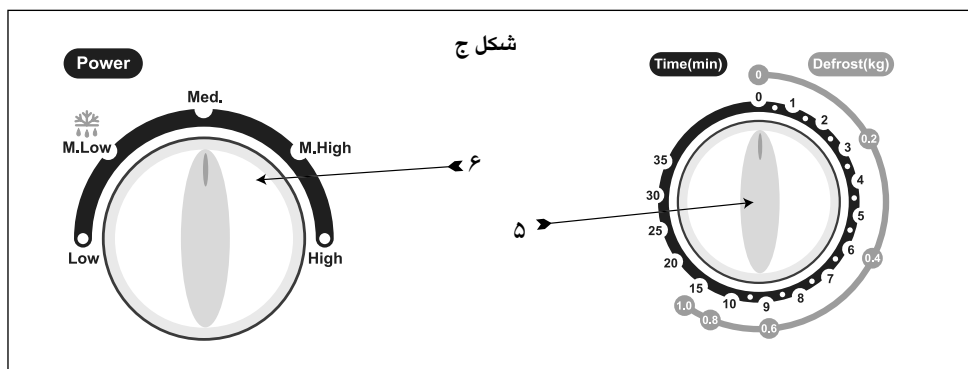
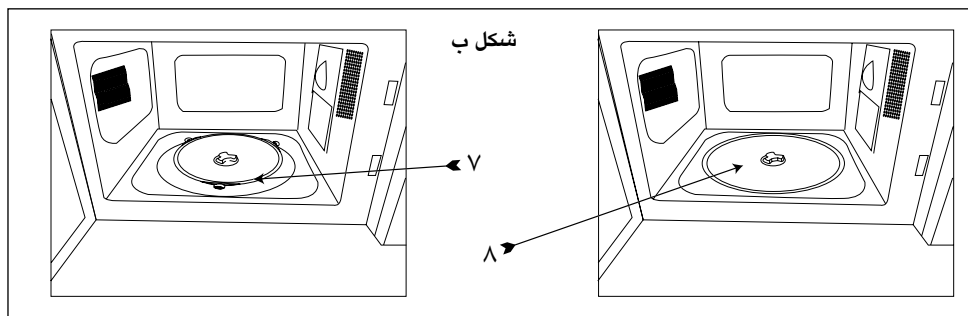
- جهت اتصال برق دستگاه باید از یک سیم سه رشته استفاده شود زیرا دستگاه شما به کلاس ۱ تعلق داشته و به اتصال زمین نیازمند می باشد.
- یک سیم رابط بطول ۳۰ متر (۱۰۰ فوت) را می توان بدون نگرانی از افت توان مورد استفاده قرار داد.
- در صورت معیوب بودن سیم برق دستگاه، باید آنرا توسط تولید کننده دستگاه و یا مرکز سرویس و خدمات بلک اند دکر تعویض کرد تا از بروز خطر جلوگیری شود.

- اجاق مایکروویو باید روی سطح صافی قرار بگیرد که قادر به تحمل وزن دستگاه و سنگین ترین مواد غذایی احتمالی که برای پخت در داخل قرار می گیرد باشد.
- هرگز چیزی را روی بدنه اجاق قرار ندهید.
- در صورت عدم قرار گرفتن سینی شیشه ای، حلقه چرخنده و محور اجاق مایکروویو در سر جای مناسب خود، هرگز دستگاه را مورد استفاده قرار ندهید.
- از سالم بودن سیم برق دستگاه اطمینان یابید و مواظب باشید تا از زیر اجاق مایکروویو و یا بالای سطوح داغ و یا تیز رد نشود.
- در صورت خالی بودن اجاق آنرا مورد استفاده قرار ندهید. اینکار ممکن است باعث بروز صدمه به دستگاه شود.
- از دستگاه برای نگهداری مواد غذایی استفاده نکنید.
- مواد غذایی مانند زرده تخم مرغ، سیب زمینی، جگر مرغ و از این قبیل که در داخل یک غشاء یا پوسته قرار دارند قبل از قرار گیری در اجاق و پخته شدن باید چند بار با یک چنگال سوراخ شوند.
- هرگز ماهیتابه ها و ظروف فلزی یا بشقاب هایی که دارای دسته فلزی هستند را در داخل اجاق مایکروویو قرار ندهید.
- هرگز ظروف فلزی و یا بشقاب هایی با لبه فلزی را در داخل اجاق مایکروویو قرار ندهید.
- پیش از قرار دادن پاکت های پلاستیکی یا کاغذی و کلا هر گونه ماده غذایی در داخل اجاق سیم های پیچیده شده دور آنها را باز کنید.
- برخی انواع پلاستیک برای قرار گرفتن در داخل مایکروویو مناسب نیستند. همیشه پیش از قرار دادن وسایل در داخل اجاق از مناسب بودن آنها برای اینکار اطمینان حاصل کنید.
- هرگز در ظرفی که در پیچه های خروجی آن مسدود شده است اقدام به پختن غذا نکنید زیرا این ظروف ممکن است در داخل اجاق مایکروویو منفجر شوند.
- از قرار دادن حرارت سنج های عادی مخصوص گوشت و یا شیرینی در داخل اجاق مایکروویو پرهیز کنید. تنها از حرارت سنج های مورد توصیه برای این اجاق مایکروویو استفاده کنید.
- ظروف مایکروویو باید فقط مطابق با دستورالعمل های تولید کننده مورد استفاده قرار گیرند.
- از سرخ کردن مواد غذایی در داخل این اجاق مایکروویو پرهیز کنید.
- اجاق های مایکروویو غذای داخل ظرف، و نه خود آنرا، گرم می کنند. همیشه لازم است تا حرارت غذا را مورد توجه قرار داد تا از پخت صحیح آن اطمینان حاصل شود.
- همیشه غذا را هم بزیند تا گرما در سرتاسر آن بطور متناسب پخش شود و برای میل کردن آن هم چند دقیقه صبر کنید.
- ظرفی که برای پخت و پز مورد استفاده قرار می گیرند ممکن است بواسطه گرمای منتقل شده به آنها توسط مواد غذایی داغ شوند. بنابراین برای بیرون آوردن ظروف از داخل اجاق مایکروویو همواره از یک دستمال یا دستگیره استفاده کنید.
- اگر در داخل و یا اطراف درب اجاق بخار جمع شود، آنرا با یک پارچه نرم تمیز کنید. بروز این حالت در جاهایی که مایکروویو تحت شرایط رطوبت بالا مشغول بکار می باشد طبیعی بوده و بهیچوجه نشانه عیب فنی دستگاه بشمار نمی رود.

ایمنی دیگران

- این دستگاه برای استفاده افرادی که از معلولیت فیزیکی و ذهنی رنج می برند (و از جمله کودکان) و یا اشخاصی که از تجربه و دانش کافی برای استفاده از این دستگاه برخوردار نیستند مناسب نمی باشد، مگر اینکه توسط شخصی که مسئولیت ایمنی آنها را به عهده دارد به آنها در این زمینه آموزش لازم داده شده یا به کار آنها نظارت شود.
- همواره باید مواظب بود تا کودکان با این وسیله بازی نکنند.
- به هنگام استفاده از دستگاه در جایی که کودکان در آن حضور دارند، باید توجه و نظارت کاملی مد نظر قرار گیرد
- در هنگام مشغول بکار بودن دستگاه هرگز آنرا بدون توجه بحال خود رها نکنید.

- این اجاق مایکروویو از نوع خود ایستا و قابل جابجایی بوده و نباید آنرا در یک کابینت قرار داده شده یا نصب شود.
 - برای اطمینان از تهویه صحیح، اجاق مایکروویو باید در مکانی قرار گرفته شود که در اطراف آن جریان هوای کافی وجود داشته باشد. برای اینکار باید ۳۰ سانتی متر از بالا، ۱۰ سانتی متر از پشت و ۱۵ سانتی متر از هر دو طرف دستگاه باز باشد.
 - فقط از ظروف آشپزخانه ای استفاده کنید که برای استفاده در اجاق های مایکروویو مناسب هستند.
 - به هنگام گرم کردن مواد غذایی در داخل یک ظرف پلاستیکی یا کاغذی، اجاق را از بابت آتش سوزی تحت نظر داشته باشید.
 - در صورت مشاهده دود، اجاق مایکروویو را خاموش کرده یا از برق بکشید و درب آنرا بسته نگه دارید تا آتش خفه شود.
 - به هنگام گرم کردن نوشیدنی ها در داخل اجاق مایکروویو باید به احتمال جوشیدن فورانی یا تاخیر آنها توجه کرد؛ بنابراین به هنگام جابجایی این مایعات باید دقت فراوانی مبذول شود.
 - محتویات بطری شیری یا ظروف غذایی کودکان را باید هم زده یا تکان داد. در ضمن قبل از سرو غذا برای کودکان باید حرارت آنرا بررسی کرد تا از بروز سوختگی جلوگیری شود.
 - تخم مرغ های داخل پوسته و تخم مرغ های درسته پخته شده را نباید در اجاق مایکروویو قرار داد زیرا ممکن است حتی پس از اتمام عملیات گرم شدن توسط اجاق، منفجر شوند.
 - اجاق مایکروویو را باید بطور منظم تمیز کرده و ته مانده های مواد غذایی آن را باید خارج کرد.
 - عدم تمیز نگه داشتن اجاق می تواند باعث خراب شدن سطح آن و در نتیجه موجب کاهش طول عمر اجاق و افزایش احتمال بروز خطرات شود. توصیه می شود که دستگاه بطور منظم تمیز شود.
 - جهت محافظت از دستگاه در برابر شوک الکتریکی، از غوطه ور کردن دستگاه، سیم برق یا دو شاخه آن در آب یا سایر مایعات جدا پرهیز کنید.
 - هرگز پایه های دستگاه را از آن جدا نکنید
- از پختن مستقیم مواد غذایی روی سینی شیشه ای اجاق پرهیز کنید. (غذا همیشه باید در داخل یک ظرف مناسب ریخته شود). همیشه از یک کاسه یا ظرف که قابل قرار گرفتن در داخل اجاق مایکروویو می باشد استفاده کنید.
- ### استفاده از دستگاه
- در صورتیکه سیم برق و یا دو شاخه دستگاه خراب و یا معیوب بوده و یا هنگامی که دستگاه به زمین افتاده یا به هر صورتی صدمه دیده است، هرگز آنرا مورد استفاده قرار ندهید. جهت جلوگیری از بروز هر گونه خطر دستگاه را با تمامی بخش های آن به نزدیک ترین مرکز سرویس و تعمیر مجاز تحویل دهید تا مورد تعمیر الکتریکی، مکانیکی و یا تنظیم قرار گیرد.
 - هرگز خود به تنهایی نسبت به تعمیر دستگاه اقدام نکنید؛ در عوض تعمیر دستگاه را به مرکز سرویس و تعمیرات مجاز متعلق به بلک اند دکور و یا مورد تایید آن تحویل دهید.
 - استفاده از تجهیزات و لوازم جانبی که توسط تولید کننده دستگاه توصیه نشده و یا به همراه این دستگاه فروخته نشده است ممکن است باعث بروز آتش سوزی، شوک الکتریکی و یا صدمه فردی شود.
 - هرگز اجازه ندهید تا سیم برق دستگاه از لبه های میز یا پیشخوان آویزان مانده و یا با سطوح داغ در تماس باشد.
 - از لمس کردن سطوح داغ پرهیز کرده و برای اینکار از دستمال و دستگیره استفاده کنید.
 - از بکار بردن و یا قرار دادن بخش های این دستگاه در مجاورت و یا روی سطوح داغ (از قبیل خوراک پزهای الکتریکی و یا در داخل فر داغ) و یا هر گونه دستگاه که بخار از خود متصاعد می کند، جدا پرهیز کنید.
 - هرگز سیم برق دستگاه را بگونه ای غلط مورد استعمال قرار ندهید. از بلند کردن دستگاه توسط سیم برق آن پرهیز کرده و برای خارج کردن دستگاه از پریز برق، سیم آنرا نکشیده و یا آنرا با فشار و بطور ناگهانی از پریز خارج نکنید. برا اینکار دو شاخه دستگاه را گرفته و آنرا از برق خارج کنید.
 - به هنگام استفاده از سیم رابط با دستگاه خود، از سیم کشی صحیح و تناسب سیم رابط با کاربرد مورد نظر خود اطمینان یابید.



مورد مصرف

دستگاه اجاق مایکروویو بلک اند دکر شما برای گرم کردن نوشیدنی ها و مواد غذایی مناسب با استفاده از تابش الکترومغناطیسی طراحی شده است.

پیش از اقدام به پخت مواد غذایی، همیشه از مناسب بودن آنها برای قرار گیری در اجاق مایکروویو اطمینان حاصل کنید.

از بکار بردن این دستگاه برای هر گونه مصارف دیگر پرهیز کنید. این وسیله تنها جهت مصارف داخلی منزل طراحی شده است.

دستورالعمل های ایمنی

این دستورالعمل های ایمنی مهم را با دقت مطالعه کرده و برای مراجعات بعدی در جایی مناسب نگهداری کنید.

- به هنگام کار با وسایل برقی، موارد پیشگیرانه ایمنی پایه، از جمله موارد زیر، را باید همواره در نظر داشت تا خطر بروز آتش سوزی، شوک الکتریکی، صدمات فردی و همچنین خرابی دستگاه کاهش یابد.

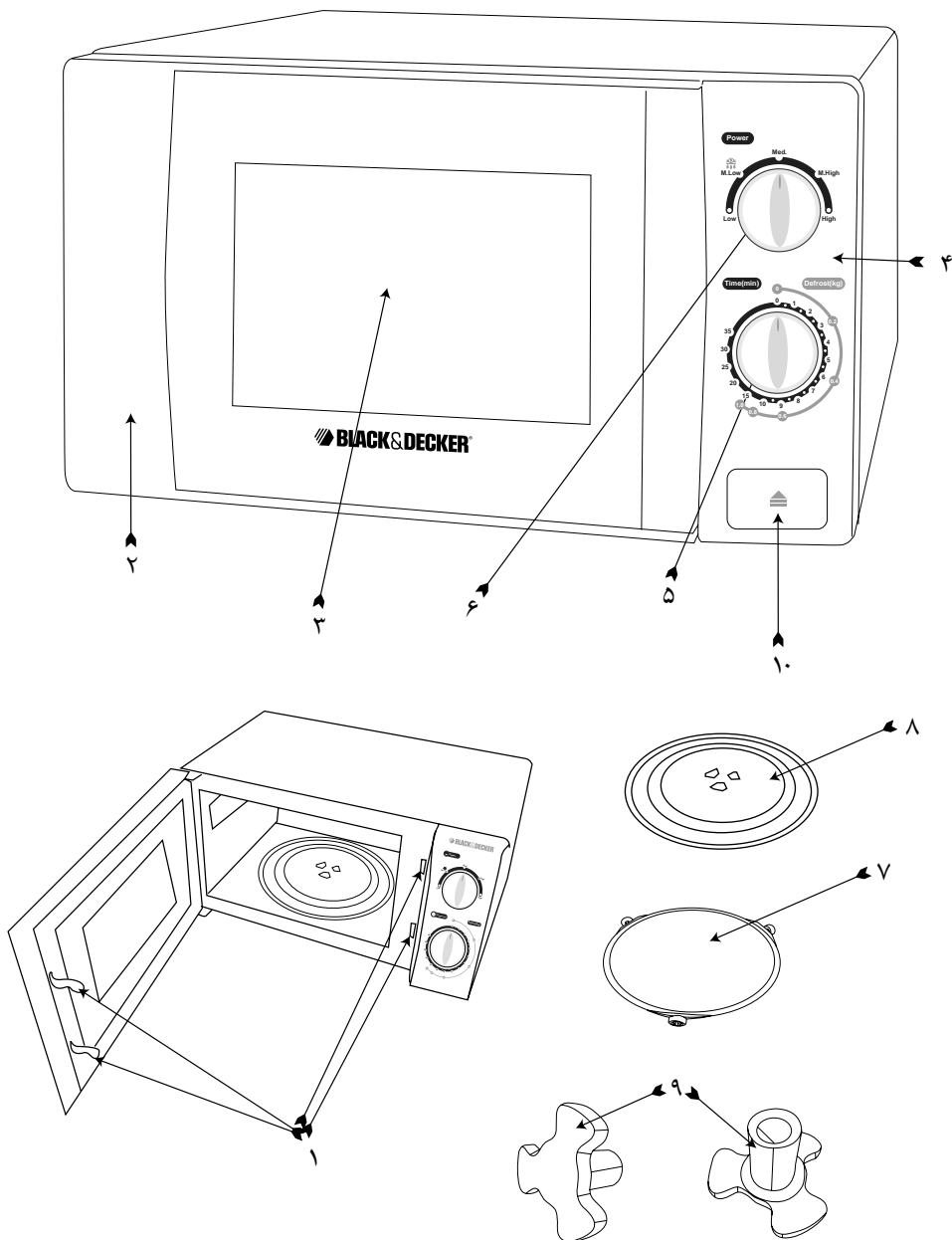
توجه: در صورت معیوب بودن درب یا درزگیرهای درب دستگاه، باید از بکار بردن اجاق مایکروویو پرهیز کرده و آنرا برای تعمیر به یک تعمیرکار متخصص سپرد.

توجه: انجام هر گونه تعمیر یا سرویس که مستلزم باز کردن بدنه دستگاه (که از ما در برابر تشعشعات مایکروویو محافظت می کند) می باشد خطرناک بوده و باید فقط توسط تعمیر کاران متخصص در این زمینه انجام شود.

توجه: مایعات یا مواد غذایی را نباید در ظروف در بسته حرارت داد زیرا ممکن است منفجر شوند.

توجه: هرگز به کودکان اجازه ندهید تا بدون نظارت مستقیم شما از دستگاه استفاده کنند. کودکان تنها باید هنگامی اجازه استفاده از دستگاه را پیدا کنند که در زمینه نحوه استفاده از دستگاه و خطرهای مرتبط با عدم استفاده صحیح از آن اطلاعات کافی کسب کرده و بتوانند دستگاه را بگونه ای ایمن مورد استفاده قرار دهند.

شكل الف



حماية البيئة



يجب عدم التخلص من هذا المنتج مع بقية النفايات المنزلية.

إذا وجدت في يوم من الأيام أنك بحاجة لشراء جهاز بلاك أند ديكر جديد، أو لم تعد بحاجة للجهاز القديم، لا تتخلص منه مع النفايات المنزلية الأخرى. جهز هذا المنتج للإستلام المنفصل.



الإستلام المنفصل للمنتجات المستعملة ومواد التغليف يسمح بإعادة تصنيع المواد واستعمالها من جديد. إستعمال المواد المعاد تصنيعها يساعد على منع التلوث البيئي ويقلل الطلب على المواد الأولية.

الأنظمة المحلية قد تنص على ضرورة الإستلام المنفصل للمنتجات الكهربائية من المنازل، في مواقع البلدية للنفايات أو بواسطة بائع التجزئة عندما تشتري منتجاً جديداً.

توفر بلاك أند ديكر التسهيلات لاستلام وإعادة تصنيع منتجات بلاك أند ديكر عندما تصل إلى نهاية حياتها العملية. للإستفادة من هذه الخدمة، يرجى إعادة جهازك إلى أي وكيل تصليح معتمد والذي سيقوم باستلامه بالنيابة عنا. يمكنك معرفة موقع أقرب وكيل تصليح معتمد بالنسبة لك بمراجعة مكتب بلاك أند ديكر المحلي على العنوان المبين في هذا الكتيب. تتوفر قائمة بأسماء وكلاء التصليح المعتمدين من بلاك وديكر، كما تتوفر تفاصيل كاملة عن خدمات ما بعد البيع وعناوين الاتصال على شبكة الإنترنت

نت : www.2helpU.com

ضمان شامل لمدة سنتين لأجهزة BLACK & DECKER المنزلية

تمنح Black & Decker ضماناً شاملاً مدته سنتين لهذا المنتج اعتباراً من تاريخ الشراء. يغطي الضمان عيوب التصنيع أو المواد الداخلة في التصنيع. وفي حالة إصابة المنتج بأي عطل أثناء فترة الضمان، سنتقوم شركة بإصلاحه أو (وفقاً لتقدير Black & Decker) استبداله مجاناً.

لا يغطي الضمان الأعطال الناتجة عن الحوادث، سوء الاستعمال، الإهمال، الاستعمال الخاطئ، أو عدم اتباع النظم المعمول بها محلياً. كذلك، لا تطبق شروط الضمان إذا تمت صيانة أو تصليح المنتج لدى طرف غير معتمد من قبل شركة Black & Decker و في حالة اسخدام قطع غيار بدون الرجوع إلى الشركة أو الحصول على موافقتها، وتسببت هذه القطع في العطل. وإذا توقف إنتاج أي طراز مع عدم وجود البديل المناسب، فإن لشركة Black & Decker حق اختيار إصلاح المنتج أو استبداله بطراز آخر بنفس القيمة الشرائية.

عند الشراء

املاً بطاقة تسجيل الضمان مع التأكد من وجود الختم الأصلي للتاجر المعتمد (وتوضيح تاريخ الشراء) ثم ارفق إيصال الشراء بالبطاقة. الرجاء الاحتفاظ بهما لإبرازهما في حالة وجود مطالبات في المستقبل.

عملية المطالبة

خذ المنتج المعطل مع بطاقة الضمان وإيصال الشراء بنفسك إلى مركز الصيانة المحلي أو يمكنك إرساله بالبريد المدفوعة أجرته سلفاً. وفي حالة إرسال الجهاز بالبريد أو الشحن، تأكد من تفرغ المنتج من الماء كلياً وقم بتغليفه جيداً في صندوق كرتوني مقوى مع إضافة مواد تغليف لملء الفراغات لتفادي إصابته بأي ضرر. ارفق ملاحظة تصف فيها المشكلة لمركز الصيانة وتأكد من كتابة عنوانك.

صمم للاستعمالات المنزلية فقط.

الليمونة داخل الميكروويف، ومن ثم تشغيل الميكروويف لمدة ٥ دقائق ثم
تجفيف التجويف بقطعة قماش مبللة ومنظف خفيف ومن ثم تجفيفه

التداخل مع موجات الراديو

قد يتداخل عمل الميكروويف مع التشغيل العادي للراديو أو التلفزيون أو
الأجهزة المشابهة. وفي حالة وقوع هذا التداخل، ينبغي اتباع الخطوات
التالية:

- تنظيف الباب والسطح الذي يغلّق الميكروويف.
- وضع الراديو أو التلفزيون والأجهزة المشابهة في أبعد مكان ممكن
عن الميكروويف.
- التأكد أن الهوائي المثبت في الراديو أو التلفزيون مثبت على النحو
الصحيح ويستقبل إشارة قوية.
- تثبيت قابس الميكروويف في مقبس مختل

وينبغي تنظيف الدعامة الدوارة وتجويف الميكروويف دورياً، حيث ينبغي
تنظيف التجويف بقطعة قماش مبللة ومنظف خفيف ومن ثم تجفيفه
بالكامل. وينبغي غسل حلقة البكرة الدوارة بالماء المضاف إليه الصابون
أو في غسالة الأطباق.

ملاحظة: بغية الحيلولة دون تلف أجزاء التشغيل داخل الفرن، ينبغي
عدم السماح بدخول المياه إلى فتحات التهوية.

لا تستخدم المنظفات أو المواد الكاشطة أو المنظفات التي ترش لتنظيف
لوحة التحكم.

لا تدع البلب يطل لوحه التحكم.

يتعين عدم استخدام المنظفات أو المواد الكاشطة مطلقاً.

ويمكن التخلص من الروائح الموجودة داخل الفرن من خلال وضع

سلطانية عميقة بها كوب ماء مضافاً إليه عصير ليمونة واحدة وقشرة

لبيانات الفنية	
MZ2000P	
التصنيف	: ٢٤٠ فولت، ٥٠ هرتز، ١٢٥٠ وات
خرج طاقة الميكروويف	: ٧٠٠ وات
تردد التشغيل	: ٢,٤٥٠ ميغا هرتز
الأبعاد الخارجية	: ٢٥٨ × ٣٤٠ × ٤٤٠ (الطول × السمك × العرض بالمليمتر)
أبعاد تجويف الفرن	: ٢٠٩,٢ × ٢٩١,٦ × ٣٠٦ (الطول × السمك × العرض بالمليمتر)
سعة الفرن	: ٢٠ لتراً
وزن الوحدة	: ١٠ كغم

الاستخدام الشكل ج

وإذا أردت إيقاف الفرن أثناء عمله، قم بإعادة المؤقت إلى "0" (وضعية إيقاف التشغيل)

وإذا أردت فك تجميد الأطعمة المثلجة، تأكد أولاً من وزنها ومن ثم قم بتحريك بكرة مستوى الطاقة (٦) لاختيار "منخفضة متوسطة"، وتبدأ دورة فك التجميد بمجرد تحريك المؤقت.

قم بتحريك بكرة التحكم في المؤقت/ فك التجميد حسب الوزن (٥) على حسب وزن الطعام المراد طهيته، وينبغي التأكد دائماً من اكتمال فك تجميد الطعام قبل البدء في طهيته.

أوقات التشغيل وطرق الإعداد

اتبع الإرشادات الموضحة على عبوة الطعام.

التشغيل وإيقاف التشغيل

يبدأ الميكروويف في العمل متى تم تحريك المؤقت/ فك التجميد حسب الوزن (٥) ولإيقاف الميكروويف أثناء عمله، قم بإعادة المؤقت إلى "0" (وضعية إيقاف التشغيل)

التنظيف والصيانة

ينبغي تنظيف الفرن دورياً وإزالة أية مخلفات طعام أو رواسب. وقد يؤدي عدم الحفاظ على الفرن في حالة نظيفة إلى تدهور حالة السطح مما قد يؤثر سلباً على عمر الجهاز ويحتمل أن يشكل خطراً. ويلزم إيقاف تشغيل الفرن وفصل التيار الكهربائي عنه قبل تنظيفه.

وينبغي تنظيف سطح الفرن الخارجي ولوحة التحكم باستخدام قطعة قماش مبللة. ويلزم عند تنظيف أسطح الباب أو قفل الباب أو تجويف الفرن عدم استخدام إلبا الصابون أو المنظفات الخفيفة غير الكاشطة وذلك باستخدام اسفنجة أو قطعة قماش ناعمة. ويمكن غسل الصينية الزجاجية بماء دافئ مضاف إليه صابون أو في غسالة الأطباق ومن ثم تجفيفها بقطعة قماش نظيفة.

ضع الطعام المراد طهيته في حاوية مناسبة واضغط على زر فتح الباب (١٠) لفتح باب الفرن ومن ثم ضع الحاوية على الصينية الزجاجية (٨). وقم بإغلاق الباب (٢) وتحريك بكرة التحكم في مستوى الطاقة (٦) لاختيار مستوى الطاقة المطلوب.

وإيارات مستوى الطاقة المتاحة هي:

١	١٧%
٢	٢٣%
٣	٥٥%
٤	٧٧%
٥	١٠٠%

قم بتحريك بكرة التحكم في المؤقت/ فك التجميد حسب الوزن (٥) لاختيار وقت الطهي المطلوب. وإذا كان وقت الطهي أقل من ٥ دقائق، قم بلف المؤقت لما بعد خمس دقائق ثم حركه عكس عقارب الساعة حتى تصل إلى الوقت الفعلي المطلوب. ومتى تم الانتهاء من الطهي، سيصدر عن الجهاز صوتاً مسموعاً ومن ثم عليك فتح الباب وإخراج الطعام. واحرص دائماً على استخدام قفازات الطهي عند إخراج الطعام من الفرن.

وفي حالة فتح الباب أثناء الطهي، يتوقف الميكروويف تلقائياً عن العمل. وتُستأنف عملية الطهي بعد إعادة إغلاق الباب. وإذا كان وقت الطهي المتبقي غير ضروري لطهي الطعام، قم بتحريك المؤقت إلى "0" (وضعية إيقاف التشغيل) قبل إغلاق الباب للحيلولة دون تشغيل الفرن وهو خالي، إذ أن تشغيل الفرن وهو خالي قد يؤدي إلى إلتافه.

بعد الاستخدام

قم بإيقاف تشغيل الجهاز ونزع القابس من مأخذ الكهرباء عند عدم استخدام الجهاز أو قبل تجميع أي من أجزائه أو فكها أو تنظيفها أو صيانتها. ولا تحاول مطلقاً شد السلك أثناء فك القابس من مأخذ الكهرباء.

يلزم إبقاء الأطفال والحيوانات بعيداً عن الوحدة والسلك.

الفحص والإصلاح

إذا كان السلك أو قابس الكهرباء الرئيسي تالفاً فيجب استبداله من قبل الشركة المصنعة أو فني الصيانة التابع لها أو شخص على نفس درجة التأهيل لتجنب المخاطر.

السلامة الكهربائية

يلزم استخدام سلك تأريض عند استخدام هذا المنتج



وينبغي دائماً التأكد من توافق مصدر الكهرباء مع الفولتية

المبينة على لوحة التصنيف.

يلزم أن يتوافق القابس مع المقبس ولا تحاول إطلاقاً تعديل القابس.

ويلزم عدم استخدام قابس مهايئ مع المنتجات التي بها تأريض (الفئة

١) . يحد استخدام القوابس غير المعدلة والمقابس المتوافقة من خطر

التعرض لصدمة كهربائية.

لا تتم مطلقاً بتشغيل أي جهاز عندما يكون أسفل المقبس الموصول به.

لا تدخل أي جسم في فتحات الغطاء الخارجي للجهاز.

أسلاك التوصيل ومنتجات الفئة ١

• يتعين استخدام سلك رئيسي ثلاثي لأن هذا الجهاز من الأجهزة التي بها تأريض ومن منتجات الفئة ١.

• يمكن استخدام سلك توصيل يطل طوله إلى ٣٠ سم (١٠٠ قدم) دون حدوث أي فقدان للطاقة.

• إذا كان سلك الكهرباء تالفاً، يلزم استبداله من قبل الشركة

المصنعة أو من أي مركز صيانة معتمد تابع لبلدك أند ديكر

لتجنب أية مخاطر.

الشكالات (شكل أ)

١ قفل أمان الباب

٢ الباب

٣ نافذة

٤ لوحة التحكم

٥ بكرة التحكم في المؤقت / فك التجميد حسب الوزن

٦ بكرة التحكم في مستوى الطاقة

٧ الدعامة الدوارة

٨ الصينية الزجاجية

٩ قصبه

١٠ زر فتح الباب

إفراغ المحتويات

• فك التغليف من على الجهاز.

• تضحص الجهاز بعد فك تغليفه لاكتشاف أية تلفيات مثل عدم كون

الباب في مكانه الصحيح أو تلفه أو وجود تبعج أو فتحات في

نافذة الباب أو الشاشة أو أي تبعج في تجويف الجهاز. إذا

لاحظت أي تلف من التلفيات السابقة، لا تستخدم الجهاز.

• نطف الجهاز قبل استخدامه لأول مرة.

التجميع (الشكل ب)

تحذيراً! تأكد قبل تجميع الجهاز من أن الجهاز في وضعية إيقاف

التشغيل ومفصول عن التيار الكهربائي.

• ضع الجهاز على سطح مسطح ومستو.

• افتح الباب (٢) وضع القصبه (٩) في الفتحة الموجودة في

قاعدة تجويف الفرن. ويفتح باب الفرن بالضغط على زر فتح

الباب (١٠).

• قم بتركيب الدعامة الدوارة (٧) في الفتحة الموجودة في

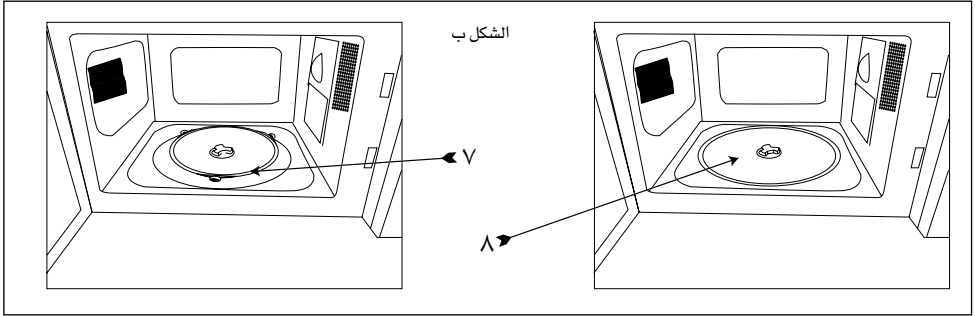
التجويف.

• ضع الصينية الزجاجية (٨) على الدعامة الدوارة.

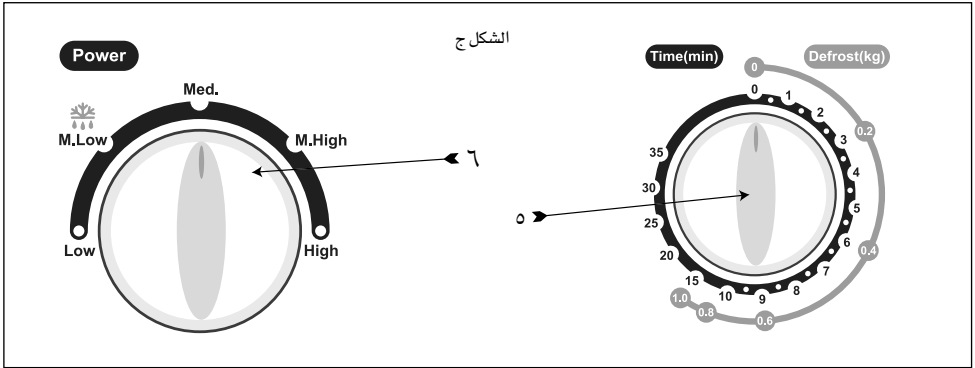
• صل الجهاز بمأخذ كهرباء مناسب.

- ينبغي وضع الميكروويف على سطح مسطح يقدر على تحمل وزن الميكروويف ووزن أثقل كمية طعام يمكن وضعها داخله.
 - لا تضع أي شيء فوق الميكروويف.
 - لا تستخدم الميكروويف إذا لم تكن الصينية الزجاجية أو الدعامة الدوارة في وضعها الصحيح.
 - تأكد من سلامة سلك الكهرباء ومن عدم تمديده أسفل الميكروويف أو على أي أسطح ساخنة أو حادة.
 - لا تشغيل الجهاز إذا كان فارغاً، فهذا قد يتسبب في تلفه.
 - لا تستخدم الجهاز لتخزين أية أغراض.
 - بالنسبة للطعام المحاط بغشاء مثل صفار البيض أو البطاطس أو كبد الدجاج، يتعين ثقب الغشاء باستخدام شوكة عدة مرات قبل طهي الطعام.
 - لا تستخدم الأواني أو الأطباق المعدنية المزودة بمقابض معدنية.
 - لا تضع أية أواني لها زخارف معدنية داخل الميكروويف.
 - تأكد دائماً من فك لفات الطعام قبل تشغيل الميكروويف.
 - بعض أنواع البلاستيك غير صالحة للاستخدام في الميكروويف، ولذا تحقق دائماً من مناسبة المادة قبل استخدامها.
 - لا تستخدم حاوية لها فتحة صغيرة في الطهي في الميكروويف لأنها قد تنفجر في حالة تسخينها في الميكروويف.
 - يتعين عدم وضع الترمومتر التقليدي المستخدم في قياس درجة حرارة اللحوم أو محلول السكر داخل الميكروويف، إذ ينبغي استخدام الترمومتر المصنع خصيصاً للميكروويف فقط.
 - ينبغي عدم استخدام أواني الميكروويف إلا وفقاً لإرشادات الشركة المصنعة.
 - لا تحاول استخدام الميكروويف في قلي الأطعمة بطريقة الغمر بالزيت أو السمّن.
 - يعمل الميكروويف على تسخين الطعام الموجود في الحاوية لا الحاوية نفسها، ولذا يلزم دائماً التحقق من درجة حرارة الطعام لضمان طهيها على النحو الصحيح.
 - احرص دائماً على قلب الطعام لتوزيع الحرارة بالتساوي واترك الطعام لبضعة دقائق قبل تناوله.
 - يمكن أن تسخن الحاويات المستخدمة في الطهي نتيجة لانتقال الحرارة من الطعام المسخن إليها، ولذا احرص دائماً على ارتداء قفازات أثناء إخراج الأواني من الفرن.
 - إذا تجمع البخار داخل الميكروويف أو حول باب الميكروويف من الخارج، امسحه بقطعة قماش ناعمة. وقد يحدث هذا عند تشغيل الميكروويف في ظروف رطوبة عالية ولا يعني بأي حال من الأحوال وجود خلل في الجهاز.
- سلامة الآخرين
- هذا الجهاز غير مصمم ليستخدمه الأشخاص ذوي القدرات الجسدية والذهنية والحسية والعقلية المتدنية والخبرة والمعرفة القليلتين (بما في ذلك الأطفال) إلا مع الإشراف عليهم أو إعطائهم التعليمات المتعلقة باستخدام الجهاز من قبل الشخص المسؤول عن سلامتهم.
 - يلزم الإشراف على الأطفال لضمان عدم عبثهم بالجهاز.
 - يلزم الإشراف الحذر في حالة استخدام الأطفال لأي جهاز أو تشغيل الجهاز بالقرب منهم.
 - لا تترك الجهاز مطلقاً دون متابعة أثناء الاستخدام.

- تعتبر هذا الميكروويف وحدة مستقلة ويتعين عدم إدماجه أو وضعه داخل كابينة.
- يتعين أن يصل إلى الفرن تيار هواء كافٍ لضمان تهوية جيدة، إذ يلزم توافر مساحة فارغة قدرها ١٠ سم خلف الجهاز و١٥ سم على أحد الجانبين و٣٠ سم على الجانب الآخر و٣٠ سم أعلى الفرن
- ينبغي عدم استخدام إلا الأواني المناسبة للاستخدام في أفران الميكروويف.
- عند تسخين طعام في حاويات بلاستيكية أو كرتونية، ينبغي ملاحظة الفرن نظراً لاحتمال حدوث اشتعال.
- إذا لوحظ تصاعد دخان، يلزم إيقاف تشغيل الفرن أو فصل الكهرباء عنه وإبقاء باب الفرن مغلقاً لإخماد أي لهب
- يحتمل أن يؤدي تسخين المشروبات في الميكروويف إلى تأخر الغليان المفاجئ، ولذا يتعين مراعاة الحذر عند التعامل مع حاويات المشروبات.
- يلزم خفق أو رج محتويات الرضاعات أو حاويات غذاء الأطفال والتحقق من درجة حرارتها قبل إعطائها للأطفال لتجنب احتراق الأطفال.
- ينبغي عدم تسخين البيض غير المششر أو الذي تم غليه حتى نضجت هشتره في الميكروويف لأنه قد ينفجر حتى بعد انتهاء التسخين في الميكروويف.
- ينبغي تنظيف الفرن دورياً وإزالة أية مخلفات طعام أو رواسب.
- قد يؤدي عدم الحفاظ على الفرن في حالة نظيفة إلى تدهور حالة السطح مما قد يؤثر سلباً على عمر الجهاز ويحتمل أن يشكل خطراً.
- بغية تجنب خطر التعرض لصدمة كهربائية، لا تغمر الجهاز أو السلك أو القابض في المياه أو غيرها من السوائل.
- لا تفك الأقدام التي يستند إليها الميكروويف.
- لا تقم بتهيء الطعام بوضعه على الصينية الزجاجية مباشرة، وتأكد دائماً من استخدام سلطانية أو غيرها من الحاويات المناسب استخدامها في الميكروويف.
- استخدام الجهاز
- ١ تشغل الجهاز في حالة تلف السلك أو القابض أو بعد ظهور أي خلل في وظائف الجهاز أو سقوطه أو تلفه بأي شكل من الأشكال، بل قم بإعادة الجهاز بالكامل إلى أقرب مركز صيانة معتمد لفحصه وإجراء أعمال الصيانة الكهربائية أو الميكانيكية لتجنب أي مخاطر.
- لا تحاول إصلاح الجهاز بنفسك، بل سلمه إلى أقرب مركز صيانة تابع لشركة بلاك آند ديكر أو معتمد منها.
- قد يؤدي استخدام ملحقات أو إكسسوارات غير التي توصي بها أو تباعها الشركة المصنعة لهذا الجهاز إلى نشوب حريق أو التعرض لصدمة كهربائية أو إصابة بشرية.
- احذر تعلق السلك على حواف المنضدة أو سطح العمل أو ملامسة الأسطح الساخنة.
- تجنب ملامسة الأسطح الساخنة واحرص على استخدام المقابض والماسكات.
- لا تستخدم أبداً من أجزاء هذا الجهاز أو تضعها قرب أي سطح ساخن أو عليه (مثل الموقد الذي يعمل بالغاز أو الكهرباء أو داخل فرن ساخن) أو أي جهاز ينبعث منه البخار.
- لا تسيء استخدام السلك، فلا تحاول مطلقاً حمل الجهاز باستخدام السلك أو تشده بقوة لفصله من المقبس بل امسك بالقابض واسحبه لفصل التيار الكهربائي.
- عند استخدامك سلك توصيل مع الجهاز، تأكد من توصيل السلك جيداً وقدرته على تحمل قدرة الجهاز.



الشكل ب



الشكل ج

تحذير: في حالة تلف باب الفرن أو قفل الباب، يتعين عدم استعمال الفرن حتى يتم إصلاحه على يد شخص مؤهل.

تحذير: من غير المأمون قيام أي شخص غير الفني المؤهل بأعمال صيانة أو إصلاح تتضمن فك الغطاء الذي يقي من التعرض لطاقة الموجات متناهية القصر.

تحذير: يتعين عدم تسخين السوائل والأطعمة في حاويات مغلقة لأنها قابلة للانفجار.

تحذير: لا يُسمح للأطفال باستخدام الفرن دون ملاحظة إنا بعد تزويدهم بالإرشادات الكافية التي تضمن قدرتهم على استخدام الفرن على نحو آمن واستيعابهم لمخاطر الاستخدام غير الصحيح.

الاستخدام المعتمد

لقد صممت بلاك أند ديربي فرن الميكروويف لتسخين أنواع المأكولات والمشروبات المناسبة باستخدام الأشعة الكهرومغناطيسية. ويلزم التأكد دائماً من ملائمة المكونات الغذائية للطعام قبل الطهي.

لا تستخدم هذا الجهاز في أغراض أخرى، فهذا الجهاز مصمم للاستخدام المنزلي فقط.

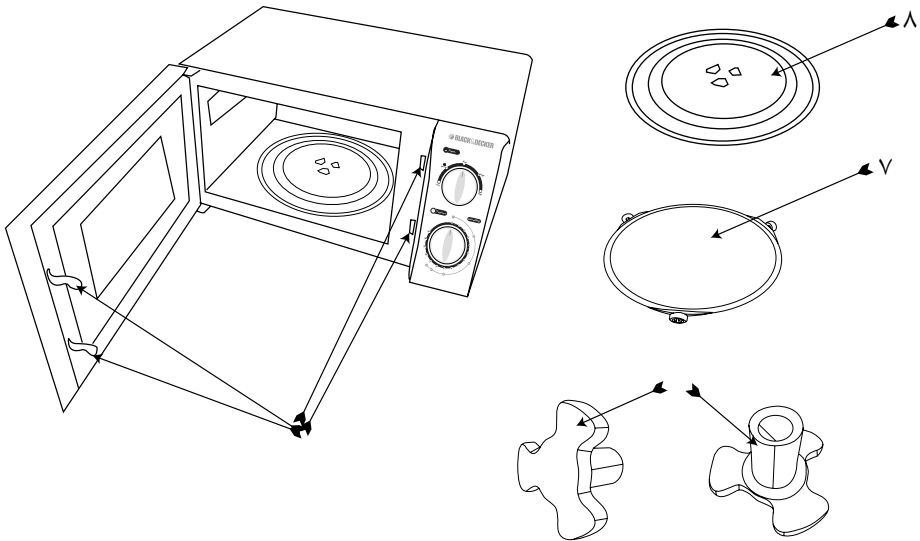
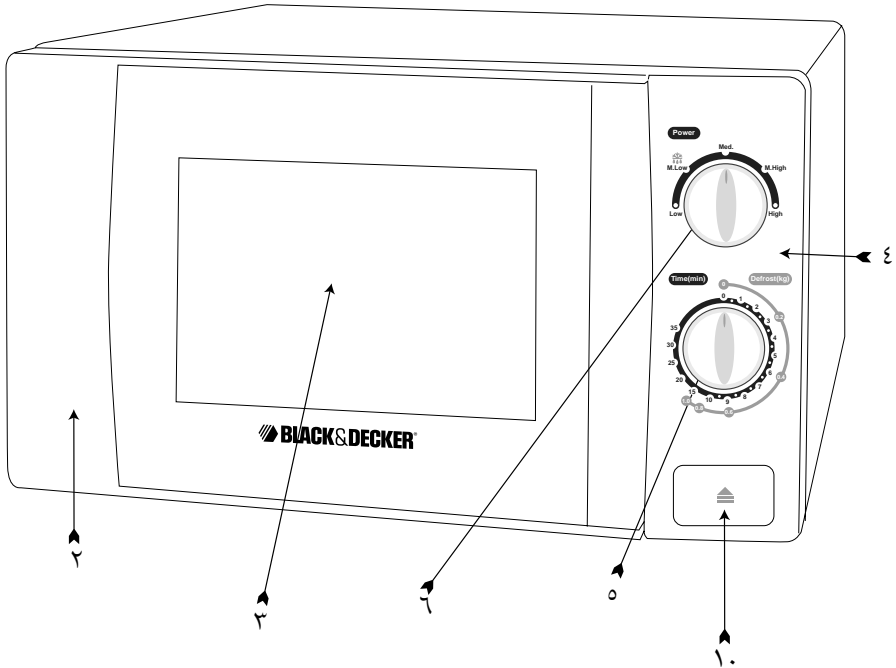
تعليمات السلامة

تعليمات سلامة هام

يرجى التمتع في قراءتها ولاحظها بها للرجوع إليها مستقبلاً.

- عند استخدام الأجهزة الكهربائية، يتعين دائماً مراعاة القواعد الأساسية للسلامة بما فيها المذكورة أدناه للحد من احتمالات نشوب حريق أو صدمة كهربائية أو إصابة بشرية.

شكل الف



Names & Addresses for Black & Decker Service Concessionaries

Afghanistan: Ishan National Co., Opp. Ministry of Justice, Kabul. Tel.: +93-2-2101727. **Algeria:** SARL Outillage Corporation, 04 Route De Dely Brahim Cheraga, Alger. Tel.: +213-21-364363/508, Fax: +213-21-369667. **Bahrain:** Fawaz Al Zayani, P.O.Box 26563, Adliya, Manama. Tel.: +973-17-715252/712756, Fax: +973-17-713789. **Bangladesh:** Ultra Corporation, 8, Kushol Centre, Uttara, Dhaka 1230. Tel.: +880-2-8919272/9756 Ext.28, Fax: +880-2-9887167. **Egypt:** Anasia Egypt for Trading S. A. E., P.O.Box 2443, 110 Mostafa Refaat Street, Sheraton Heliopolis 11361, Cairo. Tel.: +20-2-2684159, Fax: +20-2-2684169. **Ethiopia:** Tewfik Sherif & Co. Ltd., P.O.Box 5583, Debre Zeit Road, Addis Ababa. Tel.: +251-1-651700/601, Fax: +251-1-650570. **India:** Gryphon Impex Pvt. Ltd., D-6/4, Okhla Industrial Area, Phase-I, New Delhi-110020. Tel.: +91-11-26372602-4, Fax: +91-11-26372601. **Iran:** Tehran - Service Centre of Iran, No 510, South Karger Ave, Below Pasteur Sq, Tehran. Tel.: +98-21-6490608/0656/6407672. **Kish Island:** Cayhan Electric Co., No. 69, Paradise Shopping Centre, Kish Island. Tel.: +98-76444-22894. **Jordan:** Bashiti Hardware, P.O.Box 1564, TLA Ali, Amman. Tel.: +962-6-5350009/4770741, Fax: +962-6-5350012/4789783. **Kenya:** Zylgo Enterprises, IPS Building, Kuanda Street, P.O.Box 40877, Nairobi. Tel.: +254-2-338188/199, Fax: +254-2-330642. **Kuwait:** Al Omar Technical Co., P.O.Box 4062, 13041 Safat, Kuwait. Tel.: +965-4848595/0039, Fax: +965-4845652. **Lebanon:** Est. FA. Kettaneh SA, P.O.Box 110242, Dora Highway, Kettaneh Building, Beirut. Tel.: +961-1-255860/6, Fax: +961-1-255891. **Libya:** El Ghoul Brothers, P.O.Box 348, Islamic Call Bldg., Office 201-202, Benghazi. Tel.: +218-61-9097681/4183, Fax: +218-61-9094123. **Madagascar:** Group Tana Confort S. A. R. L., B. P. 1770, Antananarivo. Tel.: +261-20-2264505, Fax: +261-20-2264244. **Malta:** John G. Cassar Ltd., 36 Victory Str, Qormi QRM 06, Malta. Tel.: +356-21-493251, Fax: +356-21-483231. **Mauritius:** Happy World Marketing Ltd., Block 2, Industrial Estate, Coromandel, P.O.Box 429, Port Louis. Tel.: +230-2076700, Fax: +230-2337330/7400. **Nepal:** Universal Trading Centre, P.O.Box 1947, Tripureswor, Kathmandu. Tel.: +977-1-262192/260587/785, Fax: 261154. **Nigeria:** Amin Bros. Eng. Co. Ltd., 30A (Plot 1291), Akin Adesola Street, Victoria Island, Lagos. Tel.: +234-1-3201778, Fax: +234-1-2613667. **Oman:** Oman Mktg. & Service Co., P.O.Box 2734, Ruwi, Muscat. Tel.: +968-560232, Fax: +968-560255. **Pakistan:** Karachi - Ammar Service & Spares, 60, Bank Arcade, Serai Road, Karachi. Tel.: +92-21-2426905, Fax: 2427214/5243. **Pakistan:** Lahore - Electronics Inn, 212-G Raja Centre, Main Market, Gulberg, Lahore. Tel.: +92-42-5756750. **Philippines:** Modern House International Enterprises, 213 Rizal Ave. Extension, between 2nd and 3rd Ave. Kalookan City. Tel.: +632 366-4487, Fax: +632 366-4489. **Qatar:** Al Muftah Trading & Cont., P.O.Box 875, Doha. Tel.: +974-4650880/4446868, Fax: +974-4441415. **Saudi Arabia:** Dammam - Ebrahim Fawaz Al Zayani, P.O.Box 76026, Al Raka, Dammam. Tel.: +966-3-8140914, Fax: +966-3-8140824. **Jeddah:** Anasia Trading Co. Ltd. Caravan Shopping Centre, Hail Street. P. O. Box 50959, Jeddah-21477, Tel. 02 650 0948/02 636 3825, Fax 02 638 0720. **Madina:** Garzj Trdg. for Bldg. Mat.&Decor., P.O.Box 3364, Madina. Tel.: +966-4-8261490/8227636, Fax: +966-4-8265741. **Riyadh:** Anasia Trading Co Ltd. New Akaria Building, 60th St., 3rd Floor, Building # 4, Office # 3402, Malaz. P. O. Box. 18689, Riyadh-11425, Tel: 01 478 2549, Fax: 01 478 2761. **Yanbu:** Bin Afif, P.O.Box 530 Yanbu, Al Bahr. Tel.: +966-4-3222626/8867, Fax: +966-4-3222210. **Sri Lanka:** Delmege Equip. Pvt. Ltd., No. 428/1AT. B., Jaya Mawatha (Darley Road), Colombo-10. Tel.: +94-11-2665914, Fax: +94-11-2665915. **Sudan:** United Distribution Company, P.O.Box 325, Sayed Abdul Rehman Street, Khartoum. Tel.: +249-11-772612/777296, Fax: +249-11-770919. **Tanzania:** General Motors Investment, P. O Box 16541, 14 Vingunguti Nyerere Road, Dar Es Salaam. Tel.: +255-22-2862661/5022, Fax: +255-22-2862667/5412/3. **Tunisia:** STE Tunisienne De Quincallerie Stq., Nvelle Z.I.2013, Ben Arous, Tunis, Tunisia, Tel: +216 71386102, Fax: +216 71380412. **UAE:** Abu Dhabi - Light House Electric., P.O.Box 120, Abu Dhabi. Tel.: +971-2-6726131, Fax: +971-2-6720667. Dubai - Black & Decker (O) A.G., P.O.Box 5420, Dubai. Tel.: +971-4-7028234/233, Fax: +971-4-2822765. Ideal Mach. & Equipmt. R. W/shop P.O.Box 37116, Al Quoz, Dubai. Tel.: +971-4-3474160, Fax: +971-4-3474157. Sharjah - McCoy Middle East LLC, P.O.Box 20228, Sharjah. Tel.: +971-6-5336321, Fax: +971-6-5336320. **Uganda:** The Building Centre, Kitgum House, 52 Station Road, P.O.Box 7436, Kampala. Tel.: +256-41-234567, Fax: +256-41-236413. **Yemen:** Aden - Middle East Trad. Co. Ltd., Mulla Dakka, Aden. Tel.: +967-2-240950, Fax: +967-2-240952. **Sana'a:** Middle East Trad. Co. Ltd., P.O.Box 12363, Hayel Street, Sana'a. Tel.: +967-1-204201, Fax: +967-1-204204. **Taiz:** Middle East Trad. Co. Ltd., Campa area near Al-Kair mosque, Taiz. Tel.: +967-4-231610/232033, Fax: +967-4-219869. **Zimbabwe:** J.D.Distributors, P.O.Box 226, 17 Bessemer Road, Graniteside, Harare. Tel.: +263-4-753913-7, Fax: 753918. **Cyprus:** G. Kyprianou Trading Co Ltd., 51 Prodromou AVE. Strovolos, 1681, P.O. Box 23318 Nicosia Cyprus. Tel.: 00357 22 468170/1, Fax: 00357 22 468186, Email gkitttd@spidernet.com.cy



WARRANTY REGISTRATION CARD

YOUR NAME/الإسم _____

YOUR ADDRESS العنوان _____

POSTCODE الرمز البريدي _____

DATE OF PURCHASE تاريخ الشراء _____

DEALER'S NAME & ADDRESS/إسم وعنوان البائع _____

PRODUCT MODEL NO. MZ2000P