



Single Wall Oven

FGB24L2E C

24" Gas



Product Dimensions

| | |
|--------|----------|
| Height | 38-7/16" |
| Width | 23-7/8" |
| Depth | 25-3/8" |

More Easy-To-Use Features

GlideOut™ Broiler

Bright Oven Lighting

Our bright lighting makes it easy to see what's inside.

Timer Function

Manual-Clean Oven

Attractive Stainless Steel Exterior

Available in:



Stainless
(C)

Signature Features

Ready-Select™ Controls

Easily select options or control cooking temperature with our easy-to-use controls.

Large Capacity

Our large capacity oven gives you room to cook more at once.

Vari-Broil™ Option

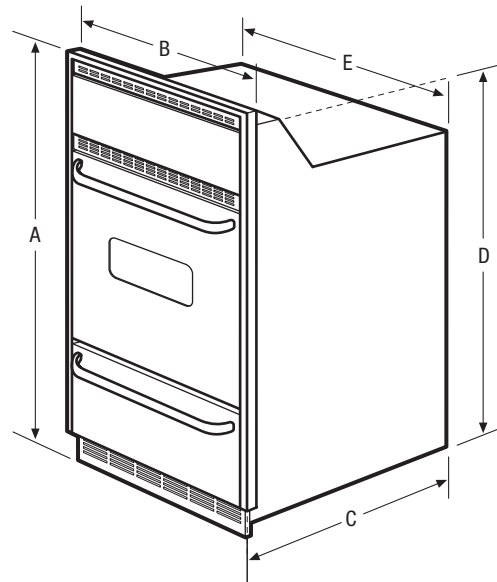
Allows you to choose between two heat levels.

Large Window

Our large oven window lets you easily see what's inside.

| Features | |
|---|----------------------------|
| Oven Control/Timing System | Ready-Select™ |
| Window | Large |
| Exterior Door Finish | Real Stainless Steel |
| Handle Design | Black |
| Oven Cleaning System | Manual Clean |
| Drawer Functionality | GlideOut™ Broiler |
| Oven Controls | |
| Bake/Broil | Yes/ Variable (Hi - Lo) |
| Convection Conversion | |
| Convection Bake/Broil/Roast | |
| Quick Bake Convection | |
| PowerPlus™/Quick Preheat | |
| My Favorite | |
| Chicken Nugget Button | |
| Pizza Button | |
| Keep Warm | |
| Add-a-Minute | |
| Delay Bake | |
| Self-Clean | |
| Rapid/Quick Clean Option | |
| Delay Clean | |
| Kitchen Timer | Yes |
| Timed Cook Option | |
| Control Lock | |
| Auto Oven Shutoff | |
| Oven Lock-Out | |
| Oven Features | |
| Capacity (Cu. Ft.) | 3.2 |
| Convection System | |
| Oven Light | 1 |
| Hidden Bake Element | |
| Rack Configuration | 2 Racks |
| Baking System | Regular |
| Broiling System | Vari-Broil™ |
| Bake/Broil Element (BTU) | 16,000/16,000 |
| Certifications | |
| A.D.A. Compliant | |
| Sabbath Mode (Star-K® Certified) | |
| Specifications | |
| Oven Interior (H x W x D) | 16" x 18-1/2" x 18-1/2" |
| Power Supply Connection Location | Right Bottom Rear |
| Gas Supply Connection Location | Right Bottom Rear |
| Voltage Rating | 120V / 60Hz |
| Connected Load (kW Rating) @ 120 Volts ¹ | .001/.001 |
| Amps @ 120 Volts | 5.0 / 5.0 |
| Minimum Circuit Required (Amps) | 15 |
| Approved for Under-Counter Installation | |
| Shipping Weight (Approx.) | 150 Lbs. |

¹For use on adequately wired 120V, dedicated circuit having 2-wire service with a separate ground wire. Appliance must be grounded for safe operation.



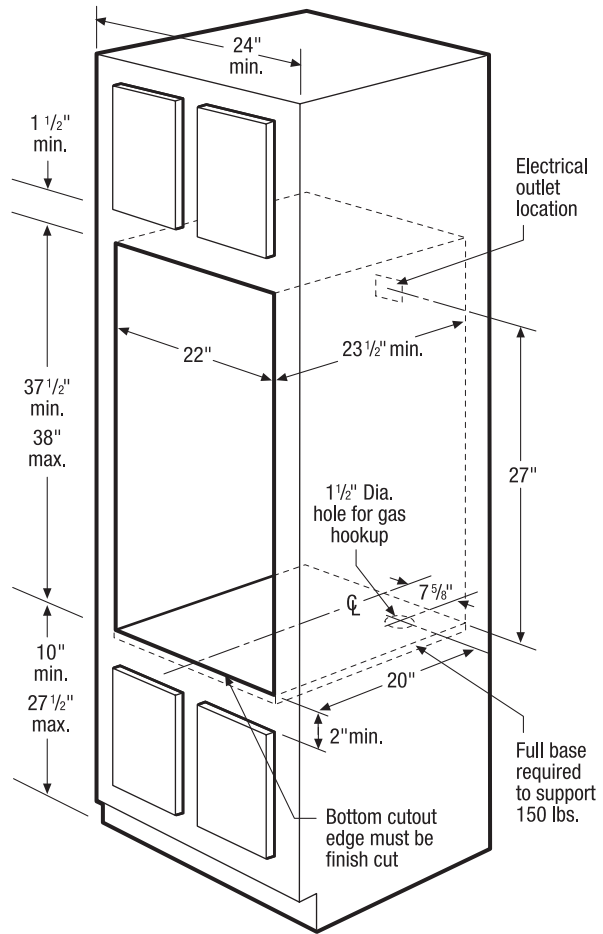
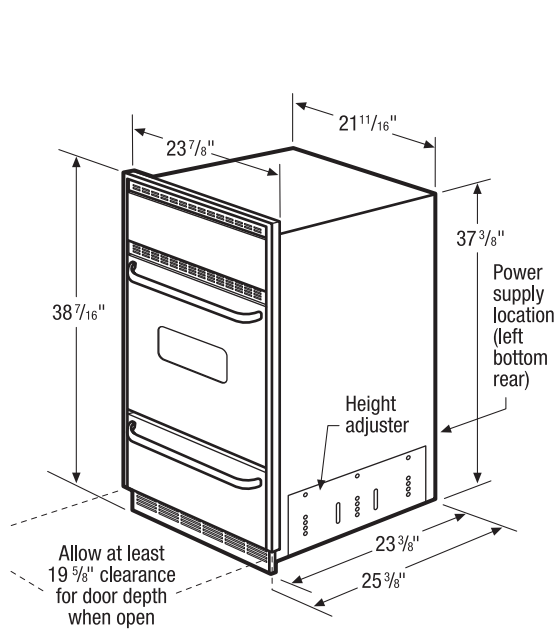
NOTE: For planning purposes only. Always consult local and national electric and gas codes. Refer to Product Installation Guide for detailed installation instructions on the web at frigidaire.com.



| Product Dimensions | |
|--------------------------|-----------|
| A - Height | 38-7/16" |
| B - Width | 23-7/8" |
| C - Depth | 25-3/8" |
| D - Height (Wrapper) | 37-3/8" |
| E - Width (Wrapper) | 21-11/16" |
| Depth with Door Open 90° | 43" |

| Cutout Dimensions | |
|-------------------|---------|
| Height (Min.) | 37-1/2" |
| Height (Max.) | 39" |
| Width (Min.) | 22" |
| Depth (Min.) | 23-1/2" |

Accessories information available on the web at frigidaire.com



Alternate Installations

Oven can also be installed into an existing two-cavity oven cutout opening measuring 42 1/8" H x 22 1/2" W. To accommodate opening for smaller oven, filler strips need to be installed vertically on each side of opening along with two standard 2 x 4s (22" minimum length), installed upright on each side beneath oven's side rails, flush with cabinet front. Two height adjusters, located on bottom sides of oven wrapper, must also be lowered to raise oven by 1". Oven's bottom trim will then overlap cabinet face 1/4" min. to hide opening at bottom.

To accommodate existing 37 1/2" to 39" cutout height, oven's height adjusters can be lowered to raise oven by 1" in addition to bottom trim's 1/2" overhang allowing for a 1 1/2" total height adjustment.

Single Wall Oven Specifications

- Product Shipping Weight (approx.) - 150 Lbs.
- Voltage Rating - 120V/60 Hz/15 Amps
- Connected Load (kW Rating) @ 120 Volts = .60kW (For use on adequately wired 120V, dedicated circuit having 2-wire service with a separate ground wire. Appliance must be grounded for safe operation.)
- Amps @ 120V = 5 Amps
- Always consult local and national electric and gas codes.
- Oven ships with 3/4" factory regulator.
- LP Gas convertible.
- Do not obstruct flow of combustion air at oven vent nor around base or beneath lower front panel of appliance. Oven requires fresh air for proper burner combustion.
- Minimum 19-3/8" clearance for oven door depth when open.
- Full oven base of solid plywood or similar material required, capable of supporting 150 Lbs.
- Base must be level and cabinet front must be square.
- Single Wall Oven is NOT approved to be used in side-by-side installation.
- Single Wall Oven is NOT approved to be used alone in under-counter installation or in combination with any Frigidaire® Warmer Drawer or Built-In Microwave Oven.

Alternate Installations

- Oven can also be installed into an existing two-cavity oven cutout opening measuring 42-1/8" H x 22-1/2" W. To accommodate opening for smaller oven, filler strips need to be installed vertically on each side of opening along with two standard 2 x 4s (22" minimum length), installed upright on each side beneath oven's side rails, flush with cabinet front. Two height adjusters, located on bottom sides of oven wrapper, must also be lowered to raise oven by 1". Oven's bottom trim will then overlap cabinet face 1/4" minimum to hide opening at bottom.
- To accommodate existing 37-1/2" to 39" cutout height, oven's height adjusters must be lowered to raise oven by 1" in addition to bottom trim's 1/2" overhang allowing for a 1-1/2" total height adjustment.

Note: For planning purposes only. Refer to Product Installation Guide on the web at frigidaire.com for detailed instructions.

FRIGIDAIRE

USA • 10200 David Taylor Drive • Charlotte, NC 28262 • 1-800-FRIGIDAIRE • frigidaire.com
 CANADA • 5855 Terry Fox Way • Mississauga, ON L5V 3E4 • 1-800-265-8352 • frigidaire.ca
 FGB24L2E 10/10

Accessories information available on the web at frigidaire.com



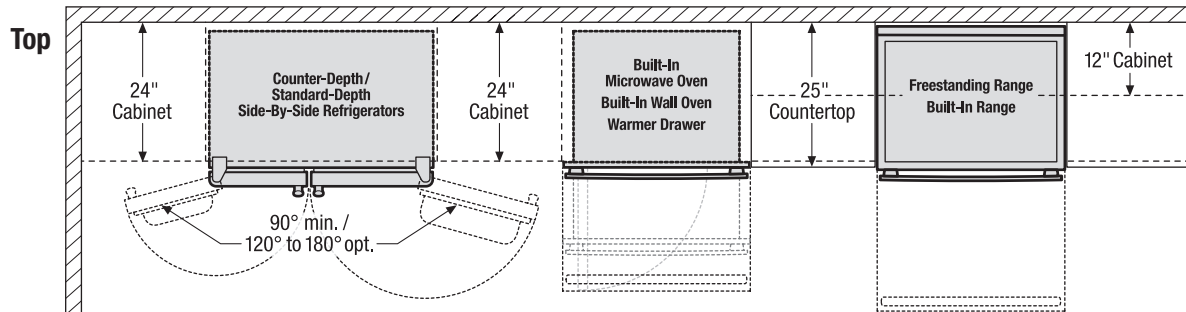
Specifications subject to change.

Use these dimensions and clearance instructions for planning purposes only. For detailed installation instructions, refer to installation guide, packed with product, or on the web at frigidaire.com.



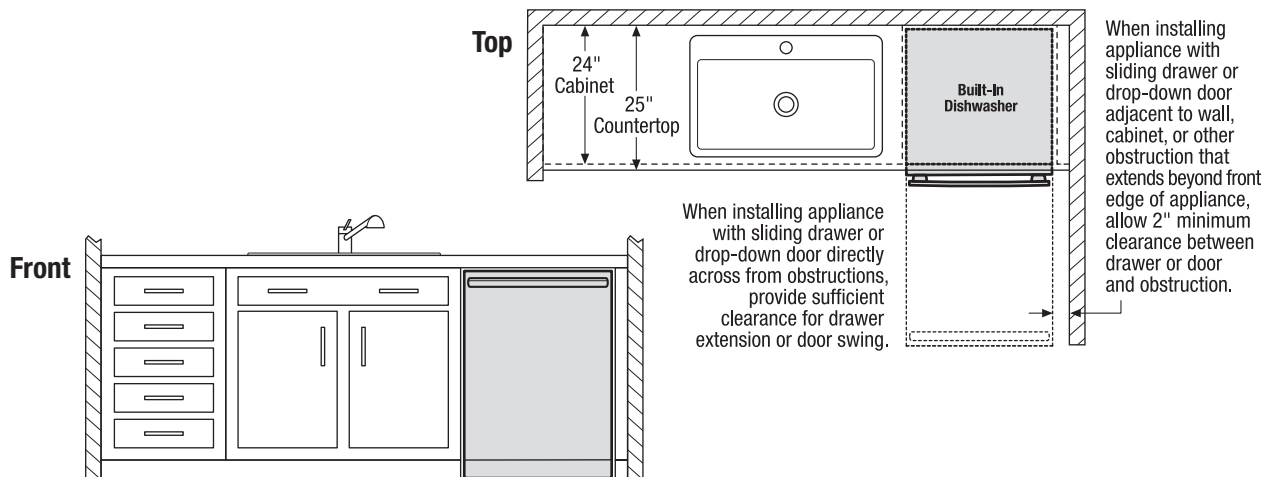
When installing appliances adjacent to each other, 20" minimum distance between each appliance required.

When installing built-in cooking appliances in combination, 2" minimum visible gap between appliance faceplates required.



When installing side-by-side refrigerator adjacent to wall, cabinet or another appliance that extends beyond front edge of unit, 20" minimum clearance recommended to allow for optimum 120° to 180° door swing, providing complete drawer/crisper access and removal.

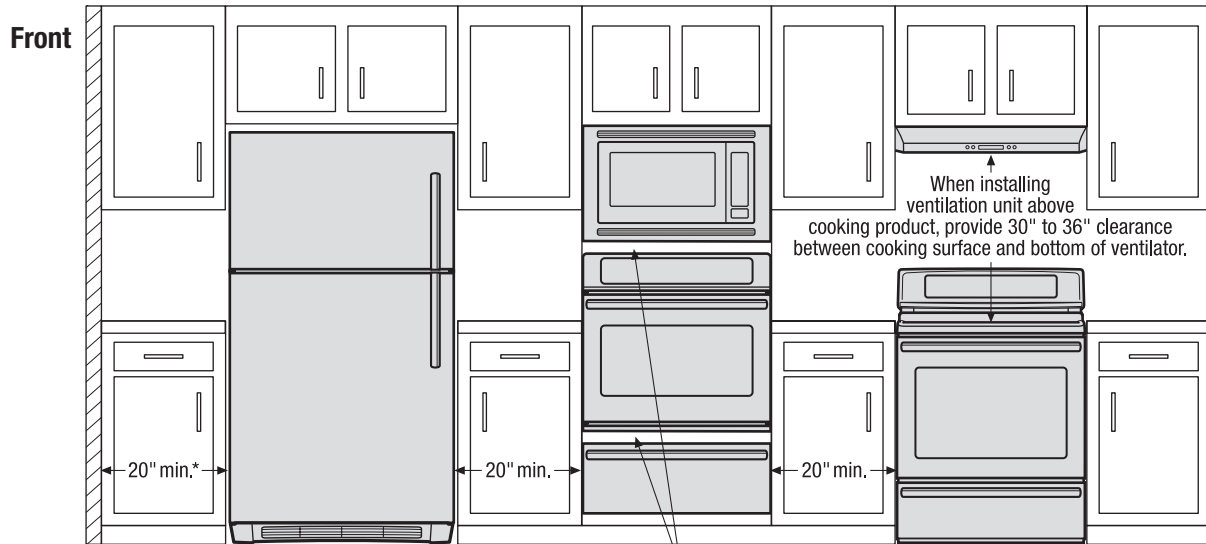
When installing appliance with sliding drawer, swinging or drop-down door directly across from obstructions, provide sufficient clearance for drawer extension or door swings.



When installing appliance with sliding drawer or drop-down door directly across from obstructions, provide sufficient clearance for drawer extension or door swing.

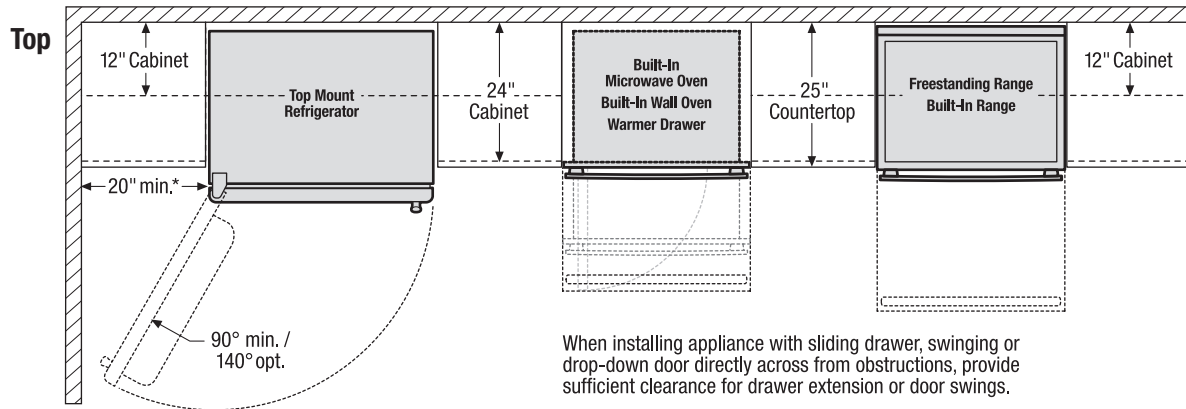
When installing appliance with sliding drawer or drop-down door adjacent to wall, cabinet, or other obstruction that extends beyond front edge of appliance, allow 2" minimum clearance between drawer or door and obstruction.

Use these dimensions and clearance instructions for planning purposes only. For detailed installation instructions, refer to installation guide, packed with product, or on the web at frigidaire.com.



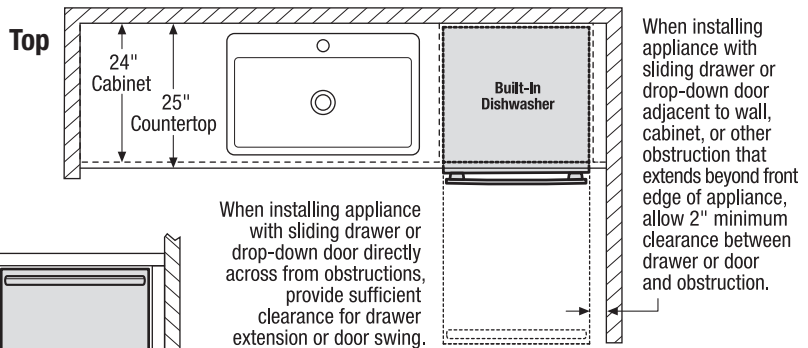
When installing appliances adjacent to each other, 20" minimum distance between each appliance required.

When installing built-in cooking appliances in combination, 2" minimum visible gap between appliance faceplates required.



When installing appliance with sliding drawer, swinging or drop-down door directly across from obstructions, provide sufficient clearance for drawer extension or door swings.

*When installing refrigerator adjacent to wall, cabinet or other appliance that extends beyond front edge of unit, 20" minimum clearance recommended to allow for optimum 140° door swing, providing complete crisper access and removal. (Absolute 3" minimum clearance will ONLY allow for 90° door swing which will provide limited crisper access with restricted removal.)



When installing appliance with sliding drawer or drop-down door directly across from obstructions, provide sufficient clearance for drawer extension or door swing.

