

PYRAMID[®]

Gold Series

OWNER'S MANUAL

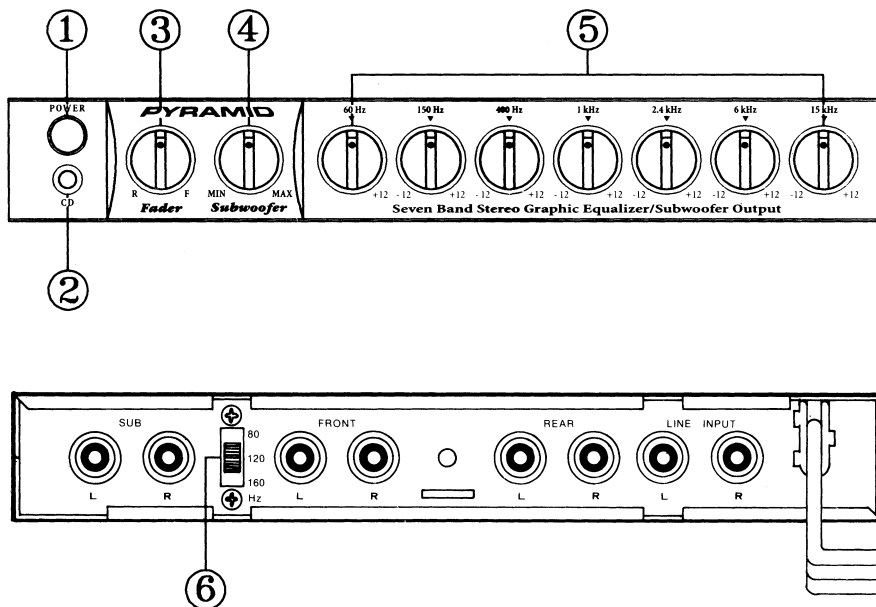


MODEL: SE703EX • SE703WX
STEREO 7-BAND
4-CHANNEL EQUALIZER
PRE-AMPLIFIER

FEATURES

- * 7-BAND ROTARY EQUALIZER CONTROL
- * FRONT/REAR FADER CONTROL
- * SUBWOOFER OUTPUT LEVEL CONTROL
- * CD INPUT JACK
- * NIGHT ILLUMINATION
- * POWER ON/OFF SWITCH
- * HIGH/LOW IMPEDANCE INPUT
- * SUBWOOFER FREQUENCY CROSSOVER SELECTOR
- * RCA OUTPUT

CONTROLS:



- | | |
|------------------------|---------------------------------|
| 1. POWER ON/OFF SWITCH | 4. SUBWOOFER LEVEL CONTROL |
| 2. CD INPUT JACK | 5. EQUALIZER CONTROL |
| 3. FADER CONTROL | 6. CROSSOVER FREQUENCY SELECTOR |

OPERATION

1. POWER SWITCH

Pressing the power switch in to activates the equalizer. The LED on the equalizer slide controls will illuminate to indicated the power to equalizer is on.

2. COMPACT DISC INPUT JACK (3.5mm)

Connect your portable CD player to the CD input JACK on the front panel by a stereo path cord with a stereo mini plug at both ends. Turn on your CD player and then turn on the equalizer.

3. FADER CONTROL

A) DUAL AMPLIFIER 4-SPEAKER SYSTEM

Rotating the knob to the FRONT side brings up the level of the FRONT speakers.

Rotating to the REAR side brings up the level of the REAR speakers. At mid position, both sets of speakers are at maximum level.

B) 2-SPEAKER SYSTEM

The fader control knob should be turned to the end position which provides the loudest sound for using both sets of speakers.

4. SUBWOOFER LEVEL CONTROL

Allows adjustment of appropriate subwoofer sound level for a farticular tape or broadcast source.

5. 7-BAND EQUALIZER ROTARY CONTROLS

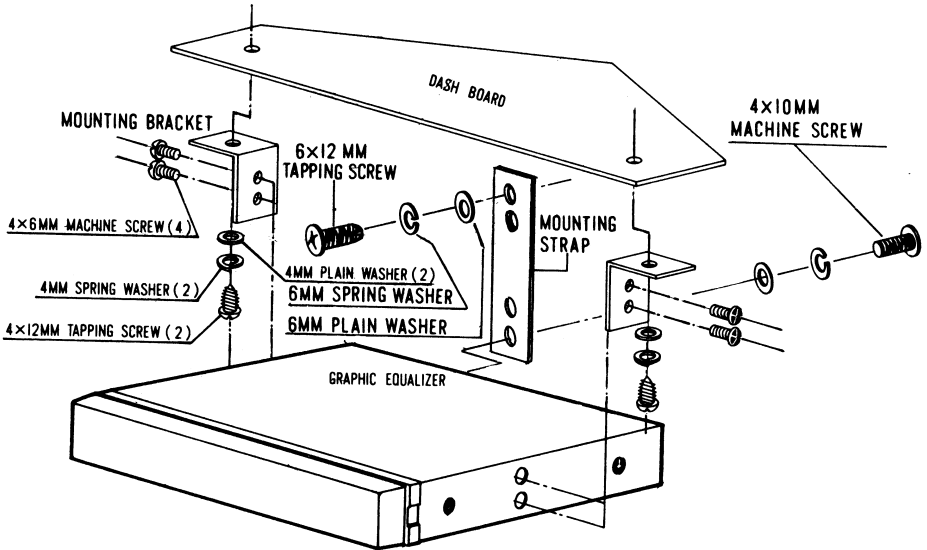
Give you control of the basic musical frequency ranges. The controls provide an instant visual representation of the shape you give the sound.

6. SUBWOOFER FREQUENCY CROSSOVER

The three position switch on the rear side of the unit adjusts the crossover point for your subwoofer system. The SE703 features seperate dual RCA outputs for the subwoofer channel so that the subwoofers can run on a seperate amplifier or seperate channels of a multi-channel amplifier.

The crossover switch is adjustable to either 80, 120 or 160Hz. Depending on your subwoofer frequency response adjust this switch to the proper setting.

INSTALLATION:



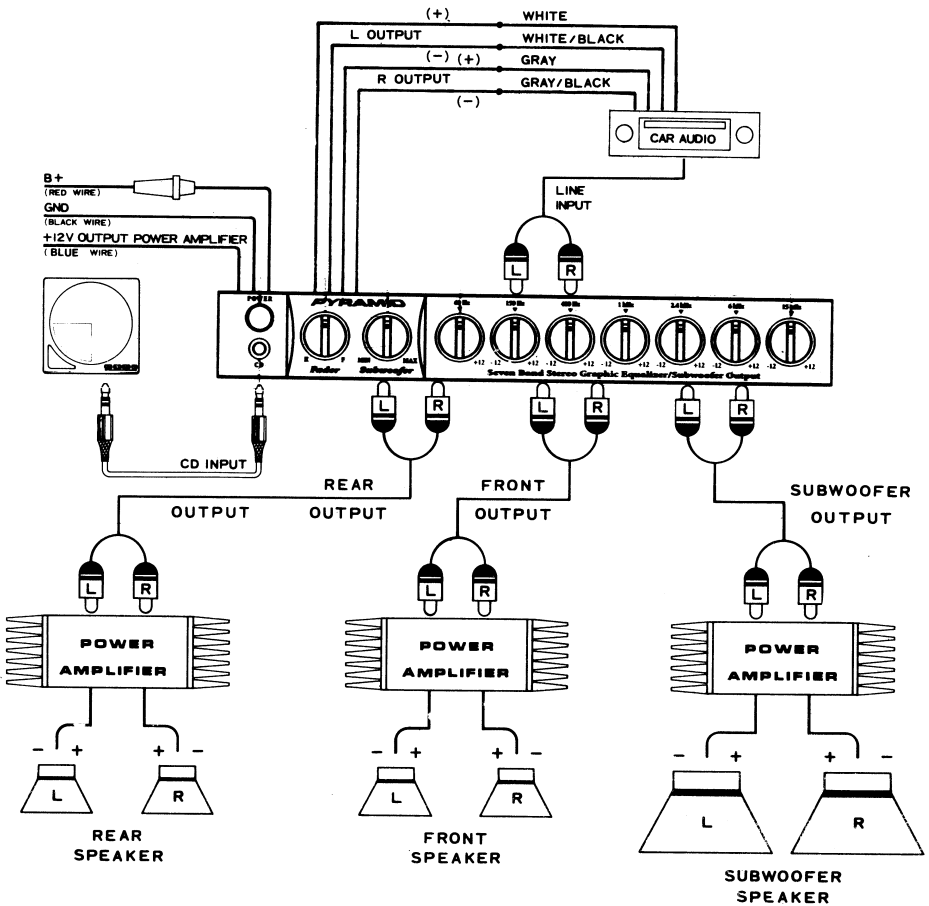
ELECTRICAL CONNECTIONS

There are two types of inputs that the SE703 accepts.

1. Low Level High Impedance RCA Jacks.
2. High Level Low Impedance Speaker Line Inputs.

If your radio has RCA Jack Outputs use these to input the signal into the SE703 RCA inputs.

If your autosound system has only speaker output wires and does not have line-out jacks, use wire twist connectors to make these connections.



SPECIFICATIONS:

Center Frequencies	60 Hz, 150 Hz, 400 Hz, 1 kHz, 2.4kHz, 6 kHz, 15 kHz
Frequency Response	20-20,000 Hz (at ± 3 dB, 400 mV)
Input Level, Front/Rear (for 400 mV Output)	
High Impedance	400 mV
CD	400 mV
Low Impedance	2.5 V
Input Level, Subwoofer (for 400 mV Output)	
High Impedance	200 mV
CD	200 mV
Low Impedance	1.25 V
Total Harmonic Distortion	Less than 0.1% (at 400 mV Output)
Output Impedance	1.2 kOhm
Signal-to-Noise Ratio	85 dB
Separation	60 dB
Control Range	± 12 dB
Subwoofer Cut Off Frequencies (at -3dB, 12 dB/Oct)	80 Hz, 120 Hz, 160 Hz
Current Drain	250 mA Maximum
Power Supply Voltage	DC, 12-Volt Negative Ground
Dimensions (HWD)	25 \times 178 \times 160 mm, (1 \times 7 \times 6 $\frac{1}{4}$ inches)
Weight	600 g (1 lb, 5 oz)

CARE AND MAINTENANCE

Your Pyramid Stereo 7-Band Graphic/Equalizer is an example of superior design and craftsmanship. The following suggestions will help you care for your equalizer/booster so you can enjoy it for years.



Keep the graphic/equalizer dry. If it does get wet, wipe it dry immediately. Liquids contain minerals that can corrode electronic circuits.



Use and store the graphic/equalizer only in normal temperature environments. Temperature extremes can shorten the life of electronic devices and distort or melt plastic parts.



Handle the graphic/equalizer gently and carefully. Dropping it can damage the circuit boards and can cause it to work improperly.



Keep the graphic/equalizer away from dust and dirt, which can cause premature wear of parts.



Wipe the graphic/equalizer with a damp cloth occasionally to keep it looking new. Do not use harsh chemicals, cleaning solvents, or strong detergents to clean the graphic/equalizer.

