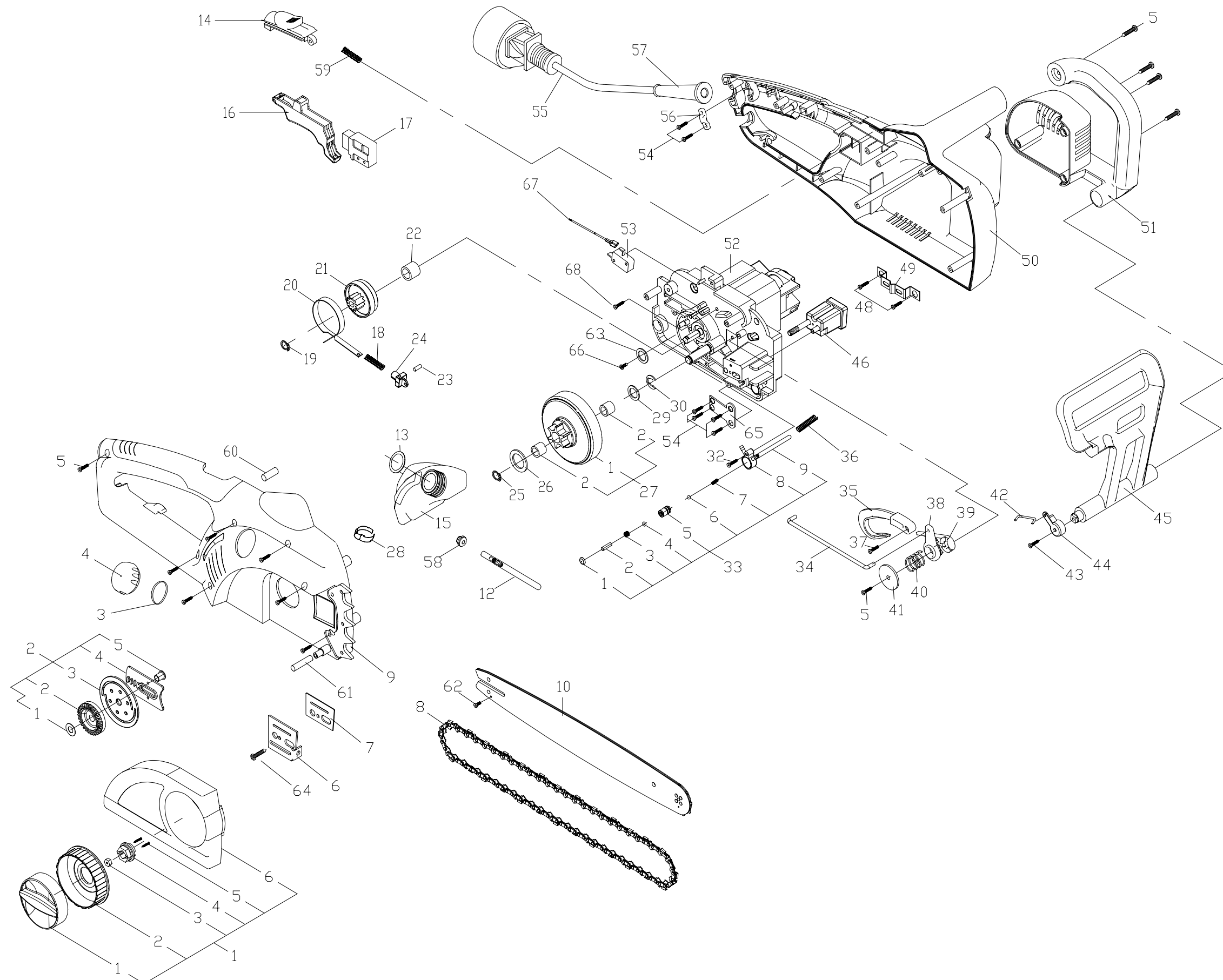


SERVICE SPARE PARTS LIST

| | | | | |
|---------------------------------------|------------------------|-----------|--------------|------|
| SPECIFY MODEL NO. WHEN ORDERING PARTS | | DATE | REVISED DATE | PAGE |
| 16" Gas Chain Saw | | 7/29/2004 | N/A | 1/2 |
| MODEL NO. | TB3516NT / 41AZ356P766 | | | |





SERVICE SPARE PARTS LIST

| SPECIFY MODEL NO. WHEN ORDERING PARTS | | | | | | DATE | | REVISED DATE | |
|---------------------------------------|----------|-------------------------------|---------------------------|----------|-----------|------------------|------------------------|-----------------------------|----------|
| 16" Electric Chain Saw | | | | | | 7/29/2004 | | N/A | |
| MODEL NO. | | TB3516NT / 41AZ356P766 | | | | | | | |
| No. | STK CODE | Parts No. | Description | Q | No. | STK CODE | Parts No. | Description | Q |
| 1 | | MC-6228-211403 | HOUSING (R) | 1 | 36 | | MC-6024-211507 | SPRING | 1 |
| 2 | | MC-6228-211504 | CHAIN COVER ASS'Y | 1 | 37 | | MC-6QABB04-20 | SCREW | 1 |
| 3 | | MC-6012-210501 | WASHER | 1 | 38 | | MC-6181-211501 | CLUTH | 1 |
| 4 | | MC-6017-210103 | OIL COVER | 1 | 39 | | MC-6181-211502 | CLUTH | 1 |
| 5 | | MC-6SDABB04-18 | SCREW | 13 | 40 | | MC-6024-211503 | SPRING | 1 |
| 6 | | MC-6043-211302 | ADJUSTMENT PLATE | 1 | 41 | | MC-6014-211501 | WASHER | 1 |
| 7 | | MC-6050-211301 | OIL WASHER | 1 | 42 | | MC-6154-211301 | CONNECTING BAR | 1 |
| 8 | | MC-6220-210201 | CHAIN | 1 | 43 | | MC-6SDABB4.5-30 | SCREW | 1 |
| 9 | | MC-6038-211505 | HOUSING (R) | 1 | 44 | | MC-6154-211504 | CONNECTOR | 1 |
| 10 | | MC-9040-310175 | BAR | 1 | 45 | | MC-6017-211503 | FRONT-HAND GUARD | 1 |
| 12 | | MC-6228-211506 | OIL PIPE ASS'Y | 1 | 46 | | MC-6228-211303 | FIXED ACC'Y | 1 |
| 13 | | MC-6076-210503 | WASHER | 1 | 48 | | MC-6SDABB04-16 | SCREW | 2 |
| 14 | | MC-6056-211502 | SWITCH BUTTON | 1 | 49 | | MC-6079-211503 | SPRING | 1 |
| 15 | | MC-6066-211501 | OIL TENK | 1 | 50 | | MC-6038-211506 | HOUSING (L) | 1 |
| 16 | | MC-6028-211502 | TRIGGER | 1 | 51 | | MC-6086-211501 | REAL COVER | 1 |
| 17 | | MC-6022-211502 | SWITCH | 1 | 52 | | MC-6228-211301 | MOTOR GEAR BOX ASS'Y | 1 |
| 18 | | MC-6024-211301 | SPRING | 1 | 53 | | MC-6022-211501 | SWITCH | 1 |
| 19 | | MC-6CY-08 | RING | 1 | 54 | | MC-6SDABB04-10 | SCREW | 7 |
| 20 | | MC-6079-211501 | SPRING, BRAKE | 1 | 55 | | MC-6011-211502 | POWER CORD | 1 |
| 21 | | MC-6073-211501 | GEAR | 1 | 56 | | MC-6043-840001 | STRAIN RELIEF | 1 |
| 22 | | MC-6059-210201 | ADJUSTMENT COVER | 1 | 57 | | MC-6059-855001 | CORD GUARD | 1 |
| 23 | | MC-6115-211502 | PIN | 1 | 58 | | MC-6012-211501 | RUBBER STOP | 1 |
| 24 | | MC-6154-211502 | CONNECTION | 1 | 59 | | MC-6024-211506 | SPRING | 1 |
| 25 | | MC-6CG-9.5 | C RING | 1 | 60 | | MC-6PC05-14.7 | PIN | 1 |
| 26 | | MC-6014-210502 | WASHER | 1 | 61 | | MC-6PC4.4-35 | PIN | 1 |
| 27 | | MC-6228-210104 | GEAR BEARING ASS'Y | 1 | 62 | | MC-6SQAB-04-06 | SCREW | 1 |
| 28 | | MC-6077-211501 | COVER | 1 | 63 | | MC-6WFB-03-12 | WASHER | 1 |
| 29 | | MC-6057-210102 | WASHER | 1 | 64 | | MC-6SDABB03-15 | SCREW | 1 |
| 30 | | MC-6CC-10 | C RING | 1 | 65 | | MC-6158-211502 | PLATE | 1 |
| 32 | | MC-6SDABB03-18 | SCREW | 1 | 66 | | MC-6SLABB03-06 | SCREW | 2 |
| 33 | | MC-6228-210105 | OIL PUMP ASS'Y | 1 | 67 | | MC-6010-211301 | WIRE | 1 |
| 34 | | MC-6188-211501 | PULL BAR | 1 | 68 | | MC-6SDABB04-14 | SCREW | 3 |
| 35 | | MC-6114-211501 | PULL PLATE | 1 | | | | | |

Stocking Codes are:

A - Dealer stocked

B - Distributor stocked

C - Factory stocked