

580 SERIES SAUCE DISPENSERS

PORTION-ALL®



Model 580-N
(Shown with optional dispensing bottle.)

Prince Castle Sauce Dispensers are perfect for portion control of heavy sauces such as tartar, mayonnaise, sour cream and guacamole. With a click of the trigger, a portion-controlled amount of sauce is dispensed—no spooning, no mess, and no fuss!

The cartridge bottles, made of polyethylene plastic, keep the sauce covered and free from contamination. Accessories are available for storage and handling the sauce dispensers.

NOTE: Bottles sold separately. Each bottle holds 26 ounces.

STANDARD FEATURES

- Precise portion control for heavy sauces.
- Four models available to dispense 1/3 oz. (9.44 grams) to 1 oz. (28.34 grams).
- Great for heavy sauces like tartar, mayonnaise, sour cream, and guacamole.
- Optional accessories add versatility.

OPTIONS

Part No.	Description
136-1	Dispenser bottles (case of 9)—reusable
136-19	Dispenser holder
136-1R	Dispenser bottles, Red (case of)—reusable
586-17	Plastic cartridge cooler—keeps condiments cold while dispenser is in use.
155	Bottle storage tray

580 SERIES SAUCE DISPENSERS

PRINCE CASTLE INC. 
WORLDWIDE

SPECIFICATIONS

DIMENSIONS

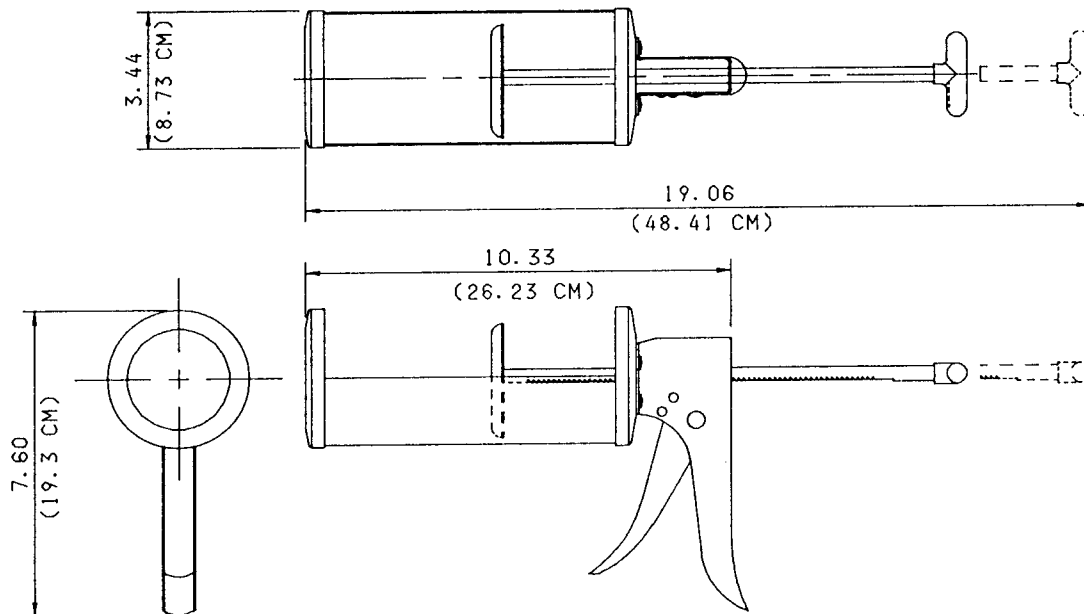
MODEL NUMBER	LENGTH IN. (CM)	HEIGHT IN. (CM)	WIDTH IN. (CM)	SHIPPING WT. LB. (KG.)
580	19 ³ / ₅₀ (48.41)	7 ³ / ₅ (19.3)	3 ²² / ₅₀ (8.73)	3 (1.4)

ORDERING INFORMATION

MODEL	DESCRIPTION
580-N	Sauce Dispenser – 1/3 ounce (9.44 grams) Red Handle
581-N	Sauce Dispenser – 1/2 ounce (14.17 grams) White Handle
582-N	Sauce Dispenser – 2/3 ounce (18.88 grams) Black Handle
583-N	Sauce Dispenser – 1 ounce (28.34 grams) Green Handle

ACCESSORIES

MODEL	DESCRIPTION
136-1	Bottles (case of 9)
155	Bottle Tray (1 per pkg.)
136-19	Dispenser Holder (1 per pkg.)
136-41	Diffusers (10 per pkg.)
136-35	Retainers (10 per pkg.)
136-38S	Pistons (20 per pkg.)
136-36	Spout Cap (10 per pkg.)



*Designs and specifications are subject to change without notice.

