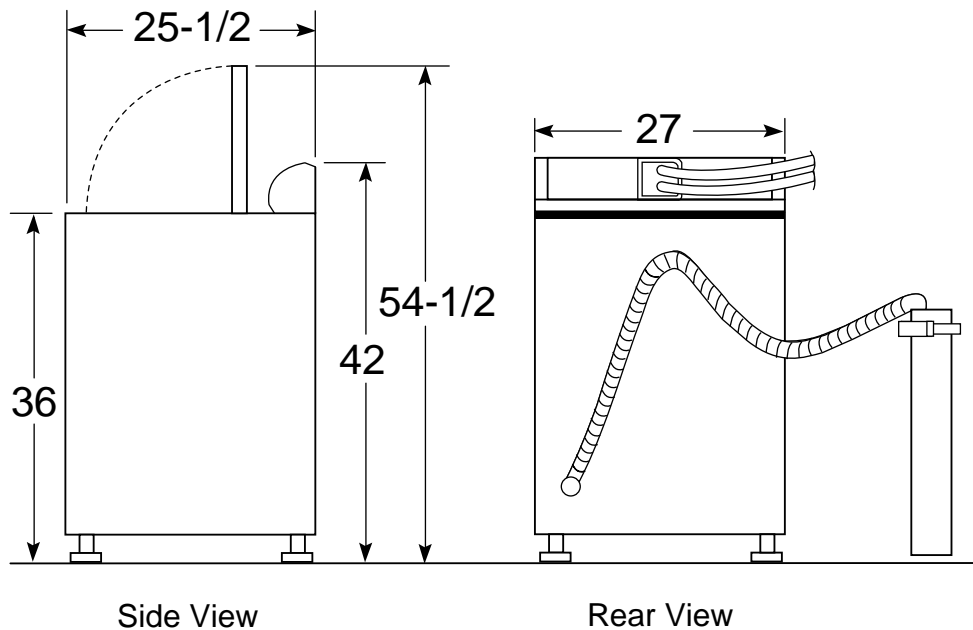


# HOTPOINT

## VBSR2080WWW- Hotpoint 3.2 Cu. Ft. Super Capacity Washer

### Washer Dimensions (in inches)



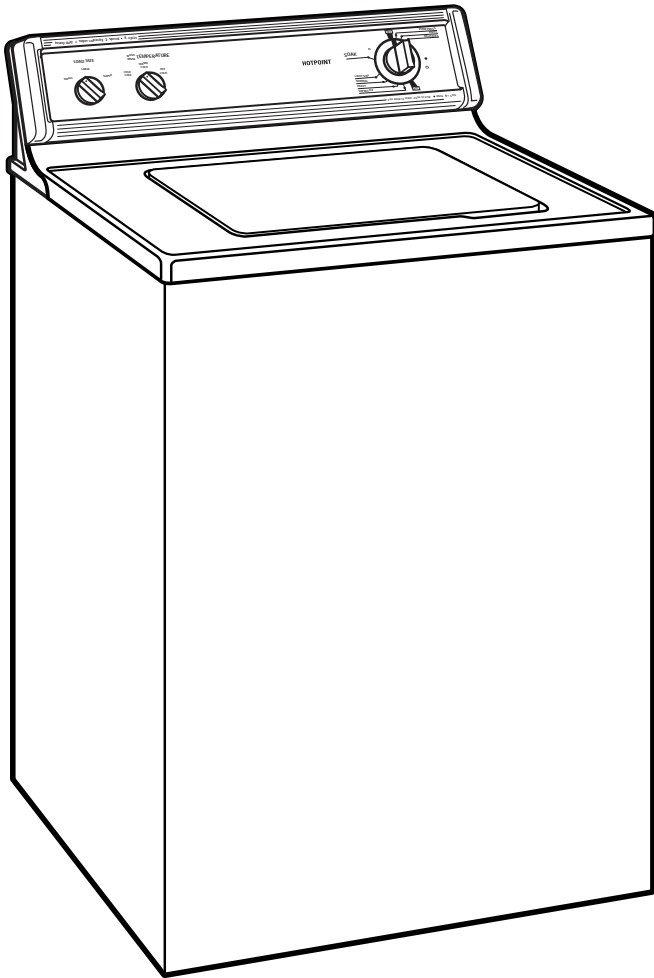
**Circuit Requirements:** An individual, properly-grounded branch circuit, with a three-prong grounding-type receptacle, protected by a 15 or 20 amp circuit breaker or a time-delay fuse, is required.

**Electrical Rating:** 120V, 60Hz, 15 Amps

**Installation Information:** Before installing, consult installation instructions packed with product for current dimensional data.

# HOTPOINT

## VBSR2080WWW- Hotpoint 3.2 Cu. Ft. Super Capacity Washer



### Features and Benefits

- Super 32 (3.2 Cu. Ft.) Capacity
- 2 Wash/Spin Speed Combinations
- 3 Wash/Rinse Temperature Selections
- 3 Water Levels
- 8 Cycles: Heavy Soil, Medium Soil, Light Soil, Auto Soak, Delicates, Permanent Press, Knits and PowerWash
- Bleach Dispenser
- Fabric Softener Dispenser
- Rear Lid Opening
- Self-Cleaning Filter
- TufTub™ Basket
- Front Serviceable
- Model VBSR2080WWW–White on White
- Model VBSR2080WAA–Almond on Almond