

# MCGRAW-EDISON®



## GR GALLERIA ROUND

150 - 1000W

Metal Halide

Pulse Start Metal Halide

High Pressure Sodium

ARCHITECTURAL  
AREA LUMINAIRE



In all flat glass configurations.

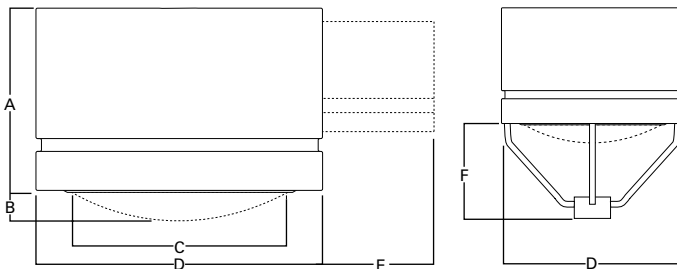
- Roll-formed aluminum housing with stamped reveal has interior-welded seams for structural integrity and is finished in premium TGIC polyester powder coat
- Ballast tray is hard-mounted to housing interior for easy access and cooler operation
- Long-life ballast core and coil
- Spun and stamped aluminum reflector in vertical lamp units, or hydroformed anodized aluminum reflector in horizontal lamp units. Rotatable optics standard
- Formed aluminum door for arm-mount fixture has retaining springs, while spider-mount unit has a heavy-duty hinge and captive retaining screws
- Flat or convex tempered glass lens
- U.L. listed for wet locations. CSA certified
- Approximate net weight: 86 lbs. (40 kgs.)

### DESCRIPTION

The Galleria Round combines beauty and versatility to make it the optimum choice in today's energy- and design-conscious environment. An aesthetic reveal in the roll-formed aluminum housing carries on the Galleria family look while a variety of mounting options and lamp wattages provide maximum flexibility.



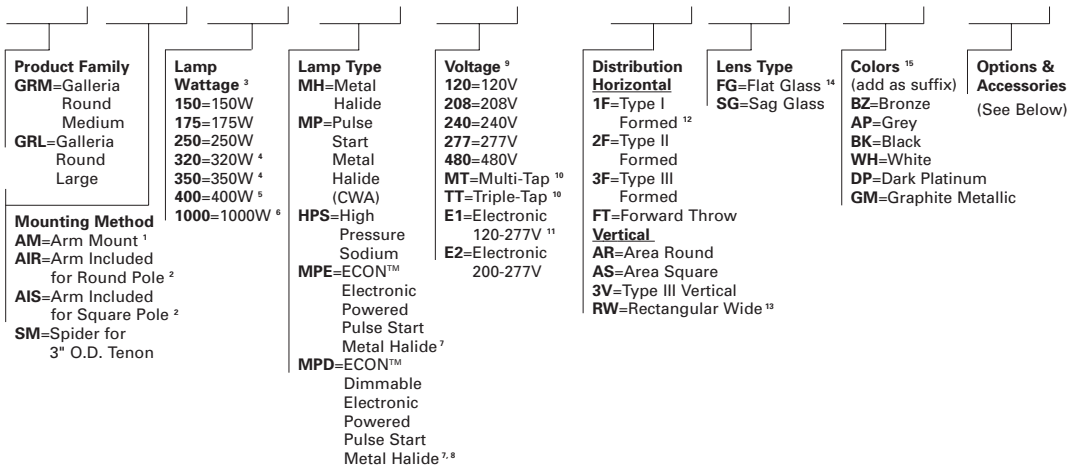
### DIMENSIONS



Fixture	A	B	C	D	E	F
GRM 150-1000W	18 1/4" [464mm]	3 1/2" [89mm]	19 3/4" [502mm]	24 1/2" [676mm]	6" or 14" [152mm] or [356mm]	16" [406mm]
GRL 1000W	19 3/4" [502mm]	4 1/2" [108mm]	25 5/8" [651mm]	32 15/16" [837mm]	6" or 14" [152mm] or [356mm]	19 3/4" [502mm]

### ORDERING INFORMATION

SAMPLE NUMBER: GRM-AM-250-MH-120-FT-FG-DP-L



E.P.A. Single Medium Fixture (without arm): 1.7 / Single Large Fixture (without arm): 2.5  
Spider Mount Medium: 2.0 / Spider Mount Large: 2.8

### Options <sup>16</sup>

F=Single Fuse (120, 277 or 347V)  
FF=Double Fused (208, 240 or 480V)  
EM=Quartz Restrike with Delay (Hot Restrike Only)  
Q=Quartz Restrike (Hot Restrike Only)  
R=NEMA Twistlock Photocontrol Receptacle  
HS=House Side Shield <sup>17</sup>  
VS=Vandal Shield <sup>18</sup>  
L=Lamp Included

### Accessories <sup>19</sup>

MA1061=House Side Shield—Medium Housing (Field Installed)  
MA1062=House Side Shield—Large Housing (Field Installed)  
OA/RA1016=Photocontrol—Multi-Tap  
OA/RA1027=Photocontrol—480V  
OA1201=NEMA Twistlock Photocontrol—347V  
MA1025XX=14" Arm for Square Pole. 1.0 EPA  
MA1026XX=6" Arm for Square Pole. 0.5 EPA  
MA1027XX=14" Arm for Round Pole. 1.0 EPA  
MA1028XX=6" Arm for Round Pole. 0.5 EPA  
MA1029XX=Wall Mount Bracket with 10" Arm  
MA1010XX=Single-Arm Tenon Adapter for 3 1/2" O.D. Tenon  
MA1011XX=2 @ 180° Tenon Adapter for 3 1/2" O.D. Tenon  
MA1012XX=3 @ 120° Tenon Adapter for 3 1/2" O.D. Tenon  
MA1013XX=4 @ 90° Tenon Adapter for 3 1/2" O.D. Tenon  
MA1014XX=2 @ 90° Tenon Adapter for 3 1/2" O.D. Tenon  
MA1015XX=2 @ 120° Tenon Adapter for 3 1/2" O.D. Tenon  
MA1016XX=3 @ 90° Tenon Adapter for 3 1/2" O.D. Tenon  
MA1017XX=Single-Arm Tenon Adapter for 2 3/8" O.D. Tenon <sup>12</sup>  
MA1018XX=2 @ 180° Tenon Adapter for 2 3/8" O.D. Tenon <sup>12</sup>  
MA1019XX=3 @ 120° Tenon Adapter for 2 3/8" O.D. Tenon <sup>12</sup>  
MA1045XX=4 @ 90° Tenon Adapter for 2 3/8" O.D. Tenon <sup>12</sup>  
MA1048XX=2 @ 90° Tenon Adapter for 2 3/8" O.D. Tenon <sup>12</sup>  
MA1049XX=3 @ 90° Tenon Adapter for 2 3/8" O.D. Tenon <sup>12</sup>

**NOTES:** 1 Arm not included. See Accessories. 2 Arm length varies based on housing size: 11-1/2" for GRM and 14" for GRL. 3 150W medium-base socket. 175W-1000W mogul-base. 4 Pulse Start Metal Halide only. 5 Requires reduced envelope ED-28 lamp when used with GRM housing and flat glass vertically lamped optics. 6 1000W in GRM housing requires reduced envelope BT-37 lamp. 7 Only available in 250-400W Pulse Start Metal Halide and vertical optics. Must specify E1 or E2 voltage. 8 Provides 0-10V DC low voltage, leads used in dimming control. 9 Product also available in non-US voltages and 50Hz for international markets. Consult factory for availability and ordering information. 10 Multi-Tap ballast is 120/208/240/277V wired 277V. Triple-Tap ballast is 120/277/347V wired 347V. 11 250W only. 12 Medium housing fixture only. 13 RW optic not available with flat glass. 14 1000W GRL with flat glass requires BT-37 lamp and is not available in AS, RW or 3V distributions. 15 Other finish colors available, including a full line of RAL color matches. Consult your Cooper Lighting Representative. 16 Add as suffix in the order shown. 17 House side shield available on 2F, 3F, FT and all vertically lamped distributions when combined with sag glass. 18 Arm mount only, 400W Maximum. 19 Order separately, replace XX with color suffix. 20 Specifications and dimensions subject to change without notice.